



Glider Compact 330AX
Art. 9670908-xx

Remark: "xx" stands for customer and country variants.
The basic product number is before the hyphen.

EN Operator's manual
Electric Lawnmower

FLYMO Electric Lawnmower Glider Compact 330AX

1. SAFETY	2
2. ASSEMBLY	5
3. OPERATION	6
4. MAINTENANCE	8
5. STORAGE	9
6. TROUBLESHOOTING	10
7. TECHNICAL DATA	12
8. ACCESSORIES	12
9. SERVICE/WARRANTY	13

Original instructions.



This product may be used under supervision, or if instruction regarding the safe use of the product has been provided and the resulting dangers have been understood, by children aged 8 and above, as well as by persons with physical, sensory or mental disabilities or a lack of experience and knowledge. Chil-

dren must not be allowed to play with the product. Cleaning and user maintenance must not be performed by children without supervision. The use of this product by young people under the age of 16 is not recommended.

Intended use:

The **FLYMO Electric Lawnmower** is used to cut lawn in private domestic gardens and allotments.

The product is not intended for long term use.



WARNING! Risk of injury!

Do not use the product to cut bushes, hedges, shrubs, to cut of climbers or grass on roofs or balcony boxes, to chop up branches, twigs and to level irregularities in the soil. Do not use the product on a slope steeper than 20° maximum.

1. SAFETY

IMPORTANT!

Read the operator's manual carefully before use and keep for future reference.

Symbols on the product:



CAUTION!

If not used properly this product can be dangerous. The warnings and safety instructions must be followed to ensure reasonable safety and efficiency in using this product. The operator is responsible for following the warnings and instructions in this manual and on the product. Never use the product unless the guards provided by the manufacturer are in the correct position. Careless or incorrect use of this product can result in injury to the user or others. Read and understand the content of the operator's manual. Keep the manual for future reference.



Read operator's manual.



Keep other persons away.



Beware of sharp blades. Blades continue to rotate after the engine is switched off.

Disconnect the mains cable before you do maintenance or if the cable becomes damaged or cut.



Keep the mains cable away from the cutting blades.

General safety instructions

Electrical safety



WARNING! Electric shock!

Risk of injury due to electric shock.

→ The product must be supplied through a residual current device (RCD) having a rated residual operating current not exceeding 30 mA.



WARNING! Electric shock!

Risk of injury due to electric shock.

Disconnect the product from the mains before you do maintenance or you replace parts. Thereby the disconnected socket must be in the visual range.

Cables

If extension cables are used, these must comply with the minimum cross-sections in the table below:

Voltage	Cable length	Cross section
220 – 240 V / 50 Hz	Up to 40 m	1.0 mm ²
220 – 240 V / 50 Hz	Up to 60 m	1.5 mm ²
220 – 240 V / 50 Hz	Max. 100 m	2.5 mm ²

Minimum rating:

1.0 mm² size cable, 10 amps 250 volts AC.

Your product is supplied with cable wired directly into the product.

1. If the supply cord is damaged, it must be replaced by your local Husqvarna UK Ltd. Approved Service Centre or similarly qualified persons in order to avoid a hazard.
2. Flymo Extension Cables are available from your local Husqvarna UK Ltd. Approved Service Centre.
3. Do not wire an extension cable directly to your product yourself. Please contact your local Husqvarna UK Ltd. Approved Service Centre for further information on the connectors and kits available.
4. Only use extension cables specifically designed for outdoor use and which conform to one of the following specifications: Ordinary rubber (60245 IEC 53), Ordinary PVC (60227 IEC 53) or Ordinary PCP (60245 IEC 57).

Connectors – Important

- Flymo connectors are suitable for use with 2 core cable only. Under no circumstances should these connectors be used for earthed products.
- All Flymo connectors and cables are of splashproof construction. They are not waterproof and must not be left outside permanently nor should they be submerged or immersed in water. Do not let cable lay or trail through pools of water or splashed with water from hose pipes.

Mains plug replacement – Important

- **If the plug supplied is cut off it should be destroyed. There is an electric shock hazard if a cut off plug is inserted into a 13 amp socket.**
1. No earth required. Flymo products are double insulated to EN60335 and under no circumstances should an earth be connected to any part of the product.
 2. **Ensure the mains voltage suits your product.**
 3. **Important!** The wires in the mains lead are coloured in accordance with the following code:
BLUE – NEUTRAL; BROWN – LIVE.
The wire which is coloured BLUE must be connected to the Terminal which is marked with the letter 'N' or coloured BLACK. The wire which is coloured BROWN must be connected to the Terminal which is marked with the letter 'L' or coloured RED.
 4. It is important that the outer sheath is clamped correctly into the 3-pin plug.
 5. If in doubt consult your local Service Repairer or qualified electrician before the machine is used.

6. A 13 Amp fuse must be fitted to the Mains Plug.

7. The normal plug fuse and household fuse only protect the electrical equipment and are not a safeguard against electrocution.

Training

1. Read the instructions carefully. Be familiar with the controls and the correct use of the machine.
2. Never allow children or people unfamiliar with these instructions to use the machine. Local regulations can restrict the age of the operator.
3. Never operate the machine while people, especially children, or pets are nearby.
4. Keep in mind that the operator or user is responsible for accidents or hazards occurring to other people or their property.

Preparation

1. While operating the machine always wear substantial footwear and long trousers. Do not operate the machine when barefoot or wearing open sandals. Avoid wearing clothing that is loose fitting or that hanging cords or ties.
2. Thoroughly inspect the area where the machine is to be used and remove all objects which can be thrown by the machine.
3. Before using, always visually inspect to see that the blade, blade bolt and the blade assembly are not worn or damaged. Replace worn or damaged components in set to preserve balance. Replace damaged or unreadable labels.
4. Before use check the supply and extension cord for signs of damage or ageing. If the cord becomes damaged during use, disconnect the cord from the supply immediately. **DO NOT TOUCH THE CORD BEFORE DISCONNECTING THE SUPPLY.** Do not use the machine if the cord is damaged or worn.

Operation

1. Operate the machine only in daylight or in good artificial light.
2. Avoid operating the machine in wet grass.
3. Always be sure of your footing on slopes.
4. Walk, never run.
5. Mow across the face of slopes, never up and down.
6. Exercise extreme caution when changing direction on slopes.
7. Do not mow excessively steep slopes.
8. Use extreme caution when reversing or pulling the machine towards you.
9. Stop the blade(s) if the machine has to be tilted for transportation when crossing surfaces other than grass, and when transporting the machine to and from area to be used.
10. Never operate the machine with defective guards or shields, or without safety devices, for example deflectors and/or grass collector, in place.
11. Switch on the motor carefully according to instructions and with feet well away from the blade(s).
12. Do not tilt the machine when switching on the motor, except if the machine has to be tilted for starting. In

this case, do not tilt it more than absolutely necessary and lift only the part, which is away from the operator.

13. Do not start the machine when standing in front of the discharge opening.
14. Do not put hands or feet near or under rotating parts. Keep clear of the discharge opening at all times.
15. Do not transport the machine while the power source is running.
16. Stop the machine, and remove the plug from the socket. Make sure that all moving parts have come to a complete stop
 - whenever you leave the machine,
 - before clearing blockages or unclogging chute,
 - before checking, cleaning or working on the machine,
 - after striking a foreign object. Inspect the machine for damage and make repairs before restarting and operating the machine;if the machine starts to vibrate abnormally (check immediately)
 - inspect for damage,
 - replace or repair any damaged parts,
 - check for and tighten any loose parts.

Maintenance and storage

1. Keep all nuts, bolts, and screws tight to be sure the machine is in safe working condition.
2. Check the grass collector frequently for wear or deterioration.
3. On machines with multi blade, take care as rotating one blade can cause other blades rotate.
4. Be careful during adjustment of the machine to prevent entrapment of the fingers between moving blades and fixed parts of the machine.
5. Always allow the machine to cool down before storing.
6. When servicing the blades be aware that, even though the power source is switched off, the blades can still be moved.
7. Replace worn or damaged parts for safety. Use only genuine replacement parts and accessories.

Additional safety instructions

Electrical safety



WARNING! Cardiac arrest!

This product makes an electromagnetic field while it operates. This field may under some conditions interfere with active or passive medical implants. To decrease the risk of conditions that can possibly injure or kill, we recommend persons with medical implants to speak with their physician and the medical implant manufacturer before you operate the product.

Before use, examine the cable for signs of damage or ageing. If the cable is found to be defective, take the product to an Authorised Service Centre and have the cable replaced.

Do not use the product if the electric cables are damaged or worn.

Immediately disconnect from the mains if the cable is cut, or the insulation is damaged. Do not touch the electric cable until the cable has been disconnected. Do not repair a cut or damaged cable. Replace it with a new one.

The extension cable must be uncoiled. Coiled cables can overheat and reduce the efficiency of your mower.

Keep the extension cable away from product, always work away from the power point mowing up and down, never in circles.

Do not pull cable around sharp objects.

Always switch off at the mains before disconnecting any plug, cable connector or extension cable.

Stop the engine, disconnect the mains and examine the cable for damage or ageing before you wind the cable for storage. Do not repair a damaged cable, replace it with a new one. Use only genuine replacement cable.

Always wind the cable carefully, avoid kinking.

Do not carry the product by the cable.

Do not pull on the cable to disconnect any of the plugs.

Use only on AC mains supply voltage shown on the product rating label.

Our products are double insulated to EN60335. Do not connect an earth to any part of the product.

Check the working area for hidden cables.

Do not use for pond care or close to water.

Personal safety



WARNING! Risk of suffocation!

Small parts can be easily swallowed. There is also a risk that the polybag can suffocate toddlers. Keep toddlers away when you assemble the product.

Do not use in explosive atmosphere.

Do not operate the product when you are tired, ill or under the influence of alcohol, drugs or medicine or you exhausted.

Do not overload the mower.

Use gloves, wear slip resistant shoes and wear eye protection.

Do not use under wet conditions.

Do not use on wet grass.

Do not disassemble the product further than the delivery status.

Only start the mower with an upright standed handle.

Do not use the start levers alternately.

Use the handles carefully.

Safety Cut-Out

The engine is protected by a Safety Cut-Out which is activated when the blade becomes jammed or if the engine is overloaded. When this occurs, stop and disconnect the product from the mains. The Safety Cut-Out will only reset when you release the start/stop lever. Clear any obstruction and wait for a few minutes for the Safety Cut-Out to reset before you continue to use the product.

2. ASSEMBLY



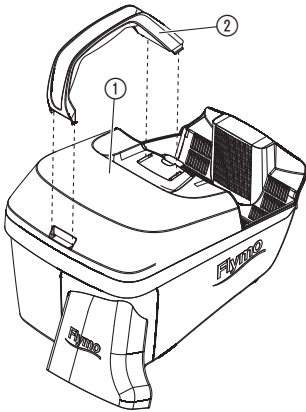
WARNING! Risk of physical injury!

Cut injury when the blade turns or the product starts accidentally.

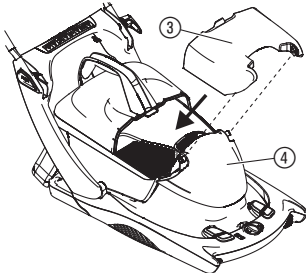
→ **Wait for the blade to stop, disconnect the product from the mains and use gloves before you do assembly.**

To assemble the grass box:

1. Push the grass box handle ② into the grass box cover ① until the connections click.

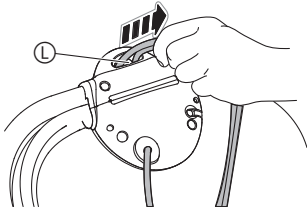


2. Put the grass box lid ③ in the mower body ④.

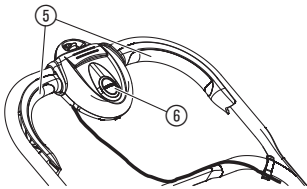


3. OPERATION

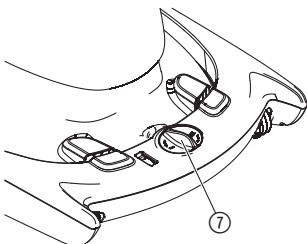
To connect the mower:



To start the mower:



To adjust the cutting height:



WARNING! Risk of physical injury!

Cut injury when the blade turns or the product starts accidentally.

→ Wait for the blade to stop, disconnect the product from the mains and use gloves before you connect or transport the product.



WARNING! Risk of electric shock!

To avoid damage to the mains cable, the mains cable must be inserted into the cable lock (L).

→ Before you operate insert the mains cable into the cable lock (L).

1. Loop the mains cable, insert the loop into the cable lock (L) and pull tight.
2. Connect the mains cable into a 230 V mains socket.



WARNING! Risk of physical injury!

Risk of injury if the product does not stop when you release the start lever.

→ Do not bypass the safety devices or switches. For example do not attach the start lever (5) to the handle.

To start:

The product is fitted with a two-handed safety device (start lever (5) with safety interlock (6)) to prevent the product from being turned on by accident.

There are two start levers (5) fitted. Either one have to be used to start.

1. Connect the mains cable into a 230 V mains socket.
2. Push the safety interlock (6) with one hand and pull the start lever (5) with the other hand.
3. Release the safety interlock (6).
The product will start.

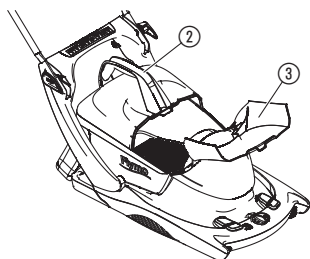
To stop:

→ Release the start lever (5).

The cutting height can be adjusted from 12 to 32 mm in 4 positions.

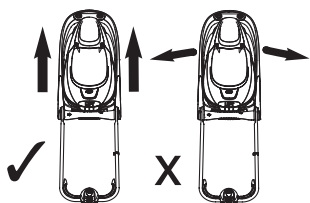
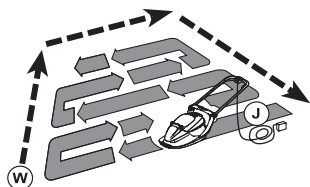
1. Turn the adjust knob (7) counterclockwise to lower the cutting height.
2. Turn the adjust knob (7) clockwise to increase the cutting height.

To use the mower with the grass box:



To use the mower without the grass box:

Tips to use the mower:



WARNING! Risk of physical injury!

Cut injury when the blade turns or the product starts accidentally.

→ **Wait for the blade to stop, disconnect the product from the mains and use gloves before you put / remove the grass box.**

→ **Do not put your hands in the discharge opening.**

1. Open the lid ③.
2. Put the grass box into the product by the handle ②.
3. Close the lid ③.
4. Make sure that the grass box is securely connected.
5. Start the product.
The transparent lid ③ shows the filling level of the grass box.
6. Stop the product when the grass box is filled completely.
7. Open the lid ③.
8. Remove the grass box of the product by the handle ②.
9. Empty the grass box.

For larger areas of grass where grass collection is not required you can use the product without the grass box. The cut grass drop on the lawn.

1. Open the lid ③.
2. Remove the grass box of the product by the handle ②.
3. Close the lid ③.

1. Mow twice a week during the growing season. The lawn will suffer if more than a third of its length is cut at one time and this may also result in poor collection.
2. For the best results mow the outside edge of the lawn in a clockwise direction first.
3. Start to mow the edge of the lawn nearest to the power point. So the cable is laid out on the lawn you have already cut.
4. For best grass collection always mow in a straight line. Do not swing the lawnmower from side to side.
5. For the best cutting results mow in straight lines with an overlap of approximately 8 – 10 cm on each pass with the mower.
6. Do Not overload the mower.

To mow long thick grass may cause the motor speed to drop and you will hear a change in the motor sound. If the motor speed drops you may overload the mower which may cause damage. When you mow in long thick grass a first cut with the cutting height set higher will help reduce the load. See adjusting the cutting height.

4. MAINTENANCE



WARNING! Risk of physical injury!

Cut injury when the blade turns or the product starts accidentally.

→ Wait for the blade to stop, disconnect the product from the mains and use gloves before you do maintenance.

To clean the product:

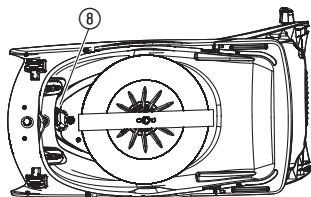


WARNING! Electric shock!

Risk of injury and risk of damage to the product.

→ Do not clean the product with water or with a water jet (in particular high-pressure water jet).

To clean the underside of the product:



The underside is easiest to clean after you mowed.

Use gloves.

1. Lay the product on its side carefully.
2. Clean the underside, the blade and the airflow slots ⑧ with a brush (do not use sharp objects).

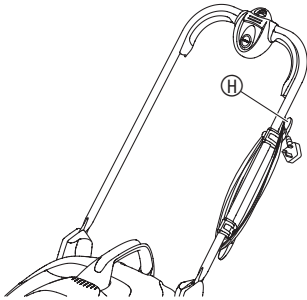
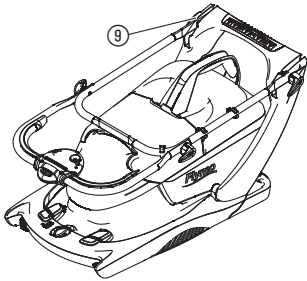
To clean the overside of the product and the grass box:

Do not clean with chemicals including petrol or solvents. Some can destroy critical plastic parts.

1. Clean the overside with a damp cloth.
2. Clean the air intakes and the grass box with a soft brush (do not use sharp objects).

5. STORAGE

To put into storage:



Disposal:
(in accordance with
RL2012/19/EC/
S.I. 2013 No. 3113)

The product must be stored away from children.

1. Disconnect the product from the mains.
2. Clean the product (see Maintenance).
3. To save space, push the push button ⑨ until the joints can be folded together easily.
4. Wind the cable around the cable hooks (To release the cable pull the hook ⑧ away from the handle).
5. Store the product in a dry, enclosed and secure place.

The product must not be disposed of to normal household waste. It must be disposed of in line with local environmental regulations.

IMPORTANT!

→ Dispose of the product through or via your municipal recycling collection centre.

6. TROUBLESHOOTING

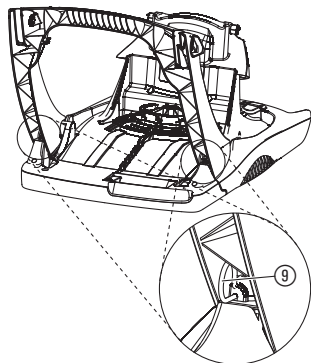


WARNING! Risk of physical injury!

Cut injury when the blade turns or the product starts accidentally.

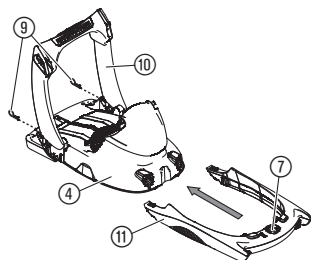
→ **Wait for the blade to stop, disconnect the product from the mains and use gloves before you do troubleshooting.**

To clean the bumper:



Clean the bumper when the adjust knob (7) locks.

1. Remove the 2 R-clips (9) of the handle locks on both sides.
2. Turn the adjust knob (7) to level 1.
3. Tilt the lower handle (10) forward.
4. Remove the bumper (11) of the mower body (4).
5. Clean the bumper (11).
6. Assemble the bumper (see Assembly).



To replace the blade:



WARNING! Risk of physical injury!

Cut injury when the blade turns and it is damaged, bent, out of balance or has chipped edges.

→ **Do not use the product when the blade is damaged, bent, out of balance or has chipped edges.**

→ **Do not regrind the blade.**

The FLYMO spare parts are available from your FLYMO dealer or from the FLYMO service.

Only use an original FLYMO blade:

- **FLYMO replacement blade reference no. FLY070.**
Part no. 5898064-90.

→ Let the blade replace by the FLYMO Service or a specialist dealer authorised by FLYMO.

Problem	Possible Cause	Remedy
Engine does not start	Extension cable is disconnected or damaged.	→ Connect the extension cable or if necessary replace it.
	Blade is blocked.	→ Remove the obstacle.
Engine is jammed and makes a noise	Blade is blocked.	→ Remove the obstacle.
	Cutting height is too low.	→ Raise the cutting height.
Loud noises, the mower is rattling	Screws on engine, its fixing or on the mower chasing are loose.	→ Have screws tightened by an authorised specialist dealer or the FLYMO Service.
Mower runs unevenly or vibrates strongly	Blade is damaged or the blade mounting is released.	→ Have blade tightened or replaced by an authorised specialist dealer or the FLYMO Service.
	Blade is very dirty.	→ Clean the mower (see 4. MAINTENANCE). If this does not rectify the problem, contact the FLYMO Service.
The adjust knob is locked	The bumper is dirty.	→ Clean the bumper.
Poor grass collection	Lid is not correct in place.	→ Put the lid correct on the grass box.
	Airflow slots are dirty.	→ Clean the mower (see 4. MAINTENANCE).
Lawn is not cleanly cut.	Blade is blunt or damaged.	→ Have blade replaced by the FLYMO Service.
	Cutting height is too low.	→ Raise the cutting height.



For any other malfunctions please contact the Husqvarna UK Ltd. Customer Service. Repairs must only be done by Husqvarna UK Ltd. service departments or specialist dealers approved by FLYMO.

7. TECHNICAL DATA

<i>Electric Lawnmower</i>	Unit	Value (330AX) 9670908-xx
Rated Power	W	1700
Mains voltage	V	230
Mains frequency	Hz	50
Speed of rotation cutting blade	R/min.	4200
Cutting width	cm	33
Cutting height adjustment (4 positions)	mm	12 – 32
Volume of grass box	l	22
Weight	kg	10.5
Sound pressure level L_{pA}¹⁾ Uncertainty k_{pA}	dB (A)	89 3
Sound power level L_{WA}²⁾: measured/guaranteed Uncertainty k_{WA}	dB (A)	93 / 94 1.0
Hand/arm vibration a_{vhw}¹⁾ Uncertainty k_{vhw}	m/s ²	< 2.5 1.5

Measuring process complying with: ¹⁾ EN 60335-2-77 ²⁾ RL 2000/14/EC/S.I. 2001 No.1701



NOTE: The stated vibration emission value has been measured according to a standardized test procedure and can be used for comparison of one electric power tool with another. It can also be used for preliminary evaluation of exposure. The vibration emission value can vary during actual use of the electric power tool.

8. ACCESSORIES

FLYMO replacement blade

As replacement for blunt blade.

**Reference no. FLY070
Part no. 5898064-90**

9. SERVICE/WARRANTY

Service:

Please contact the address on the back page.

Warranty statement:

In the event of a warranty claim, no charge is levied to you for the services provided.

Husqvarna UK Ltd. grants a warranty for all original FLYMO new products for two years from the date of original purchase from the retailer, provided that the devices have been for private use only. This manufacturer's warranty does not apply to products acquired second hand. This warranty includes all significant defects of the product that can be proved to be material or manufacturing faults. This warranty is fulfilled by supplying a fully functional replacement product or by repairing the faulty product sent to us free of charge; we reserve the right to choose between these options. This service is subject to the following provisions:

- The product has been used for its intended purpose as per the recommendations in the operating instructions.
- Neither the purchaser nor a third party has attempted to open or repair the product.
- Only Original FLYMO replacement parts and wear parts have been used for operation.
- Presentation of the receipt.

Normal wear and tear of parts and components (such as blades, blade fixing parts, turbines, light bulbs, V-belts/ toothed belts, impellers, air filters, spark plugs), visual changes, wear parts and consumables are excluded from the warranty.

This manufacturer's warranty is limited to replacement and repair of products in accordance with the abovementioned conditions. The manufacturer's warranty does not constitute an entitlement to lodge other claims against us as a manufacturer, such as for damages. This manufacturer's warranty does **not**, of course, affect statutory and contractual warranty claims against the dealer/retailer.

The manufacturer's warranty is governed by the law of the Federal Republic of Germany.

In case of a warranty claim, please return the faulty product, together with a copy of the receipt and a description of the fault, with postage paid to the service address.

Consumables:

The blade is a consumable and is not included in the warranty.

PRODUCT LIABILITY

In accordance with the German Product Liability Act, we hereby expressly declare that we accept no liability for damage incurred from our products where said products have not been properly repaired by a FLYMO-approved service partner or where original FLYMO parts or parts authorised by FLYMO were not used.

EC DECLARATION OF CONFORMITY

The undersigned hereby certifies as the authorised representative of the manufacturer, Husqvarna AB, 561 82 Huskvarna, Sweden, that, when leaving our factory, the unit(s) indicated below is/are in

accordance with the harmonised EU guidelines, EU standards of safety and product specific standards. This certificate becomes void if the unit(s) is/are modified without our approval.

Description of the product:	Hover mower Glider Compact
Product type	330AX
Article-Number	9670908-xx
CE-Directives	2006/42/EC 2014/30/EU 2011/65/EU 2000/14/EC
Harmonised EN	EN ISO 12100 EN 60335-1 EN 60335-2-77
Deposited Documentation	GARDENA Technical Documentation, M. Jäger, Hans-Lorensen-Str. 40, 89079 Ulm
Conformity Assessment according to	2000/14/EG Procedure: Art. 14 Annex VI
Noise level: measured / guaranteed	93 dB (A)/94 dB (A)

Ulm, 09.09.2021

Authorised representative:



Reinhard Pompe
Vice President
Products



Wolfgang Engelhardt
Vice President
Supply Chain

UKCA Declaration of Conformity

The manufacturer:
Husqvarna AB SE 561 82 Huskvarna, Sweden
hereby certifies, when leaving our factory, the
unit(s) indicated below is/are in accordance with

the UK Regulations, designated standards of safety
and product specific designated standards. This
certificate becomes void if the units are modified
without our approval.

Description of the product:	Hover mower Glider Compact
Product type:	330AX
Article number:	9670908-xx
UK regulations:	S.I. 2008/1597 S.I. 2016/1091 S.I. 2012/3032 S.I. 2001/1701
Designated standards:	EN ISO 12100 EN 60335-1 EN 60335-2-77
Authorised Representative:	Husqvarna UK Limited
Deposited Documentation:	Preston Road, Aycliffe, County Durham UK DL5 6UP
Noise level: measured / guaranteed	93 dB(A) / 94 dB(A)
Conformity Assessment according to:	According to S.I. 2001/1701 Art. 11 Schedule 9
Aycliffe, 09.09.2021 Authorised Representative:	 John Thompson Director

Serviceaddress and Importer to

Great Britain

Husqvarna UK Ltd
Preston Road
Aycliffe Industrial Park
Newton Aycliffe
County Durham
DL5 6UP
Phone:+44 (0) 344 8444558
customer.services@husqvarna.co.uk

11330-85.960.01/0921
Husqvarna AB
S-561 82 Huskvarna
Sweden

Our policy of continuous improvement means that the specification of products may be altered from time to time without prior notice.
Copyright © 2021 Flymo S.A. All rights reserved.
Flymo® and other product and feature names are registered or unregistered trademarks of Flymo S.A.

