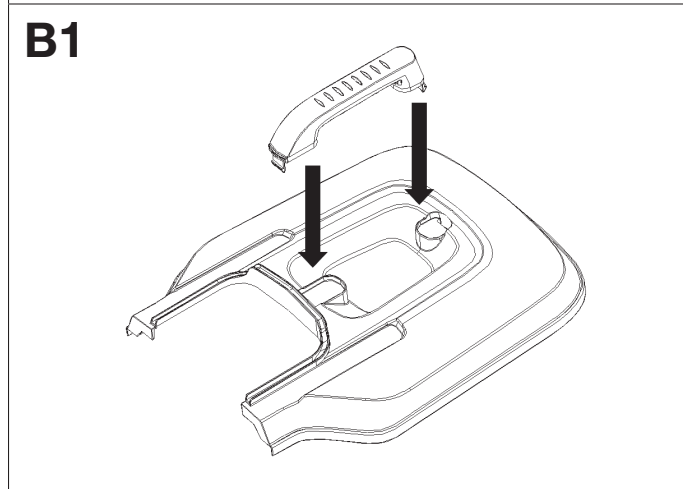
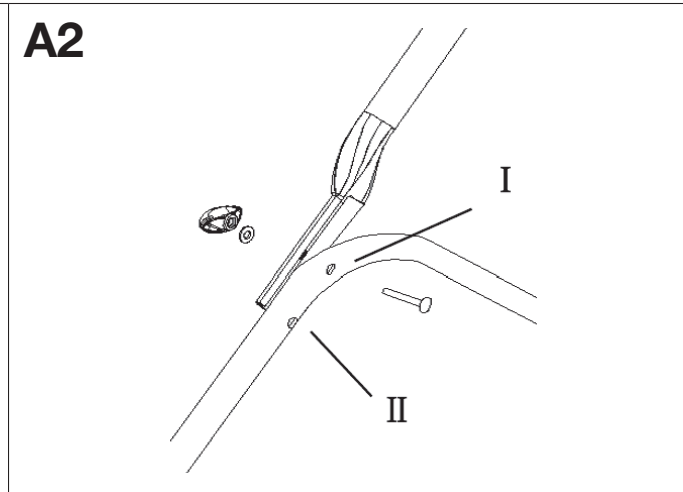
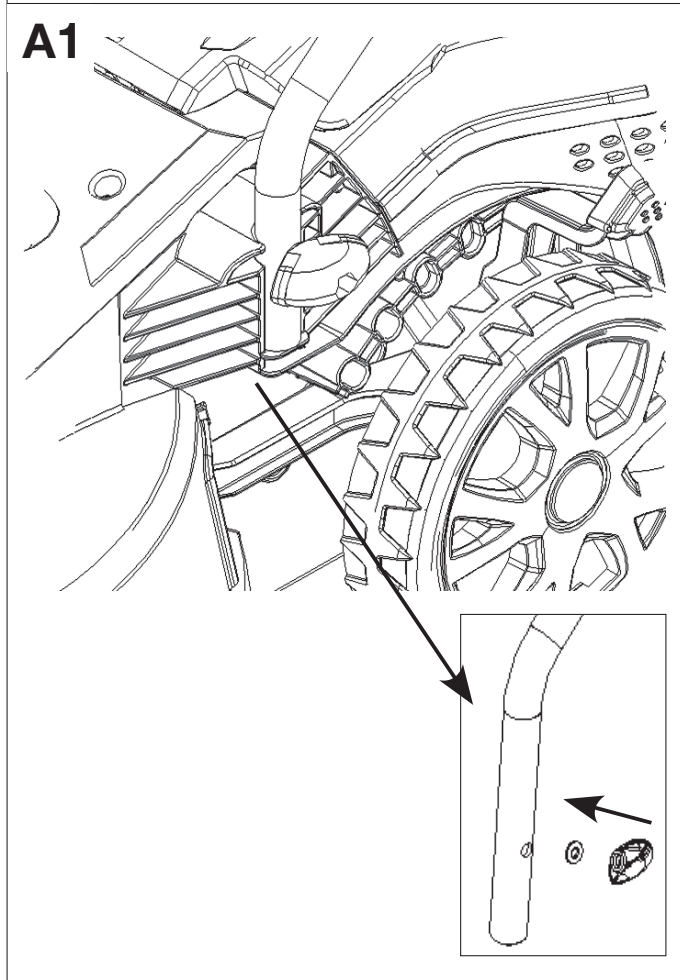
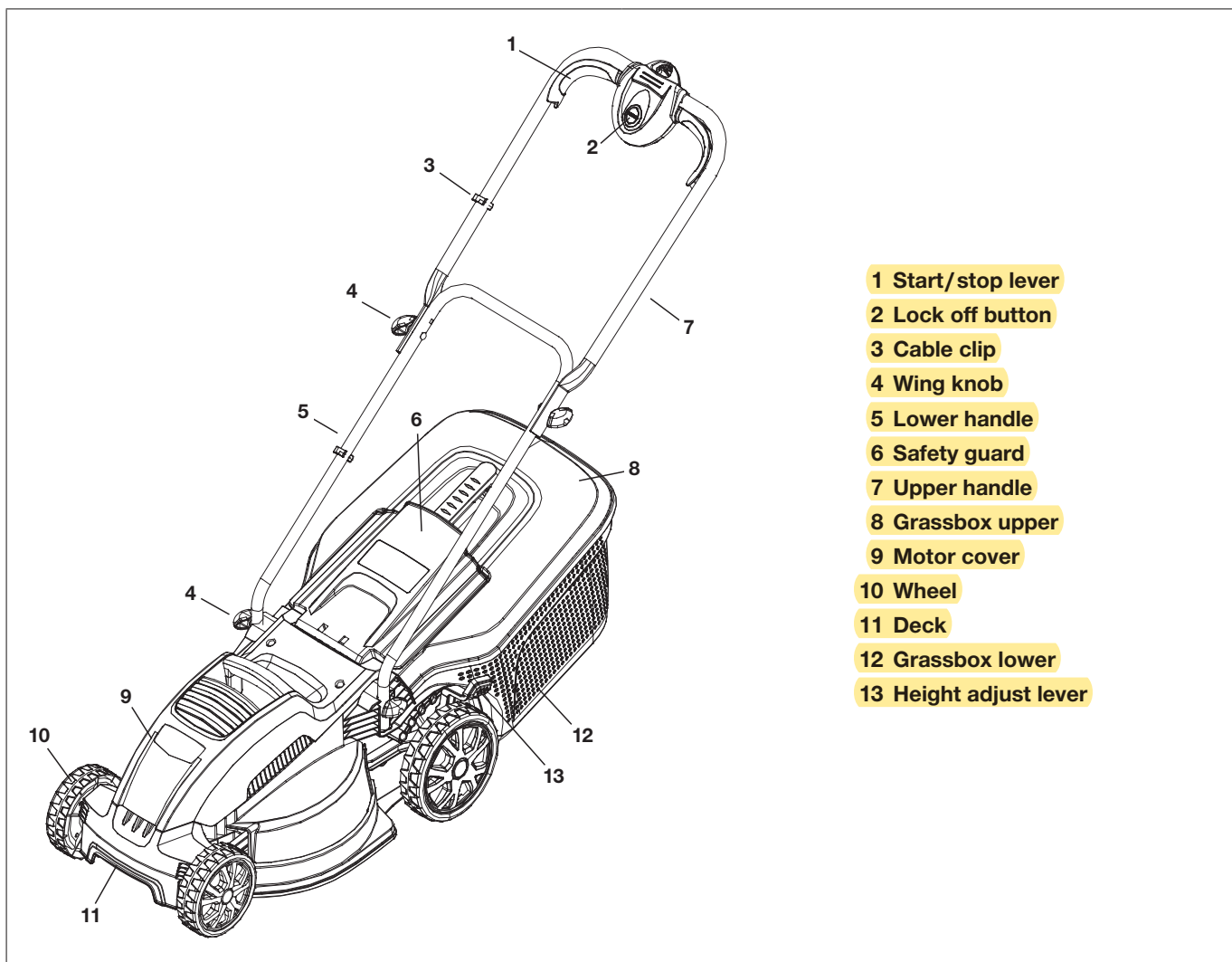


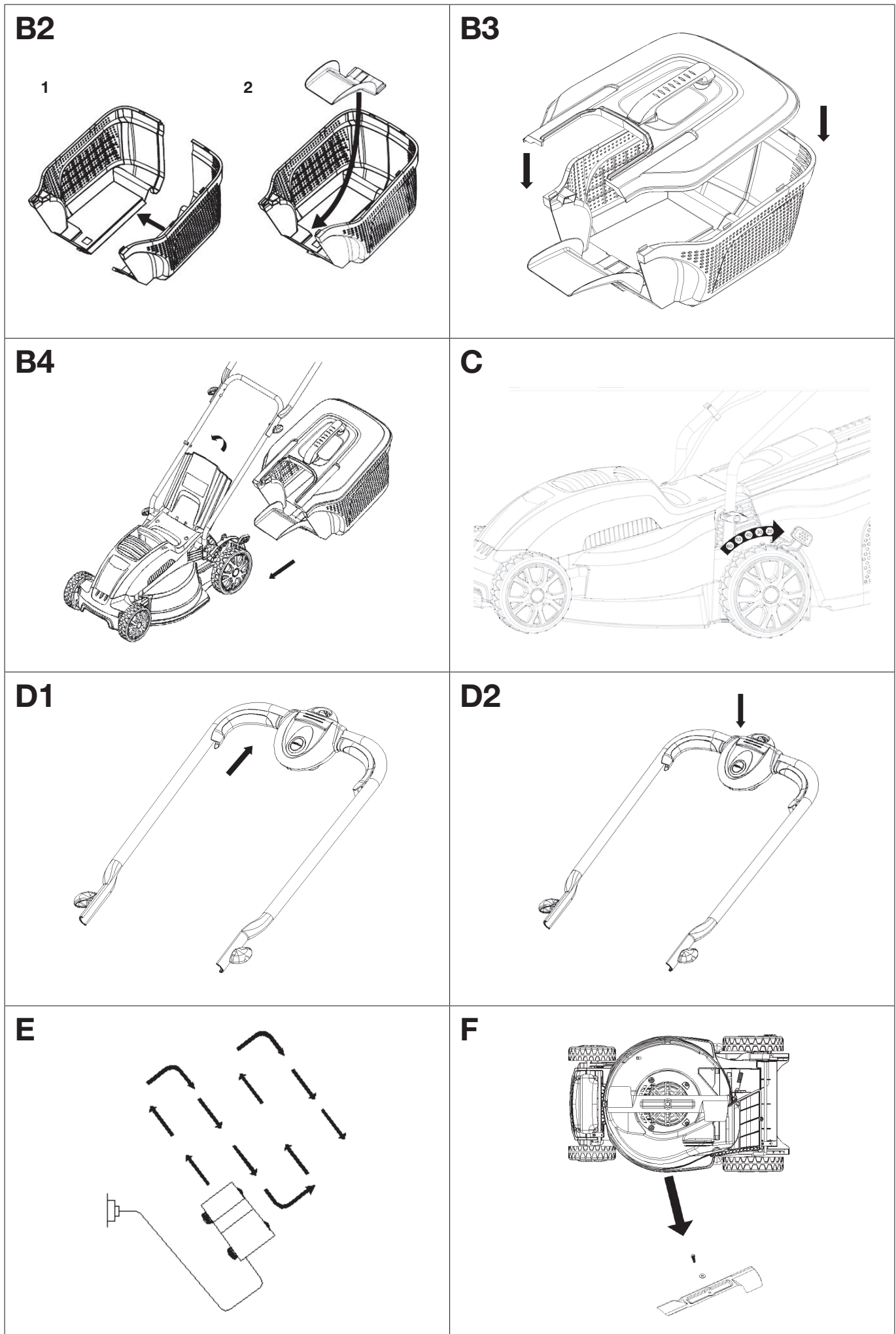
Speedi-Mo 360C

9676634-xx

Remark: "xx" stands for customer and country variants.
The basic product number is before the hyphen.

EN Operator's manual
Electric Rotary Lawnmower





EN Electric Rotary Lawnmower

1. SAFETY	4
2. ASSEMBLY	5
3. OPERATION	5
4. MAINTENANCE	5
5. STORAGE	6
6. TROUBLESHOOTING	6
7. TECHNICAL DATA	6
8. ACCESSORIES	6
9. SERVICE/WARRANTY	6

Original instructions.



This product is not intended for use by persons (including children) with reduced physical, sensory or mental capabilities, or lack of experience and knowledge, unless they have been given supervision or instruction concerning use of the product by a person responsible for their safety. Children should be supervised to ensure that they do not play with the product. The use of this product by young people under the age of 16 is not recommended.

Intended use:

The **FLYMO Lawnmower** is intended to mow lawn in private domestic gardens and allotments.

The product is not intended for long term use.



DANGER! Risk of injury!

→ Do not use the product to cut bushes, hedges, shrubs, to cut of climbers or grass on roofs or balcony boxes, to chop up branches, twigs and to level irregularities in the soil. Do not use the product on a slope steeper than 20° maximum.

1. SAFETY

Important! Read the operator's manual carefully before use and keep for future reference.

Symbols on the product:



Read operator's manual.



Keep bystanders away.



Beware of sharp blades. Blades continue to rotate after the motor is switched off.

Remove plug from mains before maintenance.



Not valid for the electric mower.



Secure the working area before starting to work. Watch out for hidden cables.

General safety warnings

Electrical safety



DANGER! Electric shock!

Risk of injury due to electric shock.

→ The product must be supplied through a residual current device (RCD) having a rated residual operating current not exceeding 30 mA.



DANGER! Risk of physical injury!

Cut injury when the blade turns or the product starts accidentally.

→ Disconnect the product from the mains before you maintain or replace parts. Thereby the disconnected socket must be in the visual range.

Cables

If extension cables are used, these must comply with the minimum cross-sections in the table below:

Voltage	Cable length	Cross section
220 – 240 V/50 Hz	Up to 20 m	1.5 mm ²
220 – 240 V/50 Hz	20 – 50 m	2.5 mm ²

- Mains cables and extensions are available from your local Approved Service Centre.
- Only use extension cables specifically designed for outdoor use and which conform to one of the following specifications:
Ordinary rubber (60245 IEC 53), Ordinary PVC (60227 IEC 53) or Ordinary PCP (60245 IEC 57).
- If the connection lead is damaged, it must be replaced by the manufacturer, its service agent or similarly qualified persons in order to avoid a hazard.

Training

- Read the instructions carefully. Be familiar with the controls and the correct use of the machine.
- Never allow children or people unfamiliar with these instructions to use the machine. Local regulations can restrict the age of the operator.
- Never operate the machine while people, especially children, or pets are nearby.
- Keep in mind that the operator or user is responsible for accidents or hazards occurring to other people or their property.

Preparation

- While operating the machine always wear substantial footwear and long trousers. Do not operate the machine when barefoot or wearing open sandals. Avoid wearing clothing that is loose fitting or that hanging cords or ties.
- Thoroughly inspect the area where the machine is to be used and remove all objects which can be thrown by the machine.
- Before using, always visually inspect to see that the blade, blade bolt and the blade assembly are not worn or damaged. Replace worn or damaged components in set to preserve balance. Replace damaged or unreadable labels.
- Before use check the supply and extension cord for signs of damage or aging. If the cord becomes damaged during use, disconnect the cord from the supply immediately.
DO NOT TOUCH THE CORD BEFORE DISCONNECTING THE SUPPLY.
Do not use the machine if the cord is damaged or worn.

Operation

- Operate the machine only in daylight or in good artificial light.
- Avoid operating the machine in wet grass.
- Always be sure of your footing on slopes.
- Walk, never run.
- Mow across the face of slopes, never up and down.
- Exercise extreme caution when changing direction on slopes.
- Do not mow excessively steep slopes.
- Use extreme caution when reversing or pulling the machine towards you.
- Stop the blade(s) if the machine has to be tilted for transportation when crossing surfaces other than grass, and when transporting the machine to and from area to be used.
- Never operate the machine with defective guards or shields, or without safety devices, for example deflectors and/or grass collector, in place.
- Switch on the motor carefully according to instructions and with feet well away from the blade(s).
- Do not tilt the machine when switching on the motor, except if the machine has to be tilted for starting. In this case, do not tilt it more than absolutely necessary and lift only the part, which is away from the operator.
- Do not start the machine when standing in front of the discharge opening.
- Do not put hands or feet near or under rotating parts. Keep clear of the discharge opening at all times.
- Do not transport the machine while the power source is running.
- Stop the machine, and remove plug from the socket. Make sure that all moving parts have come to a complete stop:
 - whenever you leave the machine,
 - before clearing blockages or unclogging chute,
 - before checking, cleaning or working on the machine,
 - after striking a foreign object. Inspect the machine for damage and make repairs before restarting and operating the machine;

if the machine starts to vibrate abnormally (check immediately):

inspect for damage,

replace or repair any damaged parts,

check for and tighten any loose parts.

Maintenance and storage

- Keep all nuts, bolts, and screws tight to be sure the machine is in safe working condition.
- Check the grass collector frequently for wear or deterioration.
- Replace worn or damaged parts for safety.
- On machines with multi blade, take care as rotating one blade can cause other blades rotate.
- Be careful during adjustment of the machine to prevent entrapment of the fingers between moving blades and fixed parts of the machine.
- Always allow the machine to cool down before storing.
- When servicing the blades be aware that, even though the power source is switched off, the blades can still be moved.
- Use only genuine replacement parts and accessories.

Additional safety warnings

Electrical safety



DANGER! Cardiac arrest!

This product makes an electromagnetic field while it operates. This field may under some conditions interfere with active or passive medical implants. To decrease the risk of conditions that can possibly injure or kill, we recommend persons with medical implants to speak with their physician and the medical implant manufacturer before you operate the product.

Do not use under wet conditions.

Do not operate in explosive atmospheres, such as in the presence of flammable liquids, gases or dust.

Personal safety



DANGER! Risk of suffocation!

Small parts can be easily swallowed. There is also a risk that the poly-bag can suffocate toddlers. Keep toddlers away when you assemble the product.

Do not disassemble the product further than the delivery status.

Use gloves, wear slip resistant shoes and wear eye protection.

Do not overload the mower.

Never operate the product when you are tired, ill or under the influence of alcohol, drugs, or medicine.

Danger of slipping:

- in wet grass
- on steep slopes
- during transport

Be careful while going backwards.

2. ASSEMBLY



DANGER! Risk of injury!

Cut injury when the product starts accidentally.

→ **Disconnect the product from the mains and use gloves before you assemble the product.**

For further advice or repairs, contact your local dealer.

Assembling the handle:

1. Insert the lower handles into the holes provided in the deck. Secure with the wing knob (Fig. A1).
2. Attach the upper handle to the lower handles with the wing knob (Fig. A2).

The upper handle is height adjustable. The handles can be fixed in position I or II as desired (Fig. A2).

Note: Ensure that the cable clips are used to fix the cable to the handle.

Attach the cable to the cable hook ensuring that sufficient cable slack is available.

Ensure the cables are not trapped when folding and unfolding the top handles. Do not drop the handles.

Assembling the grassbox:

1. Push the grassbox handle into the slots in the grassbox upper until it clicks securely into position (Fig. B1).
2. Connect the two parts of the grassbox together, then install the tongue (Fig. B2).
3. Starting at the rear of the grassbox, install the grassbox cover into the grassbox with the clips. Ensure all clips are correctly located (Fig. B3).
4. Attach the complete grassbox to the lawnmower (Fig. B4).
 - a. Lift the safety guard.
 - b. Make sure the discharge chute is clean and free from debris.
 - c. Install the fully assembled grassbox onto the location points at the rear of the deck as illustrated.
 - d. Place the safety flap on top of the grassbox.

Note: If you do not want to collect the grass, the lawnmower can be used without the grassbox. The safety guard must be in the down position.

Adjusting the cutting height:



WARNING!

Release the lever and wait until the motor stops before adjusting the height. The blades continue to rotate for a few seconds after the machine is switched off. A rotating blade can cause injury.

Adjust the cutting height by moving the height adjustment handle (Fig. C). Five cutting heights are available on this product.

Note: A medium height of cut is recommended for most lawns.

3. OPERATION



DANGER! Risk of injury!

Cut injury when the product starts accidentally.

→ **Wait for the blade to stop, disconnect the product from the mains and use gloves before you adjust or transport the product.**

To start the lawnmower:



DANGER! Risk of injury!

Risk of injury if the product does not stop when you release the start lever.

→ **Do not bypass the safety devices or switches. For example do not attach the start lever to the handle.**

To start:

1. Squeeze the start/stop lever (Fig. D1) towards the handle.
2. Press and hold the safety button (Fig. D2).
3. Release the safety button.



IMPORTANT!

Make sure the blade stops rotating before switching on again. Do not rapidly switch on and off.

To stop:

→ Release the pressure on the start/stop lever.

How to mow:

1. Start mowing the edge of the lawn nearest to the power point so the cable is laid out on the lawn you have already cut (Fig. E).
2. Mow twice a week during the growing season. Your lawn will suffer if more than a third of its length is cut at one time.

DO NOT OVERLOAD YOUR LAWNMOWER.

Mowing long thick grass may cause the motor speed to drop. You will hear a change in the motor sound. If the motor speed drops you may overload your lawnmower which may cause damage. When mowing in long thick grass a first cut with the cutting height set higher will help reduce the load. See *Adjusting the cutting height*.

4. MAINTENANCE



DANGER! Risk of injury!

Cut injury when the product starts accidentally.

→ **Wait for the blade to stop, disconnect the product from the mains and use gloves before you maintain the product.**

Service recommendations:

Your product is uniquely identified by a silver and black product rating label.

We strongly recommend that your product is serviced at least every twelve months, preferably by a professional.

Removing and fitting the blade:

Switch off, wait until the blade has stopped rotating and disconnect from the mains electricity supply BEFORE attempting to remove or fit the blade.

Always handle the blade with care – sharp edges could cause injury.
USE GLOVES.

Removing the blade:

1. To remove the blade bolt, hold the blade firmly with a gloved hand and with a spanner, loosen the blade bolt by turning it anti-clockwise (Fig. F).
2. Remove the blade bolt, washer and blade.
3. Inspect for damage and clean as necessary.

Renew your metal blade after 50 hours mowing or 2 years, whichever is sooner, regardless of condition. If the blade is cracked or damaged replace it with a new one.

To fit the blade:

1. Fit the blade to the shaft with the sharp edges of the blade pointing away from the shaft.
2. Re-assemble blade bolt through the washer and the blade.
3. Hold the blade firmly with a gloved hand and tighten the blade bolt firmly with a spanner. Do not over tighten.

To clean the lawnmower:



DANGER! Risk of injury!

Risk of injury and risk of damage to the product.

→ Do not clean the product with water or with a water jet (in particular high-pressure water jet).

→ Do not clean with chemicals including petrol or solvents. Some can destroy critical plastic parts.



IMPORTANT!

After receiving your lawnmower from the manufacturer, it is very important that you keep your unit clean. Grass clippings left in any of the air intakes or under the deck could become a potential fire hazard.

1. Disconnect lawnmower from the mains electricity supply.
2. Remove grass from under the deck with a brush.
3. Using a soft brush, remove grass clippings from all air intakes, the discharge chute and the grassbox.
4. Using a soft brush, remove grass clippings from the vision window (if equipped).
5. Wipe over the surface of your lawnmower with a dry cloth.

5. STORAGE

To put into storage:

The product must be stored away from children.

Storing your cable:

Your electric cable can be wrapped around hooks to enable tidy and safe storage.

Storing your lawnmower:

Store in a dry place where your lawnmower is protected from damage.

Loosen the wing knobs to enable the handles to be folded over the product ensuring that the upper handle is supported.

At the end of the mowing season:

1. Replace bolts, nuts or screws, if necessary.
2. Clean your lawnmower thoroughly.
3. Make sure that the electric cable is stored correctly to prevent damage.

Disposal:

(in accordance with RL2012/19/EC/S.I. 2013 No. 3113)



The product must not be disposed of to normal household waste. It must be disposed of in line with local environmental regulations.

IMPORTANT!

→ Dispose of the product through or via your municipal recycling collection centre.

6. TROUBLESHOOTING



DANGER! Risk of injury!

Cut injury when the product starts accidentally.

→ Wait for the blade to stop, disconnect the product from the mains and use gloves before you troubleshoot the product.

Fails to operate:

1. Is the correct starting procedure being followed?
See *To start the lawnmower*.
2. Is the power turned on?
3. Check the fuse in the plug. Replace if blown.

Poor grass collection:

1. Disconnect from the mains electricity supply.
2. Clean the outside of the air intakes, the discharge chute and the underside of the deck.
3. Raise to a higher height of cut. See *Adjusting the cutting height*.

Excessive vibration:

1. Disconnect from the mains electricity supply.
2. Check that the blade is fitted correctly.
3. If the blade is damaged or worn, replace it with a new one.

Lawnmower becomes heavy to push:

1. Disconnect from the mains electricity supply.
2. In long grass or uneven ground, the height of cut should be raised to a higher position. See *Adjusting the cutting height*.
3. Check that the wheels and rollers can rotate freely.



For any other malfunctions please contact the Husqvarna UK Ltd. Customer Service. Repairs must only be done by Husqvarna UK Ltd. service departments or specialist dealers approved by FLYMO.

7. TECHNICAL DATA

Electric Rotary Lawnmower	Unit	Value Speedi-Mo 360C 9676634-xx
Rated power	kW	1.5
Mains voltage	V (AC)	230
Mains frequency	Hz	50
Speed of rotation cutting blade	rpm	3700
Cutting width	cm	36
Cutting height adjustment	mm	20 – 60
Volume of grass box	l	30
Weight	kg	11.5
Sound pressure level L_{pA} ¹⁾ Uncertainty k_{pA}	dB (A)	87 1.5
Sound power level L_{WA} ²⁾ : measured / guaranteed Uncertainty k_{WA}	dB (A)	93 / 94 1.0
Hand / arm vibration a_{vhw} ¹⁾ Uncertainty k_{vhw}	m/s ²	2.3 1.5

Measuring process complying with: ¹⁾ EN 60335-2-77 ²⁾ RL 2000/14/EC/S.I. 2001 No.1701



NOTE: The stated vibration emission value has been measured according to a standardized test procedure and can be used for comparison of one electric power tool with another. It can also be used for preliminary evaluation of exposure. The vibration emission value can vary during actual use of the electric power tool.

8. ACCESSORIES

FLYMO Replacement Blade As replacement for blunt blade.
for Speedi-Mo 360C

Part no.: 590605190
Art. FLY071

9. SERVICE/WARRANTY

Service:

Please contact the address on the back page.

Warranty statement:

In the event of a warranty claim, no charge is levied to you for the services provided.

Husqvarna UK Ltd. grants a warranty for all original FLYMO new products for two years from the date of original purchase from the retailer, provided that the devices have been for private use only. This manufacturer's warranty does not apply to products acquired second hand. This warranty includes all significant defects of the product that can be proved to be material or manufacturing faults. This warranty is fulfilled by supplying a fully functional replacement product or by repairing the faulty product sent to us free of charge; we reserve the right to choose between these options. This service is subject to the following provisions:

- The product has been used for its intended purpose as per the recommendations in the operating instructions.
- Neither the purchaser nor a third party has attempted to open or repair the product.
- Only Original FLYMO replacement parts and wear parts have been used for operation.
- Presentation of the receipt.

Normal wear and tear of parts and components (such as blades, blade fixing parts, turbines, light bulbs, V-belts/toothed belts, impellers, air filters, spark plugs), visual changes, wear parts and consumables are excluded from the warranty.

This manufacturer's warranty is limited to replacement and repair of products in accordance with the abovementioned conditions. The manufacturer's warranty does not constitute an entitlement to lodge other claims against us as a manufacturer, such as for damages. This manufacturer's warranty does **not**, of course, affect statutory and contractual warranty claims against the dealer/retailer.

The manufacturer's warranty is governed by the law of the Federal Republic of Germany.

In case of a warranty claim, please return the faulty product, together with a copy of the receipt and a description of the fault, with postage paid to the service address.

Consumables:



The blades and the electric mains cable are consumables and are not included in the guarantee.

PRODUCT LIABILITY

In accordance with the German Product Liability Act, we hereby expressly declare that we accept no liability for damage incurred from our products where said products have not been properly repaired by a FLYMO-approved service partner or where original FLYMO parts or parts authorised by FLYMO were not used.

EC DECLARATION OF CONFORMITY

The undersigned hereby certifies as the authorized representative of the manufacturer, Husqvarna AB, 561 82 Huskvarna, Sweden, that, when leaving our factory, the unit(s) indicated below is/are in accordance with the harmonised EU guidelines, EU standards of safety and product specific standards. This certificate becomes void if the unit(s) is/are modified without our approval.

Description of the product:	Mower Speedi-Mo	
Product type:	360C	
Article-Number:	9676634-xx	
CE-Directives:	2006/42/EC 2014/30/EU 2011/65/EU 2000/14/EC	
Harmonised EN:	EN ISO 12100 EN 60335-1 EN 60335-2-77	
Deposited Documentation:	GARDENA Technical Documentation, M. Jäger, 89079 Ulm	
Conformity Assessment according to:	According to 2000/14/EG: Art. 14 Annex VI	
Noise level: measured / guaranteed	93 dB(A) / 94 dB(A)	
Ulm, 09.09.2021 Authorised representative:	 Reinhard Pompe Vice President Products	 Wolfgang Engelhardt Vice President Supply Chain

UKCA DECLARATION OF CONFORMITY

The manufacturer: Husqvarna AB SE 561 82 Huskvarna, Sweden hereby certifies, when leaving our factory, the unit(s) indicated below is/are in accordance with the UK Regulations, designated standards of safety and product specific designated standards. This certificate becomes void if the units are modified without our approval.

Description of the Product: **Mower Speedi-Mo**

Product type: **360C**

Article Number: **9676634-xx**

UK regulations: **S.I. 2008/1597
S.I. 2016/1091
S.I. 2012/3032
S.I. 2001/1701**

Designated Standards: **EN ISO 12100
EN 60335-1
EN 60335-2-77**

Authorised Representative: **Husqvarna UK Limited**

Deposited Documentation: **Preston Road,
Aycliffe,
County Durham
UK
DL5 6 UP**

Noise level: measured / guaranteed **93 dB(A) / 94 dB(A)**

Conformity Assessment according to: **According to S.I. 2001/1701 Art. 11 Schedule 9**

Aycliffe, 09.09.2021

Authorised Representative:



John Thompson
Director

Service Address and Importer to

Great Britain

Husqvarna UK Ltd
Preston Road
Aycliffe Industrial Park
Newton Aycliffe
County Durham
DL5 6UP
Phone:+44 (0) 344 844 4558
customer.services@husqvarna.co.uk



21360-85.960.01/1021
Husqvarna AB
Drottninggatan 2
SE-561 82 Huskvarna
Sweden

Our policy of continuous improvement means that the specification of products may be altered from time to time without prior notice.

Copyright © 2021 Flymo S.A. All rights reserved.

Flymo® and other product and feature names are registered or unregistered trademarks of Flymo S.A.