



Operator's manual
Manual de usuario
Manuel d'utilisation

EPOS™ Reference station

Read the operator's manual carefully and make sure that you understand the instructions before you use the product.

Lea detenidamente el manual de usuario y asegúrese de entender su contenido antes de utilizar el producto.

Lisez attentivement le manuel d'utilisation et assurez-vous que vous en comprenez le contenu avant d'utiliser la machine.



**EN, English
(2-12)**

**ES, Español
(13-23)**

**FR, Français
(24-34)**

Contents

1 Safety.....	2	5 Troubleshooting.....	10
2 Operator's manual.....	3	6 Storage and disposal.....	10
3 Installation.....	5	7 Technical data.....	10
4 Maintenance.....	9	8 Applicable to US/CA market.....	11

1 Safety

1.1 Safety definitions

Warnings, cautions and notes are used to point out specially important parts of the manual.



WARNING: Used if there is a risk of injury or death for the operator or bystanders if the instructions in the manual are not obeyed.



CAUTION: Used if there is a risk of damage to the product, other materials or the adjacent area if the instructions in the manual are not obeyed.

Note: Used to give more information that is necessary in a given situation.

1.2 General safety instructions



WARNING: Read the warning instructions that follow before you use the product.

- Obey national regulations about electrical safety.
- The product is only to be used with the power supply unit supplied by Husqvarna.
- The product may only be used with the equipment recommended by the manufacturer. All other types of use are incorrect. The manufacturer's instructions with regard to operation/maintenance must be followed precisely.
- The product may only be operated, maintained and repaired by persons that are fully conversant with its special characteristics and safety regulations. Please read the Operator's Manual carefully and make sure you understand the instructions before using the product.
- Husqvarna does not guarantee full compatibility between the product and other types of wireless systems such as remote controls, radio transmitters, hearing loops, underground electric animal fencing or similar.

- It is not permitted to modify the original design of the product. All modifications are made at your own risk.
- The operating temperature is -20°C to 45°C / -4°F to 113°F. The storage temperature is -20°C to 70°C / -4°F to 158°F.

1.3 Safety instructions for installation



WARNING: Read the warning instructions that follow before you use the product.

- Do not put the power supply at a position where there is a risk that it can become wet. Do not put the power supply on the ground.
- Do not encapsulate the power supply. Condensed water can harm the power supply and increase the risk of electrical shock.
- Risk of Electric Shock. Install only to an residual-current device (RCD) when connecting the power supply to the wall socket. Applicable to USA/ Canada. If power supply is installed outdoors: Risk of Electric Shock. Install only to a covered Class A GFCI receptacle (RCD) that has an enclosure that is weatherproof with the attachment plug cap inserted or removed.
- Make sure that the plugs of the low-voltage cable and the power supply unit are clean and dry before you connect them.
- There is a risk of falling objects during the installation of the reference station. This can result in injury.
- The power supply cable and extension cable must be outside the work area to prevent damage to the cables.
- There is a risk of falling when you install the reference station in a high position. Make sure that you have a stable position when you install the reference station.

1.4 Safety instructions for maintenance



WARNING: Read the warning instructions that follow before you use the product.

- Disconnect the product from the power supply before you clean or do maintenance on the product.

1.5 In the event of a thunderstorm

To decrease the risk of damage to electrical components in the reference station, we recommend that the power supply to the reference station is disconnected if there is a risk of a thunderstorm. Connect the power supply again when there is no risk of thunderstorm.

2 Operator's manual

2.1 Introduction

Serial number:

The serial number is on the product rating plate and on the product carton. Use the serial number to register your product on www.husqvarna.com.

2.1.1 Support

For support about the product, speak to your Husqvarna servicing dealer.

2.1.2 System description

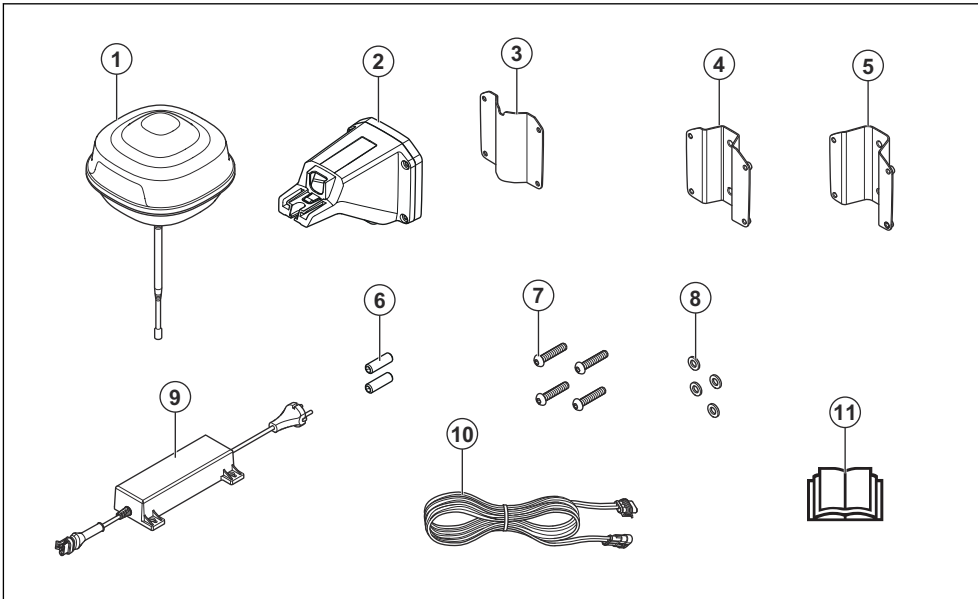
The EPOS™ system contains a robotic lawn mower, a charging station and a reference station. The robotic lawn mower and the reference station receives satellite signals for positioning. The reference station is stationary and sends correction data to the robotic lawn mower to get an accurate position for the mower. The work area is made virtually in an app by operating the product and adding waypoints to make a map in an app.

2.1.3 Product description

Note: Husqvarna regularly updates the appearance and function of the products. Refer to *Support on page 3*.

The product is a reference station that receives satellite signals and sends correction data to the mower. One reference station can be used for several robotic lawn mowers.

2.1.4 Product overview



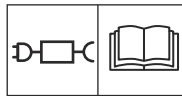
1. Reference station
2. Arm
3. Support bracket
4. Post bracket small, for post dimensions 32-44 mm/
1.26-1.73 in.
5. Post bracket large, for post dimensions 44-55 mm/
1.73-2.16 in.
6. Screws
7. Screws
8. Washers
9. Power supply¹
10. Low-voltage cable
11. Operator's manual

**UK
CA**

This product complies with the applicable UK Directives.



It is not permitted to dispose the product as usual domestic waste. Obey national regulations and use the local recycling system.



Use a detachable power supply as specified on the rating plate adjacent to the symbol.

2.1.5 Symbols on the product

These symbols can be found on the product. Make sure that you understand them.



This product complies with the applicable EU Directives.

Note: Other symbols/decals on the product refer to certification requirements for some markets.

¹ The appearance may differ depending on market

3 Installation

3.1 Introduction - Installation



WARNING: Read and understand the safety chapter before you install the product.



CAUTION: Use original spare parts and installation material.

Note: Refer to www.husqvarna.com for more information about installation.

3.2 To examine where to put the reference station



CAUTION: If there is a lightning rod in the area, do not install the reference station higher than the lightning rod.

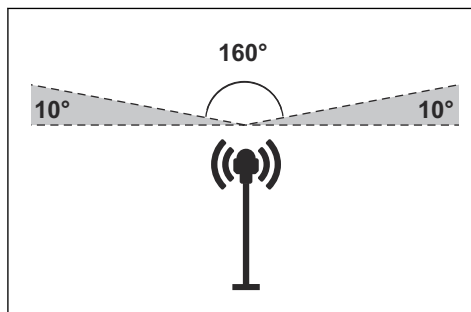


CAUTION: Do not install the reference station on a flagpole. Movements of the reference station will affect the correction data sent to the product with the accurate position.

- Install the reference station on a fixed object that cannot move or rotate.
- Install the reference station on a post or a wall. The post must be 32-55 mm / 1.26-2.16 in. in diameter to fit the attachments on the reference station.

Note: If the reference station is installed on a wall the top of the reference station must be above the wall. There must be no metal in the wall.

- Make sure that the reference station has full view of the sky. Make sure that the sky is visible without obscuration in all directions above 10° elevation angle.



- Install the reference station at a high position for increased radio signal range. Install the reference station at minimum 2.5 m / 8 ft. height.
- Make sure that the maximum distance between the reference station and the product is 500 m / 1640 ft. when free line of view. Objects between the reference station and product decreases the distance.
- Install the reference station where the radio signal reaches all parts of the work area. Large objects can block the radio signals.
- Make sure to have a free line of sight between the product and the reference station for optimal correction data.

Note: Special settings are necessary if the site has more than one reference station. Speak to your local Husqvarna representative for more information.

3.3 To examine where to put the power supply



WARNING: Do not cut the low-voltage cable. There is a risk of electrical shock.



CAUTION: Make sure that the blades on the robotic lawn mower do not cut the power cables.

- Put the power supply in an area with a roof and protection from the sun and rain.
- Put the power supply in an area with good airflow.
- Use a residual-current device (RCD) when you connect the power supply to the power outlet.
- Extend the low-voltage cable if necessary. The low-voltage cable can be extended up to 100 m / 328 ft.

3.4 Installation of the product

Read and understand the instructions about the reference station. Refer to *To examine where to put the reference station on page 5*.

Read the Operator's manual for the robotic lawn mower to be used together with the reference station.

You can install the reference station on a post or a wall.



CAUTION: Movements of the reference station will affect the correction data sent to the product with the accurate position. The reference station must be installed tightly on the post or wall.



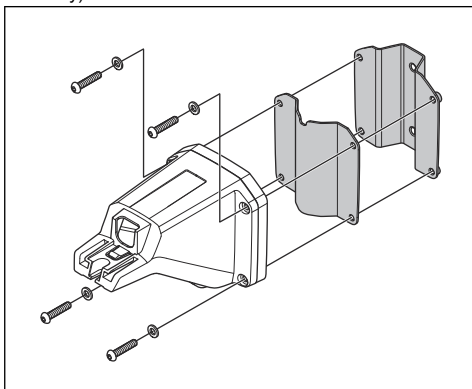
CAUTION: The items on the map will change position if you move the reference station. Adjust the items on the map or do the installation again in the Automower® Connect app.

3.4.1 Installation tools

- Screwdriver, Torx 20.
- Hex key, 4 mm. Included in the carton.

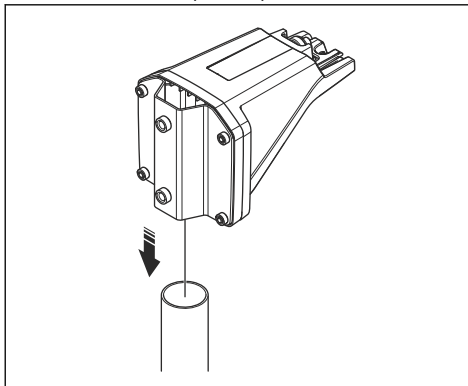
3.4.2 To install the reference station on a post

1. Attach the post tightly to a wall, roof top or the ground. Make sure that the post cannot move or be accidentally moved.
2. Attach the support bracket and one of the post brackets to the arm with the 4 screws (4 mm hex key).



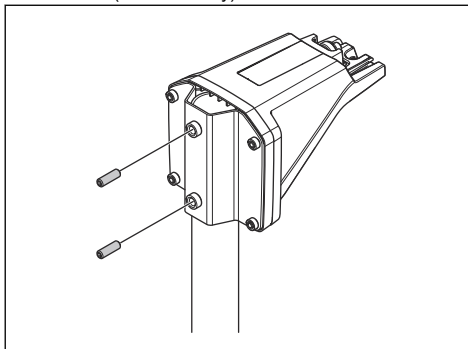
Note: The post brackets are available in 2 dimensions to fit different dimensions of the post. Select the applicable post bracket for your installation.

3. Put the arm on top of the post.

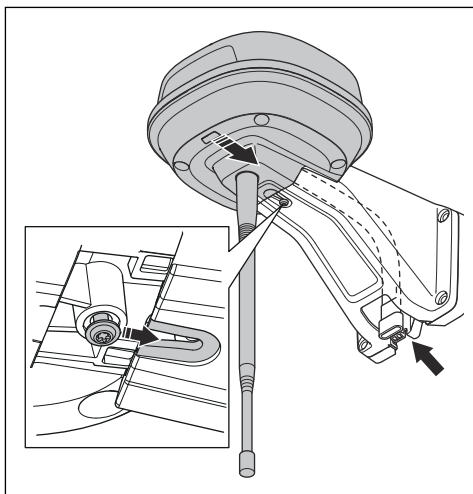


Note: The reference station must be installed at the top of the post.

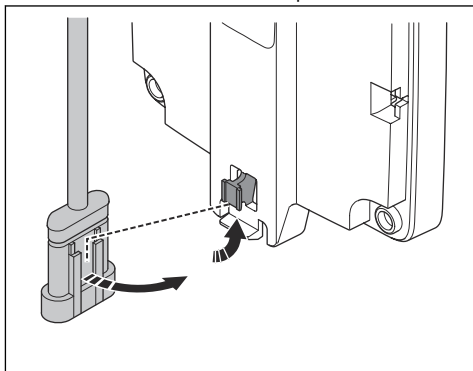
4. Attach the reference station to the post with the 2 screws (4mm hex key).



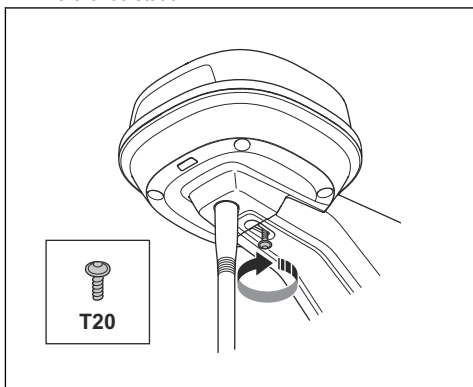
5. Pull the cable on the reference station through the slot in the arm and install the reference station on the arm.



6. Attach the connector to the clips on the arm.



7. Tighten the screw (Torx 20) on the arm of the reference station.



8. Connect the low-voltage cable to the reference station and the power supply. Refer to *To examine where to put the power supply on page 5*.
9. Attach the low-voltage cable to the post from the reference station to the power supply with cable ties.



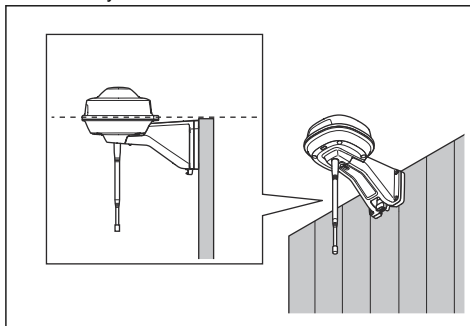
CAUTION: If the low-voltage cable is not attached tightly with cable ties it can be damaged in hard wind.

10. Put the power supply 30-200 cm / 1-6.5 ft. above the ground. Refer to *To examine where to put the power supply on page 5*.
11. Connect the power supply cable to a 100-240V power outlet.
12. Wait until the LED status indicator is solid green. First the LED status indicator is flashing green for some minutes. Refer to *LED indicator lamp on the reference station on page 10*.

3.4.3 To install the reference station on a wall

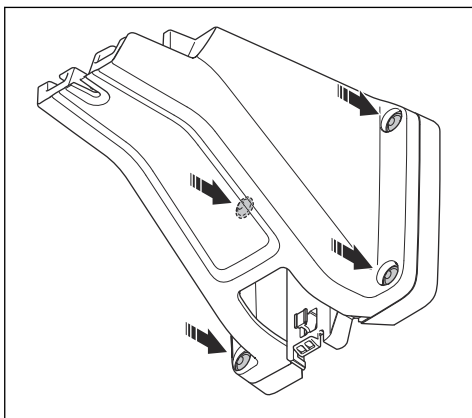
Note: As wall materials vary, screws for fixing to the wall are not included.

1. Hold the arm for the reference station on the wall where you will attach it. Make 4 marks on the wall where you will attach 4 screws.

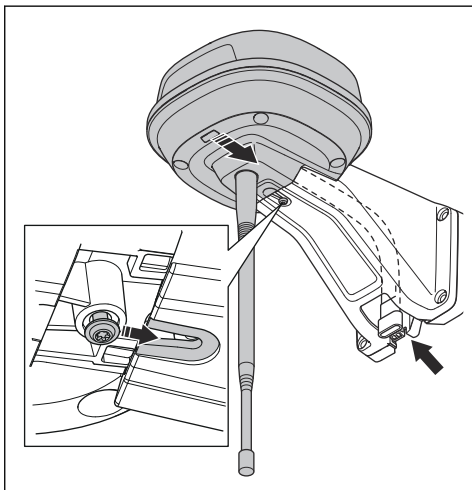


Note: If the reference station is installed on a wall the top of the reference station must be above the wall.

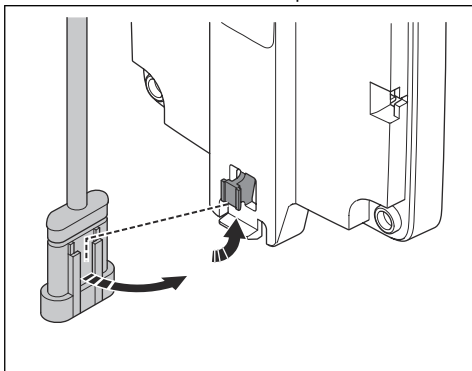
2. Drill 4 holes in the wall for the 4 screws.
3. Install the reference station on the wall with 4 screws.



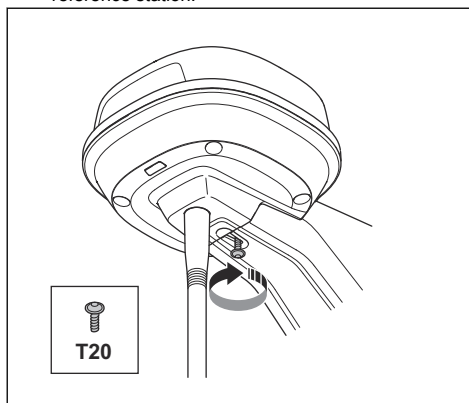
- Put the cable of the reference station through the slot in the arm and install the reference station on the arm.



- Attach the connector to the clips on the arm.



- Tighten the screw (Torx 20) on the arm of the reference station.



- Connect the low-voltage cable to the reference station and the power supply.
- Attach the low-voltage cable to the wall from the reference station to the power supply with cable ties.



CAUTION: If the low-voltage cable is not attached tightly with cable ties it can be damaged in hard wind.

- Put the power supply 30-200 cm / 1-6.5 ft. above the ground. Refer to *To examine where to put the power supply on page 5*.
- Connect the power supply cable to a 100-240V power outlet.
- Wait until the LED status indicator is solid green. First the LED status indicator flashes green for some minutes. Refer to *LED indicator lamp on the reference station on page 10*.

4 Maintenance

4.1 Introduction - maintenance

For better operation and lifetime of the product, make sure to clean the product regularly and replace worn parts.

4.2 Maintenance schedule

The maintenance schedule shows how to do servicing and maintenance on the product. Follow the maintenance schedule for a better operation and to increase the lifetime of the product.

X = The instructions are given in this operator's manual.

O = The instructions are not given in this operator's manual. Speak to your approved servicing dealer.

To prepare	Every year	Every third year
Clean the product. Refer to <i>Clean the product on page 9</i> .	X	
Examine the product for damage and wear.	X	
Do an update of the firmware.	O	
Do a check of the servicing messages for recommended upgrades.	O	
Servicing		
Do a check of the tightening torque of the screws. Refer to <i>Tightening torques on page 9</i> .	X	
Replace the airflow filter.		O
Open the product and replace all sealing strips.		O

4.3 Clean the product



WARNING: Disconnect the product from the power supply before any maintenance or cleaning.



CAUTION: Do not use a high-pressure washer to clean the product. Do not use solvents for cleaning.

If necessary, clean the product with a moist cloth.

4.4 Tightening torques

Screw	Tool	Tightening torque (Nm)
Upper to lower chassis	Torx 20	1.8
Reference station to arm	Torx 20	1.8
Arm to post	Hex key, 4 mm	5-6
Arm, support bracket and post bracket	Hex key, 4 mm	5-6

5 Troubleshooting

5.1 LED indicator lamp on the reference station

Light	Status
Green flashing light	Startup of the reference station. This can take some minutes.
Green constant light	In operation.
Red flashing light	The reference station is not working due to an error. Restart the product. If the problem stays, speak to your approved servicing dealer.
White flashing light	Firmware update is necessary. Speak to your local Husqvarna representative.

6 Storage and disposal

6.1 Storage

If you store the reference station indoors, keep the arm installed at the post or wall to be able to install the reference station on its original position again.

If you keep the reference station outdoors during the winter, we recommend you to keep the power supply connected.

6.2 Disposal

Obey the local recycling requirements and applicable regulations.

7 Technical data

7.1 Technical data

Dimensions	
Length, max length including plate for post installation cm / in.	36 / 13.8
Width, cm / in.	19 / 7.5
Height, cm / in.	36 / 13.8
Weight, reference station kg / lb	0.88 / 1.9
Weight, arm kg / lb	0.33 / 0.73

Reference station	
Type of Power Supply Unit	ADP-40KR, ADP-40FW XX
Power supply input, V AC	100-240
Power supply output, V DC	28
Power supply output, A	1.3
Low-voltage cable, length m/ft	20 / 66
IP-code reference station	IPX5
IP-code power supply unit	IP44
Power consumption, W	2

Frequency Band Support	
Bluetooth® Frequency range (for service)	2400.0-2483.5 MHz
SRD868 (Europe)	863-870 MHz
SRD915 (North America)	902-928 MHz
SRD915 (Australia)	915-928 MHz
SRD915 (New Zealand)	915-928 MHz

Power Class	
Bluetooth® Output power (for service)	8 dBm
SRD868 (Europe)	13 dBm
SRD915 (North America)	13 dBm
SRD915 (Australia)	13 dBm
SRD915 (New Zealand)	13 dBm

Full compatibility cannot be guaranteed between the product and other types of wireless systems such as remote controls and radio transmitters.

7.2 Registered trademarks

The *Bluetooth®* word mark and logos are registered trademarks owned by *Bluetooth SIG, inc.* and any use of such marks by Husqvarna is under license.

8 Applicable to US/CA market

8.1 Supplier's Declaration of Conformity

Issuer: Husqvarna AB, Drottninggatan 2, S-561 82 Huskvarna, Sweden www.husqvarnagroup.com.

Responsible party: Husqvarna Professional Products, Inc. 9335 Harris Corners Parkway Suite 500 Charlotte, NC 28269 United States U.S. Contact information: Michael Campbell, Sr Director Quality, test compliance, Telephone: +1 704 597 5000.

8.2 Compliance requirements

FCC ID: MCQ-XBSX (Reference station).

FCC ID ZASHQ-BLE-1D (Bluetooth® module).

The Bluetooth module and radio module are located inside the reference station. They must only be accessed by an authorized service technician.



WARNING: To comply with RF exposure requirements, please maintain a separation distance of at least 20 cm/7 inches from any part of the product.

Note: Changes or modifications made to this equipment not expressly approved by Husqvarna may void the FCC authorization to operate this equipment.

Note: This device complies with Part 15 of the FCC Rules [and with Industry Canada licence-exempt RSS standard(s)]. Operation is subject to the following two conditions: this device may not cause harmful interference, and this device must accept any interference received, including interference that may cause undesired operation.

Note: This equipment has been tested and found to comply with the limits for a Class B digital device, pursuant to part 15 of the FCC Rules. These limits are designed to provide reasonable protection against harmful interference in a residential installation. This equipment generates, uses and can radiate radio frequency energy and, if not installed and used in accordance with the instructions, may cause harmful interference to radio communications. However, there is no guarantee that interference will not occur in a particular installation. If this equipment does cause harmful interference to radio or television reception, which can be determined by turning the equipment off and on, the user is encouraged to try to correct the interference by one or more of the following measures:

- Reorient or relocate the receiving antenna.
- Increase the separation between the equipment and receiver.
- Connect the equipment into an outlet on a circuit different from that to which the receiver is connected.
- Consult the dealer or an experienced radio/TV technician for help.



WARNING: Cancer and Reproductive Harm - www.P65Warnings.ca.gov.

Contenido

9 Seguridad.....	13	13 Resolución de problemas.....	21
10 Manual de usuario.....	14	14 Almacenamiento y desecho.....	21
11 Instalación.....	16	15 Datos técnicos.....	21
12 Mantenimiento.....	20	16 Aplicable al mercado de EE. UU./CA.....	22

9 Seguridad

9.1 Definiciones de seguridad

Las advertencias, precauciones y notas se utilizan para destacar información especialmente importante del manual.



ADVERTENCIA: Indica un riesgo de lesiones o incluso de muerte del usuario o de las personas cercanas si no se respetan las instrucciones del manual.



PRECAUCIÓN: Indica un riesgo de daños en el producto, otros materiales o el área adyacente si no se respetan las instrucciones del manual.

Nota: Se usa para proporcionar más información necesaria en una situación determinada.

9.2 Instrucciones generales de seguridad



ADVERTENCIA: Lea las siguientes instrucciones de advertencia antes de utilizar el producto.

- Cumpla con las normas de su país relativas a la seguridad eléctrica.
- El producto solo se puede utilizar con una unidad de alimentación suministrada por Husqvarna.
- El producto solo se puede utilizar con el equipo recomendado por el fabricante. Todos los demás usos son inadecuados. Se deben seguir al pie de la letra las instrucciones de uso y mantenimiento del fabricante.
- Este producto solamente lo podrán manejar, mantener y reparar aquellas personas que conozcan perfectamente sus normas de seguridad y características especiales. Lea detenidamente el manual de usuario y asegúrese de entender su contenido antes de utilizar el producto.

- Husqvarna no garantiza la total compatibilidad entre el producto y otro tipo de sistemas inalámbricos, como mandos a distancia, radiotransmisores, bucles magnéticos, vallas eléctricas enterradas para animales o similares.
- No está permitido modificar el diseño original del producto. Todas las modificaciones se harán por su cuenta y riesgo.
- La temperatura de funcionamiento oscila entre -20 °C y 45 °C (-4 °F y 113 °F). La temperatura de almacenamiento oscila entre -20 °C y 70 °C (-4 °F y 158 °F).

9.3 Instrucciones de seguridad para la instalación



ADVERTENCIA: Lea las siguientes instrucciones de advertencia antes de utilizar el producto.

- No coloque la fuente de alimentación en un lugar donde se pueda mojar. No coloque la fuente de alimentación en el suelo.
- No encapsule la fuente de alimentación. El agua condensada puede dañar la fuente de alimentación y aumentar el riesgo de descarga eléctrica.
- Riesgo de descarga eléctrica. Instale siempre un interruptor diferencial (RCD) antes de conectar la fuente de alimentación a la toma de corriente. Aplicable a EE. UU./Canadá. Si la fuente de alimentación se instala en el exterior: Riesgo de descarga eléctrica. Conecte el dispositivo siempre a una toma de Clase A GFCI (RCD) con tapa cuya carcasa sea estanca tanto con la clavija enchufada o no.
- Asegúrese de que los enchufes del cable de baja tensión y de la fuente de alimentación están limpios y secos antes de conectarlos.
- Existe riesgo de caída de objetos durante la instalación de la estación de referencia. Esta situación podría ocasionar lesiones.
- El cable de alimentación y el cable alargador deben estar fuera del área de trabajo para evitar daños en los cables.

- Si instala la estación de referencia en un punto elevado, existe el riesgo de caídas. Sitúese de tal manera que no pueda perder el equilibrio cuando instale la estación de referencia.
- Desconecte el producto de la toma de corriente antes de limpiarlo o de someterlo a operaciones de mantenimiento.

9.4 Instrucciones de seguridad para el mantenimiento



ADVERTENCIA: Lea las siguientes instrucciones de advertencia antes de utilizar el producto.

9.5 En caso de tormenta eléctrica

Para reducir el riesgo de daños en los componentes eléctricos de la estación de referencia, recomendamos desconectar la fuente de alimentación de la estación de referencia si existe riesgo de tormenta eléctrica. Vuelva a conectar la fuente de alimentación cuando desaparezca el riesgo de tormenta eléctrica.

10 Manual de usuario

10.1 Introducción

Nº de serie:

El número de serie se encuentra en la placa de características y en el embalaje del producto. Utilice el número de serie para registrar su producto en www.husqvarna.com.

10.1.1 Asistencia

Para obtener asistencia sobre el producto, póngase en contacto con su distribuidor Husqvarna.

10.1.2 Descripción del sistema

El sistema EPOS™ incluye un robot cortacésped, una estación de carga y una estación de referencia. El robot cortacésped y la estación de referencia reciben señales de posicionamiento por satélite. La estación de referencia es estática y envía datos de corrección al robot cortacésped para obtener una posición precisa de este último. El área de trabajo se crea virtualmente mediante una aplicación; para ello, se hace funcionar

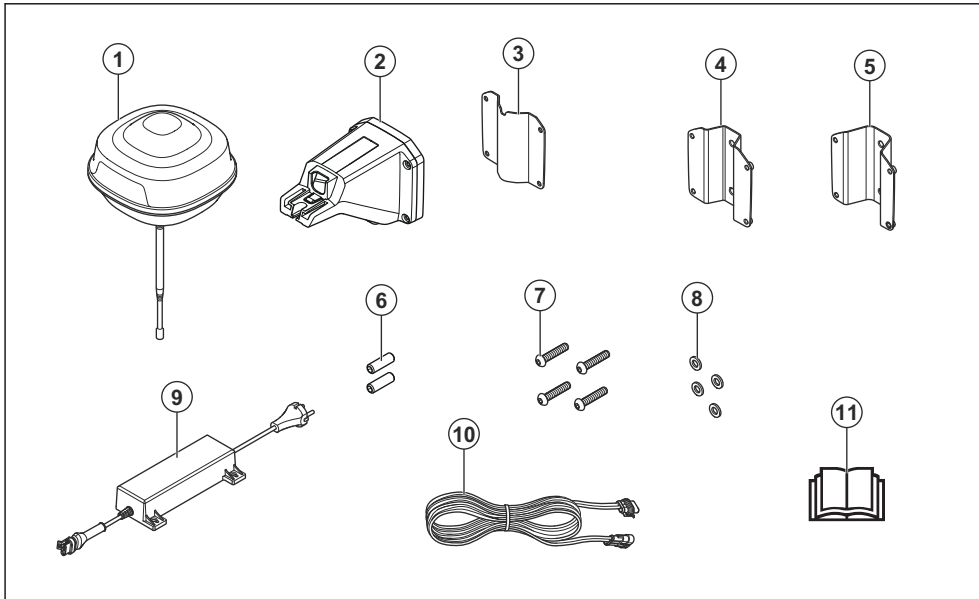
el producto y se añaden puntos de referencia a fin de trazar un mapa en la aplicación.

10.1.3 Descripción del producto

Nota: Husqvarna actualiza periódicamente el aspecto y la función de los productos. Consulte la sección *Asistencia en la página 14*.

El producto es una estación de referencia que recibe señales por satélite y envía datos de corrección al robot cortacésped. Es posible utilizar la misma estación de referencia con varios robots cortacésped.

10.1.4 Descripción del producto



1. Estación de referencia
2. Brazo
3. Abrazadera de soporte
4. Abrazadera para poste pequeño, 32-44 mm (1,26-1,73 pulg.)
5. Abrazadera para poste grande, 44-55 mm (1,73-2,16 pulg.)
6. Tornillos
7. Tornillos
8. Arandelas
9. Fuente de alimentación²
10. Cable de baja tensión
11. Manual de usuario

10.1.5 Símbolos que aparecen en el producto

Puede encontrar estos símbolos en el producto. Asegúrese de comprender su significado.



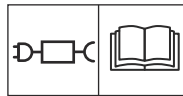
Este producto cumple con las directivas vigentes de la UE.



Este producto cumple con las directivas vigentes del Reino Unido.



No está permitido desechar el producto como residuo doméstico normal. Respete las normativas nacionales y utilice el sistema de reciclaje local.



Utilice una fuente de alimentación extraíble conforme a lo especificado en la placa de características técnicas, junto al símbolo.

Nota: Los demás símbolos y etiquetas que aparecen en el producto corresponden a requisitos de homologación específicos en algunos mercados.

² La apariencia puede variar en función del mercado

11 Instalación

11.1 Introducción sobre la instalación



ADVERTENCIA: Asegúrese de leer y comprender el capítulo sobre seguridad antes de instalar el producto.



PRECAUCIÓN: Utilice material para la instalación y piezas de repuesto originales.

Nota: Consulte www.husqvarna.com para obtener más información acerca de la instalación.

11.2 Determinación del lugar donde se colocará la estación de referencia



PRECAUCIÓN: Si hay un pararrayos cerca, no instale la estación de referencia a una altura superior a la del pararrayos.

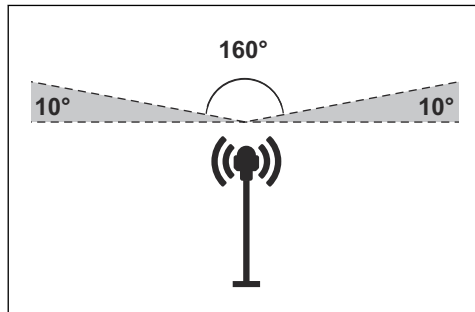


PRECAUCIÓN: No instale la estación de referencia en un mástil. Cualquier movimiento que se produzca en la estación de referencia influirá en los datos de corrección que se enviarán al producto con la posición exacta.

- Instale la estación de referencia en un objeto fijo que no se mueva ni gire.
- Instale la estación de referencia en un poste o en una pared. El poste debe tener un diámetro de 32-55 mm (1.26-2.16 pulg.) para poder usar los accesorios de montaje de la estación de referencia.

Nota: Si la estación de referencia se monta en una pared, deberá situarse por encima de la pared. No debe haber metal en la pared.

- Asegúrese de que la estación de referencia tiene una vista completa del cielo. Asegúrese de que se ve el cielo sin obstáculos en todas las direcciones por encima de un ángulo de elevación de 10°.



- Instale la estación de referencia en una posición alta para aumentar el alcance de la señal de radio. Instale la estación de referencia a una altura mínima de 2.5 m (8 pies).
- Asegúrese de que la distancia máxima entre la estación de referencia y el producto es de 500 m (1640 pies) siempre que no exista ningún obstáculo entre ambos. Si hay algún obstáculo entre ambos, la distancia disminuye.
- Instale la estación de referencia en un lugar desde donde la señal de radio pueda alcanzar toda el área de trabajo. Los objetos grandes pueden obstaculizar las señales de radio.
- Asegúrese de existe una línea de visión sin obstáculos entre el producto y la estación de referencia para una óptima recepción de los datos.

Nota: Si hay más de una estación de referencia en el recinto, será necesario realizar ajustes especiales. Póngase en contacto con su representante local de Husqvarna para obtener más información.

11.3 Determinar el lugar donde se colocará la fuente de alimentación



ADVERTENCIA: No corte el cable de baja tensión. Puede sufrir una descarga eléctrica.



PRECAUCIÓN: Tome todas las precauciones para que las cuchillas del robot cortacésped no puedan cortar los cables de alimentación.

- Coloque la fuente de alimentación en una zona a cubierto y protegida del sol y la lluvia.
- Coloque la fuente de alimentación en una zona bien ventilada.

- Utilice un dispositivo de corriente residual (RCD) cuando conecte la fuente de alimentación a la toma de corriente.
- Extienda el cable de baja tensión si es necesario. El cable de baja tensión se puede extender hasta 100 m (328 ft).

11.4 Instalación del producto

Lea detenidamente las instrucciones sobre la estación de referencia. Consulte la sección *Determinación del lugar donde se colocará la estación de referencia en la página 16*.

Lea el manual de usuario del robot cortacésped que va a utilizar con la estación de referencia.

Puede instalar la estación de referencia en un poste o en una pared.



PRECAUCIÓN: Cualquier movimiento que se produzca en la estación de referencia influirá en los datos de corrección que se enviarán al producto con la posición exacta. La estación de referencia debe instalarse firmemente en el poste o la pared.



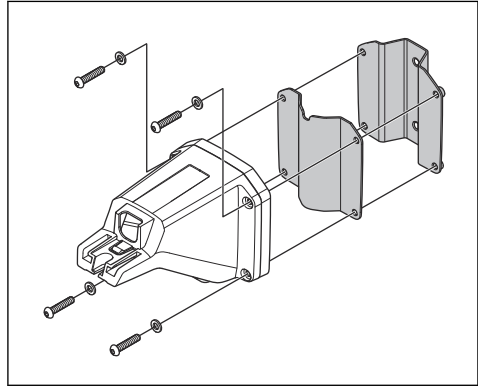
PRECAUCIÓN: Si mueve la estación de referencia, los elementos del mapa cambiarán de posición. Ajuste los elementos del mapa o vuelva a realizar la instalación en la aplicación Automower® Connect.

11.4.1 Herramientas de instalación

- Destornillador Torx 20.
- Llave hexagonal de 4 mm. Incluida en la caja.

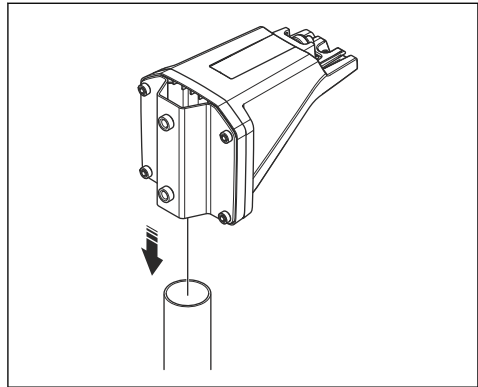
11.4.2 Instalación de la estación de referencia en un poste

1. Fije el poste firmemente a la pared, al tejado o al suelo. Cerciñese de que el poste no se pueda mover, ni siquiera de manera accidental.
2. Fije el soporte y uno de los soportes para poste al brazo con los 4 tornillos (llave hexagonal de 4 mm).



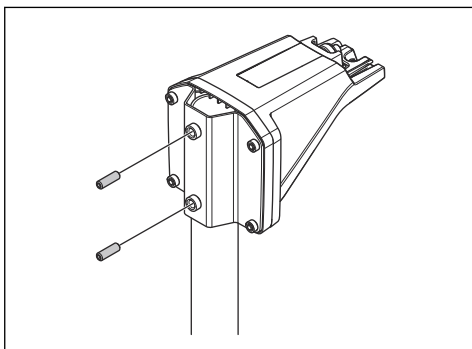
Nota: Los soportes para poste están disponibles en 2 tamaños, cada uno para un tamaño de poste diferente. Seleccione el soporte para poste adecuado para su instalación.

3. Coloque el brazo en la parte superior del poste.

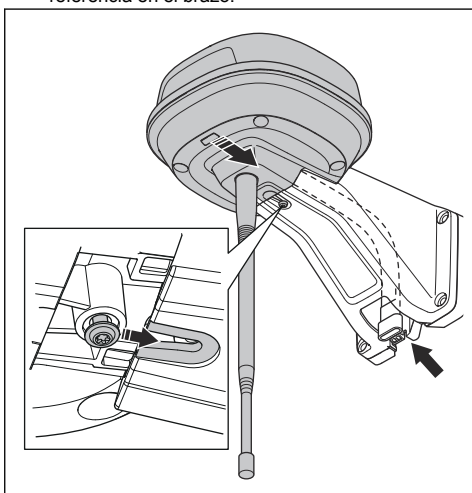


Nota: La estación de referencia debe instalarse en la parte superior del poste.

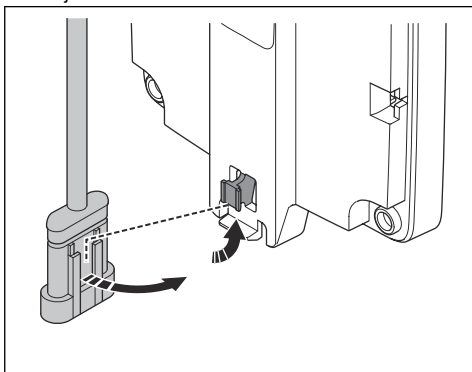
4. Fije la estación de referencia al poste con los 2 tornillos (llave hexagonal de 4 mm).



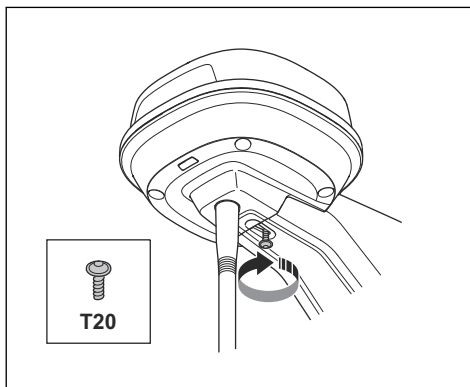
5. Pase el cable de la estación de referencia a través de la ranura del brazo e instale la estación de referencia en el brazo.



6. Fije el conector a las abrazaderas del brazo.



7. Apriete el tornillo (Torx 20) del brazo de la estación de referencia.



8. Conecte el cable de baja tensión a la estación de referencia y a la fuente de alimentación. consulte *Determinar el lugar donde se colocará la fuente de alimentación en la página 16*.
9. Fije el cable de baja tensión al poste desde la estación de referencia hasta la fuente de alimentación mediante bridas.



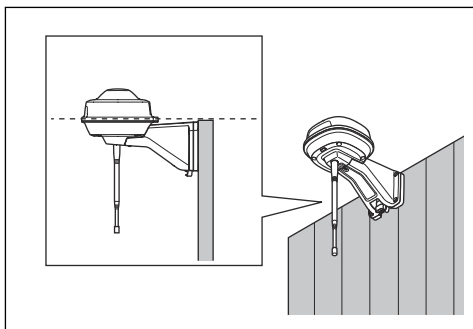
PRECAUCIÓN: Si el cable de baja tensión no está bien sujeto con bridas, puede resultar dañado en caso de soplar viento fuerte.

10. Coloque la fuente de alimentación a 30-200 cm (1-6.5 pies) por encima del suelo. consulte *Determinar el lugar donde se colocará la fuente de alimentación en la página 16*.
11. Conecte el cable de la fuente de alimentación a una toma de corriente de 100-240 V.
12. Espere hasta que el indicador LED de estado se ilumine en verde de forma permanente. En primer lugar, el indicador LED de estado parpadea en verde durante unos minutos. consulte *Luz indicadora LED de la estación de referencia en la página 21*.

11.4.3 Instalación de la estación de referencia en una pared

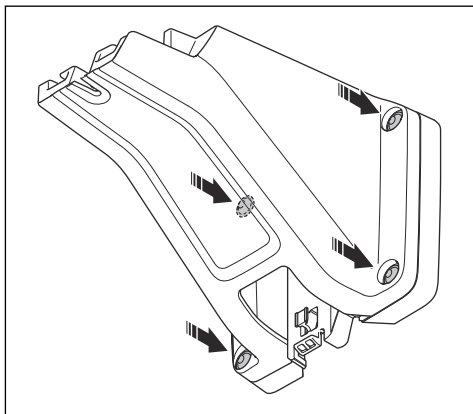
Nota: Puesto que las paredes pueden estar construidas con diversos materiales, no se incluyen los tornillos para fijar el producto a la pared.

1. Sostenga el brazo de la estación de referencia sobre la pared en el punto donde lo vaya a montar. Haga 4 marcas en la pared para señalar los puntos donde se colocarán los 4 tornillos.

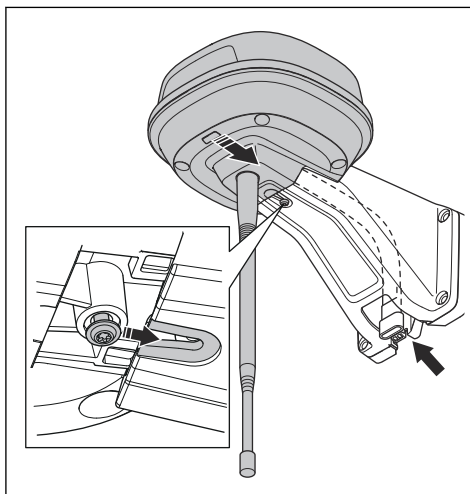


Nota: Si la estación de referencia se monta en una pared, deberá situarse por encima de la pared.

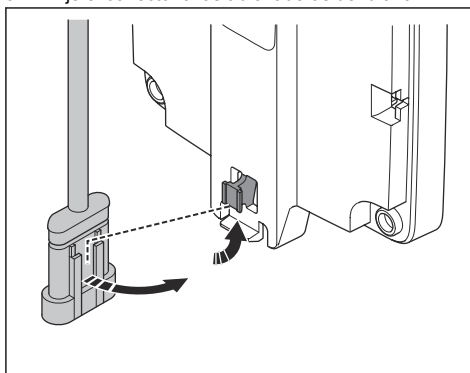
2. Taladre 4 orificios en la pared para los 4 tornillos.
3. Instale la estación de referencia en la pared con 4 tornillos.



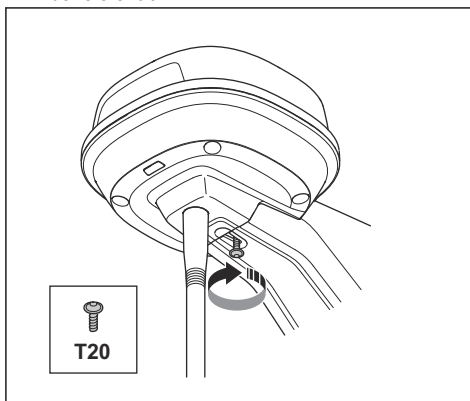
4. Pase el cable de la estación de referencia a través de la ranura del brazo e instale la estación de referencia en el brazo.



5. Fije el conector a las abrazaderas del brazo.



6. Apriete el tornillo (Torx 20) del brazo de la estación de referencia.



7. Conecte el cable de baja tensión a la estación de referencia y a la fuente de alimentación.
8. Sujete el cable de baja tensión a la pared desde la estación de referencia hasta la fuente de alimentación con bridas.



PRECAUCIÓN: Si el cable de baja tensión no está bien sujeto con bridas, puede resultar dañado en caso de soplar viento fuerte.

9. Coloque la fuente de alimentación a 30-200 cm (1-6.5 pies). por encima del suelo. consulte

Determinar el lugar donde se colocará la fuente de alimentación en la página 16.

10. Conecte el cable de la fuente de alimentación a una toma de corriente de 100-240 V.
11. Espere hasta que el indicador LED de estado se ilumine en verde de forma permanente. En primer lugar, el indicador LED de estado parpadea en verde durante unos minutos. consulte *Luz indicadora LED de la estación de referencia en la página 21.*

12 Mantenimiento

12.1 Introducción - Mantenimiento

Para mejorar el funcionamiento y garantizar una vida útil más larga, compruebe y limpie el producto periódicamente y sustituya las piezas desgastadas.

12.2 Programa de mantenimiento

En el programa de mantenimiento se indica cómo llevar a cabo las tareas de mantenimiento del producto. Siga el programa de mantenimiento para mejorar el funcionamiento del producto y prolongar su vida útil.

O = Estas instrucciones no se indican en este manual de usuario. Póngase en contacto con un centro de servicio autorizado.

X = Estas instrucciones se indican en este manual de usuario.

Preparación	Cada año	Cada tres años
Limpie el producto. consulte <i>Limpie el producto en la página 20.</i>	X	
Examine el producto para verificar si presenta daños o si está desgastado.	X	
Actualice el firmware.	O	
Consulte los mensajes de mantenimiento para determinar si hay alguna actualización recomendada.	O	
Mantenimiento		
Compruebe el par de apriete de los tornillos. consulte <i>Pares de apriete en la página 21.</i>	X	
Cambie el filtro de aire.		O
Abra el producto y sustituya todas las tiras de sellado.		O

12.3 Limpie el producto



ADVERTENCIA: Desconecte el producto de la fuente de alimentación antes de proceder con las labores de mantenimiento o limpieza.



PRECAUCIÓN: No utilice un equipo de limpieza de alta presión para limpiar el producto. No utilice productos disolventes para la limpieza.

Si es necesario, limpie el producto con un paño húmedo.

12.4 Pares de apriete

Tomillo	Herramienta	Par de apriete de (Nm)
Entre las partes superior e inferior del chasis	Torx 20	1,8
Entre la estación de referencia y el brazo	Torx 20	1,8
Entre el brazo y el poste	Llave Allen, 4 mm	5-6
Brazo, abrazadera de soporte y abrazadera para poste	Llave Allen, 4 mm	5-6

13 Resolución de problemas

13.1 Luz indicadora LED de la estación de referencia

Luz	Estado
Luz verde intermitente	Puesta en marcha de la estación de referencia. Puede tardar unos minutos.
Luz verde fija	En funcionamiento.
Luz roja intermitente	La estación de referencia no funciona debido a un error. Reinicie el producto. Si el problema persiste, póngase en contacto con un taller de servicio autorizado.
Luz blanca intermitente	Hay que actualizar el firmware. Hable con su representante local de Husqvarna.

14 Almacenamiento y desecho

14.1 Almacenamiento

Si guarda la estación de referencia en un espacio cerrado, deje el brazo instalado en el poste o en la pared para poder montarla en el mismo sitio más adelante.

Si deja fuera la estación de referencia durante el invierno, le aconsejamos que deje la fuente de alimentación conectada.

14.2 Eliminación

Respete los requisitos de reciclaje locales y las normas aplicables.

15 Datos técnicos

15.1 Datos técnicos

Dimensiones	
Longitud, longitud máxima incluida la placa para la instalación en el poste, cm/pulg.	36/13,8
Anchura, cm/pulg.	19/7,5
Altura, cm/pulg.	36/13,8
Peso, estación de referencia, kg/lb	0,88/1,9
Peso, brazo, kg/lb	0,33/0,73

Estación de referencia	
Tipo de unidad de alimentación	ADP-40KR, ADP-40FW XX
Entrada de fuente de alimentación, V CA	100-240
Salida de fuente de alimentación, V CC	28
Salida de fuente de alimentación, A	1,3
Cable de baja tensión, longitud, m/pies	20/66
Estación de referencia con código IP	IPX5
Fuente de alimentación con código IP	IP44
Consumo de energía, W	2

Banda de frecuencias compatible	
Rango de frecuencias Bluetooth® (para servicio)	2400,0-2483,5 MHz
SRD868 (Europa)	863-870 MHz
SRD915 (Norteamérica)	902-928 MHz
SRD915 (Australia)	915-928 MHz
SRD915 (Nueva Zelanda)	915-928 MHz

Intensidad de señal	
Potencia de salida Bluetooth® (para servicio)	8 dBm
SRD868 (Europa)	13 dBm
SRD915 (Norteamérica)	13 dBm
SRD915 (Australia)	13 dBm
SRD915 (Nueva Zelanda)	13 dBm

No se puede garantizar la compatibilidad total entre el producto y otros tipos de sistemas inalámbricos, como mandos a distancia y transmisores de radio.

15.2 Marcas comerciales registradas

Los logotipos y las denominaciones *Bluetooth®* son marcas comerciales registradas propiedad de *Bluetooth SIG, inc.* y su uso por parte de Husqvarna está sujeto a una licencia.

16 Aplicable al mercado de EE. UU./CA

16.1 Declaración de conformidad del proveedor

Emisor: Husqvarna AB, Drottninggatan 2, S-561 82 Huskvarna, Sweden www.husqvarnagroup.com.

Responsable: Husqvarna Professional Products, Inc. 9335 Harris Corners Parkway Suite 500 Charlotte, NC 28269 United States U.S. Contact information: Michael Campbell, Sr Director Quality, test compliance, Telephone: +1 704 597 5000.

16.2 Requisitos de cumplimiento

Id. FCC: MCQ-XBSX (estación de referencia).

FCC ID ZASHQ-BLE-1D (módulo Bluetooth®).

El módulo Bluetooth y el módulo de radio se encuentran dentro de la estación de referencia. Solo puede acceder a ellos un técnico de servicio autorizado.



ADVERTENCIA: Para cumplir con los requisitos de exposición a radiofrecuencias, mantenga una distancia de al menos 20 cm/7 pulg. de cualquier parte del producto.

Nota: Los cambios o modificaciones realizados en este equipo no expresamente aprobados por Husqvarna pueden anular la autorización de la FCC para utilizar este equipo.

Nota: Este dispositivo cumple con la parte 15 de las normas FCC (y con los estándares RSS exentos de licencia de industria en Canadá). El funcionamiento está sujeto a las siguientes dos condiciones: este dispositivo no causará una interferencia dañina, y este dispositivo debe aceptar cualquier interferencia que reciba, incluida una interferencia que pueda causar un funcionamiento no deseada.

Nota: Este equipo ha sido probado y se ha determinado que cumple con los límites para un dispositivo digital de Clase B, de acuerdo con la parte 15 de las normas FCC. Estos límites están diseñados para proporcionar una protección razonable contra interferencias perjudiciales en una instalación residencial. Este equipo genera, utiliza y puede irradiar energía de radiofrecuencia y, si no se instala y utiliza de acuerdo con las instrucciones, puede causar interferencias perjudiciales para las comunicaciones de radio. Sin embargo, no hay garantía de que no se produzcan interferencias en una instalación en particular. Si este equipo causa interferencias perjudiciales para la recepción de radio o televisión, lo que se puede determinar encendiendo y apagando el equipo, se recomienda al usuario que intente corregir la interferencia mediante una o más de las siguientes medidas:

- Reoriente o mueva la antena receptora.
 - Aumente la distancia de separación entre el equipo y el receptor.
 - Conecte el equipo a una toma de un circuito diferente de aquel al que se encuentra conectado el receptor.
 - Consulte al distribuidor o a un técnico experto en radio/TV para obtener ayuda.
-



ADVERTENCIA: Cáncer y daños reproductivos: www.P65Warnings.ca.gov.

Sommaire

17 Sécurité.....	24	21 Dépannage.....	32
18 Manuel d'utilisation.....	25	22 Remisage et mise au rebut.....	32
19 Installation.....	27	23 Caractéristiques techniques.....	32
20 Entretien.....	31	24 Applicable aux marchés US/CA.....	33

17 Sécurité

17.1 Définitions de sécurité

Des avertissements, des recommandations et des remarques sont utilisés pour souligner des parties spécialement importantes du manuel.



AVERTISSEMENT: Symbole utilisé en cas de risque de blessures ou de mort pour l'opérateur ou les personnes à proximité si les instructions du manuel ne sont pas respectées.



REMARQUE: Symbole utilisé en cas de risque de dommages pour le produit, d'autres matériaux ou les environs si les instructions du manuel ne sont pas respectées.

Remarque: Symbole utilisé pour donner des informations supplémentaires pour une situation donnée.

17.2 Instructions générales de sécurité



AVERTISSEMENT: Lisez les instructions qui suivent avant d'utiliser le produit.

- Respectez les réglementations nationales applicables à la sécurité électrique.
- Le produit doit être utilisé uniquement avec le bloc d'alimentation fourni par Husqvarna.
- Le produit ne doit être utilisé qu'avec les équipements recommandés par le fabricant. Toute autre utilisation est incorrecte. Les instructions du fabricant concernant l'utilisation et l'entretien doivent être rigoureusement suivies.
- Le produit ne peut être utilisé, entretenu et réparé que par des personnes parfaitement familiarisées avec ses caractéristiques spéciales et connaissant les consignes de sécurité. Lisez attentivement et assimilez le manuel d'utilisation avant d'utiliser le produit.

- Husqvarna ne garantit en aucun cas la compatibilité totale entre le produit et d'autres types de dispositif sans fil comme des télécommandes, des transmetteurs radio, des boucles d'écoute, des clôtures électrifiées enterrées pour animaux ou autres.
- Vous n'êtes pas autorisé à modifier la conception originale du produit. Toutes les modifications effectuées sont à vos risques et périls.
- La température de fonctionnement est comprise entre -20 °C et 45 °C / -4 °F et 113 °F. La température de remisage est comprise entre -20 °C et 70 °C / -4 °F et 158 °F.

17.3 Consignes de sécurité pour l'installation



AVERTISSEMENT: Lisez les instructions qui suivent avant d'utiliser le produit.

- N'installez pas le bloc d'alimentation à une position impliquant un risque d'exposition à l'humidité. n'installez pas l'alimentation électrique sur le sol.
- n'enfermez pas l'alimentation électrique. De l'eau de condensation peut endommager l'alimentation électrique et augmenter le risque de choc électrique.
- risque de choc électrique. Installez uniquement un disjoncteur différentiel de fuite à la terre (DDFT) pour connecter l'alimentation électrique à la prise murale. Applicable aux États-Unis et au Canada. Si l'alimentation électrique est installée en extérieur : risque de choc électrique. Installez-le uniquement dans un réceptacle GFCI de classe A (RCD) couvert, doté d'un boîtier résistant aux intempéries avec le capuchon de la fiche de fixation inséré ou retiré.
- assurez-vous que les fiches du câble basse tension et de l'unité d'alimentation électrique sont propres et sèches avant de les brancher.
- Il existe un risque de chute d'objets pendant l'installation de la station de référence. Cela peut entraîner des blessures.

- Le câble d'alimentation électrique et le câble de rallonge doivent se trouver hors de la zone de travail pour éviter d'endommager les câbles.
- Il y a un risque de chute lors de l'installation de la station de référence en position haute. Assurez-vous que la position est stable lors de l'installation de la station de référence.

17.4 Instructions de sécurité pour l'entretien



AVERTISSEMENT: Lisez les instructions qui suivent avant d'utiliser le produit.

- Avant de nettoyer ou d'entretenir le produit, débranchez-le de l'alimentation électrique.

17.5 En cas d'orage

Pour réduire le risque d'endommagement des composants électriques de la station de référence, nous recommandons de déconnecter l'alimentation de la station de référence en cas de risque d'orage. Raccordez de nouveau l'alimentation électrique lorsqu'il n'y a aucun risque d'orage.

18 Manuel d'utilisation

18.1 Introduction

Numéro de série :

Le numéro de série se trouve sur la plaque signalétique et sur le carton du produit. Utilisez le numéro de série pour enregistrer votre produit sur www.husqvarna.com.

18.1.1 Assistance

Pour obtenir de l'aide concernant le produit, contactez votre atelier d'entretien Husqvarna.

18.1.2 Description du système

Le système EPOS™ contient un robot tondeuse, une station de charge et une station de référence. Le robot tondeuse et la station de référence reçoivent des signaux satellites pour le positionnement. La station de référence est fixe et envoie des données de correction au robot tondeuse pour obtenir une position précise de la tondeuse. La zone de tonte est créée virtuellement dans une application en utilisant le produit et en ajoutant

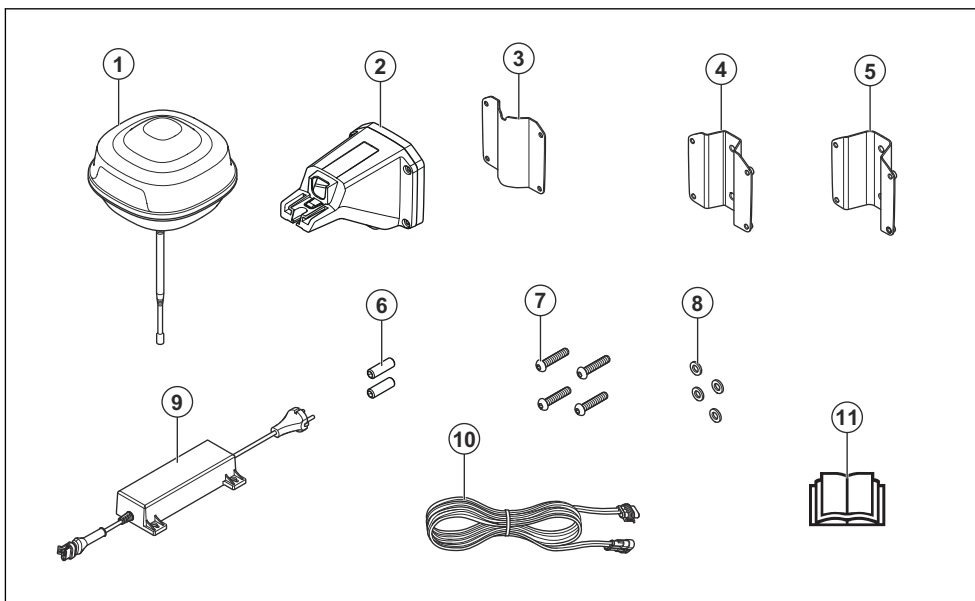
des points de réglage pour créer une carte dans une application.

18.1.3 Description du produit

Remarque: Husqvarna met régulièrement à jour l'apparence et la fonctionnalité de ses produits. Reportez-vous à la section *Assistance à la page 25*.

Le produit est une station de référence qui reçoit des signaux satellites et envoie des données de correction à la tondeuse. Une station de référence peut être utilisée pour plusieurs robots tondeuses.

18.1.4 Aperçu du produit



1. Station de référence
2. Bras
3. Support de fixation
4. Petit support de poteau, pour poteaux de 32-44 mm/1,26-1,73 po
5. Grand support de poteau, pour poteaux de 44-55 mm/1,73-2,16 po
6. Vis
7. Vis
8. Rondelles
9. Alimentation électrique³
10. Câble basse tension
11. Manuel d'utilisation

18.1.5 Symboles concernant le produit

Ces symboles se trouvent sur le produit. Assurez-vous de bien les comprendre.



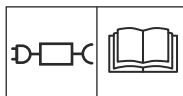
Ce produit est conforme aux directives CE en vigueur.



Ce produit est conforme aux directives en vigueur au Royaume-Uni.



Ce produit ne doit pas être jeté avec les ordures ménagères. Respectez les réglementations nationales et utilisez le système de recyclage local.



Utilisez une alimentation électrique amovible, telle que spécifiée sur la plaque signalétique à côté du symbole.

Remarque: Les autres symboles/autocollants présents sur le produit concernant des exigences de certification spécifiques à certains marchés.

³ L'aspect peut varier en fonction du marché

19 Installation

19.1 Introduction – Installation



AVERTISSEMENT: assurez-vous de lire et de comprendre le chapitre dédié à la sécurité avant d'installer le produit.



REMARQUE: Utilisez des pièces de rechange et du matériel d'installation d'origine.

Remarque: reportez-vous à la section www.husqvarna.com pour obtenir plus d'informations sur l'installation.

19.2 Détermination de l'emplacement de la station de référence



REMARQUE: si un paratonnerre se trouve dans la zone, n'installez pas la station de référence plus haut que le paratonnerre.

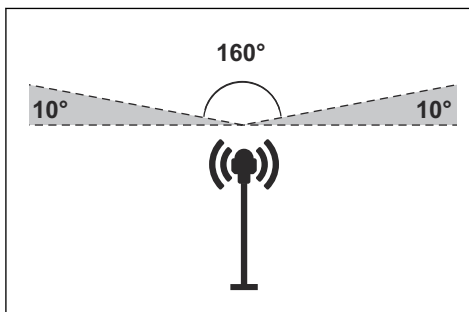


REMARQUE: N'installez pas la station de référence sur un mât de drapeau. Les mouvements de la station de référence affectent les données de correction envoyées au produit avec la position exacte.

- Installez la station de référence sur un objet fixe qui ne peut pas bouger ou pivoter.
- Installez la station de référence sur un montant ou un mur. Le montant doit mesurer 32-55 cm / 1.26-2.16 po de diamètre pour pouvoir installer les accessoires sur la station de référence.

Remarque: si la station de référence est installée sur un mur, sa partie supérieure doit se trouver au-dessus du mur. Il ne doit pas y avoir de métal dans le mur.

- Assurez-vous que la station de référence a une vue dégagée du ciel. Assurez-vous que le ciel est visible sans obstruction dans toutes les directions à partir d'un angle d'élévation de 10°.



- Installez la station de référence dans une position surélevée pour augmenter la portée du signal radio. Installez la station de référence à une hauteur minimale de 2.5 m / 8 pi.
- Assurez-vous que la distance maximale entre la station de référence et le produit est de 500 m / 1640 pi lorsque la visibilité est dégagée. Les objets entre la station de référence et le produit réduisent la distance.
- Installez la station de référence à l'endroit où le signal radio atteint toutes les parties de la zone de travail. Les grands objets peuvent bloquer les signaux radio.
- Assurez-vous d'avoir une visibilité dégagée entre le produit et la station de référence pour que les données de correction soient optimales.

Remarque: des réglages spéciaux sont nécessaires si le site dispose de plusieurs stations de référence. Pour plus d'informations, contactez votre représentant local Husqvarna.

19.3 Détermination de l'emplacement du bloc d'alimentation



AVERTISSEMENT: Ne coupez pas le câble basse tension. Il y a un risque de choc électrique.



REMARQUE: Assurez-vous que les lames du robot tondeuse ne coupent pas les câbles d'alimentation.

- Placez le bloc d'alimentation dans une zone protégée par un toit et à l'abri du soleil et de la pluie.
- Placez le bloc d'alimentation dans une zone bien ventilée.

- Utilisez un disjoncteur différentiel (RCD) pour brancher le bloc d'alimentation à la prise de courant.
- Si nécessaire, prolongez le câble basse tension. Le câble basse tension peut être prolongé jusqu'à 100 m / 328 pi.

19.4 Installation du produit

Assurez-vous de lire et de comprendre les instructions relatives à la station de référence. Reportez-vous à la section *Détermination de l'emplacement de la station de référence* à la page 27.

Lisez le manuel d'utilisation du robot tondeuse à utiliser avec la station de référence.

Vous pouvez installer la station de référence sur un montant ou un mur.



REMARQUE: Les mouvements de la station de référence affectent les données de correction envoyées au produit avec la position exacte. La station de référence doit être correctement installée sur le montant ou le mur.



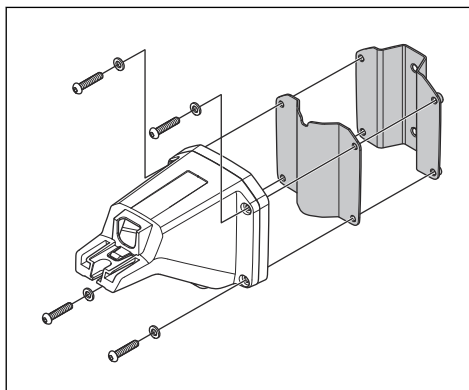
REMARQUE: Les éléments de la carte changent de position si vous déplacez la station de référence. Ajustez les éléments sur la carte ou effectuez à nouveau l'installation dans l'application Automower® Connect.

19.4.1 Outils d'installation

- Tournevis, Torx 20.
- Clé hexagonale, 4 mm. Incluse dans le carton.

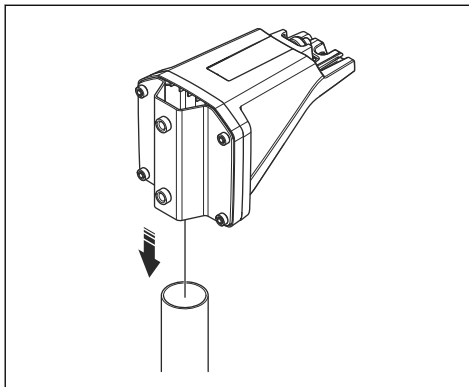
19.4.2 Pour installer la station de référence sur un montant

1. Fixez fermement le montant à un mur, à un toit ou au sol. Assurez-vous que le montant ne peut pas bouger ou être déplacé accidentellement.
2. Fixez le support et l'un des supports de montant au bras à l'aide des 4 vis (clé à six pans de 4 mm).



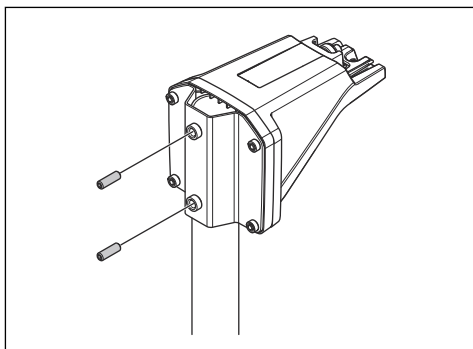
Remarque: les supports existent en 2 dimensions pour s'adapter aux différentes dimensions du montant. Sélectionnez le support de montant correspondant à votre installation.

3. Placez le bras sur le montant.

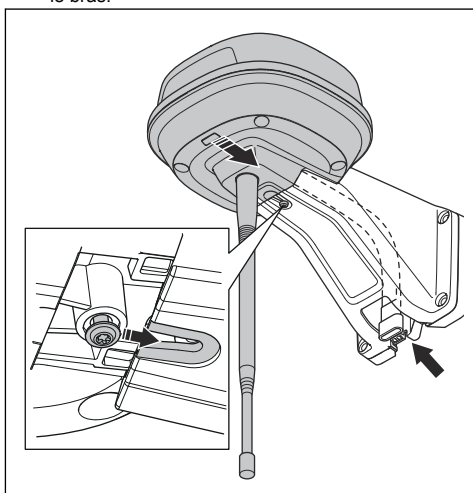


Remarque: la station de référence doit être installée en haut du montant.

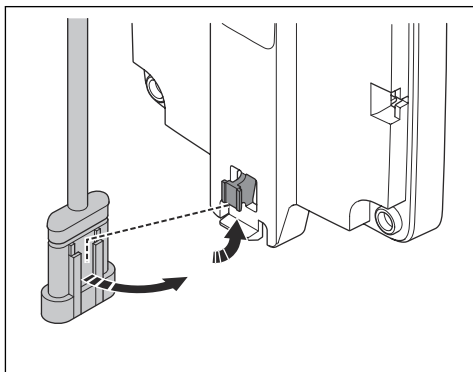
4. Fixez la station de référence au montant à l'aide des 2 vis (clé à six pans de 4 mm).



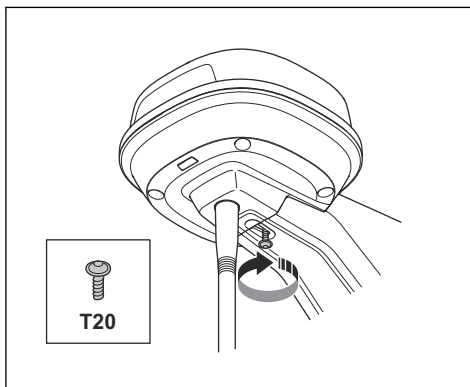
5. Placez le câble de la station de référence dans la fente du bras et installez la station de référence sur le bras.



6. Fixez le connecteur aux attaches du bras.



7. Serrez la vis (Torx 20) sur le bras de la station de référence.



8. Raccordez le câble basse tension à la station de référence et à l'alimentation électrique. Reportez-vous à *Détermination de l'emplacement du bloc d'alimentation à la page 27*.
9. Fixez le câble basse tension au montant entre la station de référence et l'alimentation électrique à l'aide de serre-câbles.



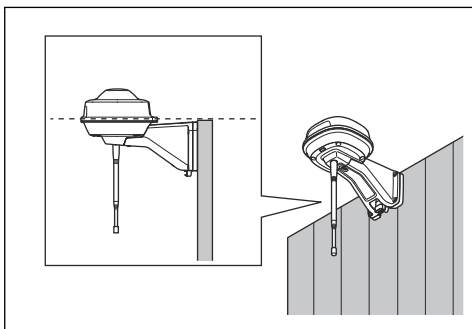
REMARQUE: Si le câble basse tension n'est pas correctement fixé à l'aide de serre-câbles, il peut être endommagé par le vent.

10. Placez l'alimentation électrique à 30-200 cm / 1-6.5 pi au-dessus du sol. Reportez-vous à *Détermination de l'emplacement du bloc d'alimentation à la page 27*.
11. Branchez le câble d'alimentation électrique sur une prise murale de 100-240 V.
12. Patientez jusqu'à ce que l'indicateur d'état LED soit vert fixe. L'indicateur d'état LED clignote d'abord en vert pendant quelques minutes. Reportez-vous à *Témoin LED sur la station de référence à la page 32*.

19.4.3 Pour installer la station de référence sur un mur

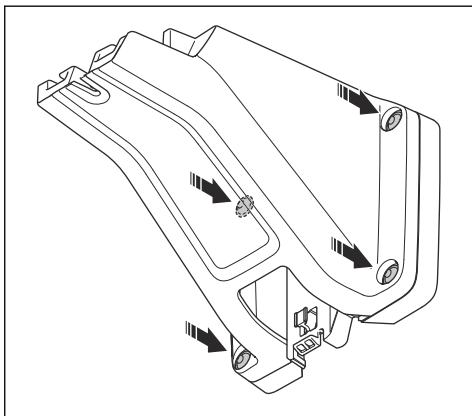
Remarque: comme les matériaux muraux varient, les vis de fixation au mur ne sont pas incluses.

1. Tenez le bras de la station de référence sur le mur à l'endroit où vous le fixez. Faites 4 repères sur le mur à l'endroit où vous voulez fixer les 4 vis.

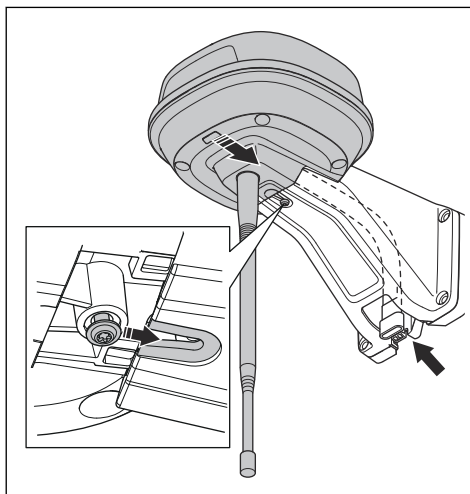


Remarque: Si la station de référence est installée sur un mur, sa partie supérieure doit se trouver au-dessus du mur.

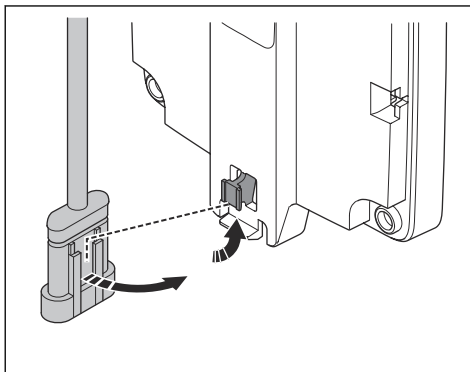
2. Percez 4 trous dans le mur pour les 4 vis.
3. Installez la station de référence sur le mur à l'aide de 4 vis.



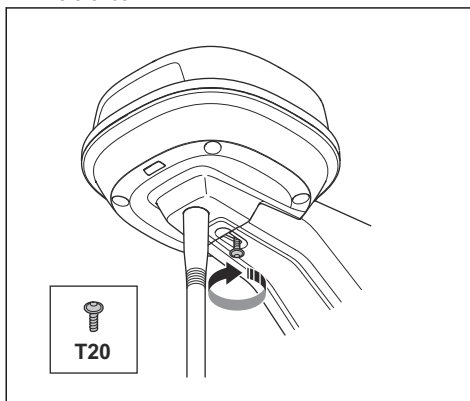
4. Placez le câble de la station de référence dans la fente du bras et installez la station de référence sur le bras.



5. Fixez le connecteur aux attaches du bras.



6. Serrez la vis (Torx 20) sur le bras de la station de référence.



7. Raccordez le câble basse tension à la station de référence et à l'alimentation électrique.
8. Fixez le câble basse tension au mur entre la station de référence et l'alimentation électrique à l'aide de serre-câbles.



REMARQUE: Si le câble basse tension n'est pas correctement fixé à l'aide de serre-câbles, il peut être endommagé par le vent.

9. Placez l'alimentation électrique à 30-200 cm / 1-6.5 pi au-dessus du sol. Reportez-vous

à *Détermination de l'emplacement du bloc d'alimentation à la page 27.*

10. Branchez le câble d'alimentation électrique sur une prise murale de 100-240 V.
11. Patientez jusqu'à ce que l'indicateur d'état LED soit vert fixe. L'indicateur d'état LED clignote d'abord en vert pendant quelques minutes. Reportez-vous à *Témoin LED sur la station de référence à la page 32.*

20 Entretien

20.1 Introduction - entretien

Pour un meilleur fonctionnement et une plus grande longévité, nettoyez régulièrement le produit et remplacez les pièces usées.

20.2 Calendrier d'entretien

Le calendrier d'entretien indique comment effectuer l'entretien et la révision du produit. Suivez le calendrier d'entretien pour un meilleur fonctionnement et pour augmenter la durée de vie du produit.

O = Les instructions ne sont pas mentionnées dans ce manuel d'utilisation. Contactez votre atelier d'entretien agréé.

X = Les instructions sont mentionnées dans ce manuel d'utilisation.

Pour se préparer	Tous les ans	Tous les trois ans
Nettoyez le produit. Reportez-vous à <i>Nettoyez le produit à la page 31.</i>	X	
Examinez le produit pour vérifier l'absence de dommages ou d'usure.	X	
Faites une mise à jour du firmware.	O	
Vérifiez les messages de service pour connaître les mises à niveau recommandées.	O	
Entretien		
Procédez à la vérification du couple de serrage des vis. Reportez-vous à <i>Couples de serrage à la page 32.</i>	X	
Remplacez le filtre à air.		O
Ouvrez le produit et remplacez toutes les bandes d'étanchéité.		O

20.3 Nettoyez le produit



AVERTISSEMENT: Débranchez le produit de l'alimentation électrique avant toute opération de maintenance ou de nettoyage.



REMARQUE: N'utilisez pas de nettoyeur haute pression pour nettoyer le produit. N'utilisez pas de solvants pour le nettoyage.

Si nécessaire, nettoyez le produit avec un chiffon humide.

20.4 Couples de serrage

Vis	Outil	Couple de serrage (Nm)
Châssis supérieur au châssis inférieur	Torx 20	1,8
Station de référence au bras	Torx 20	1,8
Bras au montant	Clé hexagonale, 4 mm	5-6
Bras, support de fixation et support de montant	Clé hexagonale, 4 mm	5-6

21 Dépannage

21.1 Témoin LED sur la station de référence

Voyant	Statut
Lumière verte clignotante	Démarrage de la station de référence. Cela peut prendre quelques minutes.
Lumière verte allumée en continu	En cours de fonctionnement.
Lumière rouge clignotante	La station de référence ne fonctionne pas en raison d'une erreur. Redémarrez le produit. Si le problème persiste, contactez votre revendeur agréé.
Lumière blanche clignotante	Une mise à jour du firmware est nécessaire. Contactez votre représentant Husqvarna local.

22 Remisage et mise au rebut

22.1 Remisage

Si vous remisagez la station de référence à l'intérieur, maintenez le bras installé sur le montant ou au mur pour pouvoir réinstaller la station de référence dans sa position d'origine.

Si vous gardez la station de référence à l'extérieur pendant l'hiver, nous vous recommandons de maintenir l'alimentation électrique connectée.

22.2 Mise au rebut

Respectez les consignes locales de recyclage et la réglementation en vigueur.

23 Caractéristiques techniques

23.1 Caractéristiques techniques

Dimensions	
Longueur, longueur max. avec plaque pour post-installation cm / po	36 / 13,8
Largeur, cm / po.	19 / 7,5
Hauteur, cm / po.	36 / 13,8
Poids, station de référence kg / lb	0,88 / 1,9
Poids, bras kg / lb	0,33 / 0,73

Station de référence	
Type d'unité d'alimentation électrique	ADP-40KR, ADP-40FW XX
Entrée d'alimentation, V CA	100-240
Sortie d'alimentation, V CC	28
Sortie d'alimentation, A	1,3
Câble basse tension, longueur m/pi	20 / 66
Code IP de la station de référence	IPX5
Code IP de l'unité d'alimentation électrique	IP44
Consommation électrique, W	2

Bandes de fréquence prises en charge	
Bluetooth® Plage de fréquences (pour l'entretien)	2 400,0 à 2 483,5 MHz
SRD868 (Europe)	863-870 MHz
SRD915 (Amérique du Nord)	902-928 MHz
SRD915 (Australie)	915-928 MHz
SRD915 (Nouvelle-Zélande)	915-928 MHz

Classe de puissance	
Bluetooth® Puissance de sortie (pour l'entretien)	8 dBm
SRD868 (Europe)	13 dBm
SRD915 (Amérique du Nord)	13 dBm
SRD915 (Australie)	13 dBm
SRD915 (Nouvelle-Zélande)	13 dBm

La compatibilité totale entre le produit et d'autres types de systèmes sans fil tels que les télécommandes et les émetteurs radio ne peut pas être garantie.

23.2 Marques déposées

La marque et les logos *Bluetooth®* sont des marques déposées appartenant à *Bluetooth SIG, inc.*, et toute utilisation de ces marques par Husqvarna est régie par une licence.

24 Applicable aux marchés US/CA

24.1 Déclaration de conformité du fournisseur

Distributeur : Husqvarna AB, Drottninggatan 2, S-561 82 Huskvarna, Sweden www.husqvarnagroup.com.

Partie responsable : Husqvarna Professional Products, Inc. 9335 Harris Corners Parkway Suite 500 Charlotte, NC 28269 United States U.S. Contact information: Michael Campbell, Sr Director Quality, test compliance, Telephone: +1 704 597 5000.

24.2 Exigences de conformité

ID FCC : MCQ-XBSX (station de référence).

FCC ID ZASHQ-BLE-1D (Bluetooth®).

Le module Bluetooth et le module radio sont situés à l'intérieur de la station de référence. Seul un technicien de maintenance agréé peut y accéder.



AVERTISSEMENT: Afin de satisfaire aux exigences en matière d'exposition aux radiofréquences, veuillez conserver une distance d'au moins 20 cm/7 pouces avec toute partie du produit.

Remarque: tout changement ou modification apporté à cet équipement non expressément approuvé par Husqvarna peut annuler l'autorisation de la FCC d'utiliser cet équipement.

Remarque: cet appareil est conforme à la partie 15 de la réglementation FCC [et avec les normes RSS d'exonération de licence Industry Canada]. Son utilisation est soumise aux deux conditions suivantes : cet appareil ne doit pas entraîner d'interférences dangereuses et doit accepter toute interférence reçue, y compris des interférences qui peuvent provoquer un fonctionnement non souhaité.

Remarque: cet équipement a été testé et jugé conforme aux limites imposées aux appareils numériques de classe B, conformément à la partie 15 de la réglementation FCC. Ces limites sont conçues pour fournir une protection raisonnable contre les interférences nuisibles dans les installations résidentielles. Cet équipement génère, utilise et peut émettre une énergie de fréquence radio, et, s'il n'est pas installé et utilisé conformément aux instructions, peut provoquer des interférences nuisibles aux communications radio. Cependant, rien ne garantit l'absence d'interférences dans une installation particulière. Si cet appareil provoque des interférences nuisibles à la réception radiophonique ou télévisuelle, ce qui peut être déterminé en allumant et en éteignant l'appareil, l'utilisateur est encouragé à essayer de corriger ces interférences en appliquant une ou plusieurs des mesures suivantes :

- Réorientez ou déplacez l'antenne de réception.
 - Augmentez la distance entre l'équipement et le récepteur.
 - Raccordez l'équipement à une prise sur un circuit différent de celui sur lequel est raccordé le récepteur.
 - Consultez le revendeur ou un technicien radio/TV expérimenté pour obtenir de l'aide.
-



AVERTISSEMENT: Cancer et problèmes reproductifs - www.P65Warnings.ca.gov.



Points de collecte sur www.quefairedemesdechets.fr
Privilégiez la réparation ou le don de votre appareil !



Husqvarna[®]

AUTOMOWER[®] is a trademark owned by Husqvarna AB.
Copyright[®] 2023 HUSQVARNA. All rights reserved.

www.husqvarna.com

Original instructions
Instrucciones originales
Instructions d'origine

1143260-38



2023-01-23