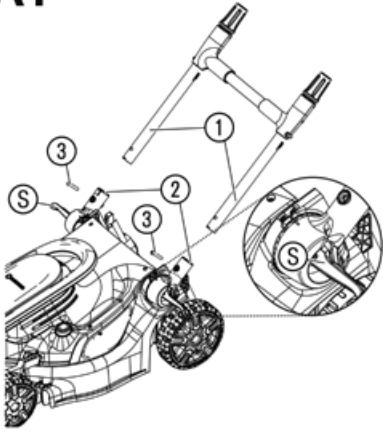
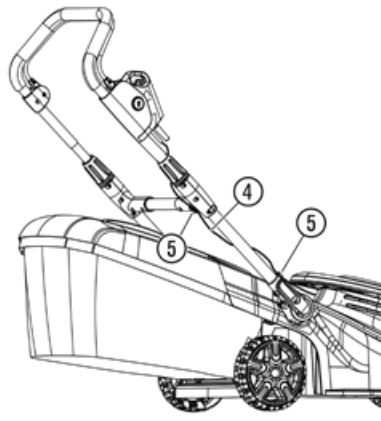
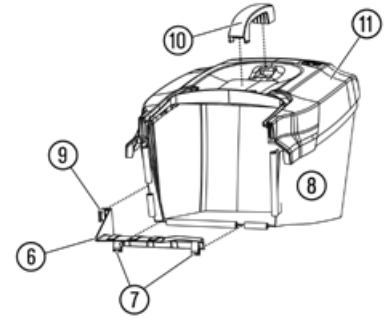
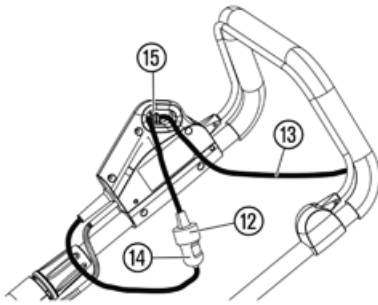
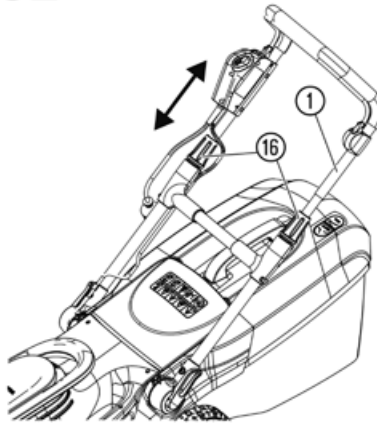
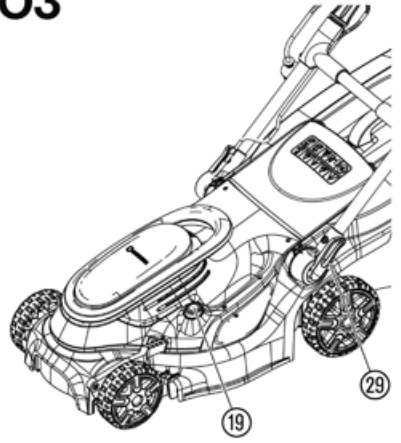
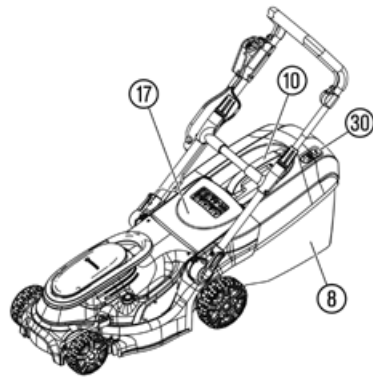
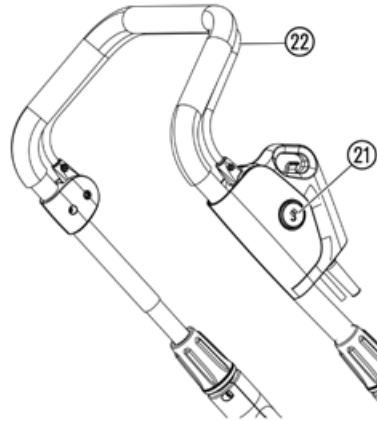
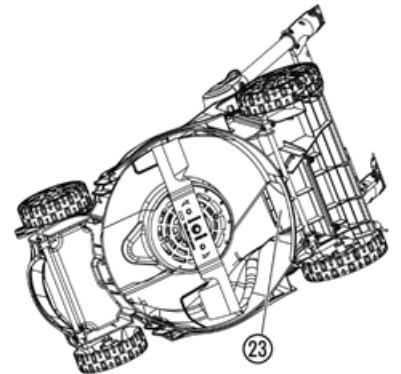
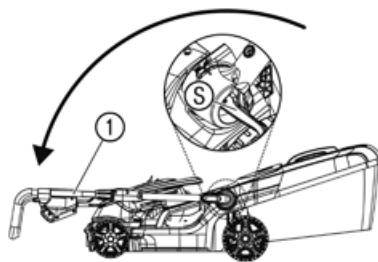


PowerMax 1800/37 G2

Art. 14637

<p><b>de Produkthaftung</b> Wir weisen ausdrücklich darauf hin, dass wir in Übereinstimmung mit dem Produkthaftungsgesetz nicht für Schäden haften, die durch unsere Produkte entstehen, wenn diese unsachgemäß und nicht durch einen von uns autorisierten Servicepartner repariert wurden oder wenn keine Original GARDENA Teile oder von uns zugelassene Teile verwendet wurden.</p>
<p><b>en Product liability</b> In accordance with the German Product Liability Act, we hereby expressly declare that we accept no liability for damage incurred from our products where said products have not been properly repaired by a GARDENA-approved service partner or where original GARDENA parts or parts authorised by GARDENA were not used.</p>
<p><b>fr Responsabilité</b> Conformément à la loi relative à la responsabilité du fait des produits défectueux, nous déclarons expressément par la présente que nous déclinons toute responsabilité pour les dommages résultant de nos produits, si lesdits produits n'ont pas été correctement réparés par un partenaire d'entretien agréé GARDENA ou si des pièces d'origine GARDENA ou des pièces agréées GARDENA n'ont pas été utilisées.</p>
<p><b>nl Productaansprakelijkheid</b> Conform de Duitse wet inzake productaansprakelijkheid verklaren wij hierbij uitdrukkelijk dat wij geen aansprakelijkheid aanvaarden voor schade ontstaan uit onze producten waarbij deze producten niet zijn gerepareerd door een GARDENA-erkende servicepartner of waarbij geen originele GARDENA-onderdelen of onderdelen die door GARDENA zijn goedgekeurd zijn gebruikt.</p>
<p><b>sv Produktansvar</b> I enlighet med tyska produktansvarslagar förklarar vi härmed uttryckligen att vi inte åtar oss något ansvar för skador som orsakas av våra produkter där produkterna inte har genomgått korrekt reparation från en GARDENA-godkänd servicepartner eller där originaldelar från GARDENA eller delar godkända av GARDENA inte använts.</p>
<p><b>da Produktaansvar</b> I overensstemmelse med den tyske produktansvarslov erklærer vi hermed udtrykkeligt, at vi ikke påtager os noget ansvar for skader på vores produkter, hvis de pågældende produkter ikke er blevet repareret korrekt af en GARDENA-godkendt servicepartner, eller hvor der ikke er brugt originale GARDENA-reservedele eller godkendte reservedele fra GARDENA.</p>
<p><b>fi Tuotevastuu</b> Saksan tuotevastuulain mukaisesti emme ole vastuussa laitteiden vaurioista, jos korjauksia ei ole tehnyt GARDENAn hyväksymä huoltoilike tai jos niiden synä on muiden kuin alkuperäisten GARDENA-varaosien tai GARDENAn hyväksymien varaosien käyttö.</p>
<p><b>it Responsabilità del prodotto</b> In conformità con la Legge tedesca sulla responsabilità del prodotto, con la presente dichiariamo espressamente che decliniamo qualsiasi responsabilità per danni causati dai nostri prodotti qualora non siano stati correttamente riparati presso un partner di assistenza approvato GARDENA o laddove non siano stati utilizzati ricambi originali o autorizzati GARDENA.</p>
<p><b>es Responsabilidad sobre el producto</b> De acuerdo con la Ley de responsabilidad sobre productos alemana, por la presente declaramos expresamente que no aceptamos ningún tipo de responsabilidad por los daños ocasionados por nuestros productos si dichos productos no han sido reparados por un socio de mantenimiento aprobado por GARDENA o si no se han utilizado piezas originales GARDENA o piezas autorizadas por GARDENA.</p>
<p><b>pt Responsabilidade pelo produto</b> De acordo com a lei alemã de responsabilidade pelo produto, declaramos que não nos responsabilizamos por danos causados pelos nossos produtos, caso os tais produtos não tenham sido devidamente reparados por um parceiro de assistência GARDENA aprovado ou se não tiverem sido utilizadas peças GARDENA originais ou peças autorizadas pela GARDENA.</p>
<p><b>pl Odpowiedzialność za produkt</b> Zgodnie z niemiecką ustawą o odpowiedzialności za produkt, niniejszym wyraźnie oświadczamy, że nie ponosimy żadnej odpowiedzialności za szkody poniesione na skutek użytkowania naszych produktów, w przypadku gdy naprawa tych produktów nie była odpowiednio przeprowadzana przez zatwierdzonego przez firmę GARDENA partnera serwisowego lub nie stosowano oryginalnych części GARDENA albo części autoryzowanych przez tę firmę.</p>
<p><b>hu Termékszavatosság</b> A németországi termékszavatossági törvénnyel összhangban ezennel nyomatékosan kijelentjük, hogy nem vállalunk felelősséget a termékeinkben keletkezett olyan károkért, amelyek valamely GARDENA által jóváhagyott szervizpartner által nem megfelelően végzett javításból adódtak, vagy amely során nem eredeti GARDENA alkatrészeket vagy a GARDENA által jóváhagyott alkatrészeket használtak fel.</p>
<p><b>cs Odpovědnost za výrobek</b> Upozorňujeme na to, že v souladu se zákonem o odpovědnosti za škodu způsobenou vadným výrobkem neručíme za škody, které způsobily naše produkty, pokud byly opraveny neodborně a ne námi autorizovaným servisním partnerem nebo pokud nebyly použity originální díly GARDENA nebo námi schválené díly.</p>
<p><b>sk Zodpovednosť za produkt</b> V súlade s nemeckými zákonmi o zodpovednosti za výrobok týmito výslovné prehlasujeme, že nenesieme žiadnu zodpovednosť za škody spôsobené našimi výrobkami, v prípade ktorých neboli náležite opravy vykonané servisným partnerom schváleným spoločnosťou GARDENA alebo neboli použité diely spoločnosti GARDENA alebo diely schválené spoločnosťou GARDENA.</p>
<p><b>el Ευθύνη προϊόντος</b> Σύμφωνα με τον γερμανικό νόμο περί Ευθύνης για τα Προϊόντα, με το παρόν δηλώνουμε ρητώς ότι δεν αποδεχόμαστε καμία ευθύνη για τυχόν ζημιές που προκύπτουν από τα προϊόντα μας εάν αυτά δεν έχουν επισκευαστεί σωστά από κάποιον εγκεκριμένο συνεργάτη επισκευών της GARDENA ή εάν δεν έχουν χρησιμοποιηθεί αυθεντικά εξαρτήματα GARDENA ή εξαρτήματα εγκεκριμένα από την GARDENA.</p>
<p><b>sl Odgovornost proizvajalca</b> V skladu z nemškimi zakoni o odgovornosti za izdelke, izrecno izjavljajo, da ne sprejemamo nobene odgovornosti za škodo, ki jo povzročijo naši izdelki, če teh niso ustrezno popravili GARDENINI odobreni servisni partnerji ali pri tem niso bili uporabljeni originalni GARDENINI nadomestni deli ali GARDENINIMI homologiranimi nadomestnimi deli.</p>
<p><b>hr Pouzdanost proizvoda</b> Sukladno njemačkom zakonu o pouzdanosti proizvoda, ovime izričito izjavljujemo kako ne prihvaćamo nikakvu odgovornost za oštećenja na našim proizvodima nastala uslijed neispravnog popravka od strane servisnog partnera kojeg odobrava GARDENA ili uslijed nekorištenja originalnih GARDENA dijelova ili dijelova koje odobrava GARDENA.</p>
<p><b>ro Răspunderea pentru produs</b> În conformitate cu Legea germană privind răspunderea pentru produs, declarăm în mod expres prin prezentul document că nu acceptăm nicio răspundere pentru defecțiunile suferite de produsele noastre atunci când acestea nu au fost reparate în mod corect de un atelier de service partener, aprobat de GARDENA, sau când nu au fost utilizate piese GARDENA originale sau piese autorizate de GARDENA.</p>
<p><b>bg Отговорност за вреди, причинени от стоки</b> Съгласно германския Закон за отговорността за вреди, причинени от стоки, с настоящото изрично декларираме, че не носим отговорност за щети, причинени от нашите продукти, ако те не са били правилно ремонтирани от одобрен от GARDENA сервиз или ако не са използвани оригинални части на GARDENA или части, одобрени от GARDENA.</p>
<p><b>et Tootevastutus</b> Vastavalt Saksamaa tootevastutusseadusele deklareerime käesolevaga selgesõnaliselt, et me ei kanna mingisugust vastutust meie toodetest tingitud kahjude eest, kui need tooted ei ole korrektselt parandatud GARDENA heakskiidetud hoolduspartneri poolt või kui parandamisel ei ole kasutatud GARDENA originaalosi või GARDENA volitatud osi.</p>
<p><b>lt Gaminio patikimumas</b> Mes aiškiai pareiškiamo, kad, atsižvelgiant į Vokietijos gaminių patikimumo įstatymą, neprisiimame atsakomybės dėl bet kokios žalos, patirtos dėl mūsų gaminių, jeigu jie buvo netinkamai taisomi arba jų dalys buvo pakeistos neoriginaliomis GARDENA dalimis ar nepatvirtintomis dalimis, arba jeigu remonto darbai buvo atliekami ne GARDENA techninės priežiūros centro specialistų.</p>
<p><b>lv Atbildība par produkcijas kvalitāti</b> Saskaņā ar Vācijas likumu par atbildību par produkcijas kvalitāti ar šo mēs paziņojam, ka neuzņemamies atbildību par bojājumiem, kas radušies, lietojot mūsu izstrādājumus, kuru remontu nav veicis uzņēmuma GARDENA apstiprināts apkopes partneris vai kuru remontam netika izmantotas oriģinālās GARDENA detaļas vai detaļas, kuru lietošanu apstiprinājis uzņēmums GARDENA.</p>

**A1****A2****A3****O1****O2****O3****O4****O5****M1****S1**

## en Battery Lawnmower

1. SAFETY WARNINGS . . . . .	8
2. ASSEMBLY . . . . .	10
3. OPERATION . . . . .	10
4. MAINTENANCE . . . . .	11
5. STORAGE . . . . .	11
6. TROUBLESHOOTING . . . . .	11
7. TECHNICAL DATA . . . . .	12
8. ACCESSORIES/ SPARE PARTS . . . . .	12
9. SERVICE . . . . .	12
10. DISPOSAL . . . . .	12

Translation of the original instructions.

### 1. SAFETY WARNINGS

#### 1.1 Explanation of the symbols:



Read operator's manual.



WARNING – Beware of thrown objects – keep bystanders away.



WARNING – Remove plug from mains before maintenance or if cord is damaged.



WARNING – Keep the supply cord away from the blades.



WARNING – Keep hands and feet away from the blades. Blades continue to rotate after the motor is switched off.



WARNING – Disconnect battery before maintenance.



WARNING – Remove the disabling device before maintenance.



WARNING – Operate the disabling device before maintenance.

#### 1.2 General safety warnings

##### 1.2.1 General machine safety warnings



WARNING!

Read all safety warnings, instructions, illustrations and specifications provided with this machine. Failure to follow the warnings and instructions may result in electric shock, fire and/or serious injury.

Save all warnings and instructions for future reference.

The term "machine" in the warnings refers to your mains operated (corded) machine or battery operated (cordless) machine.

##### 1) Work area safety

a) Keep work area clean and well lit. Cluttered or dark areas invite accidents.

**b) Do not operate machines in explosive atmospheres, such as in the presence of flammable liquids, gases or dust.**

*Machines create sparks which may ignite the dust or fumes.*

**c) Keep children and bystanders away while operating a machine.**

*Distractions can cause you to lose control.*

## 2) Electrical safety

**a) Machine plugs must match the outlet. Never modify the plug in any way. Do not use any adaptor plugs with earthed (grounded) machines.**

*Unmodified plugs and matching outlets will reduce risk of electric shock.*

**b) Avoid body contact with earthed or grounded surfaces, such as pipes, radiators, ranges and refrigerators.** *There is an increased risk of electric shock if your body is earthed or grounded.*

**c) Do not expose machines to rain or wet conditions.**

*Water entering a machine will increase the risk of electric shock.*

**d) Do not abuse the cord. Never use the cord for carrying, pulling or unplugging the machine. Keep cord away from heat, oil, sharp edges or moving parts.** *Damaged or entangled cords increase the risk of electric shock.*

**e) When operating a machine outdoors, use an extension cord suitable for outdoor use.**

*Use of a cord suitable for outdoor use reduces the risk of electric shock.*

**f) If operating a machine in a damp location is unavoidable, use a residual current device (RCD) protected supply.**

*Use of an RCD reduces the risk of electric shock.*

## 3) Personal safety

**a) Stay alert, watch what you are doing and use common sense when operating a machine. Do not use a machine while you are tired or under the influence of drugs, alcohol or medication.** *A moment of inattention while operating machines may result in serious personal injury.*

**b) Use personal protective equipment. Always wear eye protection.**

*Protective equipment such as dust mask, non-skid safety shoes, hard hat, or hearing protection used for appropriate conditions will reduce personal injuries.*

**c) Prevent unintentional starting. Ensure the switch is in the OFF-position before connecting to power source and/or battery pack, picking up or carrying the machine.** *Carrying machines with your finger on the switch or energising machines that have the switch on invites accidents.*

**d) Remove any adjusting key or wrench before turning the machine on.**

*A wrench or a key left attached to a rotating part of the machines may result in personal injury.*

**e) Do not overreach. Keep proper footing and balance at all times.**

*This enables better control of the machine in unexpected situations.*

**f) Dress properly. Do not wear loose clothing or jewellery. Keep your hair, clothing and gloves away from moving parts.**

*Loose clothes, jewellery or long hair can be caught in moving parts.*

**g) If devices are provided for the connection of dust extraction and collection facilities, ensure these are connected and properly used.**

*Use of dust collection can reduce dust-related hazards.*

**h) Do not let familiarity gained from frequent use of machines allow you to become complacent and ignore machine safety principles.**

*A careless action can cause severe injury within a fraction of a second.*

## 4) Machine use and care

**a) Do not force the machine. Use the correct machine for your application.** *The correct machine will do the job better and safer at the rate for which it was designed.*

**b) Do not use the machine if the switch does not turn it on and off.**

*Any machine that cannot be controlled with the switch is dangerous and must be repaired.*

**c) Disconnect the plug from the power source and/or the battery pack from the machine before making any adjustments, changing accessories, or storing machines.** *Such preventive safety measures reduce the risk of starting the machine accidentally.*

**d) Store idle machines out of the reach of children and do not allow persons unfamiliar with the machine or these instructions to operate the machine.** *Machines are dangerous in the hands of untrained users.*

**e) Maintain machines. Check for misalignment or binding of moving parts, breakage of parts and any other condition that may affect the machine's operation. If damaged, have the machine repaired before use.** *Many accidents are caused by poorly maintained machines.*

**f) Keep cutting tools sharp and clean.** *Properly maintained cutting tools with sharp cutting edges are less likely to bind and are easier to control.*

**g) Use the machine, accessories and tool bits etc. in accordance with these instructions, taking into account the working conditions and the work to be performed.** *Use of the machine for operations different from those intended could result in a hazardous situation.*

**h) Keep handles and grasping surfaces dry, clean and free from oil and grease.** *Slippery handles and grasping surfaces do not allow for safe handling and control of the machine in unexpected situations.*

## 5) Service

**Have your machine serviced by a qualified repair person using only identical replacement parts.**

*This will ensure that the safety of the machine is maintained.*

### 1.2.2 Lawnmower safety warnings

**a) Do not use the lawnmower in bad weather conditions, especially when there is a risk of lightning.** *This decreases the risk of being struck by lightning.*

**b) Thoroughly inspect the area for wildlife where the lawnmower is to be used.**

*Wildlife may be injured by the lawnmower during operation.*

**c) Thoroughly inspect the area where the lawnmower is to be used and remove all stones, sticks, wires, bones, and other foreign objects.**

*Thrown objects can cause personal injury.*

**d) Before using the lawnmower, always visually inspect to see that the blade and the blade assembly are not worn or damaged.**

*Worn or damaged parts increase the risk of injury.*

**e) Before use, check the supply cord and any extension cord for signs of damage or aging. Do not use the lawnmower if the cord is damaged or worn. If the cord is damaged or worn during use, switch off the lawnmower and do not touch the cord before disconnecting it from the supply.**

*A damaged supply cord or extension cord may result in electric shock, fire and/or serious injury.*

**f) Check the grass catcher frequently for wear or deterioration.**

*A worn or damaged grass catcher may increase the risk of personal injury.*

**g) Keep guards in place. Guards must be in working order and be properly mounted.**

*A guard that is loose, damaged, or is not functioning correctly may result in personal injury.*

**h) Keep all cooling air inlets clear of debris.** *Blocked air inlets and debris may result in overheating or risk of fire.*

**i) While operating the lawnmower, always wear non-slip and protective footwear. Do not operate the lawnmower when barefoot or wearing open sandals.**

*This reduces the chance of injury to the feet from contact with the moving blade.*

**j) While operating the lawnmower, always wear long trousers.**

*Exposed skin increases the likelihood of injury from thrown objects.*

**k) Do not operate the lawnmower in wet grass. Walk, never run.**

*This reduces the risk of slipping and falling which may result in personal injury.*

**l) Do not operate the lawnmower on excessively steep slopes.**

*This reduces the risk of loss of control, slipping and falling which may result in personal injury.*

**m) When working on slopes, always be sure of your footing, always work across the face of slopes, never up or down and exercise extreme caution when changing direction.** *This reduces the risk of loss of control, slipping and falling which may result in personal injury.*

**n) Use extreme caution when reversing or pulling the lawnmower towards you. Always be aware of your surroundings.**

*This reduces the risk of tripping during operation.*

**o) Keep the supply cord away from the cutting blades.** *A damaged supply cord may result in electric shock, fire and/or serious injury.*

**p) Switch off and remove plug from mains if the cord is entangled or damaged.** *Entangled or damaged cords can increase the risk of electric shock.*

**q) Do not touch blades and other hazardous moving parts while they are still in motion.** *This reduces the risk of injury from moving parts.*

**r) When clearing jammed material or cleaning the lawnmower, make sure all power switches are off and the power cord is disconnected.**

*Unexpected operation of the lawnmower may result in serious personal injury.*

Stop the cutting means if the machine has to be tilted for transportation, when crossing surfaces other than grass and when transporting the machine to and from the area to be used.

Do not tilt the machine when switching on the motor, except if the machine has to be tilted for starting. In this case, do not tilt it more than absolutely necessary and lift only the part which is away from the operator.

Stop the machine, and remove plug from the socket, and make sure that all moving parts have come to a complete stop:

- After striking a foreign object, inspect the machine for damage and make repairs before restarting and operating the machine
- If the machine starts to vibrate abnormally, immediately inspect for damage, replace or repair any damaged parts and check for and tighten any loose parts.

**Maintain the mower at regular intervals.**

*This will extend the working life of the mower.*

**Only use spare parts recommended by GARDENA.**

*This is the only way to ensure safe use of the mower.*

Be careful during adjustment of the machine to prevent entrapment of the fingers between moving cutting means and fixed parts of the machine.

Always allow the machine to cool down before storing.

When servicing the cutting means be aware that, even though the power source is switched off, the cutting means can still be moved.

We recommend to wear a hearing protection.

## 1.3 Additional safety warnings

### 1.3.1 Intended use:

The **GARDENA Lawnmower** is intended to mow lawn in private domestic gardens and allotments.

The product is not intended for long term use (professional use).



**DANGER!**

**Risk of physical injury!**

→ Do not use the product to cut bushes, hedges, shrubs, to cut of climbers or grass on roofs or balcony boxes, to chop up branches, twigs and to level irregularities in the soil.

→ Do not use the product on a slope steeper than 20° maximum.

### 1.3.2 Additional electrical safety warnings



**DANGER!**  
**Cardiac arrest!**

This product makes an electromagnetic field while it operates. This field may under some conditions interfere with active or passive medical implants. To decrease the risk of conditions that can possibly injure or kill, we recommend persons with medical implants to speak with their physician and the medical implant manufacturer before you operate the product.

- Do not use in explosive environment.
- Do not operate the product in rain or wet conditions.  
*This may increase the risk of electric shock.*

### 1.3.3 Additional personal safety warnings



**DANGER!**  
**Risk of suffocation!**

Small parts can be easily swallowed. There is also a risk that the polybag can suffocate toddlers.

- **Keep toddlers away when you assemble the product.**
- Do not cut grass by pulling the machine towards you.
- Keep the air inlets clean with a brush before storage.
- Do not reach through openings while using the mower.
- Disabled or weak persons should ask a second person for help with the transport (weight).
- Do not disassemble the product further than the delivery status.
- Use gloves, wear slip resistant shoes and wear eye protection.
- Only start the mower with an upright standed handle.
- Do not overload the mower.
- Never operate the product when you are tired, ill or under the influence of alcohol, drugs, or medicine.

## 2. ASSEMBLY



**DANGER!**  
**Cutting injury due to the blade!**

Risk of cut injury due to accidental starting.

- Use gloves.
- Wait for the blade to stop.
- Pull the mains plug out of the mains socket.

### 2.1 To assemble the handlebar [Fig. A1]:

1. Fold both levers ⑤ outwards.
2. Turn both handlebar holders ② to the operating position.
3. Push both levers ⑤ to the handlebar ①.
4. Unscrew the two pre-assembled screws ③ from the handlebar holders ②.
5. Push the handlebar ① into the handlebar holders ②.  
*Make sure that the handlebar is completely in place and the holes of the handlebar are inline up with the holes of the handlebar holders.*
6. Put both screws ③ in the holes of the openings ② in the mower.
7. Tighten both screws ③ with a screwdriver.  
*Make sure that the screws are completely tightened.*

### 2.2 To attach the cable to the handlebar [Fig. A2]:

- Attach the cable ④ to the clamps ⑤ on the handlebar ①.  
*Make sure that the cable is not trapped between the handlebar and the mower, otherwise the cable may be damaged.*

### 2.3 To assemble the grass catcher bag [Fig. A3]:

1. First Push the tongue ⑥ into the two connectors ⑦ at the bottom of the grass catcher bag ⑧ until the connections audibly engages.  
*Make sure that both connectors are engaged.*
2. Then Push the tongue ⑥ into the connector ⑨ on the side of the grass catcher bag ⑧ until the connection audibly engages.  
*Make sure that the connector is engaged.*
3. First push the catcher bag handle ⑩ at the back into the catcher bag cover ⑪.
4. Then push the catcher bag handle ⑩ at the front into the catcher bag cover ⑪ until the connections audibly engages.  
*Make sure that all connectors are engaged.*

## 3. OPERATION



**DANGER!**  
**Cutting injury due to the blade!**

Risk of cut injury due to accidental starting.

- Use gloves.
- Wait for the blade to stop.
- Pull the mains plug out of the mains socket.

### 3.1 To connect the mower [Fig. O1]:



**CAUTION!**  
**Electric shock!**

To avoid damage to the plug the extension cable must be inserted into the cable lock.

- Before you operate insert the extension cable into the cable lock.

1. Plug the socket ⑫ of the extension cable ⑬ onto the plug ⑭ on the mower.
2. Loop the extension cable ⑬, insert the loop into the cable lock ⑮ and pull tight.
3. Plug the extension cable ⑬ into a mains socket.

### 3.2 Working position:

- Adjust the height of the handlebar so that you are in an upright position when using the mower.

### 3.2.1 To adjust the handlebar length [Fig. O2]:

The handlebar length can be adjusted to your body height.

1. Loosen both nuts ⑯.
2. Adjust the handlebar ① to the required length.
3. Tighten both nuts ⑯ again.

### 3.3 To adjust the cutting height [Fig. O3]:

The cutting height can be adjusted from 35 – 65 mm in 4 positions.

#### 3.3.1 To reduce the cutting height:

- Push the button ⑰ and push the handle ⑱ down to reduce the cutting height.

#### 3.3.2 To increase the cutting height:

- Push the button ⑰ and pull the handle ⑱ upwards to increase the cutting height.

### 3.4 To mow with the grass catcher bag [Fig. O4]:



**DANGER!**  
**Cutting injury due to the blade!**

Risk of cut injury due to accidental starting.

- Do not put your hands in the discharge opening.

#### 3.4.1 To put the grass catcher bag into the mower:

1. Lift the protective flap ⑲.
2. Put the grass catcher bag ⑧ into the mower by the handle ⑩.  
*Make sure that the grass box is securely connected.*
3. Start the mower.

#### 3.4.2 To empty the grass catcher bag:

The level indicator ⑳ opens during mowing. When it closes during mowing, the grass catcher bag is full.

1. When the grass catcher bag ⑧ is full, stop the mower.
2. Lift the protective flap ⑲.
3. Remove the grass catcher bag by the handle ⑩.
4. Empty the grass catcher bag ⑧.

### 3.5 To start/To stop the mower [Fig. 01/05]:



#### DANGER!

#### Risk of physical injury!

Risk of injury if the product does not stop when the start lever is released.

- Do not bypass the safety devices or switches.
- For example do not attach the start lever to the handle.

#### 3.5.1 To start the mower:

The product is provided with a two-handed safety device (start lever and safety interlock) to prevent the product from being turned on by accident.

1. Push the safety interlock (2) with one hand and pull the start lever (2) with the other hand to the handle.  
*The mower starts.*
2. Release the safety interlock (2).

#### 3.5.2 To stop the mower:

- Release the start lever (2).  
*The mower stops.*

### 3.6 Hints to mow:

#### 3.6.1 Hints to use the mower:

If grass residue is left in the discharge opening, pull the mower backwards about 1 m so that the grass residue can drop out downwards.

To produce a well-maintained lawn, we recommend to cut the lawn regularly once a week if possible. The lawn becomes denser if you cut it frequently.

After relatively long cutting intervals (holiday lawn), first of all cut in one direction with the highest cutting height and then cut in the crosswise direction with the required cutting height. This prevents a possible blockage of the blade by too much grass residue.

If possible, only cut the grass when it is dry. If the grass is damp, the cutting pattern will be uneven.

## 4. MAINTENANCE



#### DANGER!

#### Cutting injury due to the blade!

Risk of cut injury due to accidental starting.

- Use gloves.
- Wait for the blade to stop.
- Pull the mains plug out of the mains socket.

### 4.1 To clean the mower:



#### DANGER!

#### Risk of physical injury!

Risk of injury and risk of damage to the product.

- Do not clean the product with water or with a water jet (in particular high-pressure water jet).
- Do not clean with chemicals including petrol or solvents. Some can destroy critical plastic parts.

#### The airflow slots must always be clean.

- Clean the overside and underside of the mower after each use.

#### 4.1.1 To clean the overside of the mower:

1. Clean the overside with a damp cloth.
2. Clean the airflow slots and the grass box with a soft brush (do not use sharp objects).

#### 4.1.2 To clean the underside of the mower [Fig. M1]:

1. Lay the mower on its side carefully.
2. Clean the underside, the blade and the discharge opening (2) with a soft brush (do not use sharp objects).

#### 4.1.3 To clean the grass catcher bag:

- Clean the grass catcher bag with a soft brush (do not use sharp objects).

## 5. STORAGE

### 5.1 To put into storage:

The product must be stored away from children.

1. Pull the mains plug out of the mains socket.
2. Empty the grass catcher bag.
3. Clean the mower (see 4. MAINTENANCE).
4. Store the mower in a dry, enclosed and frost-free place.

#### 5.1.1 Storage position to save space [Fig. S1]:

1. Fold both levers (5) outwards.
2. Fold the handlebar (1) downwards onto the mower.  
*Make sure that the cable is not trapped between the handlebar and the mower, otherwise the cable may be damaged.*
3. Push both levers (5) to the handlebar (1).

## 6. TROUBLESHOOTING



#### DANGER!

#### Cutting injury due to the blade!

Risk of cut injury due to accidental starting.

- Use gloves.
- Wait for the blade to stop.
- Pull the mains plug out of the mains socket.

### 6.1 To replace the blade:



#### DANGER!

#### Risk of physical injury!

Risk of cutting injuries if a damaged or bent knife or one with unbalanced or chipped cutting edges rotates.

- Do not use the mower when the blade is damaged, bent, out of balance or has chipped edges.
- Do not grind the blade.

The **GARDENA spare parts** are available from your **GARDENA dealer** or from the **GARDENA service**.

1. Only use an original **GARDENA Replacement blade** **Art. 4103**
2. Let the blade be replaced by the GARDENA Service or a specialist dealer authorised by GARDENA.

### 6.2 Troubleshooting table:

Problem	Possible Cause	Remedy
<b>Mower does not start</b>	Extension cable is disconnected or damaged.	→ Connect the extension cable or if necessary replace it.
<b>Motor is blocked</b>	Obstacle blocks the motor.	→ Remove the obstacle.
	Cutting height is too low.	→ Increase the cutting height.
<b>Loud noises, the mower is rattling</b>	Screws on motor, its fixing or on the mower chasing are loose.	→ Let the screws be tightened by an authorised specialist dealer or the GARDENA Service.
<b>Mower runs unevenly or vibrates strongly</b>	Blade is damaged or worn.	→ Replace the blade.
	Blade bolt is released.	→ Tighten the blade bolt.
	Blade is very dirty.	→ Clean the mower. If this does not solve the problem, contact the GARDENA Service.
<b>Lawn is not cleanly mowed</b>	Blade is blunt or damaged.	→ Replace the blade.
	Cutting height is too low.	→ Increase the cutting height.

**NOTE:**

Repairs must only be done by the GARDENA service departments or specialist dealers approved by GARDENA.

→ For any other malfunctions please contact the GARDENA service department.

## 7. TECHNICAL DATA

<i>Electric Lawnmower</i>	<b>Unit</b>	<b>Value (Art. 14637)</b>
Rated power	W	1800
Mains voltage	V (AC)	230
Mains frequency	Hz	50 / 60
Speed of rotation cutting blade	rpm	3500
Cutting width	cm	37
Cutting height adjustment (4 positions)	mm	35 – 65
Volume of grass catcher bag	l	45
Weight	kg	14.2
Sound pressure level $L_{pA}$ <sup>1)</sup> Uncertainty $k_{pA}$	dB (A)	83 3
Sound power level $L_{WA}$ <sup>2)</sup> : measured/guaranteed Uncertainty $k_{WA}$	dB (A)	94 / 96 1.2
Hand/arm vibration $a_{vhw}$ <sup>1)</sup> Uncertainty $k_{vhw}$	m/s <sup>2</sup>	≤ 2.5 1.5

Measuring process complying with: <sup>1)</sup> EN IEC 62841-4-3 <sup>2)</sup> RL 2000/14/EC / S.I. 2001 No.1701



**NOTE:** The stated vibration emission value has been measured according to a standardised test procedure and can be used for comparison of one electric power tool with another. It can also be used for preliminary evaluation of exposure. The vibration emission value can vary during actual use of the electric power tool depending on the ways in which the machine is used. As a safety measure, you should work with the machine for a maximum of 1 hour without interruption.

## 8. ACCESSORIES/SPARE PARTS

GARDENA Replacement Blade	As replacement for blunt blade.	Art. 4103
---------------------------	---------------------------------	-----------

## 9. SERVICE

Please contact the address on the enclosed warranty card.

## 10. DISPOSAL

### 10.1 Disposal of the mower

(according to Directive 2012/19/EU/S.I. 2013 No. 3113):



The product must not be disposed of to normal household waste. It must be disposed of in line with local environmental regulations.

### IMPORTANT!

→ Dispose of the product through or via your local recycling collection centre.





**EN UKCA Declaration of Conformity**

The manufacturer: GARDENA Germany AB, PO Box 7454, S-103 92 Stockholm, Sweden hereby certifies, when leaving our factory, the unit(s) indicated below is/are in accordance with the UK Regulations, designated standards of safety and product specific designated standards. This certificate becomes void if the units are modified without our approval.

Description of the product: **Electric Lawnmower**

Product type: **PowerMax 1800/37 G2**

Article number: **14637**

UK regulations: **S.I. 2008/1597  
S.I. 2016/1091  
S.I. 2012/3032  
S.I. 2001/1701**

Designated standards: **EN ISO 12100  
EN 62841-1  
EN IEC 62841-4-3**

Conformity assessment body: **Intertek Testing & Certification Ltd.  
Academy Place, 1 – 9 Brook Street  
Brentwood, Essex  
CM14 5NQ  
United Kingdom  
Approved Body Number: 0359**

Number of notified body: **0158**

Authorised representative: **Husqvarna UK Limited  
Preston Road  
Aycliffe  
County Durham  
UK DL5 6UP**

Deposited documentation: **GARDENA Technische Dokumentation  
M. Jäger  
89079 Ulm**

Noise level: measured / guaranteed **94 dB(A) / 96 dB(A)**

Conformity assessment according to: **According to S.I. 2001/1701 Art. 11 Schedule 9**

Ulm, 30.09.2022

Authorised Representative:



**Reinhard Pompe**  
Vice President Products



**Wolfgang Engelhardt**  
Vice President Supply Chain

**Deutschland / Germany**  
GARDENA Manufacturing GmbH  
Central Service  
Hans-Lorenser-Straße 40  
D-89079 Ulm  
Produktfragen:  
(+49) 731 490-123  
Reparaturen:  
(+49) 731 490-290  
service@gardena.com  
http://www.gardena.com

**Albania**  
KRAFT SHPK  
Autostrada Tirane-Durres  
Km 7  
1051 Tirane  
Phone: (+355) 69 877 7821  
info@kraft.al

**Argentina**  
ROBERTO C. RUMBO S.R.L.  
Piedro Noriog  
Lote 7  
Benavidez, ZC: 1621  
Buenos Aires  
ventas@rumbosr.com.ar

**Armenia**  
AES Systems LLC  
Marshal Babajanyan Avenue 56/2  
0022 Yerevan  
Phone: (+374) 60 651 651  
masisoharyan@cloud.com

**Australia**  
Husqvarna Australia Pty. Ltd.  
Locked Bag 5  
Central Coast BC  
NSW 2252  
Phone: (+61) (0) 2 4352 7400  
customer.service@husqvarna.com.au

**Austria / Österreich**  
Husqvarna Austria GmbH  
Industrieleize 36  
4010 Linz  
Tel.: (+43) 732 77 01 01-485  
service.gardena@husqvarnagroup.com

**Azerbaijan**  
Progres Xüsusi Firması  
Aliyar Aliyev 212, Baku, Azerbaijan  
Sales: +994 70 326 07 14  
Aftersales: +994 77 326 07 14  
www.progress-garden.az  
info@progress-garden.az

**Bahrain**  
M.H. Al-Mahroos  
BUILDING 208, BLOCK 356,  
ROAD 328  
Sahiya  
Phone: +973 1740 8090  
almahroos@almahroos.com

**Belarus / Беларусь**  
ООО «Мастер Гарден»  
220118, г. Минск,  
улица Шаранговича, дом 7а  
Тел. (+375) 17 257 00 33  
mg@mastergarden.by

**Belgium**  
Husqvarna Belgium nv  
Gardena Division  
Leuvensesteenweg 542  
Planet II E  
1930 Zaventem  
Belgie

**Bosnia / Herzegovina**  
Silk Trade d.o.o.  
Poslovna Zona Vila Br. 20  
Phone: (+387) 61 165 593  
info@silkttrade.com.ba

**Brazil**  
Nortech Maquinas e Motores Ltd.  
Avenida Juscelino Kubitschek de Oliveira  
Curitiba  
3003 Brazil  
Phone: (+55) 41 3595-9600  
contato@nortech.com.br  
www.nortech.com.br

**Bulgaria**  
AGROLAND България АД  
бул. 8 Декември, № 13  
Офис 5  
1700 Студентски град  
София  
Тел.: (+359) 24 66 6910  
info@agroland.eu

**Canada / USA**  
GARDENA Canada Ltd.  
100 Summerlea Road  
Brampton, Ontario L6T 4X3  
Phone: (+1) 905 792 93 30  
info@gardenacanada.com

**Chile**  
REPRESENTACIONES JCE S.A.  
2286 Avenida General Oscar Bonilla  
Concepcion  
Phone: (+56) 2 2414 2600  
contacto@jce.cl

**China**  
Husqvarna (Shanghai)  
Management Co., Ltd.  
高世华 (上海) 管理有限公司  
3F, Bang Square B,  
No.207, Song Hong Rd.,  
Chang Ning District,  
Shanghai, PRC. 200335  
上海市市长宁区崧虹路207号明  
基广场B座3楼, 邮编: 200335

**Colombia**  
Equipos de Toyoma Colombia SAS  
Cra. 68 D № 25 B 86 Of. 618  
Edificio Torre Central  
Bogota  
Phone: +57 (1) 703 9520  
+57 (1) 703 9522  
serviciocliente@toyoma.com.co  
www.toyama.com.co

**Costa Rica**  
Exim CIA Costa Rica  
Calle 25A, B°. Montalegre  
Zapote  
San José  
Costa Rica  
Phone: (+506) 2221-5654  
(+506) 2221-5659  
eximcostarica@gmail.com

**Croatia**  
Husqvarna Austria GmbH  
Industrieleize 36  
4010 Linz  
Phone: (+43) 732 77 01 01-485  
service.gardena@husqvarnagroup.com

**Cyprus**  
Pantelis Papadopoulos S.A.  
92 Athinon Avenue  
Athens  
10442 Greece  
Phone: (+30) 21 0519 3100  
infocyp@papadopoulos.com.gr

**Czech Republic**  
Gardena  
Service Center Vrbno  
c/o Husqvarna  
Manufacturing CZ s.r.o.  
Jesenická 146  
79326 Vrbno pod Pradedem  
Phone: 800 100 425  
servis@gardena.cz

**Denmark**  
GARDENA DANMARK  
Lejvej 19, st.  
3500 Værløse  
Tel.: (+45) 70 26 47 70  
husqvarna@husqvarna.dk  
www.gardena.com/dk

**Dominican Republic**  
BOSQUESA, S.R.L.  
Carretera Santiago Licey  
Km. 5 ½  
Esquina Copal II.  
Santiago De Los Caballeros  
51000 Dominican Republic  
Phone: (+1) 809-562-0476  
contacto@bosquesa.com.do

**Egypt**  
Universal Agencies Co  
26, Abdel Hamid Lofly St.  
Giza  
Phone: 3761 5757  
https://gardeningegypt.com/  
hany.masoud@univag.org/

**Estonia**  
Husqvarna Eesti OÜ  
Valdeku 132  
EE-11216 Tallinn  
info@gardena.ee

**Finland**  
Oy Husqvarna Ab  
Gardena Division  
Lautatarhankatu 8 B / PL 3  
00581 HELSINKI  
www.gardena.fi

**France**  
Husqvarna France  
9/11 Allée des pierres mayettes  
92235 Gennemilliers Cedex  
France  
http://www.gardena.com/fr  
N° AZUR: 0 810 00 78 23  
(Prix d'un appel local)

**Georgia**  
Transporter LLC  
#70, Bellashvili street  
0159 Tbilisi, Georgia  
Number: (+995) 322 14 71 71  
info@transporter.com.ge  
www.transporter.com.ge

**Service Address and Importer to Great Britain**  
Husqvarna UK Ltd  
Preston Road  
Aycliffe Industrial Park  
Newton Aycliffe  
County Durham  
DL5 6UP  
Phone: (+44) (0) 344 844 4558  
info.gardena@husqvarna.co.uk

**Greece**  
Π.ΠΑΠΑΔΟΠΟΥΛΟΣ ΑΕΒΕ  
Λεωφ. Αθήνων 32  
Αθήνα  
Τ.Κ.104 42  
Ελλάδα  
Τηλ. (+30) 210 5193 100  
info@papadopoulos.com.gr

**Hong Kong**  
Tung Tai Company  
151-153 Hoi Bun Road  
Kwun Tong, Kowloon  
Hong Kong  
Phone: (+852) 3583 1662  
admin@tungtaico.com

**Hungary**  
Husqvarna Magyarorszag Kft.  
Ezred u. 1 – 3  
1044 Budapest  
Phone: (+36) 1 251-4161  
vevoszolgalat.husqvarna@husqvarna.hu

**Iceland**  
BYKO ehf.  
Skermmuvogi 2a  
200 Kópavogur  
Phone: (+354) 515 4000  
byko@byko.is

MHG Verslum ehf  
Vikurhvarf 8  
203 Kópavogur  
Phone: (+354) 544 4656

**India**  
B K RAMAN AND CO  
Plot No. 185, Industrial Area,  
Phase-2, Ram Darbar  
Chandigarh  
160002 India  
Phone: (+91) 98140 06530  
raman@jaganhardware.com

**Iraq**  
Alshiem Alakhdar Company  
Al-Faysaliah, Near Estate Bank  
Mosul  
Phone: (+964) 78 18 46 75

**Ireland**  
Liffey Distributors Ltd.  
309 NW Business Park, Ballycoolen  
15 Dublin  
Phone: (+353) 1 824 2600  
info@liffeyd.com

**Israel**  
HAGARIN LTD.  
2 Nahal Harif St.  
8122201 Yavne  
internet@hagarin.co.il  
Phone: (+972) 8-932-0400

**Italy**  
Husqvarna Italia S.p.A.  
Via Santa Vecchia 15  
23868 VALLMADRERA (LC)  
Phone: (+39) 0341.203.111  
assistenza.italia@it.husqvarna.com

**Japan**  
Husqvarna Zenoh Co. Ltd. Japan  
1-9 Minamidai, Kawagoe  
350-1165 Saitama  
Japan  
gardena-jp@husqvarnagroup.com

**Kazakhstan**  
TOO "Ламэд"  
Russian  
Адрес: Қазақстан, г. Алматы,  
ул. Тажибаевой, 155/1  
Тел.: (+7) (727) 355 64 00  
(+7) (700) 355 64 00  
lamed@lamed.kz

*Kazakh*  
Мекен-жайы: Қазақстан,  
Алматы қ.,  
көш. Тажибаевой, 155/1  
Тел.: (+7) (727) 355 64 00  
(+7) (700) 355 64 00  
lamed@lamed.kz

**Korea**  
Kyung Jin Trading Co., Ltd  
107-4, Sunduk Bld, Yangjae-Dong  
Seocho-Gu  
137-891 Seoul  
Phone: (+82) 2 574 6300  
kjh@kjh.co.kr

**Kuwait**  
Palms Agro Production Co  
Al Rai- Fourth Ring Road – Block 56.  
P.O.Box: 1976 Safat  
13020 Al-Rai  
Phone: 24730745  
info@palms-kw.com

**Kyrgyzstan**  
O'So Ayla Maki  
Av. Molodaya Guardia 83  
720014 Bishkek  
Phone: (+996) 312 322115

**Latvia**  
Husqvarna Latvija SIA  
Ulbrokas 19A  
LV-1021 Riga  
info@gardena.lv

**Lebanon**  
Technomec  
Safra Highway (Beirut – Tripoli) Center  
622 Mezher Bldg.  
P.O.Box 215  
Jounieh  
Phone: (+961) 9 853527  
(+961) 3 855481  
tecnomec@idm.net.lb

**Lithuania**  
UAB Husqvarna Lietuva  
Ateities pl. 77C  
LT-52104 Kaunas  
info@gardena.lt

**Luxembourg**  
Magasin Jules Neuberg  
39, rue Jacques Stas  
Luxembourg-Gasperich 2549  
Case Postale No. 12  
Luxembourg 2010  
Phone: (+352) 40 14 01  
api@neuberg.lu

**Malaysia**  
Glomedic International Sdn Bhd  
Jalan Ruang No. 30  
Shah Alam, Selangor  
40150 Malaysia  
Phone: (03)-7734 7997  
case@glomedic.com.my

**Malta**  
I.V. Portelli & Sons Ltd.  
85, 86, Triq San Pawl  
Rabat - RBT 1240  
Phone: (+356) 2145 4289

**Mauritius**  
Espace Maison Ltée  
La City Trianon, St Jean  
Quatre Bornes  
Phone: (+230) 401 6950  
info@espacemaison.mu

**Mexico**  
AFOSA  
Av. Lopez Mateos Sur # 5019  
Col. La Calma 45070  
Zapopan, Jalisco, Mexico  
Phone: (+52) 33 3818-3434  
info@afosa.com.mx

**Moldova**  
Convel SRL  
Republica Moldova,  
mun. Chisinau,  
sos. Muncesti 284  
Phone: (+373) 22 857 126  
www.convel.md

**Mongolia**  
Soyolj Gardening Shop  
Namii Rd  
Ulaanbaatar  
14230 Mongolia  
Phone: +976 7777 5080  
soyolj@maginet.mn

**Morocco**  
Proekip  
64 Rue de la Participation  
Casablanca-Roches Noires  
20303 Morocco  
Phone: (+212) 661342107  
hicham.hafani@proekip.ma

**Netherlands**  
Husqvarna Nederland B.V.  
GARDENA Division  
Postbus 50131  
1305 AC ALMERE  
Phone: (+31) 36 521 00 10  
info@gardena.nl

**Neth. Antilles**  
Jonka Enterprises N.V.  
Sta. Rosa Weg 196  
P.O. Box 8200  
Curaçao  
Phone: (+599) 9 767 66 55  
info@jonka.com

**New Zealand**  
Husqvarna New Zealand Ltd.  
PO Box 76-437  
Manukau City 2241  
Phone: (+64) (0) 9 9202410  
support.nz@husqvarna.co.nz

**North Macedonia**  
Sinpeks d.o.o.  
Ul. Kravarski Pat Bb  
7000 Bitola  
Phone: (+389) 47 20 85 00  
sinpeks@mt.net.mk

**Norway**  
Husqvarna Norge AS  
Gardena Division  
Trøskerveien 36  
1708 Sarpsborg  
info@gardena.no

**Northern Cyprus**  
Mediterranean Home & Garden  
No 150 Alsancak, Karaoglanoglu Caddesi  
Girne  
Phone: (+90) 392 821 33 80  
info@medgardener.com

**Oman**  
General Development Services  
PO 1475, PC - 111  
Seeb  
111 Oman  
Phone: 96824582816  
gdsoman@gdsoman.com

**Paraguay**  
Agrofield SRL  
AV. CHOFERES DEL CHAÇO  
1449 C/ 25 DE MAYO  
Asuncion  
Phone: (+595) 21 608 656  
consultas@agrofield.com.py

**Peru**  
Sierras y Herramientas Forestal SAC  
Av. Las Gaviotas 833, Chorrillos  
Lima  
Phone: (+51) 1 2520252  
supervisorventas1@siersac.com  
www.siersac.com

**Philippines**  
Royal Dragon Traders Inc  
10 Linaw Street, Barangay Saint Peter  
Quezon City  
1114 Philippines  
Phone: (+63) 2 7426893  
aida.fernandez@rdti.com.ph

**Poland**  
Gardena Service Center Vrbno  
c/o Husqvarna Manufacturing CZ s.r.o.  
Jesenická 146  
79326 Vrbno pod Pradedem  
Czech Republic  
Phone: (22) 336 78 90  
servis@gardena.pl

**Portugal**  
Husqvarna Portugal, SA  
Lagoa - Albaraaque  
2635 - 595 Rio de Mouro  
Phone: (+351) 21 922 85 30  
Fax: (+351) 21 922 85 36  
info@gardena.pt

**Romania**  
Madex International Srl  
Soseaua Odaii 117 - 123,  
RO 013003 Bucuresti, S1  
Phone: (+40) 21 352 7603  
madex@ines.ro

**Russia / Россия**  
ООО „Хускварна“  
141400, Московская обл.,  
г. Химки,  
улица Ленинградская,  
владение 39, стр.6  
Бизнес Центр  
„Химки Бизнес Парк“,  
помещение OB02\_04  
http://www.gardena.ru

**Saudi Arabia**  
SACO  
Takhassusi Main Road P.O. Box: 86387  
Riyadh 12863  
40011 Saudi Arabia  
Phone: (966) 11 482 8877  
webmaster@saco-ksa.com

**Serbia**  
Domel d.o.o.  
Slobodana Đurića 21  
11000 Belgrade  
Phone: (+381) 11 409 57 12  
office@domel.rs

**Singapore**  
Hy-Ray PRIVATE LIMITED  
40 Jalan Pemimpin  
#02-08 Tat Ann Building  
Singapore 571185  
Phone: (+65) 6253 2277  
info@hyray.com.sg

**Slovak Republic**  
Gardena  
Service Center Vrbno  
c/o Husqvarna  
Manufacturing CZ s.r.o.  
Jesenická 146  
79326 Vrbno pod Pradedem  
Phone: 0800 154044  
servis@gardena.sk

**Slovenia**  
Husqvarna Austria GmbH  
Industrieleize 36  
4010 Linz  
Phone: (+43) 732 77 01 01-485  
service.gardena@husqvarnagroup.com

**South Africa**  
Husqvarna South Africa (Pty) Ltd  
Lifestyle Business Park – Ground Floor A  
Cnr Beyers Naude Drive and Ysterhout Road  
Randpark Ridge, Randburg  
Phone: (+27) 10 015 5750  
service@gardena.co.za

**Spain**  
Husqvarna España S.A.  
Calle de Pivas nº 10  
28052 Madrid  
Phone: (+34) 91 708 05 00  
atencioncliente@gardena.es

**Sri Lanka**  
Hunter & Company Ltd.  
130 Front Street  
Colombo  
Phone: 94-11 232 81 71  
hunters@eureka.lk

**Suriname**  
Deto Handelmaatschappij N.V.  
Kerrikkampweg 72-74  
P.O. Box: 12782  
Paramaribo  
Suriname  
Phone: (+597) 438050  
info@deto.sr

**Sweden**  
Husqvarna AB /  
GARDENA Sverige  
Drottninggatan 2  
561 82 Huskvarna  
Sverige  
Phone: (+46) (0) 36-14 60 02  
info@gardena.se

**Switzerland / Schweiz**  
Husqvarna Schweiz AG  
Consumer Products  
Industriestrasse 10  
5506 Mägenwil  
Phone: (+41) (0) 62 887 37 90  
info@gardena.ch

**Taiwan**  
Hong Ying Trading Co.,Ltd.  
No. 46 Wu-Kun-Wu Road  
New Taipei City  
Phone: (+886) (02) 2298 1486  
salesg1@7friends.com.tw

**Tajikistan**  
ARIERS JV LLC  
39, Ayni Street, 734024  
Dushanbe, Tajikistan

**Thailand**  
Spica Co. Ltd  
243/2 Onnuch Rd., Prawat  
Bangkok  
10250 Thailand  
Phone: (+66) (0)2721 7373  
surapong@spica-siam.com

**Tunisia**  
Sociétés du matériel agricole et maritime  
Nouveau port de pêche de Sfax Bp 33  
Sfax 3065, Tunisia  
www.smamtunisia.com  
Soulaymen Majdoub  
Soulaymen@smamtunisia.com

**Turkey**  
Dost Bahçe  
Yunus Mah. Adil Sk. No:3  
Kartal  
Istanbul  
34873 Turkey  
Phone: (+90) 216 389 39 39  
info@dostbahce.com.tr  
www.dostbahce.com.tr

**Turkmenistan**  
I.E. Orazmuhammedov Nurmuhammet  
80 Ataturk, BEFKARAR Shopping Center,  
Ground floor, A776,  
Ashgabat 744000  
TURKMENISTAN  
Phone: (+993) 12 468859  
Mob: (+993) 62 222887  
info@jayhyzmat.com /  
bekiyev@jayhyzmat.com  
www.jayhyzmat.com

**UAE**  
Al-Futtaim ACE Company  
L.L.C Building, Al Rebat Street  
Festival City, Dubai  
7800 UAE  
Phone: (+971) 4 206 6700  
ace@alfuttaim.ae

**Ukraine / Україна**  
AT «Альцест»  
вул. Петропавлівська 4  
08130, Київська обл. Києво-Святошинський  
р-н, с. Петропавлівська Борщагіка  
Україна  
Тел.: (+38) 0 800 503 000

**Uruguay**  
FELI SA  
Entre Rios 1083  
11800 Montevideo  
Phone: (+598) 2203 1844  
info@felisa.com.uy

**Uzbekistan**  
AGROHOUSE MChJ  
O'zbekiston, 111112  
Toshkent viloyati  
Toshkent tumani  
Hasanboy OFAY, THAY yqasida  
Phone: (+998)-93-5414141  
(+998)-71-2096868  
info@agro.house  
www.agro.house

**Vietnam**  
Vision Joint Stock Company  
No. 03, Lot E2/D21, Ton That Thuyet Street,  
Dich Vuong Hau Commune  
Cau Giay District, Hanoi  
Phone: (+8424)-38462833/34  
quynhnm@visionjsc.com.vn

**Zimbabwe**  
Cutting Edge  
159 Citroen Rd, Msasa  
Harare  
Phone: (+263) 8677 008685  
sales@cuttingedge.co.zw