



H Husqvarna®



1-8DPS30, 1-8DPS55

EN	Operator's manual
DE	Bedienungsanweisung
FR	Manuel d'utilisation
NL	Gebruiksaanwijzing

2-30
31-61
62-92
93-122

Contents

Introduction.....	2	Troubleshooting.....	23
Safety.....	4	Transportation, storage and disposal.....	24
Operation.....	9	Technical data	27
Maintenance.....	19	Declaration of Conformity.....	30

Introduction

Product description

The product is a pedestrian-controlled shotblaster operated by electric motors. The product has a blastwheel that throws metal abrasive onto the surface. The product must be connected to a correct dust extractor during operation.

on dry, frost-free horizontal surfaces. For example concrete, asphalt, stone and steel.

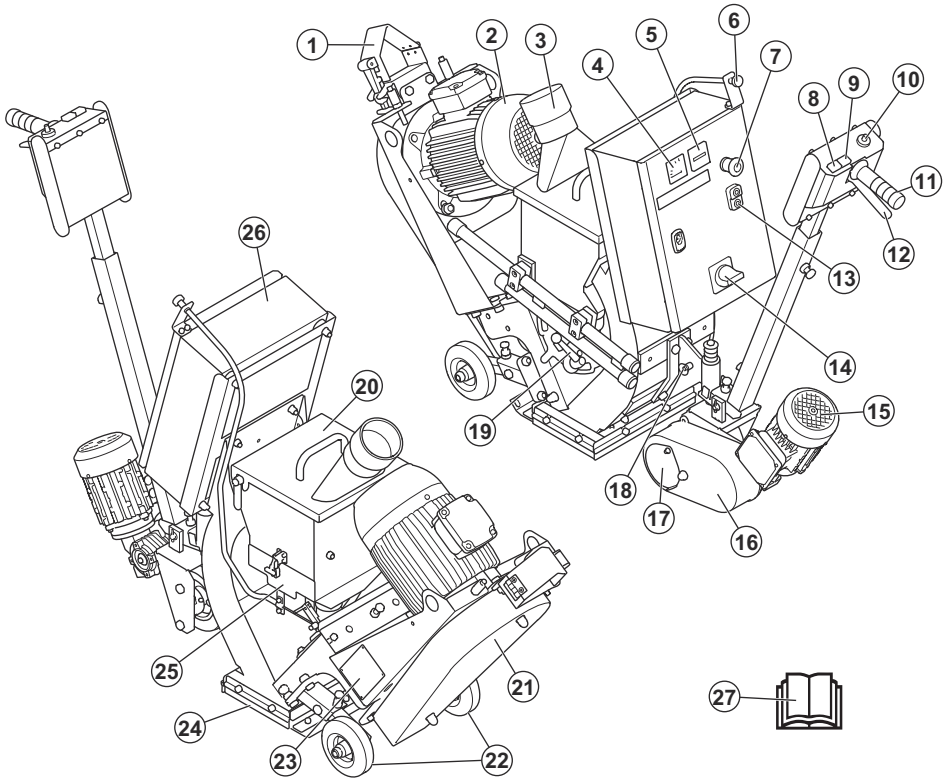
The product is used in commercial operations by professional operators.

Do not use the product for other tasks.

Intended use

The product is used to remove thin layers of paint, sealants and contaminations. The product can be used

Product overview



- | | |
|---|--------------------------|
| 1. Clamp for dust hose and electrical cable | 20. Separator cover |
| 2. Blastmotor | 21. V-belt cover |
| 3. Dust extractor connection | 22. Wheels |
| 4. Ammeter for blastmotor | 23. Type plate |
| 5. Hour meter | 24. Blasthead with seals |
| 6. Abrasive control cable | 25. Separator tray |
| 7. Emergency stop button | 26. Electrical enclosure |
| 8. Overdrive button | 27. Operator's manual |
| 9. Move forward button | |
| 10. Speed control dial | |
| 11. Steering handle | |
| 12. Drive system lever | |
| 13. ON/OFF button of the blastmotor | |
| 14. ON/OFF switch | |
| 15. Drive system motor | |
| 16. Drive system cover | |
| 17. Chain guard | |
| 18. Quick-release pin | |
| 19. Adjustment lever for the control cage | |

Symbols on the product



Warning: This product can be dangerous and cause serious injury or death to the operator or others. Be careful and use the product correctly.



High voltage.



Keep all parts of your body away from hot surfaces.



Lifting point.



Keep hands away from rotating parts.



Read the manual carefully and make sure that you understand the instructions before you use the product.



Use an approved respiratory protection.



Use approved hearing protection.



Use approved eye protection.



Use approved protective gloves.



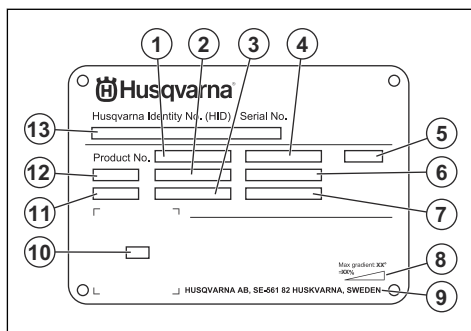
Use approved protective boots.



This product is in compliance with applicable EU directives.

Note: Other symbols/decals on the product refer to special certification requirements for some markets.

Type plate



1. Product number
2. Product weight
3. Rated power
4. Rated voltage
5. Enclosure
6. Rated current
7. Frequency
8. Maximum slope angle
9. Manufacturer
10. Scannable code
11. Production year
12. Model
13. Serial number

Product liability

As referred to in the product liability laws, we are not liable for damages that our product causes if:

- the product is incorrectly repaired.
- the product is repaired with parts that are not from the manufacturer or not approved by the manufacturer.
- the product has an accessory that is not from the manufacturer or not approved by the manufacturer.
- the product is not repaired at an approved service center or by an approved authority.

Safety

Safety definitions

Warnings, cautions and notes are used to point out specially important parts of the manual.



WARNING: Used if there is a risk of injury or death for the operator or bystanders if the instructions in the manual are not obeyed.



CAUTION: Used if there is a risk of damage to the product, other materials or the adjacent area if the instructions in the manual are not obeyed.

Note: Used to give more information that is necessary in a given situation.

General safety instructions



WARNING: Read the warning instructions that follow before you use the product.

- This product is a dangerous tool if you are not careful or if you use the product incorrectly. This product can cause serious injury or death to the operator or others. Before you use the product, you must read and understand the contents of this operator's manual.
- This product is not intended for use by persons (including children) with reduced physical, sensory or mental capabilities, or lack of experience and knowledge.
- Save all warnings and instructions.
- Comply with all applicable laws and regulations.
- The operator and the employer of the operator must know and prevent the risks during operation of the product.
- Do not let a person operate the product unless they read and understand the contents of the operator's manual.
- Do not operate the product unless you receive training before use. Make sure that all operators receive training.
- Do not let a child operate the product.
- Only let approved persons operate the product.
- The operator is responsible for accidents that occur to other persons or their property.
- Do not use the product if you are tired, ill, or under the influence of alcohol, drugs or medicine.
- Always be careful and use your common sense.
- Keep the product clean. Make sure that you can clearly read signs and decals.
- Do not use the product if it is damaged or does not operate correctly.
- Do not do modifications to this product.
- Do not operate the product if it is possible that other persons have done modifications to the product.
- Use personal protective equipment. Refer to *Personal protective equipment on page 6*.
- Overexposure to vibration can cause circulatory damage or nerve damage to persons with decreased blood circulation. Get medical aid if you have symptoms of overexposure to vibration. These symptoms include numbness, loss of feeling, tingling, pricking, pain, loss of strength, changes in skin color or condition. These symptoms usually show in the fingers, hands or wrists.
- Do not operate the product without all protective covers installed.
- Make sure that you know how to stop the motor quickly in an emergency.
- Before you go away from the product, stop the motor and disconnect the power cord. Make sure that there is no risk of accidental start.
- Make sure that clothing, long hair and jewelry do not get caught in moving parts
- Make sure that you are in a safe and stable position during operation.
- Make sure that there are no loose bolts and nuts.
- Do not lift or tilt the blasthead during operation. Abrasive comes out of the product at high speed and can cause injury. Always disconnect the power plug before you lift or tilt the product.
- Make sure that the separator and separator tray are closed during operation.
- Do not operate the product unless you can get aid if an accident occurs.
- Always use approved accessories. Speak to your Husqvarna dealer for more information.
- If vibrations occur in the product or the noise level from the product is unusually high, stop the product immediately. Disconnect the power plug. Examine the product for damages. Repair damages or let an approved service agent do the repair.
- Always connect the product to a dust extractor for removal of the dust.
- Do not pull the hose of the dust extractor. The product can fall and cause injury or damage.
- Keep the dust extractor on until the motor stops fully.
- Only operate the product from behind with your hand on the handlebar.
- Make sure that there is no grease or oil on the handles.
- Make sure that the the brush list seals are not damaged.
- Make sure that the the brush list seals are installed in the correct height.
- Always use approved abrasive. Speak to your Husqvarna dealer for more information. Refer to *Approved abrasive on page 27*.
- Make sure that the blastmotor has correct direction of rotation. The correct direction of rotation is given with an arrow on the motor housing.

Safety instructions for operation



WARNING: Read the warning instructions that follow before you use the product.

Vibration safety



WARNING: Read the warning instructions that follow before you use the product.

- During operation of the product, vibrations go from the product to the operator. Regular and frequent operation of the product can cause or increase the degree of injuries to the operator. Injuries can occur in fingers, hands, wrists, arms, shoulders, and/or nerves and blood supply or other body parts. The injuries can be debilitating and/or permanent, and can increase gradually during weeks, months or years. Possible injuries include damage to the blood circulation system, the nervous system, joints, and other body structures.
- Symptoms can occur during operation of the product or at other times. If you have symptoms and continue to operate the product, the symptoms can increase or become permanent. If these or other symptoms occur, get medical aid:
 - Numbness, loss of feeling, tingling, pricking, pain, burning, throbbing, stiffness, clumsiness, loss of strength, changes in skin color or condition.
- Symptoms can increase in cold temperatures. Use warm clothing and keep your hands warm and dry when you operate the product in cold environments.
- Do maintenance on and operate the product as given in the operator's manual, to keep a correct vibration level.
- The product has a vibration damping system that decreases the vibrations from the handles to the operator. Let the product do the work.
- Keep your hands on the handle or handles only. Keep all other body parts away from the product.
- Stop the product immediately if strong vibrations suddenly occurs. Do not continue the operation before the cause of the increased vibrations is removed.

Dust safety



WARNING: Read the warning instructions that follow before you use the product.

- Operation of the product can cause dust in the air. Dust can cause serious injury and permanent health problems. Silica dust is regulated as harmful by several authorities. These are examples of such health problems:
 - The fatal lung diseases chronic bronchitis, silicosis and pulmonary fibrosis
 - Cancer
 - Birth defects
 - Skin inflammation

- Use correct equipment to decrease the quantity of dust and fumes in the air and to decrease dust on work equipment, surfaces, clothing and body parts. Example of controls are dust collection systems. Decrease dust at the source where possible. Make sure that the equipment is correctly installed and used and that regular maintenance is done.
- Use approved respiratory protection. Make sure that the respiratory protection is applicable for the dangerous materials in the work area.
- Make sure that the airflow is sufficient in the work area.

Noise safety



WARNING: Read the warning instructions that follow before you use the product.

- High noise levels and long-term exposure to noise can cause noise-induced hearing loss.
- To keep the noise level to a minimum, do maintenance on and operate the product as given in the operator's manual.
- Use approved hearing protection while you operate the product.
- Listen for warning signals and voices when you use hearing protection. Remove the hearing protection when the product is stopped, unless hearing protection is necessary for the noise level in the work area.

Personal protective equipment



WARNING: Read the warning instructions that follow before you use the product.

- Always use approved personal protective equipment when you operate the product. Personal protective equipment cannot fully prevent injury but it decreases the degree of injury if an accident does occur. Let your dealer help you select the correct personal protective equipment and when to use them.
- Regularly do a check of the condition of the personal protective equipment.
- Use approved hearing protection.
- Use approved respiratory protection.
- Use approved eye protection with side protection.
- Use protective gloves.
- Use boots with steel toe-cap and non-slip sole.
- Use approved work clothing or equivalent close-fitting clothing that has long sleeves and long legs.

Fire extinguisher

- Keep a fire extinguisher near during operation.

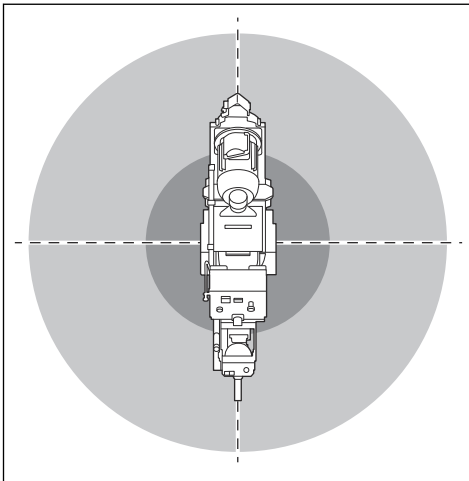
- Use a powder fire extinguisher or a carbon dioxide fire extinguisher.

Work area safety



WARNING: Read the warning instructions that follow before you use the product.

- It is the responsibility of the user to analyse the surface to be treated. The user should make a risk assessment on the basis of the information obtained about the surface to be treated and take proper precautions for the work to be performed.
- Do not use the product in fog, rain, strong winds, cold weather, risk of lightning or other bad weather conditions.
- Look out for persons, objects and situations that can prevent safe operation of the product.
- Do not use the product in areas where fire or explosions can occur. The product creates sparks and flammable material can create ignition with the dust or fumes.
- Keep children, bystanders and animals away from the work area and at a safe distance from the product. Safe distance is 5 m.



- Make sure that bystanders and animals are not in the work area and at a safe distance from the product.
- Make sure that only approved persons are in the work area.
- Keep the work area clean and fully illuminated. Cluttered or dark areas invite accidents.
- Remove objects such as screws, bolts, wires and stones from the work area before you use the product.
- Make sure that there are no cables or hoses in the operation direction of the product.

- Make sure that uneven surfaces, such as welded seams or floor joints, do not stop the product.
- Make sure that there is sufficient airflow in the work area.

Electrical safety



WARNING: There is always a risk of shocks from electrical products. Do not use the product in bad weather conditions. Do not touch lightning conductors and metal objects. Always use the product as given in this operator's manual to prevent injury.



WARNING: Always use a power supply with RCD (residual-current device). An RCD decreases the risk of electrical shock.



WARNING: High voltage. There are unprotected parts in the power unit. Always disconnect the power plug before you open the door to the electrical box.



CAUTION: The power supply from the product or generator must be sufficient and constant to make sure that the motor operates without problems. Incorrect voltage causes the power consumption and the temperature of the motor to increase until the safety circuit releases. The dimension of the power cord must agree with national and local regulations. The dimension of the mains socket must agree with the amperage for the electrical socket and extension cable of the product.

If the power mains has higher system resistance, short voltage drop can occur when the product is started. This can influence the operation of other products, for example flicker on the lights.

- The power plug must match the outlet. Never modify the plug in any way. Do not use any adapter plugs with earthed (grounded) power tools. Unmodified plugs and matching outlets will reduce risk of electric shock.
- Avoid body contact with earthed or grounded surfaces, such as pipes, radiators, ranges and refrigerators. There is an increased risk of electric shock if your body is earthed or grounded.
- Make sure that the power, fuse and mains voltage are the same as the voltage shown on the rating plate of the product.
- Always stop the product before you disconnect the power plug.
- Make sure that the ON/OFF switch is in OFF position before the product is connected to the power supply.

- Always disconnect the power plug during a long product stop.
- Do not use the product if the supply cord or power plug is damaged. If the supply cord is damaged, it must be replaced by the manufacturer, its service agent or similarly qualified persons in order to avoid a hazard. A damaged power cord can cause serious injury and death.
- Use the power cord correctly. Do not use the power cord to move, pull or disconnect the product. Pull the power plug to disconnect the power cord. Do not pull the power cord.
- Only operate the product on dry surfaces.
- Keep the product away from rain. Water that goes into the product increases the risk of electrical shock.
- Always disconnect the power cord before you connect or disconnect the connection for the motor cable and the electrical enclosure.
- In order to avoid a hazard due to inadvertent resetting of the thermal cut-out, this appliance must not be supplied through an external switching device, such as a timer, or connected to a circuit that is regularly switched on and off by the utility.
- Make sure that the power supply for the product is supplied by separate transformers that are used for industrial purpose only.

Grounded product instructions



WARNING: Incorrect connection can result in electrical shock. Speak to an approved electrician if you are not sure if your mains outlet is correctly grounded.

Do not do modifications to the power plug from its factory specification. If the power plug or power cord is damaged or must be replaced, speak to your Husqvarna service agent. Obey local regulations and laws.

If you do not fully understand the instructions about the grounded product, speak to an approved electrician.

Use only grounded outdoor extension cables with grounding plugs and grounding outlet that accepts the product power plug.

The product has a grounded power cord and power plug. Always connect the product to a grounded mains outlet. This decreases the risk of electrical shock.

Do not use electrical adapters with the product.

Extension cables

- Use only approved extension cables with applicable properties.
- The rated value on the extension cable must be the same or higher than given on the rating plate of the product.
- Use grounded extension cables.

- When you operate the product outdoors, use an extension cable that is applicable for outdoor operation. This decreases the risk of electrical shock.
- Keep the connection to the extension cable dry and off the ground.
- Keep the extension cable away from heat, oil, sharp edges or moving parts. A damaged cable increases the risk of electrical shock.
- Make sure that the extension cable is in good condition and not damaged.
- Do not use the extension cable while it is wound up. This can cause the extension cable to become too hot.
- Make sure that the extension cable is out of the way and the product during operation. This prevents damage to the extension cable.

Safety devices on the product



WARNING: Read the warning instructions that follow before you use the product.

- Do not use the product if the safety devices are not in proper working order.
- Do a check of the safety devices daily. If your safety devices are not in proper working order or are damaged, speak to your Husqvarna service agent.
- Do not make modifications on safety devices

Emergency stop button

The emergency stop button is used to quickly stop the motor.

To do a check of the emergency stop button

Refer to *Product overview on page 3* for information about where the emergency stop button is on your product.

1. Turn the emergency stop button clockwise to make sure that the emergency stop button is disengaged.
2. Start the product. Refer to *To start the product on page 15*.
3. Push the emergency stop button.
4. Make sure that the motor stops.
5. Turn the emergency stop button clockwise to disengage.

Ammeter

The ammeter shows the blast load onto the surface. The maximum amperage is shown above the ammeter.

To do a check of the ammeter

Refer to *Product overview on page 3* for information about where the ammeter is on your product.

1. Start the product. Refer to *To start the product on page 15*.
2. Wait until the ammeter is in idle position.
3. Stop the product. Refer to *To stop the product on page 18*.

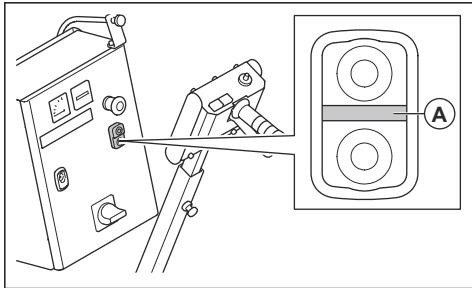
ON/OFF buttons of the blastmotor

The ON/OFF buttons of the blastmotor are used to start and stop the blastmotor. Refer to *To do a check of the ON/OFF buttons of the blastmotor on page 9*.

To do a check of the ON/OFF buttons of the blastmotor

Refer to *Product overview on page 3* for information about where the ON/OFF buttons are on your product.

1. Turn the emergency stop button clockwise to make sure that the emergency stop button is disengaged.
2. Start the product. Refer to *To start the product on page 15*.
3. Push the ON button of the blastmotor.
4. Make sure that the motor starts and the light (A) comes on.



5. Stop the motor. Refer to *To stop the product on page 18*.
6. Make sure that the motor stops when you push the OFF button.

ON/OFF switch

The ON/OFF switch is used to start and stop the power supply to the product.

To do a check of the ON/OFF switch

Refer to *Product overview on page 3* for information about where the ON/OFF switch is on your product.

1. Turn the emergency stop button clockwise to make sure that the emergency stop button is disengaged.
2. Turn the ON/OFF switch to ON position.
3. Make sure that the power supply starts.
4. Turn the ON/OFF switch to OFF position.
5. Make sure that the power supply stops.

Safety instructions for maintenance



WARNING: Read the warning instructions that follow before you use the product.

- Only do the maintenance as given in this operator's manual. Let an approved service agent do all other servicing.
- If the maintenance is not done correctly and regularly, the risk of injury and damage to the product increases.
- Clean the product to remove dangerous material before you do the maintenance.
- Do the maintenance of the product on stable level ground. Make sure that the product cannot move.
- Do not make modifications to the product. Modifications that are not approved by the manufacturer can cause serious injury or death.
- Replace damaged, worn or broken parts.
- Do not use a pressure washer to clean the product.
- Only use lint-free cleaning cloths.
- Always use original accessories and spare parts. Accessories and spare parts that are not approved by the manufacturer, can cause serious injury or death.
- After maintenance, do a check of the vibration level in the product. If it is not correct, speak to an approved service agent.
- Let an approved service agent do servicing on the product regularly.

Operation

Introduction



WARNING: Before you operate the product, you must read and understand the safety chapter.

To do before you operate the product

1. Read the operator's manual carefully and make sure that you understand the instructions.
2. Read the operator's manual for the dust extractor carefully and make sure that you understand the instructions.
3. If the product is operated in connection with a power source, make sure that you read and understand the operator's manual of that power source.
4. Use personal protective equipment. Refer to *Personal protective equipment on page 6*.
5. Make sure that only approved persons are in the work area.

6. Do daily maintenance. Refer to *Maintenance schedule on page 19*.
7. Make sure that the product is assembled correctly and is not damaged.
8. Make sure that all bolts, screws and nuts are tightened.
9. Make sure that the blastwheel, feed spout, liners and sealing are not damaged or worn out. Replace the parts when 75% of the blade thickness has been worn away.
10. Make sure that the separator is not damaged.
11. Make sure that the separator is filled with abrasive up to the separator tray.
12. Put the product on the work area. Make sure that the surface is level. Make sure that the transportation of the product to and in the work area is done safely and correctly. Refer to *Transportation, storage and disposal on page 24*.
13. Connect a dust extractor to the product. Refer to *To connect a dust extractor on page 14*.
14. Make sure that the ON/OFF switch is in OFF position before you connect the product to a power supply.
15. Connect the product to a power source. Refer to *To connect the product to a power source on page 14*.
16. Make sure that the brush list seals are in the correct height. Refer to *To adjust the height of the brush list seals on page 13*.
17. Make sure that the magnetic seals are in the correct height. Refer to *To adjust the height of the magnetic seals on page 13*.

Drive system

The drive system is used during operation and allows the product to be moved around with the traction wheel. Refer to *To move the product with the drive system on page 25*.

Always engage the drive system during operation.

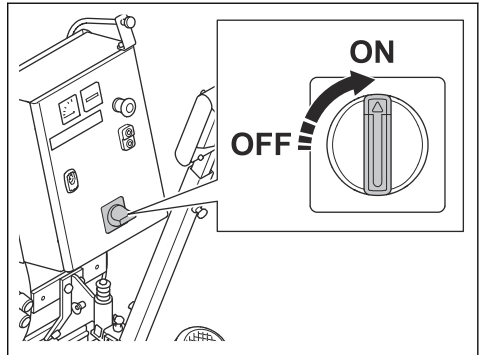
To engage the drive system



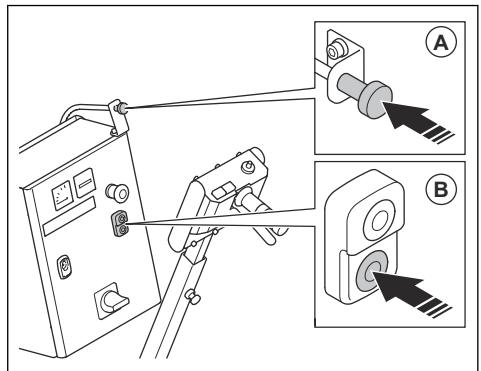
WARNING: Keep your hands away from rotating parts. Be very careful when you attach the quick-release pin.

Install the quick-release pin to engage the drive system. The quick-release pin is found above the traction wheel. Refer to *Product overview on page 3*.

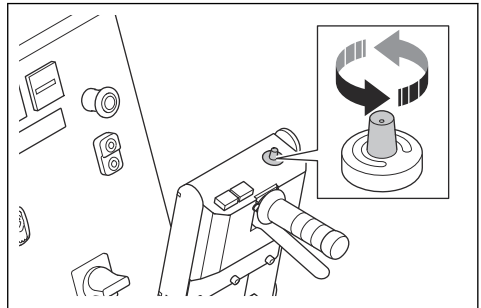
1. Turn the ON/OFF switch to the ON position.



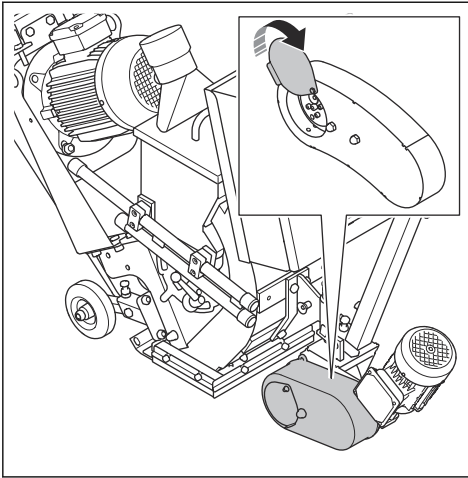
2. Push the abrasive control cable (A) to close the abrasive valve. Push the OFF button (B) to stop the blastmotor.



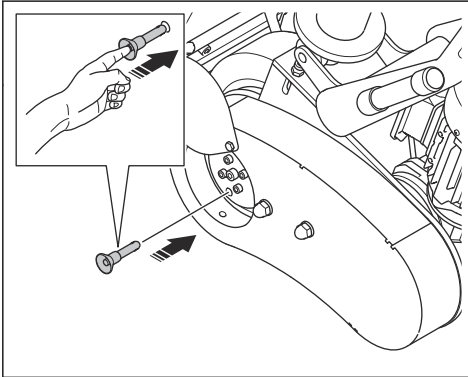
3. Set the movement speed to the lowest possible, approximately 0.5.



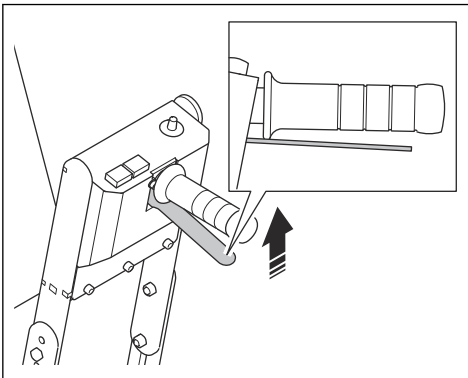
4. Open the drive chain cover.



5. Install the quick-release pin. Push and hold the quick-release pin with a finger.

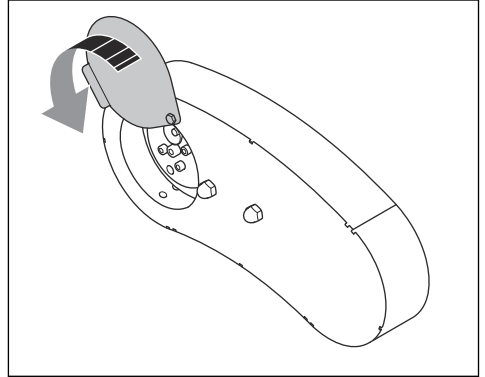


6. Use your other hand to operate the drive system lever.



The quick-release pin locks into position when the drive system is engaged.

7. Close the drive chain cover.



8. To disengage the drive system, refer to *To disengage the drive system on page 11.*

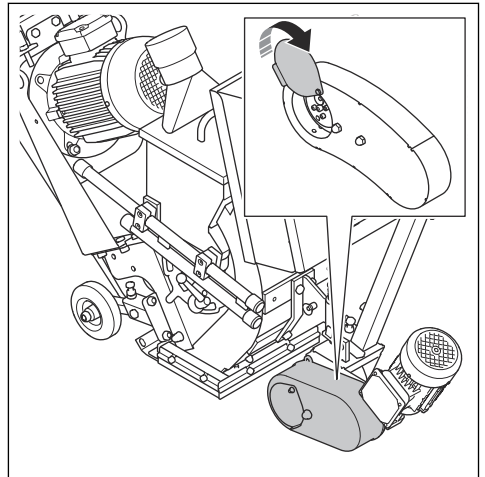
To disengage the drive system



CAUTION: Only disengage the drive system when the product is parked on level surface.

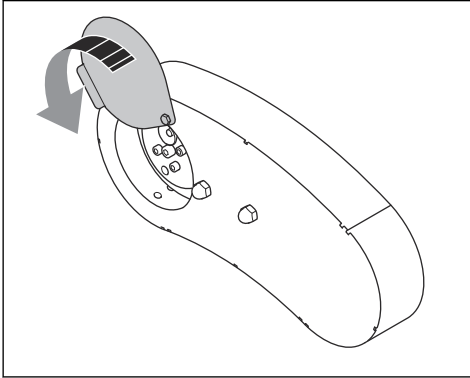
If it is necessary to move the product manually with the motor off, the drive system must be disengaged. Remove the quick-release pin to disengage the drive system.

1. Park the product on level surface and stop the product.
2. Disconnect the power supply.
3. Open the drive chain cover.

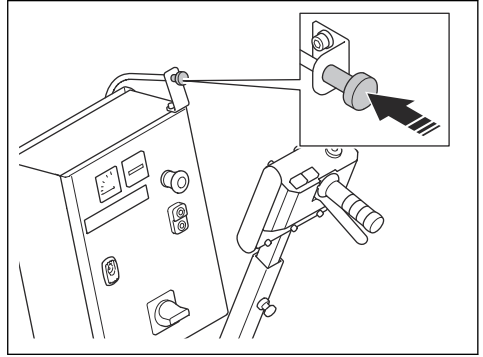


4. Pull out the quick-release pin.

- Put the quick-release pin in the storage position.
- Close the drive chain cover.



- Push the abrasive control cable to close the abrasive valve and adjust the flow of the abrasive shots.



Abrasive valve

The magnetic abrasive valve controls the flow of the abrasive shot to the blastwheel. The adjustment of the abrasive valve is shown on the ammeter. Refer to *Ammeter on page 8*.

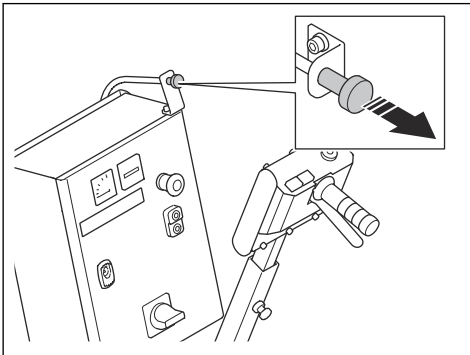
The abrasive valve is adjusted with the abrasive control cable. Refer to *To operate the abrasive valve on page 12*.

To operate the abrasive valve



CAUTION: Only open the abrasive valve when the blast motor is in operation.

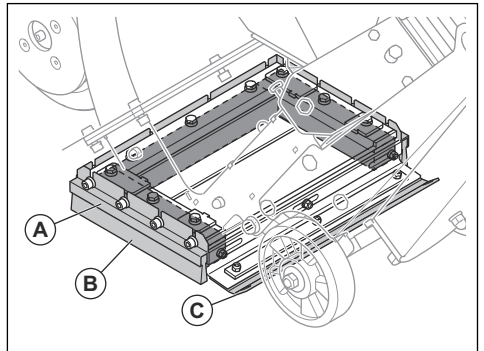
- Pull the abrasive control cable to open the abrasive valve and adjust the flow of abrasive shots.



Abrasive seal

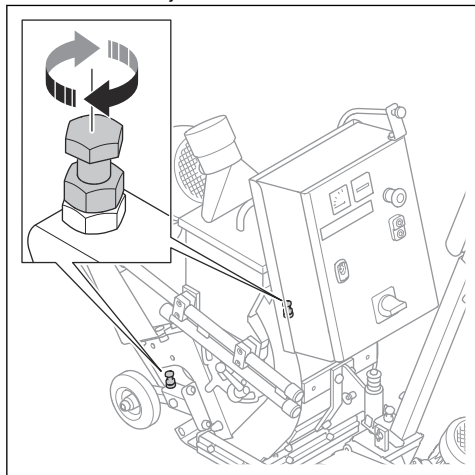
The abrasive seal makes sure that the abrasive stays in the product during operation. The abrasive seal has magnetic seals (A) on the sides and in front of the blast housing. Brush lists (B) are attached around the magnetic seals.

The skid seal (C) moves on the surface.

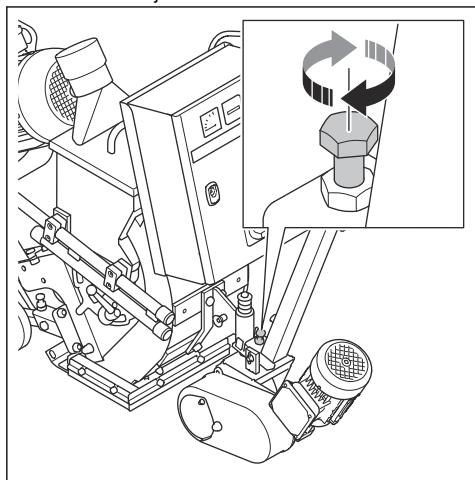


To adjust the height of the magnetic seals

1. Loosen the 2 adjustment screws at the rear wheels.



2. Loosen the adjustment screw at the front wheel.

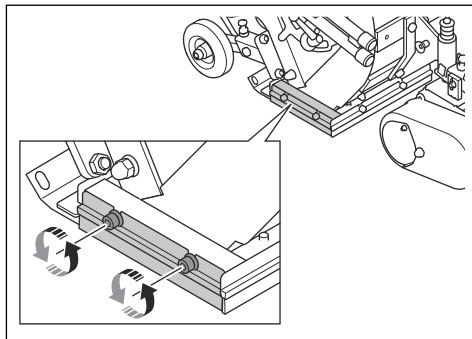


3. Adjust the height until the magnetic seals are 8–10 mm from the surface.
4. Tighten the screws.

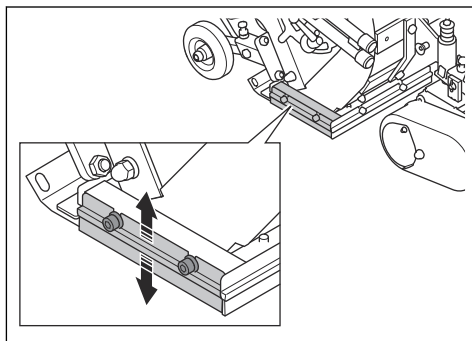
To adjust the height of the brush list seals

The brush list seals wear when you operate the product. It is necessary adjust the height of the brush list seals at regular intervals.

1. Loosen the 2 screws that holds the brush list.



2. Adjust the height of the brush list until the brush list is 1 mm above the surface.



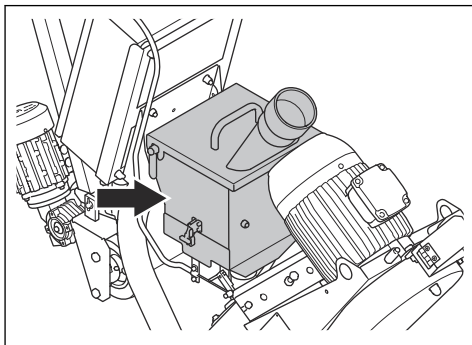
3. Tighten the 2 screws.

Abrasive

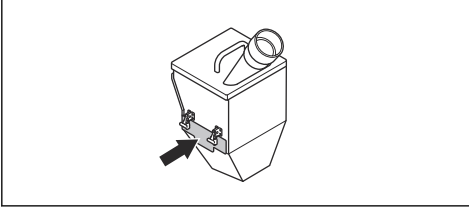
Speak to your Husqvarna dealer for the selection of correct abrasive for your surface operation. Refer to *Approved abrasive* on page 27.

Abrasive separator

The abrasive separator makes the abrasive free from contamination. The abrasive separator holds the abrasive and supplies the blastwheel with abrasive.



The separator tray keeps contamination away from the abrasive and the blastwheel.

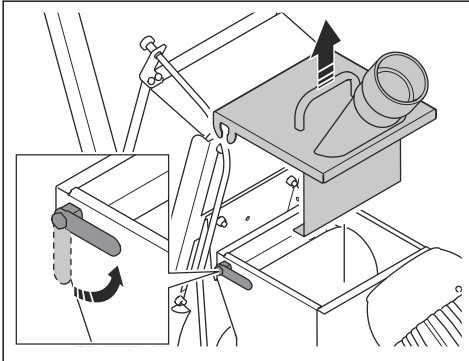


To fill the product with abrasive

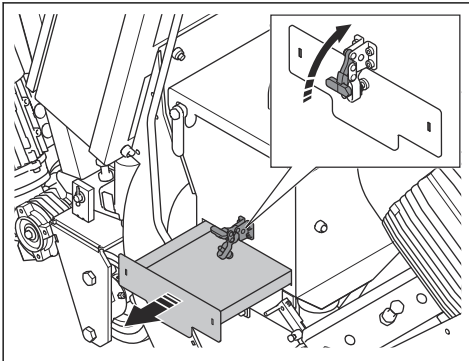


WARNING: Always use personal protective equipment during operation. Refer to *Personal protective equipment on page 6*.

1. Close the abrasive valve. Refer to *To operate the abrasive valve on page 12*.
2. Unlock the cover and lift the handle to open the separator.



3. Open the separator tray and remove all contaminations when you fill abrasive or when it is necessary.



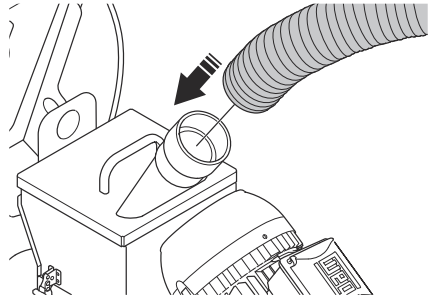
4. Fill the separator with abrasive up to the separator tray. Fill abrasive when it is necessary.

To connect a dust extractor



WARNING: Do not use the dust extractor if the dust extractor hose is damaged. The risk increases that you breathe in dust that is dangerous to your health. Use approved respiratory protection.

1. Examine the dust extractor hose for damages.
2. Make sure that the filters in the dust extractor are clean and not damaged.
3. Attach the dust extractor hose safely to the connection for dust extractor. Connect the attached parts with the supplied tool and industrial tape.



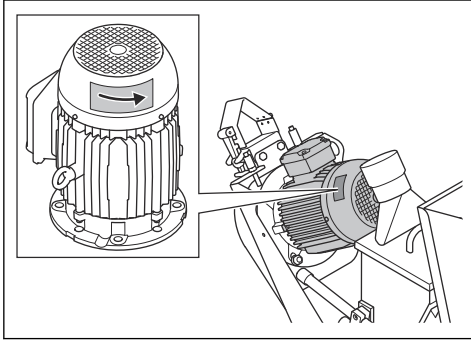
To connect the product to a power source

1. Connect the power plug of the product to a grounded mains outlet or other power source.
2. Make sure that the mains voltage agrees with the type plate on the product.

To do a check of the direction of rotation of the motor

1. Start the product. Refer to *To start the product on page 15*.
2. After some seconds, stop the product. Refer to *To stop the product on page 18*.

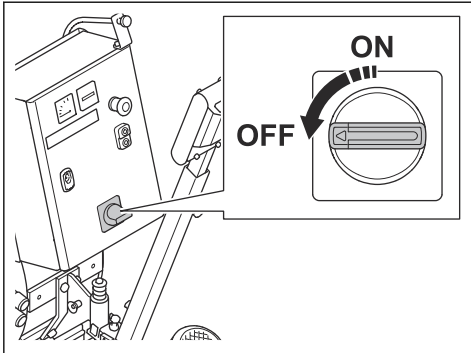
3. Make sure that the blastmotor has the correct direction of rotation. The correct direction is shown with an arrow on top of the fan cover.



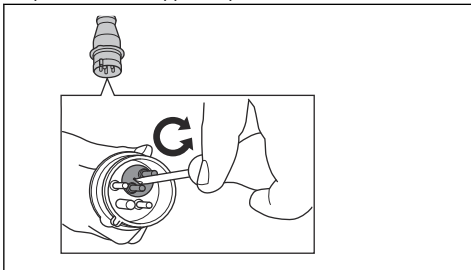
4. If it is necessary, change the direction of rotation of the motor. Refer to *To change the direction of rotation of the motor (3-phase only)* on page 15.

To change the direction of rotation of the motor (3-phase only)

1. Turn the ON/OFF switch to the OFF position.



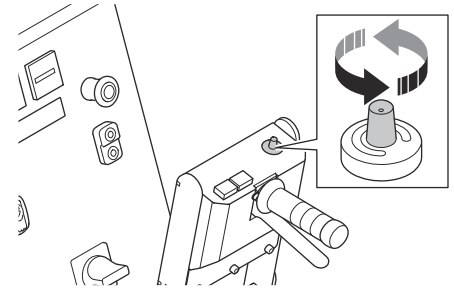
2. Wait until the product has fully stopped.
3. Disconnect the extension cord from the power plug on the product.
4. Turn the inverter switch in the power plug on the product to the opposite position.



5. Connect the power cord and do a check of the direction of rotation of the motor. Refer to *To do a check of the direction of rotation of the motor* on page 14.

To select the correct speed

It is important to do the operation with correct drive speed for best result. If the surface has different quality, adjust the drive speed for an equal result. Examine the result and adjust the speed if it is necessary.

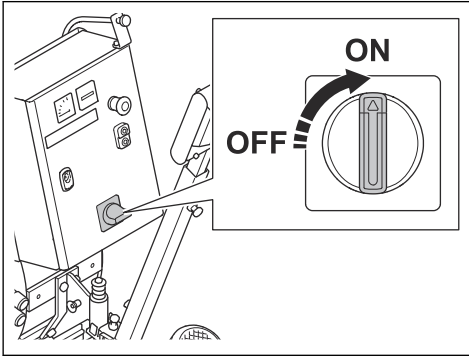


- Turn the speed control dial clockwise to increase the speed.
- Turn the speed control dial counterclockwise to decrease the speed.
 - a) Use drive speed 6–10 on concrete surfaces for light treatment.
 - b) Use drive speed 0–5 on concrete surfaces for heavy treatment.
 - c) Use drive speed 0–2 on steel surfaces.

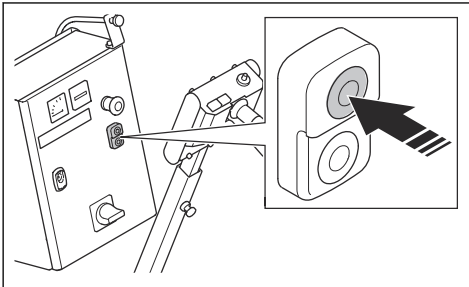
To start the product

1. Connect the product to a power supply. Refer to *To connect the product to a power source* on page 14.
2. Start the dust extractor. Refer to the operator's manual of the dust extractor.
3. Attach the dust extractor hose to the product. Refer to *To connect a dust extractor* on page 14.
4. Turn the emergency stop button clockwise to make sure that the emergency stop button is disengaged.

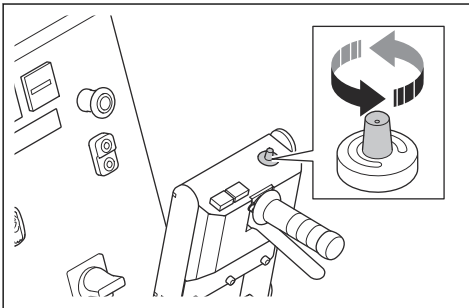
- Set the ON/OFF switch on the electrical enclosure to the ON position.



- Engage the drive system. Refer to *To engage the drive system on page 10*.
- Push the ON button to start the blastmotor.



- Wait until the ammeter is in idle position.
- Make sure that the direction of rotation of the blastmotor is correct. Refer to *To do a check of the direction of rotation of the motor on page 14*.
- Turn the speed control dial to set the drive speed.



To operate the product

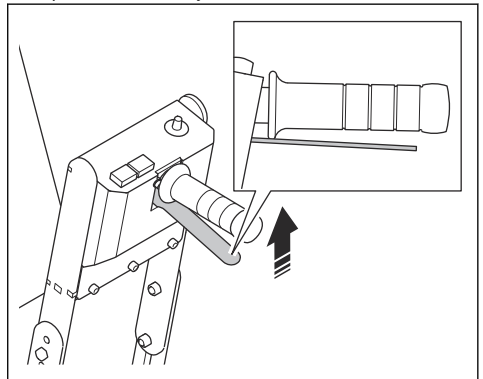


WARNING: This product is for rearward operation only. Do not move the product forward during operation.



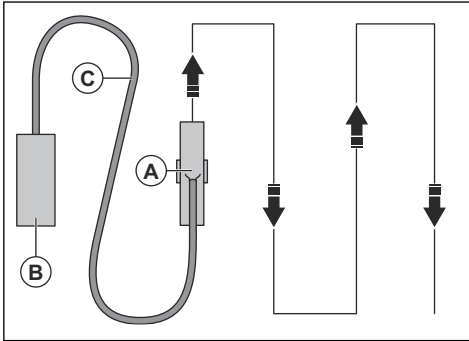
WARNING: Do not lift the blasthousing during operation. Abrasive comes out of the product at high speed and can cause injury.

- Make sure that the work area is safe. Refer to *Work area safety on page 7*.
- Fill the abrasive separator with abrasive. Fill the separator with abrasive when necessary. Refer to *To fill the product with abrasive on page 14*.
- Start the product. Refer to *To start the product on page 15*.
- Engage the drive system. Refer to *To engage the drive system on page 10*.
- Operate the drive system lever.



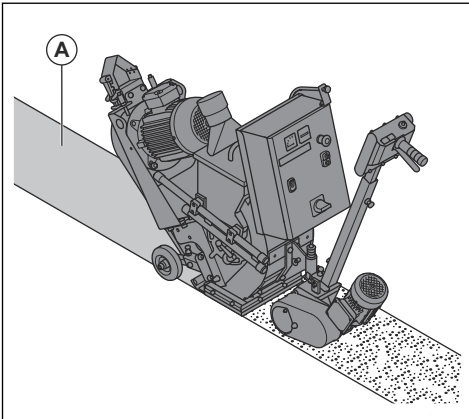
- Pull the abrasive control lever to open the abrasive valve. Refer to *To operate the abrasive valve on page 12*.
- After 2 m, close the abrasive valve and stop the product.
- Do a check of the blast pattern. Adjust the blast pattern if necessary. Refer to *To adjust the blast pattern on page 17*.
- Select the correct speed. Refer to *To select the correct speed on page 15*.

10. Move the product (A) in parallel tracks. The dust extractor (B) must be connected to the product (A) by the dust extractor hose (C).



Blast pattern

The blast pattern (A) is the surface that has received treatment.



For a good result the hotspot must be in the center of the blast pattern. If the hotspot is too far to the left or to the right, turn the control cage. Refer to *To adjust the blast pattern on page 17*.

These are the conditions that have effect on the blast pattern:

- The direction of rotation of the blastwheel is correct.
- Increased wear on the blastwheel, impeller and control cage.
- The dimension of the abrasive. The blast pattern must be adjusted when you change dimension.
- The position of the lateral window in the control cage.
- Different types and hardness of the surface.

To adjust the blast pattern

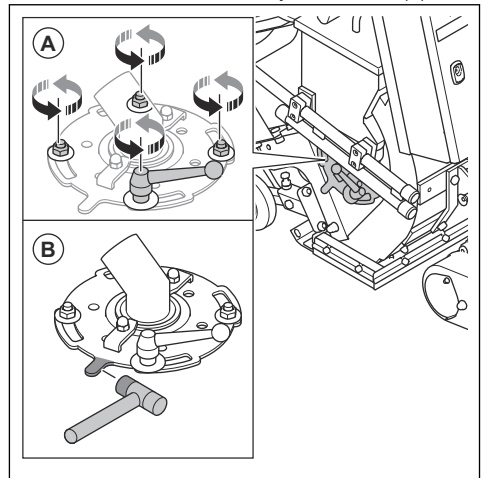


WARNING: Do not adjust, loosen or touch the cage clamps, feed spout and blastwheel when the product is on. Disconnect the power supply when you adjust the blast pattern.

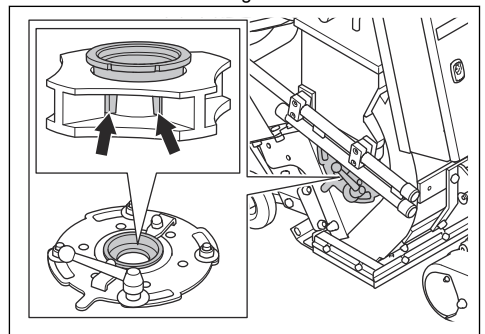


WARNING: Use personal protective equipment when you adjust the blastpattern. Refer to *Personal protective equipment on page 6*.

1. Disconnect the power plug.
2. Loosen the 3 nuts and the adjustment lever (A).

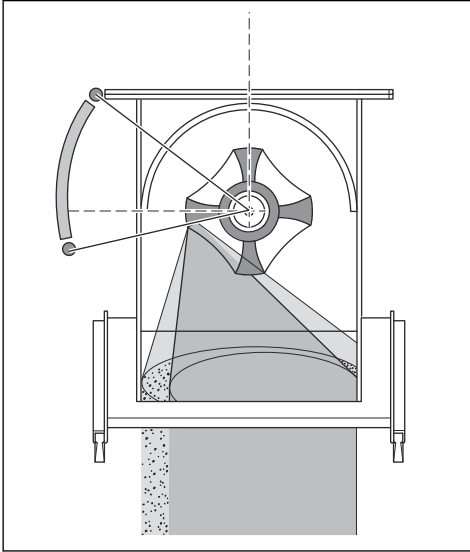


3. Hit the blastwheel cover with a rubber hammer to adjust the blast pattern (B).
4. When you turn the blastwheel cover, you adjust the location of the control cage window.

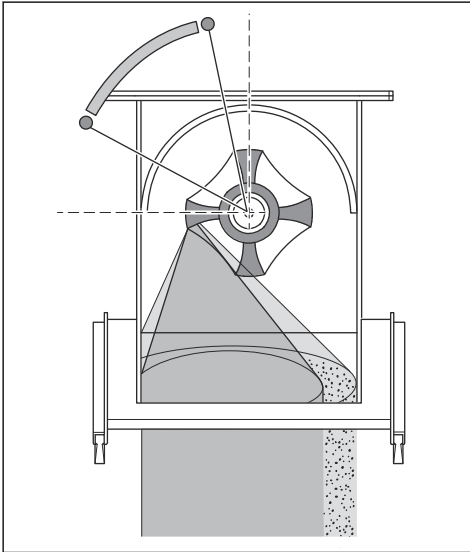


5. Make sure that the feed spout is still in the correct position after you have adjusted the control cage.

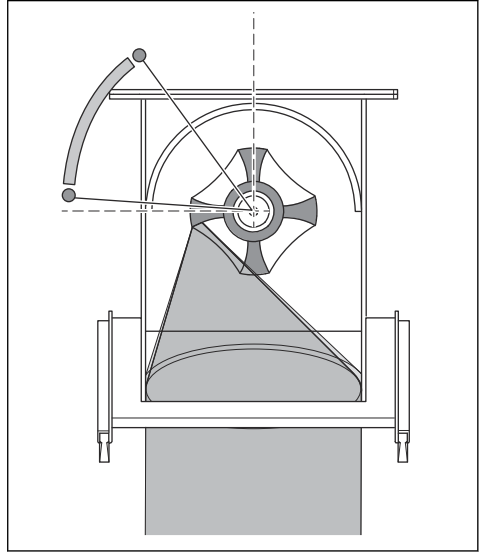
6. Turn the control cage clockwise, if the hotspot is too much on the right side.



7. Turn the control cage counterclockwise, if the hotspot is too much on the left side.



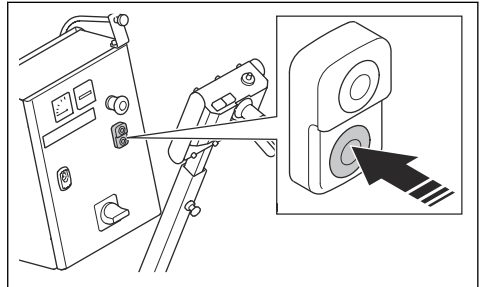
8. Make sure that the hotspot is equally applied on the surface for correct adjustment.



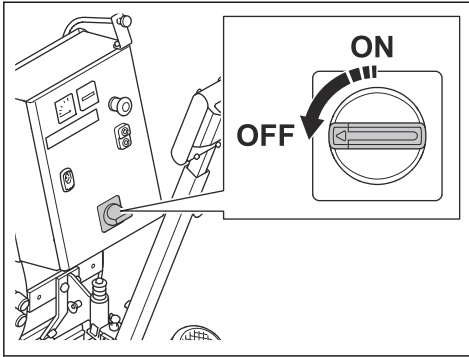
9. Tighten the adjustment lever and the 3 nuts when the control cage is in correct position.

To stop the product

1. Push the abrasive control cable to close the abrasive valve. Refer to *To operate the abrasive valve on page 12.*
2. Push the OFF button to stop the blast motor.



3. Turn the ON/OFF switch to the OFF position.



4. Disconnect the power plug from the power supply.
5. Stop the dust extractor. Refer to the operator's manual of the dust extractor.

Maintenance

Introduction



WARNING: Before you do maintenance, you must read and understand the safety chapter.



WARNING: Use personal protective equipment when you do servicing and maintenance. Refer to *Personal protective equipment on page 6*.



WARNING: Before you do the maintenance, stop the motor and disconnect the power plug from the power supply. Make sure that all drives stop.

For all servicing and repair work on the product, special training is necessary. We guarantee the availability of professional repairs and servicing. If your dealer is not a service agent, speak to them for information about the nearest service agent.

For more detailed information, refer to www.husqvarnaconstruction.com.

Maintenance schedule

* = General maintenance done by the operator. The instructions are not given in this operator's manual.

X = The instructions are given in this operator's manual.

O = The instructions are not given in this operator's manual. Let an approved service agent do the maintenance.

General product maintenance	Each 3 h	Daily	12 h after service	Each 3 months	Yearly
Make sure that nuts and screws are tight.		*	*		
Make sure that the power plug and extension cable are in good condition and not damaged.		*			
Do a check of the electrical components, the cables and the connections for wear and damages.		*			
Do a check of the RCD.		*			
Examine the electric motor for dirt and damage.		*			

General product maintenance	Each 3 h	Daily	12 h after service	Each 3 months	Yearly
Make sure that the dust extractor hose is not damaged and that there is no blockage.		*			
Empty the dust extractor.	*				
Do a check of the of the abrasive separator, the separator tray and the feedspout.	X				
Clean the product.		X			
Do a check of all safety devices.		X			
Do a check of the brush seal and magnetic seal for wear.		X			
Do a check of the control cage, blastwheel and liners for wear. Refer to <i>To do before you operate the product on page 9.</i>		X			
Do a check of the drive belt tension.		X		X	
Do a check of the drive chain tension of the drive system.				X	
Clean the drive chain of the drive system.				X	
Do a complete servicing and cleaning of the product.					O

To clean the product

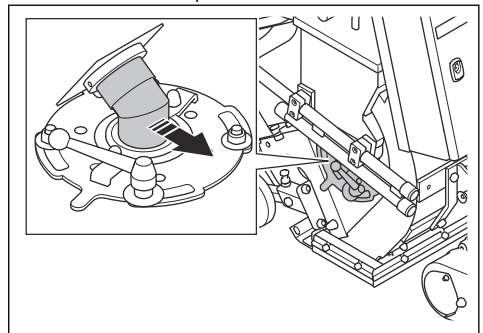
- Always clean all the equipment after use. Use a vacuum cleaner.
- Do not use a high-pressure washer to clean the product.
- Keep the air openings clean and clear to make sure that the product always has sufficiently cool temperature.

To clean the chain of the drive system

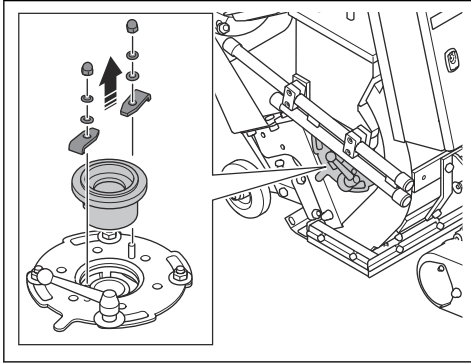
1. Remove dirt on the outer surface of the chain with a hard brush or wire brush.
2. Clean the chain with cleaning agent.
3. Remove dirt from internal parts of the chain.

To remove and install the control cage

1. Remove the feed spout.



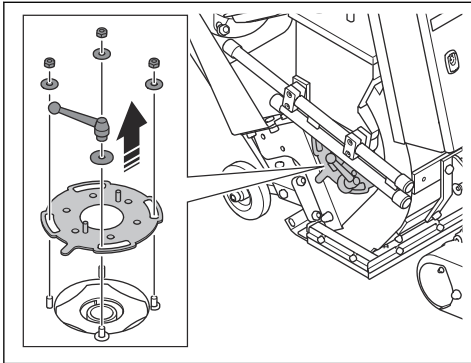
- Remove the 2 nuts, the 4 washers, the 2 cage clamps and the control cage.



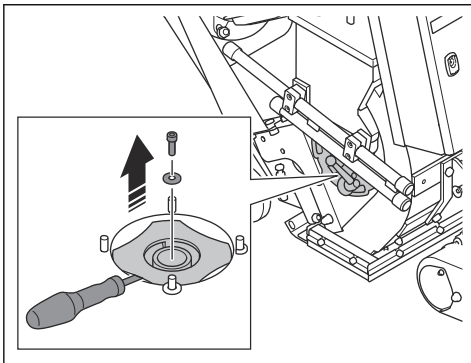
- Install the control cage in the opposite sequence.

To replace the blastwheel

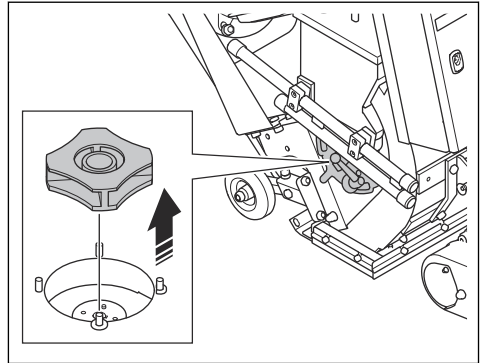
- Remove the feed spout and the control cage. Refer to *To remove and install the control cage on page 20*.
- Remove the 3 nuts, the control cage lever, the 4 washers and the lastwheel cover.



- Put an applicable tool in the blastwheel to prevent rotation. Remove the bolt and discard it.



- Remove the blastwheel.



- Install the new blastwheel in the opposite sequence.



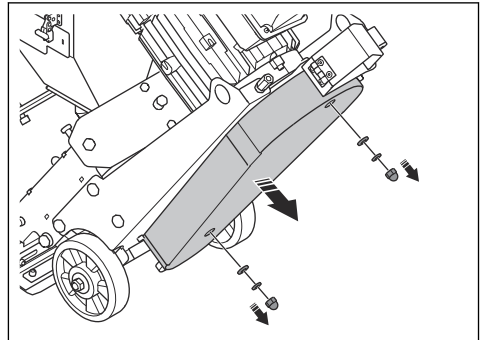
CAUTION: Always use a new bolt when you install a new blastwheel.

To do a check of the V-belt tension



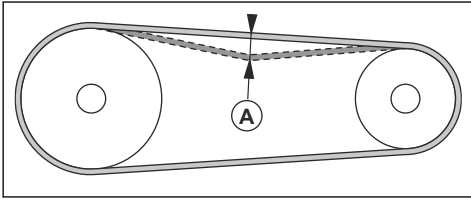
WARNING: Do not operate the product without the V-belt cover installed.

- Stop the product. Refer to *To stop the product on page 18*.
- Remove the V-belt cover.



- Examine the V-belts for damages and wear. Replace the V-belts if it is necessary.

4. Push the V-belts with your thumb to examine the tension. If you can push the V-belts a distance of 10–15 mm (A), the tension is correct.



5. If the V-belts tension is not sufficient, increase the distance between the motor and the bearing.
6. Install the V-belt cover.

To replace the V-belts



WARNING: Only remove the V-belt cover when the power supply is disconnected and the blastmotor has fully stopped.



WARNING: Do not operate the product without the V-belt cover installed.

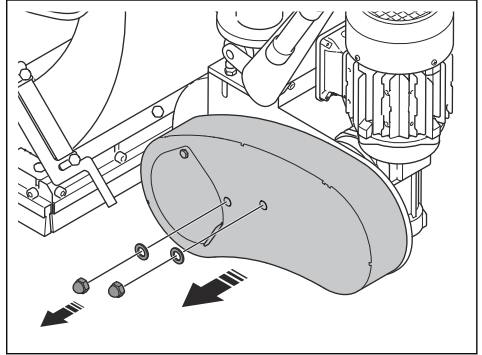
1. Remove the V-belt cover. Refer to *To do a check of the V-belt tension on page 21*.
2. Reduce the distance between the blastmotor and the bearing to release the tension of the V-belts.
3. Remove the old V-belts and install the new V-belts.
4. Increase the distance between the blastmotor and the bearing to apply tension to the V-belts. Refer to *To do a check of the V-belt tension on page 21*.
5. Attach the V-belt cover.

To do a check of the chain tension of the drive system

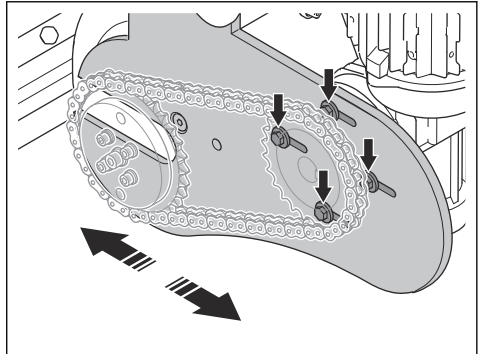


WARNING: Do not operate the product without the chain cover installed.

1. Stop the product. Refer to *To stop the product on page 18*.
2. Remove the chain cover.



3. Push the chain to examine the tension. If you can push the chain a distance of 5 mm, the tension is correct.
4. Loosen the nuts.



5. Move the chain wheel to adjust the tension.
6. Tighten the nuts.
7. Install the chain cover.

Troubleshooting

Problem	Cause	Solution
Too much vibration and/or unusual noises.	The blastwheel is worn or damaged.	Replace the parts that are worn or damaged.
	Incorrect alignment of the blastwheel and control cage.	Adjust the alignment of blastwheel and control cage.
	There are loose screws and nuts.	Tighten all screws and nuts.
	Incorrect tension of the V-belts.	Do a check of the V-belt tension. Refer to <i>To do a check of the V-belt tension on page 21</i> .
	The motor is damaged.	Replace the motor. Speak to an approved Husqvarna service agent.
	The wheels are damaged.	Replace the wheels.
Decreased or no performance.	The supply of abrasive to the blastwheel is not sufficient.	Clean the separator tray and refill the abrasive separator with abrasive.
		Do a check of the feed spout and the abrasive valve.
	The type of abrasive is incorrect for the surface.	Replace the abrasive with correct abrasive for the surface.
	The abrasive has contamination.	Do a check of the dust extractor and dust extractor hose.
	The blastwheel or the control cage is worn or damaged.	Replace the blastwheel and/or the control cage.
	Too much abrasive hits the surface at the start of the operation.	Close the abrasive valve and stop the product. Start the operation again and slowly open the abrasive valve.
The drive speed of the product is too high.	Decrease the drive speed.	
Abrasive leaves the product.	The magnetic seals are at an incorrect distance from the surface.	Adjust the height of the magnetic seals.
	Damaged seals.	Do a check of all the seals and replace if necessary.
	The quality of abrasive is not satisfactory.	Speak to your dealer for more information.
The wear is more than usual on parts of the blasthousing.	Incorrect abrasive.	Speak to your dealer for more information.
	The control cage is not installed correctly.	Adjust the control cage to set a better blast pattern.
	Dust extractor does not give enough suction power.	Do a check of the dust extractor hose and the dust extractor.
The product does not move.	The drive speed is too low.	Increase the drive speed.
	The blasthead gets caught on the floor.	Adjust the height.
	The drive system is damaged or not connected.	Engage the drive system. Do a check of the drive chain.

Problem	Cause	Solution
The motor does not start.	A phase of the power supply is missing.	Do a check of the power supply.
	A phase of the power supply is incorrect.	Adjust the phase.
	The emergency stop button is engaged.	Turn the emergency stop button clockwise to disengage.
	The motor protection switch is engaged.	Start the product again. Do a check of the power supply.
	The extension cable is disconnected or damaged.	Connect the extension cable or if it is necessary, replace the extension cable.
	A component is damaged.	Speak to an approved Husqvarna service agent.
The product stops after a while.	The motor protection switch releases because of overload.	Speak to an approved Husqvarna service agent.
	The motor has a damage.	Do a check of the motor.
	A safety fuse or a fault current breaker is on.	Speak to an approved Husqvarna service agent.
	Cables are damaged.	Do a check of the cable and replace if necessary.
The drive system does not operate correctly.	The drive system is not engaged.	Install the quick-release pin.
	Safety fuse or the drive system motor is damaged.	Speak to an approved Husqvarna service agent.
	The control panel is damaged.	Speak to an approved Husqvarna service agent.
	The potentiometer is damaged.	Speak to an approved Husqvarna service agent.

Transportation, storage and disposal

Transportation



WARNING: Be careful during transportation. The product is heavy and can cause injury or damage if it falls or moves during transportation.



CAUTION: Do not tow the product behind a vehicle.

- Make sure that the power supply is disconnected before transportation.
- Make sure that the electrical cable and dust extractor hose are disconnected before transportation.
- Remove the abrasive before transportation.

- The wheels let you move the product shorter distances. For longer distances, lift the product to move it or put the product on a vehicle.
- Put some type of protection on the product during transportation. The protection keeps natural elements such as rain and snow away from the product.
- Engage the drive system during transportation. Refer to *To engage the drive system on page 10*.

To move the product manually



WARNING: Wait until all moving parts are stationary before you move the product.



WARNING: Use protective boots with steel toe-cap and non-slip sole.



WARNING: Do not move the product up and down ramps manually with the drive system disengaged. Only move the product manually on level ground.

1. Disengage the drive system. Refer to *To engage the drive system on page 10*.
2. Push the handle downwards.
3. Push or pull the product by the handle.
4. Engage the drive system. Refer to *To engage the drive system on page 10*. With the motor off, this has the function of a parking brake and prevents accidental movement of the product.

To move the product with the drive system



WARNING: The product is heavy and there is a risk of injury if the product falls. Be careful when you move around the product.



WARNING: Do not lift the product of the ground during operation.



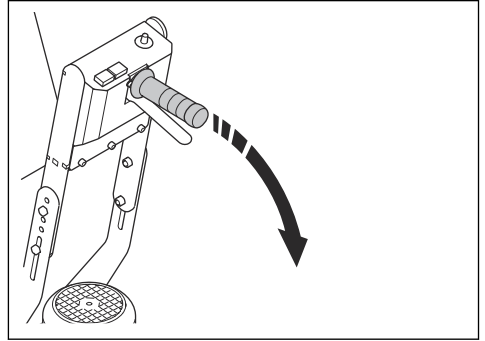
WARNING: Do not move the product forward during operation.



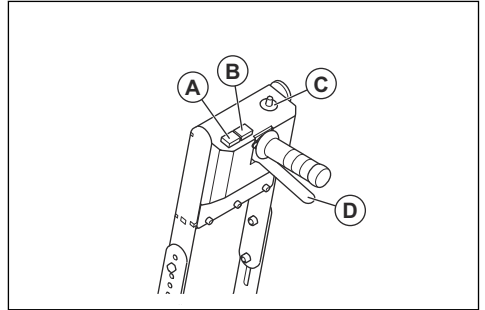
WARNING: Use protective boots with steel toe-cap and non-slip sole.

1. Engage the drive system. Refer to *To engage the drive system on page 10*.

2. Pull down the handle to lift the product from the surface.



3. Set and adjust the movement speed with the speed control dial (C).



4. Push and hold the drive system lever (D) to move the product rearward.
5. Push and hold the overdrive button (A) to move at maximum speed.
6. Push and hold the forward button (B) to move the product forward.

To move the product up and down a ramp



WARNING: Be very careful when you move the product up and down ramps. The product is heavy and there is a risk of injury if the product falls or moves too quickly.



WARNING: For ramps with a steep slope, always use a winch. Do not walk or stay below or near the product.

- To move the product down a ramp, operate the product forward slowly.
- To move the product up a ramp, operate the product rearward slowly.
- Do not turn the product to the left or to the right more than 45° on a ramp.

To lift the product



WARNING: Make sure that the lifting equipment has the correct specification to lift the product safely. The type plate on the product shows the product weight.

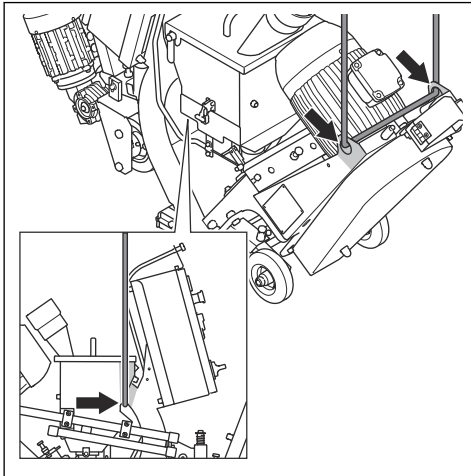


WARNING: Do not walk or stay below or near a lifted product. Keep bystanders away from the work area.



WARNING: Do not lift a damaged product. Make sure that the lifting eye is correctly installed and not damaged.

1. Attach the lifting equipment at the lifting points.



2. Lift the product safely. Hold the handle until the product is lifted off the ground.

To attach the product to a transportation vehicle

Use the lifting eyes to attach the product to the transportation vehicle.

1. Attach the tie-down straps in the lifting eyes.
2. Attach and tighten the tie-down straps to the transportation vehicle.

Storage



CAUTION: Do not put the product in storage outdoors. Always keep the product indoors.

- Keep the product in a dry and frost-free area.

- Clean the product and do a complete servicing before you put the product in storage.
- Keep the product in a locked area to prevent access for children or persons that are not approved.
- Remove abrasive from the abrasive separator.

Disposal of the product

- Obey the local recycling requirements and applicable regulations.
- When the product no longer is used, send it to a Husqvarna dealer or discard it at a recycling location.

Technical data

	1-8DPS30 1x230V	1-8DPS30 3x400V	1-8DPS55
Rated power, W	3180	3370	5680
Rated voltage, V	230	400	
Rated frequency, Hz	50		
Rated current, A	13,4	6,95	11
Cable length, m	10		
Power cable type	3x2.5 mm ²	4x2.5 mm ²	
Operation width, mm	203		
Drive speed, m/min	0–23		
Maximum cleaning gradeability, deg/%	10/18		
Product dimensions (LxWxH), mm	1570x380x1050		1700x380x1050
Weight, kg	145		155
Operation temperature, °C	-10–45		
Diameter dust hose connection, mm	75		
Dust extractor	Speak to a Husqvarna service agent for more information.		

Note: If your product requires an electrical specification that is not in the table, speak to a Husqvarna service agent for more information.

Noise and vibration emissions

Noise emission	
Sound pressure level at the operator's ear, LP dB (A) ¹	76
Vibration levels	
Main handle, m/s ² ²	0.5
¹ Sound pressure level determined according to EN ISO 11202. Measured on concrete surface. Uncertainty Kpa 2.5 dB	
² Weighted effective acceleration measured at the handle according to EN ISO 20643. Measured on concrete surface. Uncertainty K 0.5 m/s ²	

Approved abrasive

	High carbon steel shot			High carbon steel grit
Approved abrasive	S-330	S-390	S-460*	SG25*

	High carbon steel shot			High carbon steel grit
mm	1.0	1.2	1.4	1.0
*special operations				

Extension cables

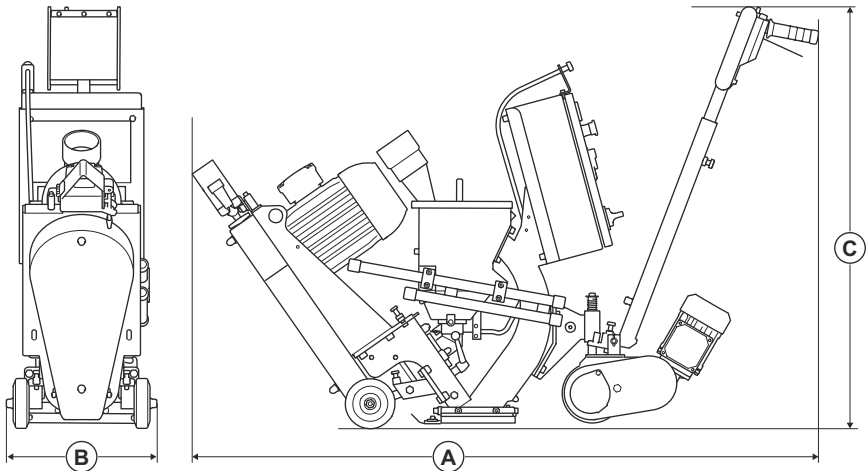
Cable length	Cross section			
	≤ 16 A	≤ 32 A	≤ 63 A	≤ 125 A
Calculated at a pre-fuse GG ¹ :	16 amp	32 amp	63 amp	125 amp
>20 m	1.5 mm ²	2.5 mm ²	10 mm ²	25 mm ²
20 m > 50 m	2.5 mm ²	4 mm ²	10 mm ²	25 mm ²
50 m > 75 m	4 mm ²	6 mm ²	16 mm ²	35 mm ²
¹ The cross sections must be re-calculated when other type or dimension pre-fuse are used than is given.				

Noise and vibration declaration statement

These declared values were obtained by laboratory type testing in accordance with the stated directive or standards and are suitable for comparison with the declared values of other products tested in accordance with the same directive or standards. These declared

values are not suitable for use in risk assessments and values measured in individual work places may be higher. The actual exposure values and risk of harm experienced by an individual user are unique and depend upon the way the user works, in what material the product is used, as well as upon the exposure time and the physical condition of the user, and the condition of the product.

Product dimensions



A	Length, mm	1570
B	Width, mm	380
C	Height, mm	1050

Declaration of Conformity

EU Declaration of Conformity

We, Husqvarna AB, SE-561 82 Huskvarna, Sweden, tel:
+46- 36-146500, declare on our sole responsibility that
the product:

Description	Shotblaster
Brand	Husqvarna
Type/Model	1-8DPS30, 1-8DPS55
Identification	Serial numbers dating from 2023 and onwards

complies fully with the following EU directives and
regulations:

Directive/Regulation	Description
2006/42/EC	"relating to machinery"
2014/30/EU	"relating to electromagnetic compatibility"

and that the following standards and/or technical
specifications are applied;

EN ISO 12100:2010

Partille, 2023-04-03



Martin Huber
R&D Director, Concrete Surfaces & Floors
Husqvarna AB, Construction Division
Responsible for technical documentation



Inhalt

Einleitung.....	31	Fehlersuche.....	54
Sicherheit.....	34	Transport, Lagerung und Entsorgung.....	55
Betrieb.....	39	Technische Daten	58
Wartung.....	50	Konformitätserklärung.....	61

Einleitung

Gerätebeschreibung

Bei dem Gerät handelt es sich um einen handgeführte Kugelstrahlmaschine, die von Elektromotoren betrieben wird. Das Gerät verfügt über ein Schleuderrad, das Metallstrahlmittel auf die Oberfläche schleudert. Das Gerät muss während des Betriebs an einen geeigneten Staubabsauger angeschlossen sein.

Gerät kann auf trockenen, frostfreien horizontalen Oberflächen verwendet werden. Zum Beispiel Beton, Asphalt, Stein und Stahl.

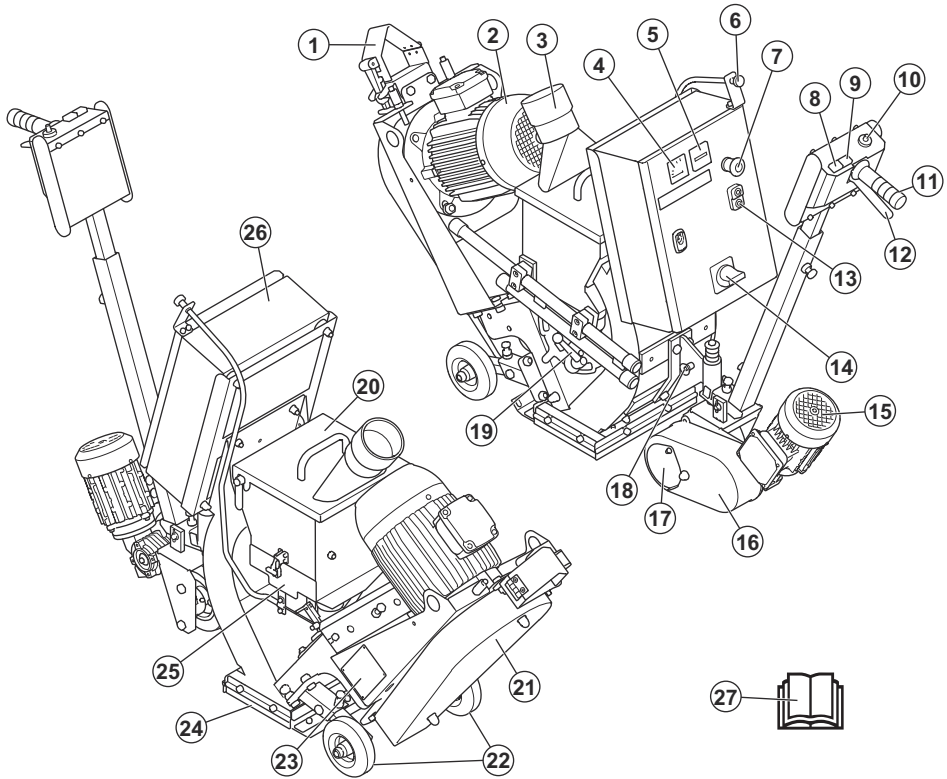
Das Gerät ist für den gewerblichen Betrieb und für professionelle Bediener vorgesehen.

Verwenden Sie das Gerät nicht für andere Aufgaben.

Verwendungszweck

Das Gerät wird zum Entfernen dünner Lackschichten, von Dichtstoffen und Verunreinigungen verwendet. Das

Geräteübersicht



1. Klemme für Staubschlauch und Elektrokabel
2. Strahlmotor
3. Staubabsaugeranschluss
4. Amperemeter für Strahlmotor
5. Betriebsstundenzähler
6. Strahlmittelsteuerkabel
7. Not-Aus-Taste
8. Overdrive-Taste
9. Vorwärts-Taste
10. Drehzahlregler
11. Lenkgriff
12. Hebel des Antriebssystems
13. ON/OFF-Taste des Strahlmotors
14. EIN/-AUS-Schalter
15. Motor des Antriebssystems
16. Abdeckung des Antriebssystems
17. Kettenschutz
18. Schnellverschlusspin
19. Einstellhebel für den Steuerkäfig

20. Deckel des Abscheiders
21. Keilriemenabdeckung
22. Räder
23. Typenschild
24. Strahlkopf mit Dichtungen
25. Auszug des Abscheiders
26. Schaltkasten
27. Bedienungsanleitung

Symbole auf dem Gerät



Warnung: Dieses Gerät kann gefährlich sein und schwere oder tödliche Verletzungen des Bedieners oder anderer Personen verursachen. Gehen Sie vorsichtig vor, und verwenden Sie das Gerät ordnungsgemäß.



Hochspannung.



Halten Sie alle Körperteile von heißen Oberflächen fern.



Aufnahmepunkt.



Halten Sie die Hände von rotierenden Teilen fern.



Lesen Sie die Bedienungsanleitung sorgfältig durch, und machen Sie sich mit den Anweisungen vertraut, bevor Sie das Gerät verwenden.



Tragen Sie einen zugelassenen Atemschutz.



Tragen Sie einen zugelassenen Gehörschutz.



Tragen Sie einen zugelassenen Augenschutz.



Tragen Sie zugelassene Schutzhandschuhe.



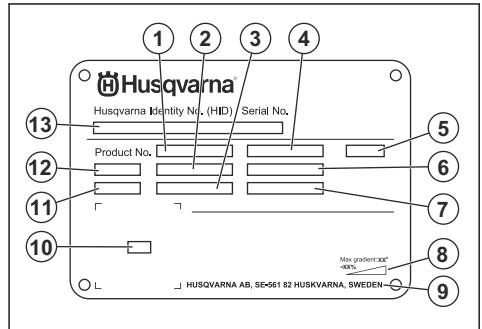
Tragen Sie zugelassene Schutzstiefel.



Dieses Gerät entspricht den geltenden EU-Richtlinien.

Hinweis: Sonstige Symbole/Aufkleber auf dem Gerät beziehen sich auf spezielle Zertifizierungsanforderungen, die in bestimmten Ländern gelten.

Typenschild



1. Gerätemummer
2. Gerätegewicht
3. Nennleistung
4. Nennspannung
5. Gehäuse
6. Nennstrom
7. Häufigkeit
8. Maximaler Neigungswinkel
9. Hersteller
10. Scanbarer Code
11. Baujahr
12. Modell
13. Seriennummer

Produkthaftung

Im Sinne der Produkthaftungsgesetze übernehmen wir keine Haftung für Schäden, die unser Gerät verursacht, wenn...

- das Gerät nicht ordnungsgemäß repariert wird.
- das Gerät mit Teilen repariert wird, die nicht vom Hersteller stammen oder nicht vom Hersteller zugelassen sind.
- ein Zubehörteil mit dem Gerät verwendet wird, das nicht vom Hersteller stammt oder nicht vom Hersteller zugelassen ist.
- das Gerät nicht bei einem zugelassenen Service Center oder von einem zugelassenen Fachmann repariert wird.

Sicherheit

Sicherheitsdefinitionen

Warnungen, Vorsichtsmaßnahmen und Hinweise werden verwendet, um auf besonders wichtige Teile der Bedienungsanleitung hinzuweisen.



WARNUNG: Wird verwendet, wenn bei Nichtbeachtung der Anweisungen in diesem Handbuch die Gefahr von Verletzung oder Tod des Bedieners oder anderer Personen besteht.



ACHTUNG: Wird verwendet, wenn bei Nichtbeachtung der Anweisungen in diesem Handbuch die Gefahr von Schäden am Gerät, an anderen Materialien oder in der Umgebung besteht.

Hinweis: Für weitere Informationen, die in bestimmten Situationen nötig sind.

Allgemeine Sicherheitshinweise



WARNUNG: Lesen Sie die folgenden Warnhinweise, bevor Sie das Gerät verwenden.

- Dieses Gerät ist ein gefährliches Werkzeug, wenn Sie nicht aufpassen oder es unsachgemäß verwenden. Dieses Gerät kann schwere oder tödliche Verletzungen des Bedieners oder anderer Personen verursachen. Es ist sehr wichtig, dass Sie vor der Anwendung des Produkts den Inhalt dieser Bedienungsanleitung gelesen und verstanden haben.
- Der Gebrauch dieses Geräts ist Personen (einschließlich Kindern), die über eingeschränkte körperliche, sensorische oder geistige Fähigkeiten verfügen oder denen es an der erforderlichen Erfahrung und Kenntnissen mangelt, untersagt.
- Bewahren Sie alle Warn- und Sicherheitshinweise auf.
- Halten Sie alle geltenden Gesetze und Vorschriften ein.
- Der Bediener und dessen Arbeitgeber müssen die mit dem Betrieb des Geräts verbundenen Gefahren kennen und vermeiden.
- Untersagen Sie allen Personen die Benutzung des Geräts, bis diese den Inhalt der Bedienungsanleitung gelesen und verstanden haben.
- Verwenden Sie das Gerät nicht, ohne vorher dafür geschult worden zu sein. Stellen Sie sicher, dass alle Bediener Schulungen erhalten.

- Lassen Sie nicht zu, dass Kinder das Gerät verwenden.
- Es dürfen nur zugelassene Personen mit dem Gerät arbeiten.
- Der Bediener ist für Unfälle verantwortlich, die anderen Personen zustoßen oder an deren Eigentum entstehen.
- Verwenden Sie das Gerät nicht, wenn Sie müde oder krank sind oder unter Einfluss von Alkohol, Drogen oder Medikamenten stehen.
- Lassen Sie immer Vorsicht walten, und arbeiten Sie mit gesundem Menschenverstand.
- Halten Sie das Gerät sauber. Stellen Sie sicher, dass Symbole und Aufkleber deutlich lesbar sind.
- Verwenden Sie das Gerät nicht, wenn es beschädigt ist oder nicht ordnungsgemäß funktioniert.
- Nehmen Sie keine Modifikationen am Gerät vor.
- Bedienen Sie das Gerät nicht, wenn die Möglichkeit besteht, dass andere Personen Modifikationen daran durchgeführt haben.

Sicherheitshinweise für den Betrieb



WARNUNG: Lesen Sie die folgenden Warnhinweise, bevor Sie das Gerät verwenden.

- Tragen Sie eine persönliche Schutzausrüstung. Siehe *Persönliche Schutzausrüstung auf Seite 36*.
- Eine übermäßige Belastung durch Vibrationen kann bei Personen mit verminderter Durchblutung Kreislauf- oder Nervenschäden verursachen. Suchen Sie einen Arzt auf, wenn Sie an Ihrem Körper Symptome feststellen, die darauf hinweisen, dass Sie zu starken Vibrationen ausgesetzt waren. Zu diesen Symptomen zählen beispielsweise Einschlafen von Körperteilen, Gefühlsverlust, Kitzeln, Stechen, Schmerz, Verlust oder Beeinträchtigung der normalen Körperkraft, Veränderungen der Hautfarbe oder der Hautbeschaffenheit. Diese Beschwerden treten normalerweise in den Fingern, Händen und Handgelenken auf.
- Bedienen Sie das Gerät nicht, ohne dass alle Schutzabdeckungen montiert sind.
- Stellen Sie sicher, dass Sie wissen, wie der Motor in einem Notfall schnell gestoppt werden kann.
- Bevor Sie sich vom Gerät entfernen, stoppen Sie den Motor, und ziehen Sie das Netzkabel ab. Stellen Sie sicher, dass versehentliches Starten verhindert wird.
- Achten Sie darauf, dass sich Kleidung, langes Haar und Schmuck nicht in beweglichen Teilen verfangen können

- Stellen Sie sicher, dass Sie während der Arbeit eine sichere und stabile Position einnehmen.
 - Stellen Sie sicher, dass keine Schrauben oder Muttern locker sind.
 - Heben oder kippen Sie den Strahlkopf nicht während des Betriebs an. Dann tritt Strahlmittel mit hoher Geschwindigkeit aus dem Gerät aus und kann Verletzungen verursachen. Ziehen Sie stets den Stecker vom Netz, bevor Sie das Gerät anheben oder kippen.
 - Stellen Sie sicher, dass Abscheider und Abscheider-Auszug während des Betriebs geschlossen sind.
 - Bedienen Sie das Gerät nur dann, wenn Sie bei einem Unfall Hilfe bekommen können.
 - Verwenden Sie immer zugelassenes Zubehör. Ihr Husqvarna-Händler steht Ihnen gern für weitere Informationen zur Verfügung.
 - Wenn Vibrationen im Gerät auftreten oder es ungewöhnlich laut ist, stoppen Sie es umgehend. Ziehen Sie den Netzstecker aus der Steckdose. Untersuchen Sie das Gerät auf beschädigte Teile. Reparieren Sie Schäden, oder lassen Sie eine zugelassene Servicewerkstatt die Reparatur durchführen.
 - Schließen Sie das Gerät zur Entfernung des Staubs immer an einen Staubabsauger an.
 - Ziehen Sie nicht am Schlauch des Staubabsaugers. Das Gerät kann herunterfallen und Verletzungen oder Schäden verursachen.
 - Lassen Sie den Staubabsauger eingeschaltet, bis der Motor ganz zum Stillstand gekommen ist.
 - Bedienen Sie das Gerät nur von hinten mit Ihrer Hand am Lenkgriff.
 - Achten Sie darauf, dass sich auf den Handgriffen kein Fett oder Öl befindet.
 - Achten Sie darauf, dass die Dichtungen der Bürstenleiste nicht beschädigt sind.
 - Achten Sie darauf, dass die Dichtungen der Bürstenleiste in der richtigen Höhe installiert sind.
 - Verwenden Sie stets zugelassene Strahlmittel. Ihr Husqvarna-Händler steht Ihnen gern für weitere Informationen zur Verfügung. Siehe *Zugelassenes Strahlmittel auf Seite 59*.
 - Achten Sie darauf, dass der Strahlmotor die richtige Drehrichtung hat. Achten Sie darauf, dass der Strahlmotor die richtige Drehrichtung hat.
- Armen, Schultern und/oder Nerven sowie bei der Blutversorgung oder an anderen Körperteilen kommen. Die Verletzungen können hinderlich und/oder chronisch werden und sich allmählich über Wochen, Monate oder Jahre hinweg verstärken. Zu möglichen Verletzungen können Schäden am Blutkreislauf, am Nervensystem, an Gelenken und anderen Körperteilen gehören.
- Symptome können während des Betriebs des Geräts oder zu einem anderen Zeitpunkt auftreten. Wenn Sie bereits Symptome haben und das Gerät weiter bedienen, können sich die Symptome verstärken oder chronisch werden. Wenn Sie diese oder andere Symptome an sich bemerken, wenden Sie sich an einen Arzt:
 - Taubheit, Gefühlsverlust, Kribbeln, Stechen, Schmerz, Brennen, Pochen, Steifheit, Schwerfälligkeit, Verlust von Kraft, Veränderungen an Hautfarbe oder Hautzustand.
 - Bei niedrigen Temperaturen können sich die Symptome verstärken. Tragen Sie warme Kleidung, und halten Sie Ihre Hände warm und trocken, wenn Sie das Gerät in kalten Umgebungen betreiben.
 - Warten und betreiben Sie das Gerät gemäß den Anweisungen der Bedienungsanleitung, um einen vorschriftsmäßigen Vibrationspegel sicherzustellen.
 - Das Gerät verfügt über ein Antivibrationssystem, das die Vibrationen an den Griffen für den Bediener reduziert. Lassen Sie das Gerät die Arbeit verrichten.
 - Platzieren Sie Ihre Hände nur auf dem Griff bzw. den Griffen. Halten Sie alle anderen Körperteile vom Gerät fern.
 - Stoppen Sie das Gerät sofort, wenn plötzlich starke Vibrationen auftreten. Setzen Sie den Betrieb erst fort, wenn die Ursache für die gesteigerten Vibrationen beseitigt wurde.

Staubtechnische Sicherheit



WARNUNG: Lesen Sie die folgenden Warnhinweise, bevor Sie das Gerät verwenden.

- Der Betrieb des Geräts kann Staub in der Luft verursachen. Staub kann schwere Verletzungen und permanente Gesundheitsprobleme verursachen. Silikatstaub wurde von verschiedenen Behörden als schädlich eingestuft. Dies sind Beispiele für derartige Gesundheitsprobleme:
 - Die tödlichen Lungenkrankheiten chronische Bronchitis, Silikose und Lungenfibrose
 - Krebs
 - Angeborene Fehlbildungen
 - Hautentzündung
- Verwenden Sie eine angemessene Ausstattung, um die Menge von Staub und Dämpfen in der Luft und den Staub auf Arbeitsgeräten, Oberflächen, Kleidung und Körperteilen zu verringern. Beispiele



WARNUNG: Lesen Sie die folgenden Warnhinweise, bevor Sie das Gerät verwenden.

- Beim Betrieb des Geräts kommt es zu Vibrationen, die vom Gerät auf den Bediener übertragen werden. Regelmäßiger und häufiger Betrieb des Geräts kann zu Verletzungen des Bedieners führen oder Symptome verstärken. Es kann zu Verletzungen an Fingern, Händen, Handgelenken,

für Steuerungen sind Staubsammelsysteme. Reduzieren Sie den Staub an der Quelle, falls möglich. Stellen Sie sicher, dass die Ausstattung korrekt montiert ist und verwendet wird und dass sie regelmäßig gewartet wird.

- Tragen Sie einen zugelassenen Atemschutz. Stellen Sie sicher, dass der Atemschutz für die gefährlichen Materialien im Arbeitsbereich geeignet ist.
- Stellen Sie sicher, dass der Arbeitsbereich ausreichend belüftet ist.

Lärm – Sicherheit



WARNUNG: Lesen Sie die folgenden Warnhinweise, bevor Sie das Gerät benutzen.

- Ein hoher Geräuschpegel und Lärmbelastung über einen langen Zeitraum können zu lärmbedingten Hörschäden führen.
- Um den Geräuschpegel auf einem Minimum zu halten, warten und betreiben Sie das Gerät gemäß den Anweisungen der Bedienungsanleitung.
- Tragen Sie einen zugelassenen Gehörschutz beim Arbeiten mit dem Gerät.
- Beachten Sie Warnsignale und Stimmen, wenn Sie einen Gehörschutz tragen. Entfernen Sie den Gehörschutz, wenn das Gerät ausgeschaltet wird, es sei denn, er ist bei dem Geräuschpegel in Ihrem Arbeitsbereich erforderlich.

Persönliche Schutzausrüstung



WARNUNG: Lesen Sie die folgenden Warnhinweise, bevor Sie das Gerät verwenden.

- Verwenden Sie stets die vorgeschriebene persönliche Schutzausrüstung bei der Bedienung des Geräts. Die persönliche Schutzausrüstung kann Verletzungen nicht vollständig vermeiden, vermindert aber den Umfang der Verletzungen und Schäden bei einem Unfall. Lassen Sie sich bei der Auswahl der korrekten persönlichen Schutzausrüstung und für deren Verwendung von Ihrem Händler beraten.
- Überprüfen Sie regelmäßig den Zustand der persönlichen Schutzausrüstung.
- Tragen Sie einen zugelassenen Gehörschutz.
- Tragen Sie einen zugelassenen Atemschutz.
- Tragen Sie einen zugelassenen Augenschutz mit seitlicher Abschirmung.
- Tragen Sie stets Schutzhandschuhe.
- Tragen Sie Stiefel mit Stahlkappe und rutschfester Sohle.
- Tragen Sie zugelassene Arbeitskleidung oder gleichwertige, eng anliegende Kleidung mit langen Ärmeln und langen Hosenbeinen.

Feuerlöscher

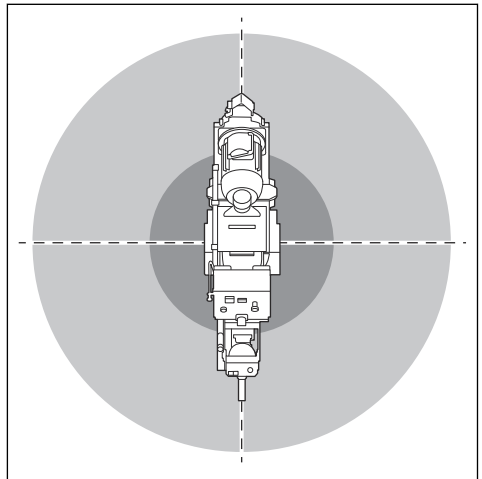
- Halten Sie in der Nähe des Arbeitsbereichs einen Feuerlöscher griffbereit.
- Verwenden Sie einen Pulver-Feuerlöscher oder einen Kohlendioxid-Feuerlöscher.

Sicherheit im Arbeitsbereich



WARNUNG: Lesen Sie die folgenden Warnhinweise, bevor Sie das Gerät verwenden.

- Es liegt in der Verantwortung des Bedieners, die zu behandelnde Oberfläche zu analysieren. Der Bediener muss eine Risikobewertung aufgrund der ermittelten Informationen über die zu behandelnde Oberfläche durchführen und geeignete Vorsichtsmaßnahmen für die auszuführenden Arbeiten treffen.
- Verwenden Sie das Gerät nicht bei Nebel, Regen, starkem Wind, kaltem Wetter, Gewittergefahr oder anderen schlechten Wetterbedingungen.
- Achten Sie auf Personen, Objekte und Situationen, die einen sicheren Betrieb des Geräts verhindern könnten.
- Verwenden Sie das Gerät nicht in Bereichen, in denen Feuer oder Explosionen auftreten können. Das Gerät erzeugt Funken; entflammables Material kann sich mit Staub oder Dämpfen entzünden.
- Achten Sie darauf, dass sich Kinder, umstehenden Personen und Tiere nicht im Arbeitsbereich aufhalten und in einem sicheren Abstand zum Gerät befinden. Der Sicherheitsabstand beträgt 5 m.



- Stellen Sie sicher, dass sich umstehende Personen und Tiere nicht im Arbeitsbereich aufhalten und in einem sicheren Abstand zum Gerät befinden.
- Stellen Sie sicher, dass sich nur befugte Personen im Arbeitsbereich befinden.

- Achten Sie auf einen sauberen und gut beleuchteten Arbeitsbereich. Durch zugestellte oder dunkle Arbeitsbereiche steigt die Unfallgefahr stark an.
- Entfernen Sie Objekte wie Schrauben, Bolzen, Kabel und Steine aus dem Arbeitsbereich, bevor Sie das Gerät verwenden.
- Stellen Sie sicher, dass sich keine Kabel oder Schläuche in der Betriebsrichtung des Geräts befinden.
- Stellen Sie sicher, dass unebene Oberflächen, wie Schweißnähte oder Bodenverbindungen, das Gerät nicht stoppen.
- Achten Sie im Arbeitsbereich auf eine ausreichende Belüftung.

Elektrische Sicherheit



WARNUNG: Bei elektrisch angetriebenen Geräten besteht immer die Gefahr von elektrischen Schlägen. Verwenden Sie das Gerät nicht bei schlechtem Wetter. Berühren Sie keine Blitzableiter und Metallgegenstände. Verwenden Sie das Gerät immer gemäß den in diesem Betriebshandbuch hinterlegten Anweisungen, um Verletzungen zu vermeiden.



WARNUNG: Verwenden Sie stets eine Stromversorgung mit Fehlerstromgerät (RCD). Durch ein RCD wird das Risiko von Stromschlägen verringert.



WARNUNG: Hochspannung. Das Antriebsaggregat enthält ungeschützte Teile. Trennen Sie immer den Netzstecker, bevor Sie die Klappe des Schaltkastens öffnen.



ACHTUNG: Die Stromversorgung aus dem Gerät oder vom Generator muss ausreichend und konstant sein, um einen störungsfreien Betrieb des Motors sicherzustellen. Eine falsche Spannung führt dazu, dass der Stromverbrauch und die Temperatur des Motors ansteigen, bis der Sicherheitskreis ausgelöst wird. Die Auslegung des Netzkabels muss mit den nationalen und lokalen Vorschriften übereinstimmen. Die Auslegung der Netzsteckdose muss mit der Stromstärke der Steckdose und des Verlängerungskabels des Geräts übereinstimmen.

Wenn das Stromnetz einen höheren Systemwiderstand aufweist, kann beim Starten des Geräts die Spannung kurzzeitig abfallen. Dies kann den Betrieb anderer

Geräte beeinflussen, z. B. ein Flackern des Lichts verursachen.

- Der Netzstecker muss zur Steckdose passen. Der Netzstecker darf in keiner Weise verändert werden. Verwenden Sie bei Elektrowerkzeugen mit Schutzkontakt (geerdet) niemals Adapterstecker. Nicht modifizierte Stecker und passende Steckdosen reduzieren das Risiko eines Stromschlags.
- Vermeiden Sie Körperkontakt mit geerdeten Gegenständen wie Rohrleitungen, Heizungen, Herden oder Kühlschränken. Bei Körperkontakt mit geerdeten Gegenständen besteht ein erhöhtes Stromschlagrisiko.
- Kontrollieren Sie, ob die Leistung, die Sicherung und die Netzspannung mit dem entsprechenden Spannungswert auf dem Typenschild des Geräts übereinstimmen.
- Schalten Sie das Gerät immer aus, bevor Sie den Netzstecker ziehen.
- Stellen Sie sicher, dass sich der EIN-/AUS-Schalter in der Position OFF befindet, bevor Sie das Gerät am Netzteil anschließen.
- Ziehen Sie immer den Netzstecker, wenn Sie das Gerät längere Zeit nicht verwenden.
- Verwenden Sie das Gerät nicht, wenn Stromkabel oder Stecker beschädigt sind. Ist das Netzkabel beschädigt, muss es zur Gefahrenvermeidung vom Hersteller, dessen Servicewerkstatt oder von gleichermaßen qualifizierten Personen ausgetauscht werden. Ein beschädigtes Netzkabel kann zu schweren und tödlichen Verletzungen führen.
- Verwenden Sie das Netzkabel nach Vorschrift. Verwenden Sie das Netzkabel nicht, um das Gerät zu verschieben, zu ziehen oder von der Netzspannung zu trennen. Ziehen Sie direkt am Stecker, um das Netzkabel abzuführen. Ziehen Sie nicht am Netzkabel.
- Verwenden Sie das Gerät nur auf trockenen Flächen.
- Halten Sie das Gerät von Regen fern. Wasser, das in das Gerät eindringt, erhöht das Risiko eines elektrischen Schlags.
- Achten Sie immer darauf, dass das Netzkabel getrennt ist, wenn Sie den Stecker des Motorkabels und des Schaltkastens ein- oder ausstecken.
- Um eine Gefährdung durch versehentliches Zurücksetzen des Thermowächters zu vermeiden, darf dieses Gerät nicht über ein externes Schaltgerät, z. B. einen Timer, ans Stromnetz oder an einen Stromkreis angeschlossen werden, der regelmäßig von der Anlage ein- und ausgeschaltet wird.
- Achten Sie darauf, dass die Stromversorgung für das Gerät über separate Transformatoren erfolgt, die nur für industrielle Zwecke verwendet werden.

Anweisungen für geerdete Geräte



WARNUNG: Ein falscher Anschluss kann zu einem Stromschlag führen. Wenden Sie sich an einen qualifizierten Elektriker, wenn Sie Zweifel daran haben, ob die Netzsteckdose richtig geerdet ist.

Nehmen Sie keine Modifikationen am Netzstecker vor. Dieser muss den Werksspezifikationen entsprechen. Wenn der Netzstecker oder das Netzkabel beschädigt ist oder ersetzt werden muss, wenden Sie sich an Ihre Husqvarna Servicewerkstatt. Beachten Sie die vor Ort geltenden Vorschriften und Gesetze.

Wenden Sie sich an einen qualifizierten Elektriker, wenn Sie die Anweisungen hinsichtlich des geerdeten Geräts nicht vollständig verstehen.

Verwenden Sie nur geerdete Verlängerungskabel für den Außenbereich mit Erdungssteckern und einer Erdungssteckdose, die für den Netzstecker des Geräts geeignet ist.

Das Gerät verfügt über ein geerdetes Netzkabel und einen Netzstecker. Schließen Sie das Gerät immer an eine geerdete Steckdose an. Dadurch wird das Risiko von Stromschlägen verringert.

Verwenden Sie keine elektrischen Adapter am Gerät.

Verlängerungskabel

- Verwenden Sie nur zugelassene Verlängerungskabel mit den entsprechenden Eigenschaften.
- Der Nennwert auf dem Verlängerungskabel muss dem auf dem Typenschild des Geräts angegebenen Wert entsprechen oder höher sein.
- Verwenden Sie Schuko-Verlängerungskabel.
- Wenn Sie das Gerät im Freien benutzen, verwenden Sie ein für den Außeneinsatz geeignetes Verlängerungskabel. Dadurch wird das Risiko von Stromschlägen verringert.
- Achten Sie darauf, dass die Verbindung mit dem Verlängerungskabel trocken ist und keinen Bodenkontakt hat.
- Halten Sie das Verlängerungskabel fern von Hitzequellen, Öl, scharfen Kanten und beweglichen Teilen. Ein beschädigtes Kabel erhöht das Risiko eines Stromschlags.
- Stellen Sie sicher, dass sich das Verlängerungskabel in einem guten Zustand befindet und unbeschädigt ist.
- Verwenden Sie das Verlängerungskabel nicht im aufgewickelten Zustand. Dies kann dazu führen, dass das Verlängerungskabel zu heiß wird.
- Stellen Sie sicher, dass das Verlängerungskabel während des Betriebs nicht im Weg ist und

das Gerät nicht behindert. Dadurch wird eine Beschädigung des Verlängerungskabels vermieden.

Sicherheitsvorrichtungen am Gerät



WARNUNG: Lesen Sie die folgenden Warnhinweise, bevor Sie das Gerät verwenden.

- Verwenden Sie das Produkt nicht, wenn die Sicherheitsvorrichtungen nicht ordnungsgemäß funktionieren.
- Führen Sie täglich eine Überprüfung der Sicherheitsvorrichtungen durch. Wenn Ihre Sicherheitsvorrichtungen nicht ordnungsgemäß funktionieren oder beschädigt sind, wenden Sie sich an Ihre Husqvarna-Servicewerkstatt.
- Führen Sie keine Änderungen an den Sicherheitsvorrichtungen durch

Not-Aus-Taste

Mit der Not-Aus-Taste kann der Motor schnell abgestellt werden.

So führen Sie eine Prüfung der Not-Aus-Taste durch

Unter *Geräteübersicht auf Seite 32* finden Sie Informationen darüber, wo sich die Not-Aus-Taste an Ihrem Gerät befindet.

1. Drehen Sie die Not-Aus-Taste im Uhrzeigersinn, um sicherzustellen, dass die Not-Aus-Taste deaktiviert ist.
2. Das Gerät starten. Siehe *So starten Sie das Gerät auf Seite 46*.
3. Drücken Sie die Not-Aus-Taste.
4. Vergewissern Sie sich, dass der Motor vollständig zum Stillstand gekommen ist.
5. Drehen Sie die Not-Aus-Taste im Uhrzeigersinn, um sie zu deaktivieren.

Amperemeter

Das Amperemeter zeigt die Strahllast auf der Oberfläche an. Die maximale Stromstärke wird oberhalb des Amperemeters angezeigt.

So überprüfen Sie das Amperemeter

Siehe *Geräteübersicht auf Seite 32* für Informationen darüber, wo sich das Amperemeter an Ihrem Gerät befindet.

1. Das Gerät starten. Siehe *So starten Sie das Gerät auf Seite 46*.
2. Warten Sie, bis sich das Amperemeter in der Leerlaufstellung befindet.
3. Stoppen Sie das Gerät. Siehe *So stoppen Sie das Gerät auf Seite 49*.

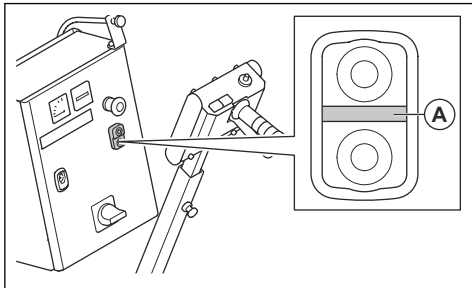
ON/OFF-Tasten des Strahlmotors

Die ON/OFF-Tasten des Strahlmotors dienen zum Ein- und Ausschalten des Strahlmotors. Siehe *So überprüfen Sie die ON/OFF-Tasten des Strahlmotors auf Seite 39*.

So überprüfen Sie die ON/OFF-Tasten des Strahlmotors

Siehe *Geräteübersicht auf Seite 32* für Informationen darüber, wo sich die ON/OFF-Tasten an Ihrem Gerät befinden.

1. Drehen Sie die Not-Aus-Taste im Uhrzeigersinn, um sicherzustellen, dass die Not-Aus-Taste deaktiviert ist.
2. Das Gerät starten. Siehe *So starten Sie das Gerät auf Seite 46*.
3. Drücken Sie die ON-Taste des Strahlmotors.
4. Stellen Sie sicher, dass der Motor startet und die Leuchte (A) aufleuchtet.



5. Stoppen Sie den Motor. Siehe *So stoppen Sie das Gerät auf Seite 49*.
6. Stellen Sie sicher, dass der Motor anhält, wenn Sie die OFF-Taste drücken.

EIN-/AUS-Schalter

Der ON/OFF-Schalter wird zum Starten und Stoppen der Stromversorgung des Geräts verwendet.

So prüfen Sie den EIN-/AUS-Schalter

Siehe *Geräteübersicht auf Seite 32* um zu erfahren, wo sich der ON/OFF-Schalter auf Ihrem Gerät befindet.

1. Drehen Sie die Not-Aus-Taste im Uhrzeigersinn, um sicherzustellen, dass die Not-Aus-Taste deaktiviert ist.

2. Drehen Sie den ON/OFF-Schalter in die Position ON.
3. Vergewissern Sie sich, dass die Stromversorgung gegeben ist.
4. Drehen Sie den ON/OFF-Schalter in die Position OFF.
5. Vergewissern Sie sich, dass die Stromversorgung abgeschaltet ist.

Sicherheitshinweise für die Wartung



WARNUNG: Lesen Sie die folgenden Warnhinweise, bevor Sie das Gerät verwenden.

- Führen Sie nur Wartungsarbeiten durch, die gemäß dieser Betriebsanleitung vorgegeben sind. Lassen Sie alle anderen Wartungsarbeiten von einer autorisierten Servicewerkstatt durchführen.
- Wenn die Wartung nicht ordnungsgemäß und regelmäßig erfolgt, erhöhen sich die Verletzungsgefahr und das Risiko für eine Beschädigung des Geräts.
- Reinigen Sie das Gerät, und entfernen Sie gefährliches Material vor der Wartung.
- Führen Sie die Wartung des Geräts auf einem stabilen, ebenen Untergrund durch. Sorgen Sie dafür, dass sich das Gerät nicht bewegen kann.
- Nehmen Sie keine Modifikationen am Gerät vor. Veränderungen am Gerät, die vom Hersteller nicht genehmigt wurden, können zu schweren Verletzungen oder zum Tod führen.
- Ersetzen Sie beschädigte, verschlissene oder defekte Teile.
- Reinigen Sie das Gerät nicht mit einem Hochdruckreiniger.
- Verwenden Sie nur fusselfreie Reinigungstücher.
- Verwenden Sie immer Originalersatzteile und Originalzubehör. Zubehör und Ersatzteile, die vom Hersteller nicht genehmigt wurden, können zu schweren Verletzungen oder zum Tod führen.
- Führen Sie nach der Wartung eine Überprüfung des Vibrationswerts im Gerät durch. Wenn er nicht korrekt ist, wenden Sie sich an eine autorisierte Servicewerkstatt.
- Lassen Sie das Gerät regelmäßig von einer autorisierten Servicewerkstatt warten.

Betrieb

Einleitung



WARNUNG: Vor dem Betrieb des Gerätes müssen Sie die Sicherheitsinformationen lesen und verstehen.

Bevor Sie das Gerät bedienen

1. Lesen Sie die Bedienungsanleitung sorgfältig durch, und stellen Sie sicher, dass Sie die Anweisungen verstehen.

2. Lesen Sie die Bedienungsanleitung für den Staubabsauger sorgfältig durch, und vergewissern Sie sich, dass Sie die Anweisungen verstanden haben.
3. Wenn das Gerät in Verbindung mit einer Stromquelle betrieben wird, stellen Sie sicher, dass Sie die Bedienungsanleitung dieser Stromquelle gelesen und verstanden haben.
4. Tragen Sie eine persönliche Schutzausrüstung. Siehe *Persönliche Schutzausrüstung auf Seite 36*.
5. Stellen Sie sicher, dass sich nur befugte Personen im Arbeitsbereich befinden.
6. Warten Sie das Gerät täglich. Siehe *Wartungsplan auf Seite 50*.
7. Stellen Sie sicher, dass das Gerät korrekt zusammengebaut und unbeschädigt ist.
8. Stellen Sie sicher, dass alle Bolzen, Schrauben und Muttern fest angezogen sind.
9. Stellen Sie sicher, dass das Schleuderrad, der Zufuhrstutzen, die Einsätze und die Dichtung nicht beschädigt oder verschlissen sind. Ersetzen Sie die Teile, wenn 75 % der Blattstärke abgenutzt sind.
10. Achten Sie darauf, dass der Abscheider unbeschädigt ist.
11. Achten Sie darauf, dass der Abscheider bis zur Auszugshöhe mit Strahlmittel gefüllt ist.
12. Stellen Sie das Gerät in den Arbeitsbereich. Stellen Sie sicher, dass die Oberfläche waagrecht ist. Stellen Sie sicher, dass der Transport des Geräts zum und im Arbeitsbereich sicher und ordnungsgemäß erfolgt. Siehe *Transport, Lagerung und Entsorgung auf Seite 55*.
13. Schließen Sie einen Staubabsauger an das Gerät an. Siehe *So schließen Sie einen Staubabsauger an auf Seite 44*.
14. Stellen Sie sicher, dass sich der EIN-/AUS-Schalter in der Position OFF befindet, bevor Sie das Gerät an die Stromversorgung anschließen.
15. Schließen Sie das Gerät an eine Stromquelle an. Siehe *So schließen Sie das Gerät an die Stromversorgung an auf Seite 45*.
16. Stellen Sie sicher, dass die Dichtungen der Bürstenleiste in der richtigen Höhe angebracht sind. Siehe *So stellen Sie die Höhe der Dichtungen der Bürstenleiste ein auf Seite 43*.
17. Stellen Sie sicher, dass sich die Magnetdichtungen in der richtigen Höhe befinden. Siehe *So stellen Sie die Höhe der Magnetdichtungen ein auf Seite 43*.

Antriebssystem

Das Antriebssystem wird während des Betriebs verwendet und ermöglicht die Bewegung des Geräts mit dem Antriebsrad. Siehe *So bewegen Sie das Gerät mit dem Antriebssystem auf Seite 56*.

Schalten Sie den Antrieb während des Betriebs immer ein.

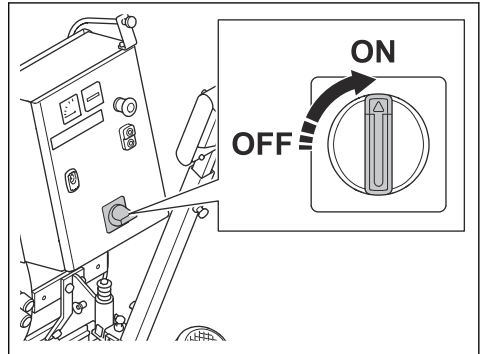
So aktivieren Sie das Antriebssystem



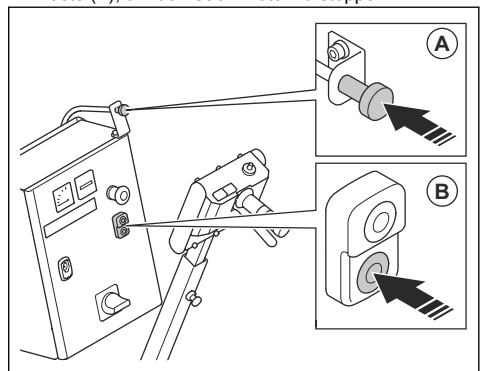
WARNUNG: Halten Sie Ihre Hände von rotierenden Teilen fern. Gehen Sie beim Anbringen des Schnellverschlussspins sehr vorsichtig vor.

Installieren Sie den Schnellverschlussspin, um das Antriebssystem zu aktivieren. Der Schnellverschlusspin befindet sich über dem Antriebsrad. Siehe *Geräteübersicht auf Seite 32*.

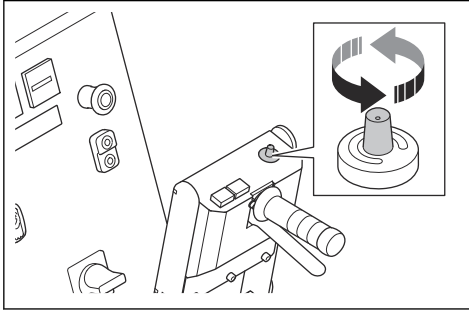
1. Drehen Sie den EIN-/AUS-Schalter in die Position ON.



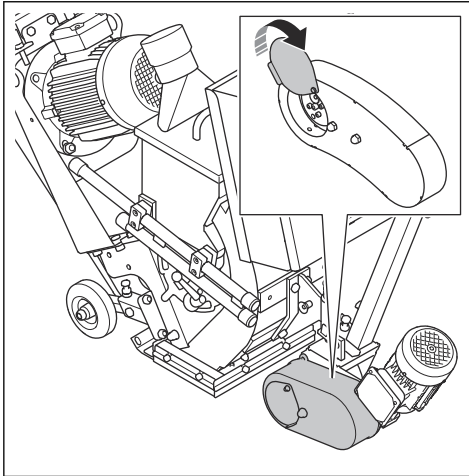
2. Drücken Sie das Strahlmittelsteuerkabel (A), um das Strahlmittelventil zu schließen. Drücken Sie die OFF-Taste (B), um den Strahlmotor zu stoppen.



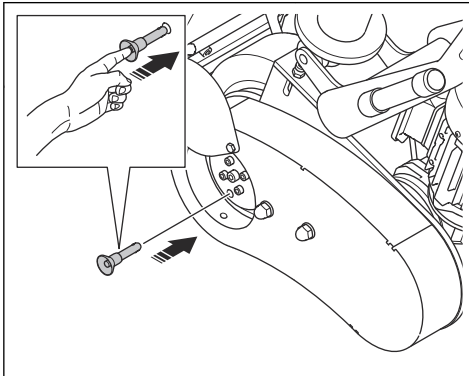
3. Stellen Sie die Bewegungsgeschwindigkeit auf die geringstmögliche Geschwindigkeit ein, ca. 0,5.



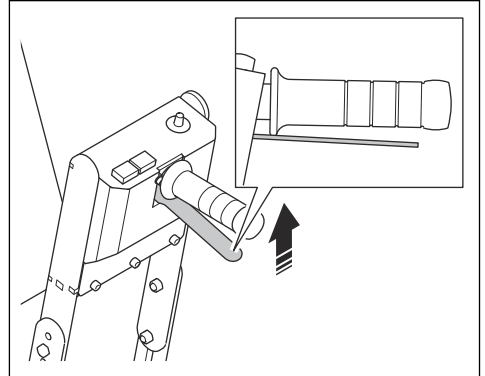
4. Öffnen Sie die Antriebskettenabdeckung.



5. Installieren Sie den Schnellverschlusspin. Halten Sie den Schnellverschlusspin mit einem Finger gedrückt.

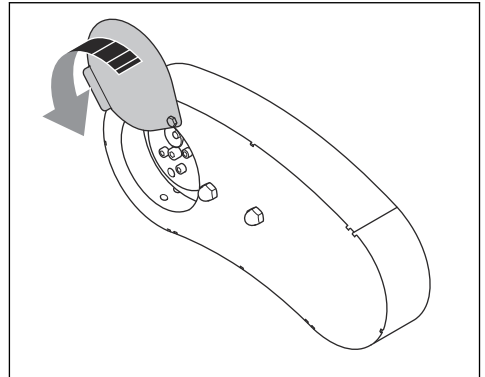


6. Verwenden Sie die andere Hand, um den Hebel des Antriebssystems zu bedienen.



Der Schnellverschlusspin rastet ein, wenn das Antriebssystem aktiviert wird.

7. Schließen Sie die Antriebskettenabdeckung.



8. Informationen zum Ausschalten des Antriebssystems finden Sie unter *So deaktivieren Sie das Antriebssystem auf Seite 41.*

So deaktivieren Sie das Antriebssystem

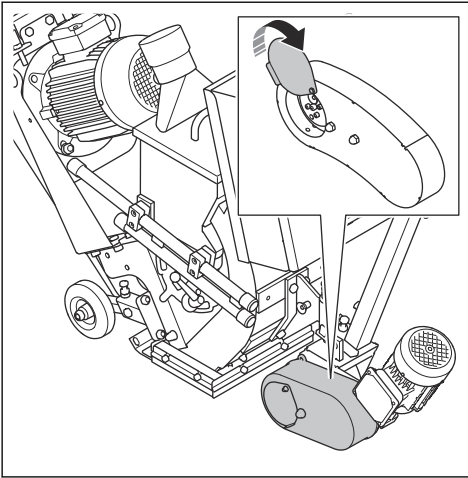


ACHTUNG: Deaktivieren Sie das Antriebssystem nur dann, wenn das Gerät auf ebenem Boden geparkt ist.

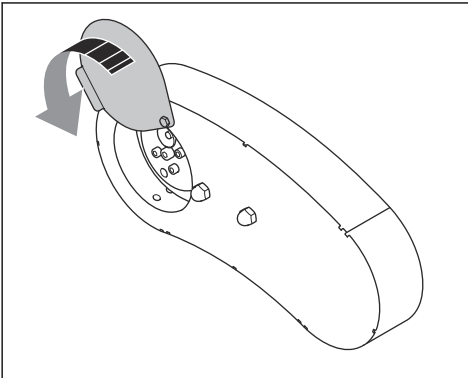
Wenn es notwendig ist, das Gerät bei abgeschaltetem Motor von Hand zu bewegen, muss das Antriebssystem deaktiviert werden. Entfernen Sie den Schnellverschlusspin, um das Antriebssystem zu deaktivieren.

1. Parken Sie das Gerät auf einem ebenen Untergrund und stoppen Sie das Gerät.
2. Trennen Sie das Netzteil.

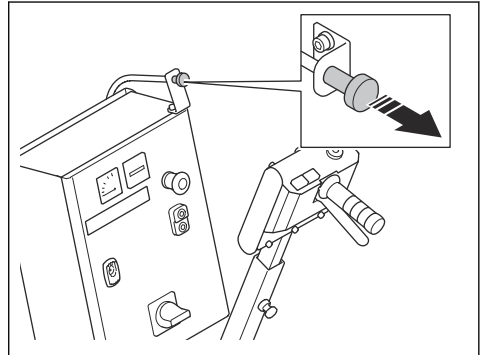
3. Öffnen Sie die Antriebskettenabdeckung.



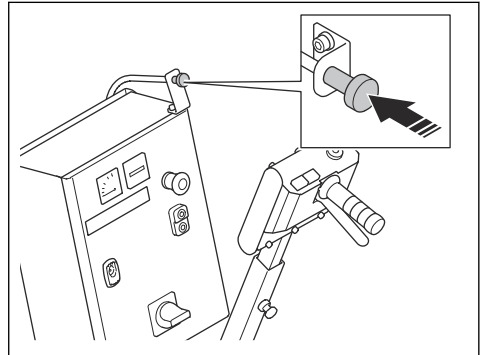
4. Ziehen Sie den Schnellverschlusspin heraus.
5. Legen Sie den Schnellverschlusspin in seiner Lagerposition ab.
6. Schließen Sie die Antriebskettenabdeckung.



1. Ziehen Sie am Strahlmittelsteuerkabel, um das Strahlmittelventil zu öffnen und den Fluss der Strahlmittelmenge einzustellen.



2. Drücken Sie das Strahlmittelsteuerkabel, um das Strahlmittelventil zu schließen und den Fluss der Strahlmittelmenge einzustellen.



Strahlmitteldichtung

Die Strahlmitteldichtung sorgt dafür, dass das Schleifmittel während des Betriebs im Gerät bleibt. Die Strahlmitteldichtung hat Magnetdichtungen (A) an den

Strahlmittelventil

Das magnetische Strahlmittelventil steuert den Durchfluss der Strahlmittelmenge zum Schleuderrad. Die Einstellung des Strahlmittelventils wird auf dem Amperemeter angezeigt. Siehe *Amperemeter auf Seite 38*.

Das Strahlmittelventil wird mit dem Strahlmittelsteuerkabel eingestellt. Siehe *So bedienen Sie das Strahlmittelventil auf Seite 42*.

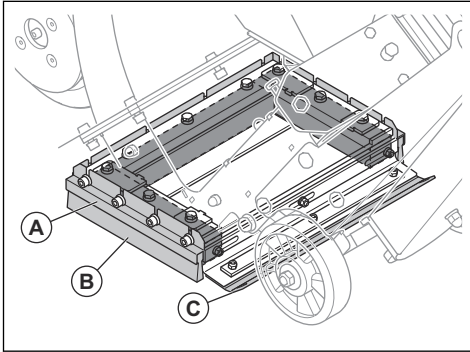
So bedienen Sie das Strahlmittelventil



ACHTUNG: Öffnen Sie das Strahlmittelventil nur, wenn der Strahlmotor in Betrieb ist.

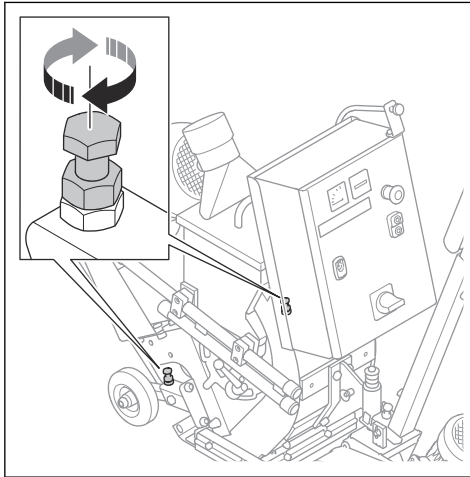
Seiten und vor dem Strahlgehäuse. Bürstenleisten (B) sind um die Magnetchichtungen angebracht.

Die Gleitringdichtung (C) bewegt sich auf der Oberfläche.

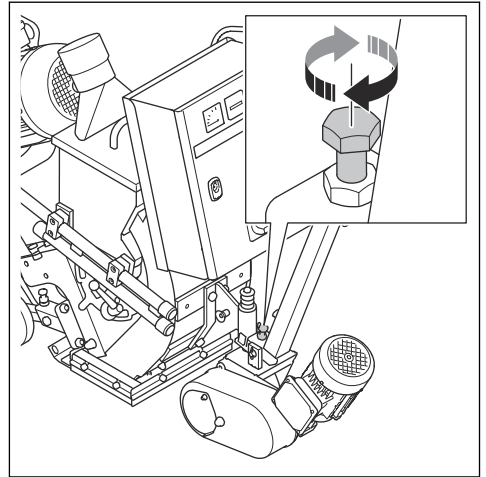


So stellen Sie die Höhe der Magnetchichtungen ein

1. Lösen Sie die 2 Einstellschrauben an den Hinterrädern.



2. Lösen Sie die Einstellschraube am Vorderrad.

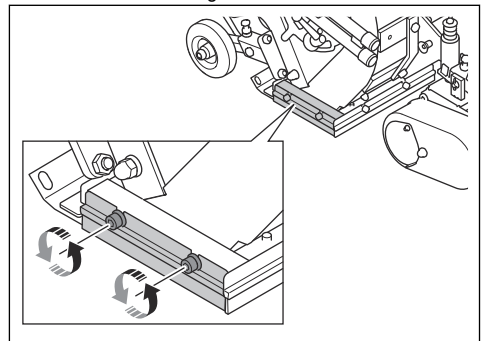


3. Stellen Sie die Höhe ein, bis die Magnetchichtungen 8–10 mm von der Oberfläche entfernt sind.
4. Ziehen Sie die Schrauben an.

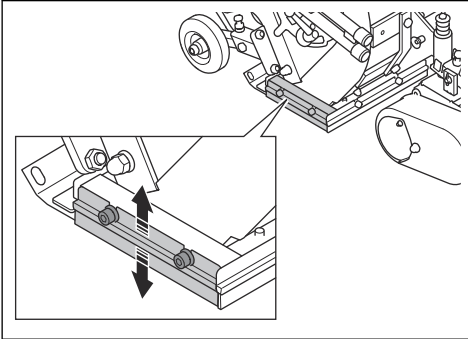
So stellen Sie die Höhe der Dichtungen der Bürstenleiste ein

Die Dichtungen der Bürstenleiste verschleifen beim Betrieb des Geräts. Die Höhe der Dichtungen der Bürstenleiste muss in regelmäßigen Abständen angepasst werden.

1. Lösen Sie die 2 Schrauben, mit denen die Bürstenleiste befestigt ist.



2. Passen Sie die Höhe der Bürstenleiste an, bis sie 1 mm über der Oberfläche liegt.



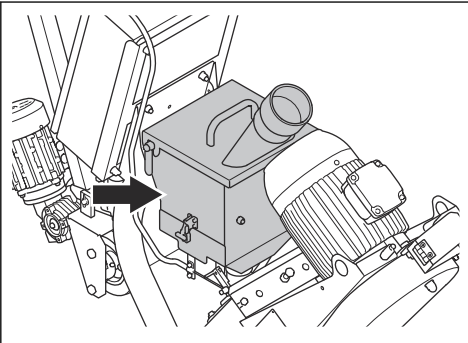
3. Ziehen Sie die 2 Schrauben an.

Abrasiv

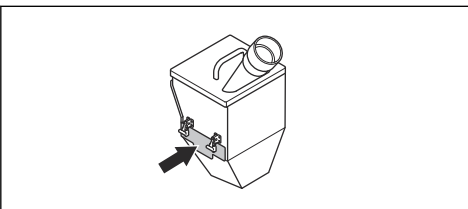
Wenden Sie sich an Ihren Husqvarna Händler, um sich bei der Auswahl des richtigen Strahlmittels für Ihre Oberfläche beraten zu lassen. Siehe *Zugelassenes Strahlmittel auf Seite 59*.

Strahlmittel-Abscheider

Durch den Strahlmittel-Abscheider bleibt das Strahlmittel frei von Verunreinigungen. Der Strahlmittel-Abscheider enthält das Strahlmittel und befördert das Strahlmittel zum Schleuderrad.



Der Abscheider-Auszug sammelt Verunreinigungen und hält sie somit vom Strahlmittel und vom Schleuderrad fern.

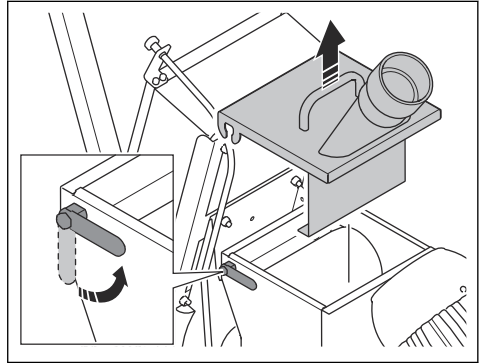


So befüllen Sie das Gerät mit Strahlmittel

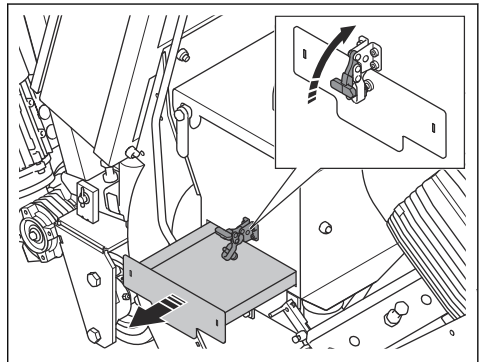


WARNUNG: Tragen Sie während des Betriebs immer eine geeignete persönliche Schutzausrüstung. Siehe *Persönliche Schutzausrüstung auf Seite 36*.

1. Schließen Sie das Strahlmittelventil. Siehe *So bedienen Sie das Strahlmittelventil auf Seite 42*.
2. Entriegeln Sie die Abdeckung und heben Sie den Handgriff, um den Abscheider zu öffnen.



3. Öffnen Sie den Auszug des Abscheiders und entfernen Sie alle Verunreinigungen, wenn Sie Strahlmittel einfüllen oder wenn es nötig ist.



4. Füllen Sie den Abscheider bis zur Auszughöhe mit Strahlmittel. Füllen Sie bei Bedarf Strahlmittel nach.

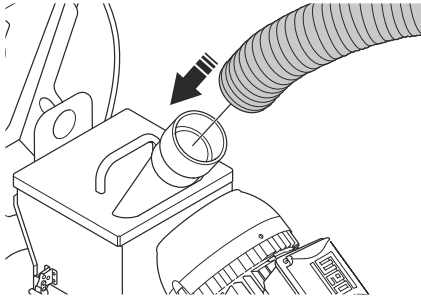
So schließen Sie einen Staubabsauger an



WARNUNG: Verwenden Sie den Staubabsauger nicht, wenn der Staubabsaugerschlauch beschädigt ist. In diesem Fall steigt das Risiko, dass Sie gesundheitsgefährdenden Staub

einatmen. Tragen Sie einen zugelassenen Atemschutz.

1. Untersuchen Sie den Staubabsaugschlauch auf Beschädigungen.
2. Stellen Sie sicher, dass die Filter im Staubabsauger sauber und unbeschädigt sind.
3. Verbinden Sie den Staubabsaugschlauch sicher mit dem Anschluss für den Staubabsauger. Verbinden Sie die angebrachten Teile mit dem mitgelieferten Werkzeug und Industrieband.



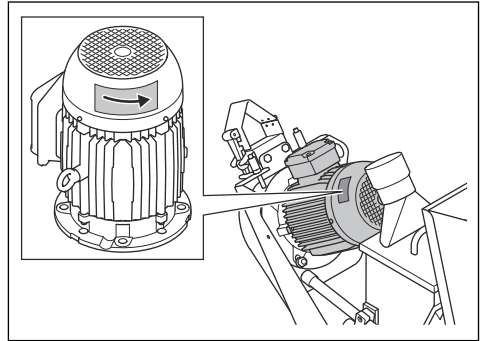
So schließen Sie das Gerät an die Stromversorgung an

1. Schließen Sie den Netzstecker des Geräts an eine geerdete Steckdose oder eine andere Stromquelle an.
2. Vergewissern Sie sich, dass die Netzspannung mit der auf dem Typenschild des Geräts angegebenen Spannung übereinstimmt.

So prüfen Sie die Drehrichtung des Motors

1. Das Gerät starten. Siehe *So starten Sie das Gerät auf Seite 46*.
2. Halten Sie das Gerät nach einigen Sekunden an. Siehe *So stoppen Sie das Gerät auf Seite 49*.

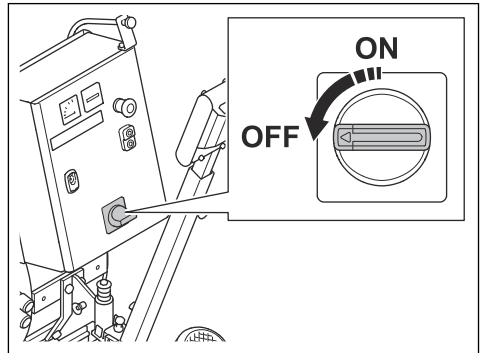
3. Stellen Sie sicher, dass der Srahlmotor die richtige Drehrichtung hat. Die richtige Richtung ist durch einen Pfeil oben auf dem Lüftergehäuse markiert.



4. Ändern Sie bei Bedarf die Drehrichtung des Motors. Siehe *So ändern Sie die Drehrichtung des Motors (nur 3-phasig) auf Seite 45*.

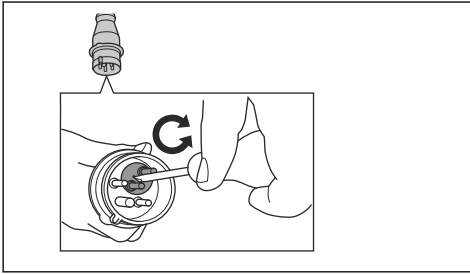
So ändern Sie die Drehrichtung des Motors (nur 3-phasig)

1. Drehen Sie den EIN-/AUS-Schalter in die Position OFF.



2. Warten Sie, bis das Gerät vollständig angehalten hat.
3. Trennen Sie das Verlängerungskabel vom Netzstecker des Geräts.

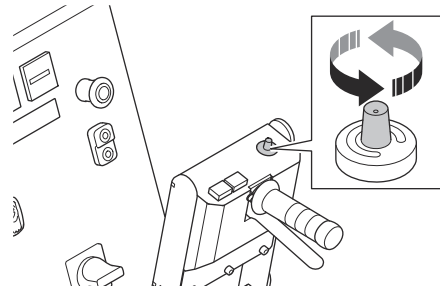
4. Drehen Sie den Wechselrichterschalter am Netzstecker des Geräts in die entgegengesetzte Position.



5. Schließen Sie das Netzkabel an, und überprüfen Sie die Drehrichtung des Motors. Siehe *So prüfen Sie die Drehrichtung des Motors auf Seite 45*.

So wählen Sie die richtige Geschwindigkeit

Für optimale Ergebnisse ist es wichtig, den Vorgang mit der richtigen Fahrgeschwindigkeit durchzuführen. Wenn die Oberfläche eine andere Qualität hat, passen Sie die Fahrgeschwindigkeit an, um das gleiche Ergebnis zu erzielen. Überprüfen Sie das Ergebnis und passen Sie bei Bedarf die Geschwindigkeit an.

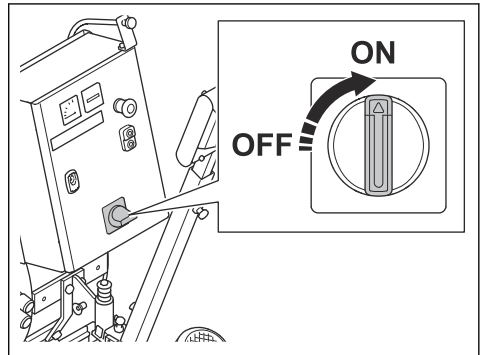


- Drehen Sie den Drehzahlregler im Uhrzeigersinn, um die Geschwindigkeit zu erhöhen.
- Drehen Sie den Drehzahlregler gegen den Uhrzeigersinn, um die Geschwindigkeit zu reduzieren.
 - a) Verwenden Sie für die leichte Behandlung auf Betonoberflächen die Fahrgeschwindigkeit 6–10.
 - b) Verwenden Sie für die gründliche Behandlung auf Betonoberflächen die Fahrgeschwindigkeit 0–5.
 - c) Verwenden Sie auf Stahloberflächen die Fahrgeschwindigkeit 0–2.

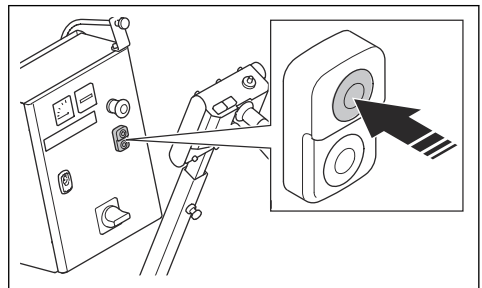
So starten Sie das Gerät

1. Schließen Sie das Gerät an eine Stromversorgung an. Siehe *So schließen Sie das Gerät an die Stromversorgung an auf Seite 45*.

2. Starten Sie den Staubabsauger. Siehe die Bedienungsanleitung für den Staubabsauger.
3. Bringen Sie den Staubabsaugerschlauch am Gerät an. Siehe *So schließen Sie einen Staubabsauger an auf Seite 44*.
4. Drehen Sie die Not-Aus-Taste im Uhrzeigersinn, um sicherzustellen, dass die Not-Aus-Taste deaktiviert ist.
5. Stellen Sie den ON/OFF-Schalter am Schaltkasten in die Position ON.

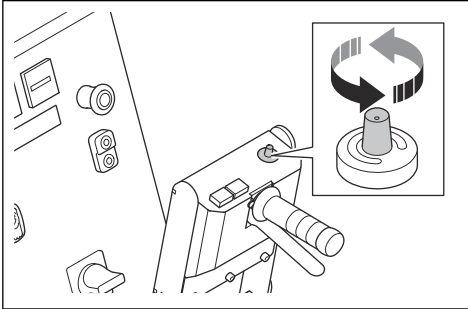


6. Aktivieren Sie das Antriebssystem. Siehe *So aktivieren Sie das Antriebssystem auf Seite 40*.
7. Drücken Sie die ON-Taste, um den Strahlmotor zu starten.



8. Warten Sie, bis sich das Amperemeter in der Leerlaufstellung befindet.
9. Stellen Sie sicher, dass die Drehrichtung des Strahlmotors korrekt ist. Siehe *So prüfen Sie die Drehrichtung des Motors auf Seite 45*.

10. Stellen Sie mit dem Drehzahlregler die Fahrgeschwindigkeit ein.



So bedienen Sie das Gerät

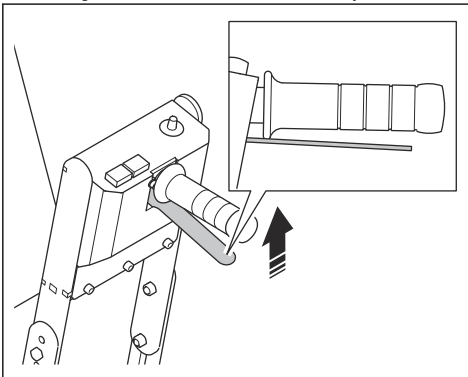


WARNUNG: Dieses Gerät ist nur für rückwärts gerichteten Betrieb ausgelegt. Bewegen Sie das Gerät während des Betriebs nicht nach vorn.

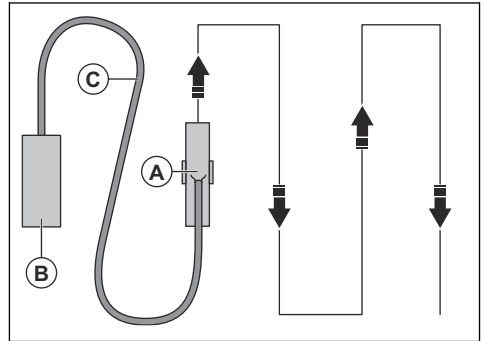


WARNUNG: Heben Sie das Strahlgehäuse während des Betriebs nicht an. Dann tritt Strahlmittel mit hoher Geschwindigkeit aus dem Gerät aus und kann Verletzungen verursachen.

1. Stellen Sie sicher, dass der Arbeitsbereich sicher ist. Siehe *Sicherheit im Arbeitsbereich auf Seite 36*.
2. Füllen Sie den Abscheider mit Strahlmittel. Füllen Sie den Abscheider bei Bedarf mit Strahlmittel. Siehe *So befüllen Sie das Gerät mit Strahlmittel auf Seite 44*.
3. Das Gerät starten. Siehe *So starten Sie das Gerät auf Seite 46*.
4. Aktivieren Sie das Antriebssystem. Siehe *So aktivieren Sie das Antriebssystem auf Seite 40*.
5. Betätigen Sie den Hebel des Antriebssystems.

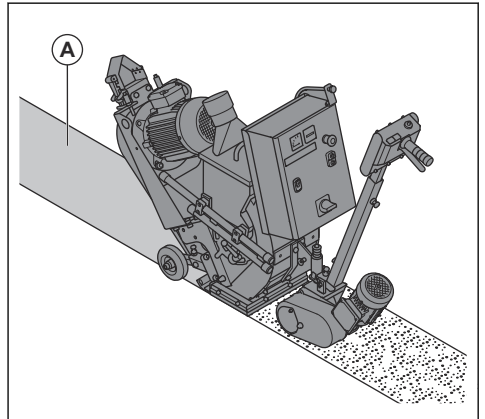


6. Ziehen Sie am Hebel für die Strahlmittelsteuerung, um das Strahlmittelventil zu öffnen. Siehe *So bedienen Sie das Strahlmittelventil auf Seite 42*.
7. Schließen Sie nach 2 m das Strahlmittelventil und stoppen Sie das Gerät.
8. Überprüfen Sie das Strahlmuster. Passen Sie bei Bedarf das Strahlmuster an. Siehe *So passen Sie das Strahlmuster an auf Seite 48*.
9. Wählen Sie die korrekte Geschwindigkeit aus. Siehe *So wählen Sie die richtige Geschwindigkeit auf Seite 46*.
10. Bewegen Sie das Gerät (A) in parallelen Bahnen. Der Staubabsauger (B) muss über den Staubabsaugerschlauch (C) mit dem Gerät (A) verbunden werden.



Strahlmuster

Das Strahlmuster (A) ist die Oberfläche, die bearbeitet wurde.



Um ein gutes Ergebnis zu erzielen, muss sich der Hotspot in der Mitte des Strahlmusters befinden. Wenn sich der Hotspot zu weit links oder rechts befindet, drehen Sie den Steuerkäfig. Siehe *So passen Sie das Strahlmuster an auf Seite 48*.

Dies sind die Bedingungen, die sich auf das Strahlmuster auswirken:

- Die Drehrichtung des Schleuderrads ist korrekt.
- Erhöhter Verschleiß an Schleuderrad, Laufrad und Steuerkäfig.
- Die Strahlmittelgröße. Das Strahlmuster muss angepasst werden, wenn Sie die Größe ändern.
- Die Position des Seitenfensters im Steuerkäfig.
- Verschiedene Arten und Härte der Oberfläche.

So passen Sie das Strahlmuster an

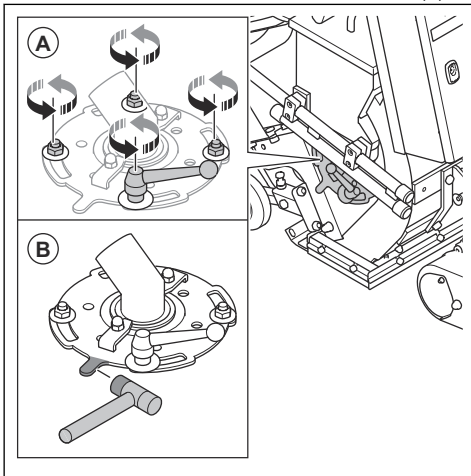


WARNUNG: Bei eingeschaltetem Gerät dürfen Käfigklemmen, Zufuhrstutzen und Schleuderrad nicht eingestellt, gelöst oder berührt werden. Trennen Sie die Stromversorgung, wenn Sie das Strahlmuster anpassen.



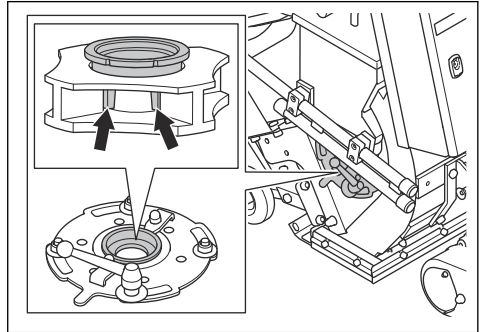
WARNUNG: Verwenden Sie beim Anpassen des Strahlmusters persönliche Schutzausrüstung. Siehe *Persönliche Schutzausrüstung auf Seite 36*.

1. Ziehen Sie den Netzstecker aus der Steckdose.
2. Lösen Sie die 3 Muttern und den Einstellhebel (A).

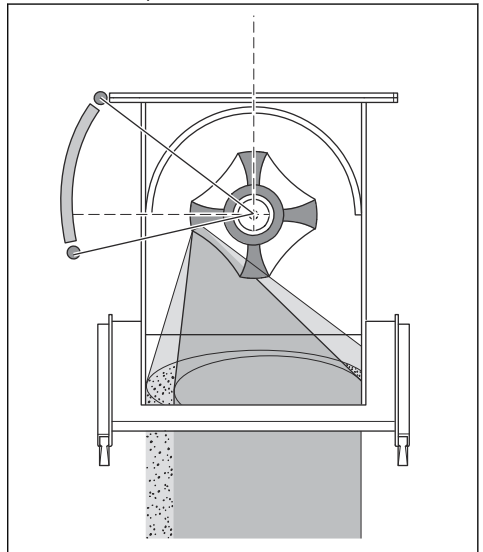


3. Schlagen Sie mit einem Gummihammer auf die Schleuderradabdeckung, um das Strahlmuster (B) einzustellen.

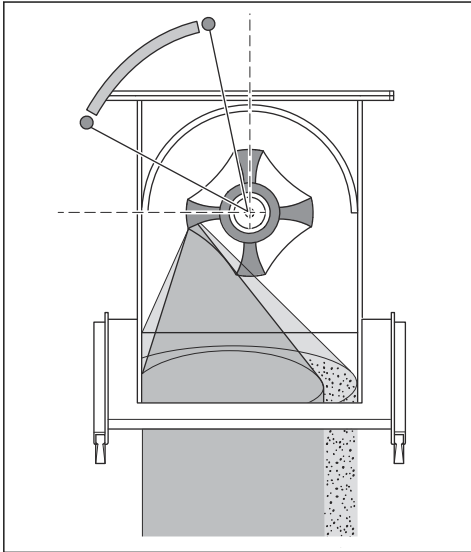
4. Wenn Sie die Schleuderradabdeckung drehen, passen Sie die Position des Steuerkäfigfensters an.



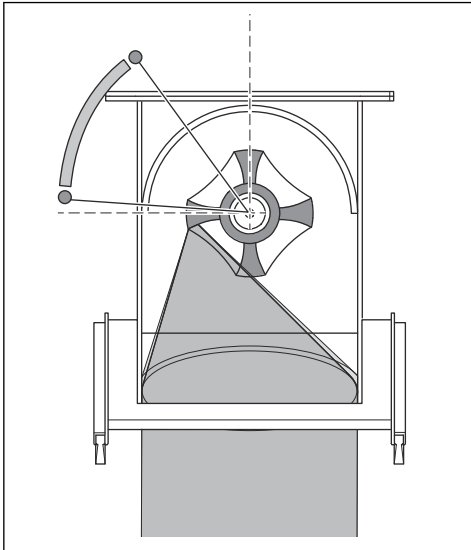
5. Stellen Sie sicher, dass sich der Einfüllstutzen nach dem Einstellen des Steuerkäfigs noch in der richtigen Position befindet.
6. Drehen Sie den Steuerkäfig im Uhrzeigersinn, wenn sich der Hotspot zu weit rechts befindet.



7. Drehen Sie den Steuerkäfig gegen den Uhrzeigersinn, wenn sich der Hotspot zu weit links befindet.



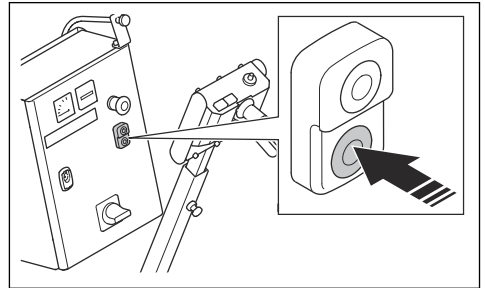
8. Stellen Sie für eine korrekte Einstellung sicher, dass der Hotspot gleichmäßig auf die Oberfläche wirkt.



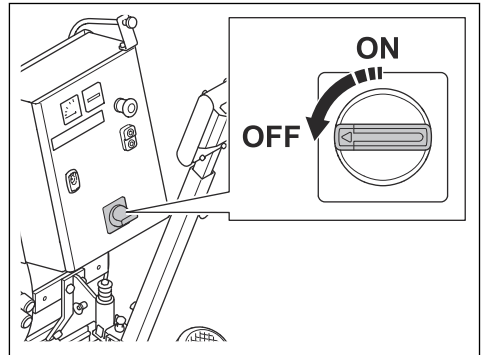
9. Ziehen Sie den Einstellhebel und die 3 Muttern fest, wenn sich der Steuerkäfig in der richtigen Position befindet.

So stoppen Sie das Gerät

1. Drücken Sie das Strahlmittelsteuerkabel, um das Strahlmittelventil zu schließen. Siehe *So bedienen Sie das Strahlmittelventil auf Seite 42*.
2. Drücken Sie die OFF-Taste, um den Strahlmotor anzuhalten.



3. Drehen Sie den EIN-/AUS-Schalter in die Position OFF.



4. Trennen Sie den Netzstecker vom Netzteil.
5. Stoppen Sie den Staubabsauger. Siehe die Bedienungsanleitung für den Staubabsauger.

Wartung

Einleitung



WARNUNG: Bevor Sie eine Wartung durchführen, müssen Sie das Kapitel über die Sicherheit lesen und verstehen.



WARNUNG: Verwenden Sie bei Service und Wartung persönliche Schutzausrüstung. Siehe *Persönliche Schutzausrüstung auf Seite 36*.



WARNUNG: Bevor Sie die Wartung durchführen, stoppen Sie den Motor und trennen den Netzstecker von der Stromversorgung. Stellen Sie sicher, dass alle Antriebe stoppen.

die Verfügbarkeit von professionellen Reparaturen und Wartungsarbeiten. Wenn Ihr Händler keine Servicewerkstatt ist, sprechen Sie mit ihm, um Informationen über die nächste Servicewerkstatt zu erhalten.

Genauere Informationen finden Sie unter www.husqvarnaconstruction.com.

Wartungsplan

* = Allgemeine Wartung durch den Bediener. Diese Anweisungen sind nicht in dieser Bedienungsanleitung enthalten.

X = Diese Anweisungen sind in dieser Bedienungsanleitung enthalten.

O = Diese Anweisungen sind nicht in dieser Bedienungsanleitung enthalten. Lassen Sie die Wartung von einer zugelassenen Servicewerkstatt durchführen.

Für alle Wartungs- und Reparaturarbeiten am Gerät ist eine spezielle Schulung erforderlich. Wir garantieren

Allgemeine Gerätewartung	Alle 3 Betriebsstunden	Täglich	12 Stunden nach der Wartung	Alle 3 Monate	Jährlich
Vergewissern Sie sich, dass alle Muttern und Schrauben fest angezogen sind.		*	*		
Stellen Sie sicher, dass der Netzstecker und das Verlängerungskabel sich in einem guten Zustand befinden und nicht beschädigt sind.		*			
Prüfen Sie die elektrischen Bauteile, Kabel und Anschlüsse auf Verschleiß und Schäden.		*			
Überprüfen Sie den FI-Schalter.		*			
Prüfen Sie den Elektromotor auf Verschmutzung und Risse.		*			
Stellen Sie sicher, dass der Staubabsaugschlauch nicht beschädigt oder verstopft ist.		*			
Leeren Sie den Staubsauger.	*				
Überprüfen Sie den Strahlmittel-Abscheider, den Auszug des Abscheiders und den Einfüllstutzen.	X				
Das Gerät reinigen.		X			

Allgemeine Gerätewartung	Alle 3 Betriebsstunden	Täglich	12 Stunden nach der Wartung	Alle 3 Monate	Jährlich
Führen Sie eine Überprüfung aller Sicherheitsvorrichtungen durch.		X			
Kontrollieren Sie die Bürstendichtung und die Magnetchichtung auf Verschleiß.		X			
Überprüfen Sie Steuerkäfig, Schleuderrad und Einsätze auf Verschleiß. Siehe <i>Bevor Sie das Gerät bedienen auf Seite 39</i> .		X			
Prüfen Sie die Spannung des Antriebsriemens.		X		X	
Überprüfen Sie die Antriebskettenspannung des Antriebssystems.				X	
Reinigen Sie die Antriebskette des Antriebssystems.				X	
Führen Sie eine vollständige Wartung und Reinigung des Geräts durch.					O

So reinigen Sie das Gerät

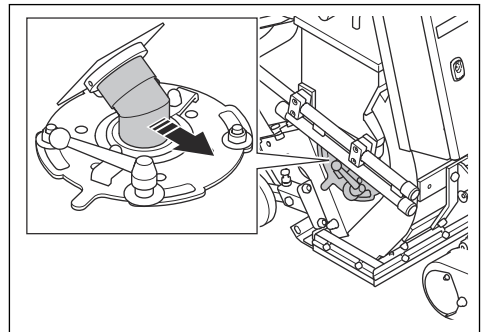
- Reinigen Sie immer die gesamte Ausstattung nach dem Gebrauch. Verwenden Sie einen Staubsauger.
- Reinigen Sie das Gerät nicht mit einem Hochdruckreiniger.
- Halten Sie die Luftöffnungen sauber und frei, um sicherzustellen, dass das Gerät immer eine ausreichend kühle Temperatur hat.

So reinigen Sie die Kette des Antriebssystems

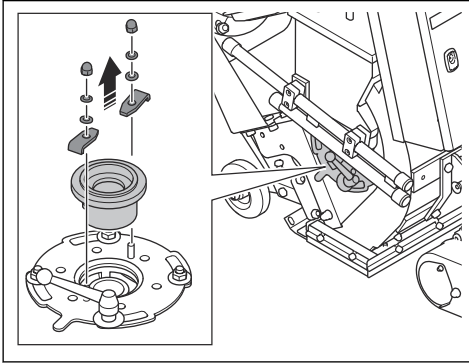
1. Entfernen Sie mit einer harten Bürste oder einer Drahtbürste Schmutz von der äußeren Oberfläche der Kette.
2. Reinigen Sie die Kette mit einem Reinigungsmittel.
3. Entfernen Sie Schmutz von den Innenteilen der Kette.

So entfernen und installieren Sie den Steuerkäfig

1. Entfernen Sie den Einfüllstutzen.



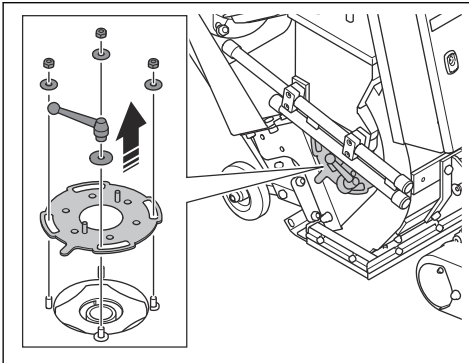
- Entfernen Sie die 2 Muttern, die 4 Unterlegscheiben, die 2 Käfigklemmen und den Steuerkäfig.



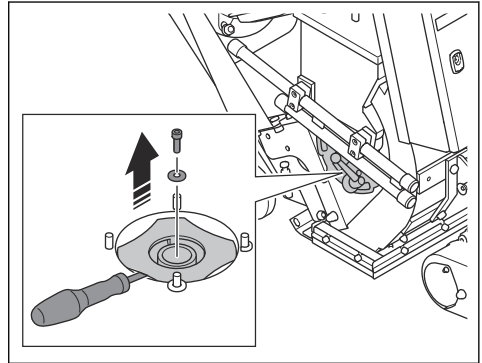
- Montieren Sie den Steuerkäfig in umgekehrter Reihenfolge.

So tauschen Sie das Schleuderrad aus

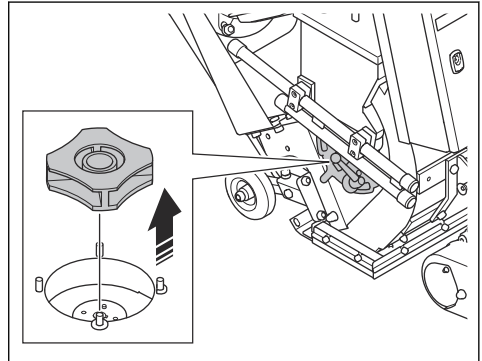
- Entfernen Sie die Einfüllstutzen und den Steuerkäfig. Siehe *So entfernen und installieren Sie den Steuerkäfig auf Seite 51*.
- Entfernen Sie die 3 Muttern, den Steuerkäfighebel, die 4 Unterlegscheiben und die Lastradabdeckung.



- Stecken Sie ein geeignetes Werkzeug in das Schleuderrad, damit es sich nicht mehr drehen kann. Entfernen Sie den Bolzen und entsorgen Sie ihn.



- Entfernen Sie das Schleuderrad.



- Installieren Sie das neue Schleuderrad in umgekehrter Reihenfolge.



ACHTUNG: Verwenden Sie immer einen neuen Bolzen, wenn Sie ein neues Schleuderrad installieren.

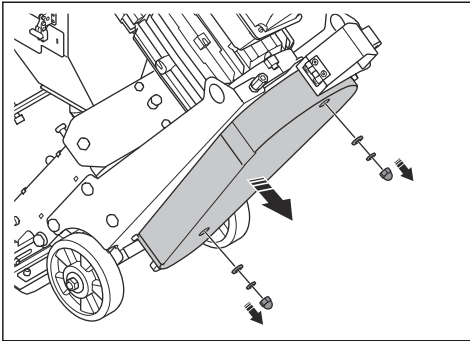
So kontrollieren Sie die Riemenspannung des Keilriemens



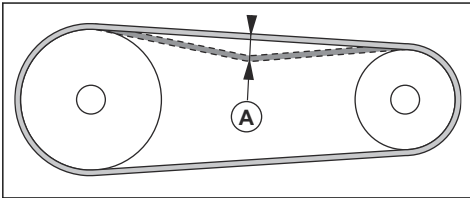
WARNUNG: Betreiben Sie das Gerät nicht ohne Keilriemenabdeckung.

- Stoppen Sie das Gerät. Siehe *So stoppen Sie das Gerät auf Seite 49*.

2. Entfernen Sie die Keilriemenabdeckung.



3. Überprüfen Sie die Keilriemen auf Beschädigung und Verschleiß. Ersetzen Sie die Keilriemen bei Bedarf.
4. Drücken Sie mit Ihrem Daumen auf die Keilriemen, um die Spannung zu prüfen. Wenn Sie die Keilriemen um 10–15 mm (A) eindrücken können, ist die Spannung korrekt.



5. Wenn die Keilriemenspannung nicht ausreicht, vergrößern Sie den Abstand zwischen Motor und Lager.
6. Montieren Sie die Keilriemenabdeckung.

So ersetzen Sie die Keilriemen



WARNUNG: Entfernen Sie die Keilriemenabdeckung nur, wenn die Stromversorgung unterbrochen ist und der Strahlmotor vollständig stillsteht.



WARNUNG: Betreiben Sie das Gerät nicht ohne Keilriemenabdeckung.

1. Entfernen Sie die Keilriemenabdeckung. Siehe *So kontrollieren Sie die Riemenspannung des Keilriemens auf Seite 52.*
2. Verringern Sie den Abstand zwischen Strahlmotor und Lager, um die Spannung der Keilriemen etwas zu lösen.
3. Entfernen Sie die alten Keilriemen und montieren Sie die neuen.

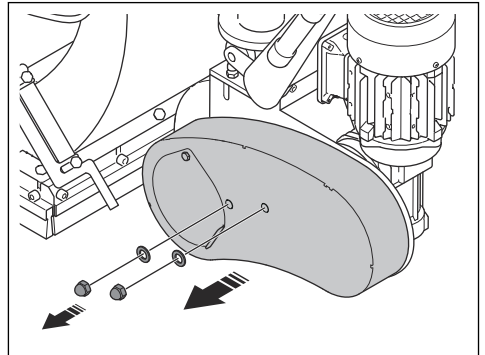
4. Vergrößern Sie den Abstand zwischen Strahlmotor und Lager, um die Keilriemen zu spannen. Siehe *So kontrollieren Sie die Riemenspannung des Keilriemens auf Seite 52.*
5. Bringen Sie die Keilriemenabdeckung an.

So überprüfen Sie die Kettenspannung des Antriebssystems

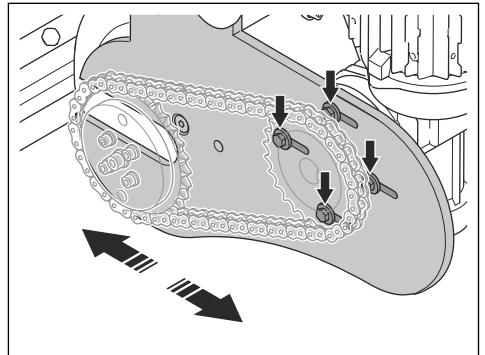


WARNUNG: Betreiben Sie das Gerät nicht ohne Kettenspannung.

1. Stoppen Sie das Gerät. Siehe *So stoppen Sie das Gerät auf Seite 49.*
2. Entfernen Sie die Kettenspannung.



3. Drücken Sie auf die Kette, um die Spannung zu prüfen. Wenn Sie die Kette um 5 mm eindrücken können, ist die Spannung korrekt.
4. Lösen Sie die Muttern.



5. Bewegen Sie das Kettenrad, um die Spannung einzustellen.
6. Muttern festziehen.
7. Installieren Sie die Kettenspannung.

Fehlersuche

Problem	Ursache	Lösung
Zu starke Vibrationen und/oder ungewöhnliche Geräusche.	Das Schleuderrad ist verschlissen oder beschädigt.	Ersetzen Sie die verschlissenen oder beschädigten Teile.
	Falsche Ausrichtung von Schleuderrad und Steuerkäfig.	Stellen Sie die Ausrichtung des Schleuderrads und des Steuerkäfigs ein.
	Es sind lose Schrauben und Muttern vorhanden.	Ziehen Sie alle Schrauben und Muttern fest.
	Falsche Spannung der Keilriemen.	Kontrollieren Sie die Riemenspannung des Keilriemens. Siehe <i>So kontrollieren Sie die Riemenspannung des Keilriemens auf Seite 52.</i>
	Der Motor ist beschädigt.	Ersetzen Sie den Motor. Wenden Sie sich an eine autorisierte Husqvarna Servicewerkstatt.
	Die Räder sind beschädigt.	Bringen Sie die Räder wieder an.
Verringerte oder keine Leistung.	Die Versorgung des Schleuderrades mit Strahlmittel ist nicht ausreichend.	Reinigen Sie den Auszug des Abscheiders und füllen Sie den Strahlmittel-Abscheider mit Strahlmittel.
		Überprüfen Sie den Einfüllstutzen und das Strahlventil.
	Der Strahlmitteltyp ist für die Oberfläche nicht geeignet.	Ersetzen Sie das Strahlmittel durch ein für die Oberfläche geeignetes Strahlmittel.
	Das Strahlmittel ist verschmutzt.	Prüfen Sie den Staubabsauger und den Staubabsaugerschlauch.
	Das Schleuderrad oder der Steuerkäfig ist verschlissen oder beschädigt.	Tauschen Sie das Schleuderrad und/oder den Steuerkäfig aus.
	Zu viel Strahlmittel trifft zu Beginn des Vorgangs auf die Oberfläche.	Schließen Sie das Strahlmittelventil und stoppen Sie das Gerät. Starten Sie den Vorgang erneut und öffnen Sie langsam das Strahlmittelventil.
Die Fahrgeschwindigkeit des Geräts ist zu hoch.	Verringern Sie die Fahrgeschwindigkeit.	
Das Gerät verliert Strahlmittel.	Die Magnetdichtungen befinden sich im falschen Abstand zur Oberfläche.	Stellen Sie die Höhe der Magnetdichtungen ein.
	Beschädigte Dichtungen.	Überprüfen Sie alle Dichtungen und ersetzen Sie sie bei Bedarf.
	Die Qualität des Strahlmittels ist nicht zufriedenstellend.	Ihr Händler steht Ihnen gern für weitere Informationen zur Verfügung.

Problem	Ursache	Lösung
Der Verschleiß ist an Teilen des Strahlmorgehäuses höher als üblich.	Falsches Strahlmittel.	Ihr Händler steht Ihnen gern für weitere Informationen zur Verfügung.
	Der Steuerkäfig ist nicht korrekt installiert.	Stellen Sie den Steuerkäfig so ein, dass ein besseres Strahlmuster erreicht wird.
	Der Staubabsauger liefert nicht genügend Saugleistung.	Überprüfen Sie den Staubabsaugerschlauch und den Staubabsauger.
Das Gerät bewegt sich nicht.	Die Fahrgeschwindigkeit ist zu niedrig.	Erhöhen Sie die Fahrgeschwindigkeit.
	Der Strahlkopf verhakt sich am Boden.	Höhe anpassen.
	Das Antriebssystem ist beschädigt oder nicht angeschlossen.	Aktivieren Sie das Antriebssystem. Überprüfen Sie die Antriebskette.
Der Motor startet nicht.	Eine Phase der Netzteils fehlt.	Das Netzteil überprüfen.
	Eine Phase des Netzteils ist nicht korrekt.	Stellen Sie die Phase ein.
	Die Not-Aus-Taste ist aktiviert.	Drehen Sie die Not-Aus-Taste im Uhrzeigersinn, um sie zu deaktivieren.
	Der Motorschutzschalter ist aktiviert.	Starten Sie das Gerät erneut. Das Netzteil überprüfen.
	Das Verlängerungskabel ist nicht angeschlossen oder beschädigt.	Das Verlängerungskabel anschließen oder ersetzen, falls erforderlich.
	Eine Komponente ist beschädigt.	Wenden Sie sich an eine autorisierte Husqvarna Servicewerkstatt.
Das Gerät stoppt nach kurzer Zeit.	Der Motorschutzschalter wird aufgrund von Überlastung ausgelöst.	Wenden Sie sich an eine autorisierte Husqvarna Servicewerkstatt.
	Der Motor hat einen Schaden.	Prüfen Sie den Motor.
	Eine Sicherung oder ein Fehlerstromschutzschalter ist aktiviert.	Wenden Sie sich an eine autorisierte Husqvarna Servicewerkstatt.
	Die Kabel sind beschädigt.	Überprüfen Sie die Kabel und ersetzen Sie sie bei Bedarf.
Das Antriebssystem funktioniert nicht ordnungsgemäß.	Das Antriebssystem ist nicht eingeschaltet.	Installieren Sie den Schnellverschlusspin.
	Die Sicherung oder der Motor des Antriebssystems ist beschädigt.	Wenden Sie sich an eine autorisierte Husqvarna Servicewerkstatt.
	Das Bedienfeld ist beschädigt.	Wenden Sie sich an eine autorisierte Husqvarna Servicewerkstatt.
	Das Potentiometer ist beschädigt.	Wenden Sie sich an eine autorisierte Husqvarna Servicewerkstatt.

Transport, Lagerung und Entsorgung

Transport

wenn es beim Transport umfällt oder sich bewegt.



WARNUNG: Seien Sie beim Transport vorsichtig. Das Gerät ist schwer und kann Verletzungen oder Schäden verursachen,



ACHTUNG: Ziehen Sie das Gerät nicht mit einem Fahrzeug.

- Stellen Sie vor dem Transport sicher, dass die Stromversorgung getrennt ist.
- Stellen Sie sicher, dass das Stromkabel und der Staubabsaugschlauch vor dem Transport getrennt sind.
- Entfernen Sie das Strahlmittel vor dem Transport.
- Bei kürzeren Strecken können Sie das Gerät mit den Rädern manuell bewegen. Bei längeren Strecken heben Sie das Gerät an, um es zu bewegen, oder platzieren Sie es auf einem Fahrzeug.
- Schützen Sie das Gerät während des Transports. Durch diesen Schutz werden Naturelemente wie Regen und Schnee vom Gerät ferngehalten.
- Aktivieren Sie das Antriebssystem während des Transports. Siehe *So aktivieren Sie das Antriebssystem auf Seite 40*.

So bewegen Sie das Gerät manuell



WARNUNG: Warten Sie, bis alle beweglichen Teile still stehen, bevor Sie das Gerät bewegen.



WARNUNG: Tragen Sie Schutzstiefel mit Stahlkappen und rutschfesten Sohlen.



WARNUNG: Bewegen Sie das Gerät nicht manuell Steigungen auf und ab, während das Antriebssystem deaktiviert ist. Bewegen Sie das Gerät nur auf ebenem Untergrund per Hand.

1. Deaktivieren Sie das Antriebssystem. Siehe *So aktivieren Sie das Antriebssystem auf Seite 40*.
2. Drücken Sie den Handgriff nach unten.
3. Schieben oder ziehen Sie das Gerät mit den Handgriffen.
4. Aktivieren Sie das Antriebssystem. Siehe *So aktivieren Sie das Antriebssystem auf Seite 40*. Bei ausgeschaltetem Motor hat dies die Funktion einer Feststellbremse und verhindert eine versehentliche Bewegung des Geräts.

So bewegen Sie das Gerät mit dem Antriebssystem



WARNUNG: Das Gerät ist schwer und kann Verletzungen verursachen, wenn es umfällt. Seien Sie vorsichtig, wenn Sie sich um das Gerät herum bewegen.



WARNUNG: Heben Sie das Gerät während des Betriebs nicht vom Boden ab.

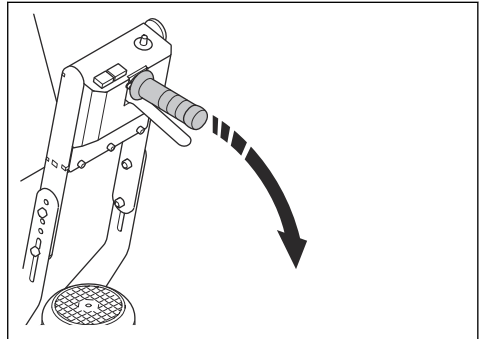


WARNUNG: Bewegen Sie das Gerät während des Betriebs nicht nach vorn.

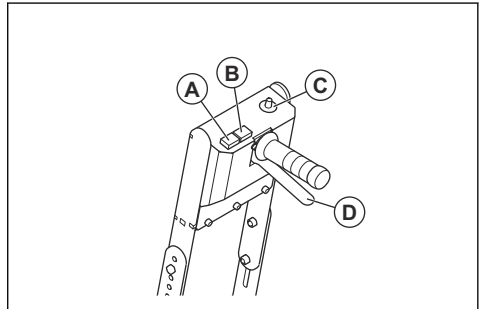


WARNUNG: Tragen Sie Schutzstiefel mit Stahlkappen und rutschfesten Sohlen.

1. Aktivieren Sie das Antriebssystem. Siehe *So aktivieren Sie das Antriebssystem auf Seite 40*.
2. Ziehen Sie den Griff nach unten, um das Gerät von der Oberfläche zu heben.



3. Stellen Sie die Bewegungsgeschwindigkeit mit dem Drehzahlregler (C) ein.



4. Drücken und halten Sie den Hebel des Antriebssystems (D), um das Gerät nach hinten zu bewegen.
5. Halten Sie die Overdrive-Taste (A) gedrückt, um sich mit maximaler Geschwindigkeit zu bewegen.
6. Halten Sie die Vorwärtstaste (B) gedrückt, um das Gerät vorwärts zu bewegen.

So bewegen Sie das Gerät eine Rampe hoch bzw. herunter



WARNUNG: Seien Sie besonders vorsichtig, wenn Sie das Gerät eine Rampe hoch- bzw. herunterbewegen. Das Gerät ist schwer und kann Verletzungen verursachen, wenn es umfällt oder zu schnell bewegt wird.



WARNUNG: Verwenden Sie bei Rampen mit steilem Gefälle immer eine Winde bzw. stehen Sie nicht unterhalb oder in der Nähe des Geräts.

- Um das Gerät eine Rampe herunter zu bewegen, fahren Sie es langsam vorwärts.
- Um das Gerät eine Rampe hinauf zu bewegen, fahren Sie es langsam rückwärts.
- Drehen Sie das Gerät nicht um mehr als 45° nach links oder rechts auf einer Rampe.

So heben Sie das Gerät an



WARNUNG: Stellen Sie sicher, dass die Hebevorrichtung den korrekten Spezifikationen entspricht, um das Gerät sicher anheben zu können. Auf dem Typenschild des Geräts ist das Gerätegewicht angegeben.

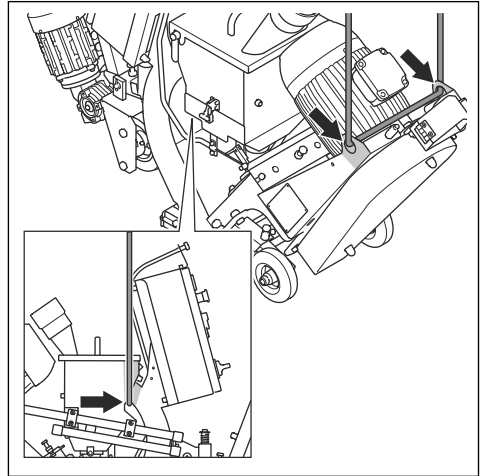


WARNUNG: Laufen bzw. stehen Sie nicht unterhalb oder in der Nähe eines hängenden Geräts. Halten Sie Unbeteiligte vom Arbeitsbereich fern.



WARNUNG: Heben Sie ein Gerät nicht an, wenn es beschädigt ist. Stellen Sie sicher, dass die Hebeöse richtig montiert und unbeschädigt ist.

1. Befestigen Sie die Hebeausrüstung an den Hebepunkten.



2. Heben Sie das Gerät sicher an. Halten Sie den Griff fest, bis das Gerät sich vom Boden hebt.

So befestigen Sie das Gerät auf einem Transportfahrzeug

Befestigen Sie das Gerät mit den Hebeösen am Transportfahrzeug.

1. Befestigen Sie die Zurrgurte in den Hebeösen.
2. Befestigen Sie die Zurrgurte am Transportfahrzeug und ziehen Sie sie fest.

Lagerung



ACHTUNG: Lagern Sie das Gerät nicht im Freien. Lagern Sie das Gerät immer in einem Gebäude.

- Bewahren Sie das Gerät in einem trockenen und frostfreien Raum auf.
- Reinigen Sie das Gerät und führen Sie umfassende Wartungsarbeiten durch, bevor Sie es längere Zeit einlagern.
- Bewahren Sie das Gerät in einem verschlossenen Bereich auf, um einen unerlaubten Zugriff durch Kinder oder andere Personen zu verhindern.
- Entfernen Sie Strahlmittel vom Strahlmittel-Abscheider.

So entsorgen Sie das Gerät

- Befolgen Sie die örtlichen Recyclinganforderungen und geltenden Vorschriften.
- Wenn Sie das Gerät nicht mehr benutzen, senden Sie es an einen Husqvarna-Händler oder entsorgen Sie es bei einer Recyclingstelle.

Technische Daten

	1-8DPS30 1x230V	1-8DPS30 3x400V	1-8DPS55
Nennleistung, W	3180	3370	5680
Nennspannung, V	230	400	
Nennfrequenz, Hz	50		
Nennstrom, A	13,4	6,95	11
Kabellänge, m	10		
Anschlusskabelart	3 x 2,5 mm ²	4 x 2,5 mm ²	
Arbeitsbreite, mm	203		
Fahrgeschwindigkeit, m/min	0-23		
Maximale Steigfähigkeit bei der Reinigung, Grad/%	10/18		
Geräteabmessungen (LxBxH), mm	1570x380x1050		1700x380x1050
Gewicht, kg	145		155
Betriebstemperatur, °C	-10-45		
Durchmesser Staubschlauchanschluss, mm	75		
Staubsauger	Weitere Informationen erhalten Sie von einer Husqvarna-Service-werkstatt.		

Hinweis: Wenn für Ihr Gerät nicht in der Tabelle aufgeführte elektrische Spezifikationen erforderlich sind,

wenden Sie sich an eine Husqvarna-Service-werkstatt für weitere Informationen.

Lärm- und Vibrationsemissionen

Geräuschemissionen	
Schalldruckpegel am Ohr des Bedieners, LP dB (A) ¹	76
Vibrationspegel	
Hauptgriff, m/s ² ²	0,5
¹ Schalldruckpegel gemessen gemäß EN ISO 11202. Gemessen auf Betonoberfläche. Unsicherheit KPA 2,5 dB ² Gewichtete effektive Beschleunigung, gemessen am Griff gemäß EN ISO 20643. Gemessen auf Betonoberfläche. Messunsicherheit K 0,5 m/s ²	

Zugelassenes Strahlmittel

	Strahl aus Stahl mit hohem Kohlenstoffgehalt			Kömung des Stahls mit hohem Kohlenstoffgehalt
Zugelassenes Strahlmittel	S-330	S-390	S-460*	SG25*
mm	1,0	1,2	1,4	1,0
*Spezialeinsätze				

Verlängerungskabel

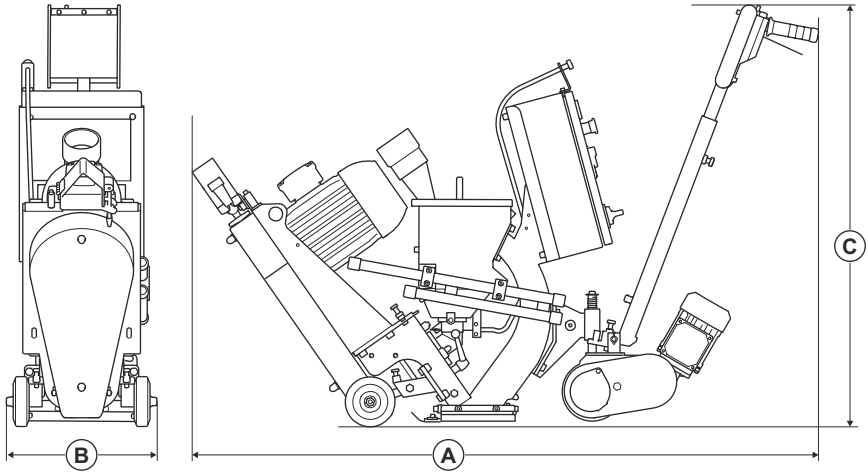
Kabellänge	Querschnitt			
	≤ 16 A	≤ 32 A	≤ 63 A	≤ 125 A
Berechnet bei einer Vorsicherung GG ¹ :	16 A	32 A	63 A	125 A
>20 m	1,5 mm ²	2,5 mm ²	10 mm ²	25 mm ²
20 m > 50 m	2,5 mm ²	4 mm ²	10 mm ²	25 mm ²
50 m > 75 m	4 mm ²	6 mm ²	16 mm ²	35 mm ²
¹ Die Querschnitte müssen neu berechnet werden, wenn andere Vorsicherungen verwendet werden als angegeben.				

Konformitätserklärung für Geräusche und Vibrationen

Diese erklärten Werte wurden in Laborversuchen in Übereinstimmung mit der aufgeführten Richtlinie oder Norm ermittelt und eignen sich für einen Vergleich mit Wertdeklarationen anderer Produkte, die nach der gleichen Richtlinie bzw. Norm geprüft wurden. Diese Wertdeklarationen eignen sich nicht

zur Verwendung in Risikobewertungen, zudem können die an einzelnen Arbeitsplätzen gemessenen Werte höher sein. Die tatsächlichen Belastungswerte und das Gefährdungsrisiko eines individuellen Benutzers sind immer spezifisch und davon abhängig, wie der Benutzer arbeitet, in welchem Material das Produkt eingesetzt wird, sowie von der Belastungszeit, dem Gesundheitszustand des Benutzers und dem Gerätezustand.

Gerätemaße



A	Länge, mm	1570
B	Breite, mm	380
D	Höhe, mm	1050

Konformitätserklärung

EU-Konformitätserklärung

Die Husqvarna AB, SE-561 82 Huskvarna, Schweden,
Tel.: +4636-146500, erklärt in alleiniger Verantwortung,
dass das Gerät:

Beschreibung	Kugelstrahlmaschine
Marke	Husqvarna
Typ/Modell	1-8DPS30, 1-8DPS55
Identifizierung	Seriennummern ab 2023

die folgenden EU-Richtlinien und -Verordnungen erfüllt:

Richtlinie/Verordnung	Beschreibung
2006/42/EG	„Maschinenrichtlinie“
2014/30/EU	„EMV-Richtlinie“

und dass die folgenden Normen und/oder technischen
Daten angewendet werden;

EN ISO 12100:2010

Partille, 2023-04-03



Martin Huber

R&D Director, Concrete Surfaces & Floors

Husqvarna AB, Construction Division

Verantwortlich für die technische Dokumentation



Sommaire

Introduction.....	62	Recherche de pannes.....	85
Sécurité.....	65	Transport, entreposage et mise au rebut.....	86
Utilisation.....	70	Caractéristiques techniques	89
Entretien.....	81	Déclaration de conformité.....	92

Introduction

Description du produit

Le produit est une grenailleuse à tirer fonctionnant avec des moteurs électriques. Le produit est équipé d'une roue de grenailage qui projette de l'abrasif métallique sur la surface à traiter. Le produit doit être raccordé à un aspirateur industriel approprié pendant son fonctionnement.

être utilisé sur des surfaces horizontales sèches et sans gel. Par exemple, le béton, l'asphalte, la pierre et l'acier.

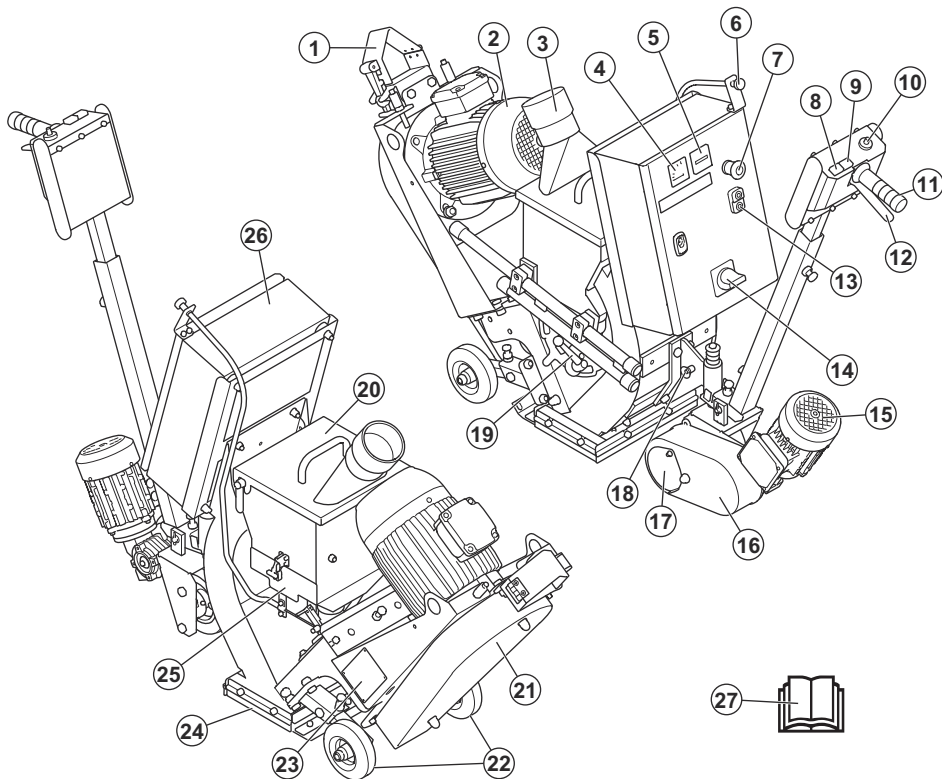
Le produit est conçu pour un usage commercial par des opérateurs professionnels.

N'utilisez pas ce produit pour d'autres travaux.

Utilisation prévue

Le produit permet d'enlever de fines couches de peinture, d'enduit et de contaminants. Le produit peut

Aperçu du produit



1. Collier pour tuyau à poussière et câble électrique
2. Moteur de grenailage
3. Raccord de l'aspirateur industriel
4. Ampèremètre pour moteur de grenailage
5. Compteur horaire
6. Câble de contrôle des matériaux abrasifs
7. Bouton d'arrêt d'urgence
8. Bouton d'overdrive
9. Bouton de déplacement vers l'avant
10. Bouton de commande de vitesse
11. Poignée de direction
12. Levier du système d'entraînement
13. Bouton ON/OFF du moteur de grenailage
14. Interrupteur de marche/arrêt
15. Moteur du système d'entraînement
16. Couvercle du système d'entraînement
17. Protection de chaîne
18. Goupille à déclenchement rapide
19. Levier de réglage de la cage de contrôle

20. Couvercle du séparateur
21. Carter de courroie trapézoïdale
22. Roues
23. Plaque signalétique
24. Tête de grenailage avec joints
25. Bac de séparation
26. Boîtier électrique
27. Manuel d'utilisation

Symboles concernant le produit



Avertissement : ce produit peut être dangereux et causer des blessures graves, voire mortelles, à l'opérateur ou à d'autres personnes. Soyez prudent et utilisez le produit correctement.



Haute tension.



Maintenez toutes les parties de votre corps à distance des surfaces chaudes.



Point de levage.



Éloignez vos mains des pièces rotatives.



Lisez avec attention le manuel d'utilisation et assurez-vous de bien comprendre les instructions avant d'utiliser ce produit.



Portez une protection respiratoire homologuée.



Utilisez des protège-oreilles homologués.



Utilisez des protections pour les yeux homologuées.



Utilisez des gants de protection homologués.



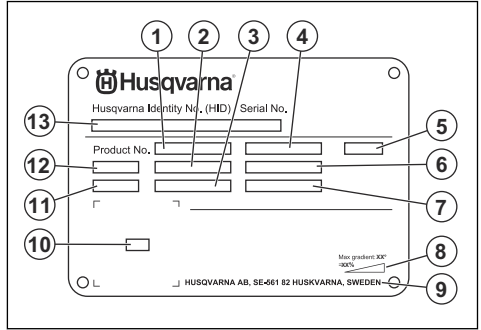
Utilisez des bottes de protection homologuées.



Ce produit est conforme aux directives de l'UE en vigueur.

Remarque: les autres symboles/autocollants présents sur le produit concernent des exigences de certification spécifiques à certains marchés.

Plaque signalétique



1. Référence de produit
2. Poids du produit
3. Puissance nominale
4. Tension nominale
5. Boîtier
6. Intensité nominale
7. Fréquence
8. Angle de pente maximal
9. fabricant
10. QR code
11. Année de production
12. Modèle
13. Numéro de série

Responsabilité

Conformément à la loi sur la responsabilité du fait des produits, nous déclinons toute responsabilité pour tout dommage causé par notre produit si :

- le produit n'est pas correctement réparé ;
- le produit est réparé avec des pièces qui ne proviennent pas du fabricant ou qui ne sont pas homologuées par le fabricant ;
- le produit est équipé d'un accessoire qui ne provient pas du fabricant ou qui n'est pas homologué par le fabricant ;
- le produit n'est pas réparé par un centre d'entretien agréé ou par une autorité homologuée.

Sécurité

Définitions de sécurité

Des avertissements, des recommandations et des remarques sont utilisés pour souligner des parties spécialement importantes du manuel.



AVERTISSEMENT: Symbole utilisé en cas de risque de blessures ou de mort pour l'opérateur ou les personnes à proximité si les instructions du manuel ne sont pas respectées.



REMARQUE: Symbole utilisé en cas de risque de dommages pour le produit, d'autres matériaux ou les environs si les instructions du manuel ne sont pas respectées.

Remarque: Symbole utilisé pour donner des informations supplémentaires pour une situation donnée.

Instructions générales de sécurité



AVERTISSEMENT: lisez les instructions qui suivent avant d'utiliser le produit.

- Ce produit est un outil dangereux si vous ne faites pas attention ou si vous l'utilisez de manière incorrecte. Ce produit peut causer des blessures graves, voire mortelles, à l'opérateur ou à d'autres personnes. Avant d'utiliser le produit, il convient de lire attentivement et de bien comprendre les instructions contenues dans ce manuel de l'opérateur.
- Ce produit n'est pas destiné à être utilisé par des personnes (ou des enfants) aux capacités physiques, sensorielles ou mentales limitées ou manquant d'expérience et de connaissances.
- Conservez tous les avertissements de sécurité et toutes les instructions.
- Respectez l'ensemble des lois et réglementations applicables.
- L'opérateur et son employeur doivent connaître et éviter tout risque au cours de l'utilisation du produit.
- Ne laissez personne utiliser le produit avant d'avoir lu et compris le contenu du manuel de l'opérateur.
- N'utilisez pas le produit sauf si vous bénéficiez d'une formation préalable. Assurez-vous que tous les opérateurs suivent une formation.
- Ne laissez pas un enfant utiliser le produit.
- Seules les personnes autorisées peuvent utiliser le produit.

- L'utilisateur est tenu responsable des accidents auxquels il expose autrui ou ses biens.
- N'utilisez jamais l'appareil si vous êtes fatigué ou malade, ou si vous êtes sous l'emprise d'alcool, de drogues ou de médicaments.
- Soyez toujours prudent et utilisez votre bon sens.
- Maintenez le produit propre. Assurez-vous que vous pouvez lire clairement les avertissements et les autocollants.
- N'utilisez pas le produit s'il est endommagé ou s'il ne fonctionne pas correctement.
- Ne modifiez pas le produit.
- N'utilisez pas le produit s'il est susceptible d'avoir été modifié par d'autres personnes.

Instructions de sécurité pour le fonctionnement



AVERTISSEMENT: lisez les instructions qui suivent avant d'utiliser le produit.

- Utilisez un équipement de protection individuel. Reportez-vous à *Équipement de protection individuel à la page 67*.
- Une exposition excessive aux vibrations peut entraîner des troubles circulatoires ou nerveux chez les personnes sujettes à des troubles cardiovasculaires. Consultez un médecin en cas de symptômes liés à une exposition excessive aux vibrations. Ces symptômes peuvent être les suivants : insensibilisation ou irritation locale, douleur, chatouillements, faiblesse musculaire, décoloration ou modification cutanée. Ces symptômes affectent généralement les doigts, les mains ou les poignets.
- N'utilisez pas le produit sans les caches de protection.
- Assurez-vous de savoir comment couper le moteur rapidement en cas d'urgence.
- avant de vous éloigner du produit, coupez le moteur et débranchez le cordon d'alimentation. Assurez-vous qu'il n'y a aucun risque de démarrage accidentel.
- Assurez-vous que des vêtements, cheveux longs et bijoux ne peuvent pas se coincer dans les pièces en mouvement
- Veillez à vous tenir dans une position stable et sûre pendant l'utilisation du produit.
- Vérifiez l'absence de vis ou d'écrous desserrés.
- Évitez de soulever ou d'incliner la tête de grenailage pendant le fonctionnement. Les matériaux abrasifs sont expulsés du produit à grande vitesse et peuvent provoquer des blessures. Débranchez toujours la

fiche d'alimentation avant de soulever ou d'incliner le produit.

- Assurez-vous que le séparateur et le bac de séparation sont fermés pendant le fonctionnement.
- N'utilisez pas le produit si vous ne pouvez pas être secouru en cas d'accident.
- Utilisez uniquement des accessoires homologués. Pour plus d'informations, contactez votre revendeur Husqvarna.
- Si des vibrations se produisent dans le produit ou si le niveau sonore du produit est anormalement élevé, arrêtez immédiatement le produit. Débranchez la fiche d'alimentation électrique. Vérifiez que le produit n'est pas endommagé. Réparez les éventuels dommages ou demandez à un atelier spécialisé agréé de procéder aux réparations.
- Branchez toujours le produit sur un aspirateur industriel pour éliminer la poussière.
- Ne tirez pas sur le tuyau de l'aspirateur industriel. Le produit peut tomber et causer des blessures et dommages.
- Laissez l'aspirateur industriel en marche jusqu'à l'arrêt complet du moteur.
- Utilisez le produit uniquement en vous plaçant à l'arrière, avec les mains sur la poignée.
- Vérifiez l'absence d'huile ou de graisse sur les poignées.
- Vérifiez que les joints de l'ensemble de brosses ne sont pas endommagés.
- Vérifiez que les joints de l'ensemble de brosses sont posés à la bonne hauteur.
- Utilisez uniquement des produits abrasifs homologués. Pour plus d'informations, contactez votre revendeur Husqvarna. Reportez-vous à *Matériaux abrasifs approuvés à la page 90*.
- Assurez-vous que le sens de rotation du moteur de grenailage est correct. Le sens de rotation correct est indiqué par une flèche sur le carter moteur.

Précautions relatives aux vibrations



AVERTISSEMENT: lisez les instructions qui suivent avant d'utiliser le produit.

- Au cours de l'utilisation du produit, des vibrations sont ressenties entre le produit et l'opérateur. Un fonctionnement régulier et fréquent du produit peut blesser ou augmenter le risque de blessures graves chez l'opérateur. Des blessures peuvent se produire au niveau des doigts, des mains, des poignets, des bras, des épaules, et/ou des nerfs et des organes d'irrigation sanguine, ou d'autres parties du corps. Les blessures peuvent être invalidantes et/ou permanentes et peuvent augmenter progressivement pendant des semaines, des mois ou des années. Des dommages peuvent également être provoqués au niveau du système

de circulation sanguine, du système nerveux, des articulations et d'autres parties du corps.

- Des symptômes peuvent se produire pendant le fonctionnement du produit ou à un autre moment. Si vous avez des symptômes et que vous continuez d'utiliser le produit, ceux-ci peuvent augmenter ou devenir permanents. Si l'un de ces symptômes ou d'autres symptômes se produisent, consultez un médecin :
 - engourdissement, perte de sensibilité, fourmillements, picotements, douleur, brûlure, palpitations, raideur, maladresse, faiblesse musculaire, changement de pigmentation de la peau ou de l'état physique.
- Les symptômes peuvent augmenter par temps froid. Utilisez des vêtements chauds et gardez les mains au chaud et au sec lorsque vous faites fonctionner le produit dans un environnement froid.
- Procédez à l'entretien et utilisez le produit comme indiqué dans le manuel d'utilisation afin de maintenir un bon niveau de vibrations.
- Le produit est doté d'un système anti-vibrations qui réduit les vibrations entre les poignées et l'opérateur. Laissez le produit faire le travail.
- Gardez uniquement les mains sur la ou les poignées. Éloignez toutes les autres parties du corps du produit.
- Arrêtez le produit immédiatement si de fortes vibrations se produisent soudainement. Ne poursuivez pas l'opération avant que la cause de l'augmentation des vibrations ait été corrigée.

Sécurité antipoussière



AVERTISSEMENT: lisez les instructions qui suivent avant d'utiliser le produit.

- Le fonctionnement du produit peut générer de la poussière dans l'air. La poussière peut provoquer des blessures graves et des problèmes de santé irréversibles. Plusieurs organismes classent la poussière de silice parmi les poussières dangereuses. Voici quelques exemples de problèmes de santé pouvant être causés :
 - Maladies pulmonaires mortelles telles que la bronchite chronique, la silicose et la fibrose pulmonaire
 - Cancer
 - Anomalies congénitales
 - Inflammation de la peau.
- Utilisez un équipement adapté permettant de réduire la quantité de poussière et de fumées dans l'air et de diminuer la poussière présente sur les équipements de travail, les surfaces, les vêtements et les parties du corps. Par exemple, des systèmes de collecte de la poussière. Réduisez la quantité de poussière au niveau de la source, dans la mesure du possible. Assurez-vous que l'équipement est correctement

installé et utilisé, et qu'un entretien régulier est effectué.

- Portez une protection respiratoire homologuée. Assurez-vous que la protection respiratoire est adaptée aux matériaux dangereux dans la zone de travail.
- Assurez-vous que la zone de travail est suffisamment aérée.

Sécurité relative au bruit



AVERTISSEMENT: Lisez les instructions qui suivent avant d'utiliser le produit.

- Des niveaux sonores élevés et une exposition prolongée au bruit peuvent provoquer une perte auditive.
- Afin de maintenir le niveau sonore au minimum, effectuez l'entretien et utilisez le produit comme indiqué dans le manuel d'utilisation.
- Utilisez des protège-oreilles homologués pendant l'utilisation du produit.
- Soyez attentif aux signaux d'alerte et aux appels lorsque vous portez des protège-oreilles. Retirez les protège-oreilles lorsque le produit est arrêté, sauf si les protège-oreilles sont nécessaires en raison du niveau sonore dans la zone de travail.

Équipement de protection individuel



AVERTISSEMENT: lisez les instructions qui suivent avant d'utiliser le produit.

- Portez toujours un équipement de protection individuel homologué lorsque vous utilisez le produit. L'équipement de protection individuel ne protège pas complètement des blessures, mais il diminue la gravité des blessures en cas d'accident. Faites appel à votre revendeur pour vous aider à sélectionner l'équipement de protection individuel adéquat et vous indiquer quand l'utiliser.
- Vérifiez régulièrement l'état de votre équipement de protection individuel.
- Utilisez des protège-oreilles homologués.
- Portez une protection respiratoire homologuée.
- Utilisez des protections pour les yeux homologuées avec protections latérales.
- Utilisez des gants de protection.
- Utilisez des bottes avec coquille en acier et semelles antidérapantes.
- Utilisez des vêtements de travail homologués ou des vêtements près du corps équivalents dotés de manches longues et d'un pantalon.

Extincteur

- Gardez un extincteur à proximité lors de l'utilisation du produit.

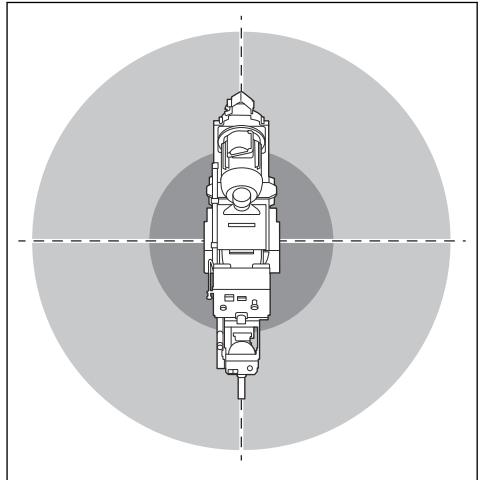
- Utilisez un extincteur à poudre ou un extincteur à gaz carbonique.

Sécurité dans la zone de travail



AVERTISSEMENT: lisez les instructions qui suivent avant d'utiliser le produit.

- Il incombe à l'utilisateur d'analyser la surface à traiter. L'utilisateur doit effectuer une évaluation des risques sur la base des informations obtenues sur la surface à traiter et prendre les précautions appropriées pour le travail à effectuer.
- N'utilisez pas le produit en cas de brouillard, pluie, vents violents, risque de foudre ou autres conditions climatiques.
- Identifiez les éventuels personnes, objets et situations susceptibles de nuire à la sécurité du fonctionnement du produit.
- N'utilisez pas ce produit dans des zones présentant un risque d'incendie ou d'explosion. Le produit provoque des étincelles, et les matériaux inflammables peuvent s'enflammer en présence de poussière ou de fumées.
- Éloignez les animaux, les enfants et toute personne à l'écart de la zone de travail et à une distance de sécurité du produit. La distance de sécurité est de 5 m.



- Assurez-vous d'éloigner les personnes et les animaux de la zone de travail, et de les maintenir à une distance de sécurité du produit.
- Assurez-vous que seules les personnes autorisées se trouvent dans la zone de travail.
- Veillez à ce que la zone de travail reste propre et totalement éclairée. Les espaces encombrés ou sombres exposent à des accidents.

- Retirez les objets tels que les vis, les boulons, les câbles et les pierres de la zone de travail avant d'utiliser le produit.
- Assurez-vous qu'aucun câble ou tuyau n'est présent dans le sens de marche du produit.
- Assurez-vous que les surfaces irrégulières, telles que les joints soudés ou les joints au sol, n'arrêtent pas le produit.
- Assurez-vous qu'il y ait une circulation d'air suffisante dans la zone de travail.

Sécurité électrique



AVERTISSEMENT: les produits électriques présentent toujours un risque d'électrocution. N'utilisez pas le produit dans de mauvaises conditions météorologiques. Ne touchez pas de paratonnerres ni d'objets métalliques. Utilisez toujours le produit comme indiqué dans ce manuel d'utilisation pour éviter les blessures.



AVERTISSEMENT: utilisez toujours une alimentation électrique avec RCD (disjoncteur différentiel de fuite à la terre). L'utilisation d'un RCD permet de réduire le risque de choc électrique.



AVERTISSEMENT: Haute tension. Il y a des pièces non protégées dans l'unité électrique. Débranchez toujours le produit de la fiche d'alimentation avant d'ouvrir la porte du boîtier électrique.



REMARQUE: l'alimentation électrique du produit ou du générateur doit être suffisamment puissante et constante pour que le moteur puisse fonctionner sans problème. Une tension incorrecte provoque l'augmentation de la consommation d'énergie et de la température du moteur jusqu'au déclenchement du circuit de sécurité. Les dimensions du cordon d'alimentation doivent être conformes aux réglementations nationales et locales. Les dimensions de la prise de courant murale doivent être conformes à l'ampérage de la prise électrique et du câble de rallonge du produit.

Si la résistance du secteur est plus élevée, de brèves chutes de tension peuvent se produire au démarrage du produit. Cela peut affecter le fonctionnement d'autres produits ; les lampes peuvent par exemple vaciller.

- La fiche d'alimentation doit être adaptée à la prise. N'apportez jamais de modifications à la fiche. N'utilisez pas de fiches d'adaptation avec

des outils mis à la terre (masse). Des fiches non modifiées et des prises compatibles réduiront le risque d'électrocution.

- Évitez tout contact physique avec les surfaces mises à la terre telles que les tuyaux, les radiateurs, les cuisinières et les réfrigérateurs. Le risque d'électrocution est plus important si le corps est relié à la terre.
- Assurez-vous que la tension d'alimentation, des fusibles et du secteur est identique à celle indiquée sur la plaque signalétique du produit.
- Arrêtez toujours le produit avant de débrancher la fiche d'alimentation.
- Assurez-vous que l'interrupteur Marche/Arrêt est en position d'arrêt avant de brancher le produit sur l'alimentation électrique.
- Débranchez toujours la fiche d'alimentation en cas d'arrêt prolongé du produit.
- N'utilisez pas le produit si le cordon d'alimentation ou la fiche d'alimentation sont endommagés. Si le cordon d'alimentation est endommagé, il doit être remplacé par le fabricant, son atelier spécialisé ou toute autre personne habilitée, afin d'éviter tout danger. Un cordon d'alimentation endommagé peut provoquer des blessures graves, voire mortelles.
- Utilisez le cordon d'alimentation correctement. N'utilisez pas le cordon d'alimentation pour déplacer, tirer ou débrancher le produit. Tirez sur la fiche d'alimentation pour débrancher le câble d'alimentation. Ne tirez pas le cordon d'alimentation.
- Utilisez uniquement le produit sur des surfaces sèches.
- Tenez le produit à l'abri de la pluie. L'eau qui s'infiltré dans le produit augmente le risque d'électrocution.
- Débranchez toujours de cordon d'alimentation avant de brancher ou débrancher la connexion du câble du moteur et du boîtier électrique.
- Afin d'éviter tout danger dû à une réinitialisation accidentelle du disjoncteur thermique, cet appareil ne doit pas être alimenté par un dispositif de commutation externe, tel qu'une minuterie, ou connecté à un circuit régulièrement mis sous et hors tension par le fournisseur d'électricité.
- Assurez-vous que l'alimentation électrique du produit est fournie par des unités d'alimentation électrique distinctes qui sont utilisées à des fins industrielles uniquement.

Instructions pour produit mis à la terre



AVERTISSEMENT: un mauvais branchement peut provoquer un choc électrique. Consultez un électricien agréé si vous n'êtes pas certain que votre prise secteur soit correctement mise à la terre.

Ne modifiez pas la prise de courant par rapport à ses spécifications d'usine. Si la fiche ou le cordon d'alimentation est endommagé ou doit être

remplacé, contactez votre atelier spécialisé Husqvarna. Respectez la législation et les réglementations locales.

Si vous n'avez pas bien compris les instructions de mise à la terre du produit, consultez un électricien homologué.

Utilisez uniquement des rallonges extérieures mises à la terre avec des fiches de mise à la terre et une prise de mise à la terre acceptant la fiche d'alimentation du produit.

Le produit est équipé d'un cordon d'alimentation de mise à la terre et d'une prise de courant. Branchez systématiquement le produit sur une prise secteur mise à la terre. Cela réduit le risque de choc électrique.

N'utilisez pas d'adaptateurs électriques avec le produit.

Rallonges

- Utilisez uniquement des rallonges homologuées avec des propriétés adéquates.
- La valeur nominale sur la rallonge doit être identique ou supérieure à celle indiquée sur la plaque signalétique du produit.
- Utilisez des rallonges mises à la terre.
- Lorsque vous utilisez l'outil à l'extérieur, utilisez une rallonge adaptée à un usage extérieur. Cela réduit le risque de choc électrique.
- Maintenez la connexion de la rallonge au sec et au-dessus du sol.
- Maintenez la rallonge à l'écart de la chaleur, d'huile, des bords tranchants ou des pièces mobiles. Un câble endommagé augmente le risque de choc électrique.
- Assurez-vous que la rallonge est en bon état et non endommagée.
- N'utilisez pas la rallonge lorsqu'elle est enroulée. Cela peut entraîner une surchauffe de la rallonge.
- Assurez-vous que la rallonge se trouve en dehors du passage et du produit pendant le fonctionnement. Cela empêche toute dégradation de la rallonge.

Dispositifs de sécurité sur le produit



AVERTISSEMENT: lisez les instructions qui suivent avant d'utiliser le produit.

- N'utilisez pas le produit si les dispositifs de sécurité ne sont pas en parfait état de marche.
- Contrôlez les dispositifs de sécurité quotidiennement. Si vos dispositifs de sécurité ne sont pas en parfait état de marche ou s'ils sont endommagés, contactez votre atelier Husqvarna spécialisé.
- N'apportez pas de modifications aux dispositifs de sécurité

Bouton d'arrêt d'urgence

Le bouton d'arrêt d'urgence permet d'arrêter rapidement le moteur.

Contrôle du bouton d'arrêt d'urgence

Reportez-vous à la section *Aperçu du produit à la page 63* pour connaître l'emplacement du bouton d'arrêt d'urgence sur votre produit.

1. Tournez le bouton d'arrêt d'urgence dans le sens des aiguilles d'une montre pour vous assurer qu'il est désengagé.
2. Faites démarrer le produit. Reportez-vous à la section *Pour démarrer le produit à la page 77*.
3. Appuyez sur le bouton d'arrêt d'urgence.
4. Assurez-vous que le moteur s'arrête.
5. Tournez le bouton d'arrêt d'urgence dans le sens des aiguilles d'une montre pour le désengager.

Ampèremètre

L'ampèremètre indique la charge de grenaille sur la surface. L'intensité maximale est indiquée au-dessus de l'ampèremètre.

Contrôle de l'ampèremètre

Reportez-vous à *Aperçu du produit à la page 63* pour plus d'informations sur l'emplacement de l'ampèremètre sur votre produit.

1. Faites démarrer le produit. Reportez-vous à *Pour démarrer le produit à la page 77*.
2. Attendez que l'ampèremètre soit en position de ralenti.
3. Arrêtez le produit. Reportez-vous à *Pour arrêter le produit à la page 80*.

Boutons ON/OFF du moteur de grenailage

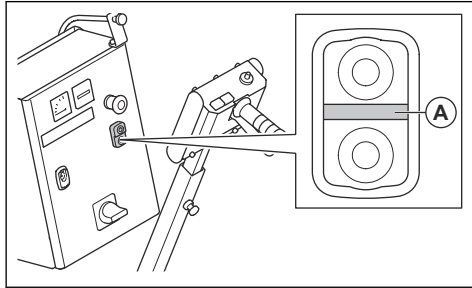
Les boutons ON/OFF du moteur de grenailage permettent de démarrer et d'arrêter le moteur de grenailage. Reportez-vous à *Contrôle des boutons ON/OFF du moteur de grenailage à la page 69*.

Contrôle des boutons ON/OFF du moteur de grenailage

Reportez-vous à *Aperçu du produit à la page 63* pour connaître l'emplacement des boutons ON/OFF sur votre produit.

1. Tournez le bouton d'arrêt d'urgence dans le sens des aiguilles d'une montre pour vous assurer qu'il est désengagé.
2. Faites démarrer le produit. Reportez-vous à *Pour démarrer le produit à la page 77*.
3. Appuyez sur le bouton ON du moteur de grenailage.

- Assurez-vous que le moteur démarre et que le voyant (A) s'allume.



- Arrêtez le moteur. Reportez-vous à *Pour arrêter le produit à la page 80*.
- Assurez-vous que le moteur s'arrête lorsque vous appuyez sur le bouton OFF.

Interrupteur de marche/arrêt

L'interrupteur Marche/Arrêt permet d'activer ou de couper l'alimentation électrique du produit.

Pour contrôler l'interrupteur Marche/Arrêt

Reportez-vous à *Aperçu du produit à la page 63* pour connaître l'emplacement de l'interrupteur Marche/Arrêt sur votre produit.

- Tournez le bouton d'arrêt d'urgence dans le sens des aiguilles d'une montre pour vous assurer qu'il est désengagé.
- Placez l'interrupteur Marche/Arrêt en position de marche.
- Assurez-vous que le produit est sous tension.
- Placez l'interrupteur Marche/Arrêt en position d'arrêt.
- Assurez-vous que le produit est hors tension.

Instructions de sécurité pour l'entretien



AVERTISSEMENT: lisez les instructions qui suivent avant d'utiliser le produit.

- Effectuez uniquement les tâches d'entretien décrites dans le présent manuel d'utilisation. Laissez un atelier spécialisé agréé se charger de toutes les autres opérations d'entretien.
- Si l'entretien n'est pas effectué correctement et régulièrement, le risque de blessures et d'endommagement du produit augmente.
- Nettoyez le produit afin de retirer tout matériau dangereux avant de faire l'entretien.
- Effectuez l'entretien du produit sur un sol de niveau et stable. Assurez-vous que le produit ne peut pas bouger.
- Ne modifiez pas le produit. Les modifications apportées au produit qui ne sont pas approuvées par le fabricant peuvent causer des blessures graves, voire mortelles.
- Remplacez les pièces endommagées, usées ou cassées.
- N'utilisez pas de nettoyeur haute pression pour nettoyer le produit.
- Utilisez uniquement des chiffons non pelucheux.
- Utilisez toujours les accessoires et les pièces de rechange d'origine. Les accessoires et les pièces de rechange qui ne sont pas approuvés par le fabricant peuvent causer des blessures graves, voire mortelles.
- Après l'entretien, contrôlez le niveau de vibrations dans le produit. S'il n'est pas correct, contactez un atelier spécialisé agréé.
- Demandez à un atelier spécialisé d'effectuer régulièrement l'entretien du produit.

Utilisation

Introduction



AVERTISSEMENT: Avant d'utiliser le produit, vous devez lire et comprendre le chapitre sur la sécurité.

À faire avant d'utiliser le produit

- Lisez attentivement le manuel d'utilisation et assurez-vous de bien comprendre les instructions.
- Lisez attentivement la section du manuel d'utilisation correspondant à l'aspirateur industriel et assurez-vous de bien comprendre les instructions.
- Si le produit est utilisé avec une source d'alimentation, assurez-vous de lire et de comprendre le manuel d'utilisation de cette source d'alimentation.

- Utilisez un équipement de protection individuel. Reportez-vous à *Équipement de protection individuel à la page 67*.
- Assurez-vous que seules les personnes autorisées se trouvent dans la zone de travail.
- Effectuez l'entretien quotidien. Reportez-vous à *Calendrier d'entretien à la page 81*.
- Assurez-vous que le produit est correctement monté et qu'il n'est pas endommagé.
- Vérifiez que tous les boulons, vis et écrous sont serrés.
- Assurez-vous que la roue de grenailage, la goulotte d'alimentation, les chemises et les joints ne sont pas endommagés ou usés. Remplacez les pièces lorsque 75 % de l'épaisseur du disque est usée.

10. Assurez-vous que le séparateur n'est pas endommagé.
11. Assurez-vous que le séparateur est rempli de matériaux abrasifs jusqu'au niveau du bac de séparation.
12. Placez le produit sur la zone de travail. Assurez-vous que la surface est de niveau. Assurez-vous que le transport du produit vers et dans la zone de travail est effectué correctement et en toute sécurité. Reportez-vous à *Transport, entreposage et mise au rebut à la page 86*.
13. Branchez un aspirateur industriel sur le produit. Reportez-vous à *Branchement d'un aspirateur industriel à la page 75*.
14. Assurez-vous que l'interrupteur Marche/Arrêt est en position d'arrêt avant de brancher le produit à une alimentation électrique.
15. Branchez le produit à une source d'alimentation. Reportez-vous à *Branchement du produit à une source d'alimentation à la page 76*.
16. Vérifiez que les joints de l'ensemble de brosses sont à la bonne hauteur. Reportez-vous à *Réglage de la hauteur des joints d'ensemble de brosses à la page 74*.
17. Vérifiez que les joints magnétiques sont à la bonne hauteur. Reportez-vous à *Réglage de la hauteur des joints magnétiques à la page 74*.

Système d'entraînement

Le système d'entraînement est utilisé pendant le fonctionnement et permet de déplacer le produit avec la roue motrice. Reportez-vous à *Déplacement du produit avec le système d'entraînement à la page 87*.

Engagez toujours le système d'entraînement pendant le fonctionnement.

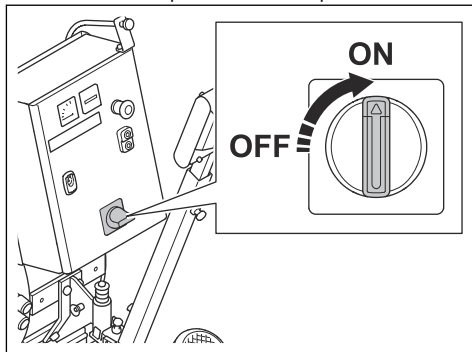
Engagement du système d'entraînement



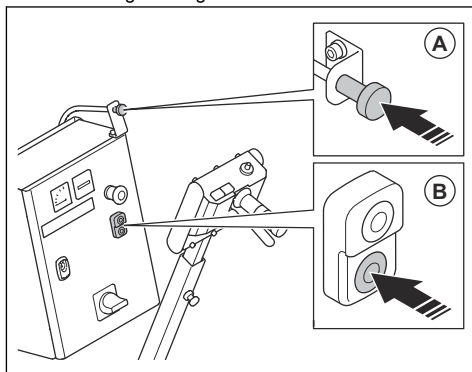
AVERTISSEMENT: éloignez vos mains des pièces rotatives. Faites très attention lors de la fixation de la goupille à déclenchement rapide.

Posez la goupille à déclenchement rapide pour engager le système d'entraînement. La goupille à déclenchement rapide se trouve au-dessus de la roue motrice. Reportez-vous à *Aperçu du produit à la page 63*.

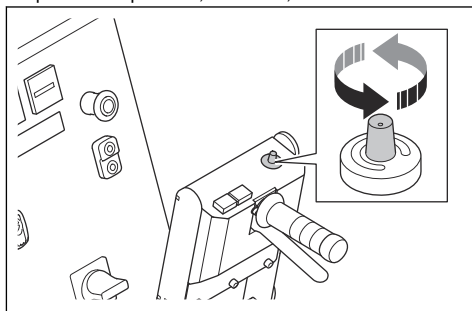
1. Tournez l'interrupteur ON/OFF en position ON.



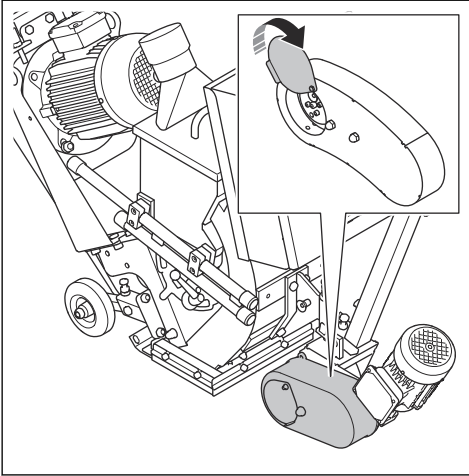
2. Poussez le câble de contrôle des matériaux abrasifs (A) pour fermer la vanne de matériaux abrasifs. Appuyez sur le bouton OFF (B) pour arrêter le moteur de grenailage.



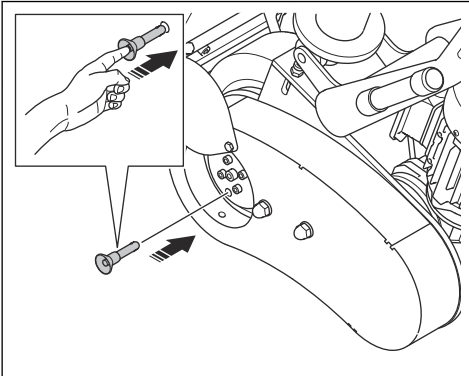
3. Réglez la vitesse de déplacement sur la vitesse la plus basse possible, environ 0,5.



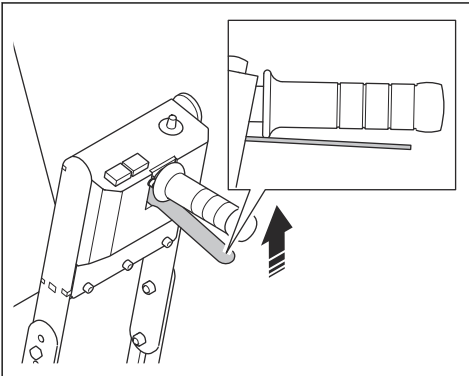
4. Ouvrez le couvercle de la chaîne d'entraînement.



5. Posez la goupille à déclenchement rapide. Poussez la goupille à déclenchement rapide et maintenez-la avec un doigt.

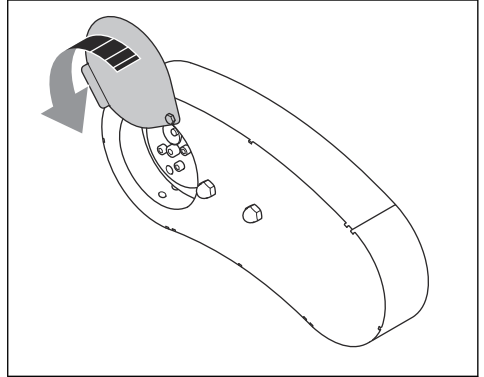


6. Utilisez l'autre main pour actionner le levier du système d'entraînement.



La goupille à déclenchement rapide se fixe en place lorsque le système d'entraînement est engagé.

7. Fermez le couvercle de la chaîne d'entraînement.



8. Pour désengager le système d'entraînement, reportez-vous à *Désengagement du système d'entraînement* à la page 72.

Désengagement du système d'entraînement

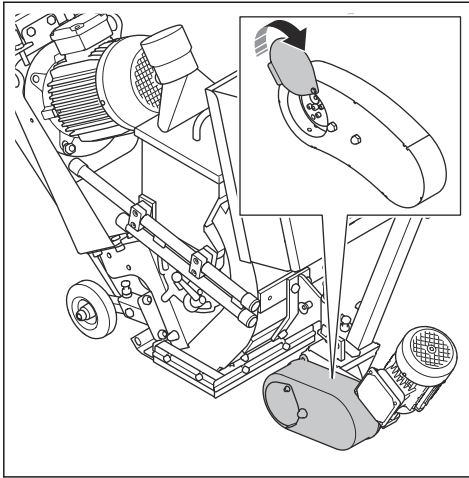


REMARQUE: ne désengagez le système d'entraînement que lorsque le produit est stationné sur une surface plane.

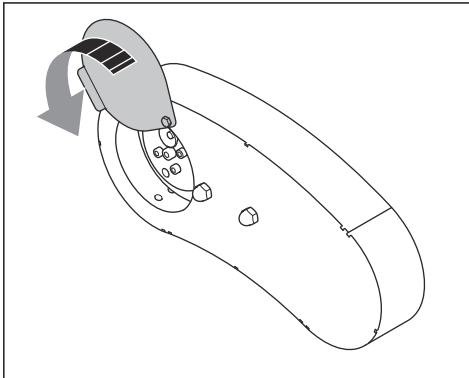
S'il est nécessaire de déplacer le produit manuellement, avec le moteur à l'arrêt, le système d'entraînement doit être désengagé. Retirez la goupille à déclenchement rapide pour désengager le système d'entraînement.

1. Stationnez le produit sur une surface plane et arrêtez-le.
2. Débranchez l'alimentation électrique.

3. Ouvrez le couvercle de la chaîne d'entraînement.



4. Retirez la goupille à déclenchement rapide.
5. Placez la goupille à déclenchement rapide en position de rangement.
6. Fermez le couvercle de la chaîne d'entraînement.



Vanne de matériaux abrasifs

La vanne magnétique de matériaux abrasifs contrôle le débit des grenailles abrasives en direction de la roue de grenailage. Le réglage de la vanne de matériaux abrasifs est indiqué sur l'ampèremètre. Reportez-vous à *Ampèremètre* à la page 69.

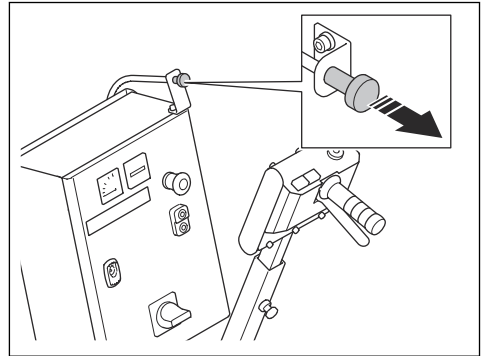
Le réglage de la vanne de matériaux abrasifs s'effectue à l'aide du câble de contrôle des matériaux abrasifs. Reportez-vous à *Actionnement de la vanne de matériaux abrasifs* à la page 73.

Actionnement de la vanne de matériaux abrasifs

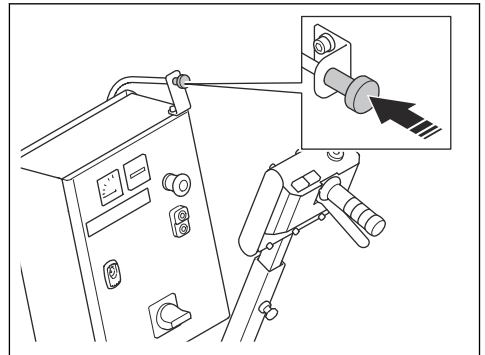


REMARQUE: n'ouvrez la vanne de matériaux abrasifs que lorsque le moteur de grenailage est en marche.

1. Tirez le câble de contrôle des matériaux abrasifs pour ouvrir la vanne de matériaux abrasifs et régler le débit des grenailles abrasives.



2. Poussez le câble de contrôle des matériaux abrasifs pour fermer la vanne de matériaux abrasifs et régler le débit des grenailles abrasives.

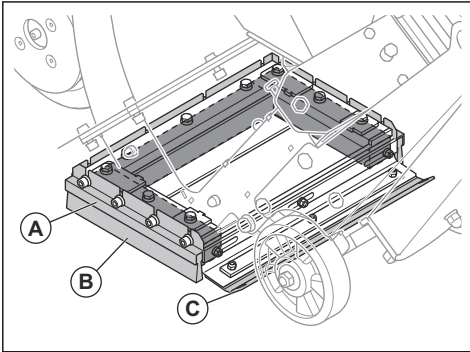


Joint d'abrasif

Le joint d'abrasif permet de s'assurer que les matériaux abrasifs restent dans le produit pendant le fonctionnement. Le joint d'abrasif est doté de joints magnétiques (A) sur les côtés et devant le carter de

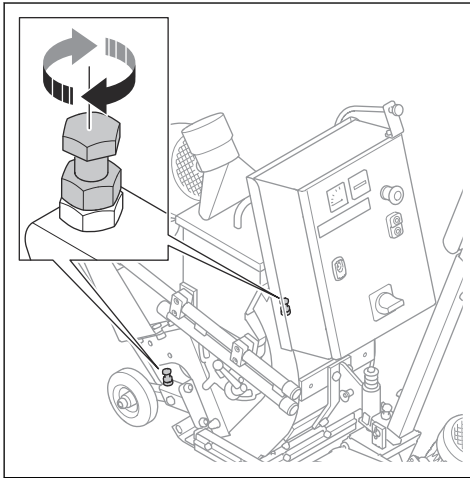
grenailage. Des ensembles de brosses (B) sont fixés autour des joints magnétiques.

Le joint de patin (C) se déplace sur la surface.

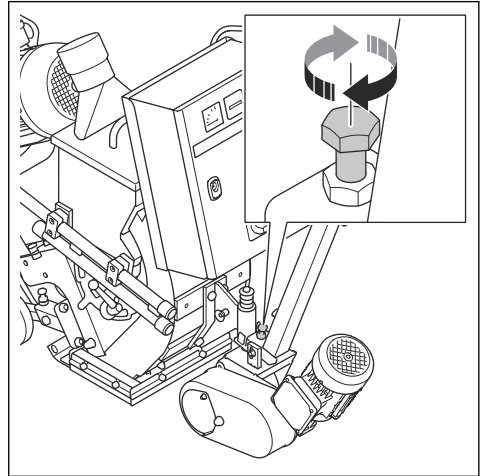


Réglage de la hauteur des joints magnétiques

1. Desserrez les 2 vis de réglage au niveau des roues arrière.



2. Desserrez la vis de réglage au niveau de la roue avant.

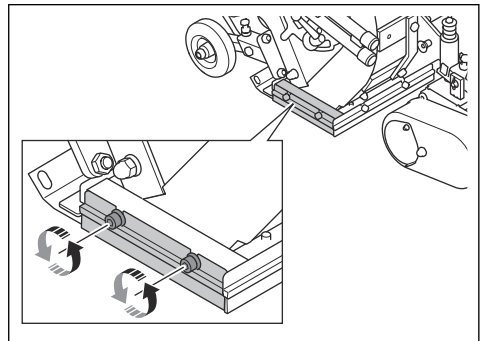


3. Réglez la hauteur jusqu'à ce que les joints magnétiques se trouvent à 8-10 mm de la surface.
4. Serrez les vis.

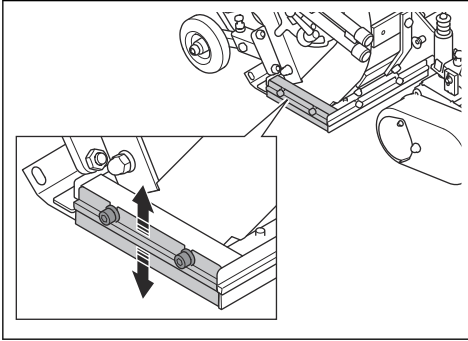
Réglage de la hauteur des joints d'ensemble de brosses

Les joints d'ensemble de brosses s'usent lorsque vous utilisez le produit. Il est nécessaire de régler la hauteur des joints d'ensemble de brosses à intervalles réguliers.

1. Desserrez les 2 vis qui maintiennent l'ensemble de brosses.



2. Réglez la hauteur de l'ensemble de brosses jusqu'à ce qu'il se trouve à 1 mm au-dessus de la surface.



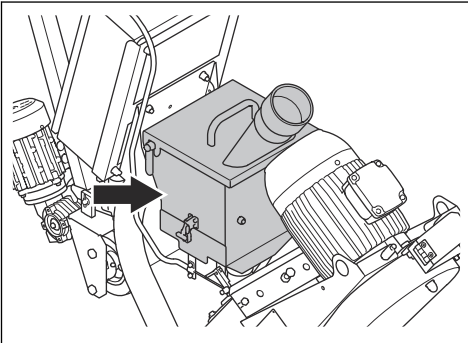
3. Serrez les 2 vis.

Matériaux abrasifs

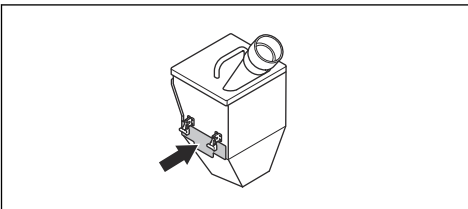
Contactez votre revendeur Husqvarna pour choisir les matériaux abrasifs adaptés à la surface que vous devez traiter. Reportez-vous à *Matériaux abrasifs approuvés à la page 90*.

Séparateur d'abrasifs

Le séparateur d'abrasifs permet d'éliminer tout contaminant des matériaux abrasifs. Le séparateur d'abrasifs retient les matériaux abrasifs et alimente la roue de grenailage en matériaux abrasifs.



Le bac de séparation empêche la contamination des matériaux abrasifs et de la roue de grenailage.

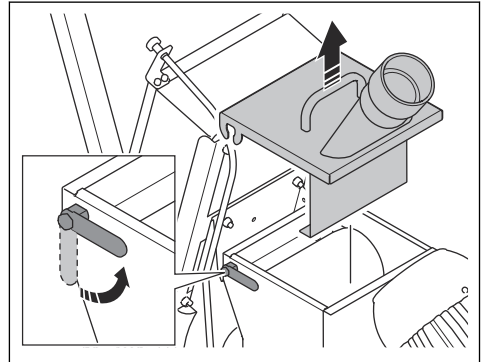


Remplissage du produit avec des matériaux abrasifs

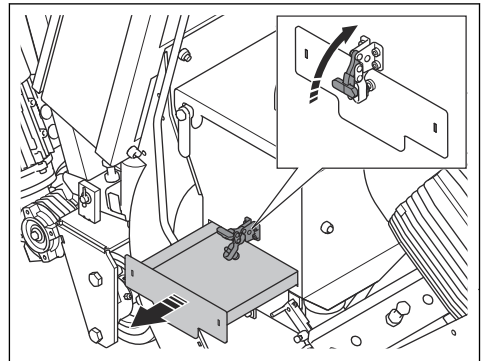


AVERTISSEMENT: portez toujours un équipement de protection individuel pendant le fonctionnement. Reportez-vous à *Équipement de protection individuel à la page 67*.

1. Fermez la vanne de matériaux abrasifs. Reportez-vous à *Actionnement de la vanne de matériaux abrasifs à la page 73*.
2. Déverrouillez le couvercle et soulevez la poignée pour ouvrir le séparateur.



3. Ouvrez le bac de séparation et éliminez toutes les contaminations lorsque vous ajoutez des matériaux abrasifs ou si nécessaire.



4. Remplissez le séparateur d'abrasif jusqu'au niveau du bac de séparation. Faites l'appoint en matériaux abrasifs si nécessaire.

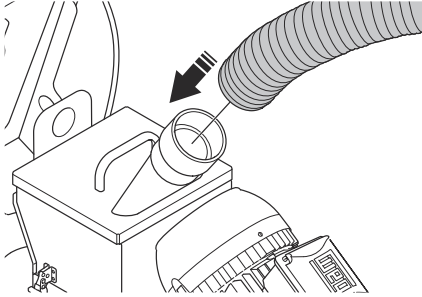
Branchement d'un aspirateur industriel



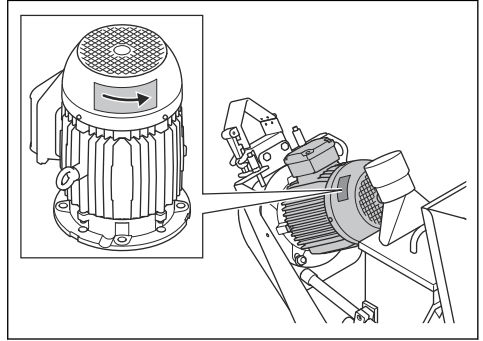
AVERTISSEMENT: N'utilisez pas l'aspirateur industriel si son tuyau est endommagé. L'utilisation d'un tuyau endommagé accroît le risque d'inhalation de

poussière nocive pour votre santé. Portez une protection respiratoire homologuée.

1. Vérifiez que le tuyau de l'aspirateur industriel n'est pas endommagé.
2. Assurez-vous que les filtres de l'aspirateur industriel sont en bon état et propres.
3. Branchez fermement le tuyau de l'aspirateur industriel au raccord de l'aspirateur industriel. Connectez les pièces fixées à l'aide de l'outil fourni et du ruban adhésif industriel.



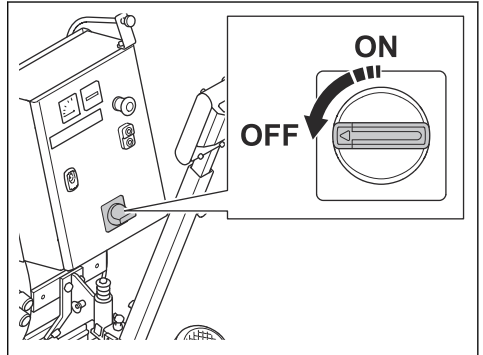
3. Assurez-vous que le sens de rotation du moteur de grenailage est correct. Le sens correct est indiqué par une flèche sur le dessus du couvercle du ventilateur.



4. Si nécessaire, changez le sens de rotation du moteur. Reportez-vous à *Modification du sens de rotation du moteur (triphase uniquement)* à la page 76.

Modification du sens de rotation du moteur (triphase uniquement)

1. Tournez l'interrupteur ON/OFF en position OFF.



2. Attendez que le produit soit totalement arrêté.
3. Débranchez la rallonge électrique de la fiche d'alimentation du produit.

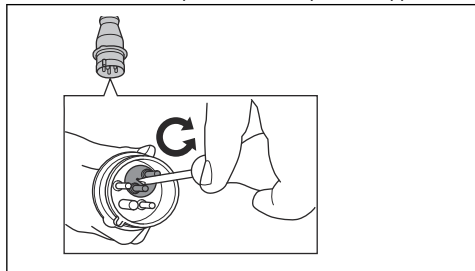
Branchement du produit à une source d'alimentation

1. Branchez la fiche d'alimentation du produit à une prise secteur mise à la terre ou à une autre source d'alimentation.
2. Assurez-vous que la tension secteur est conforme aux valeurs indiquées sur la plaque signalétique du produit.

Vérification du sens de rotation du moteur

1. Faites démarrer le produit. Reportez-vous à *Pour démarrer le produit à la page 77*.
2. Au bout de quelques secondes, arrêtez le produit. Reportez-vous à *Pour arrêter le produit à la page 80*.

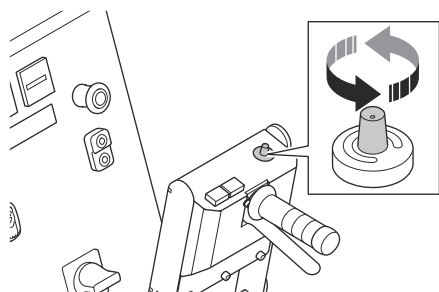
- Placez le commutateur inverseur de la fiche d'alimentation du produit dans la position opposée.



- Branchez le cordon d'alimentation et vérifiez le sens de rotation du moteur. Reportez-vous à *Vérification du sens de rotation du moteur* à la page 76.

Sélection de la vitesse appropriée

Pour un résultat optimal, il est important d'effectuer l'opération avec une vitesse d'entraînement appropriée. Si la qualité de la surface est hétérogène, réglez la vitesse d'entraînement pour obtenir un résultat uniforme. Examinez le résultat et ajustez la vitesse, si nécessaire.

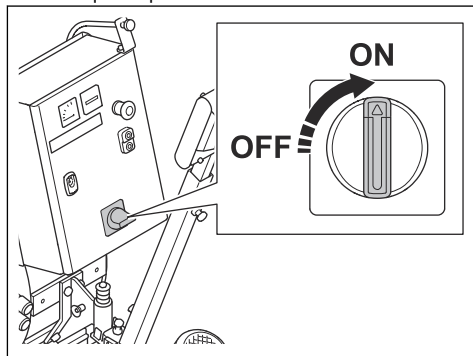


- Tournez le bouton de commande de vitesse dans le sens des aiguilles d'une montre pour augmenter la vitesse.
- Tournez le bouton de commande de vitesse dans le sens contraire des aiguilles d'une montre pour réduire la vitesse.
 - Utilisez une vitesse d'entraînement de 6 à 10 sur les surfaces en béton pour un traitement léger.
 - Utilisez une vitesse d'entraînement de 0 à 5 sur les surfaces en béton pour un traitement intensif.
 - Utilisez une vitesse d'entraînement de 0 à 2 sur les surfaces en acier.

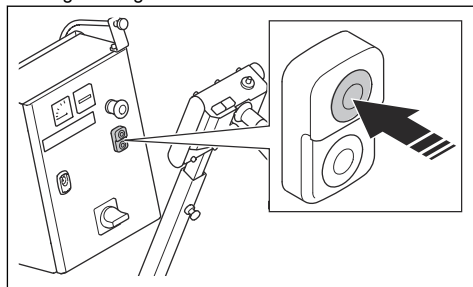
Pour démarrer le produit

- Branchez le produit à une alimentation électrique. Reportez-vous à *Branchement du produit à une source d'alimentation* à la page 76.
- Mettez l'aspirateur industriel en marche. Reportez-vous au manuel d'utilisation de l'aspirateur industriel.

- Branchez le tuyau de l'aspirateur industriel sur le produit. Reportez-vous à *Branchement d'un aspirateur industriel* à la page 75.
- Tournez le bouton d'arrêt d'urgence dans le sens des aiguilles d'une montre pour vous assurer qu'il est désengagé.
- Placez l'interrupteur Marche/Arrêt du boîtier électrique en position de marche.

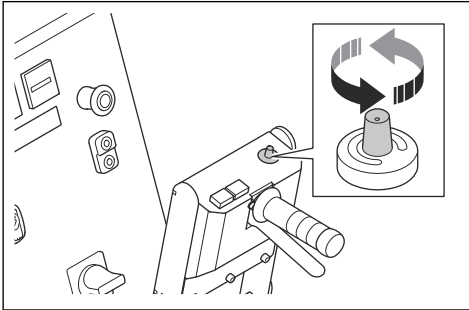


- Engagez le système d'entraînement. Reportez-vous à *Engagement du système d'entraînement* à la page 71.
- Appuyez sur le bouton ON pour démarrer le moteur de grenailage.



- Attendez que l'ampèremètre soit en position de ralenti.
- Assurez-vous que le sens de rotation du moteur de grenailage est correct. Reportez-vous à *Vérification du sens de rotation du moteur* à la page 76.

10. Tournez le bouton de commande de vitesse pour régler la vitesse d'entraînement.



Pour utiliser le produit



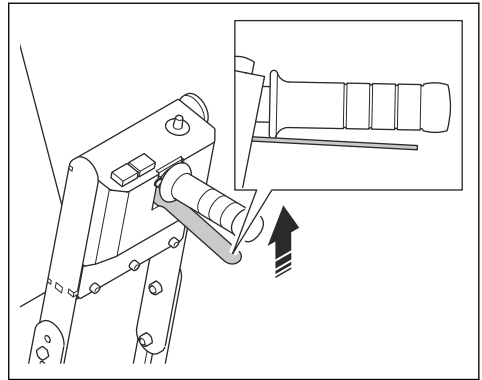
AVERTISSEMENT: ce produit doit être déplacé vers l'arrière uniquement. Ne déplacez pas le produit vers l'avant pendant le fonctionnement.



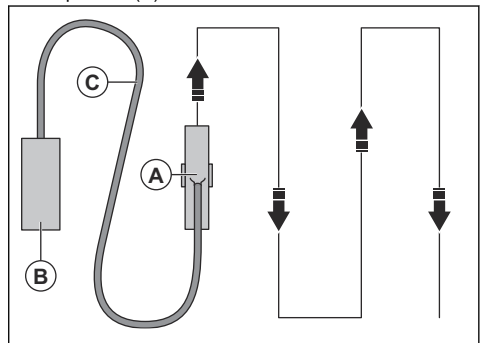
AVERTISSEMENT: ne soulevez pas le carter de grenailage pendant le fonctionnement. Les matériaux abrasifs sont expulsés du produit à grande vitesse et peuvent provoquer des blessures.

1. Assurez-vous que la zone de travail est sécurisée. Reportez-vous à *Sécurité dans la zone de travail* à la page 67.
2. Remplissez le séparateur d'abrasifs de matériaux abrasifs. Remplissez le séparateur d'abrasifs si nécessaire. Reportez-vous à *Remplissage du produit avec des matériaux abrasifs* à la page 75.
3. Faites démarrer le produit. Reportez-vous à *Pour démarrer le produit* à la page 77.
4. Engagez le système d'entraînement. Reportez-vous à *Engagement du système d'entraînement* à la page 71.

5. Actionnez le levier du système d'entraînement.

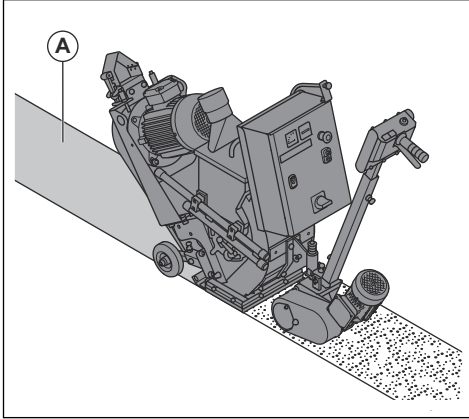


6. Tirez le levier de contrôle des matériaux abrasifs pour ouvrir la vanne de matériaux abrasifs. Reportez-vous à *Actionnement de la vanne de matériaux abrasifs* à la page 73.
7. Après 2 m, fermez la vanne de matériaux abrasifs et arrêtez le produit.
8. Contrôlez le profil de grenailage. Réglez le profil de grenailage, si nécessaire. Reportez-vous à *Réglage du profil de grenailage* à la page 79.
9. Sélectionnez la vitesse appropriée. Reportez-vous à *Sélection de la vitesse appropriée* à la page 77.
10. Déplacez le produit (A) sur des trajectoires parallèles. L'aspirateur industriel (B) doit être raccordé au produit (A) à l'aide du tuyau de l'aspirateur (C).



Profil de grenailage

Le profil de grenailage (A) correspond à la surface qui a reçu le traitement.



Pour un bon résultat, la zone active doit se trouver au centre du profil de grenailage. Si la zone active est trop sur la gauche ou la droite, tournez la cage de contrôle. Reportez-vous à *Réglage du profil de grenailage à la page 79*.

Voici les conditions qui influent sur le profil de grenailage :

- Sens de rotation correct de la roue de grenailage.
- Usure accrue de la roue de grenailage, du rotor et de la cage de contrôle.
- Dimension des matériaux abrasifs. Le profil de grenailage doit être ajusté lorsque vous modifiez la dimension.
- Position de la vitre latérale dans la cage de contrôle.
- Différents types et dureté de surface.

Réglage du profil de grenailage



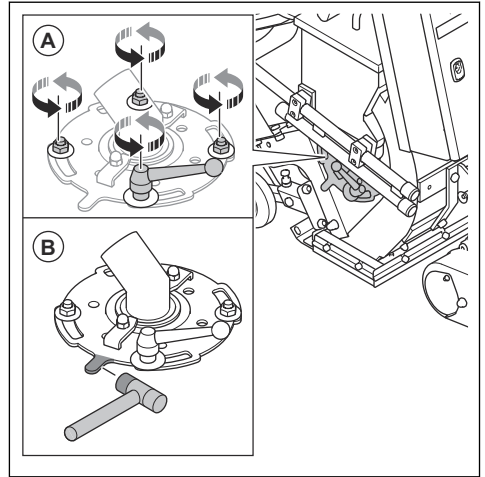
AVERTISSEMENT: ne réglez pas, ne desserrez pas et ne touchez pas les brides de fixation de la cage, la goulotte d'alimentation ou la roue de grenailage lorsque le produit est en marche. Débranchez l'alimentation électrique lors du réglage du profil de grenailage.



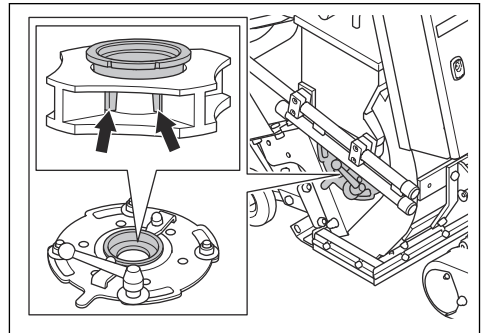
AVERTISSEMENT: utilisez un équipement de protection individuel lorsque vous réglez le profil de grenailage. Reportez-vous à *Équipement de protection individuel à la page 67*.

1. Débranchez la fiche d'alimentation électrique.

2. Desserrez les 3 écrous et le levier de réglage (A).

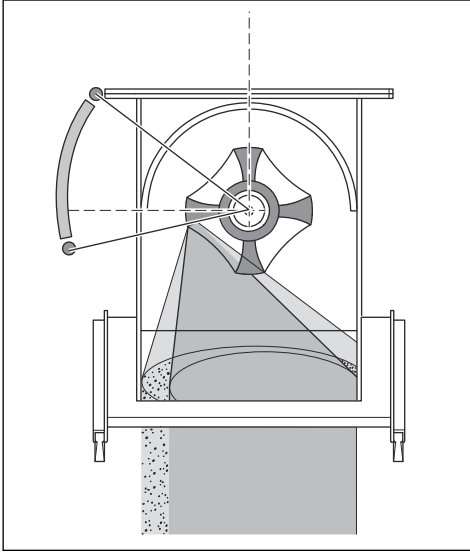


3. Frappez le couvercle de la roue de grenailage à l'aide d'un marteau en caoutchouc pour régler le profil de grenailage (B).
4. Lorsque vous tournez le couvercle de la roue de grenailage, vous réglez l'emplacement de la vitre de la cage de contrôle.

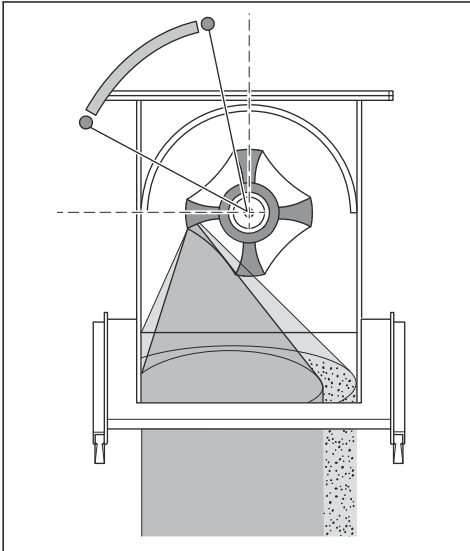


5. Assurez-vous que la goulotte d'alimentation est toujours dans la position correcte après avoir réglé la cage de contrôle.

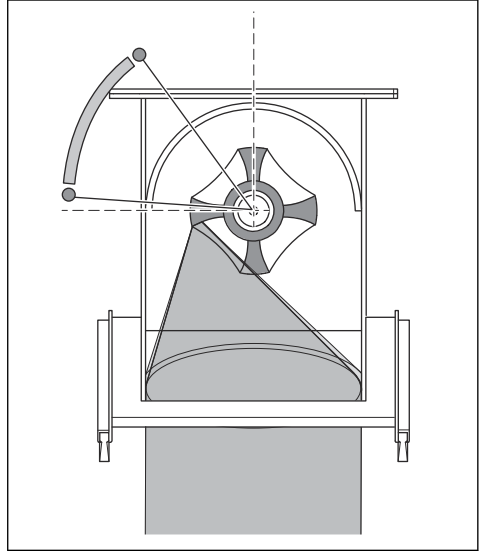
6. Tournez la cage de contrôle dans le sens des aiguilles d'une montre si la zone active est trop à droite.



7. Tournez la cage de contrôle dans le sens inverse des aiguilles d'une montre si la zone active est trop à gauche.



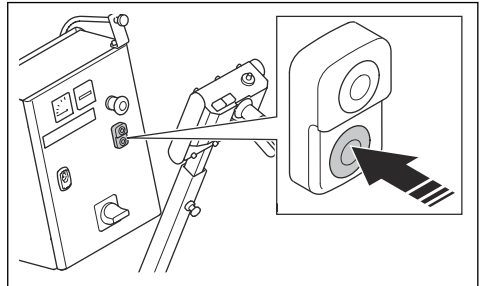
8. Assurez-vous que la zone active est appliquée de manière égale sur la surface pour un réglage correct.



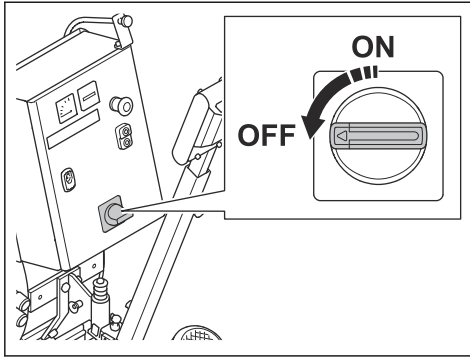
9. Serrez le levier de réglage et les 3 écrous lorsque la cage de contrôle est dans la position correcte.

Pour arrêter le produit

1. Poussez le câble de contrôle des matériaux abrasifs pour fermer la vanne de matériaux abrasifs. Reportez-vous à *Actionnement de la vanne de matériaux abrasifs* à la page 73.
2. Appuyez sur le bouton OFF pour arrêter le moteur de grenailage.



3. Tournez l'interrupteur ON/OFF en position OFF.



4. Débranchez la fiche d'alimentation de l'alimentation électrique.

5. Arrêtez l'aspirateur industriel. Reportez-vous au manuel d'utilisation de l'aspirateur industriel.

Entretien

Introduction



AVERTISSEMENT: avant d'effectuer des travaux d'entretien, vous devez lire et comprendre le chapitre sur la sécurité.



AVERTISSEMENT: utilisez un équipement de protection individuel lors de l'entretien. Reportez-vous à *Équipement de protection individuel* à la page 67.



AVERTISSEMENT: avant d'effectuer l'entretien, arrêtez le moteur et débranchez la fiche de l'alimentation électrique. Vérifiez que tous les entraînements s'arrêtent.

Nous garantissons qu'il vous est possible d'obtenir des services de réparation et d'entretien effectués par des professionnels. Si votre revendeur n'est pas un atelier spécialisé, demandez-lui des informations à propos de l'atelier spécialisé le plus proche.

Pour des informations plus détaillées, reportez-vous à www.husqvarnaconstruction.com.

Calendrier d'entretien

* = Entretien général effectué par l'opérateur. Les instructions ne sont pas mentionnées dans ce manuel d'utilisation.

X = Les instructions sont mentionnées dans ce manuel d'utilisation.

O = Les instructions ne sont pas mentionnées dans ce manuel d'utilisation. Faites réaliser l'entretien par un agent d'entretien agréé.

Une formation spécifique est nécessaire pour effectuer tous les travaux d'entretien et de réparation du produit.

Entretien général du produit	Toutes les 3 h	Tous les jours	12 h après l'entretien	Tous les 3 mois	Une fois par an
Assurez-vous que les écrous et les vis sont serrés.		*	*		
assurez-vous que la fiche d'alimentation et le câble de rallonge sont en bon état et non endommagés.		*			
Vérifiez que les composants électriques, les câbles et les raccords ne sont pas usés ou endommagés.		*			
Effectuez un contrôle du RCD.		*			

Entretien général du produit	Toutes les 3 h	Tous les jours	12 h après l'entretien	Tous les 3 mois	Une fois par an
Examinez le moteur électrique à la recherche de saletés et de dommages.		*			
Assurez-vous que le tuyau de l'aspirateur industriel n'est pas endommagé ou obstrué.		*			
Videz l'aspirateur industriel.	*				
Contrôlez le séparateur d'abrasifs, le bac du séparateur et la goulotte d'alimentation.	X				
Nettoyez le produit.		X			
Contrôlez les dispositifs de sécurité.		X			
Vérifiez l'usure du joint des brosses et du joint magnétique.		X			
Vérifiez l'usure de la cage de contrôle, de la roue de grenailage et des chemises. Reportez-vous à <i>À faire avant d'utiliser le produit à la page 70.</i>		X			
Contrôlez la tension de la courroie d'entraînement.		X		X	
Vérifiez la tension de la chaîne d'entraînement du système d'entraînement.				X	
Nettoyez la chaîne d'entraînement du système d'entraînement.				X	
Effectuez un entretien et un nettoyage complets du produit.					○

Nettoyage du produit

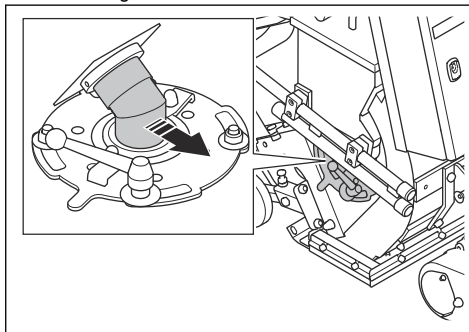
- Nettoyez toujours tout l'équipement après utilisation. Utilisez un aspirateur.
- N'utilisez pas de nettoyeur haute pression pour nettoyer le produit.
- Maintenez les ouvertures d'air propres et dégagées pour garantir que le produit est toujours suffisamment frais.

Nettoyage de la chaîne du système d'entraînement

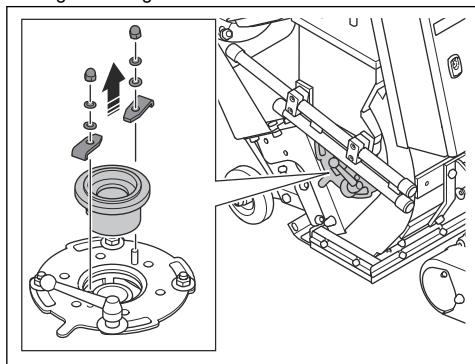
1. Éliminez la saleté sur la surface extérieure de la chaîne à l'aide d'une brosse dure ou métallique.
2. Nettoyez la chaîne à l'aide d'un produit de nettoyage approprié.
3. Éliminez la saleté des pièces internes de la chaîne.

Dépose et installation de la cage de contrôle

1. Retirez la goulotte d'alimentation.



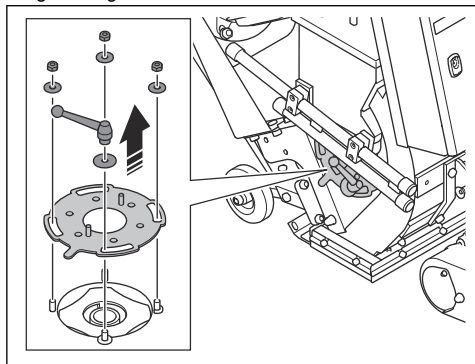
- Retirez les 2 écrous, les 4 rondelles, les 2 colliers de cage et la cage de contrôle.



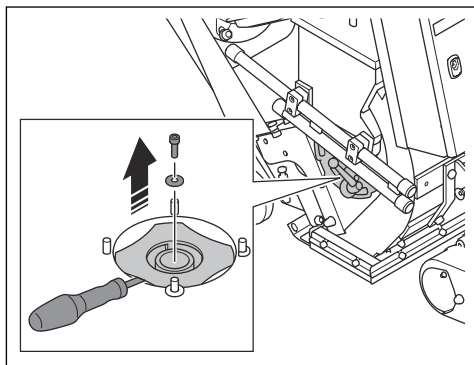
- Installez la cage de contrôle dans l'ordre inverse.

Remplacement de la roue de grenailage

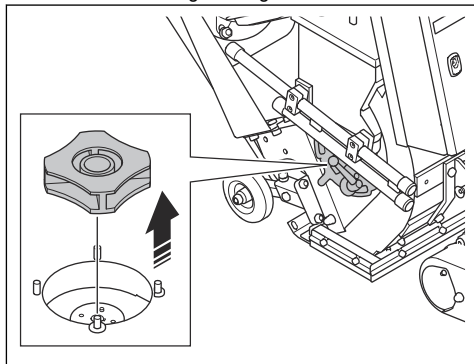
- Retirez la goulotte d'alimentation et la cage de contrôle. Reportez-vous à *Dépose et installation de la cage de contrôle à la page 82*.
- Retirez les 3 écrous, le levier de la cage de contrôle, les 4 rondelles et le couvercle de la roue de grenailage.



- Placez un outil adapté dans la roue de grenailage pour empêcher toute rotation. Retirez le boulon et mettez-le au rebut.



- Retirez la roue de grenailage.



- Installez la roue de grenailage neuve dans l'ordre inverse.



REMARQUE: utilisez toujours un boulon neuf lors de la pose d'une roue de grenailage neuve.

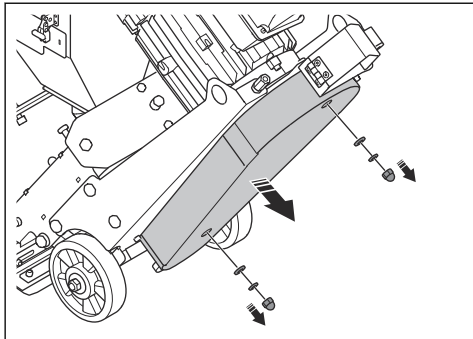
Contrôle de la tension de la courroie trapézoïdale



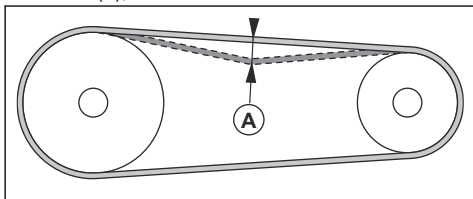
AVERTISSEMENT: N'utilisez pas le produit si le couvercle de la courroie trapézoïdale n'est pas installé.

- Arrêtez le produit. Reportez-vous à *Pour arrêter le produit à la page 80*.

- Retirez le carter de la courroie trapézoïdale.



- Vérifiez l'absence de dommages et d'usure au niveau des courroies trapézoïdales. Remplacez les courroies trapézoïdales, si nécessaire.
- Poussez les courroies trapézoïdales avec le pouce pour vérifier la tension. Si vous pouvez pousser les courroies trapézoïdales sur une distance de 10 à 15 mm (A), la tension est correcte.



- Si la tension des courroies trapézoïdales n'est pas suffisante, augmentez la distance entre le moteur et le roulement.
- Installez le couvercle de la courroie trapézoïdale.

Remplacement des courroies trapézoïdales



AVERTISSEMENT: ne retirez le carter de la courroie trapézoïdale que lorsque l'alimentation électrique est débranchée et que le moteur de grenailage est complètement arrêté.



AVERTISSEMENT: N'utilisez pas le produit si le couvercle de la courroie trapézoïdale n'est pas installé.

- Retirez le carter de la courroie trapézoïdale. Reportez-vous à *Contrôle de la tension de la courroie trapézoïdale* à la page 83.
- Réduisez la distance entre le moteur de grenailage et le roulement pour relâcher la tension des courroies trapézoïdales.
- Retirez les anciennes courroies trapézoïdales et installez les nouvelles.

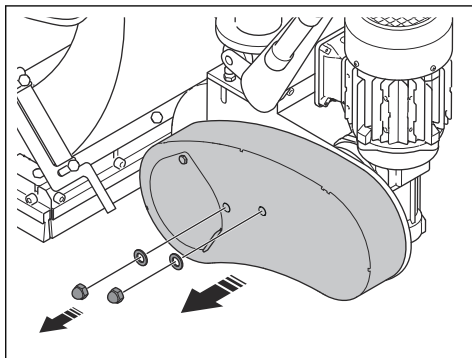
- Augmentez la distance entre le moteur de grenailage et le roulement pour tendre la courroie trapézoïdale. Reportez-vous à *Contrôle de la tension de la courroie trapézoïdale* à la page 83.
- Fixez le carter de la courroie trapézoïdale.

Contrôle de la tension de la chaîne du système d'entraînement

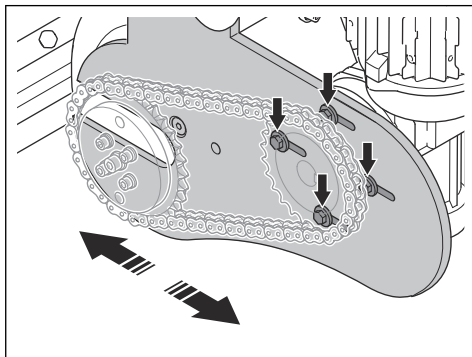


AVERTISSEMENT: n'utilisez pas le produit si le couvercle de la chaîne n'est pas installé.

- Arrêtez le produit. Reportez-vous à *Pour arrêter le produit* à la page 80.
- Retirez le couvercle de la chaîne.



- Poussez la chaîne pour vérifier sa tension. Si vous pouvez pousser la chaîne sur une distance de 5 mm, la tension est correcte.
- Desserrez les écrous.



- Déplacez la roue de chaîne pour régler la tension.
- Serrez les écrous.
- Installez le couvercle de la chaîne.

Recherche de pannes

Problème	Cause	Solution
Trop de vibrations et/ou de bruits inhabituels.	La roue de grenailage est usée ou endommagée.	Remplacez les pièces usées ou endommagées.
	L'alignement de la roue de grenailage et de la cage de contrôle est incorrect.	Réglez l'alignement de la roue de grenailage et de la cage de contrôle.
	Des vis et des écrous sont desserrés.	Resserrez toutes les vis et tous les écrous.
	La tension des courroies trapézoïdales est incorrecte.	Contrôlez la tension de la courroie trapézoïdale. Reportez-vous à <i>Contrôle de la tension de la courroie trapézoïdale à la page 83</i> .
	Le moteur est endommagé.	Remplacez le moteur. Contactez un atelier spécialisé Husqvarna agréé.
	Les roues sont endommagées.	Remplacez les roues.
Diminution ou absence de performances.	L'apport de matériaux abrasifs à la roue de grenailage est insuffisant.	Nettoyez le bac de séparation et remplissez le séparateur d'abrasifs avec des matériaux abrasifs.
		Contrôlez la goulotte d'alimentation et la vanne de matériaux abrasifs.
	Le type de matériaux abrasifs n'est pas adapté à la surface.	Remplacez les matériaux abrasifs par d'autres, plus adaptés à la surface.
	Les matériaux abrasifs sont contaminés.	Vérifiez l'aspirateur industriel et son tuyau.
	La roue de grenailage ou la cage de contrôle est usée ou endommagée.	Remplacez la roue de grenailage et/ou la cage de contrôle.
	Une quantité trop importante de matériaux abrasifs heurte la surface au début de l'opération.	Fermez la vanne de matériaux abrasifs et arrêtez le produit. Recommencez l'opération et ouvrez lentement la vanne de matériaux abrasifs.
	La vitesse d'entraînement du produit est trop élevée.	Réduisez la vitesse d'entraînement.
Des matériaux abrasifs s'échappent du produit.	Les joints magnétiques sont à une mauvaise distance de la surface.	Réglez la hauteur des joints magnétiques.
	Des joints sont endommagés.	Vérifiez tous les joints et remplacez-les, si nécessaire.
	La qualité de matériaux abrasifs n'est pas satisfaisante.	Pour davantage d'informations, contactez votre revendeur.
L'usure est anormale sur certaines parties du carter de grenailage.	Matériaux abrasifs inadaptés.	Pour davantage d'informations, contactez votre revendeur.
	La cage de contrôle n'est pas installée correctement.	Réglez la cage de contrôle pour définir un meilleur profil de grenailage.
	L'aspirateur industriel ne fournit pas une puissance d'aspiration suffisante.	Vérifiez l'aspirateur industriel et son tuyau.

Problème	Cause	Solution
Le produit ne se déplace pas.	La vitesse d'entraînement est trop faible.	Augmentez la vitesse d'entraînement.
	La tête de grenailage se coince au sol.	Réglez la hauteur.
	Le système d'entraînement est endommagé ou n'est pas connecté.	Engagez le système d'entraînement. Vérifiez la chaîne d'entraînement.
Le moteur ne démarre pas.	Une phase de l'alimentation électrique est manquante.	Contrôlez l'alimentation électrique.
	Une phase de l'alimentation électrique est incorrecte.	Réglez la phase.
	Le bouton d'arrêt d'urgence est engagé.	Tournez le bouton d'arrêt d'urgence dans le sens des aiguilles d'une montre pour le dés-engager.
	Le disjoncteur du moteur est engagé.	Redémarrez le produit. Contrôlez l'alimentation électrique.
	La rallonge est débranchée ou endommagée.	Branchez la rallonge ou, si nécessaire, remplacez-la.
	Un composant est endommagé.	Contactez un atelier spécialisé Husqvarna agréé.
Arrêt du produit après un court instant.	Le disjoncteur du moteur se déclenche en raison d'une surcharge.	Contactez un atelier spécialisé Husqvarna agréé.
	Le moteur est endommagé.	Vérifiez le moteur.
	Un fusible de sécurité ou un disjoncteur de courant de défaut est activé.	Contactez un atelier spécialisé Husqvarna agréé.
	Des câbles sont endommagés.	Vérifiez le câble et remplacez-le, si nécessaire.
Le système d'entraînement ne fonctionne pas correctement.	Le système d'entraînement n'est pas engagé.	Posez la goupille à déclenchement rapide.
	Le fusible de sécurité ou le moteur du système d'entraînement est endommagé.	Contactez un atelier spécialisé Husqvarna agréé.
	Le panneau de commande est endommagé.	Contactez un atelier spécialisé Husqvarna agréé.
	Le potentiomètre est endommagé.	Contactez un atelier spécialisé Husqvarna agréé.

Transport, entreposage et mise au rebut

Transport



AVERTISSEMENT: soyez prudent lors du transport. Le produit est lourd et peut provoquer des blessures ou être endommagé en cas de chute ou de déplacement lors du transport.



REMARQUE: ne remorquez pas le produit derrière un véhicule.

- Assurez-vous que l'alimentation électrique est débranchée avant le transport.
- Veillez à débrancher le câble électrique et le tuyau de l'aspirateur industriel avant le transport.
- Retirez les matériaux abrasifs avant le transport.

- Les roues vous permettent de déplacer le produit sur de courtes distances. Pour de longues distances, soulevez le produit pour le déplacer ou le placer sur un véhicule.
- Placez une protection sur le produit pendant le transport. La protection permet que le produit n'entre pas en contact avec des éléments naturels, comme la pluie et la neige.
- Engagez le système d'entraînement pendant le transport. Reportez-vous à *Engagement du système d'entraînement à la page 71*.

Pour déplacer le produit manuellement



AVERTISSEMENT: attendez que toutes les pièces mobiles soient immobilisées avant de déplacer le produit.



AVERTISSEMENT: portez des bottes de protection avec coquille en acier et des semelles antidérapantes.



AVERTISSEMENT: Ne faites pas monter et descendre le produit sur des rampes manuellement lorsque le système d'entraînement est désengagé. Déplacez le produit manuellement uniquement sur une surface plane.

1. Désengagez le système d'entraînement. Reportez-vous à *Engagement du système d'entraînement à la page 71*.
2. Poussez la poignée vers le bas.
3. Poussez ou tirez le produit par la poignée.
4. Engagez le système d'entraînement. Reportez-vous à *Engagement du système d'entraînement à la page 71*. Lorsque le moteur est coupé, cela permet de bénéficier d'une fonction équivalente à celle d'un frein de stationnement et d'empêcher tout déplacement accidentel du produit.

Déplacement du produit avec le système d'entraînement



AVERTISSEMENT: le produit est lourd, et il existe un risque de blessure en cas de chute du produit. Soyez prudent lorsque vous vous déplacez autour du produit.



AVERTISSEMENT: ne soulevez pas le produit du sol pendant le fonctionnement.

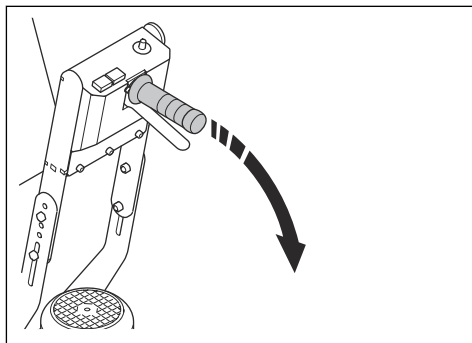


AVERTISSEMENT: Ne déplacez pas le produit vers l'avant pendant le fonctionnement.

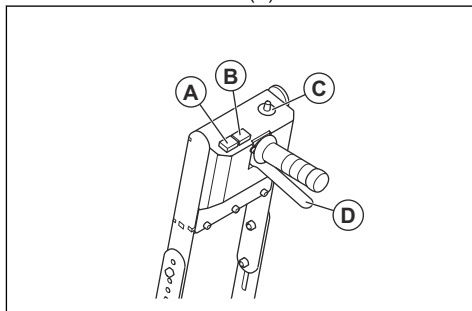


AVERTISSEMENT: portez des bottes de protection avec coquille en acier et des semelles antidérapantes.

1. Engagez le système d'entraînement. Reportez-vous à *Engagement du système d'entraînement à la page 71*.
2. Abaissez la poignée pour soulever le produit de la surface.



3. Réglez la vitesse de déplacement à l'aide du bouton de commande de vitesse (C).



4. Appuyez sur le levier du système d'entraînement (D) et maintenez-le enfoncé pour déplacer le produit vers l'arrière.
5. Appuyez sur le bouton d'overdrive (A) et maintenez-le enfoncé pour vous déplacer à la vitesse maximale.
6. Appuyez sur le bouton de marche avant (B) et maintenez-le enfoncé pour déplacer le produit vers l'avant.

Montée et descente du produit avec une rampe



AVERTISSEMENT: Soyez très prudent lorsque vous faites monter et descendre le produit sur des rampes. Le produit est lourd et il y a un risque de blessure si le produit tombe ou se déplace trop rapidement.



AVERTISSEMENT: Pour les rampes à pente raide, utilisez toujours un treuil. Ne marchez pas sur le produit et ne restez en dessous ou à proximité.

- Pour faire descendre le produit d'une rampe, déplacez-le lentement vers l'avant.
- Pour faire monter le produit sur une rampe, déplacez-le lentement vers l'arrière.
- Ne faites pas pivoter le produit vers la gauche ou vers la droite à plus de 45° sur une rampe.

Levage du produit



AVERTISSEMENT: Assurez-vous que l'équipement de levage présente la bonne spécification afin de soulever le produit en toute sécurité. La plaque signalétique sur le produit indique le poids du produit.

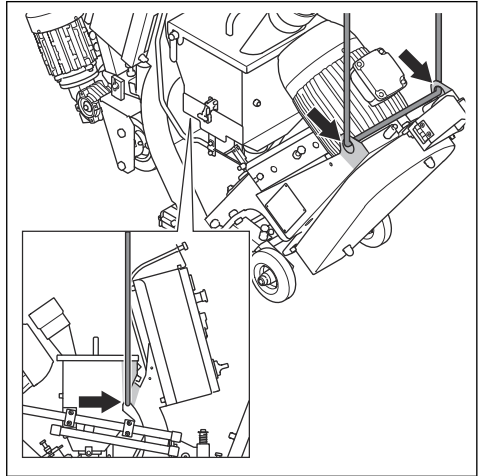


AVERTISSEMENT: ne marchez pas sur un produit soulevé et ne restez en dessous ou à proximité. Éloignez les personnes présentes de la zone de travail.



AVERTISSEMENT: Ne soulevez pas un produit endommagé. Vérifiez que le boulon de levage est bien fixé et en bon état.

1. Fixez l'équipement de levage au niveau des points de levage.



2. Soulevez le produit de manière sécurisée. Tenez la poignée jusqu'à ce que le produit soit soulevé du sol.

Fixation du produit pour le transport

Utilisez les anneaux de levage pour fixer le produit au véhicule de transport.

1. Fixez les sangles d'arrimage dans les anneaux de levage.
2. Fixez les sangles d'arrimage sur le véhicule de transport et serrez-les.

Remisage



REMARQUE: N'entreposez pas le produit à l'extérieur. Gardez toujours le produit à l'intérieur.

- Conservez le produit dans un endroit sec et à l'abri du gel.
- Nettoyez le produit et effectuez un entretien complet avant de remiser le produit.
- Conservez le produit dans un endroit verrouillé afin que des enfants ou personnes qui ne sont pas autorisées à l'utiliser ne puissent pas y avoir accès.
- Retirez les matériaux abrasifs du séparateur d'abrasifs.

Mise au rebut du produit

- Respectez les consignes locales de recyclage et la réglementation en vigueur.
- Lorsque vous n'utilisez plus le produit, renvoyez-le au concessionnaire Husqvarna ou mettez-le au rebut dans une déchetterie.

Caractéristiques techniques

	1-8DPS30 1x230V	1-8DPS30 3x400V	1-8DPS55
Puissance nominale, W	3 180	3 370	5 680
Tension nominale, V	230	400	
Fréquence nominale, Hz	50		
Intensité nominale, A	13,4	6,95	11
Longueur du câble, m	10		
Type de câble d'alimentation	3 x 2,5 mm ²	4 x 2,5 mm ²	
Largeur de fonctionnement, mm	203		
Vitesse d'entraînement, m/min	0-23		
Pente de nettoyage maximale, deg/%	10/18		
Dimensions du produit (Lxlxh), mm	1570x380x1050		1700x380x1050
Poids, kg	145		155
Température de fonctionnement, °C	-10-45		
Diamètre du raccord du tuyau à poussière, mm	75		
Aspirateur industriel	Contactez un atelier spécialisé Husqvarna pour plus d'informations.		

Remarque: Si votre produit correspond à des spécifications électriques qui ne figurent pas dans le

tableau, contactez un atelier de réparation Husqvarna pour plus d'informations.

Vibrations et émissions sonores

Émissions sonores	
Niveau de pression sonore à l'oreille de l'utilisateur, Lp dB(A) ¹	76
Niveaux de vibrations	
Poignée principale, m/s ² ²	0,5
¹ Niveau de pression sonore déterminé selon la norme EN ISO 11202. Mesuré sur une surface en béton. Incertitude KpA 2,5 dB ² Accélération effective pondérée mesurée au niveau de la poignée conformément à la norme EN ISO 20643. Mesuré sur une surface en béton. Incertitude K 0,5 m/s ²	

Matériaux abrasifs approuvés

	Grenaille d'acier à haute teneur en carbone			Abrasif en acier à haute teneur en carbone
Matériaux abrasifs approuvés	S-330	S-390	S-460*	SG25*
mm	1,0	1,2	1,4	1,0
*opérations spéciales				

Rallonges

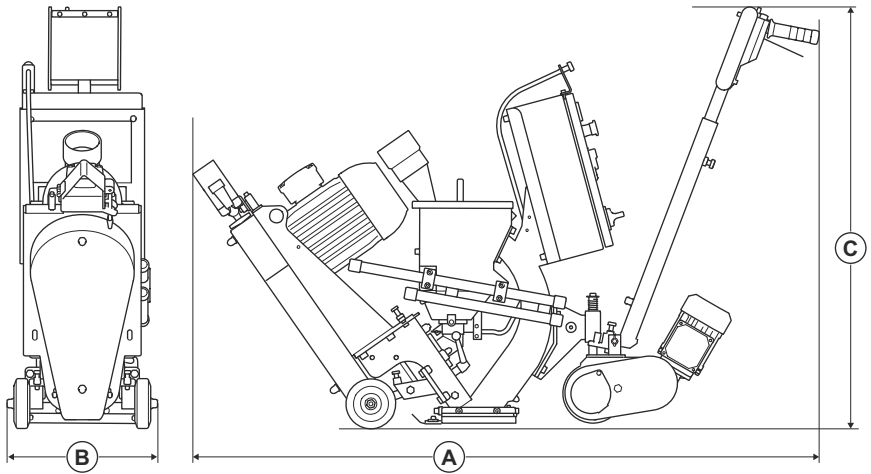
Longueur du câble	Section transversale			
	≤ 16 A	≤ 32 A	≤ 63 A	≤ 125 A
Calculé au niveau d'un pré-fusible GG ¹ :	16 A	32 A	63 A	125 A
>20 m	1,5 mm ²	2,5 mm ²	10 mm ²	25 mm ²
20 m > 50 m	2,5 mm ²	4 mm ²	10 mm ²	25 mm ²
50 m > 75 m	4 mm ²	6 mm ²	16 mm ²	35 mm ²
¹ Les sections transversales doivent être recalculées lorsque des pré-fusibles de type ou de dimension différents sont utilisés.				

Déclaration relative au bruit et aux vibrations

Ces valeurs déclarées ont été obtenues grâce à des essais types effectués en laboratoire conformément à la directive ou aux normes mentionnées. Elles conviennent à l'établissement d'une comparaison avec les valeurs déclarées d'autres produits testés conformément aux mêmes normes ou à la même directive. Ces valeurs

ne sont pas adaptées à une utilisation à des fins d'évaluations des risques ; les valeurs mesurées dans différents lieux de travail peuvent être plus élevées. Les valeurs d'exposition réelles et les risques de blessures rencontrés par chaque utilisateur sont uniques et dépendent de la manière dont l'utilisateur travaille, dans quel matériau le produit est utilisé, mais aussi de la durée d'exposition, de la condition physique de l'utilisateur et de l'état du produit.

Dimensions du produit



A	Longueur, mm	1570
B	Largeur, mm	380
C	Hauteur, mm	1050

Déclaration de conformité

Déclaration de conformité UE

Nous, Husqvarna AB, SE-561 82 Huskvarna, Suède,
tél : +46- 36-146500, déclarons sous notre entière
responsabilité que le produit :

Description	Grenailleuse
Marque	Husqvarna
Type/Modèle	1-8DPS30, 1-8DPS55
Identification	Numéros de série à partir de 2023 et ultérieurs

est entièrement conforme à la réglementation et aux
directives de l'UE suivantes :

Directive/Réglementation	Description
2006/42/EC	« relative aux machines »
2014/30/UE	« relative à la compatibilité électromagnétique »

et que les normes et/ou les spécifications techniques
suivantes sont appliquées :

EN ISO 12100:2010

Partille, 2023-04-03



Martin Huber

Directeur R&D, surfaces et sols en béton

Husqvarna AB, division Construction

Responsable de la documentation technique



Inhoud

Inleiding.....	93	Probleemoplossing.....	115
Veiligheid.....	96	Vervoer, opslag en verwerking.....	116
Werking.....	101	Technische gegevens	119
Onderhoud.....	111	Verklaring van overeenstemming.....	122

Inleiding

Productbeschrijving

Het product is een duwkogelstraler die wordt aangedreven door elektromotoren. Het product heeft een straalwiel die metalen straalmiddel op het oppervlak werpt. Het product moet tijdens gebruik op een correcte stofzuiger zijn aangesloten.

Gebruik

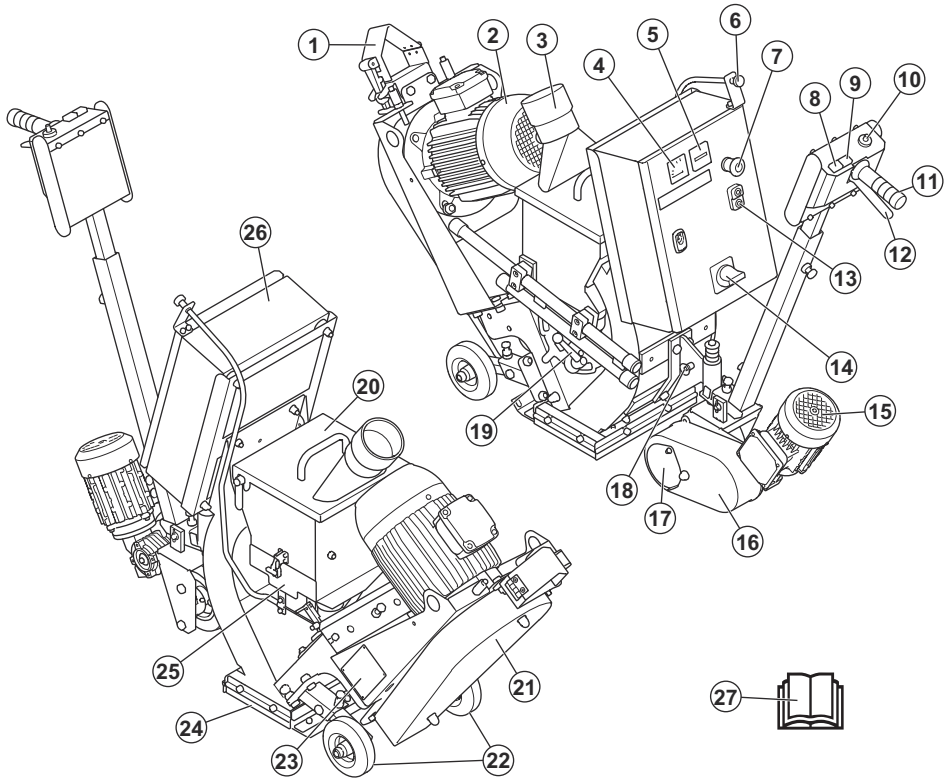
Het product wordt gebruikt om dunne lagen verf, afdichtingsmiddelen en verontreinigingen te verwijderen.

Het product kan worden gebruikt op droge, vorstvrije horizontale oppervlakken. Bijvoorbeeld op beton, asfalt, steen en staal.

Het product wordt voor commerciële toepassingen gebruikt door professionele gebruikers.

Gebruik het product niet voor andere taken.

Productoverzicht



1. Klem voor stofslang en elektrische kabel
2. Straalmotor
3. Aansluiting voor stofzuiger
4. Ampèremeter voor straalmotor
5. Urenteller
6. Straalmiddelcontrolekabel
7. Noodstopknop
8. Overdriveknop
9. Voorwaarts-knop
10. Toerentalregelknop
11. Stuurhendel
12. Hendel aandrijfsysteem
13. ON/OFF-knop van de straalmotor
14. ON/OFF-schakelaar
15. Motor aandrijfsysteem
16. Kap aandrijfsysteem
17. Kinbescherming
18. Snelontgrendelingspin
19. Afstelhendel voor de regelkooi

20. Afscheiderkap
21. V-riemkap
22. Wielen
23. Typeplaatje
24. Straalkop met afdichtingen
25. Afscheiderbak
26. Controlekast
27. Bedieningshandleiding

Symbolen op het product



Waarschuwing: Dit product kan gevaarlijk zijn en ernstig of fataal letsel toebrengen aan de gebruiker of anderen. Wees voorzichtig en gebruik het product op de juiste manier.



Hoogspanning.



Houd alle lichaamsdelen uit de buurt van hete oppervlakken.



Hijspunt.



Houd handen uit de buurt van draaiende onderdelen.



Lees de handleiding goed door en zorg dat u de instructies hebt begrepen voordat u het product gebruikt.



Gebruik goedgekeurde ademhalingsbescherming.



Gebruik goedgekeurde gehoorbescherming.



Gebruik goedgekeurde oogbescherming.



Draag goedgekeurde veiligheidshandschoenen.



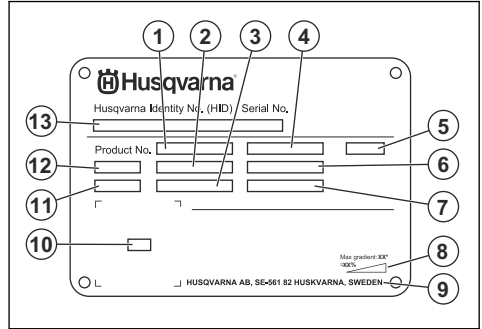
Draag goedgekeurde veiligheidslaarzen.



Dit product voldoet aan de geldende EU-richtlijnen.

Let op: Overige op het product aangebrachte symbolen/plaatjes verwijzen naar specifieke eisen aan certificering voor bepaalde markten.

Typeplaatje



1. Productnummer
2. Gewicht van het product
3. Nominale vermogen
4. Nominale spanning
5. Behuizing
6. Nominale stroom
7. Frequentie
8. Maximale hellingshoek
9. Fabrikant
10. Scanbare code
11. Bouwjaar
12. Model
13. Serienummer

Productaansprakelijkheid

Zoals uiteengezet in de wet voor productaansprakelijkheid zijn wij niet aansprakelijk voor schade die door ons product wordt veroorzaakt, indien:

- het product niet goed is gerepareerd.
- het product is gerepareerd met onderdelen die niet van de fabrikant afkomstig zijn, of onderdelen die niet zijn goedgekeurd door de fabrikant.
- het product een accessoire bevat dat niet afkomstig is van de fabrikant of niet is goedgekeurd door de fabrikant.
- het product niet is gerepareerd door een erkend servicepunt of door een erkende autoriteit.

Veiligheid

Veiligheidsdefinities

Waarschuwingen, voorzorgsmaatregelen en opmerkingen worden gebruikt om te wijzen op belangrijke delen van de handleiding.



WAARSCHUWING: Wordt gebruikt om te wijzen op de kans op ernstig of fataal letsel voor de gebruiker of omstanders wanneer de instructies in de handleiding niet worden gevolgd.



OPGELET: Wordt gebruikt indien er een risico bestaat op schade aan het product en andere eigendommen of aan de omgeving wanneer de instructies in de handleiding niet worden gevolgd.

Let op: Geven verdere informatie die nodig is in een bepaalde situatie.

Algemene veiligheidsinstructies



WAARSCHUWING: Lees de volgende waarschuwingen voordat u het product gaat gebruiken.

- Dit product kan bij onvoorzichtig of onjuist gebruik een gevaarlijk gereedschap zijn. Dit product kan ernstig of fataal letsel toebrengen aan de gebruiker of anderen. Het is erg belangrijk dat u deze gebruiksaanwijzing leest en begrijpt voordat u dit product gaat gebruiken.
- Dit product mag niet worden gebruikt door personen (inclusief kinderen) met een lichamelijke, zintuiglijke of geestelijke beperking of gebrek aan ervaring en kennis.
- Bewaar alle waarschuwingen en instructies.
- U dient alle toepasselijke wet- en regelgeving in acht te nemen.
- De gebruiker en de werkgever van de gebruiker dienen op te hoogte te zijn van de risico's tijdens het gebruik van het product en moeten deze voorkomen.
- Zorg ervoor dat dit product alleen wordt gebruikt door personen die de inhoud van de gebruikershandleiding hebben gelezen en begrepen.
- Gebruik het product alleen als u voorafgaand aan gebruik training hebt ontvangen. Zorg ervoor dat alle gebruikers getraind worden.
- Laat het product niet door een kind bedienen.
- Het product mag alleen worden gebruikt door goedgekeurde personen.
- De gebruiker is verantwoordelijk indien ongelukken gebeuren met andere mensen of hun eigendommen.

- Gebruik het product nooit als u moe of ziek bent, of onder invloed van alcohol, drugs of medicijnen verkeert.
- Wees altijd voorzichtig en gebruik uw gezond verstand.
- Houd het product schoon. Zorg ervoor dat u de aanduidingen en stickers duidelijk kunt lezen.
- Gebruik het product niet als het beschadigd is of niet correct werkt.
- Breng geen wijzigingen aan dit product aan.
- Gebruik het product niet als de mogelijkheid bestaat dat andere personen wijzigingen aan het product hebben aangebracht.

Veiligheidsinstructies voor bediening



WAARSCHUWING: Lees de volgende waarschuwingen voordat u het product gaat gebruiken.

- Maak altijd gebruik van persoonlijke beschermingsmiddelen. Zie *Persoonlijke beschermingsuitrusting op pagina 98*.
- Overmatige blootstelling aan trillingen kan bloedvaten zenuwbeschadigingen veroorzaken bij personen met een verminderde bloedcirculatie. Consulteer een arts wanneer u symptomen heeft die wijzen op te grote blootstelling aan trillingen. Dergelijke symptomen zijn slapende vingers e.d., geen gevoel, 'kriebelend' gevoel, 'speldenprikken', pijn, geen of weinig kracht, huidverkleuringen of veranderingen van het huidoppervlak. Deze symptomen worden meestal waargenomen in de vingers, handen of polsen.
- Gebruik het product niet zonder dat alle beschermkappen zijn gemonteerd.
- Zorg ervoor dat u weet hoe u de motor in een noodsituatie snel kunt stoppen.
- Voordat u het product achterlaat, moet u de motor stopzetten en de voedingskabel afkoppelen. Zorg ervoor dat er geen risico op onbedoeld starten bestaat.
- Zorg ervoor dat er geen kleding, lang haar en sieraden vast komen te zitten in bewegende delen
- Zorg ervoor dat u stabiel en veilig staat tijdens het gebruik.
- Controleer of er geen loszittende bouten en moeren zijn.
- Til of kantel de straalkop niet tijdens bedrijf. Het straalmiddel komt op hoge snelheid uit het product en kan letsel veroorzaken. Haal altijd de stekker uit het stopcontact voordat u het product optilt of kantelt.
- Zorg ervoor dat de afscheider en afscheiderbak gesloten zijn tijdens het bedrijf.

- Gebruik het product alleen als u weet dat u hulp kunt krijgen indien zich een ongeval voordoet.
- Gebruik altijd goedgekeurde accessoires. Neem voor meer informatie contact op met uw Husqvarna-dealer.
- Als er trillingen optreden in het product of als het geluidsniveau van het product ongewoon hoog is, dient u het product onmiddellijk te stoppen. Haal de stekker uit het stopcontact. Controleer het product op schade. Repareer schade of laat een erkende servicewerkplaats de reparatie uitvoeren.
- Sluit het product altijd aan op een stofzuiger om het stof te verwijderen.
- Trek niet aan de slang van de stofzuiger. Het product kan vallen en letsel of schade veroorzaken.
- Houd de stofzuiger ingeschakeld tot de motor volledig stopt.
- Bedien het product alleen van achteren, met uw hand op de handgreep.
- Zorg ervoor dat er geen vet of olie op de handgrepen zit.
- Controleer of de borstellijstafdichtingen niet beschadigd zijn.
- Zorg ervoor dat de borstellijstafdichtingen op de correcte hoogte zijn gemonteerd.
- Gebruik altijd goedgekeurd straalmiddel. Neem voor meer informatie contact op met uw Husqvarna-dealer. Zie *Goedgekeurd straalmiddel op pagina 120*.
- Zorg ervoor dat de straalmotor de correcte draairichting heeft. De correcte draairichting wordt aangegeven door een pijl op de motorbehuizing.

onhandigheid, krachtverlies, veranderingen in huidskleur of conditie.

- Symptomen kunnen toenemen bij lage temperaturen. Gebruik warme kleding en houd uw handen warm en droog wanneer u het product in koude omgevingen gebruikt.
- Voer onderhoud uit aan en bedien het product zoals vermeld in de gebruikershandleiding, om een correct trillingsniveau te handhaven.
- Het product heeft een trillingsdempingsysteem dat de trillingen van de handgrepen naar de gebruiker vermindert. Laat het product het werk doen.
- Houd uw handen alleen op het handvat of de handgrepen. Houd alle andere lichaamsdelen uit de buurt van het product.
- Stop het product onmiddellijk als er plotseling sterke trillingen optreden. Ga niet verder met het gebruik tot de oorzaak van de toegenomen trillingen is weggenomen.

Bescherming tegen stof



WAARSCHUWING: Lees de volgende waarschuwingen voordat u het product gaat gebruiken.

- Gebruik van het product kan stof in de lucht veroorzaken. Stof kan ernstig letsel en permanente gezondheidsproblemen veroorzaken. Silicastof wordt door verschillende instanties als schadelijk beschouwd. Hieronder volgen enkele voorbeelden van dergelijke gezondheidsproblemen:
 - De fatale longaandoeningen chronische bronchitis, silicose en longfibrose
 - Kanker
 - Geboortefwijkingen
 - Huidontsteking
- Gebruik de juiste apparatuur om de hoeveelheid stof en dampen in de lucht te verminderen en om stof op werkkleding, oppervlakken, kleding en lichaamsdelen te verminderen. Voorbeelden van voorzieningen zijn stofopvangsystemen. Verminder waar mogelijk stof bij de bron. Zorg ervoor dat de apparatuur correct wordt geïnstalleerd en gebruikt en dat er regelmatig onderhoud wordt uitgevoerd.
- Gebruik goedgekeurde ademhalingsbescherming. Zorg ervoor dat adembescherming wordt gebruikt bij gevaarlijke materialen in het werkgebied.
- Zorg ervoor dat er toereikende ventilatie in het werkgebied is.

Trillingsveiligheid



WAARSCHUWING: Lees de volgende waarschuwingen voordat u het product gaat gebruiken.

- Tijdens het gebruik van het product gaan trillingen van het product naar de gebruiker. Regelmatig en frequent gebruik van het product kan letsel bij de gebruiker veroorzaken of verergeren. Letsel kan optreden in vingers, handen, polsen, armen, schouders en/of zenuwen en bloedsomloop of andere lichaamsdelen. Het letsel kan slepend en/of blijvend zijn, en het kan geleidelijk toenemen in de loop van weken, maanden of jaren. Het letsel kan bestaan uit schade aan het bloedcirculatiesysteem, het zenuwstelsel, de gewrichten en andere lichaamsstructuren.
- Symptomen kunnen zich voordoen tijdens het gebruik van het product of op andere momenten. Als u symptomen hebt en het product blijft gebruiken, kunnen de symptomen toenemen of permanent worden. Als deze of andere symptomen zich voordoen, neem dan medische hulp:
 - Verstijving, gevoelloosheid, tintelingen, prikken, pijn, een brandend gevoel, kloppen, stijfheid,



WAARSCHUWING: Lees de volgende waarschuwingen voordat u het product gaat gebruiken.

- Hoge geluidsniveaus en langdurige blootstelling aan lawaai kunnen gehoorverlies veroorzaken.

- Om het geluidsniveau tot een minimum te beperken, moet u het product onderhouden en bedienen zoals beschreven in de gebruikershandleiding.
- Gebruik goedgekeurde gehoorbescherming wanneer u het product gebruikt.
- Let op alarmsignalen en luide stemmen wanneer u gehoorbescherming gebruikt. Verwijder de gehoorbescherming wanneer het product is gestopt, tenzij gehoorbescherming nodig is voor het geluidsniveau in de werkomgeving.

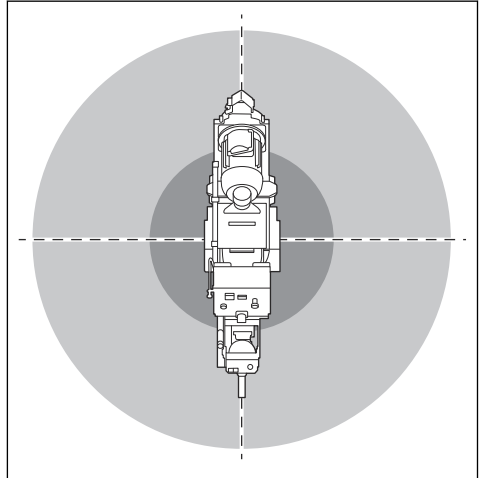
- Kijk uit voor personen, objecten en situaties die een veilig gebruik van het product kunnen verhinderen.
- Gebruik het product niet in gebieden waar brand of explosies kunnen optreden. Het product creëert vonken, en ontvlambaar materiaal kan met het stof of de dampen ontbranden.
- Houd kinderen, omstanders en dieren weg van het werkgebied en op veilige afstand van het product. Een veilige afstand is 5 m.

Persoonlijke beschermingsuitrusting



WAARSCHUWING: Lees de volgende waarschuwingen voordat u het product gaat gebruiken.

- Draag tijdens het gebruik van het product altijd goedgekeurde persoonlijke beschermingsuitrusting. Persoonlijke beschermingsuitrusting kunnen niet alle risico's uitsluiten maar kunnen de ernst van eventueel letsel helpen beperken. Vraag uw dealer u te helpen bij het kiezen van de juiste persoonlijke beschermingsmiddelen en wanneer u deze moet gebruiken.
- Controleer regelmatig de toestand van uw persoonlijke beschermingsmiddelen.
- Gebruik goedgekeurde gehoorbescherming.
- Gebruik goedgekeurde ademhalingsbescherming.
- Gebruik goedgekeurde oogbescherming met zijbescherming.
- Draag veiligheidshandschoenen.
- Gebruik laarzen met stalen neus en antislipzool.
- Gebruik goedgekeurde werkkleding of gelijkwaardige nauwsluitende kleding met lange mouwen en lange broekspijpen.



- Houd omstanders en dieren weg van het werkgebied en op veilige afstand van het product.
- Zorg ervoor dat er alleen goedgekeurde personen in het werkgebied zijn.
- Zorg ervoor dat het werkgebied schoon en volledig verlicht is. In rommelige of donkere gebieden gebeuren eerder ongelukken.
- Verwijder objecten zoals schroeven, bouten, draden en stenen uit het werkgebied voordat u het product gaat gebruiken.
- Zorg ervoor dat er geen kabels of slangen in de werkrichting van het product zijn.
- Let erop dat het product niet wordt belemmerd door ongelijke vloerdelen, zoals lasnaden of vloerverbindingen.
- Zorg ervoor dat er een voldoende luchtstroom op de werkplek is.

Brandblusser

- Zorg dat er een brandblusser in de buurt is tijdens het gebruik van dit product.
- Gebruik een poederblusser of een kooldioxidebrandblusser.

Veiligheid van het werkgebied



WAARSCHUWING: Lees de volgende waarschuwingen voordat u het product gaat gebruiken.

- Het is de verantwoordelijkheid van de gebruiker om het te behandelen oppervlak aan een analyse te onderwerpen. De gebruiker wordt geacht een risicoanalyse te maken op basis van de gegevens die over het te behandelen oppervlak zijn verkregen en dient passende voorzorgsmaatregelen te treffen.
- Gebruik het product niet bij mist, regen, harde wind, koud weer, risico op blikseminslag of andere slechte weersomstandigheden.

Elektrische veiligheid



WAARSCHUWING: Er is altijd kans op schokken van elektrische producten. Gebruik het product niet bij slecht weer. Raak geen bliksemafleiders en metalen voorwerpen aan. Gebruik het product altijd zoals in deze bedieningshandleiding wordt beschreven om letsel te voorkomen.



WAARSCHUWING: Gebruik altijd een voeding met aardlekschakelaar. Een aardlekschakelaar vermindert de kans op een elektrische schok.



WAARSCHUWING: Hoogspanning. Er bevinden zich onbeschermde onderdelen in de voedingseenheid. Haal altijd de stekker uit het stopcontact voordat u de deur van het regelkastje opent.



OPGELET: De voeding van het product of de generator moet krachtig genoeg en constant zijn om de motor probleemloos te kunnen laten werken. Een onjuiste spanning heeft tot gevolg dat het stroomverbruik en de temperatuur van de motor toenemen totdat het veiligheidscircuit wordt geactiveerd. De specificaties van de voedingskabel moeten overeenstemmen met de nationale en lokale voorschriften. De specificaties van het stopcontact moeten overeenstemmen met de stroomsterkte voor het stopcontact en de verlengkabel van het product.

Als het elektriciteitsnet een hogere systeemweerstand heeft, kan er kort spanningsverlies optreden wanneer het product wordt gestart. Dit kan invloed hebben op de werking van andere producten en bijvoorbeeld flikkerende lichten veroorzaken.

- De voedingsstekker moet geschikt zijn voor het betreffende stopcontact. Wijzig nooit de stekker. Gebruik nooit een adapterstekker in combinatie met geaarde elektrische gereedschappen. Ongewijzigde stekkers en overeenkomende stopcontacten verkleinen het risico op elektrische schokken.
- Vermijd lichamelijk contact met geaarde oppervlakken, zoals buizen, radiatoren, fornuizen en koelkasten. Er is een verhoogd risico op elektrische schokken als uw lichaam geaard is.
- Controleer of de spanning van het elektriciteitsnet en de zekering overeenkomt met de spanning die wordt aangegeven op het productplaatje van het product.
- Stop het product altijd voordat u de stekker uit het stopcontact haalt.
- Zorg ervoor dat de ON/OFF-schakelaar in de OFF-stand staat en dat het product is aangesloten op een voedingsbron.
- Haal de voedingsstekker altijd uit het stopcontact als het product langere tijd niet wordt gebruikt.
- Gebruik het product niet als de voedingskabel of de stekker beschadigd is. Als de voedingskabel is beschadigd, moet deze om gevaar te vermijden, worden vervangen door de fabrikant,

de servicewerkplaats van de fabrikant of een gelijkwaardig gekwalificeerd persoon. Een beschadigde voedingskabel kan ernstig letsel en de dood veroorzaken.

- Gebruik de voedingskabel op de juiste manier. Gebruik de voedingskabel niet om het product te verplaatsen, te trekken of los te koppelen. Trek aan de stekker om de voedingskabel los te koppelen. Trek niet aan de voedingskabel.
- Gebruik het product alleen op droge oppervlakken.
- Stel het product niet bloot aan regen. Water dat het product binnendringt, verhoogt het risico op elektrische schokken.
- Verwijder de voedingskabel altijd voordat u de verbinding voor de motorkabel en de controlekast aansluit of loskoppelt.
- Om gevaar vanwege onbedoeld resetten van de thermische uitschakeling te voorkomen, mag het apparaat niet worden gevoed via een extern schakelapparaat, zoals een timer, en mag het niet aangesloten worden op een circuit dat regelmatig in- en uitgeschakeld wordt door het nutsbedrijf.
- Zorg ervoor dat de voeding voor het product wordt geleverd door afzonderlijke voedingseenheden die alleen voor industrieel gebruik bedoeld zijn.

Instructies voor geaard product



WAARSCHUWING: Een verkeerde aansluiting kan leiden tot elektrische schokken. Raadpleeg een erkende elektricien als u niet zeker weet of de contactdoos van het elektriciteitsnet correct geaard is.

Breng geen wijzigingen aan de stekker aan ten opzichte van de fabrieksspecificatie. Als de stekker of de voedingskabel beschadigd is of moet worden vervangen, raadpleeg dan uw Husqvarna-servicewerkplaats. Volg de lokale regel- en wetgeving.

Neem contact op met een erkende elektricien als u de instructies over het geaarde product niet volledig begrijpt.

Gebruik alleen geaarde verlengkabels voor buitengebruik met geaarde stekkers en geaarde contactdozen die geschikt zijn voor de stekker van het product.

Het product heeft een geaarde voedingskabel en een geaarde stekker. Sluit het product altijd aan op een geaard stopcontact. Dit vermindert de kans op een elektrische schok.

Gebruik geen adapters in combinatie met het product.

Verlengkabels

- Gebruik alleen goedgekeurde verlengkabels met geschikte eigenschappen.

- De markering op de verlengkabel moet gelijk zijn aan of hoger zijn dan de waarde op het productplaatje van het product.
- Gebruik geaarde verlengkabels.
- Gebruik een verlengkabel die geschikt is voor gebruik buitenshuis wanneer u buiten werkt met het product. Dit vermindert de kans op een elektrische schok.
- Houd de aansluiting op de verlengkabel droog en zorg dat deze de grond niet raakt.
- Houd de verlengkabel uit de buurt van hitte, olie, scherpe randen en bewegende delen. Een beschadigde kabel verhoogt het risico op elektrische schokken.
- Controleer of de verlengkabel in goede staat verkeert en niet beschadigd is.
- Gebruik de verlengkabel niet in opgerolde toestand. Daardoor kan de kabel oververhit raken.
- Zorg ervoor dat de verlengkabel tijdens het bedrijf niet in de weg ligt en zich niet bij het product bevindt. Zo voorkomt u dat de verlengkabel beschadigd raakt.

Veiligheidsvoorzieningen op het product



WAARSCHUWING: Lees de volgende waarschuwingen voordat u het product gaat gebruiken.

- Gebruik het product niet als de veiligheidsvoorzieningen niet in goede staat zijn.
- Controleer de veiligheidsvoorzieningen dagelijks. Als uw veiligheidsvoorzieningen beschadigd zijn of niet in goede staat, spreek dan met uw Husqvarna-servicewerkplaats.
- Voer geen veranderingen uit aan de veiligheidsvoorzieningen

Noodstopknop

De noodstopknop wordt gebruikt om de motor snel te stoppen.

De noodstopknop controleren

Raadpleeg *Productoverzicht op pagina 94* voor informatie over de locatie van de noodstopknop op uw product.

1. Draai de noodstopknop rechtsom om ervoor te zorgen dat de noodstopknop wordt uitgeschakeld.
2. Start het product. Zie *Product starten op pagina 107*.
3. Druk op de noodstopknop.
4. Zorg ervoor dat de motor stopt.
5. Draai de noodstopknop rechtsom om deze uit te schakelen.

Ampèremeter

De ampèremeter geeft de straallading op het oppervlak weer. De maximale ampère staat boven de ampèremeter.

Ampèremeter controleren

Zie *Productoverzicht op pagina 94* voor informatie over de locatie van de ampèremeter op uw product.

1. Start het product. Zie *Product starten op pagina 107*.
2. Wacht tot de ampèremeter in stationaire stand is.
3. Stop het product. Zie *Product stoppen op pagina 110*.

ON/OFF-knoppen van de straalmotor

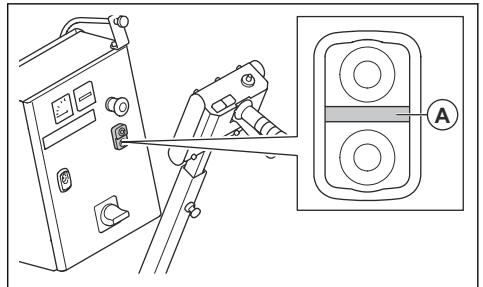
De ON/OFF-knoppen van de straalmotor worden gebruikt om de straalmotor te starten en te stoppen.

Zie *De ON/OFF-knop voor de straalmotor checken op pagina 100*.

De ON/OFF-knop voor de straalmotor checken

Zie *Productoverzicht op pagina 94* voor informatie over de locatie van de ON/OFF-knoppen op uw product.

1. Draai de noodstopknop rechtsom om ervoor te zorgen dat de noodstopknop wordt uitgeschakeld.
2. Start het product. Zie *Product starten op pagina 107*.
3. Druk op de ON-knop van de straalmotor.
4. Controleer of de motor start en het lampje (A) gaat branden.



5. Stop de motor. Zie *Product stoppen op pagina 110*.
6. Controleer of de motor stopt als u op de OFF-knop drukt.

ON/OFF-schakelaar

De ON/OFF-schakelaar wordt gebruikt om de voeding naar het product te starten en te stoppen.

De ON/OFF-schakelaar controleren

Zie *Productoverzicht op pagina 94* voor informatie over de locatie van de ON/OFF-schakelaar op uw product.

1. Draai de noodstopknop rechtsom om ervoor te zorgen dat de noodstopknop wordt uitgeschakeld.

2. Zet de ON/OFF-schakelaar in de stand ON.
3. Controleer of de voeding wordt gestart.
4. Draai de ON/OFF-schakelaar naar de stand OFF.
5. Controleer of de voeding wordt gestopt.

Veiligheidsinstructies voor onderhoud



WAARSCHUWING: Lees de volgende waarschuwingen voordat u het product gaat gebruiken.

- Voer alleen onderhoud uit zoals beschreven in deze bedieningshandleiding. Laat een goedgekeurde servicewerkplaats alle andere onderhoudswerkzaamheden uitvoeren.
- Als het onderhoud niet correct en regelmatig wordt uitgevoerd, neemt de kans op letsel of schade aan het product toe.
- Maak het product schoon om gevaarlijk materiaal te verwijderen voordat u het onderhoud uitvoert.

- Zorg ervoor dat u onderhoudswerkzaamheden aan het product uitvoert op een stabiele, horizontale ondergrond. Zorg ervoor dat het product niet kan bewegen.
- Breng geen wijzigingen aan het product aan. Wijzigingen aan het product die niet zijn goedgekeurd door de fabrikant, kunnen leiden tot ernstig letsel of overlijden.
- Vervang beschadigde, versleten of defecte onderdelen.
- Reinig het product niet met een hogedrukspuit.
- Gebruik alleen niet-pluizende reinigingsdoeken.
- Gebruik altijd originele accessoires en reserveonderdelen. Accessoires en wijzigingen die niet zijn goedgekeurd door de fabrikant, kunnen leiden tot ernstig letsel of overlijden.
- Controleer na onderhoud het trillingsniveau in het product. Als dit niet correct is, neemt u contact op met een erkende servicewerkplaats.
- Laat een erkende servicewerkplaats regelmatig onderhoud aan het product uitvoeren.

Werking

Inleiding



WAARSCHUWING: Voordat u het product gaat gebruiken, dient u het hoofdstuk over veiligheid te lezen en hebben begrepen.

Voordat u het product gebruikt

1. Lees de gebruikershandleiding zorgvuldig door en zorg dat u de instructies hebt begrepen.
2. Lees de gebruikershandleiding voor de stofzuiger zorgvuldig door en zorg dat u de instructies hebt begrepen.
3. Als het product wordt gebruikt in combinatie met een voedingsbron, moet u ervoor zorgen dat u de bedieningshandleiding van die voedingsbron hebt gelezen en begrepen.
4. Maak altijd gebruik van persoonlijke beschermingsmiddelen. Zie *Persoonlijke beschermingsuitrusting op pagina 98*.
5. Zorg ervoor dat er alleen goedgekeurde personen in het werkgebied zijn.
6. Voer dagelijks onderhoud uit. Zie *Onderhoudsschema op pagina 111*.
7. Controleer of het product goed gemonteerd en niet beschadigd is.
8. Controleer of alle bouten, schroeven en moeren goed zijn vastgedraaid.

9. Controleer of het straalwiel, de straalpijp, de voeringen en afdichting niet beschadigd of versleten zijn. Vervang de onderdelen als 75% van de bladikte afgesleten is.
10. Controleer of de afscheider niet beschadigd is.
11. Controleer of de afscheider tot de afscheiderbak gevuld is met straalmiddel.
12. Plaats het product in het werkgebied. Controleer of het oppervlak vlak is. Zorg ervoor dat het vervoer van het product naar en in het werkgebied veilig en correct wordt uitgevoerd. Zie *Vervoer, opslag en verwerking op pagina 116*.
13. Sluit een stofzuiger aan op het product. Zie *Stofzuiger aansluiten op pagina 106*.
14. Zorg ervoor dat de ON/OFF-schakelaar in de stand OFF staat voordat u het product op een voeding aansluit.
15. Sluit het product aan op een stroombron. Zie *Het product op een stroombron aansluiten op pagina 106*.
16. Zorg ervoor dat de borstellijstafdichtingen zich op de correcte hoogte bevinden. Zie *De hoogte van de borstellijstafdichtingen aanpassen op pagina 105*.
17. Zorg ervoor dat de magnetische afdichtingen zich op de correcte hoogte bevinden. Zie *De hoogte van de magnetische afdichtingen aanpassen op pagina 104*.

Aandrijfsysteem

Het aandrijfsysteem wordt tijdens het bedrijf gebruikt en zorgt ervoor dat het product met het tractiewiel verplaatst kan worden. Zie *Het product verplaatsen met het aandrijfsysteem op pagina 117*.

Schakel het aandrijfsysteem altijd in tijdens het bedrijf.

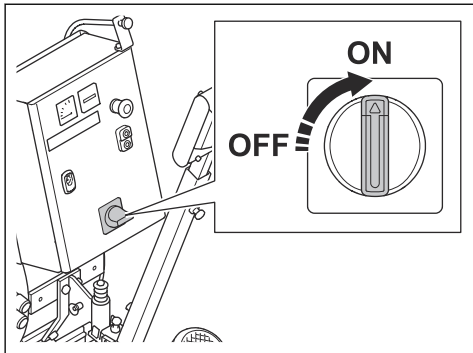
Het aandrijfsysteem inschakelen



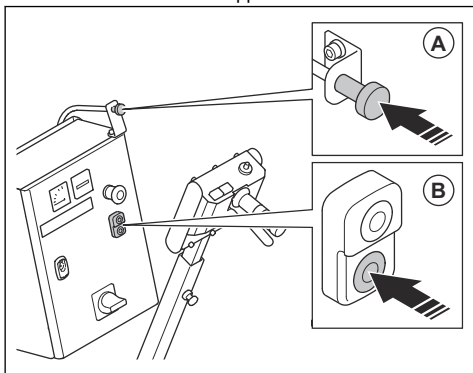
WAARSCHUWING: Houd uw handen uit de buurt van draaiende onderdelen. Wees zeer voorzichtig als u de snelontgrendelingspin bevestigt.

Monteer de snelontgrendelingspin om het aandrijfsysteem in te schakelen. De snelontgrendelingspin bevindt zich boven het tractiewiel. Zie *Productoverzicht op pagina 94*.

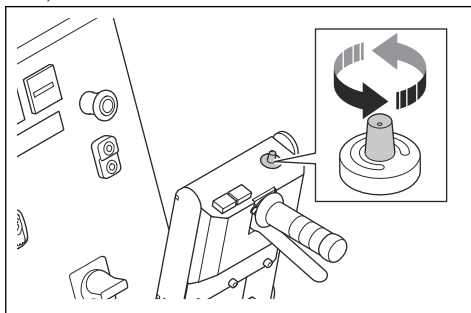
1. Zet de ON/OFF-schakelaar in de stand ON.



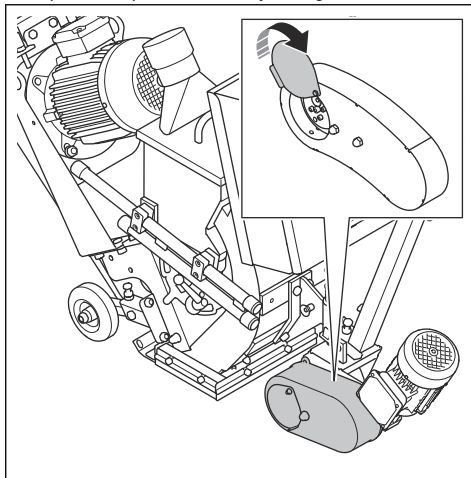
2. Duw tegen de straalmiddelcontrolekabel (A) om het doseerventiel te sluiten. Druk op de OFF-knop (B) om de straalmotor te stoppen.



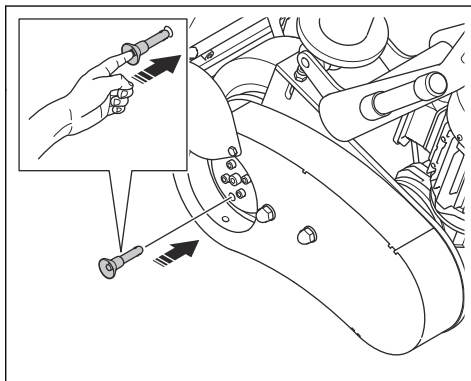
3. Zet de rijsnelheid op de laagst mogelijke stand, ca. 0,5.



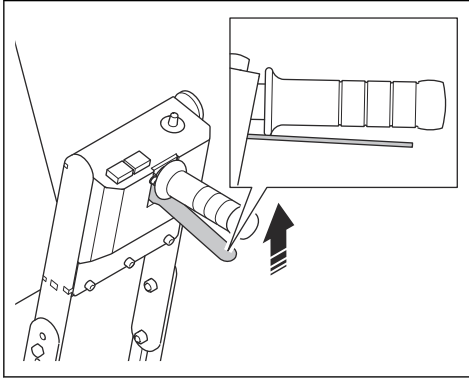
4. Open de kap van de aandrijfketting.



5. Monteer de snelontgrendelingspin. Duw de snelontgrendelingspin in met een vinger en houd deze vast.

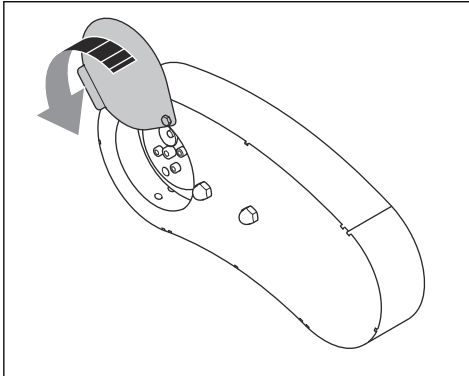


6. Gebruik uw andere hand om de hendel van het aandrijfsysteem te bedienen.



De snelontgrendelingspin wordt in positie vergrendeld als het aandrijfsysteem is ingeschakeld.

7. Sluit de kap van de aandrijfketting.



8. Het aandrijfsysteem uitschakelen, zie *Het aandrijfsysteem uitschakelen op pagina 103*.

Het aandrijfsysteem uitschakelen

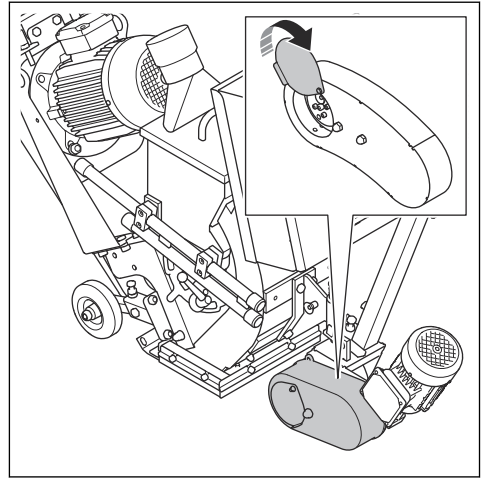


OPGELET: Schakel het aandrijfsysteem alleen uit als het product op een vlakke ondergrond is geparkeerd.

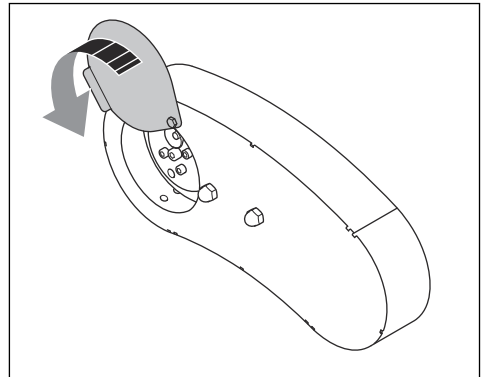
Als het nodig is om het product met de hand te verplaatsen terwijl de motor uitgeschakeld is, moet het aandrijfsysteem worden uitgeschakeld. Verwijder de snelontgrendelingspin om het aandrijfsysteem uit te schakelen.

1. Parkeer het product op een vlakke ondergrond en stop het product.
2. Ontkoppel de voeding.

3. Open de kap van de aandrijfketting.



4. Trek de snelontgrendelingspin eruit.
5. Zet de snelontgrendelingspin in de opslagstand.
6. Sluit de kap van de aandrijfketting.



Doseerventiel

Het magnetische doseerventiel regelt de stroom van de straalmiddelstraal naar het straalwiel. De afstelling van het doseerventiel staat op de ampèremeter. Zie *Ampèremeter op pagina 100*.

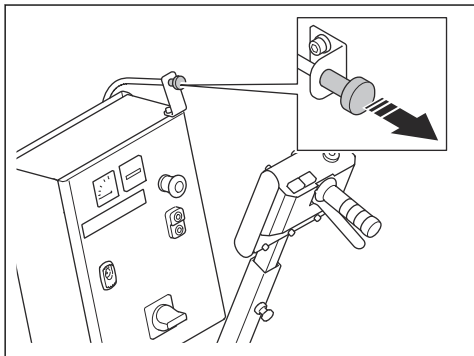
Het doseerventiel wordt afgesteld met de straalmiddelcontrolekabel. Zie *Het doseerventiel bedienen op pagina 103*.

Het doseerventiel bedienen

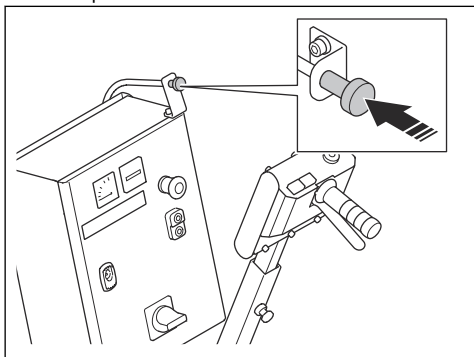


OPGELET: Open het doseerventiel alleen als de straalmotor in bedrijf is.

1. Trek aan de straalmiddelcontrolekabel om het doseerventiel te openen en de stroom van de straalmiddelstralen af te stellen.



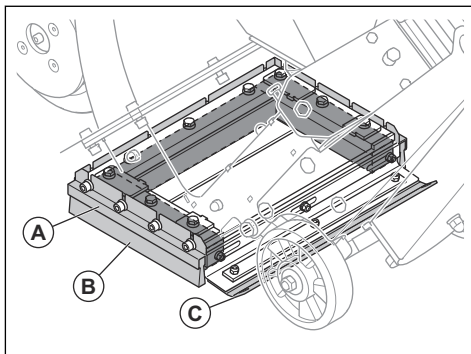
2. Duw tegen de straalmiddelcontrolekabel om het doseerventiel te sluiten en de straalmiddelstroom aan te passen.



Straalmiddelafdichting

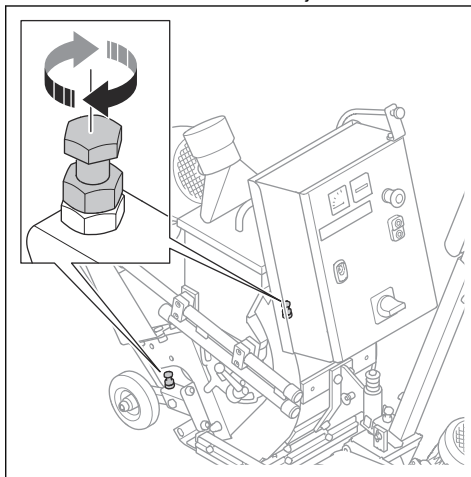
De straalmiddelafdichting zorgt ervoor dat het straalmiddel tijdens het bedrijf in het product blijft. De straalmiddelafdichting heeft magnetische afdichtingen (A) aan de zijkanten en aan de voorkant van de straalbehuizing. Rond de magnetische afdichtingen zijn borstellijsten (B) bevestigd.

De glijafdichting (C) beweegt over het oppervlak.

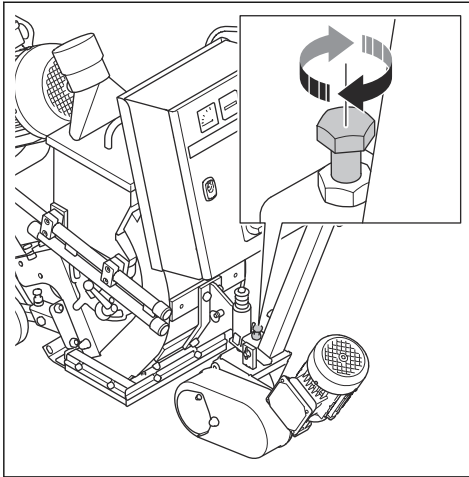


De hoogte van de magnetische afdichtingen aanpassen

1. Draai de twee afstelschroeven bij achterwielen los.



2. Draai de afstelschroef bij het voorwiel los.

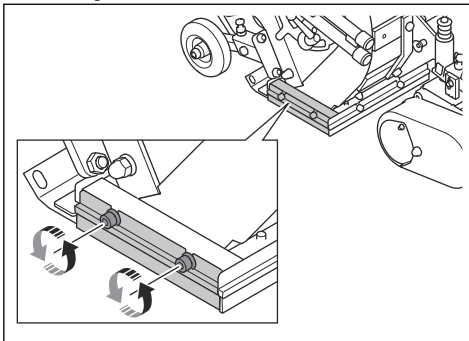


3. Stel de hoogte af tot de magnetische afdichtingen 8-10 mm van het oppervlak zijn.
4. Draai de schroeven vast.

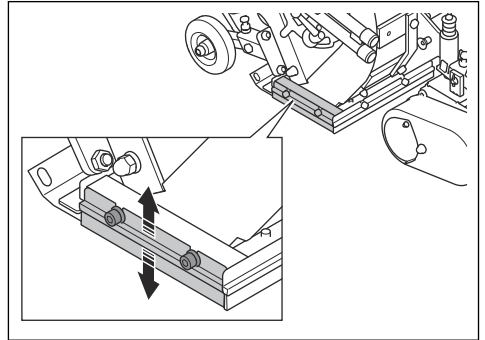
De hoogte van de borstellijstafdichtingen aanpassen

De borstellijstafdichtingen slijten als u het product gebruikt. Het is noodzakelijk om de hoogte van de borstellijstafdichtingen regelmatig aan te passen.

1. Draai de twee schroeven waarmee de borstellijst is bevestigd los.



2. Pas de hoogte van de borstellijst aan tot de borstellijst 1 mm boven het oppervlak is.



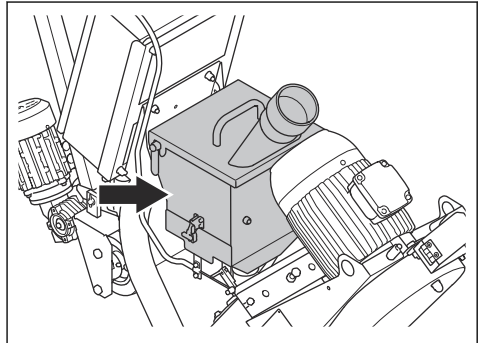
3. Draai de 2 schroeven vast.

Abrasief

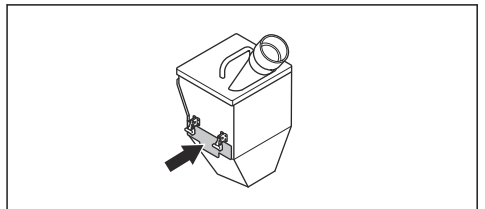
Neem contact op met uw Husqvarna-dealer om het correcte straalmiddel voor uw oppervlakbehandeling te selecteren. Zie *Goedgekeurd straalmiddel op pagina 120*.

Straalmiddelafscheider

De straalmiddelafscheider zorgt ervoor dat het straalmiddel vrij is van verontreiniging. Het straalmiddel bevindt zich in de straalmiddelafscheider, die het straalwiel van straalmiddel voorziet.



De afscheiderbak zorgt ervoor dat er geen vuil bij het straalmiddel en het straalwiel komt.

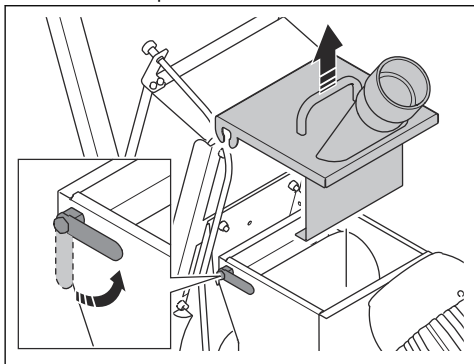


Het product met straalmiddel vullen

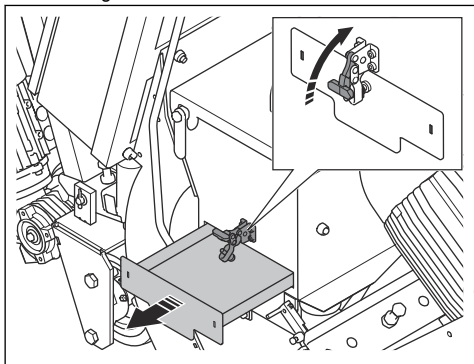


WAARSCHUWING: Gebruik altijd persoonlijke beschermingsmiddelen wanneer u het product gebruikt. Zie *Persoonlijke beschermingsuitrusting op pagina 98*.

1. Sluit het doseerventiel. Zie *Het doseerventiel bedienen op pagina 103*.
2. Ontgrendel de kap en til de hendel omhoog om de afscheider te openen.



3. Open de afscheiderbak en verwijder alle verontreinigingen als u het straalmiddel vult of als dat nodig is.



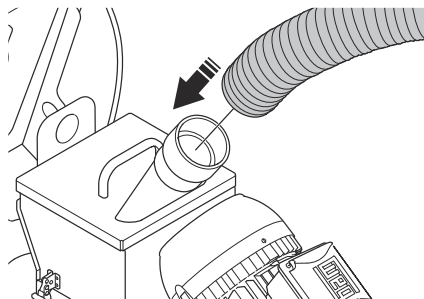
4. Vul de afscheider tot aan de afscheiderbak met straalmiddel. Vul straalmiddel als dat nodig is.

Stofzuiger aansluiten



WAARSCHUWING: Gebruik de stofzuiger niet als de slang ervan beschadigd is. U loopt in dat geval meer risico dat u stof inademt dat schadelijk is voor uw gezondheid. Gebruik goedgekeurde ademhalingsbescherming.

1. Controleer de slang van de stofzuiger op schade.
2. Controleer of de filters in de stofzuiger schoon en onbeschadigd zijn.
3. Sluit de slang van de stofzuiger veilig aan op de aansluiting voor de stofzuiger. Sluit de bevestigde delen aan met het meegeleverde gereedschap en industriële tape.

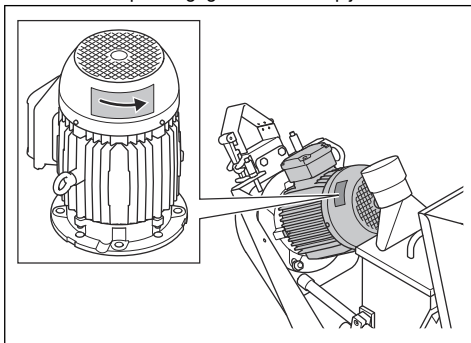


Het product op een stroombron aansluiten

1. Sluit de voedingsstekker van het product aan op een geaard stopcontact of een andere stroombron.
2. Controleer of de netspanning overeenkomt met de spanning die is aangegeven op het productplaatje op het product.

De draairichting van de motor controleren

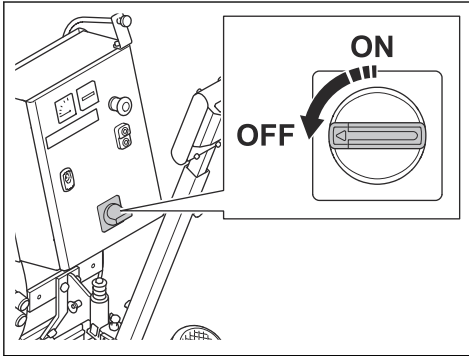
1. Start het product. Zie *Product starten op pagina 107*.
2. Stop het product na enkele seconden. Zie *Product stoppen op pagina 110*.
3. Controleer of de straalmotor de correcte draairichting heeft. De correcte richting wordt bovenop de ventilatorkap weergegeven met een pijl.



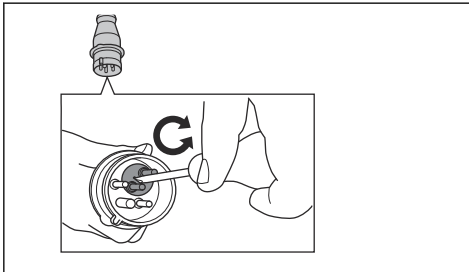
4. Wijzig de rotatierichting van de motor als dat nodig is. Zie *De draairichting van de motor veranderen (alleen 3-fase)* op pagina 107.

De draairichting van de motor veranderen (alleen 3-fase)

1. Draai de ON/OFF-schakelaar naar de stand OFF.



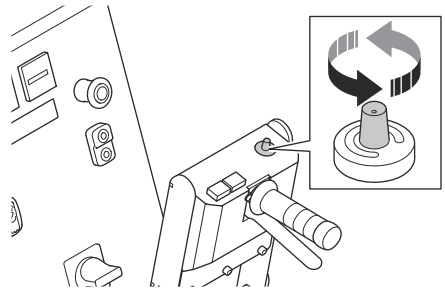
2. Wacht tot het product volledig is gestopt.
3. Koppel de verlengkabel los van de voedingsstekker op het product.
4. Draai de omkeerschakelaar in de voedingsstekker op het product naar de tegenoverliggende stand.



5. Sluit het snoer aan en controleer de rotatierichting van de motor. Zie *De draairichting van de motor controleren* op pagina 106.

Het correcte toerental selecteren

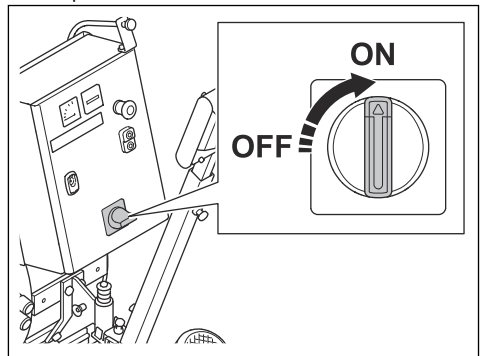
Voor het beste resultaat is het belangrijk om te werken met het juiste aandrijftoerental. Als het oppervlak verschillende kwaliteiten heeft, moet het aandrijftoerental worden afgesteld voor een gelijkmatig resultaat. Beoordeel het resultaat en stel het toerental indien nodig af.



- Draai de toerentalregelingsknop rechtsom om het toerental te verhogen.
- Draai de toerentalregelingsknop linksom om het toerental te verlagen.
 - a) Gebruik op betonoppervlakken aandrijftoerental 6-10 voor lichte behandeling.
 - b) Gebruik op betonoppervlakken aandrijftoerental 0-5 voor zware behandeling.
 - c) Gebruik op staaloppervlakken aandrijftoerental 0-2.

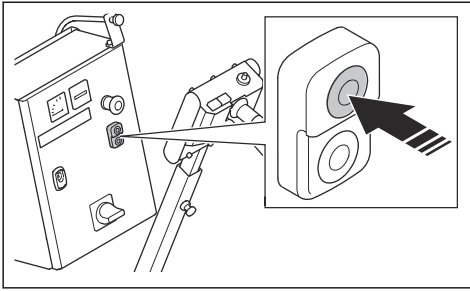
Product starten

1. Sluit het product aan op een voeding. Zie *Het product op een stroombron aansluiten* op pagina 106.
2. Start de stofzuiger. Raadpleeg de bedieningshandleiding van de stofzuiger.
3. Bevestig de stofzuigerslang aan het product. Zie *Stofzuiger aansluiten* op pagina 106.
4. Draai de noodstopknop rechtsom om ervoor te zorgen dat de noodstopknop wordt uitgeschakeld.
5. Zet de ON/OFF-schakelaar op de controlekast in de ON-positie.

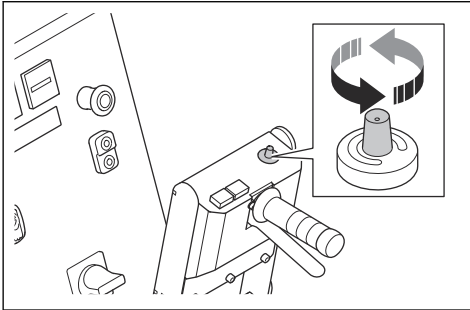


6. Schakel het aandrijfsysteem in. Zie *Het aandrijfsysteem inschakelen* op pagina 102.

- Druk op de ON-knop om de straalmotor te starten.



- Wacht tot de ampèremeter in stationaire stand is.
- Controleer of de draairichting van de straalmotor correct is. Zie *De draairichting van de motor controleren op pagina 106*.
- Draai de toerentalregelknop om het aandrijftoerental in te stellen.



Het product gebruiken



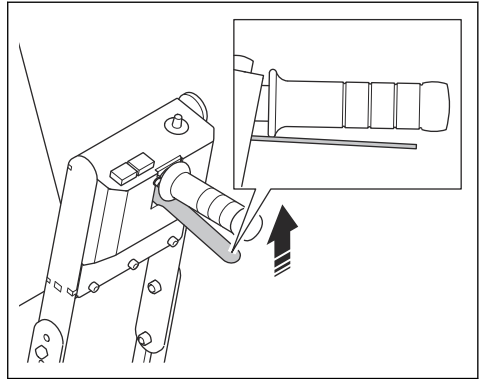
WAARSCHUWING: Dit product is uitsluitend bedoeld voor achteruitrijden. Beweeg het product niet voorwaarts tijdens het bedrijf.



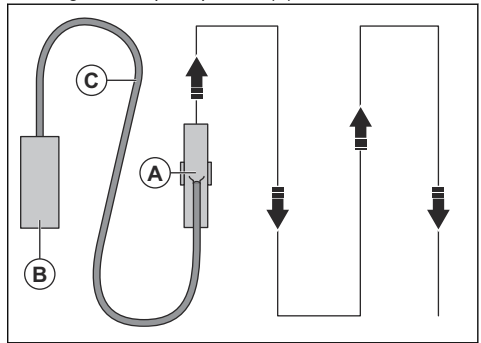
WAARSCHUWING: Til de straalbehuizing niet op tijdens het bedrijf. Het straalmiddel komt op hoge snelheid uit het product en kan letsel veroorzaken.

- Zorg ervoor dat het werkgebied veilig is. Zie *Veiligheid van het werkgebied op pagina 98*.
- Vul de straalmiddelfascheider met straalmiddel. Vul de afscheider met straalmiddel als dat nodig is. Zie *Het product met straalmiddel vullen op pagina 106*.
- Start het product. Zie *Product starten op pagina 107*.
- Schakel het aandrijfsysteem in. Zie *Het aandrijfsysteem inschakelen op pagina 102*.

- Bedien de hendel van het aandrijfsysteem.

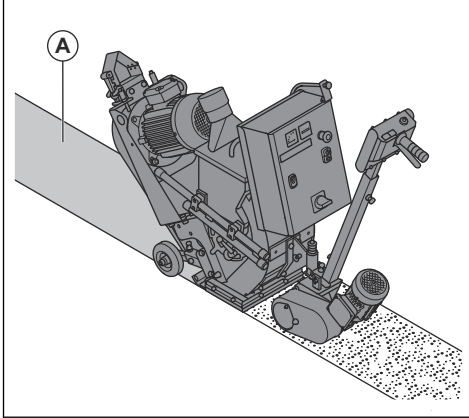


- Trek de straalmiddelregelhendel om het doseerventiel te openen. Zie *Het doseerventiel bedienen op pagina 103*.
- Na 2 m moet het doseerventiel worden gesloten en moet het product worden gestopt.
- Controleer het straalpatroon. Stel het straalpatroon zo nodig af. Zie *Het straalpatroon afstellen op pagina 109*.
- Selecteer het correcte toerental. Zie *Het correcte toerental selecteren op pagina 107*.
- Beweeg het product (A) in parallelle banen. De stofzuiger (B) moet via de stofzuigerslang (C) zijn aangesloten op het product (A).



Straalpatroon

Het straalpatroon (A) is het oppervlak dat behandeld is.



Voor een goed resultaat moet de hotspot zich in het midden van het straalpatroon bevinden. Als de hotspot zich te ver naar links of rechts bevindt, draait u de regelkooi. Zie *Het straalpatroon afstellen op pagina 109*.

Dit zijn de omstandigheden die van invloed zijn op het straalpatroon:

- De draairichting van het straalwiel is correct.
- Verhoogde slijtage van straalwiel, rotor en regelkooi.
- De afmetingen van het straalmiddel. Het straalpatroon moet worden afgesteld als u de afmetingen wijzigt.
- De positie van het zijvenster van de regelkooi.
- Verschillende soorten en hardheden van het oppervlak.

Het straalpatroon afstellen



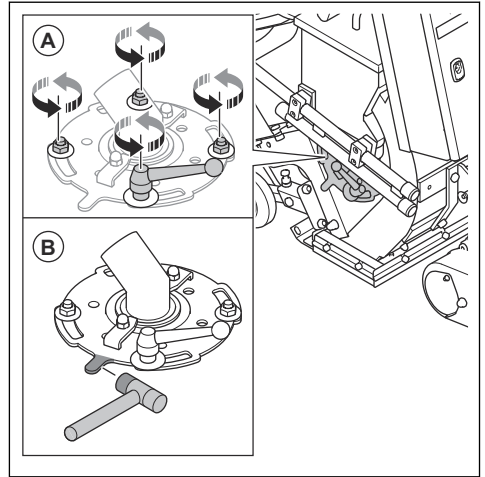
WAARSCHUWING: De kooiklemmen, de straalpijp en het straalwiel mogen niet worden afgesteld, losgemaakt of aangeraakt worden als het product ingeschakeld is. Koppel de voeding los als u het straalpatroon afstelt.



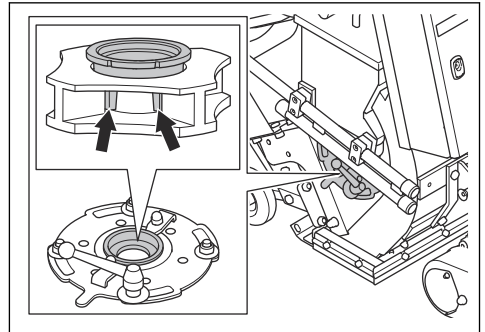
WAARSCHUWING: Draag persoonlijke beschermingsmiddelen als u het straalpatroon afstelt. Zie *Persoonlijke beschermingsuitrusting op pagina 98*.

1. Haal de stekker uit het stopcontact.

2. Draai de 3 moeren en de afstelhendel (A) los.

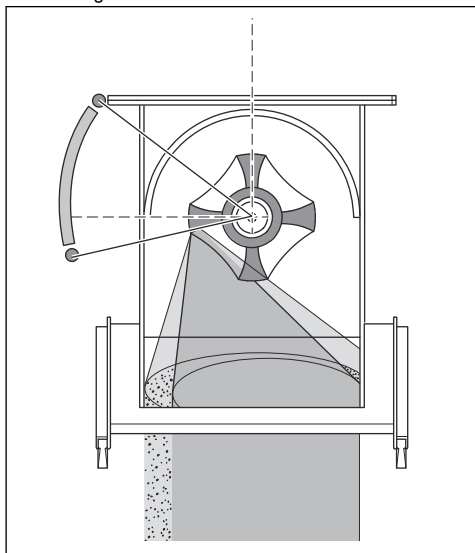


3. Sla met een rubberen hamer op de straalwielkap om het straalpatroon (B) af te stellen.
4. Als u de straalwielkap draait, kunt u de locatie van het regelkooivenster aanpassen.

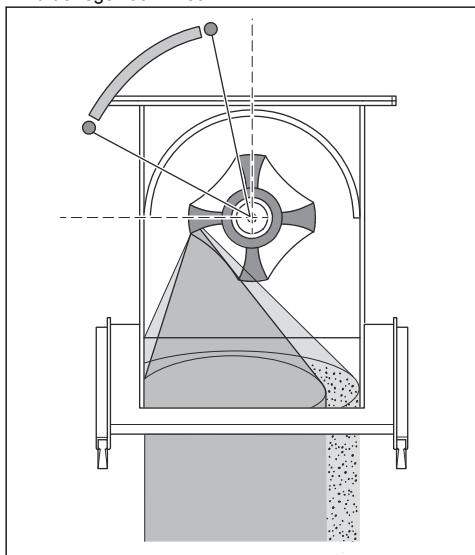


5. Zorg ervoor dat de straalpijp nog steeds in de juiste positie is nadat u de regelkooi hebt aangepast.

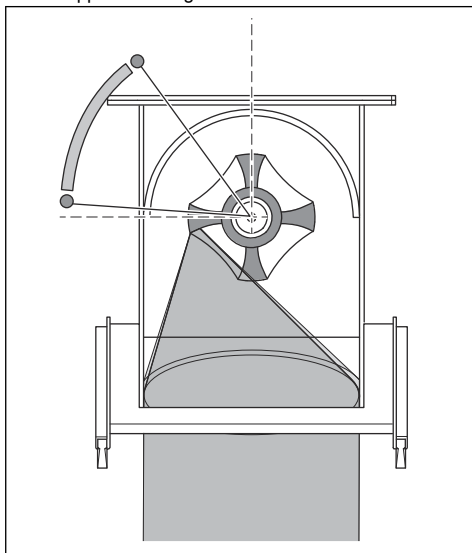
6. Als de hotspot zich te veel naar rechts bevindt, draait u de regelkooi rechtsom.



7. Als de hotspot zich te veel naar rechts bevindt, draait u de regelkooi linksom.



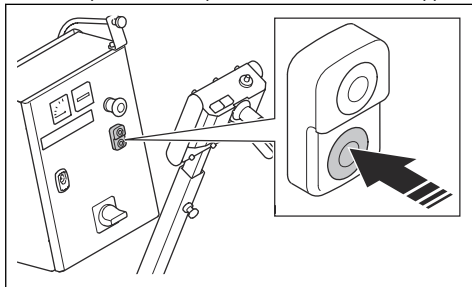
8. Bij correcte afstelling wordt de hotspot gelijkmatig op het oppervlak aangebracht.



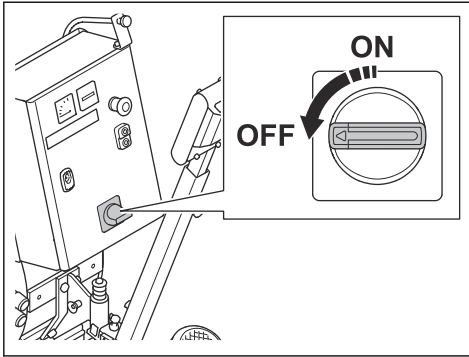
9. Als de regelkooi zich in de juiste positie bevindt, draait u de afstelhendel en de 3 moeren vast.

Product stoppen

1. Duw tegen de straalmiddelcontrolekabel om het doseerventiel te sluiten. Zie *Het doseerventiel bedienen op pagina 103*.
2. Druk op de OFF-knop om de straalmotor te stoppen.



3. Draai de ON/OFF-schakelaar naar de stand OFF.



4. Koppel de stekker los van de voeding.

5. Stop de stofzuiger. Raadpleeg de bedieningshandleiding van de stofzuiger.

Onderhoud

Inleiding



WAARSCHUWING: Voordat u onderhoud gaat uitvoeren, dient u het hoofdstuk over veiligheid te lezen en hebben begrepen.



WAARSCHUWING: Draag persoonlijke beschermingsmiddelen als u service en onderhoud uitvoert. Zie *Persoonlijke beschermingsuitrusting op pagina 98*.



WAARSCHUWING: Voordat u het onderhoud uitvoert, moet u de motor stopzetten en de voedingsstekker van de voeding loskoppelen. Controleer of alle aandrijvingen stoppen.

Voor alle onderhouds- en reparatiewerkzaamheden aan het product is speciale training nodig. Wij garanderen de beschikbaarheid van professionele reparaties en onderhoud. Indien uw dealer geen servicewerkplaats heeft, vraag hem dan naar de dichtstbijzijnde servicewerkplaats.

Zie www.husqvarnaconstruction.com voor meer gedetailleerde informatie.

Onderhoudsschema

* = Algemeen onderhoud uit te voeren door de gebruiker. De instructies zijn niet opgenomen in deze gebruikershandleiding.

X = De instructies zijn opgenomen in deze gebruikershandleiding.

O = De instructies zijn niet opgenomen in deze gebruikershandleiding. Laat onderhoud aan de machine uitvoeren door een erkende servicewerkplaats.

Algemeen productonderhoud	Elke 3 uur	Elke dag	12 uur na service	Elke 3 maanden	Jaarlijks
Controleer of de moeren en schroeven goed zijn vastgedraaid.		*	*		
Controleer of de stekker en verlengkabel in goede staat verkeren en niet beschadigd zijn.		*			
Controleer de elektrische onderdelen, de kabels en de aansluitingen op slijtage en beschadiging.		*			
Controleer het RCD.		*			
Controleer de elektromotor op vuil en schade.		*			

Algemeen productonderhoud	Elke 3 uur	Elke dag	12 uur na service	Elke 3 maanden	Jaarlijks
Zorg ervoor dat stofzuigerslang niet beschadigd en niet geblokkeerd is.		*			
Leeg de stofzuiger.	*				
Controleer de straalmiddelafscheider de afscheiderbak en de straalpijp.	X				
Reinig het product.		X			
Controleer alle veiligheidsvoorzieningen.		X			
Controleer de borstelafdichting en magnetische afdichting op slijtage.		X			
Controleer de regelkooi, het straalwiel en de voeringen op slijtage. Zie <i>Voordat u het product gebruikt op pagina 101</i> .		X			
Controleer de spanning van de aandrijfriem.		X		X	
Controleer de spanning van de aandrijfketting van het aandrijfsysteem.				X	
Reinig de aandrijfketting van het aandrijfsysteem.				X	
Voer een volledige onderhouds- en reinigingsbeurt uit.					O

Product reinigen

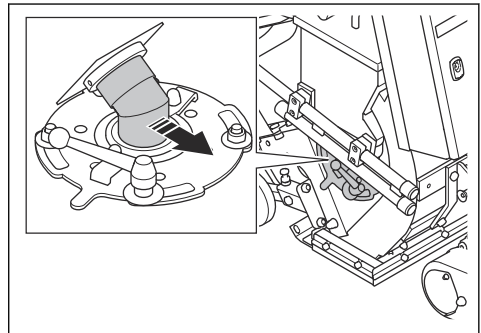
- Reinig na gebruik altijd alle apparatuur. Gebruik een stofzuiger.
- Reinig het product niet met een hogedrukspuit.
- Houd de luchtopeningen schoon en vrij om ervoor te zorgen dat het product altijd een voldoende koele temperatuur heeft.

De ketting van het aandrijfsysteem reinigen

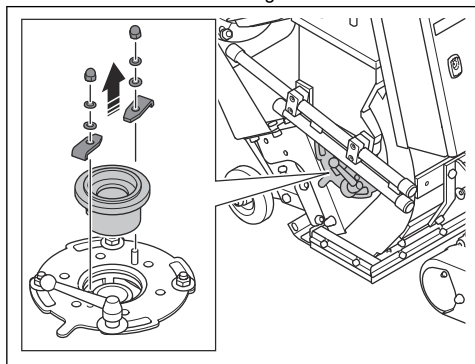
1. Verwijder vuil op de buitenkant van de ketting met een harde borstel of draadborstel.
2. Reinig de ketting met een reinigingsmiddel.
3. Verwijder vuil van de binnenste onderdelen van de ketting.

De regelkooi verwijderen en monteren

1. Verwijder de straalpijp.



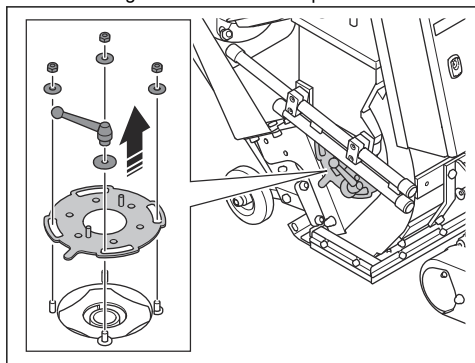
2. Verwijder de twee moeren, de vier sluitringen, de twee kooklemmen en de regelkooi.



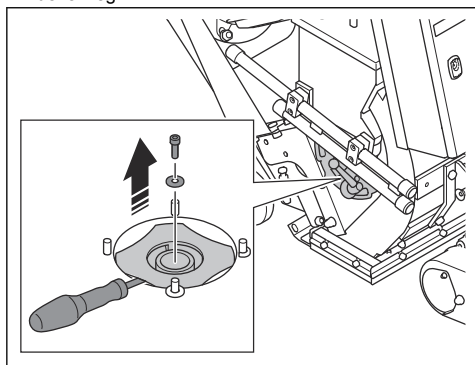
3. Monteer de regelkooi in omgekeerde volgorde.

Het straalwiel vervangen

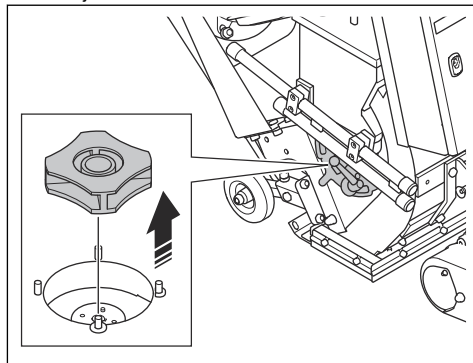
1. Verwijder de straalpijp en de regelkooi. Zie *De regelkooi verwijderen en monteren op pagina 112*.
2. Verwijder de drie moeren, de regelkooihendel, de vier sluitringen en de straalwielkap.



3. Plaats een geschikt gereedschap in het straalwiel om draaien te voorkomen. Verwijder de bout en gooi deze weg.



4. Verwijder het straalwiel.



5. Monteer het nieuwe straalwiel in omgekeerde volgorde van verwijderen.



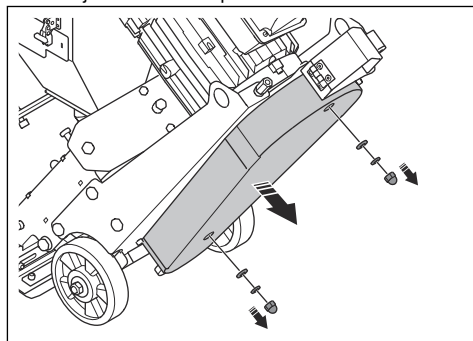
OPGELET: Gebruik altijd een nieuwe bout als u een nieuw straalwiel monteert.

De spanning van de V-riem controleren



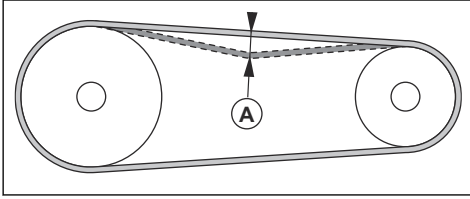
WAARSCHUWING: Gebruik het product niet zonder dat de V-riemkap is gemonteerd.

1. Stop het product. Zie *Product stoppen op pagina 110*.
2. Verwijder de V-riemkap.



3. Controleer de V-riemkappen op beschadiging en slijtage. Vervang de V-riemkappen indien nodig.

- Duw de V-riemen met uw duim in om de spanning te controleren. Als u de V-riemen 10-15 mm (A) kunt indrukken is de spanning correct.



- Als de spanning van de V-riemen onvoldoende is, moet de afstand tussen de motor en het lager worden vergroot.
- Monteer de V-riemkap.

De V-riemen vervangen



WAARSCHUWING: Verwijder de V-riemkap alleen als de voeding is losgekoppeld en de straalmotor volledig gestopt is.



WAARSCHUWING: Gebruik het product niet zonder dat de V-riemkap is gemonteerd.

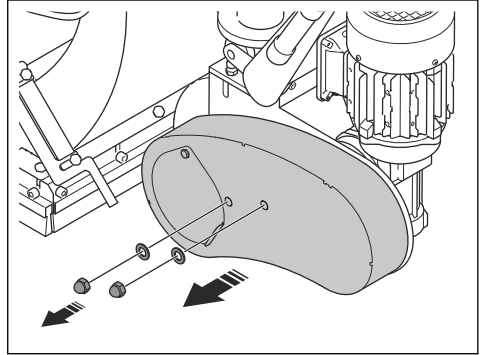
- Verwijder de V-riemkap. Zie *De spanning van de V-riem controleren op pagina 113*.
- Verklein de afstand tussen de straalmotor en het lager om spanning van de V-riemen te lossen.
- Verwijder de oude V-riemen en monteer de nieuwe V-riemen.
- Vergroot de afstand tussen de straalmotor en het lager om spanning op de V-riemen aan te brengen. Zie *De spanning van de V-riem controleren op pagina 113*.
- Bevestig de V-riemkap.

De kettingspanning van het aandrijfsysteem checken

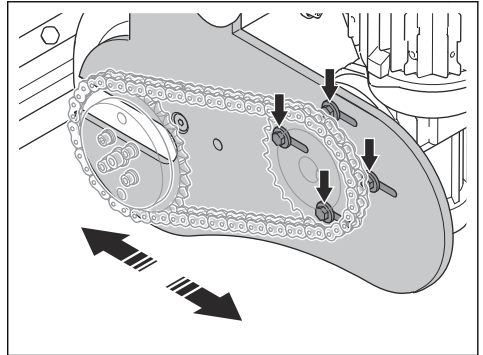


WAARSCHUWING: Gebruik het product niet zonder de kettingbeschermer.

- Stop het product. Zie *Product stoppen op pagina 110*.
- Verwijder de kettingbeschermer.



- Duw tegen de ketting om de spanning te checken. Als u de ketting 5 mm kunt indrukken is de spanning correct.
- Draai de moeren los.



- Verplaats het kettingwiel om de spanning aan te passen.
- Draai de moeren vast.
- Plaats de kettingbeschermer.

Probleemoplossing

Probleem	Oorzaak	Oplossing
Te veel trilling en/of ongebruikelijke geluiden.	Het straalwiel is versleten of beschadigd.	Vervang de onderdelen die versleten of beschadigd zijn.
	Het straalwiel en de regelkooi zijn niet correct uitgelijnd.	Pas de uitlijning van het straalwiel en de regelkooi aan.
	Er zijn losse schroeven en moeren.	Haal alle schroeven en moeren aan.
	Verkeerde spanning van de V-riemen.	Controleer de spanning van de V-riem. Zie <i>De spanning van de V-riem controleren op pagina 113</i> .
	De motor is beschadigd.	Vervang de motor. Neem contact op met een erkende Husqvarna-servicewerkplaats.
	De wielen zijn beschadigd.	Vervang de wielen.
Verlaagde of geen prestaties.	De aanvoer van straalmiddel naar het straalwiel is onvoldoende.	Reinig de afscheiderbak en vul de straalmiddelafscheider bij met straalmiddel. Controleer de straalpijp en het straalmiddelventiel.
	Het type straalmiddel is onjuist voor het oppervlak.	Vervang het straalmiddel door het correcte straalmiddel voor het oppervlak.
	Het straalmiddel is verontreinigd.	Controleer de stofzuiger en de stofzuigerslang.
	Het straalwiel of de regelkooi is versleten of beschadigd.	Vervang het straalwiel en/of de regelkooi.
	Te veel straalmiddel raakt het oppervlak bij de start van het bedrijf.	Sluit het straalmiddelventiel en stop het product. Start het bedrijf opnieuw en open het straalmiddelventiel langzaam.
	Het aandrijftoerental van het product is te hoog.	Verlaag het aandrijftoerental.
	Straalmiddel komt uit het product.	De magnetische afdichtingen staan op een verkeerde afstand van het oppervlak.
Beschadigde afdichtingen.		Controleer alle afdichtingen en vervang indien nodig.
De kwaliteit van het straalmiddel is onvoldoende.		Neem voor meer informatie contact op met uw dealer.
De slijtage is hoger dan gebruikelijk op onderdelen van de straalbehuizing.	Verkeerd straalmiddel.	Neem voor meer informatie contact op met uw dealer.
	De regelkooi is niet correct geïnstalleerd.	Plaats de regelkooi zodanig dat u een beter straalpatroon krijgt.
	Stofzuiger heeft onvoldoende zuigkracht.	Controleer de stofzuigerslang en de stofzuiger.

Probleem	Oorzaak	Oplossing
Het product beweegt niet.	Het aandrijftoerental is te laag.	Verhoog het aandrijftoerental.
	De straalkop komt vast te zitten op de vloer.	Stel de hoogte af.
	Het aandrijfsysteem is beschadigd of niet aangesloten.	Schakel het aandrijfsysteem in. Controleer de aandrijfketting.
De motor start niet.	Een fase van de voeding ontbreekt.	Controleer de voeding.
	Een fase van de voeding is verkeerd.	Pas de fase aan.
	De noodstopknop is ingeschakeld.	Draai de noodstopknop rechtersom om deze uit te schakelen.
	De motorbeschermingsschakelaar is ingeschakeld.	Start het product opnieuw. Controleer de voeding.
	De verlengkabel is losgekoppeld of beschadigd.	Sluit de verlengkabel aan of vervang deze indien nodig.
	Een component is beschadigd.	Neem contact op met een erkende Husqvarna-servicewerkplaats.
Het product stopt na een tijdje.	De motorbeveiligingsschakelaar komt vrij vanwege overbelasting.	Neem contact op met een erkende Husqvarna-servicewerkplaats.
	De motor heeft een defect.	Controleer de motor.
	Een veiligheidszekering of een foutstroomonderbreker is ingeschakeld.	Neem contact op met een erkende Husqvarna-servicewerkplaats.
	Kabels zijn beschadigd.	Controleer de kabel en vervang deze indien nodig.
Het aandrijfsysteem werkt niet goed.	Het aandrijfsysteem is niet ingeschakeld.	Monteer de snelontgrendelingspin.
	Veiligheidszekering of de aandrijfsysteem-motor is beschadigd.	Neem contact op met een erkende Husqvarna-servicewerkplaats.
	Het bedieningspaneel is beschadigd.	Neem contact op met een erkende Husqvarna-servicewerkplaats.
	De potentiometer is beschadigd.	Neem contact op met een erkende Husqvarna-servicewerkplaats.

Vervoer, opslag en verwerking

Transport



WAARSCHUWING: Wees voorzichtig tijdens het transport. Het product is zwaar en kan als het valt of beweegt letsel of schade veroorzaken.



OPGELET: Sleep het product niet achter een voertuig.

- Zorg dat de voeding is losgekoppeld voor transport.

- Zorg dat de elektrische kabel en de stofzuigerslang losgekoppeld zijn voor transport.
- Verwijder het straalmiddel voor transport.
- Met de wielen kunt u het product verplaatsen voor kortere afstanden. Voor langere afstanden moet u het product heffen om het te verplaatsen of op een voertuig plaatsen.
- Zorg dat het product tijdens het transport op bepaalde manieren wordt beschermd. Op deze wijze wordt het product niet blootgesteld aan natuurverschijnselen zoals regen en sneeuw.
- Schakel het aandrijfsysteem in tijdens transport. Zie *Het aandrijfsysteem inschakelen op pagina 102*.

Product handmatig verplaatsen



WAARSCHUWING: Wacht tot alle bewegende onderdelen stilstaan voordat u het product verplaatst.



WAARSCHUWING: Gebruik beschermende laarzen met stalen neuzen en antislipzolen.



WAARSCHUWING: Verplaatst het product niet handmatig met uitgeschakeld aandrijfsysteem omhoog en omlaag over hellingen. Verplaatst het product handmatig alleen op vlakke ondergrond.

1. Schakel het aandrijfsysteem uit. Zie *Het aandrijfsysteem inschakelen op pagina 102*.
2. Duw de handgreep naar voren.
3. Duw of trek het product via de handgreep.
4. Schakel het aandrijfsysteem in. Zie *Het aandrijfsysteem inschakelen op pagina 102*. Met uitgeschakelde motor heeft deze de functie van een parkeerrem en voorkomt onbedoelde verplaatsing van het product.

Het product verplaatsen met het aandrijfsysteem



WAARSCHUWING: Het product is zwaar en er bestaat gevaar voor letsel als het product naar beneden valt. Wees voorzichtig wanneer u het product verplaatst.



WAARSCHUWING: Til het product niet van de grond als het in bedrijf is.



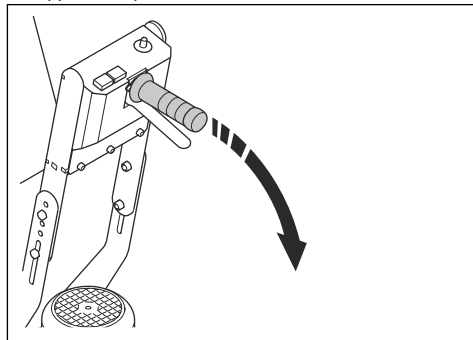
WAARSCHUWING: Beweeg het product niet voorwaarts tijdens het bedrijf.



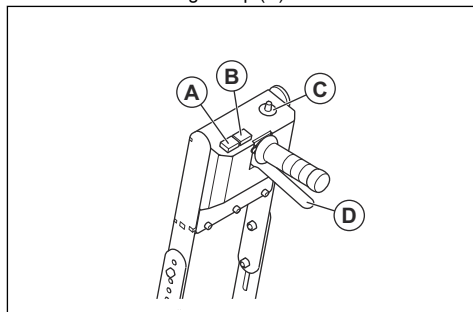
WAARSCHUWING: Gebruik beschermende laarzen met stalen neuzen en antislipzolen.

1. Schakel het aandrijfsysteem in. Zie *Het aandrijfsysteem inschakelen op pagina 102*.

2. Duw de handgreep omlaag om het product van het oppervlak op te tillen.



3. Het bewegingstoerental wordt ingesteld of afgesteld met de toerentalregelknop (C).



4. Houd de hendel van het aandrijfsysteem (D) ingedrukt om het product achterwaarts te bewegen.
5. Houd de overdriveknop (A) ingedrukt om te bewegen met maximaal toerental.
6. Houd de voorwaartsknop (B) ingedrukt om het product voorwaarts te bewegen.

Het product een hellingbaan op en af laten gaan



WAARSCHUWING: Wees zeer voorzichtig wanneer u het product een hellingbaan op en af laat gaan. Het product is zwaar en er bestaat gevaar voor letsel als het product te valt of te snel beweegt.



WAARSCHUWING: Gebruik altijd een lier voor steile hellingbanen. Loop nooit onder het product door en blijf er niet onder of in de buurt staan.

- Als u het product van een hellingbaan af wilt laten rijden, rijd het product dan langzaam vooruit.
- Als u het product een hellingbaan op wilt laten rijden, rijd het product dan langzaam achteruit.

- Draai het product nooit meer dan 45° naar links of rechts op een hellingbaan.

Het product optillen



WAARSCHUWING: Zorg ervoor dat de hijsapparatuur de juiste specificaties heeft om het product veilig op te tillen. Het typeplaatje op het product geeft het gewicht van het product aan.

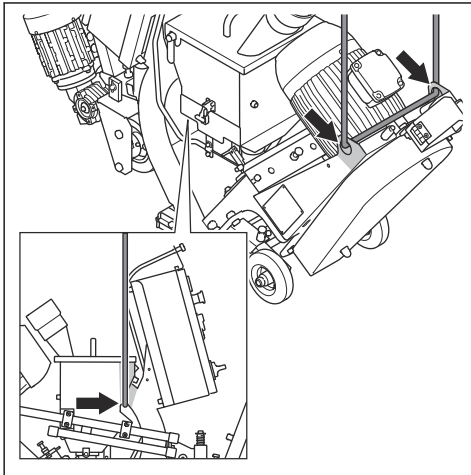


WAARSCHUWING: Loop nooit onder een opgeheven product door en blijf er niet onder of in de buurt staan. Houd omstanders uit de buurt van het werkgebied.



WAARSCHUWING: Hef een beschadigd product niet. Controleer of het hijsorg correct is aangebracht en niet beschadigd is.

1. Bevestig de hijsuitrusting op de hijspunten.



2. Hef het product veilig omhoog. Houd de handgreep vast tot het product van de grond is opgetild.

Het product aan een transportvoertuig bevestigen

Gebruik de hijsogen om het product aan het transportvoertuig te bevestigen.

1. Bevestig de spanbanden in de hijsogen.
2. Bevestig de sjorbanden aan het transportvoertuig en haal de sjorbanden aan.

Opslag



OPGELET: Sla het product niet buiten op. Bewaar dit product altijd binnen.

- Bewaar het product in een droge en vorstvrije ruimte.
- Reinig het product en voer een volledige onderhoudsbeurt uit voordat u het product opslaat.
- Bewaar het product in een afgesloten ruimte om toegang door kinderen of onbevoegde personen te verhinderen.
- Verwijder straalmiddel uit de straalmiddelafscheider.

Het product afvoeren

- Neem de plaatselijk geldende wet- en regelgeving voor recycling in acht.
- Wanneer het product niet langer wordt gebruikt, stuur het dan naar een Husqvarna-dealer of voer het af via een recyclingslocatie.

Technische gegevens

	1-8DPS30 1x230V	1-8DPS30 3x400V	1-8DPS55
Nominaal vermogen, W	3180	3370	5680
Nominale spanning, V	230	400	
Nominale frequentie, Hz	50		
Nominale stroom, A	13,4	6,95	11
Kabellengte, m	10		
Type voedingskabel	3x2,5 mm ²	4x2,5 mm ²	
Werkbreedte, mm	203		
Rijsnelheid, m/min	0-23		
Maximaal reinigingsvermogen, graden/%	10/18		
Productafmetingen (LxBxH), mm	1570x380x1050		1700x380x1050
Gewicht, kg	145		155
Bedrijfstemperatuur, °C	-10-45		
Diameter stofslangaansluiting, mm	75		
Stofzuiger	Neem contact op met een Husqvarna-servicewerkplaats voor meer informatie.		

Let op: Als voor uw product een elektrische specificatie vereist is die niet in de tabel staat, moet u

contact opnemen met een Husqvarna-servicewerkplaats voor meer informatie.

Geluids- en trillingsemissies

Geluidsemissie	
Geluidsdrukniveau bij het oor van de gebruiker, LP dB (A). ¹	76
Trillingsniveau	
Hoofdhandgreep, m/s ² . ²	0,5
¹ Geluidsdrukniveau bepaald volgens EN ISO 11202. Gemeten op betonoppervlak. Onzekerheidsmarge Kpa 2,5 dB	
² Gewogen effectieve acceleratie gemeten aan de handgreep volgens EN ISO 20643. Gemeten op betonoppervlak. Onzekerheidsmarge K 0,5 m/s ²	

Goedgekeurd straalmiddel

	Hoogwaardig koolstofstaal-straal			Hoogwaardig koolstofstaal-korrel
Goedgekeurd straal-middel	S-330	S-390	S-460*	SG25*
mm	1,0	1,2	1,4	1,0
*speciale bediening				

Verlengkabels

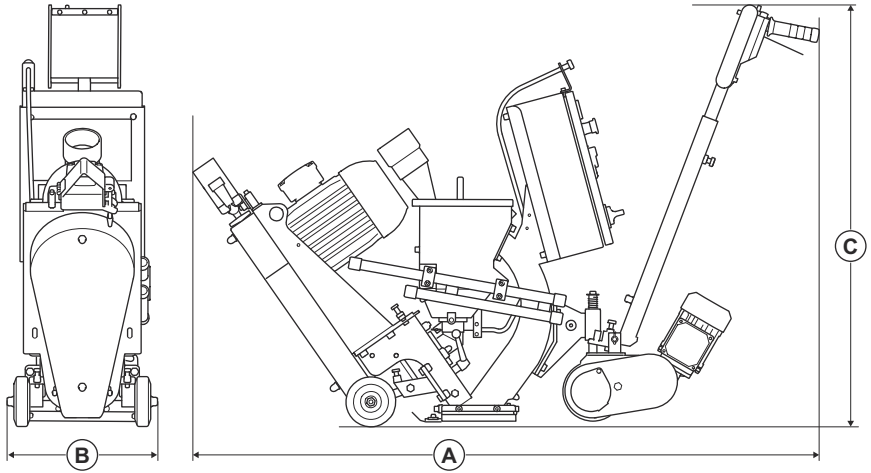
Kabellengte	Dwarsdoorsnede			
	≤ 16 A	≤ 32 A	≤ 63 A	≤ 125 A
Berekend bij een verzekering GG ¹ :	16 amp	32 amp	63 amp	125 amp
>20 m	1,5 mm ²	2,5 mm ²	10 mm ²	25 mm ²
20 m > 50 m	2,5 mm ²	4 mm ²	10 mm ²	25 mm ²
50 m > 75 m	4 mm ²	6 mm ²	16 mm ²	35 mm ²
¹ De dwarsdoorsnedes moeten opnieuw worden berekend als een ander type verzekering of verzekering met andere afmetingen dan gegeven wordt gebruikt.				

Verklaring inzake geluid- en trillingsemissies

Deze aangegeven waarden zijn verkregen door middel van typeonderzoek in een laboratorium in overeenstemming met de genoemde richtlijn of normen en zijn geschikt voor vergelijking met aangegeven waarden van andere producten die volgens dezelfde richtlijn of normen zijn getest. Deze aangegeven

waarden zijn niet geschikt voor gebruik ten behoeve van risicoanalyses. Waarden die worden gemeten op afzonderlijke werkplekken, kunnen hoger zijn. De werkelijke blootstellingswaarden en het risico op letsel dat een individuele gebruiker ondervindt, zijn uniek en zijn afhankelijk van de manier waarop de gebruiker werkt, het materiaal waarvoor het product gebruikt wordt, de blootstellingstijd en de fysieke toestand van de gebruiker en de toestand van het product.

Productafmetingen



A	Lengte, mm	1570
B	Breedte, mm	380
C	Hoogte, mm	1050

Verklaring van overeenstemming

EU-verklaring van overeenstemming

Wij, Husqvarna AB, SE-561 82 Huskvarna,
Zweden, tel: +46- 36-146500, verklaren onder onze
alleenverantwoordelijkheid dat het product:

Beschrijving	Staalstraler
Merk	Husqvarna
Type/model	1-8DPS30, 1-8DPS55
Identificatie	Serienummers vanaf 2023 en verder

volledig voldoet aan de volgende EU-richtlijnen en
-regelgeving:

Richtlijn/Verordening	Beschrijving
2006/42/EG	"betreffende machines"
2014/30/EU	"betreffende elektromagnetische compatibiliteit"

en dat de volgende normen en/of technische
specificaties zijn toegepast:

EN ISO 12100:2010

Partille, 2023-04-03



Martin Huber

R&D Director, Concrete Surfaces & Floors

Husqvarna AB, Construction-divisie

Verantwoordelijk voor technische documentatie





FR

Cet appareil,
ses cordons,
et batterie
se recyclent

À DÉPOSER
EN MAGASIN



OU

À DÉPOSER
EN DÉCHÈTERIE



Points de collecte sur www.quefairedemesdechets.fr
Privilégiez la réparation ou le don de votre appareil !

Husqvarna®

www.husqvarnaconstruction.com

Original instructions
Originalanweisungen
Instructions d'origine
Originele instructies

1143476-20



FR



2023-04-21