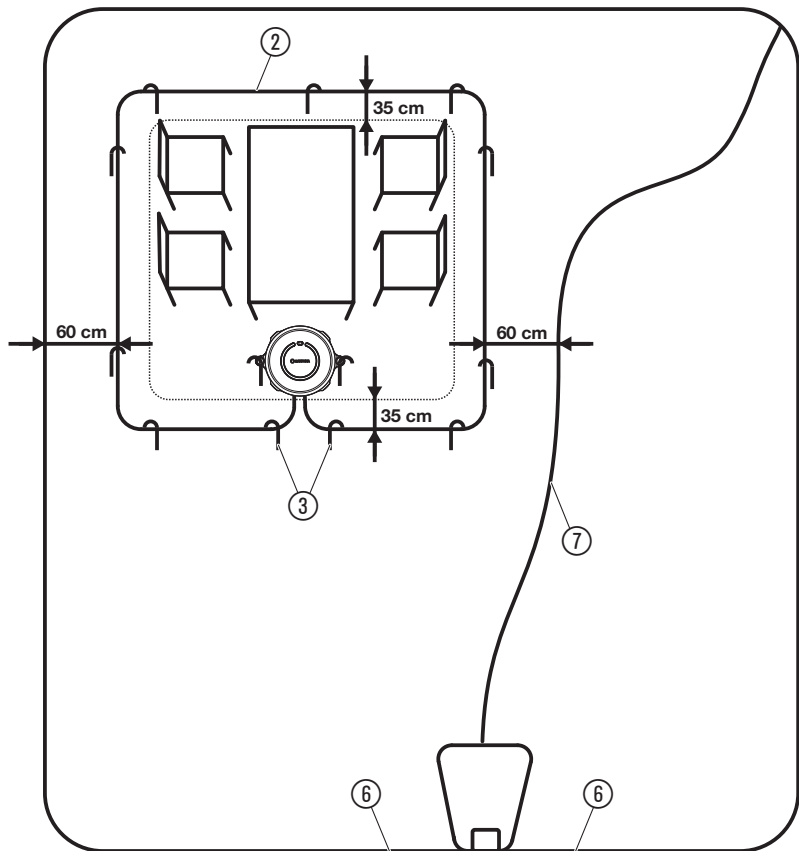
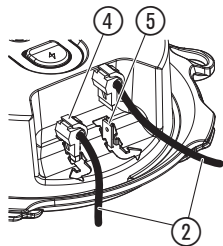
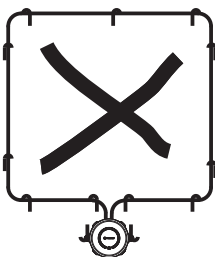
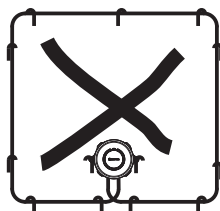
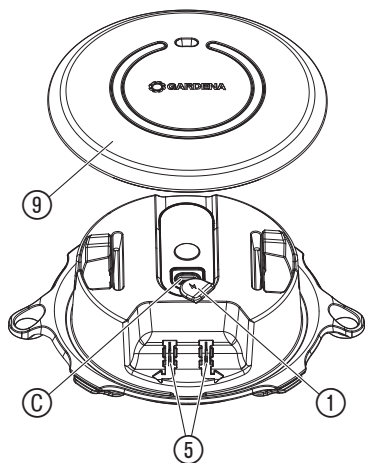
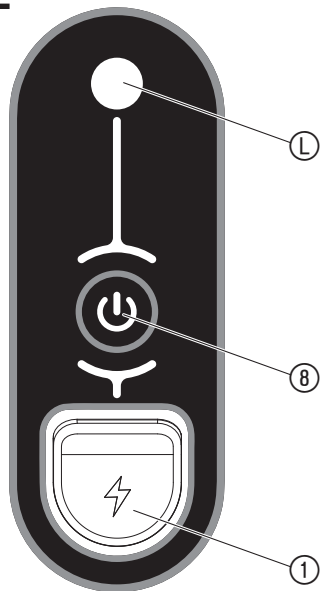


ZoneProtect Art. 15021

11



**I2****I3****I4****O1****O2**

## en **GARDENA ZoneProtect**

---

### **Translation of the original instructions.**

This product may be used under supervision, or if instruction regarding the safe use of the product has been provided and the resulting dangers have been understood, by persons with physical, sensory or mental disabilities or a lack of experience and knowledge. Children must not play with the product.

### ***Intended use:***

The **GARDENA ZoneProtect** is intended for separating a zone in which the robotic lawnmower (SILENO minimo, (smart) SILENO city and (smart) SILENO life) should not mow, in domestic gardens and allotments.

The zone must be within the working area (delimited by the boundary wire) of the robotic lawnmower.

The **GARDENA ZoneProtect** must not be used in public places, parks, sport arenas, or in agriculture or forestry.

## 1. SAFETY

### IMPORTANT!

**Read the operator's manual carefully before use and keep for future reference.**

### Battery safety

If used incorrectly or if the batteries are damaged, flammable liquid may be ejected from the batteries. Contact with this liquid should be avoided. If contact accidentally occurs, rinse off with water. If the liquid comes into contact with your eyes, seek additional medical attention.

Only charge the battery at ambient temperatures between +4 °C and +30 °C. The full charging power is available from 15 °C.

Only charge the product in dry indoor areas.

If the temperature of the battery is outside the permissible charging temperature range, the battery cannot be charged. As soon as the permitted temperature range is reached, the battery is charged.

Do not use the product and its peripherals in bad weather conditions, especially when there is a risk of lightning.

Do not detach the battery!

If the product has not been used for a long time, charge it to more than 60 % before use. It should be charged to 60 % at least every 3 months.

Children are not allowed to be unsupervised in the protected area.

When the battery is empty or if the ZoneProtect has overheated, the zone is no longer protected.

The same specifications apply to the installation of the zone wire as for the boundary wire (see the Operator's Manual for the robotic lawnmower).

A USB power supply is not included with this product.

It is recommended to use a third party power supply with the following specifications:

- Frequency: 50 to 60 Hz, single-phase
- Mains voltage: 100 to 240 V AC
- Output voltage/current: 5 V DC/1 A
- Minimum output power: 5 W
- Output connector: USB-C

→ Before using the third-party USB power supply, check that it complies with national and international safety standards for safety extra low voltage (SELV).



**DANGER! Cardiac arrest!**

**This product makes an electromagnetic field while it operates. This field may under some conditions interfere with active or passive medical implants. To decrease the risk of conditions that can possibly injure or kill, we recommend persons with medical implants to speak with their physician and the medical implant manufacturer before you operate the product.**



**DANGER! Risk of suffocation!**

**Small parts can be easily swallowed. There is also a risk that the polybag can suffocate toddlers. Keep toddlers away when you assemble the product.**



**DANGER! Risk of physical injury!**

**Risk of injury and risk of damage to the product.**

- **Do not clean the product with water or with a water jet (in particular high-pressure water jet).**
- **Do not clean with chemicals including petrol or solvents. Some can destroy critical plastic parts.**

### Disposal:

(in accordance with RL2012/19/EC/S.I. 2013 No. 3113)



The product must not be disposed of to normal household waste. It must be disposed of in line with local environmental regulations.

**IMPORTANT!**

→ Dispose of the product through or via your municipal recycling collection centre.

**Disposal of the battery:**

The battery contains lithium-ion cells that should not be disposed of with normal household waste at the end of its life.

**IMPORTANT!**

The battery may only be removed by qualified personnel.

1. If you have any questions regarding the removal of the battery, please contact the GARDENA Service.
2. Dispose of the batteries through or via your municipal recycling collection centre.

## 2. INSTALLATION

### Preparation:

- Charge the battery (see 3. OPERATION).
- You can use the accessories of your robotic lawn mower for the zone cable, ground hooks and connection clamps. Alternatively, you can also obtain these from the GARDENA dealer.
- The robotic lawnmower must not be in ECO Mode during installation (see ECO Mode in the Operator's Manual for the robotic lawnmower).
- Update the mower's firmware (via [www.gardena.com](http://www.gardena.com)):
 

SILENO minimo	from 5995762-03
SILENO city	from 5908253-11
SILENO life	from 5939856-06

- To find out if an update is required, you can check which firmware is currently installed on your mower:

**SILENO city & SILENO life:**

Open the quick info menu (see the Operator's Manual of the robotic lawnmower).

**SILENO minimo:** You will find the information in the GARDENA Bluetooth App.

- Enable the Zone Generator function of your robotic lawn mower menu/app. Refer to the Operator's Manual of the robotic lawnmower.

### Conditions for the installation:

- Lay the wire as described in the instructions for the robotic lawnmower (chapter: *To examine where to put the boundary wire*).
- The zone must be completely within the mowing area of the boundary cable ⑥.
- The distance from the zone wire ② to the boundary wire ⑥ must be at least 60 cm.
- The zone should not cover the guide wire ⑦, otherwise the robotic lawnmower may not find the charging station. If you do not remember where the guide wire is, start the robotic lawnmower at the end of the guide cable and let it return to the charging station (see Operator's manual of the robotic lawnmower).
- The distance from zone wire ② to guide wire ⑦ should be at least 60 cm.
- The ZoneProtect and all objects inside must be at least 35 cm inside the zone [Fig. I3].
- Do not lay the cable on slopes > 10%.

- When using several ZoneProtects, the distance from zone wire to zone wire must be at least 60 cm.
- The zone cable must not cross [Fig. I4].
- The maximum length of the zone wire is 15 m.

### **To connect the zone cable** **[Fig. I1/I2]:**

The zone cable ②, the ground hooks ③ and the connection clamps ④ are not included in the scope of delivery.

1. Place the zone cable ② around the desired zone.
2. Cut both ends of the zone cable ② to length at the point where you want to set up the ZoneProtect.
3. Attach one connection clamp ④ to each end of the zone cable ②.
4. Attach the connection clamps ④ to the connections ⑤ of the ZoneProtect.
5. Secure the ZoneProtect and the zone cable with the ground hooks ③.
6. Activate the **Zone Generator** option in your robotic lawnmower (see Operator's manual of the robotic lawnmower).

### **To test the installation:**

1. Set the product to **ON** and make sure that the LED indicator is green.
2. Make sure that ECO mode of the robotic lawn mower is disabled.  
Refer to ECO Mode in the Operator's Manual for the robotic lawnmower.
3. Put the robotic lawn mower 1 – 2 m in front of the stay-out zone. Make sure that the

robotic lawnmower points forward to the stay-out zone.

4. Start the robotic lawnmower and make sure that it stops by the zone boundary wire. If it enters the stay-out zone, check the conditions for the installation.

## **3. OPERATION**

---

### **To charge the battery [Fig. O1/O2]:**

The 5 V power supply unit with USB-A socket is not included.

The battery is delivered partially charged. To ensure the full performance of the battery, fully charge the battery before the first use.

The ZoneProtect cannot be used during charging.


1. Remove the cover ⑨.
2. Fold open the sealing cap ①.
3. Plug the USB-C plug of the supplied charging cable into the charging socket ③.
4. Plug the USB-A plug of the charging cable into the power supply unit.
5. Connect the power supply unit into a mains socket.

*The battery is charging and the LED ④ blinks orange.*

When the battery is fully charged, the LED ④ illuminates orange. When the battery is fully charged, the ZoneProtect works for approx. 31 days.



### **LED indicators [Fig. O2]:**

By briefly pushing the button ⑧ the status of ZoneProtect is displayed for 5 seconds.



illuminates green	Activated and battery capacity > 30%
blinks green	Activated and battery capacity < 30%
flashes green	Activated and battery capacity < 10%
illuminates orange	Battery is fully charged
blinks orange	Battery is charging
illuminates blue	Zone cable is not connected or cut and battery capacity > 30%
blinks blue	Zone cable is not connected or cut and battery capacity < 30%
flashes blue	Zone cable is not connected or cut and battery capacity < 10%
illuminates purple	Mower is in ECO Mode, boundary cable is not detected or invalid zone range and battery capacity > 30%
blinks purple	Mower is in ECO Mode, boundary cable is not detected or invalid zone range and battery capacity < 30%
flashes purple	Mower is in ECO Mode, boundary cable is not detected or invalid zone range and battery capacity < 10%
illuminates red	Error and battery capacity > 30% (see 6. TROUBLESHOOTING)
blinks red	Error and battery capacity < 30% (see 6. TROUBLESHOOTING)
flashes red	Error and battery capacity < 10% (see 6. TROUBLESHOOTING)
flashes white 5 times every 10 sec	Push the button  so that the status is displayed
blinks white	ZoneProtect switches off

In order to achieve the maximum runtime of the ZoneProtect, the mower must be operated in Eco mode (see Operator's manual of the robotic lawnmower).

### **To switch on the ZoneProtect [Fig. O2]:**

→ Push the button  for 2 seconds.  
*The ZoneProtect is switched on and the LED  illuminates/blinks green (depending on the battery capacity).*

### **To switch off the ZoneProtect [Fig. O2]:**

→ Push the button  for 2 seconds.  
*The ZoneProtect is switched off and the LED  blinks white.*

## **4. MAINTENANCE**

→ Clean the ZoneProtect with a damp cloth.

## **5. STORAGE**


### **To put into storage:**

**The product must be stored away from children.**

1. Charge the battery.
2. Clean the ZoneProtect (see 4. MAINTENANCE).
3. Store the ZoneProtect in a dry, enclosed and frost-free place.



## 6. TROUBLESHOOTING

Problem	Possible Cause	Remedy
① illuminates/ blinks/ flashes blue	Zone cable is not connected or cut.	→ Connect the zone cable.
① illuminates/ blinks/ flashes purple and the mower is not in ECO mode	Boundary cable is not detected or cut.	→ Check the boundary cable.
① illuminates/ blinks/ flashes red	ZoneProtect overtemperature. Permanent error.	→ Put the ZoneProtect in the shade and let it cool down. Contact the GARDENA Service.
① flashes white 5 times every 10 sec	Battery is empty or there is an error or the zone cable is broken/ unplugged.	→ Charge the battery or check the zone cable.
<b>Robotic lawn-mower crosses the zone cable</b>	Software transfer error.	→ Press and hold the button  for 15 seconds.
	Zone Generator function is not enabled in the mower menu/ app.	→ Enable the Zone Generator function in the mower menu/ app.
<b>Robotic lawn-mower stops (Zone Generator Problem)</b>	Battery is empty.	→ Charge the battery.
	ZoneProtect overtemperature.	→ Put the ZoneProtect in the shade and let it cool down.

## 7. TECHNICAL DATA

ZoneProtect	Unit	Value
<b>Battery operation time (approx.)</b>	d	31
<b>Battery charging voltage</b>	V	5
<b>Battery charging current</b>	A	1
<b>Battery charging time</b>	h	6
<b>IP Protection class</b>		IPx4
<b>Operating temperature range</b>	°C	0 – 40
<b>Operating Frequency Band</b>	Hz	100 – 80000
<b>Max. radio-frequency power<sup>1)</sup></b>	mW	<25

<sup>1)</sup> Maximum active output power to antennas in the frequency band in which the radio equipment operates.

## 8. ACCESSORIES

<b>GARDENA Boundary wire</b>	50 m / 150 m	<b>Art 4058-60 / Art 4088-60</b>
<b>GARDENA Ground hooks</b>	100 pieces	<b>Art 4090-20</b>
<b>GARDENA Connectors + Connection clamps</b>	6 connectors + 3 connection clamps	<b>Art. 4089-20</b>

## 9. SERVICE

Please contact the address on the back page.

**de Produkthaftung**

Wir weisen ausdrücklich darauf hin, dass wir in Übereinstimmung mit dem Produkthaftungsgesetz nicht für Schäden haften, die durch unsere Produkte entstehen, wenn diese unsachgemäß und nicht durch einen von uns autorisierten Servicepartner repariert wurden oder wenn keine Original GARDENA Teile oder von uns zugelassene Teile verwendet wurden.

**en Product liability**

In accordance with the German Product Liability Act, we hereby expressly declare that we accept no liability for damage incurred from our products where said products have not been properly repaired by a GARDENA-approved service partner or where original GARDENA parts or parts authorised by GARDENA were not used.

**fr Responsabilité**

Conformément à la loi relative à la responsabilité du fait des produits défectueux, nous déclarons expressément par la présente que nous déclinons toute responsabilité pour les dommages résultant de nos produits, si lesdits produits n'ont pas été correctement réparés par un partenaire d'entretien agréé GARDENA ou si des pièces d'origine GARDENA ou des pièces agréées GARDENA n'ont pas été utilisées.

**nl Productaansprakelijkheid**

Conform de Duitse wet inzake productaansprakelijkheid verklaren wij hierbij uitdrukkelijk dat wij geen aansprakelijkheid aanvaarden voor schade ontstaan uit onze producten waarbij deze producten niet zijn gerepareerd door een GARDENA-erkende servicepartner of waarbij geen originele GARDENA-onderdelen of onderdelen die door GARDENA zijn goedgekeurd zijn gebruikt.

**sv Produktansvar**

I enlighet med tyska produktansvarslagar förklarar vi härmed uttryckligen att vi inte åtar oss något ansvar för skador som orsakas av våra produkter där produkterna inte har genomgått korrekt reparation från en GARDENA-godkänd servicepartner eller där originaldelar från GARDENA eller delar godkända av GARDENA inte använts.

**da Produktansvar**

Såsom overensstemmelse med den tyske produktansvarslov erklærer vi hermed udtrykkeligt, at vi ikke påtager os noget ansvar for skader på vores produkter, hvis de pågældende produkter ikke er blevet repareret korrekt af en GARDENA-godkendt servicepartner, eller hvor der ikke er brugt originale GARDENA-reservedele eller godkendte reservedele fra GARDENA.

**fi Tuotevastuu**

Saksan tuotevastuulain mukaisesti emme ole vastuussa laitteiden vaurioista, jos korjauksia ei ole tehnyt GARDENAn hyväksymä huoltoliike tai jos niiden syytä on muiden kuin alkuperäisten GARDENA-varaosien tai GARDENAn hyväksymien varaosien käyttö.

**it Responsabilità del prodotto**

In conformità con la Legge tedesca sulla responsabilità del prodotto, con la presente dichiariamo espressamente che decliniamo qualsiasi responsabilità per danni causati dai nostri prodotti qualora non siano stati correttamente riparati presso un partner di assistenza approvato GARDENA o laddove non siano stati utilizzati ricambi originali o autorizzati GARDENA.

**es Responsabilidad sobre el producto**

De acuerdo con la Ley de responsabilidad sobre productos alemana, por la presente declaramos expresamente que no aceptamos ningún tipo de responsabilidad por los daños ocasionados por nuestros productos si dichos productos no han sido reparados por un socio de mantenimiento aprobado por GARDENA o si no se han utilizado piezas originales GARDENA o piezas autorizadas por GARDENA.

**pt Responsabilidade pelo produto**

De acordo com a lei alemã de responsabilidade pelo produto, declaramos que não nos responsabilizamos por danos causados pelos nossos produtos, caso os tais produtos não tenham sido devidamente reparados por um parceiro de assistência GARDENA aprovado ou se não tiverem sido utilizadas peças GARDENA originais ou peças autorizadas pela GARDENA.

**pl Odpowiedzialność za produkt**

Zgodnie z niemiecką ustawą o odpowiedzialności za produkt, niniejszym wyraźnie oświadczamy, że nie ponosimy żadnej odpowiedzialności za szkody poniesione na skutek użytkowania naszych produktów, w przypadku gdy naprawa tych produktów nie była odpowiednio przeprowadzana przez zatwierdzonego przez firmę GARDENA partnera serwisowego lub nie stosowano oryginalnych części GARDENA albo części autoryzowanych przez tę firmę.

### **hu Termékszavatosság**

A németországi termékszavatossági törvényvel összhangban ezenel nyomatékosan kijelentjük, hogy nem vállalunk felelősséget a termékeinkben keletkezett olyan károkért, amelyek valamely GARDENA által jóváhagyott szervizpartner által nem megfelelően végzett javításból adódtak, vagy amely során nem eredeti GARDENA alkatrészeket vagy a GARDENA által jóváhagyott alkatrészeket használtak fel.

### **cs Odpovědnost za výrobek**

Uporozňujeme na to, že v souladu se zákonem o odpovědnosti za škodu způsobenou vadným výrobkem neručíme za škody, které způsobily naše produkty, pokud byly opraveny neodborně a ne námi autorizovaným servisním partnerem nebo pokud nebyly použity originální díly GARDENA nebo námi schválené díly.

### **sk Zodpovednosť za produkt**

V súlade s nemeckými právnymi predpismi upravujúcimi zodpovednosť za výrobok týmto výslovne prehlasujeme, že nenesieme žiadnu zodpovednosť za škody spôsobené našimi výrobkami, v prípade ktorých neboli náležite opravy vykonané servisným partnerom schváleným spoločnosťou GARDENA alebo neboli použité diely spoločnosti GARDENA alebo diely schválené spoločnosťou GARDENA.

### **el Ευθύνη προϊόντος**

Συμφώνα με τον γερμανικό νόμο περί Ευθύνης για τα Προϊόντα, με το παρόν δηλώνουμε ρητώς ότι δεν αποδεχόμαστε καμία ευθύνη για τυχόν ζημιές που προκύπτουν από τα προϊόντα μας εάν αυτά δεν έχουν επισκευαστεί οριστά από κάποιον εγκεκριμένο συνεργάτη επισκευών της GARDENA ή εάν δεν έχουν χρησιμοποιηθεί αυθεντικά εξαρτήματα GARDENA ή εξαρτήματα εγκεκριμένα από την GARDENA.

### **sl Odgovornost proizvajalca**

V skladu z nemškimi zakoni o odgovornosti za izdelke, izrecno izjavljajo, da ne sprejemamo nobene odgovornosti za škodo, ki jo povzročijo naši izdelki, če teh niso ustrezno popravili GARDENINI odobreni servisni partnerji ali pri tem niso bili uporabljeni originalni GARDENINI nadomestni deli ali GARDENINIMI homologiranimi nadomestnimi deli.

### **hr Pouzdanost proizvoda**

Sukladno njemačkomu zakonu o pouzdanosti proizvoda, ovime izričito izjavljujemo kako ne prihvaćamo nikakvu odgovornost za oštećenja na našim proizvodima nastala uslijed neispravnog popravka od strane servisnog partnera kojeg odobrava GARDENA ili uslijed nekoristenja originalnih GARDENA dijelova ili dijelova koje odobrava GARDENA.

### **ro Răspunderea pentru produs**

În conformitate cu Legea germană privind răspunderea pentru produs, declarăm în mod expres prin prezentul document că nu acceptăm nicio răspundere pentru defecțiunile suferite de produsele noastre atunci când acestea nu au fost reparate în mod corect de un atelier de service partener, aprobat de GARDENA, sau când nu au fost utilizate piese GARDENA originale sau piese autorizate de GARDENA.

### **bg Отговорност за вреди, причинени от стоки**

Съгласно германския Закон за отговорността за вреди, причинени от стоки, с настоящото изрично декларираме, че не носим отговорност за щети, причинени от нашите продукти, ако те не са били правилно ремонтирани от одобрен от GARDENA сервиз или ако не са използвани оригинални части на GARDENA или части, одобрени от GARDENA.

### **et Tootevastutus**

Vastavalt Saksamaa tootevastutusseadusele deklareerime käesolevaga selgesõnaliselt, et me ei kannu mingisugust vastutust meie toodetest tingitud kahjude eest, kui need tooted ei ole korrektsel parandatud GARDENA heakskiidetud hoolduspartneri poolt või kui parandamisel ei ole kasutatud GARDENA originaalosi või GARDENA volitatud osi.

### **lt Gaminio patikimumas**

Mes aiškiai pareiškiamo, kad, atsižvelgiant į Vokietijos gaminių patikimumo įstatymą, neprisiimame atsakomybės dėl bet kokios žalos, patirtos dėl mūsų gaminių, jeigu jie buvo netinkamai taisomi arba jų dalys buvo pakeistos neoriginaliomis GARDENA dalimis ar nepatvirtintomis dalimis, arba jeigu remonto darbai buvo atliekami ne GARDENA techninės priežiūros centro specialistų.

### **lv Atbildība par produkcijas kvalitāti**

Saskaņā ar Vācijas likumu par atbildību par produkcijas kvalitāti ar šo mēs paziņojam, ka neuzņemamies atbildību par bojājumiem, kas radušies, lietojot mūsu izstrādājumus, kuru remontu nav veicis uzņēmuma GARDENA apstiprināts apkopes partneris vai kuru remontam netika izmantotas oriģinālās GARDENA detaļas vai detaļas, kuru lietošanu apstiprinājis uzņēmums GARDENA.

**de EU/UKCA-Konformitätserklärung**

Hiermit erklärt die GARDENA Manufacturing GmbH, dass der Funkanlagentyp (Art. 15021) der Richtlinie 2014/53/EU entspricht. Der vollständige Text der EU/UKCA-Konformitätserklärung ist unter folgender Internetadresse verfügbar:  
<http://www.gardena.com/int/support/safety-regulations>

**en EC/UKCA Declaration of Conformity**

Hereby, GARDENA Manufacturing GmbH declares that the radio equipment type (Art. 15021) is in compliance with directive 2014/53/EU. The full text of the EC/UKCA declaration of conformity is available at the following internet address:  
<http://www.gardena.com/int/support/safety-regulations>

**fr Déclaration de conformité CE/UKCA**

Par la présente, GARDENA Manufacturing GmbH déclare que le type d'installation radioélectrique (réf. 15021) est conforme à la directive 2014/53/UE. Le texte intégral de la déclaration de conformité européenne/UKCA est disponible sur Internet à l'adresse suivante : <http://www.gardena.com/int/support/safety-regulations>

**nl EU/UKCA-conformiteitsverklaring**

Hiermee verklaart GARDENA Manufacturing GmbH, dat het type radioapparatuur (Art. 15021) voldoet aan de richtlijn 2014/53/EU. De volledige tekst van de EU/UKCA-conformiteitsverklaring is beschikbaar op het volgende internetadres:  
<http://www.gardena.com/int/support/safety-regulations>

**sv EU/UKCA-försäkran om överensstämmelse**

Härmed försäkras GARDENA Manufacturing GmbH, att signaltrustningstypen (Art. 15021) uppfyller direktiv 2014/53/EU. Den kompletta texten för EU/UKCA-försäkran om överensstämmelse finns på följande webbadress:  
<http://www.gardena.com/int/support/safety-regulations>

**da EU/UKCA-overensstemmelseserklæring**

Herved erklærer GARDENA Manufacturing GmbH, at det trådløse anlæg (varenr. 15021) er i overensstemmelse med direktivet 2014/53/EU. EU/UKCA-overensstemmelseserklæringens tekst findes i sin helhed på følgende internetadresse:  
<http://www.gardena.com/int/support/safety-regulations>

**fi EY/UKCA-vaatimustenmukaisuusvakuutus**

GARDENA Manufacturing GmbH vakuuttaa täten, että radiolaitteistotyyppi (tuotenro 15021) vastaa direktiiviä 2014/53/EU. EY/UKCA-vaatimustenmukaisuusvakuutuksen täydellinen teksti on saatavilla seuraavasta osoitteesta internetissä:  
<http://www.gardena.com/int/support/safety-regulations>

**it Dichiarazione di conformità UE/UKCA**

GARDENA Manufacturing GmbH dichiara con la presente che la tipologia di apparecchiatura radio (art. 15021) è conforme alla Direttiva 2014/53/UE. Il testo completo della dichiarazione di conformità UE/UKCA è disponibile al seguente indirizzo web:  
<http://www.gardena.com/int/support/safety-regulations>

**es Declaración de conformidad de la UE/UKCA**

Con la presente, GARDENA Manufacturing GmbH declara que el tipo de equipo radioeléctrico (ref. 15021) corresponde a la directiva 2014/53/UE. El texto completo de la Declaración de Conformidad de la UE/UKCA se puede consultar en la siguiente dirección de Internet: <http://www.gardena.com/int/support/safety-regulations>

**pt Declaração CE/UKCA de Conformidade**

A GARDENA Manufacturing GmbH declara, por este meio, que o tipo de equipamento de rádio (n.º ref.15021) cumpre a Diretiva 2014/53/UE. O texto na íntegra da declaração de conformidade UE/UKCA está disponível no seguinte endereço na Internet: <http://www.gardena.com/int/support/safety-regulations>

**pl Deklaracja zgodności UE/UKCA**

GARDENA Manufacturing GmbH oświadcza, że typ urządzenia radiowego (art. 15021) jest zgodny z Dyrektywą 2014/53/UE. Kompletny tekst deklaracji zgodności UE/UKCA jest dostępny pod adresem:  
<http://www.gardena.com/int/support/safety-regulations>

### **hu EU/UKCA megfelelőségi nyilatkozat**

A GARDENA Manufacturing GmbH ezennel kijelenti, hogy a rádióberendezés (cikksz. 15021) típusa megfelel a 2014/53/EU irányelv előírásainak. Az EU/UKCA szabvány-megfelelési nyilatkozat teljes szövege a következő internet címen áll rendelkezésre: <http://www.gardena.com/int/support/safety-regulations>

### **cs EU/UKCA prohlášení o shodě**

Timto prohlašuje GARDENA Manufacturing GmbH, že rádiová zařízení (č.v. 15021) odpovídají směrnicí 2014/53/EU. Úplný text EU/UKCA prohlášení o shodě je k dispozici na následující adrese: <http://www.gardena.com/int/support/safety-regulations>

### **sk EÚ/UKCA vyhlásenie o zhode**

Spoločnosť GARDENA Manufacturing GmbH týmto vyhlasuje, že typ rádiového zariadenia (č.v. 15021) je v zhode so smernicou 2014/53/EU. Celý text EU/UKCA vyhlásenia o zhode nájdete na tejto internetovej adrese: <http://www.gardena.com/int/support/safety-regulations>

### **el Δήλωση συμμόρφωσης ΕΕ/UKCA**

Με το παρόν η GARDENA Manufacturing GmbH δηλώνει ότι ο τύπος του συστήματος ραδιοσυχνότητας (Κωδ. 15021) πληροί τις απαιτήσεις της οδηγίας 2014/53/ΕΕ. Το πλήρες κείμενο της δήλωσης συμμόρφωσης ΕΕ/UKCA διατίθεται στην παρακάτω ηλεκτρονική διεύθυνση: <http://www.gardena.com/int/support/safety-regulations>

### **sl Izjava EU/UKCA o skladnosti**

Podjetje GARDENA Manufacturing GmbH izjavlja, da tip radijske naprave (art.-št. 15021) ustreza Direktivi 2014/53/EU. Celoten besedilo EU/UKCA-izjave o skladnosti je na voljo na naslednjem spletnem naslovu: <http://www.gardena.com/int/support/safety-regulations>

### **hr EU/UKCA izjava o sukladnosti**

Ovimе tvrtka GARDENA Manufacturing GmbH izjavljuje da tip radijskog sustava (br. art. 15021) odgovara Direktivi 2014/53/EU. Kompletan tekst EU/UKCA izjave o sukladnosti dostupan je na sljedećoj internetskoj stranici: <http://www.gardena.com/int/support/safety-regulations>

### **ro Declarație de conformitate UE/UKCA**

Prin prezenta GARDENA Manufacturing GmbH declară că tipul de echipament hertzian (art. 15021) corespunde Directivei 2014/53/UE. Textul complet al Declarației de conformitate UE/UKCA este disponibil la următoarea adresă de Internet: <http://www.gardena.com/int/support/safety-regulations>

### **bg ЕС/UKCA-Декларация за съответствие**

GARDENA Manufacturing GmbH декларира с настоящото, че типът радиооборудване (Art. 15021) отговаря на Директива 2014/53/ЕС. Пълният текст на ЕС/UKCA Декларацията за съответствие е на разположение на следния интернет-адрес: <http://www.gardena.com/int/support/safety-regulations>

### **et EL/UKCA-i vastusdeklaratsioon**

Käesolevaga kinnitab GARDENA Manufacturing GmbH, et radioseadmete tüüp (art 15021) vastab direktiivile 2014/53/EL. EL/UKCA-i vastusdeklaratsiooni täielik tekst on saadaval järgmiselt internetiaadressil: <http://www.gardena.com/int/support/safety-regulations>

### **lt ES/UKCA atitikties deklaracija**

GARDENA Manufacturing GmbH patvirtina, kad radijo ryšio įrenginių tipas (gaminys 15021) atitinka Direktyvą 2014/53/ES. Visą ES/UKCA atitikties deklaracijos tekstą galite rasti šiuo interneto adresu: <http://www.gardena.com/int/support/safety-regulations>

### **lv ES/UKCA atbilstības deklarācija**

Ar šo uzņēmums GARDENA Manufacturing GmbH deklarē, ka radioiekārtas tips (preces nr. 15021) atbilst Direktīvas 2014/53/ES prasībām. ES/UKCA atbilstības deklarācijas teksta pilna versija ir pieejama šādā tīmekļa vietnē: <http://www.gardena.com/int/support/safety-regulations>

**Deutschland/Germany**

GARDENA Manufacturing GmbH  
Central Service  
Hans-Lorenser-Straße 40  
D-89079 Ulm  
Produktfragen:  
(+49) 731 490-123  
Reparaturen:  
(+49) 731 490-290  
service@gardena.com  
http://www.gardena.com

**Albania**

KRAFT SHPK  
Autostrada Tirane-Durres  
Km 7  
1051 Tirane  
Phone: (+355) 69 877 7821  
info@kraft.al

**Argentina**

ROBERTO C. RUMBO S.R.L.  
Predio Norlog  
Lote 7  
Benavidez, ZC: 1621  
Buenos Aires  
ventas@rumbosrl.com.ar

**Armenia**

AES Systems LLC  
Marshal Babajanyan Avenue 56/2  
0022 Yerevan  
Phone: (+374) 60 651 651  
masisohanyan@icloud.com

**Australia**

Husqvarna Australia Pty. Ltd.  
Locked Bag 5  
Central Coast BC  
NSW 2252  
Phone: (+ 61) (0) 2 4352 7400  
customer.service@husqvarna.com.au

**Austria/Österreich**

Husqvarna Austria GmbH  
Industriezeile 36  
4010 Linz  
Tel.: (+43) 732 77 01 01-485  
service.gardena@husqvarnagroup.com

**Azerbaijan**

Proqres Xüsusi Firması  
Aliyev Aliyev 212, Baku, Azerbaijan  
Sales: +994 70 326 07 14  
AfterSales: +994 77 326 07 14  
www.progress-garden.az  
info@progress-garden.az

**Bahrain**

M.H. Al-Mahroos  
BUILDING 208, BLOCK 356,  
ROAD 328  
Saliha  
Phone: +973 1740 8090  
almahroos@almahroos.com

**Belarus/Беларусь**

ООО «Мастер Гарден»  
220118, г. Минск,  
улица Шаранговича, дом 7а  
Тел.: (+375) 17 257 00 33  
mg@mastergarden.by

**Belgium**

Husqvarna Belgium nv  
Gardena Division  
Leuvensesteenweg 542  
Planet II E  
1930 Zaventem  
België

**Bosnia/Herzegovina**

Silk Trade d.o.o.  
Poslovna Zona Vila Br. 20  
Phone: (+387) 61 165 593  
info@silkttrade.com.ba

**Brazil**

Nordtech Maquinas e Motores Ltd.  
Avenida Juscelino Kubitschek de Oliveira  
Curitiba  
3003 Brazil  
Phone: (+55) 41 3595-9600  
contato@nordtech.com.br  
www.nordtech.com.br

**Bulgaria**

AGROLAND България АД  
бул. 8 Декември, № 13  
Офис 5  
1700 Студентски град  
София  
Тел.: (+359) 24 66 6910  
info@agroland.eu

**Canada/USA**

GARDENA Canada Ltd.  
100 Summerlea Road  
Brampton, Ontario L6T 4X3  
Phone: (+1) 905 792 93 30  
info@gardenacanada.com

**Chile**

REPRESENTACIONES JCE S.A.  
2286 Avenida General Oscar Bonilla  
Concepcion  
Phone: (+ 56) 2 2414 2600  
contacto@jce.cl

**China**

Husqvarna (Shanghai)  
Management Co., Ltd.  
富世华 (上海) 管理有限公司  
3F, Beng Square B,  
No207, Song Hong Rd.,  
Chang Ning District,  
Shanghai, PRC. 200335  
上海市长宁区淞虹路207号明  
基广场B座3楼, 邮编: 200335

**Colombia**

Equipos de Toyama Colombia SAS  
Cra. 68 D Nº 25 B 86 Of. 618  
Edificio Torre Central  
Bogota  
Phone: +57 (1) 703 95 20  
+57 (1) 703 95 22  
servicioalcliente@toyama.com.co  
www.toyama.com.co

**Costa Rica**

Exim CIA Costa Rica  
Calle 25A, B°. Monteleagre  
Zapote  
San José  
Costa Rica  
Phone: (+506) 2221-5654  
(+506) 2221-5659  
eximostarica@gmail.com

**Croatia**

Husqvarna Austria GmbH  
Industriezeile 36  
4010 Linz  
Phone: (+43) 732 77 01 01-485  
service.gardena@husqvarnagroup.com

**Cyprus**

Pantelis Papadopoulos S.A.  
92 Athinon Avenue  
Athens  
10442 Greece  
Phone: (+30) 21 0519 3100  
info@papadopoulos.com.gr

**Czech Republic**

Gardena  
Service Center Vrbo  
c/o Husqvarna  
Manufacturing CZ s.r.o.  
Jesenická 146  
79326 Vrbo pod Prademem  
Phone: 800 100 425  
servis@gardena.cz

**Denmark**

GARDENA DANMARK  
Lejrevej 19, st.  
3500 Værløse  
Tlf.: (+45) 70 26 47 70  
husqvarna@husqvarna.dk  
www.gardena.com/dk

**Dominican Republic**

BOSQUESA S.R.L  
Carretera Santiago Licey  
Km. 5 ½  
Esquina Copal II,  
Santiago De Los Caballeros  
51000 Dominican Republic  
Phone: (+1) 809-562-0476  
contacto@bosquesa.com.do

**Egypt**

Universal Agencies Co  
26, Abdel Hamid Lotfy St.  
Giza  
Phone: 3761 57 57  
https://gardeningegypt.com/  
hany.masoud@univag.org

**Estonia**

Husqvarna Eesti OÜ  
Valdeku 132  
EE-11216 Tallinn  
info@gardena.ee

**Finland**

Oy Husqvarna Ab  
Gardena Division  
Lautatarhankatu 8 B / PL 3  
00581 HELSINKI  
www.gardena.fi

**France**

Husqvarna France  
9/11 Allée des pierres mayettes  
92635 Gennevilliers Cedex  
France  
http://www.gardena.com/fr  
N° AZUR: 0 810 00 78 23  
(Prix d'un appel local)

**Georgia**

Transporter LLC  
#70, Beldashvili street  
0159 Tbilisi, Georgia  
Number: (+995) 322 14 71 71  
info@transporter.com.ge  
www.transporter.com.ge

**Service Address and  
Importer to Great Britain**

Husqvarna UK Ltd  
Preston Road  
Aycliffe Industrial Park  
Newton Aycliffe  
County Durham  
DL5 6UP  
Phone: (+44) (0) 344 844 4558  
info.gardena@husqvarna.co.uk

**Greece**

Π.ΠΑΠΑΔΟΠΟΥΛΟΣ ΑΕΒΕ  
Λεωφ. Αθηνών 92  
Αθήνα  
T.K.104 42  
Ελλάδα  
Τηλ. (+30) 210 5193 100  
info@papadopoulos.gr

**Hong Kong**

Tung Tai Company  
151-153 Hoi Bun Road  
Kwun Tong, Kowloon  
Hong Kong  
Phone: (+852) 3583 1662  
admin@tungtaico.com

**Hungary**

Husqvarna Magyarországi Kft.  
Ezred u. 1 – 3  
1044 Budapest  
Phone: (+36) 1 251-4161  
vevooszalgalat.husqvarna@husqvarna.hu

**Iceland**

BYKO ehf.  
Skennumvegi 2a  
200 Kópavogur  
Phone: (+354) 515 4000  
byko@byko.is

MHG Verslun ehf  
Vikurhvarf 8  
203 Kópavogur  
Phone: (+354) 544 4656

**India**

B K RAMAN AND CO  
Plot No. 185, Industrial Area,  
Phase-2, Ram Darbar  
Chandigarh  
160002 India  
Phone: (+91) 98140 06530  
raman@jaganhardware.com

**Iraq**

Alshiemal Alakhdar Company  
Al-Faysaliah, Near Estate Bank  
Mosul  
Phone: (+964) 78 18 18 46 75

**Ireland**

Liffey Distributors Ltd.  
309 NW Business Park, Ballycoolen  
15 Dublin  
Phone: (+353) 1 824 2600  
info@liffeyd.com

**Israel**

HAGARIN LTD.  
2 Nahal Harif St.  
8122201 Yavne  
internet@hagarin.co.il  
Phone: (+972) 8-932-0400

**Italy**

Husqvarna Italia S.p.A.  
Via Santa Vecchia 15  
23868 VALMADRERA (LC)  
Phone: (+39) 0341.203.111  
assistenza.italia@it.husqvarna.com

**Japan**

Husqvarna Zenoah Co. Ltd. Japan  
1-9 Minamidai, Kawagoe  
350-1165 Saitama  
Japan  
gardena-jp@husqvarnagroup.com

**Kazakhstan**

ТОО „Ламэд“  
*Russian*  
Адрес: Казахстан, г. Алматы,  
ул. Тажибаевой, 155/1  
Тел.: (+7) (727) 355 64 00  
(+7) (700) 355 64 00  
lamed@lamed.kz

*Kazakh*

Мекен-жайы: Қазақстан,  
Алматы қ.,  
көш. Тажибаевой, 155/1  
Тел.: (+7) (727) 355 64 00  
(+7) (700) 355 64 00  
lamed@lamed.kz

**Korea**

Kyung Jin Trading Co., Ltd  
107-4, Sunduk Bldg, Yangjae-Dong  
Sechoo-Gu  
137-891 Seoul  
Phone: (+82) 2 574 6300  
kjh@kjh.co.kr

**Kuwait**

Palms Agro Production Co  
Al Rai- Fourth Ring Road – Block 56.  
P.O Box: 1976 Safat  
13020 Al-Rai  
Phone: 2473 0745  
info@palms-kw.com

**Kyrgyzstan**

ООsO Alye Maki  
Av. Moladaya Gvardia 83  
720014 Bishkek  
Phone: (+996) 312 322115

**Latvia**

Husqvarna Latvija SIA  
Ulbrokas 19A  
LV-1021 Riga  
info@gardena.lv

**Lebanon**

Technomec  
Safra Highway (Beirut – Tripoli) Center  
622 Mezher Bldg.  
P.O.Box 215  
Jounieh  
Phone: (+961) 9 853527  
(+961) 3 855481  
tecnomec@idm.net.lb

**Lithuania**

UAB Husqvarna Lietuva  
Ateities pl. 77C  
LT-52104 Kaunas  
info@gardena.lt

**Luxembourg**

Husqvarna Jules Neuberg  
39, rue Jacques Stas  
Luxembourg-Gasperich 2549  
Case Postale No. 12  
Luxembourg 2010  
Phone: (+352) 40 14 01  
api@neuberg.lu

**Malaysia**

Glomed Enterprises Sdn Bhd  
Jalan Ruang No. 30  
Shah Alam, Selangor  
40150 Malaysia  
Phone: (03)-7734 7997  
oase@glomedic.com.my

**Malta**

I.V. Portelli & Sons Ltd.  
85, 86, Triq San Pawl  
Rabat - RBT 1240  
Phone: (+356) 2145 4289

**Mauritius**

Espace Maison Ltée  
La City Trianon, St Jean  
Quatre Bornes  
Phone: (+230) 401 6950  
info@espacemaison.mu

**Mexico**

AFOSA  
Av. Lopez Mateos Sur # 5019  
Col. La Calma 45070  
Zapopan, Jalisco, Mexico  
Phone: (+52) 33 3818-3434  
isolis@afosa.com.mx

**Moldova**

Convel SRL  
Republica Moldova,  
mun. Chisinau,  
sos. Muncessti 284  
Phone: (+373) 22 857 126  
www.convel.md

**Mongolia**

Soyolj Gardening Shop  
Narnii Rd  
Ulaanbaatar  
14230 Mongolia  
Phone: +976 7777 5080  
soyolj@magjinet.mn

**Morocco**

Proekip  
64 Rue de la Participation  
Casablanca-Roches Noires  
20303 Morocco  
Phone: (+212) 661342107  
hicham.hafani@proekip.ma

**Netherlands**

Husqvarna Nederland B.V.  
GARDENA Division  
Postbus 50131  
1305 AC ALMERE  
Phone: (+31) 36 521 00 10  
info@gardena.nl

**Neth. Antilles**

Jonka Enterprises N.V.  
Sta. Rosa Weg 196  
P.O. Box 8200  
Curaçao  
Phone: (+599) 9 767 66 55  
info@jonka.com

**New Zealand**

Husqvarna New Zealand Ltd.  
PO Box 76-437  
Manukau City 2241  
Phone: (+64) (0) 9 9202410  
support.nz@husqvarna.co.nz

**North Macedonia**

Sinpeks d.o.o.  
Ul. Kravarski Pat Bb  
7000 Bitola  
Phone: (+389) 47 20 85 00  
sinpeks@mt.net.mk

**Norway**

Husqvarna Norge AS  
Gardena Division  
Traskemeiweien 36  
1708 Sarpsborg  
info@gardena.no

**Northern Cyprus**

Mediterranean Home & Garden  
No 150 Alsancak, Karaöglanözü  
Caddesi  
Girne  
Phone: (+90) 392 821 33 80  
info@medgardener.com

**Oman**

General Development Services  
PO 1475, PC - 111  
Seeb  
111 Oman  
Phone: 9 68 24 58 28 16  
gdsoman@gdsoman.com

**Paraguay**

Agrofield SRL  
AV. CHOFERES DEL CHACO  
1449 C/25 DE MAYO  
Asuncion  
Phone: (+595) 21 608 656  
consultas@agrofield.com.py

**Peru**

Sierras y Herramientas  
Forestal SAC  
Av. Las Gaviotas 833, Chorrillos  
Lima  
Phone: (+51) 1 252 0252  
supervisorventas1@siersac.com  
www.siersac.com

**Philippines**

Royal Dragon Traders Inc  
10 Linaw Street, Barangay  
Saint Peter  
Quezon City  
1114 Philippines  
Phone: (+63) 2 7426893  
aida.fernandez@rdti.com.ph

**Poland**

Gardena Service Center Vrbno  
c/o Husqvarna Manufacturing  
CZ s.r.o.  
Jesenická 146  
79326 Vrbno pod Pradědem  
Czech Republic  
Phone: (22) 336 78 90  
servis@gardena.pl

**Portugal**

Husqvarna Portugal, SA  
Lagoa - Albarraque  
2635 - 595 Rio de Mouro  
Phone: (+351) 21 922 85 30  
Fax : (+351) 21 922 85 36  
info@gardena.pt

**Romania**

Madex International Srl  
Soseaua Odaii 117 - 123,  
RO 013603 București, S1  
Phone: (+40) 21 352 7603  
madex@ines.ro

**Russia / Россия**

ООО „Хускарна“  
141400, Московская обл.,  
г. Химки,  
улица Ленинградская,  
владение 39, стр.6  
Бизнес Центр  
„Химки Бизнес Парк“,  
помещение ОБО2\_04  
http://www.gardena.ru

**Saudi Arabia**

SACO  
Takhassusi Main Road P.O.  
Box: 86387  
Riyadh 12863  
40011 Saudi Arabia  
Phone: (966) 11 482 8877  
webmaster@saco-ksa.com

**Serbia**

Domel d.o.o.  
Slobodana Đurića 21  
11000 Belgrade  
Phone: (+381) 11 409 57 12  
office@domel.rs

**Singapore**

Hy-Ray PRIVATE LIMITED  
40, Jalan Pemimpin  
#02-08 Tat Ann Building  
Singapore 577185  
Phone: (+65) 6253 2277  
info@hyray.com.sg

**Slovak Republic**

Gardena  
Service Center Vrbno  
c/o Husqvarna  
Manufacturing CZ s.r.o.  
Jesenická 146  
79326 Vrbno pod Pradědem  
Phone: 0800 154044  
servis@gardena.sk

**Slovenia**

Husqvarna Austria GmbH  
Industriezeile 36  
4010 Linz  
Phone: (+43) 732 77 01 01-485  
service.gardena@husqvarna-  
group.com

**South Africa**

Husqvarna South Africa (Pty) Ltd  
Lifestyle Business Park – Ground  
Floor Block A  
Cnr Beyers Naude Drive and  
Ysterhout Road  
Randpark Ridge, Randburg  
Phone: (+27) 10 015 5750  
service@gardena.co.za

**Spain**

Husqvarna España S.A.  
Calle de Rivas nº 10  
28052 Madrid  
Phone: (+34) 91 708 05 00  
atencioncliente@gardena.es

**Sri Lanka**

Hunter & Company Ltd.  
130 Front Street  
Colombo  
Phone: 94-11 232 81 71  
hunters@eureka.lk

**Suriname**

Deto Handelmaatschappij N.V.  
Kernkampweg 72-74  
P.O. Box: 12782  
Paramaribo  
Suriname  
Phone: (+597) 43 80 50  
info@deto.sr

**Sweden**

Husqvarna AB /  
GARDENA Sverige  
Drottninggatan 2  
561 82 Huskvarna  
Sverige  
Phone: (+46) (0) 36-14 60 02  
info@gardena.se

**Switzerland / Schweiz**

Husqvarna Schweiz AG  
Consumer Products  
Industriestrasse 10  
5506 Mägenwil  
Phone: (+41) (0) 62 887 37 90  
info@gardena.ch

**Taiwan**

Hong Ying Trading Co., Ltd.  
No. 46 Wu-Kun-Wu Road  
New Taipei City  
Phone: (+886) (02) 2298 1486  
salesgd1@7friends.com.tw

**Tajikistan**

ARIERS JV LLC  
39, Ajni Street, 734024  
Dushanbe, Tajikistan

**Thailand**

Spica Co. Ltd  
243/2 Onnuh Rd., Prawat  
Bangkok  
10250 Thailand  
Phone: (+66) (0)2721 7373  
surapong@spica-siam.com

**Tunisia**

Société du matériel agricole et  
maritime  
Nouveau port de peche de  
Stax Bp 33  
Stax 3065, Tunisia  
www.smamtunisia.com  
Soulaymen Majdoub  
Soulaymen@smamtunisia.com

**Turkey**

Dost Bahçe  
Yurus Mah. Adil Sk. No:3  
Kartal  
Istanbul  
34873 Turkey  
Phone: (+90) 216 389 39 39  
info@dostbahce.com.tr  
www.dostbahce.com.tr

**Turkmenistan**

I.E. Orazmuhammedov  
Nurmuhamet  
80 Ataturk, BERKARAR Shopping  
Center,  
Ground floor, A77b,  
Ashgabat 744000  
TURKMENISTAN  
Phone: (+993) 12 468859  
Mob: (+993) 62 222887  
info@jayhyzmat.com /  
bekgiyev@jayhyzmat.com  
www.jayhyzmat.com

**UAE**

Al-Futtaim ACE Company  
L.L.C Building, Al Rebat Street  
Festival City, Dubai  
7880 UAE  
Phone: (+971) 4 206 6700  
ace@alfuttaim.ae

**Ukraine / Україна**

AT «Альцест»  
вул Петропавлівська 4  
08130, Київська обл. Києво-  
Святошинський  
р-н, с. Петропавлівська  
Борщагірка  
Україна  
Тел.: (+38) 0 800 503 000

**Uruguay**

FEL SA  
Entre Rios 1083  
11800 Montevideo  
Phone: (+598) 2203 18 44  
info@felisa.com.uy

**Uzbekistan**

AGROHOUSE MChJ  
O'zbekiston, 111112  
Toshkent viloyati  
Toshkent tumani  
Hasanboy QFY, THAY yoqasida  
Phone: (+998)-93-5414141  
(+998)-71-2096888  
info@agro.house  
www.agro.house

**Vietnam**

Vision Joint Stock Company  
No. 09, Lot E2/D21, Ton That  
Thuyet Street, Dich Vong Hau  
Commune  
Cau Giay District, Hanoi  
Phone: (+8424)-38462833/34  
quynhnm@visionjsc.com.vn

**Zimbabwe**

Cutting Edge  
159 Citreou Rd, Msasa  
Harare  
Phone: (+263) 8677 008685  
sales@cuttingedge.co.zw

15021-20.960.04/1122  
© GARDENA Manufacturing GmbH  
D-89079 Ulm  
http://www.gardena.com