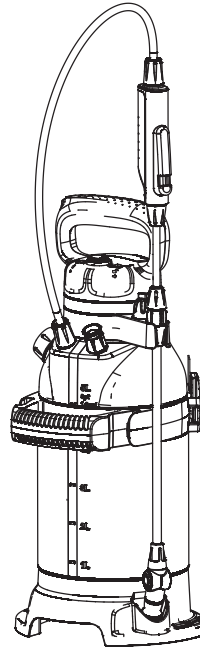


5L EasyPump 型号11136-39

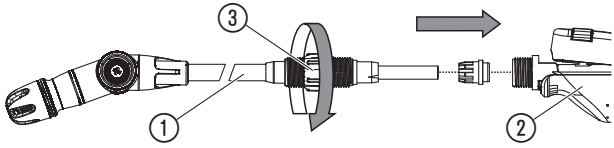


EN Operator's manual

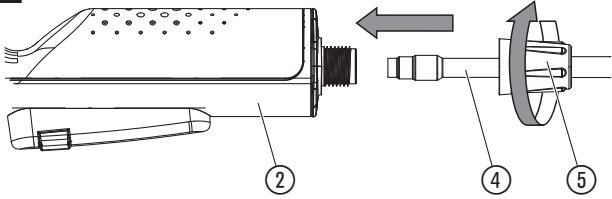
Pressure Sprayer

制造商： 嘉丁拿制造有限公司 (GARDENA Manufacturing GmbH)
地址： 德国乌尔姆市汉斯洛伦瑟大街 40 号
电话： +49 (0) 731 490 - 0
售后服务： 富世华 (上海) 管理有限公司
 上海市长宁区淞虹路 207 号明基广场 B 座 3 楼
客服电话： 4008700292

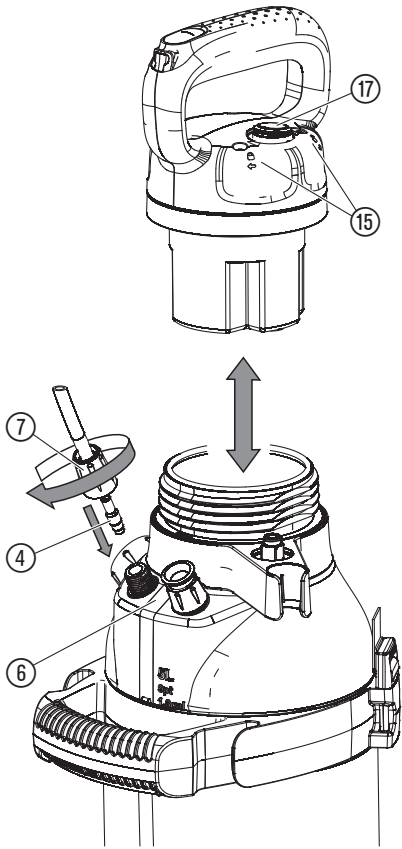
A1



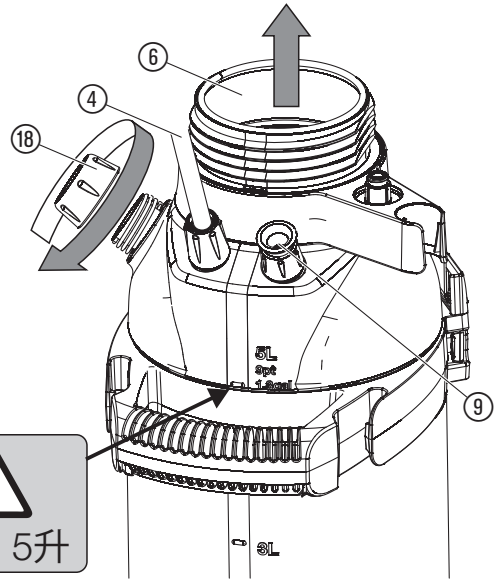
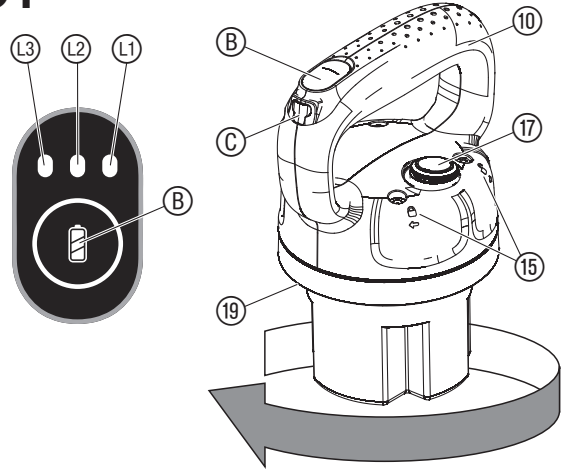
A2



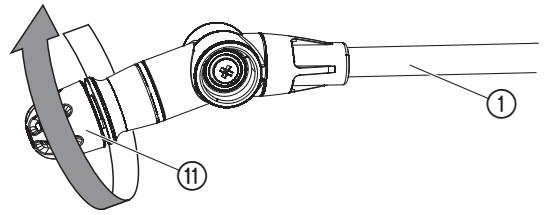
A3



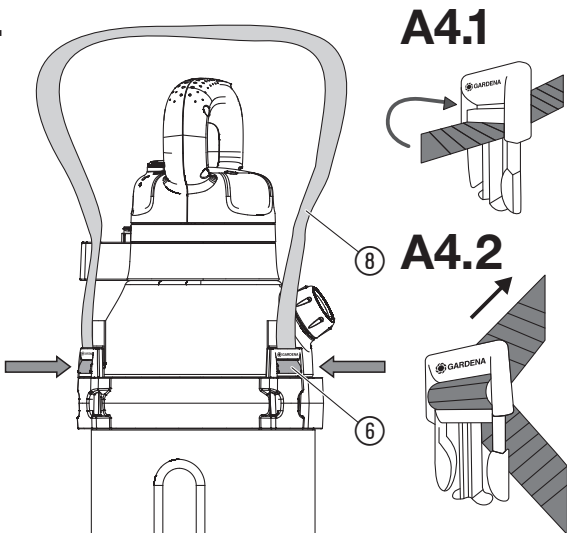
O1



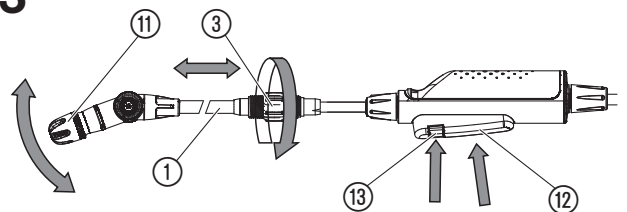
O2



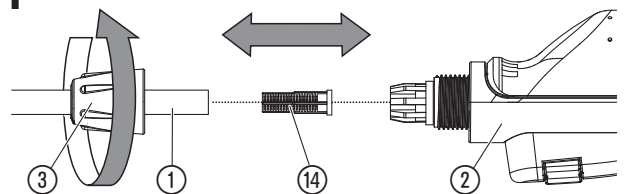
A4



O3



T1



EN GARDENA Pressure Sprayer 5L EasyPump

Translation of the original instructions.

This product may be used under supervision, or if instruction regarding the safe use of the product has been provided and the resulting dangers have been understood, by persons with physical, sensory or mental disabilities or a lack of experience and knowledge. Children must not play with the product. Never operate the product when you are tired, ill or under the influence of alcohol, drugs or medicine.

Read the operator's manual carefully before use and keep for future reference.

Intended use:

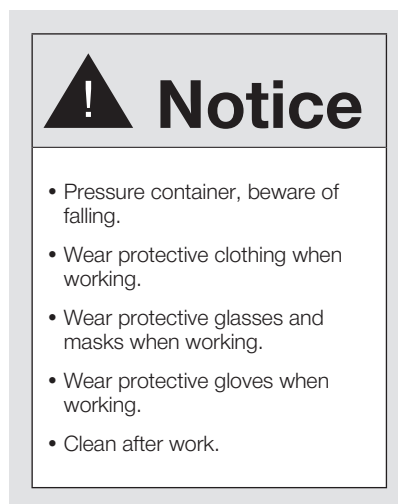
Please follow the manufacturer's instructions for pesticide treatment. The GARDENA Pressure Sprayer is intended for distributing solvent-free liquid pesticides¹⁾, herbicides¹⁾, fertilisers¹⁾, window cleaners¹⁾, and car wax¹⁾ in domestic gardens and allotments. It must not be used in public places, parks, sport arenas or forestry. Compliance with the specifications in this operating manual is a requirement for the proper use of the Pressure Sprayer.

¹⁾ According to the Plant Protection Law as well as the Detergents and Cleaning Agents Law, only approved agents may be used (authorised specialist dealers).

Please note:

Due of the risk of physical injury, the GARDENA Pressure Sprayer must not be used for spraying substances other than those specified by GARDENA. Also, no acids, disinfectants or impregnators, aggressive and solvent-containing cleaning agents, petrol or spray oil may be sprayed. Do not use special working liquid. According to the instructions provided by the pesticide manufacturer, dispose the packaging and residual liquid properly.

1. SAFETY



Electrical safety:

It must be observed that no liquid may be directed directly at electrical devices and equipment containing electrical components. If used incorrectly or if the batteries are damaged, flammable liquid may be ejected from the batteries. Contact with this liquid should be avoided. If contact accidentally occurs, rinse off with water. If the liquid comes into contact with your eyes, seek additional medical attention.

Danger of physical injuries:

Never open the Pressure Sprayer or unscrew the nozzle and the dosing cap when the Pressure Sprayer is still pressurised. To prevent injury, never connect the Pressure Sprayer to an air-compressor.

Always hold the Pressure Sprayer upright before the safety relief valve ① (Fig. 01) is pulled.

When spraying insecticides, herbicides and fungicides or other liquid plant protection products, you must comply with all special precautionary measures specified by the manufacturer of the product you are using.

Before each opening of the Pressure Sprayer, thoroughly release pressure by pulling the safety relief valve ①.

DANGER! Small parts can be easily swallowed. There is also a risk that the polybag can suffocate toddlers. Keep toddlers away when you assemble the product.

Operation:

CAUTION: The tank may only be filled with a maximum of 5 litres liquid. Inspect the Pressure Sprayer visually before each use. Never leave your Pressure Sprayer unattended or for long periods when full and pressurised. Keep the unit out of the reach of children. You are responsible for the safety of others. Keep your Pressure Sprayer away from heat sources

and hot environments. Screw on the pump handle ⑩ tightly by hand (do not use tools) and ensure that the O-ring ⑨ (Fig. 01) is positioned correctly. The On/Off switch may only be switched to **I** when the pump handle is screwed on the container.

Only charge the battery at an ambient temperature which is between 0 °C and +40 °C. If the temperature of the battery is outside the permissible charging temperature range, the battery cannot be charged. As soon as the permitted temperature range is reached, the battery is charged.

Cleaning:

Release the pressure after each use, empty the container, clean it carefully and rinse with clear water. Then leave the pressure sprayer open and allow it to dry. Do not dispose of residual fluids in the sewerage system (local disposal systems). Always clean the Pressure Sprayer before using a different product to avoid chemical reactions. When using several Pressure Sprayers, the tanks and spray nozzle may not be exchanged between them. We recommend that you have your Pressure Sprayer thoroughly inspected (preferably at a GARDENA Service Centre) after using it for 5 years.

Storage:

Before storing, loosen the tank cap and always empty your Pressure Sprayer completely (also after cleaning with water). Store away from frost. If you use the permanent lock ⑬ (Fig. 03) pay attention that you work very carefully. Never store the Pressure Sprayer using the permanent lock. Carry the pressure sprayer by the carrying strap ⑧ or the handle ⑩. Make sure that the product is protected from direct sunlight. The product may heat up.

2. ASSEMBLY

- Fig. A1:** Slide the spray lance ① into the hand valve ② and screw on the union nut ③.
- Fig. A2:** Slide the spray hose ④ into the hand valve and screw on the union nut ⑤.
- Fig. A3:** Slide the spray hose ④ into the container and screw on the union nut ⑦.
- Fig. A4: (A4.1)** Pass the carrying strap ⑧ through the **lower** slot of the buckle so that the GARDENA inscription is visible at the front. **(A4.2)** Pass the end of the strap through the **upper** slot of the buckle. Fasten the buckles to the container ⑥. Make sure there is a firm connection between belt–buckle and buckle–container.

3. OPERATION

To charge the battery [Fig. 01]:

The 5 V power supply unit with USB socket is not included. The battery is delivered partially charged. To ensure the full performance of the battery, fully charge the battery before the first use.

- Plug the supplied USB-C charging cable into the charging socket ①.
- Plug the charging cable into the power supply unit.

LED indicators:

① illuminates	1 % – 32 % charged
① and ② illuminate	33 % – 65 % charged
①, ② and ③ illuminate	66 % – 99 % charged
LEDs off	fully charged

The charge status of the battery can also be called up during operation by pushing the battery button ⑧.

To spray the liquid [Fig. 01/02/03]:

Please observe the safety and proportioning instructions provided by the manufacturer of the product you are going to spray.

- Check the pump handle ⑩ for leaks.
- Pull the safety relief valve ⑨.
- Unscrew the pump handle ⑩ **or** the dosing cap ⑩ and fill the container ⑥.
- If necessary, fill in an additive via the dosing cap ⑩. (Scale with 10 and 20 ml).
- Screw the pump handle ⑩ **or** the dosing cap ⑩ back onto the container ⑥.
- If necessary, loosen the union nut ③ and adjust the lance to the desired length.
- Switch the On/Off switch ⑦ to position **I**. *The pump starts and when the pressure in the tank is built up, the pump stops.*
- Adjust the spray jet (clockwise rotation → spray mist; counterclockwise rotation → spray jet) and the spray angle via the nozzle ⑪.
- Push the spray button ⑫ to spray the liquid. *The pressure is then released and the pump starts up again.*

After use, switch the on/off switch to position **0** and pull the safety relief valve ⑨.

4. MAINTENANCE

To clean the pressure sprayer:

Always clean your Pressure Sprayer after spraying. Use the Pressure Sprayer only with clear water (possibly with addition of dish detergent) and spray empty. The valves, the spray lance ①, the nozzle ⑪ and the filter ⑭ are cleaned. In the case of outer dirtying of cover and tank, thoroughly clean the area thread and thread-O-ring ⑩.

Check the safety relief valve ⑨ for smooth running.

5. STORAGE

To put into storage:

- Clean the pressure sprayers (see 4. MAINTENANCE).
- Store the pressure sprayer in a frost-free place.

6. TROUBLESHOOTING

To clean the filter [Fig. T1]:

→ Unscrew the spray lance ①, remove the filter ⑭ and clean it.

Problem	Possible Cause	Remedy
Pump does not build up pressure	Handle ⑩ or the dosing cap ⑩ too lightly screwed on.	→ Screw on handle ⑩ or the dosing cap ⑩ tighter.
	Hose connection at the container and hand valve is not tight.	→ Tighten the hose connections at the container and hand valve.
	Permanent lock ⑬ on the handle is locked.	→ Release the permanent lock ⑬ on the handle.
Pressure Sprayer does not spray although there is sufficient pressure or only sprays with a weak spray jet	Nozzle ⑪ is blocked.	→ Unscrew nozzle ⑪ and clean.
	Filter ⑭ is clogged.	→ Remove filter ⑭ from the spray lance and clean it.
It is difficult to open and close the container	Container pressure too high.	→ Release the container pressure completely by means of the safety relief valve ⑨.

NOTE: For any other malfunctions please contact the GARDENA service department.

7. TECHNICAL DATA

Max. capacity	5 l
Spray tube length	42 – 72 cm
Battery charge time	approx. 3.5 h
Permissible working pressure	3 bar
Max. permissible operating temperature	40 °C

8. SERVICE/WARRANTY

Service:

Please contact the address on the back page.

Warranty statement:

The manufacturer's warranty can be viewed at:

www.gardena.com/warranty or Phone number +49 731 490 3773

This manufacturer's warranty is limited to replacement and repair of products in accordance with the abovementioned conditions. The manufacturer's warranty does not constitute an entitlement to lodge other claims against us as a manufacturer, such as for damages. This manufacturer's warranty does not, of course, affect statutory and contractual warranty claims against the dealer/retailer. The manufacturer's warranty is governed by the law of the Federal Republic of Germany.

DE Produkthaftung

Wir weisen ausdrücklich darauf hin, dass wir in Übereinstimmung mit dem Produkthaftungsgesetz nicht für Schäden haften, die durch unsere Produkte entstehen, wenn diese unsachgemäß und nicht durch einen von uns autorisierten Servicepartner repariert wurden oder wenn keine Original GARDENA Teile oder von uns zugelassene Teile verwendet wurden.

EN Product liability


In accordance with the German Product Liability Act, we hereby expressly declare that we accept no liability for damage incurred from our products where said products have not been properly repaired by a GARDENA-approved service partner or where original GARDENA parts or parts authorised by GARDENA were not used.

DE EU-Konformitätserklärung

Der Unterzeichnende bestätigt als Bevollmächtigte des Herstellers, der GARDENA Germany AB, PO Box 7454, S-103 92, Stockholm, Schweden, dass das (die) nachfolgend bezeichnete(n) Gerät(e) in der von uns in Verkehr gebrachten Ausführung die Anforderungen der harmonisierten EU-Richtlinien, EU-Sicherheitsstandards und produktspezifischen Standards erfüllt/erfüllen. Bei einer nicht mit uns abgestimmten Änderung des (der) Geräte(s) verliert diese Erklärung ihre Gültigkeit.

EN EC Declaration of Conformity

The undersigned hereby certifies as the authorized representative of the manufacturer, GARDENA Germany AB, PO Box 7454, S-103 92, Stockholm, Sweden, that, when leaving our factory, the unit(s) indicated below is/are in accordance with the harmonised EU guidelines, EU standards of safety and product specific standards. This certificate becomes void if the unit(s) is/are modified without our approval.

Produktbezeichnung: Description of the product:		Drucksprüher Pressure Sprayer	Anbringungsjahr der CE-Kennzeichnung: Year of CE marking:	
Produkttyp: Product type:	Artikelnummer: Article number:			2021
5L EasyPump	11136			
EU-Richtlinien: EC-Directives:	Hinterlegte Dokumentation: GARDENA Technische Dokumentation, M. Kugler 89079 Ulm	Ulm, den 26.04.2021 Ulm, 26.04.2021	Der Bevollmächtigte Authorised representative	
2006/42/EG 2014/30/EU 2011/65/EU	Deposited Documentation: GARDENA Technical Documentation, M. Kugler 89079 Ulm			
	Documentation déposée : Documentation technique GARDENA, M. Kugler 89079 Ulm			
Harmonisierte EN-Normen / Harmonised EN:				
	EN ISO 12100 EN 60335-1 EN 60335-2-54	Reinhard Pompe Vice President	Wolfgang Engelhardt Vice President Supply Chain	

Deutschland/Germany GARDENA Manufacturing GmbH Central Service Hans-Lorenser-Straße 40 D-89079 Ulm Produktfragen: (+49) 731 490-123 Reparaturen: (+49) 731 490-290 service@gardena.com http://www.gardena.com	Costa Rica Exim CIA Costa Rica Calle 25A, B°. Montalegre Zapote San José Costa Rica Phone: (+506) 2221-5654 (+506) 2221-5659 eximcostania@gmail.com	Ireland Liffey Distributors Ltd. 309 NW Business Park, Ballycoolen 15 Dublin Phone: (+353) 1 824 2600 info@liffeyd.com	Netherlands Husqvarna Nederland B.V. GARDENA Division Postbus 50131 1305 AC ALMERE Phone: (+31) 36 521 00 10 info@gardena.nl	South Africa Husqvarna South Africa (Pty) Ltd Lifestyle Business Park – Ground Floor Block A Cnr Beyers Naude Drive and Ysterhout Road Randpark Ridge, Randburg Phone: (+27) 10 015 5750 service@gardena.co.za
Albania KRAFT SHPK Autostrada Tirane-Durres Km 7 1051 Tirane Phone: (+355) 69 877 7821 info@kraft.al	Croatia Husqvarna Austria GmbH Industriezele 36 4010 Linz Phone: (+43) 732 77 01 01-485 service.gardena@husqvarnagroup.com	Israel HAGARIN LTD. 2 Nahal Harif St. 8122201 Yavne internet@hagarin.co.il Phone: (+972) 8-932-0400	Neth. Antilles Jonka Enterprises N.V. Sta. Rosa Weg 196 P.O. Box 8200 Curaçao Phone: (+599) 9 767 66 55 info@jonka.com	Spain Husqvarna España S.A. Calle de Rivas nº 10 28052 Madrid Phone: (+34) 91 708 05 00 atencioncliente@gardena.es
Argentina ROBERTO C. RUMBO S.R.L. Piedro Norlog Lote 7 Benavidez, ZC: 1621 Buenos Aires ventas@rumbosrl.com.ar	Cyprus Pantelis Papadopoulos S.A. 92 Atkinson Avenue Athens 10442 Greece Phone: (+30) 21 0519 3100 infocyp@papadopoulos.com.gr	Italy Husqvarna Italia S.p.A. Via Santa Vecchia 15 23868 VALMADRERA (LC) Phone: (+39) 0341.203.111 assistenza.italia@it.husqvarna.com	New Zealand Husqvarna New Zealand Ltd. PO Box 76-437 Manukau City 2241 Phone: (+64) (0) 9 9202410 support.nz@husqvarna.co.nz	Sri Lanka Hunter & Company Ltd. 130 Front Street Colombo Phone: 94-11 232 81 71 hurters@eureka.lk
Armenia AES Systems LLC Marshal Babajanyan Avenue 56/2 0022 Yerevan Phone: (+374) 60 651 651 masisohanyan@cloud.com	Czech Republic Gardena Service Center Vrbno c/o Husqvarna Manufacturing CZ s.r.o. Jesenická 146 79326 Vrbno pod Pradedem Phone: 800 100 425 servis@gardena.cz	Japan Husqvarna Zenoh Co. Ltd. Japan 1-9 Minamidai, Kawagoe 350-1165 Saitama Japan gardena-jp@husqvarnagroup.com	North Macedonia Sinpeks d.o.o. Ul. Kravarski Pat Bb 7000 Bitola Phone: (+389) 47 20 85 00 sinpeks@mt.net.mk	Suriname Deto Handelmaatschappij N.V. Kerinkampweg 72-74 P.O. Box: 12782 Paramaribo Suriname Phone: (+597) 438050 info@deto.sr
Australia Husqvarna Australia Pty. Ltd. Locked Bag 5 Central Coast BC NSW 2252 Phone: (+61) (0) 2 4352 7400 customer.service@husqvarna.com.au	Denmark GARDENA DANMARK Lejvej 19, st. 3500 Værløse Tel.: (+45) 70 26 47 70 husqvarna@husqvarna.dk www.gardena.com/dk	Kazakhstan ТОО "Ламед" Russian Адрес: Қазақстан, г. Алматы, ул. Тажибаевой, 155/1 Тел.: (+7) (727) 355 64 00 (+7) (700) 355 64 00 lamed@lamed.kz	Norway Husqvarna Norge AS Gardena Division Trøskerveien 36 1708 Sarpsborg info@gardena.no	Sweden Husqvarna AB / GARDENA Sverige Drottninggatan 2 561 82 Huskvarna Sverige Phone: (+46) (0) 36-14 60 02 info@gardena.se
Austria/Österreich Husqvarna Austria GmbH Industriezele 36 4010 Linz Tel.: (+43) 732 77 01 01-485 service.gardena@husqvarnagroup.com	Dominican Republic BOSQUESA, S.R.L. Carretera Santiago Licey Km. 5 ½ Esquina Copal II. Santiago De Los Caballeros 51000 Dominican Republic Phone: (+1) 809-562-0476 contacto@bosquesa.com.do	Korea Kyung Jin Trading Co., Ltd 107-4, Sunduk Bld, Yangjae-Dong Seocho-Gu 137-891 Seoul Phone: (+82) 2 574 6300 kjh@kjh.co.kr	Northern Cyprus Mediterranean Home & Garden No 150 Alsancak, Karaoglanoğlu Caddesi Gime Phone: (+90) 392 821 33 80 info@medgardener.com	Switzerland/Schweiz Husqvarna Schweiz AG Consumer Products Industriestrasse 10 5506 Mägerwil Phone: (+41) (0) 62 887 37 90 info@gardena.ch
Azerbaijan Proqress Xüsusi Firması Aliyar Aliyev 212, Baku, Azerbaijan Sales: +994 70 326 07 14 Aftersales: +994 77 326 07 14 www.progress-garden.az info@progress-garden.az	Egypt Universal Agencies Co 26, Abdel Hamid Lotfy St. Giza Phone: 3761 5757 https://gardeningegypt.com/ hany.masoud@univag.org	Latvia Husqvarna Latvija SIA Ulbrokas 19A LV-1021 Rīga info@gardena.lv	Oman General Development Services PO 1475, PC - 111 Seeb 111 Oman Phone: 96824 5828 16 gdsoman@gdsoman.com	Taiwan Hong Ying Trading Co.,Ltd. No. 46 Wu-Kun-Wu Road New Taipei City Phone: (+886) (02) 2298 1486 salesg1@7friends.com.tw
Bahrain M.H. Al-Mahroos BUILDING 208, BLOCK 356, ROAD 328 Salhiya Phone: +973 1740 8090 almahroos@almahroos.com	Estonia Husqvarna Eesti OÜ Valdeku 132 EE-11216 Tallinn info@gardena.ee	Lebanon Technomec Saïra Highway (Beirut – Tripoli) Center 622 Mezher Bldg. P.O.Box 215 Jounieh Phone: (+961) 9 853527 (+961) 3 855481 teconomec@idm.net.lb	Paraguay Agrofield SRL AV. CHOFERES DEL CHAOCO 1449 C/ 25 DE MAYO Asunción Phone: (+595) 21 608 656 consultas@agrofield.com.py	Thailand Spica Co. Ltd 2432/2 Onnuch Rd., Prawat Bangkok 10250 Thailand Phone: (+66) (0)2721 7373 surapong@spica-siam.com
Belarus/Беларусь ООО «Мастер Гарден» 220118, г. Минск, улица Шаранговича, дом 7а Тел. (+375) 17 257 00 33 mg@mastergarden.by	Finland Oy Husqvarna Ab Gardena Division Lautatarhankatu 8 B / PL 3 00561 HELSINKI www.gardena.fi	Lithuania UAB Husqvarna Lietuva Ateities pl. 77C LT-52104 Kaunas info@gardena.lt	Peru Sierras y Herramientas Forestal SAC Av. Las Gaviotas 833, Chorrillos Lima Phone: (+51) 1 2520252 supervisorventas1@siersac.com www.siersac.com	Tajikistan ARIERS JV LLC 39, Ayni Street, 7734024 Dushanbe, Tajikistan
Belgium Husqvarna Belgium nv Gardena Division Leuvensesteenweg 542 Planet II E 1930 Zaventem Belgie	France Husqvarna France 9/11 Allée des pierres mayettes 92635 Gennevilliers Cedex France http://www.gardena.com/fr N° AZUR: 0 810 00 78 23 (Prix d'un appel local)	Malaysia Glomedic International Sdn Bhd Jalan Ruang No. 30 Shah Alam, Selangor 40150 Malaysia Phone: (03)-7734 7997 oase@glomedic.com.my	Philippines Royal Dragon Traders Inc 10 Linaw Street, Barangay Saint Peter Quezon City 1114 Philippines Phone: (+63) 2 7426893 aida.fernandez@rdti.com.ph	Thailand Société du matériel agricole et maritime Nouveau port de pêche de Sfax Bp 33 Sfax 3065, Tunisia www.smamtunisia.com Soulaymen Majdoub Soulaymen@smamtunisia.com
Bosnia/Herzegovina Silk Trade d.o.o. Poslova Zona Vila Br. 20 Phone: (+387) 61 165 593 info@silktade.com.ba	Georgia Transporter LLC #70, Bellashvili street 0159 Tbilisi, Georgia Number: (+995) 322 14 71 71 info@transporter.com.ge www.transporter.com.ge	Malta I.V. Portelli & Sons Ltd. 85, 86, Triq San Pawl Rabat - RBT 1240 Phone: (+356) 2145 4289	Poland Gardena Service Center Vrbno c/o Husqvarna Manufacturing CZ s.r.o. Jesenická 146 79326 Vrbno pod Pradedem Czech Republic Phone: (22) 336 78 90 servis@gardena.pl	Turkey Dost Bahçe Yunus Mah. Adil Sk. No:3 Kartal Istanbul 34873 Turkey Phone: (+90) 216 389 39 39 info@dostbahce.com.tr www.dostbahce.com.tr
Brazil Nordtech Maquinas e Motores Ltd. Avenida Juscelino Kubitschek de Oliveira Curitiba 3003 Brazil Phone: (+55) 41 3595-9600 contato@nordtech.com.br www.nordtech.com.br	Greece Π.ΠΑΠΑΔΟΠΟΥΛΟΣ ΑΕΒΕ Λεωφ. Αθηνών 32 Αθήνα Τ.Κ. 104 42 Ελλάδα Τηλ. (+30) 210 5193 100 info@papadopoulos.com.gr	Romania Magasin Jules Neuberg 39, rue Jacques Stas Luxembourg-Gasperich 2549 Case Postale No. 12 Luxembourg 2010 Phone: (+352) 40 14 01 api@neuberg.lu	Portugal Husqvarna Portugal, SA Lagoa - Albarraqe 2635 - 595 Rio de Mouro Phone: (+351) 21 922 85 30 Fax: (+351) 21 922 85 36 info@gardena.pt	Turkmenistan I.E. Orazmuhammedov Nurmuhammet 80 Ataturk, BERKARAR Shopping Center, Ground floor, A770, Ashgabat 744000 TURKMENISTAN Phone: (+993) 12 468859 Mob: (+993) 62 222887 info@jayhyzmat.com / bekgiyev@jayhyzmat.com www.jayhyzmat.com
Bulgaria AGROLAND България АД бул. 8 Декември, № 13 Офис 5 1700 Студентски град София Тел.: (+359) 24 66 6910 info@agroland.eu	Hong Kong Tung Tai Company 151-153 Hoi Bun Road Kwun Tong, Kowloon Hong Kong Phone: (+852) 3583 1662 admin@tungtaico.com	Russia/Россия "Хускварна" 141400, Московская обл., г. Химки, улица Ленинградская, владение 39, стр.6 Бизнес Центр „Химки Бизнес Парк“, почтовый индекс OB02_04 http://www.gardena.ru	Saudi Arabia SACO Takhassusi Main Road P.O. Box: 86387 Riyadh 12863 40011 Saudi Arabia Phone: (966) 11 482 8877 webmaster@saco-ksa.com	UAE Al-Futtaim ACE Company L.L.C Building, Al Rebat Street Festival City, Dubai 7880 UAE Phone: (+971) 4 206 6700 ace@alfuttaim.ae
Canada/USA GARDENA Canada Ltd. 100 Summerlea Road Brampton, Ontario L6T 4X3 Phone: (+1) 905 792 93 30 info@gardenacanada.com	Hungary Husqvarna Magyarország Kft. Ezred u. 1 – 3 1044 Budapest Phone: (+36) 1 251-4161 vezsovolgalat.husqvarna@husqvarna.hu	Singapore Hy-Ray PRIVATE LIMITED 40 Jalan Pemimpin #02-08 Tat Ann Building Singapore 577185 Phone: (+65) 6253 2277 info@hyray.com.sg	Ukraine/Україна AT «Альцест» вул Петропавлівська 4 08130, Київська обл. Києво-Святошинський р.-н. с. Петропавлівська Борщагівка Україна Тел.: (+38) 0 800 503 000	Uruguay FELI SA Entre Rios 1083 11800 Montevideo Phone: (+598) 2203 1844 info@felisa.com.uy
Chile REPRESENTACIONES JCE S.A. 2286 Avenida General Oscar Bonilla Concepcion Phone: (+56) 2 2414 2600 contacto@jce.cl	Iceland BYKO ehf. Skennumevgi 2a 200 Kópavogur Phone: (+354) 515 4000 byko@byko.is	Slovak Republic Gardena Service Center Vrbno c/o Husqvarna Manufacturing CZ s.r.o. Jesenická 146 79326 Vrbno pod Pradedem Phone: 0800 154044 servis@gardena.sk	Uzbekistan AGROHOUSE MChJ O'zbekiston, 111112 Toshkent viloyati Toshkent tumani Hasanboy OFY, THAY yoqasida Phone: (+998)-93-5414141 (+998)-71-2096868 info@agro.house www.agro.house	Vietnam Vision Joint Stock Company No. 09, Lot E2/D21, Ton That Thuyet Street, Dich Vong Hieu Commune Cau Gaiy District, Hanoi Phone: (+8424)-38462833/34 quynhnm@visionjsc.com.vn
China Husqvarna (Shanghai) Management Co., Ltd. 高世华 (上海) 管理有限公司 Jf. Beng Square B, No207, Song Hong Rd., Chang Ning District, Shanghai, PRC. 200335 上海市长宁区淞虹路207号明 泰广场B座3楼, 邮编: 200335	India B K RAMAN AND CO Plot No. 185, Industrial Area, Phase-2, Ram Darbar Chandigarh 160002 India Phone: (+91) 98140 06530 raman@jaganhardware.com	Slovenia Proekip 64 Rue de la Participation Casablanca-Roches Noires 20303 Morocco Phone: (+212) 661342107 hicham.hafani@proekip.ma	Zimbabwe Cutting Edge 159 Citroen Rd, Msasa Harare Phone: (+263) 8677 008685 sales@cuttingedge.co.zw	Slovenia Husqvarna Austria GmbH Industriezele 36 4010 Linz Phone: (+43) 732 77 01 01-485 service.gardena@husqvarnagroup.com