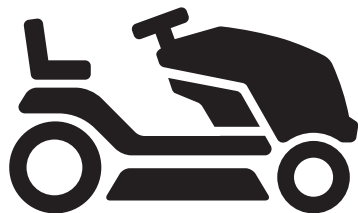




Husqvarna®



TS 142T

EN	Operator's manual	2-37
FR	Manuel d'utilisation	38-79
NL	Gebruiksaanwijzing	80-117
IT	Manuale dell'operatore	118-157
ES	Manual de usuario	158-197
DE	Bedienungsanweisung	198-237

Contents

Introduction.....	2	Storage.....	33
Safety.....	6	Disposal.....	34
Assembly.....	10	Technical data.....	34
Operation.....	12	Service.....	35
Maintenance.....	17	Declaration of Conformity.....	36
Troubleshooting.....	28	Appendix	238
Transportation, storage and disposal.....	33		

Introduction

Pre-delivery inspection and product numbers

copy of the pre-delivery inspection document from your dealer.

Note: A pre-delivery inspection has been done of this product. Make sure that you receive a signed

Service agent contact information:	
This operator's manual belongs to product with product number / serial number:	
/	
Engine:	
Transmission:	

Product description

This is a lawn tractor with the cutting deck installed between the front and rear axles. It has a 4-stroke engine that uses gasoline.

Optional accessories:

- Grass catcher
- Mulch plug

Intended use

This product is only used to cut grass in private gardens and on private garden slopes with not more than 15° slope. It is not to be used in public parks, sports grounds, in farming or in forestry. Only use the product with accessories that are approved by the manufacturer.

To use the product differently is incorrect use. It will void your warranty and reject the responsibility for damage to the user of third parties on the part of the manufacturer.

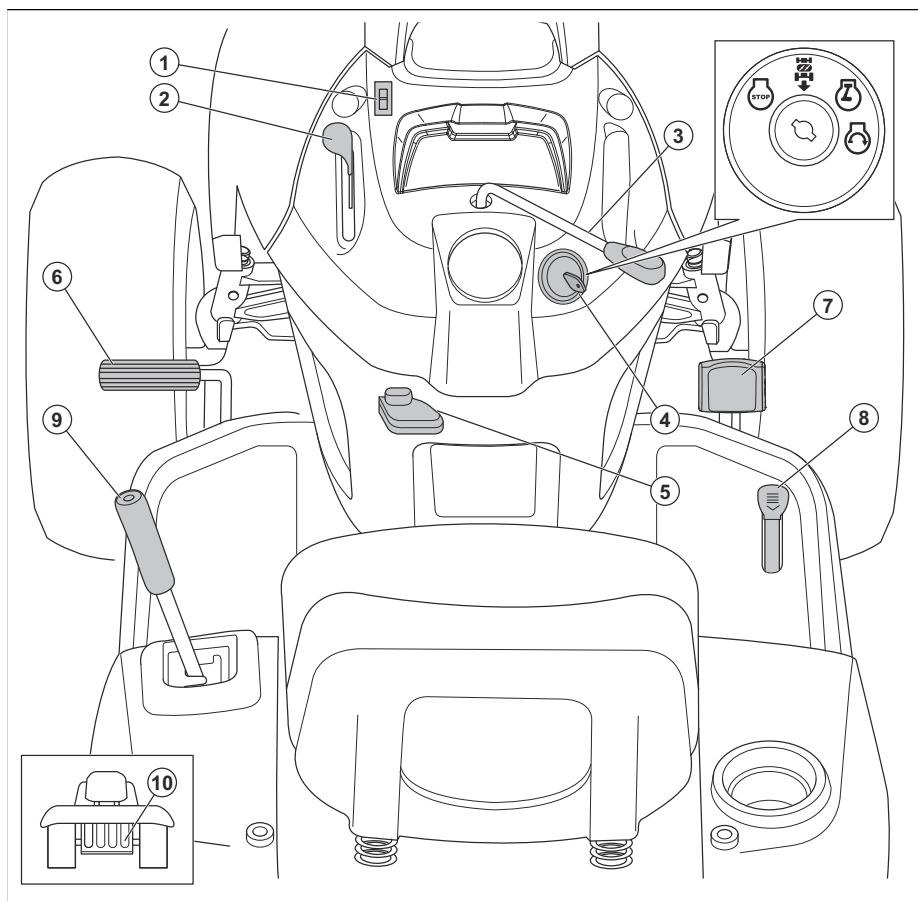
Refer to local directives for the operation of lawn mowers.

Support / Help

If you require assistance or have questions concerning the application, operation, maintenance or parts for your product:

- Visit our website: www.husqvarna.com
- Call Us Toll Free: 1-800-487-5951

Product overview



1. Light switch
2. Throttle control
3. Attachment clutch control
4. Ignition switch
5. Parking brake lever
6. Brake pedal
7. Forward drive pedal
8. Reverse drive pedal
9. Attachment lift lever
10. Freewheel lever

Symbols on the product



Warning! Be careful and use the product correctly. This product can cause serious injury or death to the operator or others.



CAUTION: Incorrect use can result in damage to the product or personal property.



Read the operator's manual carefully and make sure that you understand the instructions before you use this product.

R
N

Reverse.

Neutral.



High.



Low.



Start position for cold weather.



Fast.



Slow.



Choke.



Ignition switch.



Engine off.



Engine start.



Engine on.



Brake and clutch pedal.



Parking brake.



Parking brake engaged.



Parking brake disengaged.



Cutting height.



Cutting deck lift.



Differential lock.



Reverse operation system (ROS).



Reverse.



Forward.



Lights on.



Fuel.



Oil pressure.



Battery.



Ear protection recommended.



The blades are disengaged.



The blades are engaged.



Risk of carbon monoxide poisoning.



Beware of thrown objects.



Danger. Keep hands and feet away.



Keep bystanders away.



The fire symbol shows a risk, which, if not obeyed, can cause death, serious injury and/or damage.



Sound power level.



The product agrees with the applicable EC directives.



This product conforms to the applicable UK regulations.



Keep hands and feet away from this area.



Do not operate the product on slopes that are more than 15°.



Hot surfaces. Do not touch.



The deflector shield on the cutting deck must be installed when you operate the product.



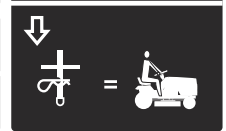
The grass catcher must be installed when you operate the product.



Hand entanglement.



Drawbar load.



Freewheel (automatic models only).

Product liability

As referred to in the product liability laws, we are not liable for damages that our product causes if:

- the product is incorrectly repaired.
- the product is repaired with parts that are not from the manufacturer or not approved by the manufacturer.
- the product has an accessory that is not from the manufacturer or not approved by the manufacturer.
- the product is not repaired at an approved service center or by an approved authority.

Safety

Safety definitions

Warnings, cautions and notes are used to point out specially important parts of the manual.



WARNING: Used if there is a risk of injury or death for the operator or bystanders if the instructions in the manual are not obeyed.



CAUTION: Used if there is a risk of damage to the product, other materials or the adjacent area if the instructions in the manual are not obeyed.

Note: Used to give more information that is necessary in a given situation.

Safe Operation Practices for Ride-On Mowers



WARNING: This product is capable of amputating hands and feet and throwing objects. Failure to observe the following safety instructions could result in serious injury or death.



WARNING: In order to prevent accidental starting when setting up, transporting, adjusting or making repairs, always disconnect spark plug wire and place wire where it cannot contact spark plug.



WARNING: Do not coast down a hill in neutral, you may lose control of the tractor.



WARNING: Tow only attachments that are recommended by and comply with specifications of the manufacturer of your tractor. Use common sense when towing. Operate only at the lowest possible speed when on a slope. Too heavy of a load, while on a slope, is dangerous. Tires can lose traction with the ground and cause you to lose control of your tractor.



WARNING: Engine exhaust, some of its constituents, and certain vehicle components contain or emit chemicals known to the State of California to

cause cancer and birth defects or other reproductive harm.

I. CHILDREN



WARNING: CHILDREN CAN BE INJURED BY THIS EQUIPMENT. The American Academy of Pediatrics recommends that children be a minimum of 12 years of age before operating a pedestrian controlled lawn mower and minimum of 16 years of age before operating a riding lawn mower.



WARNING: CHILDREN CAN BE SERIOUSLY INJURED OR KILLED BY THIS EQUIPMENT. Carefully read and follow all the safety instructions below.

Tragic accidents can occur if the operator is not alert to the presence of children. Children are often attracted to the machine and the mowing activity. Never assume that children will remain where you last saw them.

- Keep children out of the mowing area and in the watchful care of a responsible adult other than the operator.
- Be alert and turn machine off if a children enters the area.
- Before and while backing, look behind and down for small children.
- Never carry children, even with the blades shut off. They may fall off and be seriously injured or interfere with safe machine operation. Children who have been given rides in the past may suddenly appear in the mowing area for another ride and be run over or backed over by the machine.
- Never allow children to operate the machine.
- Use extreme caution when approaching blind corners, shrubs, trees, or other objects that may block your view of a child.

II. GENERAL OPERATION

- Read, understand, and follow all instructions on the machine and in the manual before starting.
- Do not put hands or feet near rotating parts or under the machine. Keep clear of the discharge opening at all times.
- Only allow responsible adults, who are familiar with the instructions, to operate the machine.
- Clear the area of objects such as rocks, toys, wire, etc., which could be picked up and thrown by the blades.
- Ensure the area is clear bystanders before operating. Stop machine if anyone enters the area.

- Never carry passengers.
- Do not mow in reverse unless absolutely necessary. Always look down and behind before and while backing.
- Never direct discharged material toward anyone. Avoid discharging material against a wall or obstruction. Material may ricochet back toward operator. Stop the blades when crossing gravel surfaces.
- Do not operate machine without the entire grass catcher, discharge chute, or other safety devices in place and working.
- Slow down before turning.
- Never leave a running machine unattended. Always turn off blades, set parking blade, and stop engine before dismounting.
- Disengage blades when not mowing. Shut off engine and wait for all parts to come to complete stop before cleaning the machine, removing the grass catcher, or unclogging the discharge chute.
- Operate machine only in daylight or good artificial light.
- Do not operate the machine while under the influence of alcohol or drugs.
- Watch for traffic when operating near or crossing roadways.
- Use extreme caution when loading or unloading the machine into a trailer or truck.
- Always wear eye protection when operating machine.
- Use ear protectors to avoid damage to hearing.
- Data indicates that operators, age 60 years and above, are involved in a large percentage of riding mower-related injuries. These operators should evaluate their ability to operate the riding mower safely enough to protect themselves and others from serious injury.
- Follow the manufacturer's recommendation for wheel weights or counterweights.
- Keep machine free of grass, leaves or other debris build-up which can touch hot exhaust/ engine parts and burn. Do not allow the mower deck to plow leaves or other debris which can cause build-up to occur. Clean any oil or fuel spillage before operating or storing the machine. Allow machine to cool before storage.

Safety instructions for operation

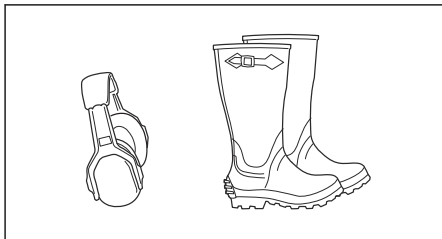
Personal protective equipment



WARNING: Read the warning instructions that follow before you use the product.

- Use approved personal protective equipment when you use the product. Personal protective equipment cannot fully prevent injury but it decreases the degree of injury if an accident does occur. Let your dealer help you select the right equipment.

- Use approved hearing protection. Long-term exposure to noise can result in permanent hearing impairment.
- Use heavy-duty slip-resistant boots or shoes. Steel toes are recommended. Do not use open shoes or go with bare feet.



- Use protective gloves when necessary, for example when you attach, examine or clean the cutting equipment.
- Do not wear loose-fitting clothing, jewelry or other items that can get caught in moving parts.
- Keep first aid equipment and fire extinguisher near.

Safety devices on the product



WARNING: Read the warning instructions that follow before you use the product.

- Do not use a product with safety devices that are damaged or do not operate correctly. Do a check of the safety devices regularly. If the safety devices are damaged, speak to your Husqvarna service agent.
- Do not make modifications on safety devices. Do not use the product if protective plates, protective covers, safety switches or other protective devices are not attached or are damaged.

To do a check of the operator presence control (OPC)



WARNING: Do not operate the product with an operator presence control (OPC) that does not operate correctly. If the OPC does not operate correctly, repair it immediately. Speak to an approved service agent.

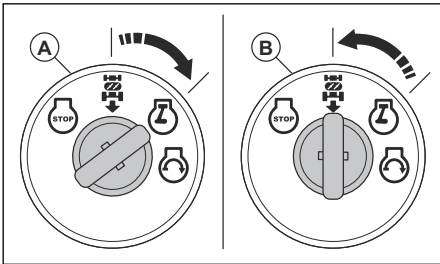
- Make sure that the engine cannot start unless the brake pedal is pushed down fully and the cutting deck is disengaged.
- Make sure that the engine stops when the operator goes away from the seat when the parking brake is disengaged.
- Make sure that the engine stops when the operator goes away from the seat when the cutting deck is engaged.

- Make sure that the clutch control for the cutting deck cannot operate when the operator is away from the seat.

To do a check of the reverse operation system (ROS)

If the reverse operation system does not operate correctly, repair the product immediately. Speak to an approved service agent.

1. Start the product. Refer to *To start the product on page 12*.
2. Engage the cutting deck. Refer to *To engage and disengage the cutting deck on page 15*.
3. Make sure that the engine stops when you try to reverse with the ignition key is in the on position (A).



4. Start the product and engage the cutting deck again.
5. Turn the ignition switch to the ROS on position (B).
6. Make sure that the engine does not stop when you reverse with the ignition key in the ROS on position.

To do a check of the brake



WARNING: Brake maintenance is necessary if the product uses more than 5 ft (1.5 m) to stop at the highest speed in the highest gear on a level, dry surface.

1. Park the product on a level, dry concrete or paved surface. Push the brake pedal down fully and engage the parking brake.
2. Set the freewheel control to the "transmission disengaged" position to disengage the transmission.
3. The rear wheels must lock and skid when you try to manually push the product forward. If the rear wheels rotate, then brake maintenance is necessary.
4. Speak to an approved service center.

Parking brake



WARNING: If the parking brake does not work, the product can start to move and cause injury or damage. Make sure that the parking brake is regularly examined and adjusted.

Refer to *To do a check of the brake on page 8*.

Muffler

The muffler keeps the noise levels to a minimum and sends the exhaust fumes away from the operator.

Do not use the product if the muffler is missing or damaged. A damaged muffler increases the noise level and the risk of fire.



WARNING: The muffler becomes very hot during and after use and when the engine operates at idle speed. Be careful near flammable materials and/or fumes to prevent fire.

To do a check of the muffler

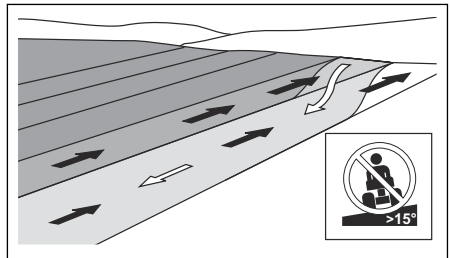
- Examine the muffler regularly to make sure that it is attached correctly and not damaged.

To cut grass on slopes



WARNING: Read the warning instructions that follow before you use the product.

- To cut grass on slopes increases the risk that you can not control the product and that it overturns. This can cause injury or death. It is necessary to cut the grass carefully on all slopes. If you cannot reverse up a slope or if you do not feel safe, do not cut it.
- Remove stones, branches and other obstacles.
- Cut up and down the slope, not from side to side.
- Do not move down a slope with the cutting deck lifted.
- Do not operate the product on ground that slopes more than 15°.



- Do not start or stop on a slope.
- Move smoothly and slowly on slopes.

- Do not make sudden changes in speed or direction.
- Do not turn more than necessary. Turn slowly and gradually when you move down a slope. Move at low speed. Turn the wheel carefully.
- Look out for and do not move across furrows, holes and bumps. There is a higher risk that the product overturns on ground that is not flat. Long grass can hide obstacles.
- Do not cut grass near edges, ditches or banks. The product can suddenly overturn if a wheel moves across the edge of a steep slope or a ditch, or if an edge gives way.
- Do not mow wet grass. It is slippery, and tires can lose their grip so that the product skids.
- Do not put your foot on the ground to try to make the product more stable.
- Move very carefully if an accessory or other object is attached that can make the product less stable.

Fuel safety



WARNING: Read the warning instructions that follow before you use the product.

- Fuel is flammable and the fumes are explosive. Be careful with fuel to prevent injury, fire and explosion.
- Do not breathe in the fuel fumes. The fuel fumes are poisonous and can cause injury. Make sure that the airflow is sufficient.
- Do not remove the fuel tank cap or fill the fuel tank when the engine is on.
- Make sure that the engine is cool before you refuel.
- Do not fill fuel in an indoor area. Insufficient airflow can cause injury or death because of asphyxiation or carbon monoxide poisoning.
- Do not smoke near the fuel or the engine.
- Do not put hot objects near the fuel or the engine.
- Do not fill fuel near sparks or flames.
- Before you refuel, open the fuel tank cap slowly and release the pressure carefully.
- Fuel on your skin can cause injury. If you get fuel on your skin, use soap and water to remove the fuel.
- If you spill fuel on your clothing, change clothing immediately.
- Do not fill the fuel tank fully. Heat causes the fuel to expand. Keep a space at the top of the fuel tank.
- Tighten the fuel tank cap fully. If the fuel tank cap is not tightened, there is a risk of fire.
- Before you start the product, move the product to a minimum of 3 m/10 ft from where you refueled.
- Do not start the product if there is fuel or engine oil on the product. Remove the unwanted fuel

and engine oil and let the product dry before you start the engine.

- Examine the engine for leaks regularly. If there are leaks in the fuel system, do not start the engine until the leaks are repaired.
- Do not use your fingers to examine the engine for leaks.
- Keep fuel in approved containers only.
- When the product and fuel is in storage, make sure that fuel and fuel fumes cannot cause damage.
- Drain the fuel in an approved container outdoors and away from sparks and flames.

Battery safety



WARNING: A damaged battery can cause an explosion and cause injury. If the battery has a deformation or is damaged, speak to an approved Husqvarna service agent.



WARNING: Read the warning instructions that follow before you use the product.

- Use protective glasses when you are near batteries.
- Do not wear watches, jewelry or other metal objects near the battery.
- Keep the battery out of reach for children.
- Charge the battery in a space with good airflow.
- Keep flammable materials at a minimum clearance of 1 m when you charge the battery.
- Discard replaced batteries. See *Disposal on page 34*.
- Explosive gases can come from the battery. Do not smoke near the battery. Keep the battery away from open flames and sparks.

Transport safety

- Use an approved transport vehicle for transportation of the product.
- A markets national or local regulations can set limit to the transportation of the product.
- The operator of the transport vehicle is responsible to attach the product safely during transport. Refer to *Transportation on page 33*.

Safety instructions for maintenance



WARNING: The product is heavy and can cause injury or damage to property or the adjacent area. Do not do maintenance on the engine or the cutting deck without these conditions:

- The engine is off.
- The product is parked on a level surface.

- The parking brake is applied.
- The ignition key is removed.
- The cutting deck is disengaged.
- The ignition cables are removed from the plugs.

- Let the product become cool before you do maintenance near the engine.
- The blades are sharp and can cause cuts. Wind protection around the blades or use protective gloves when you do work on the blades.
- Always put the cutting deck in servicing position to clean it. Do not park the product near the edge of a ditch or slope to get access to the cutting deck.



WARNING: The exhaust fumes from the engine contain carbon monoxide, an odorless, poisonous and very dangerous gas. Do not run the product in closed spaces or spaces with not sufficient air flow.



CAUTION: Read the caution instructions that follow before you use the product.



WARNING: Read the warning instructions that follow before you do maintenance on the product.

- For best performance and safety, do maintenance on the product regularly as given in the maintenance schedule. Refer to *Maintenance schedule on page 17*.
- Electrical shocks can cause injuries. Do not touch the cables when the engine is on. Do not do a function test on the ignition system with your fingers.
- Do not start the engine if the protective covers are removed. There is a high risk of injury caused by moving or hot parts.
- Do not turn over the engine if the spark plug or ignition cable is removed.
- Make sure that all nuts and bolts are tightened correctly and that the equipment is in good condition.
- Do not change the adjustment of governors. If the engine speed is too high, the product components can become damaged.
- The product is approved only with the equipment supplied or recommended by the manufacturer.

Assembly

Introduction



WARNING: Read and understand the safety chapter before you assemble the product.

To remove the product from the carton

1. Remove loose parts included with the product.
2. Remove the end panels.
3. Remove the side panels and put them on a flat surface.
4. Remove all package materials.
5. Remove the product from the carton and make sure no loose parts are left in the carton.

Assembly tools

- 1/2" (13 mm) wrench
- 7/16" (11 mm) wrenches (2 pieces)
- Tire pressure gauge
- Knife
- Pliers
- Socket wrench set (optional)

Loose parts that need assembly

The product is not fully assembled. The parts that follow are loose when the product is purchased.



Key, 2 pcs



Slope sheet, 1 pcs



Hex bolt, 2 pcs



Nuts, 2 pcs



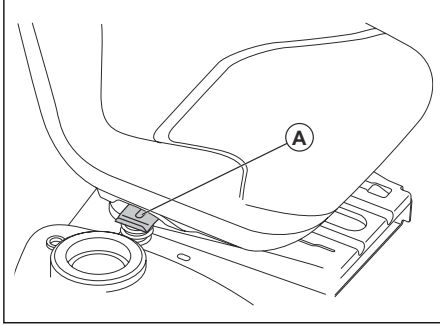
Nozzle adapter, 1 pcs



Oil drain tube, 1 pcs

To adjust the seat

1. Sit in the seat.
2. Lift up the seat adjustment lever (A).



3. Move the seat until it is in a position where you can push the brake and clutch pedals down.
4. Release the seat adjustment lever (A) to lock the seat in position.

To connect the battery

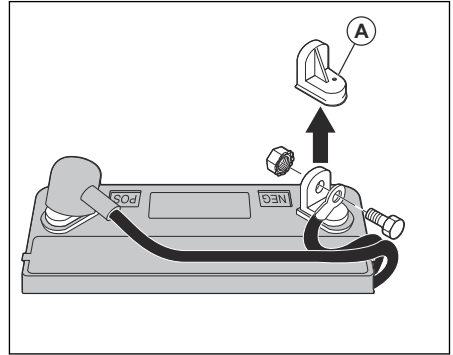


WARNING: Risk of electrical shock and burn injuries. Do not use metal wristbands or other metal accessories. Metal items that touch the battery terminals can cause burn injuries, electrical shock, and short circuit of the battery.

Note: If it is after the year and month that is written on the battery label, charge the battery. Charge the battery for a minimum of 1 hour at 6–10 A.

1. Find the battery location below the seat or the engine cover.
2. Lift the seat pan or the engine cover to the raised position.

3. Remove the 2 terminal caps (A) and discard them.



4. Connect the red battery cable to the positive (+) terminal and tighten the bolt and nut as shown. Move the terminal cover on the terminal.



WARNING: Risk of sparks. The red battery cable must be connected to the positive terminal before the black battery cable is connected to the negative terminal. This is to prevent sparks and accidental grounding.

5. Connect the black cable to the negative (-) terminal and tighten the bolt and nut fully.
6. Apply petroleum jelly on the battery cables to prevent corrosion.
7. Lower the seat pan or the engine cover.

To move the product off the skid

1. Lift the cutting deck to its highest position. Use the lift lever.
2. Push the clutch/brake pedal down to release the parking brake.
3. Put the freewheel control in the "Transmission disengaged" position, refer to *Transportation, storage and disposal on page 33*.
4. Push the product forward off the skid.
5. Remove the strap that holds the deflector protection up against the product.

To do a check after the assembly

- Make sure that all assembly instructions are completed.
- Make sure that no remaining parts are in the package.
- Make sure that the battery is prepared and charged correctly.
- Make sure that the bolts for the seat are tightened and that the seat is adjusted correctly.
- Make sure that the tires are correctly inflated.

- For best cutting results, make sure that the cutting deck is balanced side to side and front to rear. Make sure that the tires are correctly inflated for a balanced cutting deck.
- Examine the cutting deck and the drive belts. Make sure that the drive belts are installed correctly around the pulleys and inner part of all belt keepers.
- Examine the electrical wires. Make sure that all wires and connections are safe.
- Make sure that the freewheel control is in the "Transmission engaged" position. Refer to *Transportation on page 33*.
- Make sure that the engine oil is at the correct level.
- Make sure that the tank is filled with the correct type of fuel.
- Make sure that you know the location and function of all controls.
- Make sure that the brake system is in safe to operate condition.
- Make sure that the Operator Presence Control (OPC) and the Reverse Operation System (ROS) operate correctly. Refer to *To do a check of the operator presence control (OPC) on page 7* and *To do a check of the reverse operation system (ROS) on page 8*.
- Remove the air from the transmission before first use. Refer to *To remove the air from the transmission on page 28*.

Operation

Introduction



WARNING: Read and understand the safety chapter before you use the product.

To fill fuel



WARNING: Gasoline is very flammable. Be careful and refuel outdoors. Refer to *Fuel safety on page 9*.



CAUTION: Always use correct fuel type. Incorrect fuel type causes damage to the product.

- Use gasoline of the correct type. Refer to *Technical data on page 34*. For more information about the fuel, refer to the engine manual supplied by the engine manufacturer.
- Do a check of the fuel level before each use and refuel if necessary.
- Do not fully fill the fuel tank. Keep a space of a minimum 1 in.

To start the product

To do before you start the product

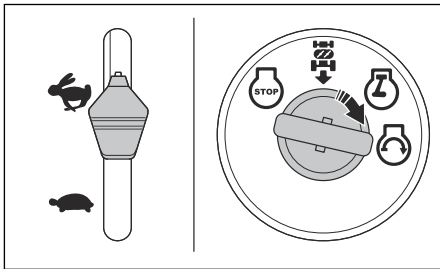


WARNING: Before you operate the product, carefully read and understand the safety instructions and the operation instructions.

1. Do a check of the engine oil level. Refer to *To do a check of the engine oil level on page 26*.
2. Fill the fuel tank with fuel. Refer to *To fill fuel on page 12*.
3. Disengage the freewheel mode. Refer to *To put the product in freewheel mode on page 16*.

4. Sit in the seat in operation position.
5. Engage the parking brake. Refer to *To engage and disengage the parking brake on page 14*.
6. Make sure that the cutting deck is disengaged. Refer to *To engage and disengage the cutting deck on page 15*.

To start a warm engine



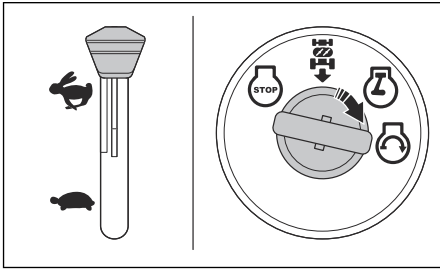
1. Sit on the seat.
2. Make sure that the cutting deck is disengaged. Refer to *To engage and disengage the cutting deck on page 15*.
3. Put the cutting deck in transport position. Refer to *To set the cutting deck in transport position or mow position on page 13*.
4. Move the throttle control to the fast position.
5. Push down on the brake pedal fully and hold it down.
6. Put the ignition key into the ignition.
7. Turn the ignition key to the "START" position and release the ignition key when the engine starts.



CAUTION: Do not operate the starter continuously for more than 15 seconds for each minute.

8. If the temperature is low, let the engine become warm before you start to cut grass.

To start a cold engine



1. Sit on the seat.
2. Make sure that the cutting deck is disengaged. Refer to *To engage and disengage the cutting deck on page 15.*
3. Put the cutting deck in transport position. Refer to *To set the cutting deck in transport position or mow position on page 13.*
4. Move the throttle control to the choke position.
5. Push down on the brake pedal fully and hold it down.
6. Put the ignition key into the ignition.
7. Turn the ignition key to the "START" position and release the ignition key when the engine starts.



CAUTION: Do not operate the starter continuously for more than 15 seconds for each minute.

8. When the engine starts, move the throttle control to the fast position (D) to warm up the engine. If the temperature is low, some minutes is necessary for the engine to get warm.



CAUTION: If the ambient temperature is less than 40° F (4° C), you must let the engine operate 1 minute at idle speed before you operate the product. This is to let the transmission warm up. Make sure that the motion control lever is in the neutral position and that the brake pedal is fully released.

To warm up the transmission in cold weather

Note: Before you use the product in cold weather, warm up the transmission.

1. Put the product on a level surface.
2. Release the parking brake and slowly let the brake pedal move up slowly.
3. Let the transmission warm up for one minute. This can be done during the engine warm up period.

4. After the transmission is warm, the attached equipment can be used in the engine warm up period. To do this it can be necessary to pull the choke control out a small step.

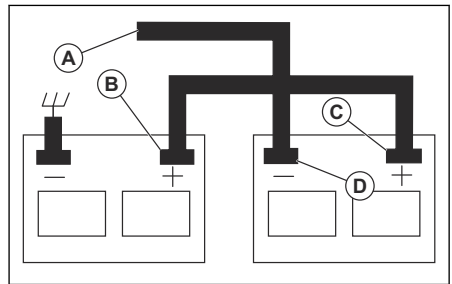
To start the engine when the battery is weak



WARNING: Lead-acid batteries can make explosive gases. Keep sparks, flames and smoking materials away from batteries. Always wear eye protection when around batteries.

If the battery is too weak to start the engine, it must be charged.

If the jumper cables are used for emergency starting, follow the procedures below:



1. Connect one end of the RED cable to the POSITIVE (+) terminal of each battery (B-C).



CAUTION: Be careful that a short circuit does not occur against the chassis of the product.

2. Connect one end of the BLACK cable to the NEGATIVE (-) terminal (D) of a fully charged battery.
3. Connect the other end of the BLACK cable (A) to good chassis ground, away from the fuel tank and battery.

To remove the jumper cables

Note: Remove the jumper cables in the opposite sequence to how you connect them.

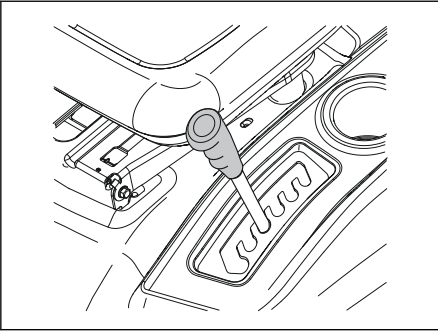
1. Remove the BLACK cable from the chassis.
2. Remove the BLACK cable from the fully charged battery.
3. Remove the RED cable from the 2 batteries.

To set the cutting deck in transport position or mow position

The cutting deck must be in transport position during transportation.

- To set the product in transport position, pull the cutting height lever in the direction of the seat and put it in the highest cutting height position.
- To set the product in mow position, set the correct cutting height. Refer to *To set the cutting height on page 14*.

To set the cutting height

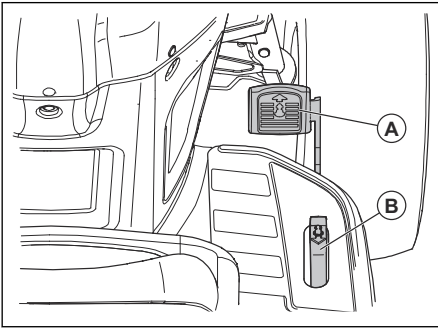


- Pull the lift lever in the direction of the seat and put it in 1 of the notches for the correct cutting height.

To move forward and rearward

The direction and speed of movement is controlled by the forward and reverse drive pedals.

1. Start the engine.
2. Disengage the parking brake. Refer to *To engage and disengage the parking brake on page 14*.
3. To start movement, slowly push down on the forward drive pedal (A) or the reverse drive pedal (B).

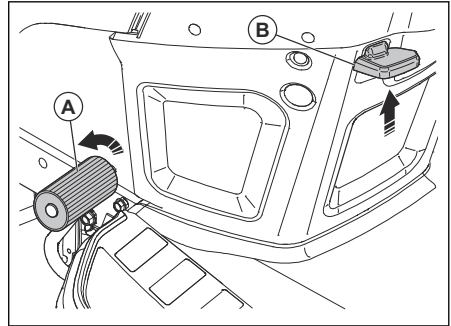


Note: The forward and reverse drive pedals go back to neutral position when they are not pushed down.

4. Push down more on the forward drive pedal or the reverse drive pedal to increase the speed.

To engage and disengage the parking brake

1. To engage the parking brake, push down the brake pedal (A) fully to the lowest position.



2. With the brake pedal pushed down, pull up the parking brake lever (B).
3. Release the brake pedal.
4. Release the parking brake lever.

Note: Make sure that the parking brake holds the product safely.

5. To release the parking brake, push down the brake pedal.

To stop the product

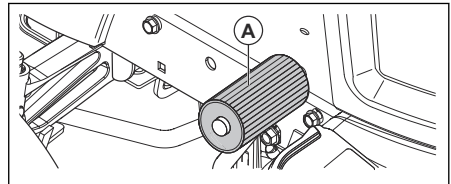


WARNING: Always stop the product, engage the parking brake and remove the ignition key before you go away from the product.



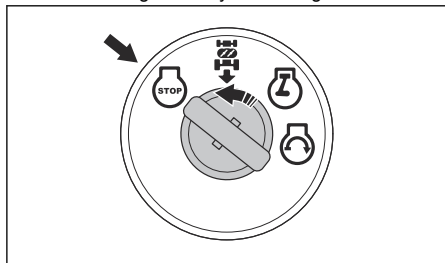
CAUTION: The exhaust gas from the warm engine can cause burn damage to the grass. To prevent burn damage, to the grass, always stop the engine when you stop the product on grass areas.

1. Push down on the brake pedal (A) fully until the product stops fully.



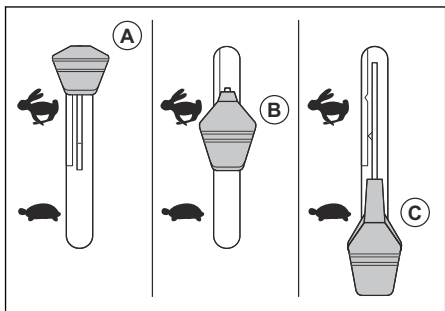
2. Disengage the cutting deck. Refer to *To engage and disengage the cutting deck on page 15*.
3. Put the throttle control in the slow position and let the engine operate at idle speed for some minutes.

- Put the cutting deck in the transport position. Refer to *To set the cutting deck in transport position or mow position on page 13.*
- Turn the ignition key to the "STOP" position and remove the ignition key from the ignition.



To use the throttle control

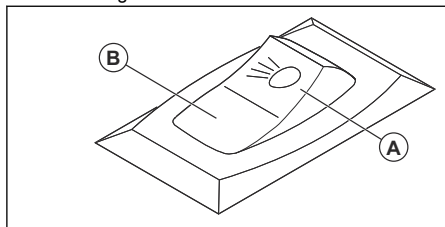
The throttle control adjusts the engine speed and the speed of the blades in the cutting deck.



- Put the throttle control in the choke position (A) when you start a cold engine. Refer to *To start a cold engine on page 13.*
- Put the throttle control in the fast position (B) to operate the engine at full speed. Always have the throttle control in the fast position when you cut grass.
- Put the throttle control in the slow position (C) to operate the engine at idle speed.

To use the headlight

- Push the power switch to position (A) to make the headlight come on.



- Push the power switch to position (B) to make the headlight go off.

To engage and disengage the cutting deck

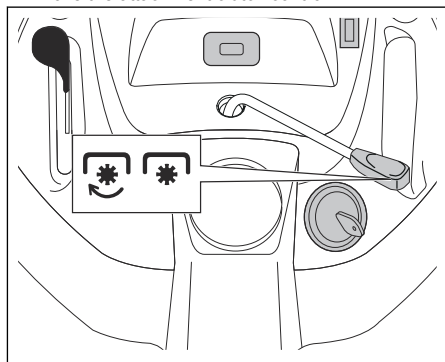


WARNING: Do not operate the cutting deck without a deflector or grass catcher installed to the grass discharge.

The product has an operator presence control (OPC). When you go away from the seat with the engine on and the cutting deck engaged, the engine stops.

Stay fully and in the center of the seat to make sure that the engine operates correctly and does not stop on rough terrain or hills.

- Set the correct cutting height. Refer to *To set the cutting height on page 14.*
- Move the attachment clutch control.



- Move the attachment clutch control forward to engage the cutting deck.
- Move the attachment clutch control rearward to disengage the cutting deck.

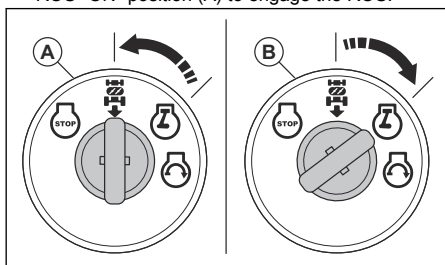
To use the reverse operation system (ROS)

Note: If you try to go rearward with the product when the cutting deck is engaged, the engine stops immediately. Engage the ROS to go rearward with the product when the cutting deck is engaged.



WARNING: Before and while you operate the product rearward, look down and behind the product for the safety of others.

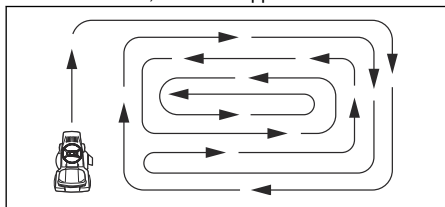
1. Turn the ignition key counterclockwise to the ROS "ON" position (A) to engage the ROS.



2. Slowly push down the reverse drive pedal to start movement.
3. Turn the ignition key clockwise to the engine "ON" position (B) to disengage the ROS.

To get a good cutting result

- For best performance, do maintenance on the product regularly as given in the maintenance schedule. Refer to *Maintenance schedule on page 17*.
- Do not cut a wet lawn. Wet grass can give a bad cutting result.
- Do not use tire chains when you attach the cutting deck to the product.
- Make sure that the cutting deck is level. Refer to *To adjust the parallelism of the cutting deck on page 23*.
- If the grass is high, start with a high cutting height and decrease it gradually.
- Move the product forward at low speed if the grass is high and thick.
- Use full throttle when you cut the grass.
- Cut the grass in an irregular pattern.
- Use the left side of the cutting deck when you cut near trees, bushes or paths. The blade cuts approximately 15 mm in from the side of the cutting deck.
- When you cut large areas, move the product to the right during 1 or 2 turns around the work area. This procedure will keep the grass discharge away from shrubs, fences and driveways. After approximately 2 turns around the work area, cut in the opposite direction.



- To get the best cutting result, cut the grass frequently.

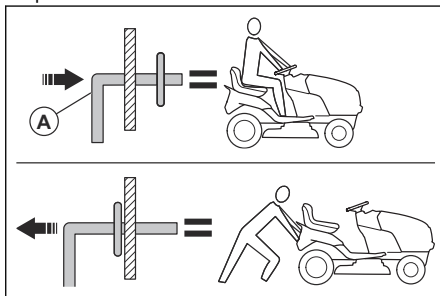
To put the product in freewheel mode

If it is necessary to move or tow the product without aid from the engine, you must put the product in freewheel mode.



WARNING: Do not put the product in freewheel mode on a slope.

- Push in the freewheel control lever (A) to put the product in freewheel mode.



- Pull out the freewheel control lever to operate the product with the engine.

To install the mulch plug (accessory)

The product can be used with a mulch plug.

1. Put the cutting deck in the transport position. Refer to *To set the cutting deck in transport position or mow position on page 13*.
2. Remove the grass catcher or the rear discharge deflector (accessory) if it is installed.
3. Put the mulch plug through the back plate and into the chute adaptor for the cutting deck.
4. Connect the 2 straps to the holes on the support arms for the grass catcher.
5. Install the grass catcher or the rear discharge deflector.
6. Remove the mulch plug in the opposite sequence.

To install the grass catcher (accessory)

The product can be used with a grass catcher.

1. Put the cutting deck in the transport position. Refer to *To set the cutting deck in transport position or mow position on page 13*.
2. Remove the rear discharge deflector (accessory) or the mulch plug (accessory) if it is installed.
3. Put the discharge chute through the back plate and into the chute adaptor for the cutting deck.
4. Install the 2 wing nuts.
5. Install the grass catcher.

6. Remove the grass catcher in the opposite sequence.

Maintenance

Introduction



WARNING: Read and understand the safety chapter before you do maintenance on the product.

Maintenance schedule

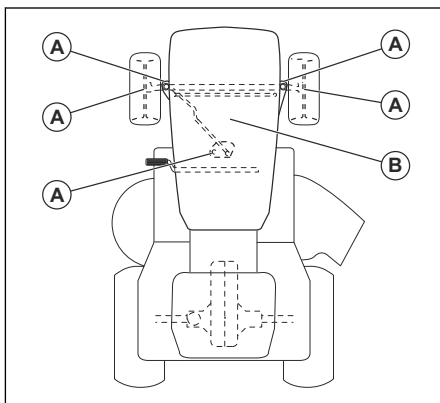
Maintenance schedule		Before each use	At intervals of 8 hours	At intervals of 25 hours	At intervals of 50 hours	At intervals of 100 hours	Each season	Before storage
Product	Do a check of the brake function.	X	X					
	Do a check of tire pressure.	X	X					
	Do a check of the operator presence control (OPC).	X						
	Do a check of the reverse operation system (ROS).	X						
	Do a check for loose fasteners.	X				X		X
	Examine the blades for wear and damage.			X ²				
	Lubricate the product. Refer to <i>Lubrication schedule on page 18</i> .			X				X
	Do a check of the battery level.			X				
	Clean the battery and the terminals.			X				X
	Clean pieces off the steering plate. Refer to <i>To clean the product on page 19</i> .			X				
	Do a check of the trans-axle cooling fan.			X				
	Make sure that the cutting deck is level.					X		
	Do a check of the V-belts.						X	

Maintenance schedule		Before each use	At intervals of 8 hours	At intervals of 25 hours	At intervals of 50 hours	At intervals of 100 hours	Each season	Before storage
Engine	Do a check of the engine oil level.	X	X					
	Change the engine oil and the oil filter.					X ¹		X
	Clean the air filter.			X ³				
	Clean the air screen.			X ³				
	Do an inspection of the muffler and the spark arrester.				X			
	Replace the oil filter.					X ¹		
	Clean the engine cooling fins.					X ³		
	Replace the spark plug.					X	X	
	Replace the paper cartridge of the air filter.				X ³			
	Replace the fuel filter						X	

Lubrication schedule



CAUTION: Do not lubricate the pivot points that have special nylon bearings. Tacky lubricants can attach dirt. The dirt decreases the life of the special nylon bearings. If it is necessary to lubricate the nylon bearings, use only a small quantity of dry type lubricant.



A. General lubrication. Lubricate the spindle grease connection, front wheel bearing, gear teeth of the steering part.

B. Engine lubrication. Refer to *To lubricate the engine on page 26*.

- ¹ Do more frequently if you operate with a heavy load, in high ambient temperatures, or in dirty conditions.
- ³ Do more frequently if you operate with in dirty conditions.
- ³ Do more frequently if you operate with in dirty conditions.
- ¹ Do more frequently if you operate with a heavy load, in high ambient temperatures, or in dirty conditions.
- ³ Do more frequently if you operate with in dirty conditions.
- ³ Do more frequently if you operate with in dirty conditions.

Tractor

To clean the product

Do not use a garden hose or a pressure washer to clean the surface except for the washout port. Keep water out of the engine and transmission. Water in the engine or transmission can decrease the life of the product. Use compressed air or a leaf blower to remove grass, leaves and litter.

- Clean all unwanted material from the engine, battery, seat and other parts of the product.
- Clean contamination from the steering plate. Contamination limits the movement of the clutch/brake pedal shaft, causes the belt to loosen and decreases forward movement.



CAUTION: Avoid all pinch points and movable parts.

- Keep the surfaces and wheels free of all gasoline, oil, and so on.
- Use automotive type wax to prevent damage to the surfaces.

To use the deck washout port

The cutting deck has a deck washout port that is a part of the cleaning system for the cutting deck.



WARNING: Do not use the product with a broken or missing deck washout port. There is a risk of thrown objects. Replace a broken or missing deck washout port immediately.

Note: For the models with guards, the washout port is installed on the left side guard in front of the rear tire.

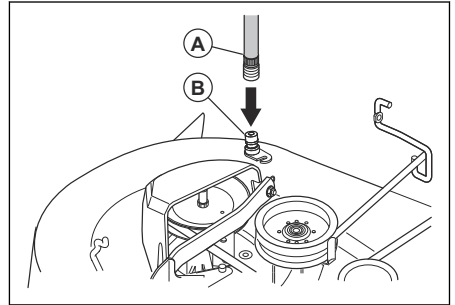
1. Park the product in a clear area on your lawn that is near a water source with a garden hose.



CAUTION: Do not point the discharge chute of the product in the direction of buildings or vehicles.

2. Make sure that the cutting deck is disengaged. Refer to *To engage and disengage the cutting deck on page 15*.
3. Turn the ignition key to the STOP position to stop the engine.
4. Engage the parking brake.
5. Remove the grass catcher chute or the mulch plug if it is installed.

6. Put the nozzle adapter onto the end of your garden hose (A). Make sure that the garden hose is fully connected to the nozzle adapter.



7. Pull back on the lock collar of the nozzle adapter and push the nozzle adapter onto the deck washout port (B).
8. Carefully pull on the garden hose to make sure that it is fully connected.
9. Release the lock collar to lock the adapter on the deck washout port.
10. Start the water supply.
11. Sit in the seat and start the engine.



CAUTION: Examine the area again to make sure that the area is clear.

12. Move the throttle control to the fast position. Refer to *To use the throttle control on page 15*.
13. Engage the cutting deck and let it operate until the cutting deck is clean. Refer to *To engage and disengage the cutting deck on page 15*.
14. Disengage the cutting deck. Refer to *To engage and disengage the cutting deck on page 15*.
15. Turn the ignition key to the STOP position to stop the engine.
16. Stop the water supply.
17. Pull back the lock collar of the nozzle adapter and disconnect the nozzle adapter from the deck washout port.
18. Move the product to a dry area.
19. Engage the cutting deck and let it operate until the cutting deck is dry.

To adjust the throttle control cable

The throttle control is set at the factory and adjustment should not be necessary. If an adjustment is necessary, see the Engine manual.

To examine the interlocks and the relays

Note: Loose or damaged wires can make your product run unsatisfactorily, stop running or prevent it from starting.

- Examine the wires.

To replace the headlight bulb

1. Open the engine cover.
2. Turn the bulb holder slightly counterclockwise and pull it out of the holder behind the grill.
3. Replace the bulb in the bulb holder.
4. Push the bulb holder into the holder behind the grill.
5. Turn the bulb holder slightly clockwise to install it.
6. Close the engine cover.

To do a check of the tires

Note: To seal the tire holes and prevent flat tires because of slow leaks, purchase sealant from your local parts dealer. Tire sealant also prevents tire dry rot and corrosion.

- Make sure the air pressure in all tires is correct (See the sides of tires for correct PSI).
- Keep the tires free of gasoline, oil or insect control chemicals that can cause damage to the rubber.
- Keep the tires away from stumps, stones, rut pits, sharp objects and other dangerous objects that may cause tire damage.

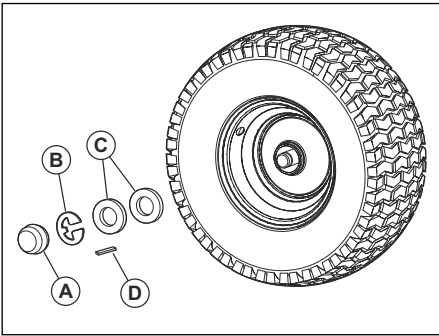
To repair the tires

1. Lift the front axle and support it safely.



CAUTION: Lift and support one axle at a time.

2. Remove the dust cover (A), the E-clip (B), the washer (C) and the square key (D).



Note: There are square keys on the rear wheels only.

3. Remove the wheel from the axle.
4. Remove the tire from the wheel.
5. Repair the tire.

Note: Use tire sealant to seal holes in the tire. Tire sealant also prevents tire dry rot and corrosion.

6. Install the tire on the wheel.
7. Install the wheel, the washer, the square key, and the E-clip on the axle. Make sure that the E-clip is installed correctly in the groove on the axle.
8. Install the dust cover.

To examine the V-belts

The belts are not adjustable.

- Examine the V-belts for deterioration and wear after each interval of 100 hours of operation.
- Replace the V-belts if they start to move because they are too worn.

To do maintenance on the transaxle cooling fan



CAUTION: Do not clean the fan or the transmission while the engine is on or while the transmission is hot.



CAUTION: Do not use a high-pressure washer or a steam cleaner. Water can go into bearings and electrical connections and cause corrosion which causes damage to the product.

To keep the transmission cool, keep the transmission fan and cooling fins clean.

- Before you clean with water, clean with a brush. Remove grass cuttings and dirt on and around the transaxle fan and cooling fins.
- Examine the cooling fan to make sure the fan blades are clean and not damaged.

To examine the transaxle pump fluid

- Make sure that the transaxle pump fluid does not leak.
- Speak to the nearest approved service center or department if the transaxle pump fluid leaks.

To adjust the front wheel toe-in and camber

The front wheel toe-in and camber is correctly set at the factory. The front wheel toe-in and camber are not adjustable.

- Speak to an approved service center if the factory-set front wheel toe-in or camber is damaged.

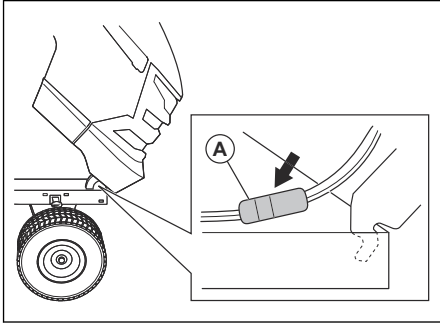
To replace the fuse

This product has an 20 A automotive-type fuse. The fuse holder is located behind the dashboard.

1. Hold the fuse holder and pull the blown fuse out.

- Put a new fuse in the fuse holder.

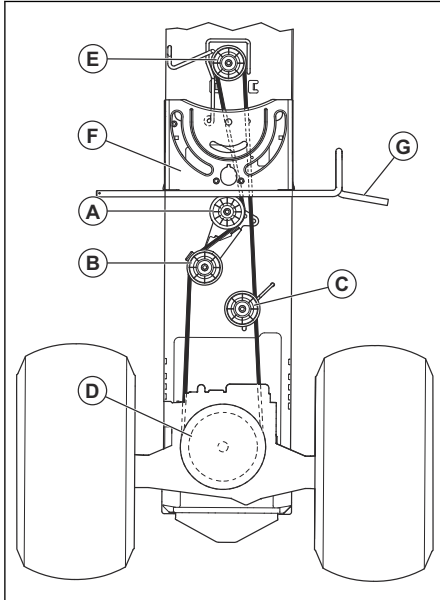
To remove and install the engine cover and the grill assembly



- Lift the engine cover.
- Disconnect the headlight wire connector (A).
- Stay in front of the tractor. Hold the engine cover on its sides. Tilt the engine cover in the direction of the engine and lift it to remove it from the product.
- Install in the opposite sequence.

To replace the drive belt

- Park the product on a level surface and engage the parking brake. Refer to *To engage and disengage the parking brake on page 14*.
- Remove the cutting deck. Refer to *To remove and install the cutting deck on page 22*.
- Remove the drive belt from the pulley (A) and the clutch pulley (B).



- Remove the drive belt from the belt tension pulley (C).
- Pull the drive belt rearward and remove it from the transmission input pulley (D) and above the cooling fan blades.
- Remove the drive belt from the engine pulley (E) on the engine shaft.
- Move the drive belt rearward and above the steering plate (F) to remove the drive belt from the product.
- Install a new drive belt in the opposite sequence. Make sure that you install the drive belt on top of the steering support plate (F) and the clutch/ brake pedal shaft (G).

Battery

Battery maintenance

Note: The battery on your product is maintenance free. Do not open or remove the caps or the covers.

Note: Regularly charge the battery with an automotive charger to extend the life of the battery.

- Keep the battery and the terminals clean.
- Make sure that all the bolts that hold the battery and the cables are safely tightened.
- Keep the small vent holes in the battery open.
- Charge the battery at 6-10 A for 1 hour.

To clean the battery and the terminals

Corrosion and dirt on the battery and terminals can cause the battery to drain power.

- Remove the terminal guard.
- Disconnect the BLACK battery cable.
- Disconnect the RED battery cable and remove the battery from the product.
- Spray the battery with water and let dry.
- Clean the terminals and battery cable ends with a wire brush.
- Lubricate the terminals with grease or equivalent.
- Install the battery. Refer to *To replace the battery on page 21*.

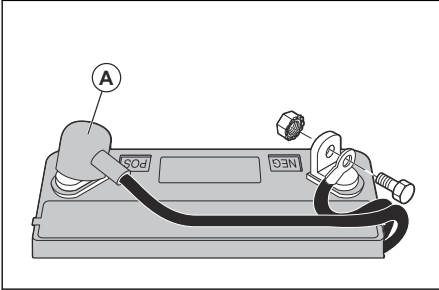
To replace the battery

The battery is installed below the seat.



WARNING: Risk of electrical shock and burn injuries. Do not use metal wristbands or other metal accessories. Metal items that touch the battery terminals can cause burn injuries, electrical shock, and short circuit of the battery.

1. Stop the product. Refer to *To stop the product on page 14*.
2. Fold the seat forward.
3. Remove the terminal covers (A).



4. Remove the bolt and the nut to disconnect the black (negative) battery cable from the negative (-) terminal.



WARNING: Risk of electrical shock and burn injuries. The black (negative) battery cable must be disconnected before you disconnect the red (positive) battery cable.

5. Remove the bolt and the nut to disconnect the red (positive) battery cable from the positive (+) terminal.
6. Carefully remove the battery from the product.
7. Install a new battery.
8. Connect the red (positive) battery cable to the positive (+) terminal and tighten the bolt and the nut.



WARNING: Risk of electrical shock and burn injuries. The red (positive) battery cable must be connected to the positive (+) terminal before the black (negative) battery cable is connected to the negative (-) terminal to prevent injury and accidental grounding.

9. Connect the black (negative) battery cable to the negative (-) terminal and tighten the bolt and the nut.
10. Install the terminal covers.
11. Fold the seat rearward.

To connect the jumper cables

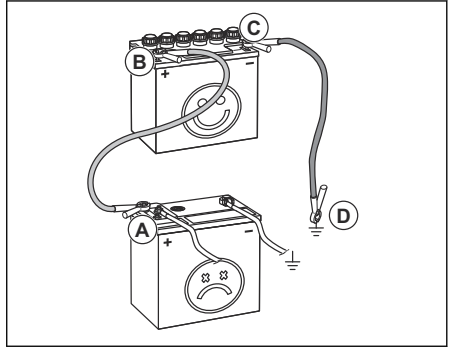


WARNING: Risk of explosion because of explosive gas that comes from the battery. Do not connect the negative terminal of the charged battery to or near the negative terminal of the weak battery.



CAUTION: Do not use the battery of your product to start other vehicles.

1. Connect one end of the red battery cable to the POSITIVE (+) battery terminal (A) on the weak battery.



2. Connect the other end of the red battery cable to the POSITIVE (+) battery terminal (B) on the charged battery.



WARNING: Do not let the ends of the red battery cable touch the chassis. This will cause a short circuit.

3. Connect one end of the black battery cable to the NEGATIVE (-) battery terminal (C) on the charged battery.
4. Connect the other end of the black battery cable to a CHASSIS GROUND (D), away from the fuel tank and the battery.

To remove the jumper cables

Note: Remove the jumper cables in the opposite sequence to how you connect them.

1. Remove the BLACK cable from the chassis.
2. Remove the BLACK cable from the fully charged battery.
3. Remove the RED cable from the 2 batteries.

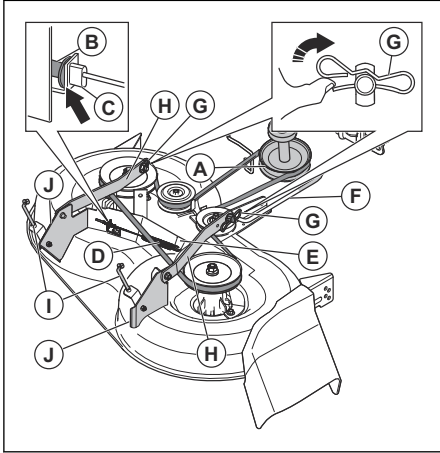
Cutting deck

To remove and install the cutting deck

Note: If an accessory other than the cutting deck is to be used, the front link and the rear lift links must be removed from the product. Also, the clutch cable spring must be put into the cable guide on the front edge of the lower dash.

1. Disengage the cutting deck. Refer to *To engage and disengage the cutting deck on page 15*.

2. Stop the product. Refer to *To stop the product on page 14*.
3. Lower the cutting deck to the lowest position.
4. Remove the drive belt from the clutch pulley (A).



5. Remove the clutch cable (B), push the tab (C) and move the clutch cable out of the bracket.
6. Carefully remove the clutch cable spring (D) from the idler arm (E).
7. Disconnect the front link (F) from the cutting deck and remove the retainer spring and washer.
8. Remove the clips (G) and disconnect the suspension arms (H) from the chassis pins.
9. Disconnect the rear lift links (I) from the rear cutting deck brackets (J) on each side of the cutting deck.
10. Remove the cutting deck from the product.
11. Install the cutting deck in the opposite sequence. Make sure that the discharge side is on the right side of the product.

Note: The suspension arms must be in forward position before you move the cutting deck below the product.

To adjust the parallelism of the cutting deck

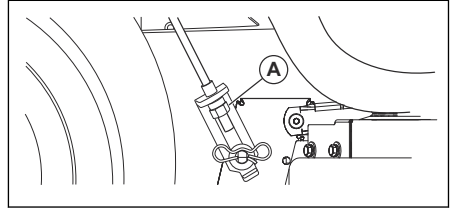
To do a visual side to side adjustment of the cutting deck

If the cutting height is not the same on the right and left side of the product, the cutting height can be adjusted. Adjust the cutting height on the side of cutting deck that has the lower cutting height.

1. Make sure that the tires are fully inflated.
2. Park the product on a level surface.
3. Go to the side of cutting deck that has the lower cutting height.

Note: Some models only have left side adjustment.

4. Adjust the cutting height with a 3/4" wrench.



Note: Each full turn of lift adjustment nut changes the cutting deck height 3/16" (4.7 mm).

- a) Turn the lift adjustment nut (A) to the left to lower the cutting deck.
 - b) Turn the lift adjustment nut (A) to the right to lift the cutting deck.
5. Cut some grass and examine the results. Adjust if it is necessary.

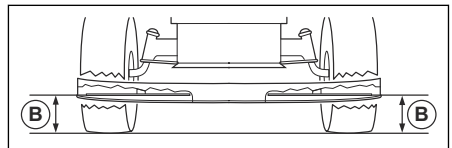
To do a precision side to side adjustment of the cutting deck

1. Make sure that the tires are fully inflated.
2. Park the product on a level surface.
3. Put the cutting deck in the transport position. Refer to *To set the cutting deck in transport position or mow position on page 13*.
4. Turn the outer blade tips to align with the cutting deck side to side.



WARNING: The blades on the cutting deck are sharp and can cause injury. Use protective gloves.

5. Measure the distance (B) from the bottom edge of the blade to the ground on the left and right side.

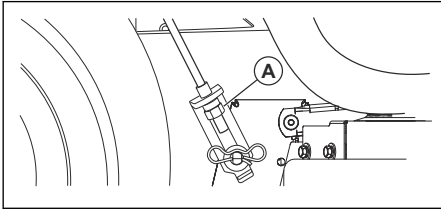


Note: The distance must be the same on the 2 sides.

6. Adjust the cutting height with a 3/4 in wrench.

Note: Each full turn of the lift adjustment nut changes the cutting height with 3/16 in (4.7 mm).

- a) Turn the lift adjustment nut (A) to the left to lower the cutting deck.



- b) Turn the lift adjustment nut (A) to the right to lift the cutting deck.

7. Measure the distance again. Adjust until the 2 sides are equal.
8. Cut some grass and examine the results. Adjust if it is necessary.

To do front to rear adjustment of the cutting deck

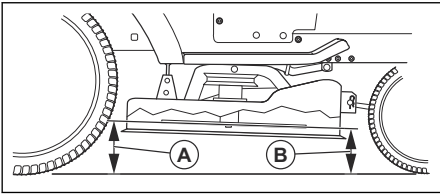
The cutting deck must be level side to side before you do front to rear adjustment. Refer to *To do a visual side to side adjustment of the cutting deck on page 23*.

1. Make sure that the tires are fully inflated.
2. Park the product on a level surface.
3. Put the cutting deck in transport position. Refer to *To set the cutting deck in transport position or mow position on page 13*.
4. Turn the blades until they point straight forward.



WARNING: The blades on the cutting deck are sharp and can cause injury. Use protective gloves.

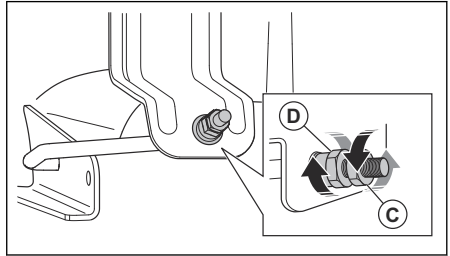
5. Measure the distance to the ground at the rear (A) and front (B) end of the blade.



Note: To get the best cutting results, the blades must be adjusted until the front end is 1/8–1/2 in (3.1–12.7 mm) lower than the rear end when the cutting deck is in the highest position.

6. Go to the front of the product to make an adjustment.

7. Use a 11/16 in wrench to loosen the jam nut (C) to clear the lift adjustment nut (D).



8. Adjust the cutting deck height with a 3/4 in wrench.

Note: Each full turn of the lift adjustment nut changes the cutting deck height 1/8 in (3.1 mm).

- a) Turn the lift adjustment nut counterclockwise to lower the cutting deck.
- b) Turn the lift adjustment nut clockwise to lift the cutting deck.
9. Measure the front and rear distance again.
10. Adjust until the front end of the blade is 1/8–1/2 in (3.1–12.7 mm) lower than the rear end.
11. Hold the lift adjustment nut in position with the wrench and tighten the jam nut.

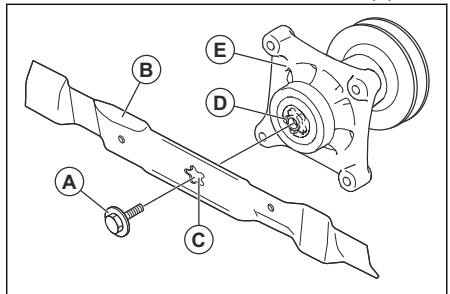
To replace the blades

For the best results, keep the mower blades sharp. Replace bent or damaged blades.



CAUTION: Use only a replacement blade approved by the manufacturer. It is dangerous to use a blade not approved by the manufacturer of the product. This can cause damage to the product and void your warranty.

1. Put the cutting deck in transport position. Refer to *To set the cutting deck in transport position or mow position on page 13*.
2. Remove the bolt (A) by turning it counterclockwise and remove the blade (B).





WARNING: The blades on the cutting deck are sharp and can cause injury. Use protective gloves.

3. Install the new or sharpened blade and the bolt.

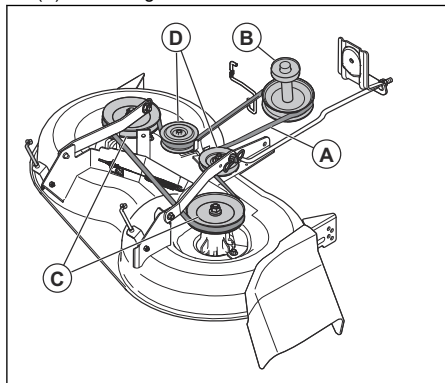


CAUTION: The center hole (C) in the blade must align with the star (D) on the mandrel assembly (E).

4. Torque the bolt to 45–55 ft-lbs (62-75 Nm).

To remove the drive belt for the cutting deck

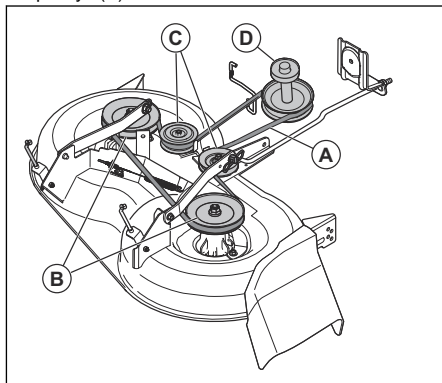
1. Park the product on a level surface and engage the parking brake. Refer to *To engage and disengage the parking brake on page 14*.
2. Remove the cutting deck. Refer to *To remove and install the cutting deck on page 22*.
3. Remove the dirt and grass around the mandrels and from the top surface of the cutting deck.
4. Remove the drive belt (A) from the clutch pulley (B) on the engine shaft.



5. Remove the drive belt from the mandrel pulleys (C) and the idler pulleys (D).

To install the drive belt for the cutting deck

1. Install the drive belt (A) around the mandrel pulleys (B).



CAUTION: Put the drive belt correctly in all the grooves on the cutting deck pulleys. The drive belt can become damaged if it is not installed correctly.

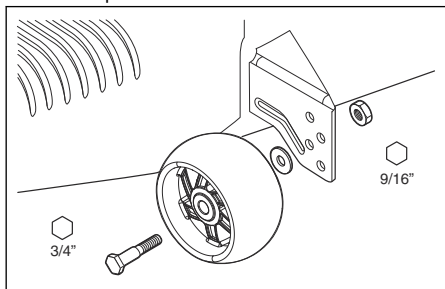
2. Install the drive belt around the idler pulleys (C).
3. Install the drive belt around the clutch pulley (D) on the engine shaft.
4. Install the cutting deck to the product. Refer to *To remove and install the cutting deck on page 22*.
5. Put the cutting deck in transport position. Refer to *To set the cutting deck in transport position or mow position on page 13*.

To adjust the anti-scalp rollers

The anti-scalp rollers keep the cutting deck in the correct position on the ground and prevent lawn scalping in most terrain conditions. The anti-scalp rollers are adjusted correctly when they are slightly off the ground when the cutting deck is at the necessary cutting height.

1. Park the product on a level surface and stop the engine.
2. Adjust the product to the necessary cutting height. Refer to *To set the cutting height on page 14*.

- Remove the nut, the bolt, the washer, and the anti-scalp roller.

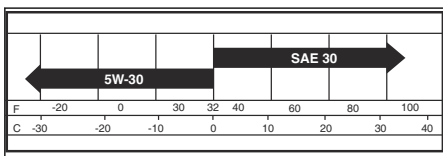


- Install the anti-scalp roller, the bolt, the washer, and the nut in the correct position.
- Adjust all anti-scalp rollers and install them in the same procedure.

Engine

To lubricate the engine

Only use high quality detergent oil rated with API service classification SJ-SN. The oil's SAE viscosity grade refers to the correct temperature for operation.



Note: Multi-viscosity oils (5W30, 10W30, and so on) help the engine start easily in cold weather but causes increased oil use when used in temperatures above 32°F/0°C. Do a check of your engine oil level frequently to prevent possible engine damage caused by low oil level.

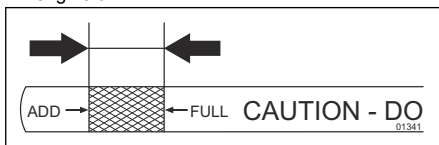
- Change the oil after intervals of 50 hours of operation. If the product is not used for 50 hours in a year, change the oil at a minimum of 1 time a year.
- Do a check of the crankcase oil level before you start the engine and after each eight (8) hours of operation.
- Tighten the oil fill cap/dipstick each time you do a check of the oil level.

To do a check of the engine oil level

The engine in the product is filled with engine oil for ambient temperatures of more than 32° F (0° C). For operation in ambient temperatures of less than 32° F (0° C), use the correct engine oil to make the product easier to start. Refer to *Technical data on page 34*.

- Park the product in level ground.
- Remove the oil fill cap and dipstick and clean it with a cloth.

- Put the dipstick into the oil fill tube. Do not turn the oil fill cap onto the oil fill tube.
- Remove the dipstick. Use the gauge on the dipstick to examine the engine oil level. If necessary, fill engine oil until the mark "FULL" on the dipstick is reached. Do not fill too much engine oil.



- Put the dipstick into the oil fill tube. Make sure that the oil fill cap is fully tightened.

Note: To replace the engine oil, Refer to *To replace the engine oil on page 26*.

To replace the engine oil

If the engine is cold, start the engine for 1–2 minutes before you drain the engine oil. This makes the engine oil warm and faster to drain.



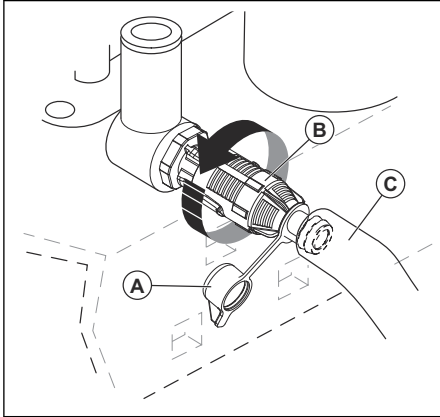
WARNING: Do not operate the engine for more than 1–2 minutes before you drain the engine oil. The engine oil becomes very hot and can cause burn injuries. Let the engine become cool before you drain the engine oil.



WARNING: Use protective gloves. If you spill engine oil on your body, clean with soap and water.

- Put the product on a level surface and stop the product. Refer to *To stop the product on page 14*.
- Remove all dirt around the oil tank cap.
- Remove the oil tank cap and dipstick.

- Remove the yellow cap (A) from the oil drain valve (B).



- Install the oil drain tube (C) to the oil drain valve.
- Put a container below the engine to collect the engine oil and put the other end of the oil drain tube into the container.
- Push in and turn the oil drain valve counterclockwise to unlock it.
- Pull out on the drain valve to open it.
- Let the engine oil drain into the container.
- Push in and turn the oil drain valve clockwise to close and lock it.
- Remove the oil drain tube.
- Install the yellow cap.
- Fill with new oil in the oil filler tube and do a check of the engine oil level. Refer to *To do a check of the engine oil level on page 26*.
- Install the oil tank cap and dipstick.

Note: For safe disposal of used engine oil, refer to *Disposal on page 34*.

To replace the engine oil filter



WARNING: Use protective gloves. If you spill engine oil on your body, clean with soap and water.

- Drain the engine oil from the oil tank. Refer to *To replace the engine oil on page 26*.
- Turn the engine oil filter counterclockwise to remove it.
- Lightly lubricate the rubber seal on the new oil filter with new engine oil.
- To install the new oil filter, turn it clockwise until the rubber seal fits correctly, then tighten a half turn more.
- Fill the oil tank with new engine oil. Refer to *To replace the engine oil on page 26*.

- Start the engine and let it operate at idle speed for 3 minutes.
- Stop the engine and make sure that there is no oil leakage from the oil filter.

Note: If there is oil leakage, tighten the oil filter again.

- Fill the oil tank with more engine oil to replace the engine oil that the new oil filter has absorbed.

To clean the air filter

The engine will not run satisfactorily with a dirty air filter. Clean the air filter more frequently in dusty conditions.

To clean the air screen

Note: The air screen must be kept free of dirt to prevent engine damage caused by overheating.

- Clean the air screen with a wire brush or compressed air to remove dirt.

To do maintenance on the engine cooling system

Note: A blocked grass screen, dirty or full cooling fins, and/or removed blower housing, and so on, can make the engine too hot and cause engine damage.

- Make sure that the grass screen, the cooling fins, and other external surfaces of the engine are clean at all times.
- After each interval of 100 hours of operation (more often in extremely dusty and dirty conditions), remove the blower housing and other parts of the engine cooling system. Clean the cooling fins and external surfaces as necessary. Make sure that the engine cooling system parts are installed correctly.

To replace the spark plugs

The spark plug type and clearance (gap setting) are shown in *Technical data on page 34*.

- Replace the spark plugs at the start of each cutting season or after each interval of 100 hours of operation.

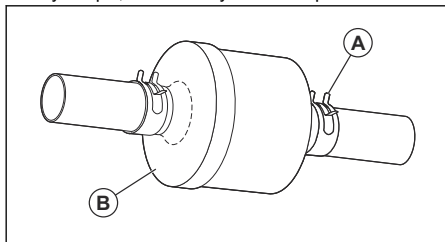
To replace the in-line fuel filter

Note: Replace the in-line fuel filter every year at minimum.

Replace the in-line filter if it becomes clogged and stops the flow of fuel to the carburetor.

- Let the engine cool.
- Remove the in-line fuel filter (B) and seal the fuel line sections with plugs.

- Put the new in-line fuel filter in position in the fuel line with the arrow pointing to the carburetor.
- Make sure that there are no fuel line leaks and that the clamps (A) are in the correct position.
- If you spill, immediately clean the product.



To remove the air from the transmission



CAUTION: Do not engage or disengage freewheel lever when the engine is in operation.

To keep high performance, remove the air in the transmission before you operate the product for the first time.

If you replace the transmission, remove the air in the new transmission before you operate the product.

- Park the product on a level surface that is clear and open.

- Stop the engine and engage the parking brake.
- Put the freewheel control in the disengaged position. Refer to *Transportation on page 33*.
- Start the engine. When the engine has started, move the throttle control to the slow position and disengage the parking brake.
- Do the steps that follow 3 times.

Note: During this procedure, there can be movement of the drive wheels.

- Push the forward drive pedal to the full forward position and keep it pushed down for 5 seconds before you release it.
 - Push the reverse drive pedal to the full reverse position and keep it pushed down for 5 seconds before you release it.
- Stop the engine and engage the parking brake.
 - Put the freewheel control in the engaged position. Refer to *Transportation on page 33*.
 - Sit in the seat and start the engine. When the engine has started, move the throttle control to the half speed position.
 - Disengage the parking brake.
 - Operate the product forward for approximately 5 ft (1.5 m) then rearward for 5 ft (1.5 m). Do this procedure 3 times.

Troubleshooting

Problem	Cause	Action
The engine does not start.	There is no fuel in the fuel tank.	Fill the fuel tank.
	The throttle control is not in the correct position.	Refer to the start instructions.
	The spark plug is damaged.	Replace the spark plug.
	The air filter is dirty.	Clean or replace the air filter.
	The fuel filter is clogged.	Replace the fuel filter.
	There is water in the fuel.	Remove all fuel from the fuel tank and the carburetor. Fill the fuel tank with new fuel and replace the fuel filter.
	The wires are loose or damaged.	Do a check of all wires.
	The engine valves are not adjusted correctly.	Speak to an approved service agent.
	The engine is flooded.	Wait 2–3 minutes before you try to start the engine again.
	The fuel in the fuel tank is bad.	Replace the fuel in the fuel tank.

Problem	Cause	Action
The starter motor does not turn the engine over.	The battery is too weak.	Charge the battery.
	The attachment clutch control is engaged.	Disengage the attachment clutch control.
	The clutch/brake pedal is not pushed down fully.	Push down the clutch/brake pedal fully when you start the engine.
	The connection at the cable connectors on the battery terminals is bad.	Do a check of the battery connections.
	The main fuse is damaged.	Replace the main fuse.
	The ignition lock is damaged.	Speak to an approved service agent.
	The safety connector for clutch/brake pedal is damaged.	Speak to an approved service agent.
	The starter motor or the solenoid is damaged.	Speak to an approved service agent.
	The operator presence control (OPC) does not operate correctly.	Do a check of the wires, switches and connections. If not corrected, speak to an approved service agent. Do not use a product with an operator presence control that does not operate correctly.
The engine does not run smoothly.	The spark plug is damaged.	Replace the spark plug.
	The carburetor is not adjusted correctly.	Speak to an approved service agent.
	The air filter is dirty.	Clean or replace the air filter.
	The check valve on the fuel tank cap is damaged.	Replace the fuel tank cap.
	The fuel tank is almost empty.	Fill the fuel tank with fuel.
	There is water in the fuel.	Remove all fuel from the fuel tank and the carburetor. Fill the fuel tank with new fuel and replace the fuel filter.
	The choke is engaged and the engine is warm.	Disengage the choke.
	The fuel mix or fuel type is incorrect.	Remove all fuel from the fuel tank and the carburetor. Fill the fuel tank with the correct fuel mix or fuel type.
	The fuel filter is clogged.	Replace the fuel filter.
	The spark plug is damaged.	Replace the spark plug.
There is dirt in the carburetor or fuel line.	Clean the carburetor and fuel lines.	

Problem	Cause	Action
The engine becomes too hot.	There is overload in the engine.	Decrease the workload.
	The air intake or the cooling fins on the engine are blocked.	Clean the air intake and the cooling fins on the engine.
	The cooling fan is damaged.	Speak to an approved service agent.
	The engine oil level is too low.	Do a check of the engine oil level. Fill with engine oil if it is necessary.
	The ignition lock is damaged.	Speak to an approved service agent.
	The spark plug is damaged.	Replace the spark plug.
There is loss of power.	The product is operated at too high forward or rearward speed when you cut grass.	Use slower speed.
	The throttle control is in the choke position.	Put the throttle control in the fast position.
	There is build-up of grass, leaves or unwanted material under the cutting deck.	Clean the cutting deck.
	The air filter is dirty.	Clean or replace the air filter.
	The engine oil level is too low.	Do a check of the engine oil level. Fill with engine oil if it is necessary.
	The engine oil is dirty.	Replace the engine oil.
	The spark plug is damaged.	Replace the spark plug.
	The fuel filter is dirty.	Replace the fuel filter.
	The fuel in the fuel tank is bad.	Replace the fuel in the fuel tank.
	There is water in the fuel.	Remove all fuel from the fuel tank and the carburetor. Fill the fuel tank with new fuel and replace the fuel filter.
	The spark plug wire is loose.	Connect and tighten the spark plug wire.
	The air intake or the cooling fins on the engine are blocked.	Clean the air intake and the cooling fins on the engine.
	The muffler is clogged or damaged.	Clean or replace the muffler.
	There is loose or damaged wiring.	Do a check of all wiring.
	The engine valves are not adjusted correctly.	Speak to an approved service agent.
There is vibration in the product.	The blades are loose.	Tighten bolts on the blades.
	One or more of the blades are damaged or not balanced.	Balance the blades or replace the blades.
	The engine is loose.	Tighten the engine bolts.

Problem	Cause	Action
The battery does not charge.	The main fuse is damaged.	Replace the main fuse.
	The battery is damaged.	Replace the battery.
	The charging cable is disconnected.	Connect the charging cable.
	The connection at the cable connectors on the battery terminals is bad.	Do a check of the battery connections.
The engine operates when the operator gets up from the seat when the cutting deck is engaged.	The operator presence control (OPC) does not operate correctly.	Do a check of the wires, switches and connections. If not corrected, speak to an approved service agent. Do not use a product with an operator presence control that does not operate correctly.
The blades cannot rotate.	There is blockage in the clutch mechanism.	Remove the blockage.
	The drive belt for the cutting deck is worn or damaged.	Replace the drive belt for the cutting deck.
	An idler pulley is frozen.	Replace the idler pulley.
	A blade mandrel is frozen.	Replace the blade mandrel.
Damaged grass discharge.	The engine speed is too slow.	Put the throttle control in the fast position.
	The product is operated at too high forward or rearward speed.	Use slower speed.
	The grass is wet.	Let the grass become dry before you cut it.
	The cutting deck is deck not parallel.	Adjust the parallelism of the cutting deck. Refer to <i>To adjust the parallelism of the cutting deck on page 23</i> .
	The tire pressure is incorrect.	Do a check of the tire pressure. Adjust the tire pressure if it is necessary.
	The blades are worn, damaged or loose.	Replace blades or tighten bolts on the blades.
	Buildup of grass or dirt below the cutting deck.	Clean the cutting deck.
	The drive belt for the cutting deck is worn or damaged.	Replace the drive belt for the cutting deck.
	The blades are incorrectly installed.	Install the blades with the sharp edge down.
	Incorrect blades are used.	Replace the blades with the correct blades in the parts manual.
Clogged air holes of the cutting deck from buildup of grass, dirt around mandrels.	Clean around mandrels to open air holes.	

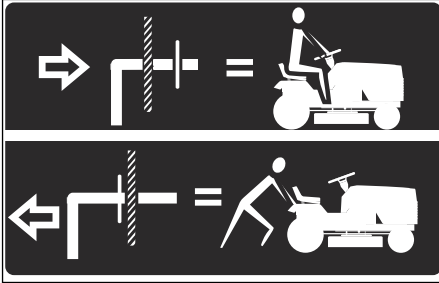
Problem	Cause	Action
The headlight does not function.	The headlight switch is in the off position.	Turn the headlight switch to the on position.
	The light bulb is damaged.	Replace the light bulb.
	The power switch for the headlight is damaged.	Replace power switch for the headlight.
	The cable to the headlight is not connected.	Do a check of wires and connections.
	There is short-circuit in the headlight cable.	Speak to an approved service agent.
The product moves slowly, with irregular speed or not at all.	The product is in freewheel mode.	Pull out the freewheel control lever. Refer to <i>To put the product in freewheel mode on page 16</i> .
	The parking brake is engaged.	Disengage the parking brake.
	The drive belt is loose or damaged.	Replace drive belt.
	There is air in the transmission.	Remove the air from the transmission. Refer to <i>To remove the air from the transmission on page 28</i> .
	There is unwanted materials on the steering plate (if the steering plate is installed).	Clean the product.
	The square key on the axle is missing.	Install the square key. Refer to <i>To repair the tires on page 20</i> .
The cutting result is unsatisfactory.	The blades are blunt or damaged.	Sharpen the blades or replace the blades.
	The cutting deck is not parallel.	Adjust the parallelism of the cutting deck. Refer to <i>To adjust the parallelism of the cutting deck on page 23</i> .
	The grass is wet.	Let the grass become dry before you cut it.
	The grass is long.	Start with a high cutting height and decrease it gradually.
	The tire pressure is incorrect.	Do a check of the tire pressure. Adjust the tire pressure if it is necessary.
	The product is operated at too high forward or rearward speed.	Use slower speed.
	The drive belt for the cutting deck is worn or damaged.	Replace the drive belt for the cutting deck.
The engine backfires when the engine stops.	The throttle control is not put in the slow position.	Refer to <i>To stop the product on page 14</i> .
The engine stops when you try to reverse.	The reverse operation system (ROS) is not engaged.	Engage the reverse operation system (ROS). Refer to <i>To use the reverse operation system (ROS) on page 15</i> .

Transportation, storage and disposal

Transportation

Note: Close and attach the hood to the product during transportation to prevent damage. Connect the hood to the product with the correct tools (rope, cord and so on).

When you move the product, put the freewheel control in freewheeling position to disengage the transmission. Freewheel control is at the rear drawbar of the product.



1. Lift the attachment to the highest position with the attachment lift control.
2. Pull the freewheel control out and into the slot and release to hold it in the disengaged position.
3. Do not move the product at more than two (2) mph (3.2 km/h).
4. To reengage transmission, reverse the above procedure.

Tow safety

- Only use tow equipment approved by Husqvarna.
- Use the tow bar to attach the equipment.
- Do not tow equipment that is heavier than the maximum permitted weight.
- Make sure that no other persons is near the product when you tow equipment.
- Do not tow equipment on slopes or rough ground.
- Operate the product at low speed when you tow equipment.

Storage

Prepare the product for storage at the end of the season, and before more than 30 days of storage. If you keep fuel in the fuel tank for 30 days or more, tacky particles can cause blockage in the carburetor. This has a negative effect on the engine function.

To prevent tacky particles during storage, add a stabilizer. If alkylate gasoline is used, stabilizer is not necessary. If you use standard gasoline, do not change to alkylate gasoline. This can cause sensitive rubber parts to become hard. Add stabilizer to the fuel in the tank or in the container used for storage. Always use the mixing ratios given by the manufacturer. Run the engine for a minimum of 10 minutes after you add the stabilizer until it flows into the carburetor.



WARNING: Do not keep the product with fuel in the tank in an indoor location or in locations with bad airflow. Risk of fire if fuel fumes come near open flames, sparks, or pilot lights in for example boilers, hot water tanks and clothes dryers.



WARNING: Remove grass, leaves and other flammable materials from the product to decrease the risk of fire. Let

the product become cool before you put it in storage.

- Clean the product, see *To clean the product on page 19*. Repair paint damages to prevent corrosion.
- Examine the product for worn or damaged parts and tighten loose screws and nuts.
- Remove the battery. Clean it, charge it, and keep it cool during storage.
- Change the engine oil, and discard the waste oil.
- Empty the fuel tank. Start the engine and run it until there is no remaining fuel in the carburetor.

Note: Do not empty the fuel tank and carburetor if a stabilizer has been added.

- Remove the plugs and put about a tablespoon of engine oil into each cylinder. Manually turn the engine shaft to apply the oil and put the plugs back on.
- Lubricate all grease nipples, joints and axles.
- Keep the product in a clean and dry area and cover it for more protection.
- A cover for protection of your product during storage or transport is available at your dealer.

Disposal

- Chemicals can be dangerous and must not be discarded on the ground. Always discard used chemicals at a service center or an applicable disposal location.
- When the product is worn out, send it to the dealer or to an applicable recycling location.
- Oil, oil filters, fuel and the battery can have negative effects on the environment. Obey the local recycling requirements and applicable regulations.
- Do not discard the battery as domestic waste.
- Send the battery to a Husqvarna service agent or discard it at a disposal location for used batteries.

Technical data

TS 142T	
Engine	
Engine brand	LCC
Engine model	LC2P80
Nominal engine output, hp / kW ¹	19.4 / 14.5
Max. engine speed, rpm	2600 ± 100
Engine idle speed, rpm	1750 ± 100
Maximum speed forward, mph / km/h	4.16 / 6.7
Maximum speed reverse, mph / km/h	2.2 / 3.5
Fuel, minimum octane grade, lead-free, max 10% Ethanol and max 15% MTBE, AKI / RON	87 / 91
Fuel tank volume, gallons / l	1.5 / 5.68
Oil type above 32°F / 0°C (API: SJ-SN):	SAE 30
Oil type below 32°F / 0°C (API: SJ-SN):	SAE 5W30
Oil volume with oil filter, oz. / l	80 / 2.37
Oil volume without oil filter, oz. / l	72 / 2.13
Lubrication system	Pressure with oil filter
Cooling system	Air cooled
Air filter	Dual
Alternator, V. amp. @ 3600 rpm	12V 15 amp @ 3600 rpm
Start motor	Electric start 12 V
Weight	
Weight, with empty tanks, lb / kg	465 / 211
Cutting deck	
Number of blades	2

¹ The power rating as declared by the engine manufacturer is the average gross power output at the specified RPM of a typical production engine for the engine model measured using SAE Standards for engine gross power. Refer to the engine manufacturer engine specifications.

	TS 142T
Blade length, in. / cm	21 / 53.34
Cutting Width, in. / cm	42 / 107
Cutting Height, in. / cm	1.0–4.0 / 2.5–10.2
Tires	
Tire pressure, rear – front, PSI / kPa / bar	15 / 103 / 1
Front caster tires, in.	15 x 6-6
Rear tires, turf pneumatic, in.	20 x 8-8
Brakes	Mechanical parking brake
Electrical system	
Type	12 V
Battery	28 A
Spark plug	Champion RN9YC
Electrode gap, in. / mm	0.030 / 0.76
Spark plug torque, lb-ft / Nm	14.75 / 20
Noise emissions ²	
Sound power level, measured dB(A)	100
Sound power level, guaranteed L _{WA} dB(A)	100
Sound levels ³	
Sound pressure level at the operators ear, dB(A)	80
Vibration levels ⁴	
Vibration level on the steering wheel, m/s ²	4.25
Vibration level in the seat, m/s ²	0.92

Service

Service

Do a yearly check at an authorized service center to make sure that the product functions safely and at its best during high season. The best time to do a servicing or overhaul of the product is low season.

When you send an order for the spare parts, give information about the purchase year, model, type, and serial number.

Always use original spare parts.

² Noise emissions in the environment measured as sound power (L_{WA}) in conformity with EC directive 2000/14/ EC. Reported sound power level for the machine has been measured with the original cutting attachment that gives the highest level. The difference between guaranteed and measured sound power is that the guaranteed sound power also includes dispersion in the measurement result and the variations between different machines of the same model according to Directive 2000/14/EC.

³ Reported data for equivalent sound pressure level for the product has a typical statistical dispersion (standard deviation) of 1 dB(A).

⁴ Reported data for equivalent vibration level has a typical statistical dispersion (standard deviation) of 1 m/s².

Declaration of Conformity

EU Declaration of Conformity

We, Husqvarna AB, SE 561 82 Huskvarna, SWEDEN, declare under our sole responsibility that the represented product:

Description	Combustion-engine-powered ride-on lawn mower with seated operator
Brand	Husqvarna
Platform / Type / Model	TS 142T
Batch	Serial number dating 2021 and onwards

complies fully with the following EU directives and regulations:

Directive/Regulation	Description
2006/42/EC	"relating to machinery"
2011/65/EU	"restriction of use of certain hazardous substances"
2014/30/EU	"relating to electromagnetic compatibility"
2000/14/EC, 2005/88/EC	"relating to outdoor noise"

Harmonized standards and/or technical specifications applied are as follows: EN ISO 12100:2010, EN ISO 14982:2009, EN ISO 5395-1:2013/A1:2018, EN ISO 5395-3:2013/A1:2017/A2:2018, EN ISO 3744:2010, EN ISO 11094:1991, EN 1032:2009, EN IEC 63000:2018, EN IEC 63000:2018.

In accordance with directive 2000/14/EC, Annex VI, the declared sound values are:

Measured sound power level: 99 dB(A).

Guaranteed sound power level: 100 dB(A).

The supplied combustion-engine-powered ride-on lawn mower with seated operator conforms to the example that underwent examination.

On behalf of Husqvarna AB, SE 561 82 Huskvarna, SWEDEN, 2021-06-07.



Claes Losdal

Responsible for technical documentation.



UK Declaration of Conformity

We, **Husqvarna AB**, SE-561 82 Huskvarna, SWEDEN, tel: +46-36-146500, declare on our sole responsibility that the product:

Description	Combustion-engine-powered ride-on lawn mower with seated operator
Brand	Husqvarna
Type / Model	TS 142T
Identification	Serial numbers dating from 2021 and onwards

complies fully with the following UK directives and regulations:

Directive / Regulation	Description
2008/1597	The Supply of Machinery (Safety) Regulations 2008
2016/1091	The Electromagnetic Compatibility Regulations 2016
2001/1701	The Noise Emission in the Environment by Equipment for use Outdoors Regulations 2001
2012/3032	The restriction of the use of Certain Hazardous Substances in Electrical and Electronic Equipment 2012

Harmonized standards and/or technical specifications applied are as follows: EN ISO 12100:2010, EN ISO 14982:2009, EN ISO 5395-1:2013/A1:2018, EN ISO 5395-3:2013/A1:2017/A2:2018, EN ISO 3744:2010, EN ISO 11094:1991, EN 1032:2009, EN IEC 63000:2018, EN IEC 63000:2018.

UK Importer:
Husqvarna UK Ltd
Preston Road, Co. Durham
DL5 6UP

In accordance with directive statutory instrument 2001/1701, conformity assessment procedure, schedule 9, the declared sound values are:

Measured sound power level: 99 dB(A).

Guaranteed sound power level: 100 dB(A).

The supplied combustion-engine-powered ride-on lawn mower with seated operator conforms to the example that underwent examination.

On behalf of Husqvarna AB, SE 561 82 Huskvarna, SWEDEN, 2021-06-07.



Claes Losdal

Responsible for technical documentation.

**UK
CA**

Sommaire

Introduction.....	38	Remisage.....	75
Sécurité.....	42	Mise au rebut.....	76
Montage.....	47	Caractéristiques techniques.....	76
Utilisation.....	49	Entretien.....	78
Entretien.....	54	Déclaration de conformité.....	79
Dépannage.....	68	Annexe	238
Transport, entreposage et mise au rebut.....	75		

Introduction

Inspection avant livraison et numéros de produit

recevez une copie signée de l'inspection avant livraison document chez le concessionnaire.

Remarque: Une inspection avant livraison a été effectué de ce produit. Assurez-vous que vous

Agent d'entretien informations de contact :	
Ce manuel d'utilisation concerne produit avec les numéros de produit / numéro de série :	
	/
Moteur :	
Transmission :	

Description du produit

Il s'agit d'un tracteur pour pelouse dont l'unité de coupe est installée entre les arbres avant et arrière. Il est équipé d'un moteur quatre temps à essence.

Accessoires en option :

- Collecteur d'herbe
- Obturateur du broyeur

Utilisation prévue

Ce produit doit être utilisé uniquement pour couper de l'herbe dans des jardins privés et sur des pentes privées ne présentant pas une inclinaison supérieure à 15°. Il n'est pas prévu pour être utilisé dans les parcs publics, sur les terrains de sport, dans l'agriculture ou en foresterie. Utilisez uniquement le produit avec des accessoires approuvés par le fabricant.

Toute utilisation différente de ce produit est considérée comme une mauvaise utilisation. Elle annulera votre garantie et rejettera la responsabilité des dommages occasionnés sur l'utilisateur des tierces parties de la part du fabricant.

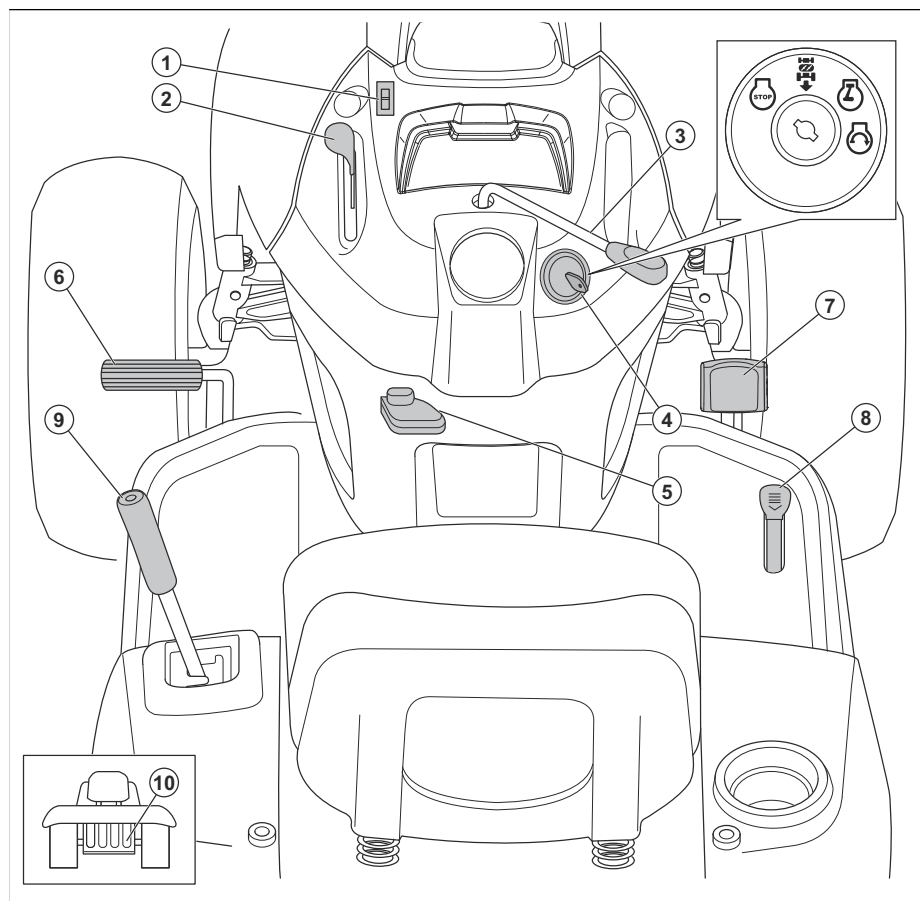
Reportez-vous aux directives locales concernant l'utilisation des tondeuses.

Assistance / Aide

Si vous avez besoin d'aide ou si vous avez des questions concernant l'application, le fonctionnement, l'entretien ou les pièces de votre produit :

- Visitez notre site Web : www.husqvarna.com
- Appelez-nous (numéro gratuit) : 1-800-487-5951

Aperçu du produit



1. Interrupteur d'éclairage
2. Commande d'accélération
3. Commande d'embrayage de l'accessoire
4. Interrupteur d'allumage
5. Levier de frein de stationnement
6. Pédale de frein
7. Pédale de marche avant
8. Pédale de marche arrière
9. Levier de levage d'accessoire
10. Levier de débrayage

Symboles concernant le produit



Attention ! Soyez prudent et utilisez le produit correctement. Ce produit peut causer des blessures graves, voire mortelles, à l'opérateur ou à d'autres personnes.



MISE EN GARDE : une utilisation incorrecte peut endommager le produit ou provoquer des dégâts matériels.



Lisez le manuel d'utilisation et assurez-vous de bien comprendre les instructions avant d'utiliser ce produit.

R

Marche arrière.

N

Point mort.



Élevé.



Bas.



Position de démarrage par temps froid.



Rapide.



Lent.



Starter.



Interrupteur d'allumage.



Moteur à l'arrêt.



Démarrage du moteur.



Moteur en marche.



Pédale d'embrayage et de frein.



Frein de stationnement.



Frein de stationnement enclenché.



Frein de stationnement désengagé.



Hauteur de coupe.



Carter de coupe levé.



Blocage de différentiel.



Système de sécurité marche arrière (ROS).



Marche arrière.



Vers l'avant.



Feux allumés.



Carburant.



pression d'huile.



Batterie.



Protection d'oreilles recommandée.



Les lames sont désengagées.



Les lames sont engagées.



Risque d'empoisonnement au monoxyde de carbone.



Prenez garde aux projections d'objets.



Danger. Gardez les mains et les pieds à l'écart.



Éloignez les personnes à proximité.



Le symbole du risque d'incendie indique un risque qui, s'il n'est pas pris en compte, peut entraîner la mort, des blessures graves et/ou des dommages.



Niveau de puissance sonore.



Le produit est conforme aux directives CE en vigueur.



Ce produit est conforme aux directives en vigueur au Royaume-Uni.



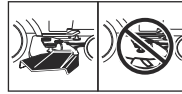
Gardez les mains et les pieds à distance de cette zone.



Ne faites pas fonctionner la machine sur des pentes supérieures à 15°.



Surfaces chaudes. Gardez les mains au loin.



La protection du déflecteur sur le carter de coupe doit être installée lorsque vous utilisez le produit.



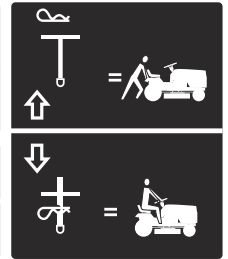
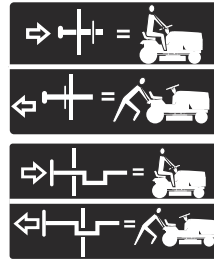
Le collecteur d'herbe doit être installé lors de l'utilisation du produit.



Risque pour les mains.



Charge sur la barre de remorquage.



Roue libre (modèles automatiques uniquement).

Responsabilité

Conformément à la loi sur la responsabilité du fait des produits, nous déclinons toute responsabilité pour tout dommage causé par notre produit si :

- le produit n'est pas correctement réparé ;
- le produit est réparé avec des pièces qui ne proviennent pas du fabricant ou qui ne sont pas homologuées par le fabricant ;
- le produit est équipé d'un accessoire qui ne provient pas du fabricant ou qui n'est pas homologué par le fabricant ;
- le produit n'est pas réparé par un centre d'entretien agréé ou par une autorité homologuée.

Définitions de sécurité

Des avertissements, des recommandations et des remarques sont utilisés pour souligner des parties spécialement importantes du manuel.



AVERTISSEMENT: Symbole utilisé en cas de risque de blessures ou de mort pour l'opérateur ou les personnes à proximité si les instructions du manuel ne sont pas respectées.



REMARQUE: Symbole utilisé en cas de risque de dommages pour le produit, d'autres matériaux ou les environs si les instructions du manuel ne sont pas respectées.

Remarque: Symbole utilisé pour donner des informations supplémentaires pour une situation donnée.

Consignes de sécurité pour l'utilisation de tondeuses autoportées



AVERTISSEMENT: Ce produit peut trancher les mains et les pieds et projeter des objets. Le non-respect de ces instructions de sécurité peut entraîner des blessures très graves, voire mortelles.



AVERTISSEMENT: pour éviter le démarrage accidentel de la tondeuse, débranchez et éloignez toujours le fil de la bougie avant toute intervention de configuration, de réglage, de transport ou de réparation.



AVERTISSEMENT: ne descendez pas une pente au point mort pour ne pas risquer de perdre le contrôle du tracteur.



AVERTISSEMENT: remorquez uniquement les équipements recommandés par le constructeur du tracteur et conformes aux spécifications de celui-ci. Faites preuve de bon sens lors du remorquage. N'utilisez le tracteur qu'à la vitesse la plus basse possible sur une pente. Une charge trop lourde sur une pente est dangereuse. Les pneus

peuvent perdre en adhérence et vous faire perdre le contrôle du tracteur.



AVERTISSEMENT: les gaz d'échappement du moteur, certains de ses composants et certains composants du véhicule contiennent ou émettent des produits chimiques, qui, selon l'État de Californie, peuvent provoquer des cancers, des malformations congénitales ou d'autres problèmes liés à la reproduction.

I. ENFANTS



AVERTISSEMENT: LES ENFANTS PEUVENT ÊTRE BLESSÉS PAR CET ÉQUIPEMENT. Selon l'Académie américaine de pédiatrie, il faut que les enfants aient au minimum 12 ans avant d'utiliser une tondeuse à pousser et au minimum 16 ans avant d'utiliser une tondeuse autoportée.



AVERTISSEMENT: CETTE MACHINE PEUT BLESSER GRIÈVEMENT OU MORTELLEMENT LES ENFANTS. Lisez attentivement et respectez toutes les instructions de sécurité ci-dessous.

Des accidents tragiques peuvent se produire si l'opérateur ne prend pas garde à la présence d'enfants. Les enfants sont souvent attirés par la machine et le travail de tonte. Ne supposez **jamais** que les enfants restent en place et qu'ils se trouvent encore à l'endroit où vous les avez vus pour la dernière fois.

- Éloignez les enfants de la zone de tonte et laissez-les sous la surveillance d'un adulte responsable **autre que** le conducteur.
- Soyez attentif et arrêtez la machine si un enfant pénètre sur la zone de tonte.
- Avant et pendant la marche arrière, regardez toujours le sol derrière vous pour vous assurer qu'aucun enfant n'est présent.
- Ne transportez jamais d'enfants, même si les lames sont arrêtées. Ils pourraient tomber et se blesser grièvement ou encore gêner la conduite en toute sécurité. Les enfants qui ont déjà été transportés sur la tondeuse peuvent revenir soudainement dans la zone de travail pour faire une nouvelle promenade à bord et être heurtés et renversés par la machine.
- N'autorisez jamais des enfants à utiliser la machine.

- Observez la plus grande prudence près de coins, de buissons, d'arbres et de tout autre obstacle bloquant la visibilité et pouvant vous empêcher de voir un enfant.

II. CONSIGNES GÉNÉRALES

- Avant de mettre la machine en marche, il est impératif de lire, comprendre et respecter tous les pictogrammes de sécurité appliqués sur la machine et toutes les consignes indiquées dans la notice.
- Ne placez ni les mains ni les pieds à proximité des pièces en rotation ou sous la machine. Restez toujours éloigné de l'ouverture de l'éjecteur.
- Seuls des adultes responsables, familiers avec les instructions sont autorisés à utiliser la tondeuse.
- Débarrassez la zone de travail des objets tels que pierres, jouets, fils de fer, etc. pouvant être happés et éjectés par les lames de la machine.
- Assurez-vous que personne ne se trouve dans la zone de travail avant de commencer à tondre. Arrêtez la machine dès que quelqu'un entre dans la zone de travail.
- Ne transportez jamais de passagers.
- Ne tondez pas en marche arrière sauf si vous ne pouvez pas faire autrement. Regardez toujours vers le bas et en arrière avant et pendant la marche arrière.
- Ne dirigez jamais les matériaux déchargés vers des personnes. Évitez de décharger les matériaux contre un mur ou un obstacle. Les matériaux risquent d'être projetés vers l'opérateur. Arrêtez les lames lorsque vous traversez des surfaces en gravier.
- N'utilisez pas la machine si le bac à herbe, la goulotte d'éjection et les autres sécurités ne sont pas en place et en état de marche.
- Ralentissez avant de tourner.
- Ne laissez jamais une machine en marche sans surveillance. Arrêtez toujours les lames, enclenchez le frein de stationnement et coupez le moteur avant de descendre.
- Désengagez les lames quand vous ne tondez pas. Éteignez le moteur et attendez l'arrêt complet de toutes les pièces de la machine avant de procéder à son nettoyage, d'enlever le collecteur d'herbe ou de libérer la goulotte d'éjection.
- Utilisez la machine uniquement à la lumière du jour ou sous un bon éclairage artificiel.
- N'utilisez pas la machine sous l'influence d'alcool ou de médicaments.
- Soyez sur vos gardes lorsque vous travaillez près d'une route ou traversez la chaussée.
- Soyez particulièrement prudent lorsque vous chargez ou déchargez la machine sur une remorque ou un camion.
- Portez toujours des protections pour les yeux lorsque vous utilisez la machine.

- Portez des protecteurs d'oreilles afin d'éviter toute perte auditive.
- D'après les statistiques, un pourcentage élevé des victimes d'accidents de tondeuses autoportées sont des utilisateurs âgés de plus de 60 ans. Ces utilisateurs doivent évaluer leur capacité à utiliser la tondeuse en toute sécurité pour pouvoir se protéger et protéger les autres contre des blessures très graves.
- Suivez les recommandations du fabricant relatives à l'utilisation de masses de roues ou de contrepoids.
- Pour éviter les risques d'incendie, retirez l'herbe, les feuilles et autres débris qui pourraient entrer en contact avec l'échappement ou le moteur chaud et s'enflammer. Ne laissez pas de feuilles ou autres débris s'accumuler sous le carter de coupe. Nettoyez toute trace éventuelle d'huile ou de carburant avant d'utiliser ou de ranger la machine. Laissez refroidir la machine avant de la ranger.

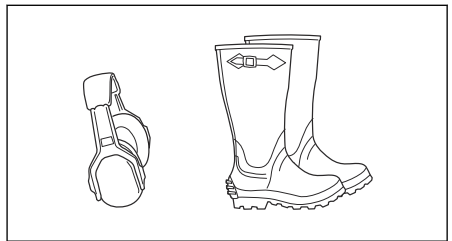
Consignes de sécurité pour le fonctionnement

Équipement de protection individuel



AVERTISSEMENT: lisez les instructions qui suivent avant d'utiliser le produit.

- Utilisez un équipement de protection individuel homologué lorsque vous utilisez le produit. L'équipement de protection individuel ne protège pas complètement des blessures, mais il diminue la gravité des blessures en cas d'accident. Faites appel à votre revendeur pour vous aider à sélectionner l'équipement adéquat.
- Utilisez des protège-oreilles homologués. Une exposition prolongée au bruit risque de causer des lésions auditives permanentes.
- Portez des bottes ou des chaussures antidérapantes et résistantes. Des embouts de sécurité en acier sont recommandés. Ne portez pas de chaussures ouvertes et ne soyez pas pieds nus lorsque vous utilisez le produit.



- Portez des gants de protection en cas de besoin, par exemple lorsque vous fixez, examinez ou nettoyez l'équipement de coupe.

- Ne portez pas de vêtements amples, de bijoux ou d'autres articles pouvant s'accrocher dans les pièces mobiles.
- Gardez toujours une trousse de premiers soins et un extincteur à portée de main.

Dispositifs de sécurité sur le produit



AVERTISSEMENT: Lisez les instructions qui suivent avant d'utiliser le produit.

- N'utilisez pas un produit dont les dispositifs de sécurité sont endommagés ou ne fonctionnent pas correctement. Contrôlez les dispositifs de sécurité régulièrement. Si les dispositifs de sécurité sont endommagés, parlez-en à votre agent d'entretien Husqvarna.
- N'apportez pas de modifications aux dispositifs de sécurité. N'utilisez pas le produit si des plaques de protection, des capots de protection, des interrupteurs de sécurité ou d'autres dispositifs de protection ne sont pas fixés ou sont endommagés.

Pour vérifier le contrôle de présence de l'utilisateur (OPC)



AVERTISSEMENT: N'utilisez pas le produit avec un contrôle de présence de l'utilisateur (OPC) qui ne fonctionne pas correctement. Si l'OPC ne fonctionne pas correctement, réparez-le immédiatement. Contactez un agent d'entretien agréé.

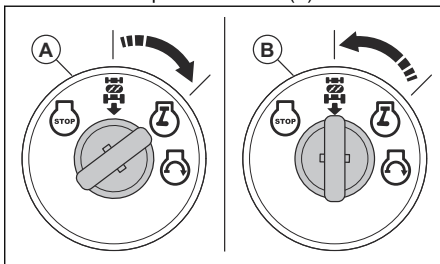
- Assurez-vous que le moteur ne peut pas démarrer tant que la pédale de frein n'est pas complètement enfoncée et que le carter de coupe n'est pas désengagé.
- Assurez-vous que le moteur s'arrête lorsque l'opérateur quitte le siège alors que le frein de stationnement n'est pas engagé.
- Assurez-vous que le moteur s'arrête lorsque l'opérateur quitte le siège alors que le carter de coupe est engagé.
- Assurez-vous que la commande d'embrayage du carter de coupe ne peut pas fonctionner lorsque l'opérateur n'est pas assis sur son siège.

Pour vérifier le système de sécurité marche arrière (ROS)

Si le système de sécurité marche arrière ne fonctionne pas correctement, réparez immédiatement le produit. Contactez un agent d'entretien agréé.

1. Faites démarrer le produit. Reportez-vous à la section *Pour démarrer le produit à la page 49*.

2. Engagez le carter de coupe. Reportez-vous à la section *Pour engager et désengager le carter de coupe à la page 52*.
3. Assurez-vous que le moteur s'arrête lorsque vous essayez de faire marche arrière avec la clé de contact en position marche (A).



4. Faites démarrer le produit et engagez à nouveau le carter de coupe.
5. Tournez la clé de contact sur la position système de sécurité marche arrière activé (B).
6. Assurez-vous que le moteur ne s'arrête pas lorsque la marche arrière est enclenchée avec la clé de contact en position ROS activé.

Contrôler les freins



AVERTISSEMENT: la maintenance des freins est nécessaire si la machine a besoin de plus de 5 pieds (1,5 m) pour s'arrêter à la vitesse la plus élevée et dans le rapport le plus élevé, sur une surface plane et sèche.

1. Stationnez la machine sur une surface plane et sèche, en béton ou pavée. Enfoncez complètement la pédale de frein et engagez le frein de stationnement.
2. Placez la commande de débrayage en position de transmission désengagée pour désengager la transmission.
3. Les roues arrière doivent se bloquer et patiner lorsque vous tentez de pousser la machine vers l'avant à la main. Si les roues arrière tournent, la maintenance des freins est nécessaire.
4. Contactez un point de service après-vente agréé.

Frein de stationnement



AVERTISSEMENT: Si le frein de stationnement ne fonctionne pas, la machine peut commencer à se déplacer et occasionner des blessures ou des dégâts. Assurez-vous que le frein de stationnement est régulièrement examiné et réglé.

Reportez-vous à la section *Contrôler les freins à la page 44*.

Silencieux

Le silencieux est conçu pour réduire au maximum le niveau sonore et rejeter les gaz d'échappement loin du conducteur.

N'utilisez pas le produit si le silencieux est manquant ou défectueux. Un silencieux endommagé augmente le niveau sonore et le risque d'incendie.



AVERTISSEMENT: Le silencieux devient très chaud pendant et après utilisation et lorsque le moteur fonctionne au régime de ralenti. Soyez vigilant à proximité des matériaux inflammables et/ou des fumées pour prévenir tout risque d'incendie.

Pour contrôler le silencieux

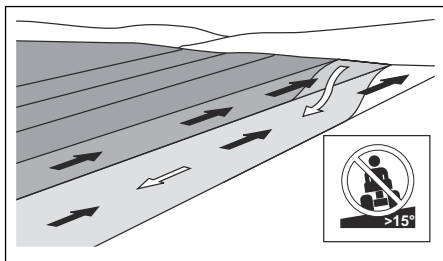
- Examinez le silencieux régulièrement pour s'assurer qu'il est correctement fixé et qu'il n'est pas endommagé.

Pour couper l'herbe sur des terrains en pente



AVERTISSEMENT: Lisez les instructions qui suivent avant d'utiliser le produit.

- La tonte d'herbe sur des terrains en pente accroît le risque que vous perdiez le contrôle du produit et qu'il se retourne. Cela peut provoquer des blessures graves, voire mortelles. Il est nécessaire de tondre l'herbe avec précaution sur les pentes. Si vous ne pouvez pas remonter une pente en marche arrière ou si vous ne vous sentez pas en sécurité, ne procédez pas à la tonte.
- Retirez les obstacles tels que les pierres et les branches.
- Tondez la pente de bas en haut et de haut en bas, et non en travers.
- Ne descendez pas une pente avec le carter de coupe levé.
- Ne faites pas fonctionner la machine sur un sol dont la pente est supérieure à 15°.



- Ne démarrez et n'arrêtez pas la machine en pente.

- Sur un terrain en pente, déplacez la machine lentement et sans à-coups.
- Ne faites pas de changements brusques de vitesse ou de direction.
- Ne tournez pas plus que nécessaire. Tournez lentement et progressivement lorsque vous déplacez la machine le long d'une pente. Déplacez-vous à faible vitesse. Tournez le volant avec précaution.
- Identifiez et ne passez pas avec la machine au-dessus de sillons, de trous ou de bosses. Il y a plus de risque que la machine se retourne lorsque le sol n'est pas plat. L'herbe haute peut cacher des obstacles.
- Ne tondez pas d'herbe à proximité de bordures, de fossés ou de talus. La machine risque de soudainement se renverser si une roue atteint le bord d'une pente raide ou d'un fossé, ou si un bord cède.
- Ne tondez pas d'herbe mouillée. Elle rend le terrain glissant et risque de faire perdre leur adhérence aux pneus et de faire ainsi déraiper la machine.
- Ne mettez pas votre pied au sol pour essayer de rendre la machine plus stable.
- Déplacez la machine avec précaution si un accessoire ou tout autre objet qui pourrait rendre la machine moins stable s'est attaché.

Sécurité carburant



AVERTISSEMENT: lisez les instructions qui suivent avant d'utiliser le produit.

- Le carburant est inflammable et ses vapeurs sont explosives. Faites attention lors de la manipulation du carburant pour éviter tout risque de blessures, d'incendie et d'explosion.
- Ne respirez pas les vapeurs de carburant. Les vapeurs de carburant sont toxiques et peuvent causer des blessures. Assurez-vous que la ventilation est suffisante.
- Ne retirez pas le bouchon du réservoir de carburant et ne remplissez pas le réservoir quand le moteur tourne.
- Assurez-vous que le moteur est froid avant de faire le plein de carburant.
- Ne faites pas le plein de carburant en intérieur. Un débit d'air insuffisant peut causer des blessures graves, voire mortelles, suite à une asphyxie ou à un empoisonnement au monoxyde de carbone.
- Ne fumez pas à proximité du carburant ou du moteur.
- Ne mettez pas d'objets chauds à proximité du carburant ou du moteur.
- Ne faites pas le plein de carburant à proximité d'étincelles ou de flammes.

- Avant de faire le plein, ouvrez le bouchon du réservoir de carburant lentement et relâchez la pression avec précaution.
- La présence de carburant sur la peau peut causer des blessures. Si votre peau entre en contact avec le carburant, lavez les parties qui ont été en contact avec de l'eau et du savon.
- Si vous avez renversé du carburant sur vos vêtements, changez de vêtements immédiatement.
- Ne remplissez pas entièrement le réservoir de carburant. La chaleur entraîne la dilatation du carburant. Laissez un espace en haut du réservoir de carburant.
- Serrez complètement le bouchon du réservoir de carburant. Si le bouchon du réservoir de carburant n'est pas serré, il y a un risque d'incendie.
- Avant de démarrer le produit, éloignez-le d'au moins 3 m/10 pi de l'endroit où vous effectuez l'appoint de carburant.
- Ne démarrez pas le produit si du carburant ou de l'huile moteur ont été renversés sur le produit. Retirez le carburant et l'huile moteur indésirables et laissez sécher le produit avant de démarrer le moteur.
- Vérifiez régulièrement s'il y a des fuites de moteur. S'il y a des fuites dans le système de carburant, ne démarrez pas le moteur jusqu'à ce que les fuites soient réparées.
- N'examinez pas la présence de fuites sur le moteur avec vos doigts.
- Conservez le carburant uniquement dans des récipients homologués.
- Lorsque le produit et le carburant sont stockés, assurez-vous que le carburant et les vapeurs de carburant ne peuvent pas provoquer de dégâts.
- Videz le carburant dans un récipient homologué à l'extérieur et loin de toute étincelle ou flamme.
- Rechargez la batterie dans un espace bien aéré.
- Conservez les matériaux inflammables à une distance minimale de 1 m lorsque vous rechargez la batterie.
- Mettez au rebut les batteries remplacées. Consultez la section *Mise au rebut à la page 76*.
- La batterie est susceptible de dégager des gaz explosifs. Ne fumez pas à proximité de la batterie. Maintenez la batterie à l'écart des flammes nues et des étincelles.

Sécurité de transport

- Utilisez un véhicule de transport homologué pour le transport du produit.
- La législation nationale ou locale des marchés peut imposer des limites au transport du produit.
- Le conducteur du véhicule de transport est tenu de fixer et de sécuriser le produit pendant le transport. Reportez-vous à la section *Transport à la page 75*.

Instructions de sécurité pour l'entretien



AVERTISSEMENT: Le produit est lourd et peut provoquer des blessures ou endommager des biens ou la zone adjacente. N'effectuez pas l'entretien du moteur ou du carter de coupe sans que ces conditions ne soient remplies :

- Le moteur est coupé.
- La machine est garée sur un sol plat.
- Le frein de stationnement est serré.
- La clé de contact est retirée.
- Le carter de coupe est désengagé.
- Les câbles d'allumage sont débranchés des bougies.



AVERTISSEMENT: Les gaz d'échappement du moteur contiennent du monoxyde de carbone, un gaz inodore, toxique et très dangereux. Ne faites pas fonctionner le produit dans des endroits clos ou dans lesquels le débit d'air n'est pas suffisant.



AVERTISSEMENT: Lisez les instructions qui suivent avant d'effectuer l'entretien du produit.

Consignes de sécurité relatives à l'utilisation de la batterie



AVERTISSEMENT: Une batterie endommagée peut exploser et causer des blessures. Si la batterie présente une déformation ou est endommagée, contactez un agent d'entretien Husqvarna agréé.



AVERTISSEMENT: Lisez les instructions qui suivent avant d'utiliser le produit.

- Portez des lunettes de protection lorsque vous êtes à proximité des batteries.
- Ne portez pas de montres, de bijoux ou d'autres objets métalliques à côté de la batterie.
- Conservez la batterie hors de portée des enfants.
- Pour de meilleures performances et des raisons de sécurité, procédez à l'entretien de la machine régulièrement, comme indiqué dans le schéma d'entretien. Reportez-vous à *Calendrier d'entretien à la page 55*.

- Les décharges électriques peuvent causer des blessures. Ne touchez pas les câbles lorsque le moteur tourne. Ne testez pas le fonctionnement du système d'allumage avec vos doigts.
- Ne démarrez pas le moteur si les capots de protection sont retirés. Il existe un risque élevé de blessure en cas de manipulation de pièces en mouvement ou brûlantes.
- Laissez la machine refroidir avant de procéder à des tâches d'entretien à proximité du moteur.
- Les lames sont tranchantes et présentent un risque de coupures. Enroulez des protections autour des lames ou utilisez des gants de protection lorsque vous manipulez les lames.
- Mettez toujours le carter de coupe en position d'entretien pour le nettoyer. Ne garez pas la machine près du bord d'un fossé ou d'une pente pour pouvoir accéder au carter de coupe.



REMARQUE: Lisez les instructions de mise en garde qui suivent avant d'utiliser la machine.

- Ne retournez pas le moteur si la bougie ou le câble d'allumage ont été retirés.
- Assurez-vous que tous les écrous et boulons sont correctement serrés et que l'équipement est en bon état.
- Ne changez pas le réglage des régulateurs. Si la vitesse du moteur est trop élevée, cela peut endommager les composants du produit.
- La machine est homologuée uniquement avec l'équipement fourni ou recommandé par le fabricant.

Montage

Introduction



AVERTISSEMENT: Assurez-vous de lire et de comprendre le chapitre dédié à la sécurité avant de monter l'appareil.

Pour retirer le produit du carton

1. Retirez toutes les pièces détachées fournies avec le produit.
2. Retirez les panneaux de bout.
3. Retirez les panneaux latéraux et placez-les sur une surface plane.
4. Retirez tous les matériaux d'emballage.
5. Retirez le produit du carton et assurez-vous qu'aucune pièce détachée ne reste dans le carton.

Outils d'assemblage

- Clé de 13 mm (1/2")
- Clés de 11 mm (7/16") (2)
- Jauge de pression des pneus
- Couteau
- Pince
- Jeu de clés à douille (en option)

Pièces détachées nécessitant un assemblage

Le produit n'est pas entièrement assemblé. Les pièces suivantes sont fournies détachées à l'achat du produit.



Clé (2)



Guide d'inclinaison des pentes (1)



Boulon hexagonal (2)



Écrous (2)



Adaptateur de buse (1)

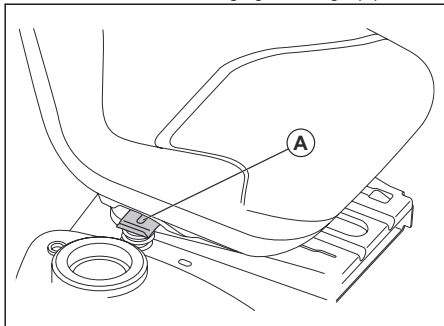


Tuyau de vidange d'huile (1)

Pour ajuster le siège

1. Asseyez-vous sur le siège.

2. Soulevez le levier de réglage du siège (A).



3. Déplacez le siège jusqu'à ce que vous puissiez enfoncer les pédales de frein et d'embrayage.
4. Relâchez le levier de réglage du siège (A) pour bloquer le siège en position.

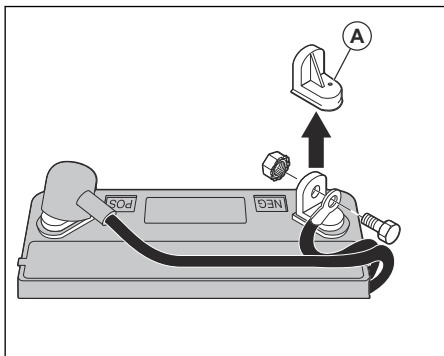
Brancher la batterie



AVERTISSEMENT: risque de choc électrique et de brûlures graves. N'utilisez pas de bracelets en métal ou d'autres accessoires en métal. Les objets métalliques qui entrent en contact avec les bornes de la batterie peuvent provoquer des brûlures, un choc électrique et un court-circuit de la batterie.

Remarque: si l'année et le mois inscrits sur l'étiquette de la batterie sont passés, chargez la batterie. Chargez la batterie à 6-10 A pendant une heure minimum.

1. Trouvez l'emplacement de la batterie en dessous du siège ou sous le capot.
2. Soulevez l'assise du siège ou le capot en position relevée.
3. Déposez les deux caches de borne (A) et mettez-les au rebut.



4. Branchez le câble de batterie rouge sur la borne positive (+) et serrez le boulon et l'écrou comme illustré. Placez le cache de borne sur la borne.



AVERTISSEMENT: Risque d'étincelles. Le câble rouge de la batterie doit être connecté à la borne positive avant que le câble noir de la batterie ne soit connecté à la borne négative. Cela permet d'éviter les étincelles et la mise à la terre accidentelle.

5. Branchez le câble noir sur la borne négative (-) et serrez complètement le boulon et l'écrou.
6. Appliquez de la vaseline sur les câbles de batterie pour éviter leur corrosion.
7. Abaissez l'assise du siège ou le capot.

Extraire la machine de la plateforme

1. Soulevez l'unité de coupe à sa hauteur maximale. Utilisez le levier de levage.
2. Appuyez sur la pédale de frein/d'embrayage pour relâcher le frein de stationnement.
3. Placez la commande roue libre en position « Transmission désengagée », voir section *Transport, entreposage et mise au rebut* à la page 75.
4. Poussez le produit vers l'avant, hors de la plateforme.
5. Retirez la sangle qui maintient la protection du déflecteur contre le produit.

Contrôler après le montage

- Vérifiez que toutes les instructions de montage ont bien été suivies.
- Assurez-vous qu'il ne reste aucune pièce détachée dans l'emballage.
- Assurez-vous que la batterie est prête à l'emploi et correctement chargée.
- Assurez-vous que les boulons du siège sont serrés et que le siège est réglé correctement.
- Assurez-vous que les pneus sont bien gonflés.
- Pour obtenir de meilleurs résultats de coupe, assurez-vous que le carter de coupe est équilibré de manière latérale et longitudinale. Assurez-vous que les pneus sont correctement gonflés pour assurer le bon équilibre du carter de coupe.
- Examinez le carter de coupe et les courroies d'entraînement. Assurez-vous que les courroies d'entraînement sont correctement installées autour des poulies et dans la partie intérieure de tous les guides de courroie.
- Examinez les fils électriques. Assurez-vous que tous les fils et toutes les connexions sont sûrs.
- Assurez-vous que la commande roue libre est en position « Transmission engagée ». Reportez-vous à la section *Transport* à la page 75.

- Assurez-vous que le niveau d'huile moteur est correct.
- Assurez-vous que le réservoir est rempli avec le bon type de carburant.
- Assurez-vous de connaître l'emplacement et la fonction de toutes les commandes.
- Assurez-vous que le système de freinage est dans un état de fonctionnement sûr.
- Assurez-vous que le système de présence de l'utilisateur (OPC) et le système de sécurité marche arrière (ROS) fonctionnent correctement. Reportez-vous à *Pour vérifier le contrôle de présence de l'utilisateur (OPC) à la page 44* et *Pour vérifier le système de sécurité marche arrière (ROS) à la page 44*.
- Évacuez l'air de la transmission avant la première utilisation. Reportez-vous à la section *Évacuer l'air de la transmission à la page 67*.

Utilisation

Introduction



AVERTISSEMENT: Assurez-vous de lire et de comprendre le chapitre dédié à la sécurité avant d'utiliser l'appareil.

Pour remplir le réservoir de carburant



AVERTISSEMENT: l'essence est très inflammable. Faites l'appoint en carburant avec prudence à l'extérieur. Reportez-vous à la section *Sécurité carburant à la page 45*.



REMARQUE: Utilisez toujours le type de carburant approprié. L'utilisation d'un carburant inapproprié endommage le produit.

- Utilisez le bon type d'essence. Reportez-vous à la section *Caractéristiques techniques à la page 76*. Pour plus d'informations sur le carburant, reportez-vous au manuel du moteur fourni par le fabricant du moteur.
- Contrôlez le niveau de carburant avant chaque utilisation et faites le plein si nécessaire.
- Ne remplissez pas complètement le réservoir de carburant. Laissez un espace minimum de 1 po.

Pour démarrer le produit

Avant de démarrer le produit

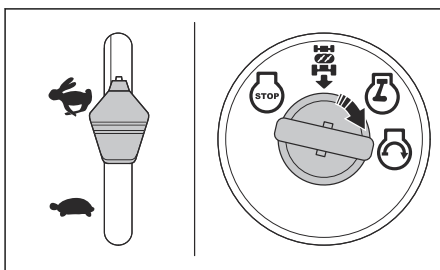


AVERTISSEMENT: avant d'utiliser la machine, veillez à bien lire et comprendre les instructions de sécurité et les instructions d'utilisation.

1. Contrôlez le niveau d'huile moteur. Reportez-vous à la section *Pour contrôler le niveau d'huile moteur à la page 65*.
2. Remplissez le réservoir de carburant. Reportez-vous à la section *Pour remplir le réservoir de carburant à la page 49*.

3. Désengagez le mode roue libre. Reportez-vous à la section *Pour mettre la tondeuse en mode roue libre à la page 53*.
4. Asseyez-vous sur le siège en position d'utilisation.
5. Enclencher le frein de stationnement. Reportez-vous à la section *Pour engager et désengager le frein de stationnement à la page 51*.
6. Assurez-vous que le carter de coupe est désengagé. Reportez-vous à la section *Pour engager et désengager le carter de coupe à la page 52*.

Pour démarrer un moteur chaud



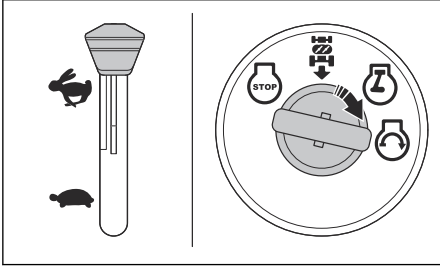
1. Asseyez-vous sur le siège.
2. Assurez-vous que le carter de coupe est désengagé. Reportez-vous à la section *Pour engager et désengager le carter de coupe à la page 52*.
3. Mettez le carter de coupe en position de transport. Reportez-vous à la section *Pour régler le carter de coupe en position de transport ou de tonte à la page 51*.
4. Placez la commande d'accélération en position rapide.
5. Enfoncez complètement la pédale de frein et maintenez-la enfoncée.
6. Mettez la clé de contact dans le contact.
7. Tournez la clé de contact sur la position « START » et relâchez-la lorsque le moteur démarre.



REMARQUE: ne faites pas tourner le démarreur en continu pendant plus de 15 secondes par tranche d'une minute.

- Si la température est basse, laissez le moteur chauffer avant de commencer à couper l'herbe.

Pour démarrer un moteur froid



- Asseyez-vous sur le siège.
- Assurez-vous que le carter de coupe est désengagé. Reportez-vous à la section *Pour engager et désengager le carter de coupe à la page 52*.
- Mettez le carter de coupe en position de transport. Reportez-vous à la section *Pour régler le carter de coupe en position de transport ou de tonte à la page 51*.
- Placez la commande d'accélération en position de starter.
- Enfoncez complètement la pédale de frein et maintenez-la enfoncée.
- Mettez la clé de contact dans le contact.
- Tournez la clé de contact sur la position « START » et relâchez-la lorsque le moteur démarre.



REMARQUE: ne faites pas tourner le démarreur en continu pendant plus de 15 secondes par tranche d'une minute.

- Lorsque le moteur démarre, placez la commande d'accélération en position rapide (D) pour faire chauffer le moteur. Si la température est basse, quelques minutes sont nécessaires pour que le moteur chauffe.



REMARQUE: si la température ambiante est inférieure à 4 °C (40 °F), vous devez laisser le moteur tourner au ralenti pendant 1 minute avant d'utiliser la tondeuse. Cela permet à la transmission de chauffer. Assurez-vous que le levier de commande de direction est au point mort et que la pédale de frein est complètement relâchée.

Pour préchauffer la transmission par temps froid

Remarque: avant d'utiliser le produit par temps froid, faites préchauffer la transmission.

- Stationnez la machine sur une surface de niveau.
- Relâchez le frein de stationnement et laissez la pédale de frein remonter lentement.
- Laissez chauffer la transmission pendant une minute. Cette action peut être effectuée pendant la période de préchauffage du moteur.
- Une fois que la transmission est chaude, l'équipement attelé peut être utilisé pendant la période de préchauffage du moteur. Pour cela, il peut être nécessaire de retirer le starter d'un petit palier.

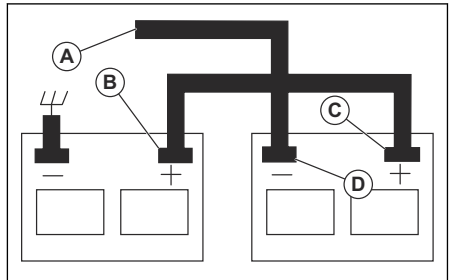
Démarrer le moteur lorsque la batterie est faible



AVERTISSEMENT: les batteries plomb-acide peuvent générer des gaz explosifs. Maintenez les batteries à l'écart des étincelles, des flammes et des matériaux émettant de la fumée. Portez toujours des lunettes de protection à proximité de batteries.

Si la batterie est trop faible pour démarrer le moteur, elle doit être rechargée.

Si vous utilisez des câbles de démarrage pour un démarrage d'urgence, procédez comme suit :



- Branchez l'une des extrémités du câble ROUGE sur la borne POSITIVE (+) de chaque batterie (B-C).



REMARQUE: Veillez à ne pas créer un court-circuit avec le châssis de la machine.

- Branchez une extrémité du câble NOIR sur la borne NÉGATIVE (-) (D) d'une batterie complètement chargée.

3. Branchez l'autre extrémité du câble NOIR (A) sur une masse correcte du châssis, à l'écart du réservoir de carburant et de la batterie.

Pour retirer les câbles de démarrage

Remarque: Retirez les câbles de démarrage dans l'ordre inverse de leur branchement.

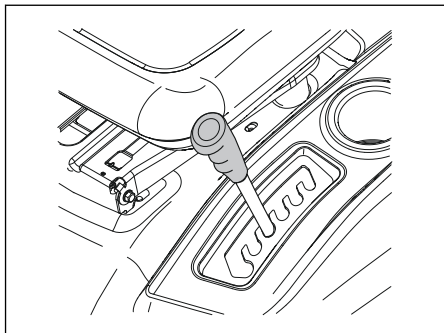
1. Retirez le câble NOIR du châssis.
2. Retirez le câble NOIR de la batterie complètement chargée.
3. Retirez le câble ROUGE des 2 batteries.

Pour régler le carter de coupe en position de transport ou de tonte

Pendant le transport, le carter de coupe doit être en position de transport.

- Pour mettre la tondeuse en position de transport, tirez le levier de hauteur de coupe dans la direction du siège et placez-le dans la position de hauteur de coupe la plus élevée.
- Pour régler la tondeuse en position de tonte, placez le levier à la hauteur de coupe correcte. Reportez-vous à la section *Pour régler la hauteur de coupe à la page 51*.

Pour régler la hauteur de coupe



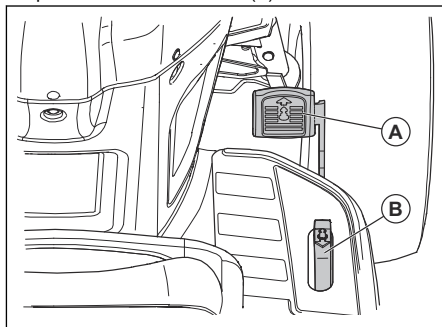
- Tirez le levier de levage dans la direction du siège et placez-le dans l'une des encoches pour obtenir la hauteur de coupe désirée.

Avancer et reculer

La direction et la vitesse du mouvement sont contrôlées par les pédales de marche avant et arrière.

1. Démarrez le moteur.
2. Désengagez le frein de stationnement. Reportez-vous à la section *Pour engager et désengager le frein de stationnement à la page 51*.

3. Pour initier le mouvement, appuyez lentement sur la pédale de marche avant (A) ou sur la pédale de marche arrière (B).

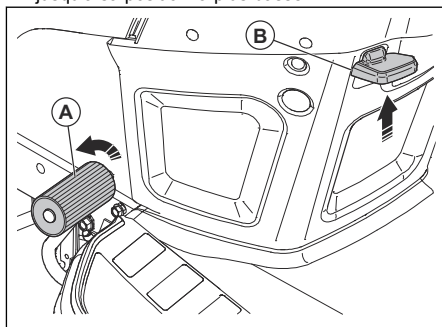


Remarque: les pédales de marche avant et de marche arrière reviennent en position neutre lorsqu'elles ne sont pas enfoncées.

4. Appuyez davantage sur la pédale de marche avant ou la pédale de marche arrière pour augmenter la vitesse.

Pour engager et désengager le frein de stationnement

1. Pour engager le frein de stationnement, enfoncez complètement la pédale de frein (A) jusqu'à sa position la plus basse.



2. Avec la pédale de frein enfoncée, tirez le levier de frein de stationnement (B) vers le haut.
3. Relâchez la pédale de frein.
4. Relâchez le levier de frein de stationnement.

Remarque: assurez-vous que le frein de stationnement retient bien en toute sécurité la tondeuse.

5. Pour relâcher le frein de stationnement, appuyez sur la pédale de frein.

Arrêt du produit

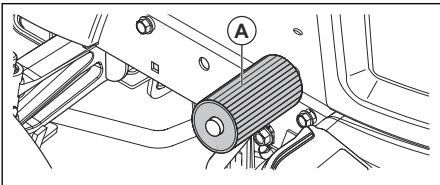


AVERTISSEMENT: arrêtez toujours la tondeuse, enclenchez le frein de stationnement et retirez la clé du contact avant de descendre de la tondeuse.

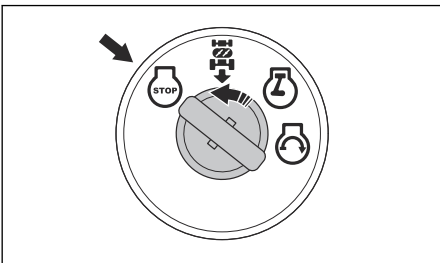


REMARQUE: les gaz d'échappement du moteur chaud peuvent causer des brûlures sur l'herbe. Pour éviter de brûler l'herbe, arrêtez toujours le moteur lorsque vous immobilisez la machine sur la pelouse.

1. Enfoncez complètement la pédale de frein (A) jusqu'à ce que la machine s'arrête complètement.

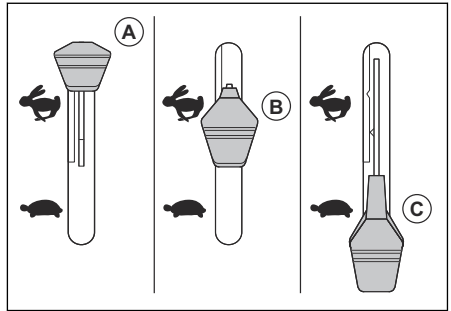


2. Désengagez le carter de coupe. Reportez-vous à la section *Pour engager et désengager le carter de coupe à la page 52.*
3. Placez la commande d'accélération en position lente et laissez le moteur tourner au ralenti pendant quelques minutes.
4. Mettez le carter de coupe en position de transport. Reportez-vous à la section *Pour régler le carter de coupe en position de transport ou de tonte à la page 51.*
5. Tournez la clé de contact sur la position « STOP » et retirez la clé du contact.



Pour utiliser la commande d'accélération

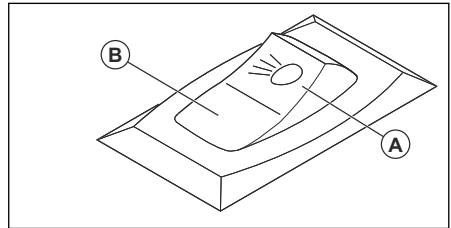
La commande d'accélération règle la vitesse du moteur et la vitesse des lames dans le carter de coupe.



- Placez la commande d'accélération en position de starter (A) lorsque le moteur est froid. Reportez-vous à la section *Pour démarrer un moteur froid à la page 50.*
- Placez la commande d'accélération en position rapide (B) pour faire tourner le moteur à plein régime. Placez toujours la commande d'accélération en position rapide lorsque vous coupez l'herbe.
- Placez la commande d'accélération en position lente (C) pour faire tourner le moteur au ralenti.

Utiliser les phares

- Mettez l'interrupteur d'alimentation en position (A) pour allumer les phares.



- Mettez l'interrupteur d'alimentation en position (B) pour éteindre les phares.

Pour engager et désengager le carter de coupe

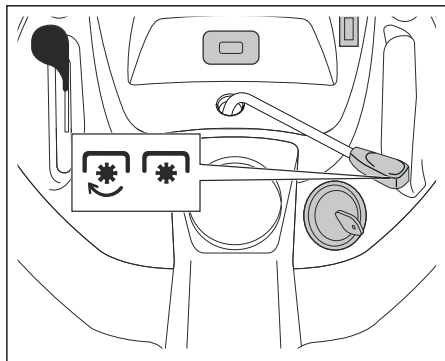


AVERTISSEMENT: n'utilisez pas le carter de coupe sans qu'un déflecteur ou un collecteur d'herbe soit installé sur l'évacuation de l'herbe.

La machine dispose d'un contrôle de présence de l'utilisateur (OPC). Lorsque vous quittez le siège alors que le moteur est en marche et que le carter de coupe est engagé, le moteur s'arrête.

Restez bien assis au centre du siège pour vous assurer que le moteur fonctionne correctement et qu'il ne s'arrête pas en cas de terrain accidenté ou de pente.

1. Réglez la hauteur de coupe adaptée. Reportez-vous à la section *Pour régler la hauteur de coupe à la page 51*.
2. Déplacez la commande d'embrayage de l'accessoire vers l'avant pour engager le carter de coupe.



- a) Déplacez la commande d'embrayage de l'accessoire vers l'avant pour engager le carter de coupe.
- b) Déplacez la commande d'embrayage de l'accessoire vers l'arrière pour désengager le carter de coupe.

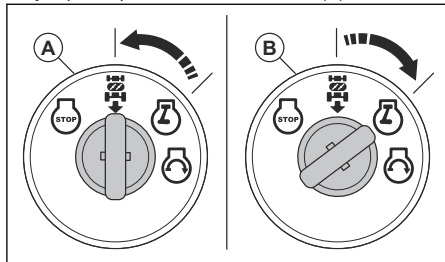
Pour utiliser le système de sécurité marche arrière (ROS)

Remarque: si vous essayez de reculer la tondeuse lorsque le carter de coupe est engagé, le moteur s'arrête immédiatement. Engagez le ROS pour reculer avec la tondeuse lorsque le carter de coupe est engagé.



AVERTISSEMENT: avant et pendant que vous utilisez la tondeuse en marche arrière, regardez vers le bas et derrière la tondeuse pour vous assurer de la sécurité des personnes alentours.

1. Pour engager le ROS, tournez la clé de contact dans le sens contraire des aiguilles d'une montre jusqu'à la position ROS « activé » (A).

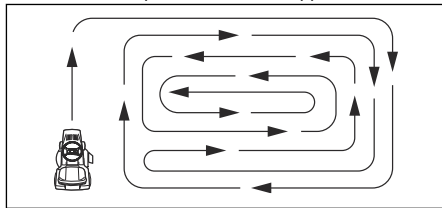


2. Appuyez lentement sur la pédale de marche arrière pour initier le mouvement.

3. Pour désengager le ROS, tournez la clé de contact dans le sens des aiguilles d'une montre jusqu'à la position moteur « activé » (B).

Pour obtenir de bons résultats de tonte

- Pour des performances optimales, procédez régulièrement à l'entretien du produit, comme indiqué dans le schéma d'entretien. Reportez-vous à la section *Calendrier d'entretien à la page 55*.
- Ne tondez pas la pelouse lorsqu'elle est mouillée. L'herbe humide peut nuire à la qualité de la tonte.
- N'utilisez pas de chaînes à neige pour fixer le carter de coupe sur la machine.
- Assurez-vous que le carter de coupe est à niveau. Reportez-vous à la section *Pour régler le parallélisme du carter de coupe à la page 61*.
- Si l'herbe est haute, commencez avec une hauteur de coupe élevée et abaissez-la progressivement.
- Faites avancer la machine à faible vitesse si l'herbe est haute et épaisse.
- Faites tourner le moteur à plein régime lorsque vous coupez l'herbe.
- Coupez l'herbe selon un parcours aléatoire.
- Utilisez le côté gauche du carter de coupe lorsque vous tondez près d'arbres, de buissons ou de chemins. La lame coupe à environ 15 mm du côté du carter de coupe.
- Lorsque vous coupez de grandes surfaces, déplacez la tondeuse vers la droite pendant 1 ou 2 tours autour de la zone de tonte. Cette procédure permet de maintenir l'évacuation de l'herbe à l'écart des arbustes, des clôtures et des allées. Après environ 2 tours autour de la zone de tonte, coupez dans le sens opposé.



- Pour obtenir un résultat de coupe optimal, coupez l'herbe fréquemment.

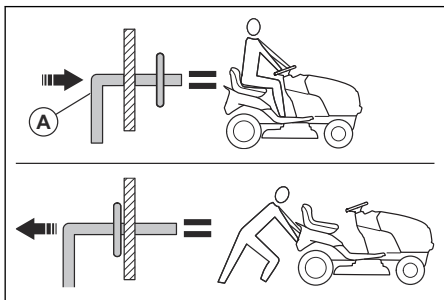
Pour mettre la tondeuse en mode roue libre

S'il est nécessaire de déplacer ou de remorquer la machine sans l'aide du moteur, vous devez mettre la machine en mode roue libre.



AVERTISSEMENT: ne placez pas la machine en mode roue libre dans une pente.

- Poussez le levier roue libre (A) pour mettre la machine en mode roue libre.



- Tirez le levier roue libre pour faire fonctionner la machine avec le moteur.

Installer l'obturateur du broyeur (accessoire)

La tondeuse peut être utilisée avec un obturateur de broyeur.

1. Mettez le carter de coupe en position de transport. Reportez-vous à la section *Pour régler le carter de coupe en position de transport ou de tonte à la page 51*.
2. Retirez le collecteur d'herbe ou le déflecteur d'évacuation arrière (accessoire) s'il est installé.
3. Faites glisser l'obturateur du broyeur sur la plaque arrière dans l'adaptateur de goulotte du carter de coupe.

4. Connectez les 2 sangles aux trous des supports du collecteur d'herbe.
5. Installez le collecteur d'herbe ou le déflecteur d'évacuation arrière.
6. Retirez l'obturateur du broyeur en suivant la procédure en sens inverse.

Installation du collecteur d'herbe (accessoire)

Le produit peut être utilisé avec un collecteur d'herbe.

1. Mettez le carter de coupe en position de transport. Reportez-vous à la section *Pour régler le carter de coupe en position de transport ou de tonte à la page 51*.
2. Retirez le déflecteur d'évacuation arrière (accessoire) ou l'obturateur du broyeur (accessoire) s'il est installé.
3. Faites glisser la goulotte d'évacuation sur la plaque arrière dans l'adaptateur de goulotte du carter de coupe.
4. Installez les 2 écrous papillon.
5. Installez le collecteur d'herbe.
6. Retirez le collecteur d'herbe dans l'ordre inverse.

Entretien

Introduction



AVERTISSEMENT: assurez-vous de lire et de comprendre le chapitre

sur la sécurité avant de procéder à l'entretien du produit.

Calendrier d'entretien

Calendrier d'entretien		Avant chaque utilisation	Toutes les 8 heures	Toutes les 25 heures	Toutes les 50 heures	Toutes les 100 heures	À chaque saison	Avant l'entreposage
Produit	Effectuez un contrôle des freins.	X	X					
	Contrôlez la pression des pneus.	X	X					
	Vérifiez le contrôle de présence de l'utilisateur (OPC).	X						
	Effectuez un contrôle du système de sécurité marche arrière (ROS).	X						
	Vérifiez que les fixations ne sont pas desserrées.	X				X		X
	Examinez les lames pour vérifier l'absence d'usure ou de dommages.			X ²				
	Lubrifiez le produit. Reportez-vous à la section <i>Calendrier de lubrification à la page 56.</i>			X				X
	Contrôlez le niveau de la batterie.			X				
	Nettoyez la batterie et les bornes.			X				X
	Éliminez les débris sur la plaque de direction. Reportez-vous à la section <i>Pour nettoyer le produit à la page 57.</i>			X				
	Vérifiez le ventilateur de refroidissement de la boîte-pont.			X				
	Assurez-vous que le carter de coupe est à niveau.					X		
Contrôlez les courroies trapézoïdales.						X		

²

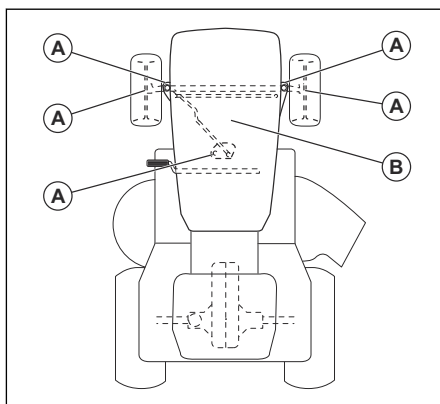
Examinez les lames plus fréquemment si vous coupez là où il y a du sable et de la terre.

Calendrier d'entretien		Avant chaque utilisation	Toutes les 8 heures	Toutes les 25 heures	Toutes les 50 heures	Toutes les 100 heures	À chaque saison	Avant l'entreposage
Moteur	Contrôlez le niveau d'huile moteur.	X	X					
	Remplacez l'huile moteur et le filtre à huile.					X ¹		X
	Nettoyez le filtre à air.			X ³				
	Nettoyez la grille d'aération.			X ³				
	Inspectez le silencieux et le pare-étincelles.				X			
	Remplacez le filtre à huile.					X ¹		
	Nettoyez les ailettes de refroidissement du moteur.					X ³		
	Remplacez la bougie.					X	X	
	Remplacez la cartouche papier du filtre à air.				X ³			
	Remplacez le filtre à carburant						X	

Calendrier de lubrification



REMARQUE: ne lubrifiez pas les points de pivot dotés de paliers en nylon spéciaux. Les lubrifiants collants peuvent fixer la saleté. La saleté réduit la durée de vie des paliers en nylon spéciaux. S'il est nécessaire de lubrifier les paliers en nylon, utilisez uniquement une petite quantité de lubrifiant sec.



A. Lubrification générale. Lubrifiez le raccord de graissage de la broche, le roulement des roues avant, les dents d'engrenage de la pièce de direction.

¹ À faire plus fréquemment si vous utilisez la machine avec une charge lourde, à des températures ambiantes élevées ou dans des conditions qui la salissent.

³ À faire plus fréquemment si vous utilisez la machine dans des conditions qui la salissent.

³ À faire plus fréquemment si vous utilisez la machine dans des conditions qui la salissent.

¹ À faire plus fréquemment si vous utilisez la machine avec une charge lourde, à des températures ambiantes élevées ou dans des conditions qui la salissent.

³ À faire plus fréquemment si vous utilisez la machine dans des conditions qui la salissent.

³ À faire plus fréquemment si vous utilisez la machine dans des conditions qui la salissent.

B. Lubrification du moteur. Reportez-vous à la section *Lubrifier le moteur à la page 64*.

Tracteur

Pour nettoyer le produit

N'utilisez pas un tuyau d'arrosage ou un nettoyeur haute pression pour nettoyer la surface, à l'exception du port de lavage. Veillez à éviter tout contact du moteur et de la transmission avec l'eau. De l'eau dans le moteur ou la transmission peut limiter la durée de vie de la machine. Utilisez de l'air comprimé ou un souffleur de feuilles pour éliminer l'herbe, les feuilles et les débris.

- Éliminez tous les matériaux indésirables du moteur, de la batterie, du siège et des autres pièces de la machine.
- Éliminez toute contamination de la plaque de direction. La contamination limite le mouvement de l'arbre de la pédale de frein/d'embrayage, elle provoque le desserrage de la courroie et elle réduit le mouvement vers l'avant.



REMARQUE: Évitez les points de coincement et les pièces mobiles.

- Veillez à ce que les surfaces et les roues soient exemptes d'essence, d'huile, etc.
- Utilisez une cire de type automobile pour ne pas endommager les surfaces.

Utiliser le port de lavage de l'unité

Le carter de coupe est doté d'un port de lavage qui fait partie du système de nettoyage du carter de coupe.



AVERTISSEMENT: n'utilisez pas la machine si le port de lavage est cassé ou manquant. Il existe un risque de projection d'objets. Remplacez immédiatement tout port de nettoyage cassé ou manquant.

Remarque: pour les modèles équipés de protections, le port de lavage est installé sur la protection gauche, juste devant le pneu arrière.

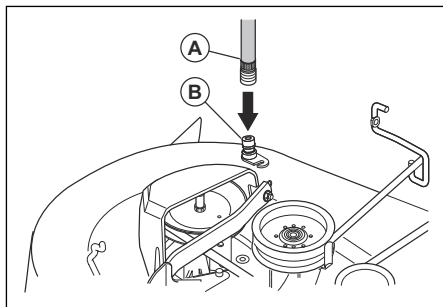
1. Stationnez la tondeuse dans une zone dégagée de votre pelouse, à proximité d'une source d'eau, par exemple un tuyau d'arrosage.



REMARQUE: ne dirigez pas la goulotte d'évacuation de la tondeuse vers des bâtiments ou des véhicules.

2. Assurez-vous que le carter de coupe est désengagé. Reportez-vous à la section *Pour engager et désengager le carter de coupe à la page 52*.

3. Placez la clé de contact en position « STOP » pour arrêter le moteur.
4. Enclencher le frein de stationnement.
5. Retirez la goulotte du collecteur d'herbe ou l'obturateur du broyeur s'il est installé.
6. Vissez l'adaptateur de la buse sur l'extrémité de votre tuyau d'arrosage (A). Vérifiez que le tuyau d'arrosage est bien connecté à l'adaptateur de la buse.



7. Tirez sur le collier de serrage de l'adaptateur de la buse et poussez l'adaptateur de la buse sur le port de nettoyage (B).
8. Tirez délicatement sur le tuyau d'arrosage pour vous assurer qu'il est bien connecté.
9. Remplacez le collier de serrage pour fixer l'adaptateur sur le port de nettoyage.
10. Ouvrez l'alimentation en eau.
11. Asseyez-vous sur le siège et démarrez le moteur.



REMARQUE: examinez à nouveau la zone pour vous assurer qu'elle est dégagée.

12. Placez la commande d'accélération en position rapide. Reportez-vous à la section *Pour utiliser la commande d'accélération à la page 52*.
13. Engagez le carter de coupe et laissez-le fonctionner jusqu'à ce qu'il soit propre. Reportez-vous à la section *Pour engager et désengager le carter de coupe à la page 52*.
14. Désengagez le carter de coupe. Reportez-vous à la section *Pour engager et désengager le carter de coupe à la page 52*.
15. Placez la clé de contact en position « STOP » pour arrêter le moteur.
16. Arrêtez l'alimentation en eau.
17. Tirez sur le collier de serrage de l'adaptateur de la buse et déconnectez l'adaptateur du port de nettoyage.
18. Déplacez la machine vers une zone sèche.
19. Engagez le carter de coupe et laissez-le fonctionner jusqu'à ce qu'il soit sec.

Régler le câble de la commande d'accélération

La commande d'accélération est réglée en usine, un réglage ne devrait donc pas être nécessaire. Si un réglage s'avère nécessaire, consultez le manuel du moteur.

Examiner les verrouillages et les relais

Remarque: du fait de fils desserrés ou endommagés, votre machine peut ne pas fonctionner de manière satisfaisante, cesser de fonctionner ou ne pas démarrer.

- Examinez les fils.

Remplacer l'ampoule de phare

1. Ouvrez le capot du moteur.
2. Tournez légèrement le support d'ampoule dans le sens contraire des aiguilles d'une montre et retirez-le du support derrière la grille.
3. Remplacez l'ampoule sur le support d'ampoule.
4. Poussez le support d'ampoule dans le support situé derrière la grille.
5. Tournez légèrement le support d'ampoule dans le sens des aiguilles d'une montre pour l'installer.
6. Fermez le capot du moteur.

Contrôler les pneus

Remarque: pour boucher les trous des pneus et éviter que les pneus ne soient à plat du fait de fuites lentes, achetez un produit d'étanchéité auprès de votre concessionnaire de pièces local. Le produit d'étanchéité pour les pneus empêche également la pourriture sèche et la corrosion des pneus.

- Assurez-vous que la pression d'air est correcte dans tous les pneus (observez les flancs des pneus pour connaître la pression adéquate).
- Évitez tout contact des pneus avec de l'essence, de l'huile ou des produits chimiques anti-insectes qui peuvent endommager le caoutchouc.
- Évitez tout contact des pneus avec des souches, des pierres, des ornières, des objets pointus et d'autres objets dangereux qui peuvent endommager les pneus.

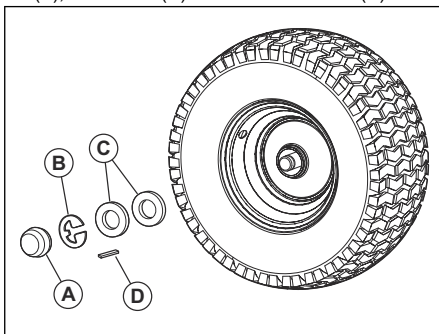
Réparer les pneus

1. Soulevez l'arbre avant et étayez-le en toute sécurité.



REMARQUE: soulevez et étayez un arbre à la fois.

2. Retirez le capuchon pare-poussière (A), le circlip (B), la rondelle (C) et la clavette carrée (D).



Remarque: seules les roues arrière comportent des clavettes carrées.

3. Retirez la roue de l'essieu.
4. Retirez le pneu de la roue.
5. Réparez le pneu.

Remarque: utilisez un enduit étanche pour pneu pour sceller les trous dans le pneu. Le produit d'étanchéité pour les pneus empêche également la pourriture sèche et la corrosion des pneus.

6. Installez le pneu sur la roue.
7. Installez la roue, la rondelle, la clavette carrée et le circlip sur l'essieu. Vérifiez que le circlip est correctement installé dans la gorge de l'essieu.
8. Installez le capuchon pare-poussière.

Examiner les courroies trapézoïdales

Les courroies ne sont pas réglables.

- Examinez les courroies trapézoïdales à la recherche de détériorations et d'usure toutes les 100 heures de fonctionnement.
- Remplacez les courroies trapézoïdales si elles commencent à se déplacer parce qu'elles sont trop usées.

Entretien du ventilateur de refroidissement de la boîte-pont



REMARQUE: ne nettoyez pas le ventilateur ou la transmission lorsque le moteur fonctionne ou lorsque la transmission est chaude.



REMARQUE: N'utilisez pas de nettoyeur haute pression ni de dispositif de lavage à la vapeur. L'eau risque de pénétrer dans les paliers de lames et les raccords électriques et provoquer

leur corrosion, ce qui endommagerait la machine.

Pour maintenir le refroidissement de la transmission, le ventilateur de la transmission et les ailettes de refroidissement doivent rester propres.

- Avant de la nettoyer avec de l'eau, nettoyez-la avec une brosse. Retirez l'herbe coupée et la saleté sur le ventilateur de la boîte-pont et sur les ailettes de refroidissement, ainsi que tout autour.
- Examinez le ventilateur de refroidissement pour vous assurer que les pales du ventilateur sont propres et en bon état.

Examiner le liquide de la pompe de la boîte-pont

- Assurez-vous que le liquide de la pompe de la boîte-pont ne fuit pas.
- Adressez-vous au centre de service autorisé le plus proche en cas de fuite du liquide de la pompe de la boîte-pont.

Ajuster le pincement et l'inclinaison latérale des roues avant

Le pincement et l'inclinaison latérale des roues avant sont correctement réglés en usine. Le pincement et l'inclinaison latérale des roues avant ne peuvent pas être réglés.

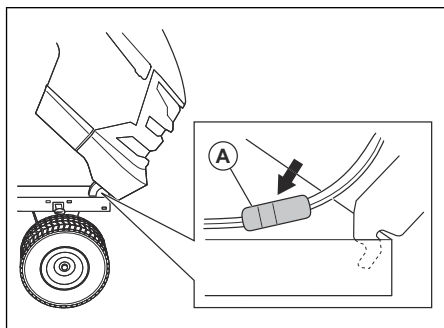
- Adressez-vous à un centre de service autorisé si le pincement ou l'inclinaison latérale des roues avant défini(e) en usine est incorrect(e).

Remplacer le fusible

Le produit est équipé d'un fusible 20 A de type automobile. Le porte-fusible est installé derrière le tableau de bord.

1. Tenez le porte-fusible et retirez le fusible grillé.
2. Placez un nouveau fusible dans le porte-fusible.

Retirer et installer le capot et la grille

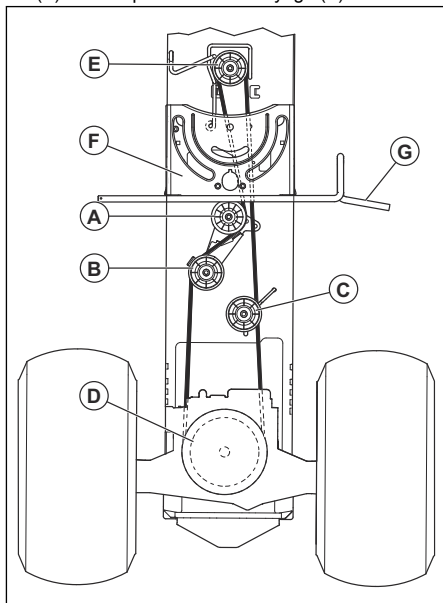


1. Soulevez le capot du moteur.
2. Débranchez le connecteur de câble des phares (A).

3. Restez devant le tracteur. Tenez le capot du moteur sur les côtés. Inclinez le capot du moteur vers le moteur et soulevez-le pour le retirer de la machine.
4. Effectuez l'installation en suivant les étapes dans l'ordre inverse.

Pour remplacer la courroie d'entraînement

1. Garez la machine sur une surface plane et engagez le frein de stationnement. Reportez-vous à la section *Pour engager et désengager le frein de stationnement à la page 51*.
2. Retirez le carter de coupe. Reportez-vous à la section *Retirer et installer le carter de coupe à la page 61*.
3. Retirez la courroie d'entraînement de la poulie (A) et de la poulie de l'embrayage (B).



4. Retirez la courroie d'entraînement de la poulie de tension de la courroie (C).
5. Tirez la courroie d'entraînement vers l'arrière et retirez-la de la poulie d'entrée de la transmission (D), au-dessus des pales du ventilateur de refroidissement.
6. Retirez la courroie d'entraînement de la poulie du moteur (E) sur l'arbre du moteur.
7. Déplacez la courroie d'entraînement vers l'arrière et au-dessus de la plaque de direction (F) pour retirer la courroie d'entraînement du produit.
8. Installez une courroie d'entraînement neuve en suivant les étapes dans l'ordre inverse. Veillez à installer la courroie d'entraînement sur la partie supérieure de la plaque du support de direction (F) et de l'arbre de la pédale de frein/embrayage (G).

Batterie

Maintenance de la batterie

Remarque: la batterie de votre machine est un modèle sans entretien. N'ouvrez pas les bouchons ou les capots, ne les déposez pas non plus.

Remarque: chargez régulièrement la batterie avec un chargeur automobile pour prolonger la durée de vie de la batterie.

- Veillez à ce que la batterie et ses bornes restent propres.
- Assurez-vous que tous les boulons qui maintiennent la batterie et les câbles sont correctement serrés.
- Vérifiez que les petits orifices de ventilation de la batterie sont libres.
- Chargez la batterie à 6-10 A pendant 1 heure.

Nettoyer la batterie et les bornes

La corrosion et la saleté accumulées sur la batterie et les bornes peuvent provoquer une perte de puissance.

1. Retirez le protège-bornes.
2. Débranchez le câble de batterie NOIR.
3. Débranchez le câble de batterie ROUGE et sortez la batterie de la machine.
4. Vaporisez la batterie avec de l'eau et laissez-la sécher.
5. Nettoyez les bornes et les extrémités des câbles de batterie avec une brosse en métal.
6. Lubrifiez les bornes avec de la graisse ou un produit équivalent.
7. Installez la batterie. Reportez-vous à la section *Remplacement de la batterie à la page 60*.

Remplacement de la batterie

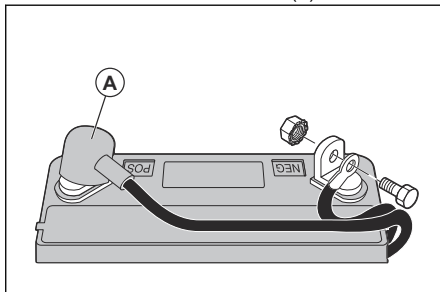
La batterie est installée sous le siège.



AVERTISSEMENT: risque de choc électrique et de brûlures graves. N'utilisez pas de bracelets en métal ou d'autres accessoires en métal. Les objets métalliques qui entrent en contact avec les bornes de la batterie peuvent provoquer des brûlures, un choc électrique et un court-circuit de la batterie.

1. Arrêtez le produit. Reportez-vous à la section *Arrêt du produit à la page 52*.
2. Rabattez le siège vers l'avant.

3. Retirez les caches des bornes (A).



4. Retirez le boulon et l'écrou pour débrancher le câble de batterie noir (négatif) de la borne négative (-).



AVERTISSEMENT: risque de choc électrique et de brûlures graves. Le câble de batterie noir (négatif) doit être débranché avant de débrancher le câble de batterie rouge (positif).

5. Retirez le boulon et l'écrou pour débrancher le câble de batterie rouge (positif) de la borne positive (+).
6. Sortez délicatement la batterie de la machine.
7. Installez une batterie neuve.
8. Branchez le câble de batterie rouge (positif) sur la borne positive (+) et serrez le boulon et l'écrou.



AVERTISSEMENT: risque de choc électrique et de brûlures graves. Le câble rouge (positif) de la batterie doit être connecté à la borne positive (+) avant que le câble noir (négatif) de la batterie ne soit connecté à la borne négative (-) afin d'éviter les blessures et la mise à la terre accidentelle.

9. Branchez le câble de batterie noir (négatif) sur la borne négative (-) et serrez le boulon et l'écrou.
10. Posez les caches des bornes.
11. Basculez le siège vers l'arrière.

Pour connecter les câbles de démarrage

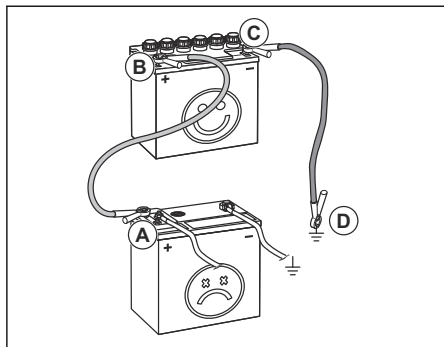


AVERTISSEMENT: Risque d'explosion en raison de gaz explosifs émis par la batterie. Ne branchez pas la borne négative de la batterie chargée sur ou à proximité de la borne négative de la batterie déchargée.



REMARQUE: N'utilisez pas la batterie de votre produit pour démarrer d'autres véhicules.

1. Branchez une extrémité du câble de batterie rouge à la borne de batterie POSITIVE (+) (A) de la batterie faible.



2. Branchez l'autre extrémité du câble rouge à la borne POSITIVE (+) de la batterie complètement chargée (B).



AVERTISSEMENT: Ne laissez pas les extrémités du câble de batterie rouge toucher le châssis. Cela provoquerait un court-circuit.

3. Branchez une extrémité du câble noir de la batterie sur la borne de batterie NÉGATIVE (-) (C) de la batterie chargée.
4. Branchez l'autre extrémité du câble noir de la batterie sur une MASSE DU CHÂSSIS (D), à l'écart du réservoir de carburant et de la batterie.

Pour retirer les câbles de démarrage

Remarque: Retirez les câbles de démarrage dans l'ordre inverse de leur branchement.

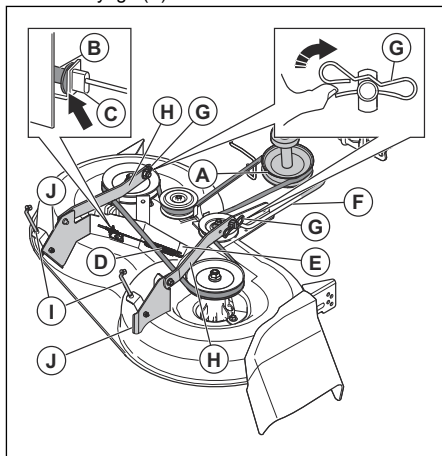
1. Retirez le câble NOIR du châssis.
2. Retirez le câble NOIR de la batterie complètement chargée.
3. Retirez le câble ROUGE des 2 batteries.

Cartier de coupe

Retirer et installer le cartier de coupe

Remarque: si un accessoire autre que le cartier de coupe doit être utilisé, l'attelage avant et les bras de relevage arrière doivent être retirés de la machine. De plus, le ressort du câble de commande d'embrayage doit être placé dans le guide de câble sur le bord avant du tableau de bord inférieur.

1. Désengagez le cartier de coupe. Reportez-vous à la section *Pour engager et désengager le cartier de coupe à la page 52.*
2. Arrêtez le produit. Reportez-vous à la section *Arrêt du produit à la page 52.*
3. Abaissez le cartier de coupe jusqu'à la position la plus basse.
4. Retirez la courroie d'entraînement de la poulie de l'embrayage (A).



5. Déposez le câble de commande d'embrayage (B), poussez sur l'attache (C) et retirez le câble de commande d'embrayage du support.
6. Retirez avec précaution le ressort du câble de commande d'embrayage (D) du bras de renvoi (E).
7. Déconnectez l'attelage avant (F) du cartier de coupe et retirez le ressort de retenue et la rondelle.
8. Retirez les colliers de serrage (G) et déconnectez les bras de suspension (H) des axes du châssis.
9. Déconnectez les bras de relevage arrière (I) des supports arrière du cartier de coupe (J) de chaque côté du cartier de coupe.
10. Retirez le cartier de coupe de la machine.
11. Installez le cartier de coupe dans l'ordre inverse. Assurez-vous que le côté d'évacuation se trouve sur le côté droit de la machine.

Remarque: avant de déplacer le cartier de coupe sous le produit, les bras de suspension doivent être en position avant.

Pour régler le parallélisme du cartier de coupe

Réglage latéral visuel du cartier de coupe

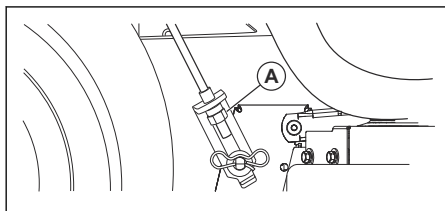
Si la hauteur de coupe n'est pas la même sur les côtés droit et gauche de la machine, la hauteur de

coupe peut être réglée. Réglez la hauteur de coupe sur le côté du carter de coupe qui a la hauteur de coupe la plus basse.

1. Assurez-vous que les pneus sont bien gonflés.
2. Garez le produit sur une surface plane.
3. Allez sur le côté du carter de coupe qui a la hauteur de coupe la plus basse.

Remarque: certains modèles sont uniquement dotés d'un réglage du côté gauche.

4. Réglez la hauteur de coupe à l'aide d'une clé de 3/4".



Remarque: chaque tour complet de l'écrou de réglage permet de modifier la hauteur du carter de coupe de 4,7 mm (3/16 pouce).

- a) Tournez l'écrou de réglage (A) vers la gauche pour abaisser le carter de coupe.
 - b) Tournez l'écrou de réglage (A) vers la droite pour relever le carter de coupe.
5. Coupez un peu d'herbe et examinez les résultats. Réglez si nécessaire.

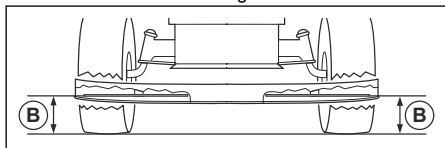
Réglage latéral de précision du carter de coupe

1. Assurez-vous que les pneus sont bien gonflés.
2. Garez le produit sur une surface plane.
3. Mettez le carter de coupe en position de transport. Reportez-vous à la section *Pour régler le carter de coupe en position de transport ou de tonte à la page 51*.
4. Tournez les extrémités extérieures des lames afin de les aligner de manière latérale sur le carter de coupe.



AVERTISSEMENT: les lames du carter de coupe sont affûtées et peuvent causer des blessures. Utilisez des gants de protection.

5. Mesurez la distance (B) entre le bord inférieur de la lame et le sol du côté gauche et du côté droit.

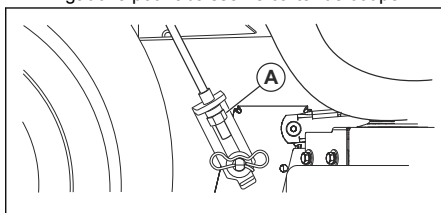


Remarque: cette distance doit être identique des deux côtés.

6. Réglez la hauteur de coupe à l'aide d'une clé de 3/4 pouce.

Remarque: chaque tour complet de l'écrou de réglage permet de modifier la hauteur de coupe de 4,7 mm (3/16 pouce).

- a) Tournez l'écrou de réglage (A) vers la gauche pour abaisser le carter de coupe.



- b) Tournez l'écrou de réglage (A) vers la droite pour relever le carter de coupe.
7. Mesurez à nouveau la distance. Réglez jusqu'à ce que les deux côtés soient égaux.
 8. Coupez un peu d'herbe et examinez les résultats. Réglez si nécessaire.

Réglage de l'avant et de l'arrière du carter de coupe

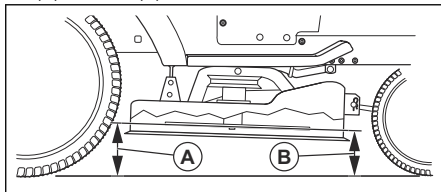
Le carter de coupe doit être au même niveau du côté droit et du côté gauche avant de procéder au réglage de l'avant et de l'arrière. Reportez-vous à la section *Réglage latéral visuel du carter de coupe à la page 61*.

1. Assurez-vous que les pneus sont bien gonflés.
2. Garez le produit sur une surface plane.
3. Mettez le carter de coupe en position de transport. Reportez-vous à la section *Pour régler le carter de coupe en position de transport ou de tonte à la page 51*.
4. Tournez les lames jusqu'à ce qu'elles pointent vers l'avant.



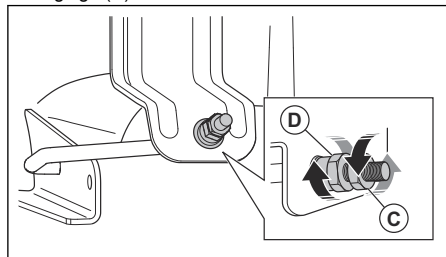
AVERTISSEMENT: les lames du carter de coupe sont affûtées et peuvent causer des blessures. Utilisez des gants de protection.

5. Mesurez la distance au sol à l'extrémité arrière (A) et avant (B) de la lame.



Remarque: pour obtenir les meilleurs résultats de coupe, l'extrémité avant des lames doit être réglée entre 3,1 et 12,7 mm (1/8 et 1/2 pouce) au-dessous de l'extrémité arrière, lorsque le carter de coupe est à sa position la plus élevée.

- Allez à l'avant de la machine pour effectuer un réglage.
- Utilisez une clé de 11/16 pouce pour desserrer le contre-écrou (C) afin de dégager l'écrou de réglage (D).



- Réglez la hauteur du carter de coupe à l'aide d'une clé de 3/4 pouce.

Remarque: chaque tour complet de l'écrou de réglage permet de modifier la hauteur du carter de coupe de 3,1 mm (1/8 pouce).

- Tournez l'écrou de réglage dans le sens contraire des aiguilles d'une montre pour abaisser le carter de coupe.
 - Tournez l'écrou de réglage dans le sens des aiguilles d'une montre pour relever le carter de coupe.
- Mesurez à nouveau la distance entre l'avant et l'arrière.
 - Réglez-la jusqu'à ce que l'extrémité avant de la lame se trouve entre 3,1 mm et 12,7 mm (1/8 pouce et 1/2 pouce) en dessous de l'extrémité arrière.
 - Maintenez l'écrou de réglage en position avec la clé et serrez le contre-écrou.

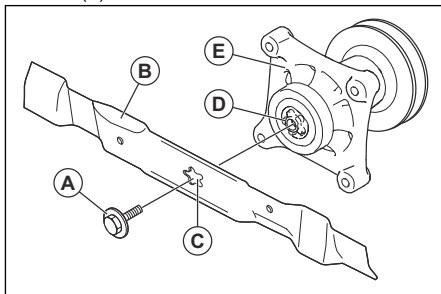
Pour remplacer les lames

Pour obtenir des résultats optimaux, les lames de tondeuse doivent rester affûtées. Remplacez les lames tordues ou endommagées.



REMARQUE: utilisez uniquement une lame de rechange approuvée par le fabricant. Il est dangereux d'utiliser une lame non approuvée par le fabricant de la machine. Cela risque de causer des dommages à la machine et d'annuler votre garantie.

- Mettez le carter de coupe en position de transport. Reportez-vous à la section *Pour régler le carter de coupe en position de transport ou de tonte à la page 51*.
- Retirez le boulon (A) en le tournant dans le sens contraire des aiguilles d'une montre et retirez la lame (B).



AVERTISSEMENT: les lames du carter de coupe sont affûtées et peuvent causer des blessures. Utilisez des gants de protection.

- Installez la lame neuve ou affûtée et le boulon.



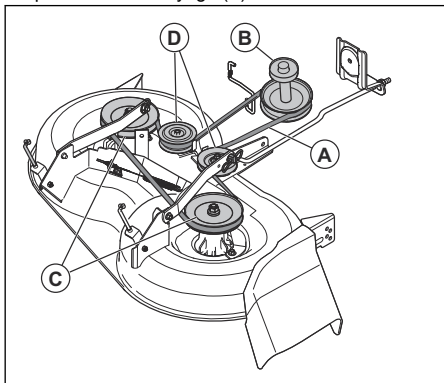
REMARQUE: l'orifice central (C) de la lame doit être aligné sur l'étoile (D) qui se trouve sur le mandrin (E).

- Serrez le boulon au couple de 62-75 Nm (45 - 55 ft-lbs).

Pour retirer la courroie d'entraînement du carter de coupe

- Garez la machine sur une surface plane et engagez le frein de stationnement. Reportez-vous à la section *Pour engager et désengager le frein de stationnement à la page 51*.
- Retirez le carter de coupe. Reportez-vous à la section *Retirer et installer le carter de coupe à la page 61*.
- Retirez la saleté et l'herbe autour des mandrins et sur la surface supérieure du carter de coupe.

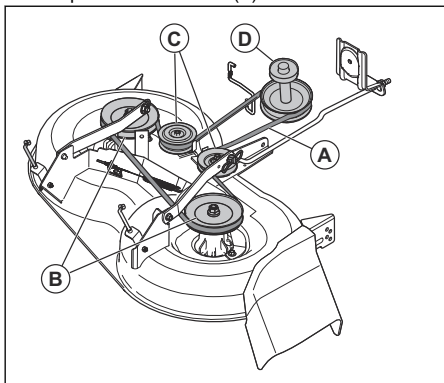
- Retirez la courroie d'entraînement (A) de la poulie de l'embrayage (B) sur l'arbre du moteur.



- Retirez la courroie d'entraînement des poulies du mandrin (C) et des poulies folles (D).

Pour installer la courroie d'entraînement du carter de coupe

- Installez la courroie d'entraînement (A) autour des poulies du mandrin (B).



REMARQUE: placez correctement la courroie d'entraînement dans toutes les gorges des poulies du carter de coupe. La courroie d'entraînement peut être endommagée si elle n'est pas installée correctement.

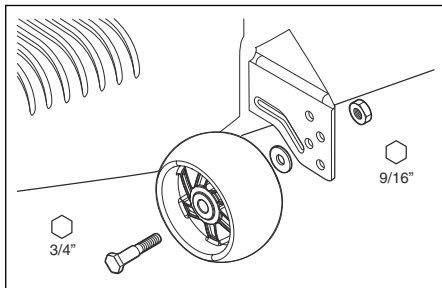
- Installez la courroie d'entraînement autour des poulies folles (C).
- Installez la courroie d'entraînement autour de la poulie de l'embrayage (D) sur l'arbre du moteur.
- Installez le carter de coupe sur le produit. Reportez-vous à la section *Retirer et installer le carter de coupe* à la page 61.

- Mettez le carter de coupe en position de transport. Reportez-vous à la section *Pour régler le carter de coupe en position de transport ou de tonte* à la page 51.

Pour régler les rouleaux anti-arrachement

Les rouleaux anti-arrachement maintiennent le carter de coupe dans la bonne position au sol pour empêcher l'arrachement de la pelouse sur la plupart des terrains. Les rouleaux anti-arrachement sont réglés correctement quand ils sont légèrement au-dessus du sol lorsque le carter de coupe est réglé sur la hauteur de coupe souhaitée.

- Garez le produit sur une surface plane et arrêtez le moteur.
- Réglez la machine à la hauteur de coupe désirée. Reportez-vous à la section *Pour régler la hauteur de coupe* à la page 51.
- Retirez l'écrou, le boulon, la rondelle et le rouleau anti-arrachement.

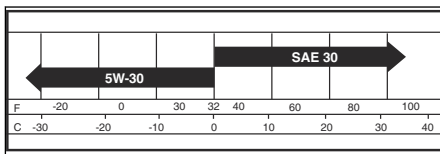


- Installez le rouleau anti-arrachement, le boulon, la rondelle et l'écrou dans la bonne position.
- Réglez tous les rouleaux anti-arrachement et installez-les de la même manière.

Moteur

Lubrifier le moteur

Utilisez uniquement de l'huile détergente de haute qualité conforme aux normes SJ-SN des services API. La qualité SAE de viscosité de l'huile est liée à la température de fonctionnement adéquate.



Remarque: les huiles multi-viscosité (5W30, 10W30, etc.) aident le moteur à démarrer facilement par temps froid, mais elles entraînent une consommation accrue d'huile lorsqu'elles sont utilisées à des températures supérieures à 0 °C/32 °F. Contrôlez fréquemment le niveau d'huile

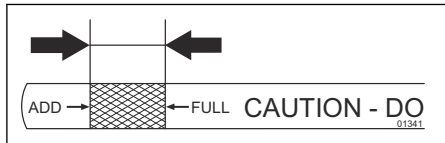
moteur pour éviter qu'un niveau d'huile bas ne risque d'endommager le moteur.

- Changez l'huile toutes les 50 heures de fonctionnement. Si la machine n'est pas utilisée pendant 50 heures sur une année, vidangez l'huile au moins une fois par an.
- Contrôler le niveau d'huile du carter moteur avant de démarrer le moteur et toutes les huit (8) heures de fonctionnement.
- Serrez le bouchon de remplissage d'huile/la jauge à chaque fois que vous contrôlez le niveau d'huile.

Pour contrôler le niveau d'huile moteur

Le moteur dans la machine est rempli d'huile moteur pour des températures ambiantes supérieures à 0 °C (32 °F). Pour une utilisation à des températures ambiantes inférieures à 0 °C (32 °F), utilisez l'huile moteur appropriée pour faciliter le démarrage de la machine. Reportez-vous à la section *Caractéristiques techniques* à la page 76.

1. Garez la machine sur une surface plane.
2. Déposez le bouchon de remplissage et la jauge d'huile, puis nettoyez-la avec un chiffon.
3. Placez la jauge dans le tube de remplissage d'huile. Ne tournez pas le bouchon de remplissage d'huile sur le tube de remplissage d'huile.
4. Enlevez la jauge. Utilisez la jauge située sur la jauge d'huile pour examiner le niveau d'huile moteur. Si nécessaire, faites un appoint d'huile moteur jusqu'à ce que le repère FULL de la jauge soit atteint. N'ajoutez pas trop d'huile moteur.



5. Placez la jauge dans le tube de remplissage d'huile. Assurez-vous que le bouchon de remplissage d'huile est bien serré.

Remarque: Pour remplacer l'huile moteur, reportez-vous à la section *Pour remplacer l'huile moteur* à la page 65.

Pour remplacer l'huile moteur

Si le moteur est froid, faites tourner le moteur pendant 1 à 2 minutes avant de vidanger l'huile moteur. Ainsi, l'huile moteur sera chaude et la vidange sera plus rapide.



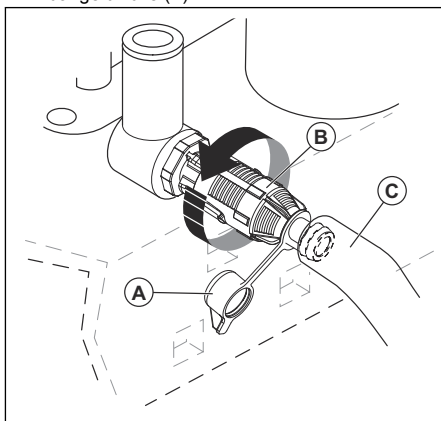
AVERTISSEMENT: Ne faites pas fonctionner le moteur pendant plus de 1 à 2 minutes avant de vidanger l'huile moteur. L'huile moteur devient

très chaude et peut causer des brûlures graves. Laissez le moteur refroidir avant de vidanger l'huile moteur.



AVERTISSEMENT: Utilisez des gants de protection. Si vous renversez de l'huile moteur sur vous, nettoyez avec de l'eau et du savon.

1. Garez le produit sur une surface plane et arrêtez la machine. Reportez-vous à la section *Arrêt du produit* à la page 52.
2. Retirez toute la saleté autour du bouchon du réservoir d'huile.
3. Nettoyez autour du bouchon du réservoir d'huile et de la jauge.
4. Retirez le bouchon jaune (A) du robinet de vidange d'huile (B).



5. Installez le tube de vidange d'huile (C) sur le robinet de vidange d'huile.
6. Placez un récipient sous le moteur pour recueillir l'huile moteur et placez l'autre extrémité du tube de vidange d'huile dans le récipient.
7. Insérez le robinet de vidange d'huile et tournez-le dans le sens contraire des aiguilles d'une montre pour le déverrouiller.
8. Tirez sur le robinet de vidange pour l'ouvrir.
9. Laissez l'huile moteur s'écouler dans le récipient.
10. Insérez le robinet de vidange d'huile et tournez-le dans le sens des aiguilles d'une montre pour le fermer et le verrouiller.
11. Retirez le tube de vidange d'huile.
12. Installez le bouchon jaune.
13. Faites l'appoint en huile neuve via le tube de remplissage d'huile et contrôlez le niveau d'huile moteur. Reportez-vous à la section *Pour contrôler le niveau d'huile moteur* à la page 65.
14. Remplacez le bouchon du réservoir d'huile et la jauge.

Remarque: Pour en savoir plus sur l'élimination de l'huile moteur usagée, reportez-vous à la section *Mise au rebut à la page 76*.

Remplacer le filtre à huile moteur



AVERTISSEMENT: Utilisez des gants de protection. Si vous renversez de l'huile moteur sur vous, nettoyez avec de l'eau et du savon.

1. Vidangez l'huile moteur du réservoir d'huile. Reportez-vous à la section *Pour remplacer l'huile moteur à la page 65*.
 2. Tournez le filtre à huile moteur dans le sens contraire des aiguilles d'une montre pour le retirer.
 3. Lubrifiez légèrement le joint en caoutchouc sur le nouveau filtre à huile avec de l'huile moteur neuve.
 4. Pour installer le nouveau filtre à huile, tournez-le dans le sens des aiguilles d'une montre jusqu'à ce que le joint en caoutchouc soit bien positionné, puis serrez un demi-tour supplémentaire.
 5. Remplissez le réservoir d'huile avec de l'huile moteur neuve. Reportez-vous à la section *Pour remplacer l'huile moteur à la page 65*.
 6. Démarrez le moteur et laissez-le tourner au ralenti pendant 3 minutes.
 7. Coupez le moteur, puis assurez-vous que le filtre à huile ne fuit pas.
-

Remarque: en cas de fuite d'huile, resserrez le filtre à huile.

8. Remplissez le réservoir d'huile avec plus d'huile moteur pour remplacer l'huile moteur absorbée par le nouveau filtre à huile.
-

Pour nettoyer le filtre à air

Le moteur risque de ne pas fonctionner correctement avec un filtre à air sale. Nettoyez le filtre à air plus fréquemment en cas d'utilisation en conditions poussiéreuses.

Nettoyer la grille d'aération

Remarque: veillez à ce que la grille d'aération reste exempte de poussière pour éviter que le moteur ne soit endommagé par une surchauffe.

- Nettoyez la grille d'aération avec une brosse métallique ou de l'air comprimé pour éliminer la saleté.
-

Maintenance du système de refroidissement du moteur

Remarque: une grille à herbe obstruée, des ailettes de refroidissement sales ou colmatées, un carter de souffleur déposé, etc., peuvent entraîner la surchauffe du moteur et l'endommager.

- Assurez-vous que la grille à herbe, les ailettes de refroidissement et les autres surfaces externes du moteur sont toujours propres.
- Toutes les 100 heures de fonctionnement (plus souvent en conditions de poussière et de saleté extrêmes), déposez le carter du souffleur et d'autres parties du système de refroidissement du moteur. Nettoyez les ailettes de refroidissement et les surfaces externes si besoin. Assurez-vous que les pièces du système de refroidissement du moteur sont correctement installées.

Remplacer les bougies

Le type de bougie et l'écart (réglage de l'écartement) sont indiqués dans la section *Caractéristiques techniques à la page 76*.

- Remplacez les bougies au début de chaque saison de tonte ou toutes les 100 heures de fonctionnement.

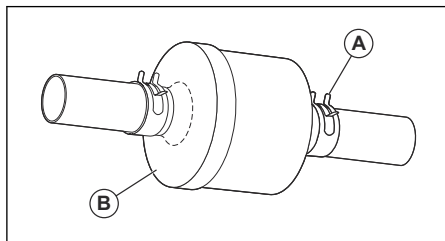
Remplacer le filtre de conduite de carburant

Remarque: remplacez le filtre de conduite de carburant tous les ans au minimum.

Remplacez le filtre de conduite s'il est bouché et interrompt le flux de carburant vers le carburateur.

1. Laissez refroidir le moteur.
 2. Déposez le filtre de conduite de carburant (B) et scellez les sections de la conduite de carburant à l'aide de bouchons.
 3. Mettez le nouveau filtre de conduite de carburant en place dans la conduite de carburant, avec la flèche orientée vers le carburateur.
 4. Assurez-vous de l'absence de fuites au niveau des conduites de carburant et du positionnement correct des colliers (A).
-

5. En cas de déversement, nettoyez immédiatement la machine.



Évacuer l'air de la transmission



REMARQUE: N'engagez pas ou ne désengagez pas le levier de débrayage lorsque le moteur fonctionne.

Pour maintenir des performances élevées, évacuez l'air de la transmission avant d'utiliser la machine pour la première fois.

Si vous remplacez la transmission, éliminez l'air de la transmission neuve avant d'utiliser le produit.

1. Stationnez le produit sur une surface plane et dégagée.
2. Arrêtez le moteur et appliquez le frein de stationnement.
3. Placez la commande de débrayage en position désengagée. Reportez-vous à la section *Transport à la page 75*.

4. Démarrez le moteur. Une fois que le moteur a démarré, déplacez la commande d'accélération en position lente, puis désengagez le frein de stationnement.
5. Effectuez les étapes suivantes 3 fois.

Remarque: au cours de cette procédure, les roues d'entraînement peuvent présenter un mouvement.

- a) Appuyez à fond sur la pédale de marche avant et maintenez-la enfoncée pendant 5 secondes avant de la relâcher.
 - b) Appuyez à fond sur la pédale de marche arrière et maintenez-la enfoncée pendant 5 secondes avant de la relâcher.
6. Arrêtez le moteur et appliquez le frein de stationnement.
 7. Placez la commande de débrayage en position engagée. Reportez-vous à la section *Transport à la page 75*.
 8. Asseyez-vous sur le siège et démarrez le moteur. Dès que le moteur démarre, placez la commande d'accélération en position de semi-régime.
 9. Désengagez le frein de stationnement.
 10. Faites avancer la machine sur une distance de 5 pieds (1,5 m) environ, puis faites-la reculer de 5 pieds (1,5 m). Répétez cette procédure 3 fois.

Dépannage

Problème	Causes	Action
Le moteur ne démarre pas.	Le réservoir de carburant ne contient pas de carburant.	Remplissez le réservoir de carburant.
	La commande d'accélération n'est pas dans la bonne position.	Reportez-vous aux instructions de démarrage.
	La bougie d'allumage est endommagée.	Remplacez la bougie.
	Le filtre à air est sale.	Nettoyez ou remplacez le filtre à air.
	Le filtre à carburant est bouché.	Remplacez le filtre à carburant.
	De l'eau est présente dans le carburant.	Videz tout le contenu du réservoir de carburant et du carburateur. Remplissez le réservoir de carburant avec du carburant neuf et remplacez le filtre à carburant.
	Les câbles sont desserrés ou endommagés.	Contrôlez tous les fils.
	Les soupapes du moteur ne sont pas réglées correctement.	Contactez un agent d'entretien agréé.
	Le moteur est noyé.	Attendez 2-3 minutes avant d'essayer de redémarrer le moteur.
	Le carburant dans le réservoir de carburant est incorrect.	Remplacez le carburant du réservoir de carburant.

Problème	Causes	Action
Le démarreur ne fait pas démarrer le moteur.	La batterie est trop faible.	Rechargez la batterie.
	La commande d'embrayage de l'accessoire est engagée.	Désengagez la commande d'embrayage de l'accessoire.
	La pédale d'embrayage/de frein n'est pas complètement enfoncée.	Enfoncez complètement la pédale d'embrayage/de frein lors du démarrage du moteur.
	La connexion au niveau des connecteurs de câbles sur les bornes de la batterie est mauvaise.	Contrôlez les branchements de la batterie.
	Le fusible principal est endommagé.	Remplacez le fusible principal.
	La serrure de contact est endommagée.	Contactez un agent d'entretien agréé.
	Le connecteur de sécurité de la pédale d'embrayage/de frein est endommagé.	Contactez un agent d'entretien agréé.
	Le démarreur ou le solénoïde est endommagé.	Contactez un agent d'entretien agréé.
	Le contrôle de présence de l'utilisateur (OPC) ne fonctionne pas correctement.	Vérifiez les câbles, les contacteurs et les connexions. En l'absence de correction, contactez un agent d'entretien agréé. N'utilisez pas un produit dont le contrôle de présence de l'utilisateur ne fonctionne pas correctement.

Problème	Causes	Action
Le moteur ne tourne pas correctement.	La bougie d'allumage est endommagée.	Remplacez la bougie.
	Le carburateur n'est pas réglé correctement.	Contactez un agent d'entretien agréé.
	Le filtre à air est sale.	Nettoyez ou remplacez le filtre à air.
	Le clapet anti-retour sur le bouchon du réservoir de carburant est endommagé.	Remplacez le bouchon du réservoir de carburant.
	Le réservoir de carburant est presque vide.	Remplissez le réservoir de carburant.
	De l'eau est présente dans le carburant.	Videz tout le contenu du réservoir de carburant et du carburateur. Remplissez le réservoir de carburant avec du carburant neuf et remplacez le filtre à carburant.
	Le starter est engagé et le moteur est chaud.	Désengagez le starter.
	Le mélange de carburant ou le type de carburant est incorrect.	Videz tout le contenu du réservoir de carburant et du carburateur. Remplissez le réservoir de carburant avec le mélange de carburant adéquat ou avec le bon type de carburant.
	Le filtre à carburant est bouché.	Remplacez le filtre à carburant.
	La bougie d'allumage est endommagée.	Remplacez la bougie.
	Il y a des saletés dans le carburateur ou dans la durite de carburant.	Nettoyez le carburateur et les durites de carburant.
Le moteur devient trop chaud.	Il y a une surcharge dans le moteur.	Réduisez la charge de travail.
	La prise d'air ou les ailettes de refroidissement du moteur sont bouchées.	Nettoyez les prises d'air et les ailettes de refroidissement du moteur.
	Le ventilateur de refroidissement est endommagé.	Contactez un agent d'entretien agréé.
	Le niveau d'huile moteur est trop bas.	Contrôlez le niveau d'huile moteur. Faites le plein d'huile moteur si nécessaire.
	La serrure de contact est endommagée.	Contactez un agent d'entretien agréé.
	La bougie d'allumage est endommagée.	Remplacez la bougie.

Problème	Causes	Action
Il y a une perte de puissance.	La machine fonctionne à une vitesse trop élevée en marche avant ou en marche arrière lorsque vous coupez de l'herbe.	Utilisez une vitesse plus faible.
	La commande d'accélération est en position de starter.	Placez la commande d'accélération en position rapide.
	Il y a une accumulation d'herbe, de feuilles ou de matériau indésirable sous le carter de coupe.	Nettoyez le carter de coupe.
	Le filtre à air est sale.	Nettoyez ou remplacez le filtre à air.
	Le niveau d'huile moteur est trop bas.	Contrôlez le niveau d'huile moteur. Faites le plein d'huile moteur si nécessaire.
	L'huile moteur est sale.	Changez l'huile moteur.
	La bougie d'allumage est endommagée.	Remplacez la bougie.
	Le filtre à carburant est sale.	Remplacez le filtre à carburant.
	Le carburant dans le réservoir de carburant est incorrect.	Remplacez le carburant du réservoir de carburant.
	De l'eau est présente dans le carburant.	Videz tout le contenu du réservoir de carburant et du carburateur. Remplissez le réservoir de carburant avec du carburant neuf et remplacez le filtre à carburant.
	Le fil de la bougie d'allumage est desserré.	Connectez et serrez le fil de la bougie.
	La prise d'air ou les ailettes de refroidissement du moteur sont bouchées.	Nettoyez les prises d'air et les ailettes de refroidissement du moteur.
	Le silencieux est bouché ou endommagé.	Nettoyez ou remplacez le silencieux.
	Le câblage est desserré ou endommagé.	Contrôlez tous les câbles.
Les soupapes du moteur ne sont pas réglées correctement.	Contactez un agent d'entretien agréé.	
Il y a des vibrations dans le produit.	Les lames ont du jeu.	Serrez les boulons sur les lames.
	Une ou plusieurs lames sont endommagées ou déséquilibrées.	Équilibrez les lames ou remplacez-les.
	Le moteur est desserré.	Serrez les boulons du moteur.

Problème	Causes	Action
La batterie ne se charge pas.	Le fusible principal est endommagé.	Remplacez le fusible principal.
	La batterie est endommagée.	Remplacez la batterie.
	Le câble de charge est déconnecté.	Branchez le câble de charge.
	La connexion au niveau des connecteurs de câbles sur les bornes de la batterie est mauvaise.	Contrôlez les branchements de la batterie.
Le moteur fonctionne lorsque l'opérateur se lève du siège alors que le carter de coupe est engagé.	Le contrôle de présence de l'utilisateur (OPC) ne fonctionne pas correctement.	Vérifiez les câbles, les contacteurs et les connexions. En l'absence de correction, contactez un agent d'entretien agréé. N'utilisez pas un produit dont le contrôle de présence de l'utilisateur ne fonctionne pas correctement.
Les lames ne tournent pas.	Le mécanisme d'embrayage est obstrué.	Retirez l'obstruction.
	La courroie d'entraînement du carter de coupe est usée ou endommagée.	Remplacez la courroie d'entraînement du carter de coupe.
	Une poulie folle est gelée.	Remplacez la poulie folle.
	Un mandrin de lame est gelé.	Remplacez le mandrin de la lame.

Problème	Causes	Action
Évacuation de l'herbe endommagée.	La vitesse du moteur est trop faible.	Placez la commande d'accélération en position rapide.
	La machine est utilisée à une vitesse trop élevée en marche avant et en marche arrière.	Utilisez une vitesse plus faible.
	L'herbe est humide.	Laissez l'herbe sécher avant de la couper.
	Le carter de coupe n'est pas parallèle.	Réglez le parallélisme du carter de coupe. Reportez-vous à la section <i>Pour régler le parallélisme du carter de coupe à la page 61.</i>
	La pression des pneus est incorrecte.	Contrôlez la pression des pneus. Réglez la pression des pneus si nécessaire.
	Les lames sont usées, endommagées ou desserrées.	Remplacez les lames ou serrez les boulons sur les lames.
	Accumulation d'herbe ou de saleté sous le carter de coupe.	Nettoyez le carter de coupe.
	La courroie d'entraînement du carter de coupe est usée ou endommagée.	Remplacez la courroie d'entraînement du carter de coupe.
	Les lames sont mal installées.	Installez les lames avec le bord tranchant vers le bas.
	Utilisation de lames inadaptées.	Remplacez les lames par les lames appropriées mentionnées dans le manuel des pièces.
	Les orifices de ventilation du carter de coupe sont obstrués par l'accumulation d'herbe ou de saleté autour des mandrins.	Nettoyez autour des mandrins pour libérer les orifices de ventilation.
Les phares ne fonctionnent pas.	L'interrupteur des phares est en position OFF.	Mettez l'interrupteur des phares en position ON.
	L'ampoule est endommagée.	Remplacez l'ampoule d'éclairage.
	L'interrupteur des phares est endommagé.	Remplacez l'interrupteur des phares.
	Le câble des phares n'est pas connecté.	Vérifiez les câbles et les connexions.
	Il y a un court-circuit dans le câble des phares.	Contactez un agent d'entretien agréé.

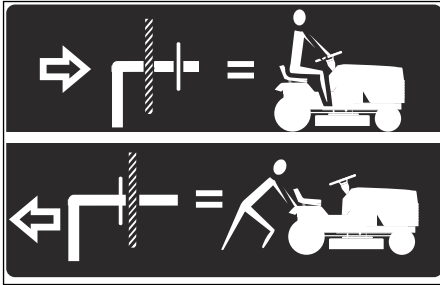
Problème	Causes	Action
La machine se déplace lentement, à une vitesse irrégulière ou pas du tout.	La machine est en mode roue libre.	Tirez le levier roue libre. Reportez-vous à la section <i>Pour mettre la tondeuse en mode roue libre à la page 53.</i>
	le frein de stationnement est serré ;	Désengagez le frein de stationnement.
	La courroie d'entraînement est desserrée ou endommagée.	Remplacez la courroie d'entraînement.
	Il y a de l'air dans la transmission.	Évacuez l'air de la transmission. Reportez-vous à la section <i>Évacuer l'air de la transmission à la page 67.</i>
	Il y a des matériaux indésirables sur la plaque de direction (si la plaque de direction est installée).	Nettoyez le produit.
	La clavette carrée sur l'essieu est manquante.	Installez la clavette carrée. Reportez-vous à la section <i>Réparer les pneus à la page 58.</i>
Le résultat de la tonte n'est pas satisfaisant.	Les lames sont émoussées ou endommagées.	Affûtez les lames ou remplacez-les.
	Le carter de coupe n'est pas parallèle.	Réglez le parallélisme du carter de coupe. Reportez-vous à la section <i>Pour régler le parallélisme du carter de coupe à la page 61.</i>
	L'herbe est humide.	Laissez l'herbe sécher avant de la couper.
	L'herbe est haute.	Commencez avec une hauteur de coupe élevée et abaissez-la progressivement.
	La pression des pneus est incorrecte.	Contrôlez la pression des pneus. Réglez la pression des pneus si nécessaire.
	La machine est utilisée à une vitesse trop élevée en marche avant et en marche arrière.	Utilisez une vitesse plus faible.
	La courroie d'entraînement du carter de coupe est usée ou endommagée.	Remplacez la courroie d'entraînement du carter de coupe.
Le moteur pététrade lorsqu'il s'arrête.	La commande d'accélération n'est pas placée en position lente.	Reportez-vous à la section <i>Arrêt du produit à la page 52.</i>
Le moteur s'arrête lorsque vous essayez de faire marche arrière.	Le système de sécurité marche arrière (ROS) n'est pas engagé.	Engagez le système de sécurité marche arrière (ROS). Reportez-vous à la section <i>Pour utiliser le système de sécurité marche arrière (ROS) à la page 53.</i>

Transport, entreposage et mise au rebut

Transport

Remarque: fermez et fixez le capot de la machine pendant le transport, pour éviter tout dommage. Attachez le capot à la machine avec les dispositifs adéquats (corde, etc.).

Lorsque vous déplacez la machine, placez la commande de débrayage en position de débrayage pour désengager la transmission. La commande de débrayage est située sur la barre d'attelage arrière de la machine.



1. Soulevez l'accessoire dans la position la plus haute à l'aide de la commande de levage d'accessoire.

2. Tirez la commande de débrayage vers l'extérieur, glissez-la dans la fente, puis relâchez-la de façon à ce qu'elle reste en position désengagée.
3. Ne déplacez pas le produit à plus de deux (2) mph (3,2 km/h).
4. Pour réengager la transmission, suivez la procédure ci-dessus dans l'ordre inverse.

Sécurité lors du remorquage

- Utilisez uniquement un équipement de remorquage homologué par Husqvarna.
- Utilisez la barre de remorquage pour atteler l'équipement.
- Ne remorquez pas d'équipement pesant plus que le poids maximum autorisé.
- Assurez-vous que personne ne se trouve à proximité du produit lorsque vous remorquez un équipement.
- Ne remorquez pas d'équipement sur des terrains en pente ou accidentés.
- Utilisez le produit à vitesse réduite lorsque vous remorquez un équipement.

Remisage

Préparez le stockage du produit à la fin de la saison, et avant plus de 30 jours de stockage. Si vous conservez du carburant dans le réservoir pendant 30 jours ou plus, des particules collantes peuvent obstruer le carburateur. Cela impacte négativement le fonctionnement du moteur.

Afin d'éviter la formation de particules collantes durant la période d'entreposage, ajoutez un stabilisateur. Si vous utilisez de l'essence d'alkylate, il n'est pas nécessaire d'ajouter un stabilisateur. Si vous utilisez de l'essence normale, ne passez pas à l'essence d'alkylate. Cela peut provoquer le durcissement des pièces sensibles en caoutchouc. Ajoutez un stabilisateur au carburant présent dans le réservoir ou dans le récipient utilisé pour l'entreposage. Respectez toujours les rapports de mélange indiqués par le fabricant. Faites tourner le moteur pendant au moins 10 minutes après avoir ajouté le stabilisateur jusqu'à ce qu'il arrive au carburateur.



AVERTISSEMENT: Ne stockez pas le produit à l'intérieur ou dans un environnement mal aéré si du carburant se trouve dans le réservoir. Il existe un risque d'incendie si les vapeurs

de carburant entrent en contact avec une flamme nue, des étincelles ou une flamme pilote de chaudière, de réservoir d'eau chaude, de sèche-linge, etc.



AVERTISSEMENT: Enlevez de la machine les résidus d'herbe, les feuilles et autres matériaux inflammables afin de réduire le risque d'incendie. Laissez la machine refroidir avant de la remiser.

- Nettoyez la machine, consultez la section *Pour nettoyer le produit à la page 57*. Retouchez la peinture en cas de dommage pour éviter la corrosion.
- Examinez la machine afin de repérer des pièces éventuellement usées ou endommagées et serrez tous les écrous ou vis susceptibles de s'être desserrés.
- Retirez la batterie. Nettoyez-la, chargez-la et laissez-la refroidir pendant la période de remisage.
- Changez l'huile moteur et mettez au rebut l'huile usagée.

- Videz le réservoir de carburant. Démarrez le moteur et laissez-le tourner jusqu'à ce qu'il n'y ait plus de carburant restant dans le carburateur.

Remarque: Ne videz pas le réservoir de carburant et le carburateur si vous avez ajouté un stabilisateur.

- Retirez les bougies et versez une cuillerée à soupe d'huile moteur dans chaque cylindre.

Tournez l'arbre moteur pour appliquer l'huile et remettez les bougies en place.

- Lubrifiez tous les raccords de graissage, les joints et les arbres.
- Entreposez la machine dans un endroit propre et sec et recouvrez-la pour la protéger davantage.
- Une bâche pour protéger votre machine pendant son remisage ou son transport est disponible auprès de votre revendeur.

Mise au rebut

- Les produits chimiques peuvent être dangereux et ne doivent pas être jetés sur le sol. Apportez toujours les produits chimiques à mettre au rebut à un centre d'entretien ou à une déchetterie appropriée.
- Lorsque la machine est usée, renvoyez-la à votre revendeur ou dans une déchetterie appropriée.
- L'huile, les filtres à huile, le carburant et la batterie peuvent avoir des effets négatifs

sur l'environnement. Respectez les consignes locales de recyclage et la réglementation en vigueur.

- Ne jetez pas la batterie dans les déchets ménagers.
- Envoyez la batterie à un agent d'entretien Husqvarna ou disposez-la dans un point de collecte de piles usagées.

Caractéristiques techniques

	TS 142T
Moteur	
Marque du moteur	LCC
Modèle de moteur	LC2P80
Puissance nominale du moteur, ch / kW ⁵	19,4 / 14,5
Régime max. du moteur, tr/min	2 600 ±100
Vitesse du moteur au régime de ralenti, tr/min	1 750 ± 100
Vitesse maximale en marche avant, mi/h / km/h	4,16 / 6,7
Vitesse maximale en marche arrière, mi/h / km/h	2,2 / 3,5
Carburant, indice d'octane minimum, sans plomb, max. 10 % d'éthanol et max. 15 % MTBE, AKI / RON	87 / 91
Capacité du réservoir de carburant, gallons / l	1,5 / 5,68
Type d'huile supérieur à 0 °C/32 °F (API : SJ-SN) :	SAE 30
Type d'huile en dessous de 0 °C/32 °F (API : SJ-SN) :	SAE 5W30
Volume d'huile avec filtre à huile, oz / l	80 / 2,37
Volume d'huile sans filtre à huile, oz / l	72 / 2,13
Système de lubrification	Pression avec filtre à huile

⁵ La puissance nominale indiquée par le fabricant des moteurs correspond à la puissance de sortie brute moyenne à un régime en tr/min spécifié d'un moteur de production typique pour le modèle de moteur mesuré selon la norme SAE pour la puissance brute des moteurs. Référez-vous au manuel du fabricant du moteur pour connaître les spécifications moteur.

	TS 142T
Système de refroidissement	Refroidi à l'air
Filtre à air	Double
Alternateur, V. amp. à 3 600 tr/min	12 V 15 A à 3 600 tr/min
Démarrage du moteur	Démarrage électrique, 12 V
Poids	
Poids avec réservoirs vides, lb / kg	465 / 211
Carter de coupe	
Nombre de lames	2
Longueur de lame, po. / cm	21 / 53,34
Largeur de coupe, po. / cm	42 / 107
Hauteur de coupe, po. / cm	1,0–4,0 / 2,5–10,2
Pneus	
Pression des pneus, avant – arrière, PSI / kPa / bar	15 / 103 / 1
Pneus des roulettes avant, po	15 x 6-6
Pneus arrière, pneus gazon pneumatiques, po.	20 x 8-8
Freins	Frein de stationnement mécanique
Système électrique	
Type	12 V
Batterie	28 A
Bougie	Champion RN9YC
Écartement des électrodes, po / mm	0,030 / 0,76
Couple de la bougie d'allumage, lb-ft / Nm	14,75 / 20
Émissions sonores ⁶	
Niveau de puissance sonore mesuré dB (A)	100
Niveau de puissance sonore, garanti L _{WA} dB(A)	100
Niveaux sonores ⁷	
Niveau de pression sonore à l'oreille de l'utilisateur, dB(A)	80
Niveaux de vibrations ⁸	
Niveau de vibrations dans le volant, en m/s ²	4,25

⁶ Les émissions sonores dans l'environnement sont mesurées en puissance acoustique (L_{WA}) conformément à la directive CE 2000/14/CE. Le niveau de puissance sonore reporté pour la machine a été mesuré avec l'accessoire de coupe d'origine qui donne le niveau le plus élevé. Le niveau de puissance sonore garanti diffère du niveau mesuré en cela qu'il prend également en compte la dispersion et les variations d'une machine à l'autre du même modèle, conformément à la directive 2000/14/CE.

⁷ Les données reportées pour le niveau de pression sonore équivalent pour le produit montrent une dispersion statistique typique (déviations standard) de 1 dB (A).

⁸ Les données reportées pour le niveau de vibrations équivalent montrent une dispersion statistique type (déviations standard) de 1 m/s².

	TS 142T
Niveau de vibrations dans le siège, en m/s^2	0,92

Entretien

Entretien

Faire un contrôle annuel dans un service technique agréé pour vous assurer que le produit fonctionne correctement en ce qui concerne la sécurité et à son meilleur pendant la haute saison. Le meilleur moment pour faire de l'entretien ou la réparation de ce produit est basse saison.

Lorsque vous envoyez un ordre pour les pièces de rechange, fournir des informations sur l'année d'achat, le modèle, le type et le numéro de série.

Utilisez toujours les pièces de rechange d'origine.

Déclaration de conformité

Déclaration de conformité UE

Nous, Husqvarna AB, SE 561 82 Huskvarna, SUÈDE, déclarons sous notre responsabilité exclusive que le produit représenté :

Description	Tondeuse autoportée alimentée par moteur à combustion pour conducteur assis
Marque	Husqvarna
Plate-forme / Type / Modèle	TS 142T
Lot	Numéro de série à partir de 2021

sont entièrement conformes à la réglementation et aux directives de l'UE suivantes :

Directive/Réglementation	Description
2006/42/CE	« relative aux machines »
2011/65/UE	« relative à la limitation de l'utilisation de certaines substances dangereuses »
2014/30/UE	« relative à la compatibilité électromagnétique »
2000/14/CE, 2005/88/CE	« relative au bruit extérieur »

Les normes harmonisées et/ou les spécifications techniques appliquées sont comme suit : EN ISO 12100:2010, EN ISO 14982:2009, EN ISO 5395-1:2013/A1:2018, EN ISO 5395-3:2013/A1:2017/A2:2018, EN ISO 3744:2010, EN ISO 11094:1991, EN 1032:2009, EN IEC 63000:2018, EN IEC 63000:2018.



Conformément à l'Annexe VI de la directive 2000/14/CE, les valeurs sonores déclarées sont les suivantes :

Niveau de puissance sonore mesuré : 99 dB(A).

Niveau de puissance sonore garanti : 100 dB(A).

La tondeuse autoportée alimentée par moteur à combustion pour conducteur assis fournie correspond à l'exemplaire soumis à l'examen.

Pour le compte de Husqvarna AB, SE 561 82 Huskvarna, SUÈDE, 2021-06-07.

Claes Losdal

Responsable de la documentation technique.

Inhoud

Inleiding.....	80	Opslag.....	113
Veiligheid.....	84	Afvoeren.....	114
Montage.....	89	Technische gegevens.....	114
Werking.....	90	Service.....	116
Onderhoud.....	95	Verklaring van overeenstemming.....	117
Probleemoplossing.....	108	Bijlage	238
Vervoer, opslag en verwerking.....	113		

Inleiding

Afleveringsinspectie en productnummers

om een getekend exemplaar van het afleveringsinspectiedocument.

Let op: Bij dit product werd een afleveringsinspectie uitgevoerd. Vraag uw dealer

Contactinformatie service-werkplaats:	
Deze gebruikershandleiding hoort bij het product met het product//serienummer:	
/	
Motor:	
Transmissie:	

Productbeschrijving

Dit is een zitmaaier waarbij het maaidek is aangebracht tussen de voor- en achteras. Hij is uitgerust met een viertaktbenzinemotor.

Optionele accessoires:

- Grasopvangbak
- Mulchplug

Gebruik

Deze machine mag alleen worden gebruikt voor het maaien van gras in privétuinen en op privéhellingen van maximaal 15°. De machine mag niet worden gebruikt in openbare parken, op sportvelden, in de landbouw of in de bosbouw. Gebruik het product uitsluitend met accessoires die door de fabrikant zijn goedgekeurd.

Ieder ander gebruik van de machine is onjuist gebruik. Hierdoor komt uw garantie te vervallen en is de fabrikant niet verantwoordelijk voor schade aan de gebruiker of derden.

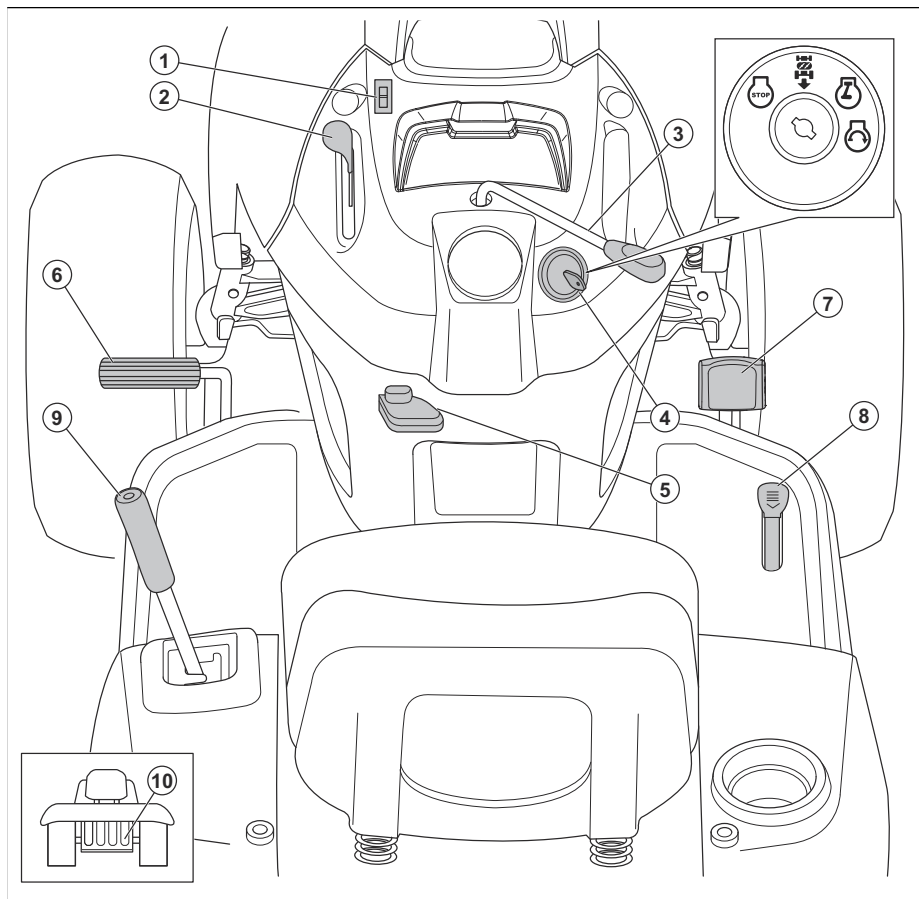
Zie de plaatselijke richtlijnen voor het gebruik van gazonmaaiers.

Ondersteuning/Help

Als u hulp nodig hebt of vragen hebt over de toepassing, bediening, onderhoud of onderdelen van uw product:

- Bezoek onze website www.husqvarna.com
- Bel ons gratis: 1-800-487-5951

Productoverzicht



1. Lichtschakelaar
2. Gashendel
3. Koppelingshendel van het opzetstuk
4. Contactschakelaar
5. Parkeerremhendel
6. Rempedaal
7. Pedaal voor vooruitrijden
8. Pedaal voor achteruitrijden
9. Hefhendel van het opzetstuk
10. Vrijloophendel

Symbolen op het product



Waarschuwing! Wees voorzichtig en gebruik het product op de juiste manier. Dit product kan ernstig of fataal letsel toebrengen aan de gebruiker of anderen.



LET OP: Onjuist gebruik kan leiden tot schade aan het product of persoonlijke eigendommen.



Lees de bedieningshandleiding goed door en zorg dat u de instructies hebt begrepen voordat u dit product gaat gebruiken.

R
N

Achteruit.

Neutraal.



Hoog.



Laag.



Startpositie voor koud weer.



Snel.



Langzaam.



Choke.



Contactschakelaar.



Motor uit.



Motor starten.



Motor aan.



Rem- en koppelingspedaal.



Parkeerrem.



Parkeerrem ingeschakeld.



Parkeerrem uitgeschakeld.



Maaihogte.



Maaidek omhoog zetten.



Differentieelslot.



Reverse Operation System (ROS).



Achteruit.



Vooruit.



Verlichting aan.



Brandstof.



Oliedruk.



Accu.



Gehoorbescherming aanbevolen.



De messen zijn uitgeschakeld.



De messen zijn ingeschakeld.



Risico op koolmonoxidevergiftiging.



Pas op voor wegschietende voorwerpen.



Gevaar. Houd handen en voeten uit de buurt.



Houd omstanders uit de buurt.



Het symbool voor vuur duidt op een risico dat, indien niet in acht genomen, kan leiden tot overlijden, ernstig letsel en/of schade.



Geluidsvermogeniveau.



Het product voldoet aan de geldende EG-richtlijnen.



Dit product voldoet aan de geldende VK-regelgeving.



Houd handen en voeten uit de buurt van dit gedeelte.



Gebruik het product niet op hellingen van meer dan 15°.



Warme oppervlakken. Niet aanraken.



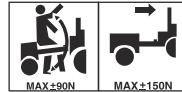
Wanneer u het product gebruikt, moet de afscherming van de deflector op het maaidek worden aangebracht.



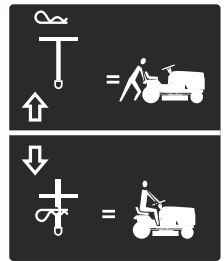
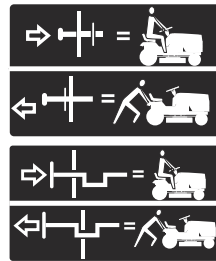
Wanneer u het product gebruikt, moet de grasvangbak worden aangebracht.



Bekneld raken van handen.



Belasting trekstang.



Vrijloop (alleen modellen met automatische transmissie).

Productaansprakelijkheid

Zoals uiteengezet in de wet voor productaansprakelijkheid zijn wij niet aansprakelijk voor schade die door ons product wordt veroorzaakt, indien:

- het product niet goed is gerepareerd.
- het product is gerepareerd met onderdelen die niet van de fabrikant afkomstig zijn, of onderdelen die niet zijn goedgekeurd door de fabrikant.
- het product een accessoire bevat dat niet afkomstig is van de fabrikant of niet is goedgekeurd door de fabrikant.
- het product niet is gerepareerd door een erkend servicepunt of door een erkende autoriteit.

Veiligheid

Veiligheidsdefinities

Waarschuwingen, voorzorgsmaatregelen en opmerkingen worden gebruikt om te wijzen op belangrijke delen van de handleiding.



WAARSCHUWING: Wordt gebruikt om te wijzen op de kans op ernstig of fataal letsel voor de gebruiker of omstanders wanneer de instructies in de handleiding niet worden gevolgd.



OPGELET: Wordt gebruikt indien er een risico bestaat op schade aan het product en andere eigendommen of aan de omgeving wanneer de instructies in de handleiding niet worden gevolgd.

Let op: Geven verdere informatie die nodig is in een bepaalde situatie.

Veilige bedieningspraktijken voor maaiers met meerrijdende bediener



WAARSCHUWING: Dit product kan handen en voeten amputeren en voorwerpen wegslingeren. Het niet naleven van de volgende veiligheidsinstructies kan leiden tot ernstige ongelukken of de dood.



WAARSCHUWING: Haal altijd de bougiekabel los en leg de kabel op een plek waar deze niet in contact kan komen met de bougie. Doe dit om het per ongeluk starten van de motor te voorkomen tijdens instel-, aanpassings- of reparatiewerkzaamheden of tijdens het vervoer.



WAARSCHUWING: Rijd niet in de neutrale stand een helling af; u kunt de controle over de tractor verliezen.



WAARSCHUWING: Trek alleen opzetstukken die worden aanbevolen door en voldoen aan de specificaties van de fabrikant van uw tractor. Gebruik uw gezonde verstand bij het trekken. Werk op hellingen alleen met het laagst mogelijke toerental. Als u een te zware last trekt op een helling kan dit gevaar opleveren. Banden kunnen dan de grip

op de grond verliezen, waardoor u de controle over uw tractor verliest.



WAARSCHUWING: De uitlaatgassen van de motor, sommige bestanddelen daarin en bepaalde voertuigonderdelen kunnen chemicaliën bevatten of uitstoten waarvan door de Staat van Californië wordt aangenomen dat ze kanker, geboortefwijkingen en andere beschadigingen van het voortplantingssysteem veroorzaken.

I. KINDEREN



WAARSCHUWING: KINDEREN KUNNEN VERWOND WORDEN DOOR DEZE APPARATUUR. De American Academy of Pediatrics adviseert dat kinderen minimaal 12 jaar moeten zijn voordat ze een lopend bediende gazonmaaier mogen gebruiken en minimaal 16 jaar moeten zijn voordat ze een rijdende gazonmaaier mogen gebruiken.



WAARSCHUWING: KINDEREN KUNNEN ERNSTIG OF DODELIJK LETSEL OPLOPEN DOOR DEZE APPARATUUR. Lees de onderstaande veiligheidsinstructies zorgvuldig en volg deze op.

Er kunnen ernstige ongelukken gebeuren als de gebruiker de aanwezigheid van kinderen niet opmerkt. Kinderen vinden machines en maaien vaak interessant. Ga er nooit van uit dat kinderen op de plek blijven waar u ze voor het laatst hebt gezien.

- Houd kinderen uit het maaigebied en onder toezicht van een verantwoordelijke volwassene (niet de gebruiker zelf).
- Wees alert en schakel de machine uit als kinderen het (maai)gebied betreden.
- Kijk achter u en omlaag of er kleine kinderen in de buurt zijn vóór en tijdens het achteruitrijden.
- Vervoer nooit kinderen op de machine, ook niet als de bladen zijn uitgeschakeld. Ze kunnen eraf vallen en ernstig gewond raken of de veilige werking van de machine verstoren. Kinderen die in het verleden op de machine hebben meegereden kunnen plotseling in het maaigebied opduiken omdat ze nog een keer willen meerijden en onder de machine terechtkomen bij achteruitrijden.
- Laat de machine nooit door kinderen bedienen.

- Wees extra voorzichtig als u een blinde hoek, struiken, bomen of andere voorwerpen nadert die het zicht op kinderen kunnen belemmeren.

II. ALGEMENE BEDIENING

- Zorg dat u alle instructies op de machine en in de handleiding hebt gelezen, begrepen en opgevolgd.
- Plaats uw handen of voeten niet bij draaiende delen of onder de machine. Blijf altijd uit de buurt van de afvoeropening.
- De machine mag alleen worden gebruikt door verantwoordelijke volwassenen die bekend zijn met de instructies.
- Haal voorwerpen, zoals stenen, speelgoed en draad, uit de buurt, omdat deze door de bladen kunnen worden opgepakt en gelanceerd.
- Zorg dat er geen omstanders in het gebied aanwezig zijn voordat u begint. Stop de machine als iemand dichterbij komt.
- Vervoer nooit passagiers op de machine.
- Maai niet achteruit, tenzij het absoluut nodig is. Kijk altijd omlaag en achter u vóór en tijdens het achteruitrijden.
- Richt afgevoerd materiaal nooit op personen. Voer materiaal niet af tegen een muur of obstakel. Materiaal kan terug naar de gebruiker worden gelanceerd. Stop de bladen als u over stukken met grind rijdt.
- Bedien de machine niet zonder de volledige grasopvangbak, uitworptrechter of zonder dat andere veiligheidsinrichtingen op hun plaats zitten en werken.
- Ga langzamer rijden voordat u een bocht neemt.
- Laat de machine nooit onbeheerd achter terwijl de motor draait. Schakel altijd de messen uit, schakel de parkeerrem in en zet de motor uit voordat u van de machine stapt.
- Schakel de bladen uit als er niet wordt gemaaid. Schakel de motor uit en wacht tot alle onderdelen volledig stilstaan voordat u de machine schoon maakt, de grasopvangbak verwijdert of de uitworptrechter schoon maakt.
- Bedien de machine alleen bij daglicht of voldoende kunstmatig licht.
- Bedien de machine niet wanneer u onder invloed van alcohol of drugs bent.
- Let op het verkeer als u nabij wegen rijdt of deze kruist.
- Wees extra voorzichtig als u de machine op een aanhanger of vrachtwagen laadt of lost.
- Draag altijd oogbescherming bij het bedienen van de machine.
- Gebruik gehoorbescherming om een gehoorbeschadiging te voorkomen.
- Statistieken geven aan dat bedieners die 60 jaar en ouder zijn, vaker betrokken zijn bij maaimachinegerelateerde ongelukken. Deze gebruikers moeten beoordelen of ze beschikken over voldoende vermogen om de zitmaaier veilig

genoeg te bedienen, om henzelf en anderen tegen ernstig letsel te beschermen.

- Volg de aanbevelingen van de fabrikant voor wielverzwaarders of contragewichten.
- Houd de machine vrij van gras, bladeren of ander vuil dat zich kan ophopen en de hete uitlaat of motoronderdelen kan raken en vlam kan vatten. Ploeg niet door bladeren of ander vuil om deze ophoping te voorkomen. Verwijder gemorste olie of brandstof voordat u de machine bedient of opslaat. Laat de machine afkoelen voordat u hem opslaat.

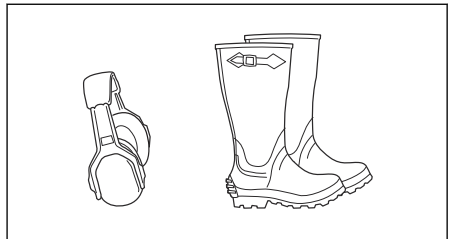
Veiligheidsinstructies voor bediening

Persoonlijke beschermingsuitrusting



WAARSCHUWING: Lees de volgende waarschuwingen voordat u het product gaat gebruiken.

- Draag tijdens het gebruik van het product altijd goedgekeurde persoonlijke beschermingsmiddelen. Persoonlijke beschermingsuitrusting kunnen niet alle risico's uitsluiten maar kunnen de ernst van eventueel letsel helpen beperken. Vraag uw dealer u te helpen bij het kiezen van de juiste beschermingsmiddelen.
- Gebruik goedgekeurde gehoorbescherming. Langdurige blootstelling aan lawaai kan leiden tot permanente gehoorbeschadiging.
- Gebruik zware anti-slipplaatzen of -schoenen. Stalen neuzen worden aanbevolen. Draag geen open schoenen en loop niet op blote voeten.



- Draag zo nodig beschermende handschoenen, bijvoorbeeld bij het monteren, inspecteren of reinigen van de snijuitrusting.
- Draag geen loszittende kleding, sieraden of andere voorwerpen die vast kunnen komen te zitten in bewegende delen.
- Houd een EHBO-does en een brandblusser binnen handbereik.

Veiligheidsvoorzieningen op het product



WAARSCHUWING: Lees de volgende waarschuwingen voordat u het product gaat gebruiken.

- Gebruik geen producten met veiligheidsvoorzieningen die beschadigd zijn of niet correct werken. Controleer de veiligheidsvoorzieningen regelmatig op een juiste werking. Als de veiligheidsvoorzieningen zijn beschadigd, neemt u contact op met uw Husqvarna-servicewerkplaats.
- Voer geen veranderingen uit aan de veiligheidsvoorzieningen. U mag het product niet gebruiken als beschermingsplaten, afschermingen, veiligheidsschakelaars of andere veiligheidsvoorzieningen ontbreken of beschadigd zijn.

De dodemanshandgreep (OPC) controleren



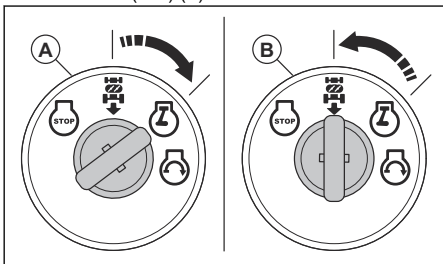
WAARSCHUWING: Gebruik het product niet met een dodemansregeling (OPC) die niet correct werkt. Als de OPC niet correct werkt, moet u deze onmiddellijk repareren. Neem contact op met een erkende servicewerkplaats.

- Controleer of de motor pas kan starten als het rempedaal volledig is ingetrapt en het maaidek is ontkoppeld.
- Controleer of de motor stopt wanneer de gebruiker opstaat uit de stoel als de parkeerrem is ingeschakeld.
- Controleer of de motor stopt wanneer de gebruiker opstaat uit de stoel wanneer het maaidek is ingeschakeld.
- Controleer of de koppelingshendel voor het maaidek niet kan werken wanneer de bestuurder niet op de stoel zit.

Het Reverse Operating System (ROS) controleren

Als het Reverse Operating System (ROS) niet correct werkt, repareer dan het product onmiddellijk. Neem contact op met een erkende servicewerkplaats.

1. Start het product. Zie *Product starten op pagina 91*.
2. Schakel het maaidek in. Zie *Het maaidek inschakelen en ontkoppelen op pagina 94*.
3. Controleer of de motor stopt wanneer u probeert achteruit te rijden met de contactsleutel in de stand "ON" (aan) (A).



4. Start het product en schakel het maaidek opnieuw in.
5. Draai de contactschakelaar met ROS geactiveerd naar stand (B).
6. Controleer of de motor niet stopt wanneer u achteruit rijdt en de contactsleutel is ingeschakeld met ROS geactiveerd.

Controleer de remmen



WAARSCHUWING: Onderhoud aan de remmen is noodzakelijk als de machine bij de hoogste snelheid in de hoogste versnelling op een vlakke, droge ondergrond meer dan 1,5 m (5 ft) nodig heeft om te stoppen.

1. Parkeer de machine op een vlakke, droge betonnen of bestrate ondergrond. Trap het rempedaal volledig in en schakel de parkeerrem in.
2. Zet de vrijlooptregeling in de stand "Transmissie uitgeschakeld" om de transmissie uit te schakelen.
3. De achterwielen moeten blokkeren en slippen als u de machine handmatig vooruit probeert te duwen. Als de achterwielen ronddraaien, moet er onderhoud aan de remmen worden uitgevoerd.
4. Neem contact op met een erkend servicecentrum.

Parkeerrem



WAARSCHUWING: Als de parkeerrem niet werkt, kan het product beginnen te bewegen en daardoor letsel of schade veroorzaken. Inspecteer de parkeerrem regelmatig en stel deze af indien nodig.

Zie *Controleer de remmen op pagina 86*.

Geluiddemper

De uitlaatdemper is bedoeld om het geluidsniveau zo laag mogelijk te houden en om de uitlaatgassen weg te voeren van de gebruiker.

Gebruik het product niet als de geluiddemper ontbreekt of beschadigd is. Een beschadigde geluiddemper laat het geluidsniveau stijgen en vergroot het risico van brand.



WAARSCHUWING: De uitlaatdemper wordt erg heet tijdens en na gebruik en wanneer de motor draait bij stationair toerental. Wees voorzichtig in de buurt van brandbare materialen en/of dampen om brand te voorkomen.

Geluiddemper controleren

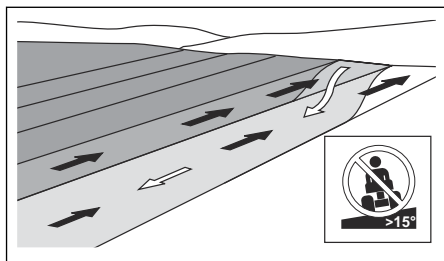
- Inspecteer de uitlaatdemper regelmatig om te verifiëren of die goed vastzit en niet beschadigd is.

Gras maaien op hellingen



WAARSCHUWING: Lees de volgende waarschuwingen voordat u het product gaat gebruiken.

- Maaien op een helling verhoogt het risico dat u de controle over het product verliest en dat het product kantelt. Dit kan ernstig of dodelijk letsel veroorzaken. Bij maaien op een helling is het van groot belang voorzichtig te werk te gaan. Als u niet achteruit tegen een helling op kunt rijden of als u zich daar niet prettig bij voelt, maai de helling dan niet.
- Verwijder stenen, takken en andere obstakels.
- Maai verticaal tegen de helling (omhoog en omlaag), niet horizontaal (van links naar rechts of omgekeerd).
- Rijd niet een helling af met opgeheven maaidek.
- Gebruik het product niet op een helling van meer dan 15°.



- Start of stop niet op een helling.
- Rijd op hellingen gelijkmatig en langzaam.
- Vermijd abrupte veranderingen in snelheid en richting.
- Draai niet meer dan noodzakelijk. Draai langzaam en geleidelijk wanneer u een helling afrijdt. Rijd met lage snelheid. Draai voorzichtig aan het stuurwiel.
- Kijk uit voor en rijd niet over voren, kuilen en hobbels. Er bestaat een grotere kans dat het product kantelt op een ondergrond die niet vlak is. Obstakels kunnen moeilijk te zien zijn door hoog gras.
- Maai niet in de buurt van randen, greppels of hellingen. Het product kan plotseling kantelen als een van de wielen over de randen van een steile helling of greppel komt, of als een berm inzakt.
- Niet gebruiken voor het maaien van nat gras. Nat gras is glad en de banden kunnen hun grip verliezen waardoor het product slipt.
- Zet uw voet niet op de grond om te proberen het product te stabiliseren.

- Ga zeer voorzichtig te werk als er een accessoire of ander object aan het product is bevestigd waardoor het minder stabiel is.

Brandstofveiligheid



WAARSCHUWING: Lees de volgende waarschuwingen voordat u het product gaat gebruiken.

- Brandstof is brandbaar en de dampen zijn explosief. Wees voorzichtig met brandstof om letsel, brand en explosies te voorkomen.
- Adem geen brandstofdampen in. De brandstofdampen zijn giftig en kunnen letsel veroorzaken. Zorg voor voldoende ventilatie.
- Verwijder de brandstoftankdop niet en vul de tank niet bij wanneer de motor draait.
- Zorg ervoor dat de motor koud is wanneer u brandstof bijvult.
- Vul binnenshuis geen brandstof bij. Onvoldoende ventilatie kan leiden tot ernstig letsel of de dood door verstikking of koolmonoxidevergiftiging.
- Rook niet in de buurt van de brandstof of de motor.
- Plaats geen warme voorwerpen in de buurt van de brandstof of de motor.
- Vul geen brandstof bij in de nabijheid van vonken of open vuur.
- Draai de tankdop langzaam open en laat de druk voorzichtig ontsnappen voordat u brandstof bijvult.
- Brandstof op uw huid kan letsel veroorzaken. Als er brandstof op uw huid terecht komt, verwijder deze dan met water en zeep.
- Als u brandstof op uw kleding morst, trek dan direct andere kleding aan.
- Vul de brandstoftank niet volledig. Door hitte zet de brandstof uit. Zorg ervoor dat er ruimte overblijft aan de bovenkant van de brandstoftank.
- Draai de tankdop volledig aan. Als de tankdop niet volledig is aangedraaid, bestaat een risico op brand.
- Voordat u het product start, moet u het product verplaatsen naar een afstand van minimaal 3 m vanaf het punt waar u hebt getankt.
- Start het product niet als er brandstof of motorolie op het product aanwezig is. Verwijder de ongewenste brandstof en motorolie en laat het product drogen voordat u de motor start.
- Controleer de motor regelmatig op lekkage. Bij lekkage in het brandstofsysteem mag u de motor niet starten zolang de lekken niet gerepareerd zijn.
- Gebruik uw vingers niet om de motor op lekkage te controleren.
- Bewaar brandstof in goedgekeurde containers.
- Wanneer het product en de brandstof worden opgeslagen, moet u ervoor zorgen dat brandstof

en brandstofdampen geen schade kunnen veroorzaken.

- Tap brandstof af in een daarvoor goedgekeurde container, en doe dat buiten en niet in de nabijheid van vonken en open vuur.

Veiligheid bij accu's



WAARSCHUWING: Een beschadigde accu kan exploderen en letsel veroorzaken. Als de accu vervormd of beschadigd is, neem dan contact op met een erkende Husqvarna servicewerkplaats.



WAARSCHUWING: Lees de volgende waarschuwingen voordat u het product gaat gebruiken.

- Draag een veiligheidsbril wanneer u zich in de buurt van accu's begeeft.
- Draag geen horloges, sieraden of andere metalen voorwerpen in de buurt van de accu.
- Houd de accu buiten het bereik van kinderen.
- Laad de batterij op in een goed geventileerde ruimte.
- Houd ontvlambare materialen op een minimumafstand van 1 m wanneer u de batterij oplaadt.
- Voer vervangen accu's af. Zie *Afvoeren op pagina 114*.
- Er kunnen explosieve gassen uit de accu vrijkomen. Rook niet in de buurt van de accu. Houd de accu uit de buurt van open vuur en vonken.

Transportveiligheid

- Gebruik een goedgekeurd transportvoertuig om het product te vervoeren.
- De nationale of lokale wetgeving van een markt kan het transport van dit product mogelijk beperken.
- De gebruiker van het transportvoertuig is verantwoordelijk voor het veilig vastzetten van het product tijdens het transport. Zie *Transport op pagina 113*.

Veiligheidsinstructies voor onderhoud



WAARSCHUWING: Het product is zwaar en kan letsel of schade aan eigendommen of de omgeving veroorzaken. Voer geen onderhoud uit aan de motor of het maaidek zonder aan deze voorwaarden te voldoen:

- De motor is uitgeschakeld.
- Het product is op een vlakke ondergrond geparkeerd.

- De parkeerrem is ingeschakeld.
- De contactsleutel is verwijderd.
- Het maaidek is ontkoppeld.
- De bougiekabels zijn van de bougies losgenomen.



WAARSCHUWING:

Uitlaatgassen van de motor bevatten koolmonoxide, een geurloos, giftig en uiterst gevaarlijk gas. Gebruik het product niet in gesloten ruimten of ruimten met onvoldoende luchtstroming.



WAARSCHUWING: Lees de volgende waarschuwingen voordat u onderhoud aan het product gaat uitvoeren.

- Voor optimale prestaties en veiligheid adviseren wij u het product te onderhouden volgens het onderhoudsschema. Zie *Onderhoudsschema op pagina 96*.
- Een elektrische schok kan letsel veroorzaken. Raak geen kabels aan als de motor draait. Voer een functietest van het ontstekingsstelsel niet met uw vingers uit.
- Start de motor niet als de beschermkappen zijn verwijderd. Er bestaat dan groot risico op letsel door bewegende of hete delen.
- Laat het product afkoelen voordat u onderhoudswerkzaamheden in de buurt van de motor uitvoert.
- De messen zijn erg scherp en kunnen snijwonden veroorzaken. Voorzie de messen van bescherming of draag beschermende handschoenen wanneer u aan de messen werkt.
- Plaats het maaidek altijd in de onderhoudsstand om het te reinigen. Parkeer het product niet dicht bij de rand van een greppel of helling om toegang te krijgen tot het maaidek.



OPGELET: Lees de volgende veiligheidsinstructies voordat u het product gaat gebruiken.

- Laat de motor niet draaien als de bougie of ontstekingskabel is verwijderd.
- Zorg dat alle moeren en bouten goed zijn vastgedraaid en dat de apparatuur in goede staat is.
- Wijzig de instelling van de regelaars niet. Als het motortoerental te hoog is, kunnen de productonderdelen beschadigd raken.
- Het product is alleen goedgekeurd voor gebruik in combinatie met de uitrusting die wordt geleverd of wordt aanbevolen door de fabrikant.

Montage

Inleiding



WAARSCHUWING: Zorg dat u het hoofdstuk over veiligheid hebt gelezen en begrepen voordat u het apparaat monteert.

Het product uit de verpakking verwijderen

1. Verwijder losse onderdelen die bij het product worden geleverd.
2. Verwijder de eindpanelen.
3. Verwijder de zijpanelen en leg deze op een vlakke ondergrond.
4. Verwijder alle verpakkingsmaterialen.
5. Haal het product uit de doos en zorg ervoor dat er geen losse onderdelen in de doos blijven zitten.

Montagegereedschappen

- 1/2" (13 mm) sleutel
- 7/16" (11 mm) sleutels (2 stuks)
- Bandenspanningsmeter
- Mes
- Tang
- Dopsleutelset (optioneel)

Losse onderdelen die moeten worden gemonteerd

Het product is niet volledig gemonteerd. De onderstaande onderdelen worden los meegeleverd wanneer u het product koopt.



Sleutel, 2 stuks



Hellingschema, 1 stuks



Zeskantbout, 2 stuks



Moeren, 2 stuks



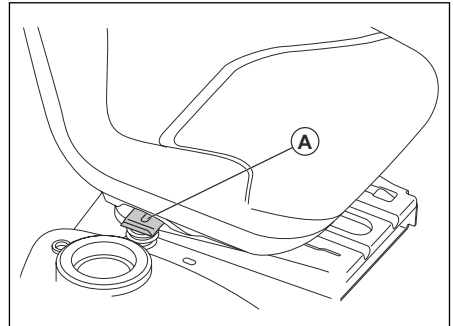
Sproeieradapter, 1 stuks



Olieaftapslang, 1 stuks

De stoel afstellen

1. Ga op de stoel zitten.
2. Trek de afstelhendel voor de stoel (A) omhoog.



3. Verplaats de stoel totdat deze in een positie staat waarin u het rem- en koppelingspedaal kunt intrappen.
4. Laat de afstelhendel voor de stoel (A) los om de stoel in positie te vergrendelen.

De accu aansluiten

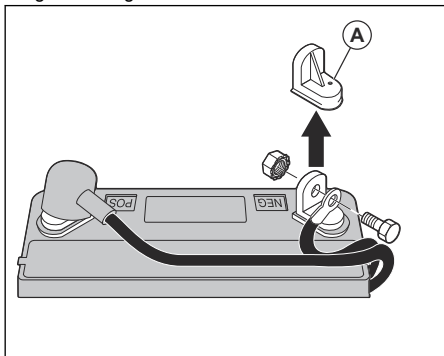


WAARSCHUWING: Risico op elektrische schok en brandwonden. Draag geen metalen polsbandjes of andere metalen accessoires. Wanneer metalen voorwerpen de accupolen raken, kan dit brandwonden, elektrische schokken en kortsluiting van de accu veroorzaken.

Let op: Als het jaar en de maand die op het acculabel staan vermeld, zijn verstreken, moet u de accu opladen. Laad de accu minimaal 1 uur op bij 6-10 ampère.

1. U vindt de accu onder de stoel of onder de motorkap.
2. Til de stoelplaat of motorkap op in de hoge stand.

3. Verwijder de 2 doppen (A) van de accupolen en gooi ze weg.



4. Sluit de rode accukabel aan op de plusklem (+) en draai de bout en moer vast zoals aangegeven. Schuif de beschermkap over de klem.



WAARSCHUWING: Gevaar voor vonkvorming. De rode accukabel moet worden aangesloten op de pluspool voordat de zwarte accukabel wordt aangesloten op de minpool. Dit is om vonkvorming en onbedoeld aarden te voorkomen.

5. Sluit de zwarte kabel aan op de negatieve (-) accupool en draai de bout en moer volledig vast zoals aangegeven.
6. Breng vaseline aan op de accukabels om corrosie te voorkomen.
7. Breng de stoelplaat of de motorkap omlaag.

De machine van de glijplaat afhalen

1. Zet het maaidek in de hoogste positie. Gebruik de hefhandel.
2. Duw het koppelings-/rempeedaal in om de parkeerrem uit te schakelen.
3. Plaats de vrijlooptregeling in de stand "Transmissie uitgeschakeld". Raadpleeg *Vervoer, opslag en verwerking op pagina 113*.

4. Duw de machine naar voren, van de glijplaat af.
5. Verwijder de band die de afscherming van de deflector tegen het product houdt.

Een controle na montage uitvoeren

- Controleer of alle montage-instructies zijn afgewerkt.
- Controleer of er geen losse onderdelen zijn achtergebleven in de verpakking.
- Controleer of de accu is voorbereid en opgeladen.
- Controleer of de bouten van de stoel zijn vastgedraaid en dat de stoel correct is afgesteld.
- Controleer of de banden naar behoren zijn opgepompt.
- Voor het beste maaieresultaat moet het maaidek in de breedte en in de lengte zijn uitgebalanceerd. Controleer of de banden correct zijn opgepompt voor een uitgebalanceerd maaidek.
- Controleer het maaidek en de aandrijfriemen goed. Controleer of de riemen correct om de poelies en het binnenste deel van alle riemhouders lopen.
- Bekijk de elektrische bedrading goed. Controleer of alle draden en aansluitingen veilig zijn.
- Zorg dat de vrijlooptregeling in de stand "Transmissie ingeschakeld" staat. Zie *Transport op pagina 113*.
- Zorg ervoor dat de motorolie het juiste peil heeft.
- Zorg ervoor dat de tank is gevuld met het juiste type brandstof.
- Zorg ervoor dat u bekend bent met de locatie en functie van alle bedieningselementen.
- Zorg ervoor dat het remsysteem veilig functioneert.
- Zorg ervoor dat de dodemansregeling (OPC) en het achteruitrijstelsel (ROS) correct werken. Zie *De dodemanshandgreep (OPC) controleren op pagina 86* en *Het Reverse Operating System (ROS) controleren op pagina 86*.
- Verwijder vóór het eerste gebruik alle lucht uit de transmissie. Zie *Lucht uit de transmissie verwijderen op pagina 107*.

Werking

Inleiding



WAARSCHUWING: Zorg dat u het hoofdstuk over veiligheid hebt gelezen en begrepen voordat u het product gebruikt.



Brandstof bijvullen

WAARSCHUWING: Benzine is uiterst ontvlambaar. Wees voorzichtig en vul buitenshuis brandstof bij. Zie *Brandstofveiligheid op pagina 87*.



OPGELET: Gebruik altijd het juiste type brandstof. Een verkeerd type

brandstof kan schade aan het product veroorzaken.

- Gebruik benzine van het juiste type. Zie *Technische gegevens op pagina 114*. Raadpleeg voor meer informatie over de brandstof de motorhandleiding die door de motorfabrikant is geleverd.
- Controleer het brandstofniveau voorafgaand aan elk gebruik en vul bij indien nodig.
- Vul de brandstoftank nooit volledig. Zorg ervoor dat er minimaal 2,5 cm ruimte overblijft.

Product starten

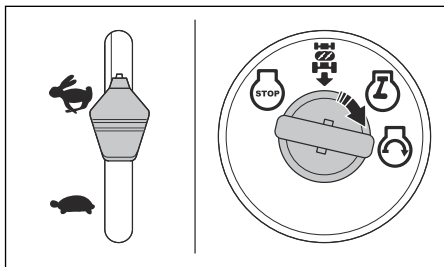
Voordat u het product inschakelt



WAARSCHUWING: Voordat u het product gebruikt, moet u de veiligheids- en bedieningsinstructies zorgvuldig lezen en begrijpen.

1. Controleer het motoroliepeil. Zie *Het motoroliepeil controleren op pagina 105*.
2. Vul de brandstoftank met brandstof. Zie *Brandstof bijvullen op pagina 90*.
3. Schakel de vrijlooptmodus uit. Zie *Het product in de vrijlooptmodus zetten op pagina 95*.
4. Zet de stoel in de werkstand en ga zitten.
5. Schakel de parkeerrem in. Zie *De parkeerrem in- en uitschakelen op pagina 93*.
6. Controleer of het maaidek is ontkoppeld. Zie *Het maaidek inschakelen en ontkoppelen op pagina 94*.

Warme motor starten



1. Ga op de stoel zitten.
2. Controleer of het maaidek is ontkoppeld. Zie *Het maaidek inschakelen en ontkoppelen op pagina 94*.
3. Zet het maaidek in de transportstand. Zie *Het maaidek in de transportstand of maaistand zetten op pagina 92*.
4. Zet de gashendel in de snelle stand.
5. Houd het rempedaal volledig ingetrapt.
6. Steek de contactsleutel in het contact.

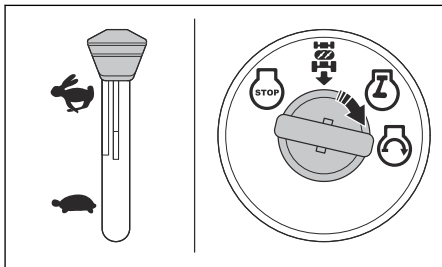
7. Draai de contactsleutel in de stand "START" en laat de contactsleutel los wanneer de motor start.



OPGELET: Laat de startmotor bij het starten niet langer dan 15 seconden per minuut draaien.

8. Als het koud is, laat eerst de motor warm worden voordat u begint met grasmaaien.

Koude motor starten



1. Ga op de stoel zitten.
2. Controleer of het maaidek is ontkoppeld. Zie *Het maaidek inschakelen en ontkoppelen op pagina 94*.
3. Zet het maaidek in de transportstand. Zie *Het maaidek in de transportstand of maaistand zetten op pagina 92*.
4. Zet de gashandelen in de chokestand.
5. Houd het rempedaal volledig ingetrapt.
6. Steek de contactsleutel in het contact.
7. Draai de contactsleutel in de stand "START" en laat de contactsleutel los wanneer de motor start.



OPGELET: Laat de startmotor bij het starten niet langer dan 15 seconden per minuut draaien.

8. Als de motor start, zet u de gashendel in de snelle stand (D) om de motor op te warmen. Als het koud is, duurt het enkele minuten voordat de motor warm is.



OPGELET: Als de omgevingstemperatuur lager is dan 4 °C, moet u de motor 1 minuut stationair laten draaien voordat u het product gebruikt. Dit is om de transmissie op te warmen. Zorg ervoor dat de besturingshendel in de neutraalstand staat en dat het rempedaal volledig is losgelaten.

De transmissie opwarmen bij koud weer

Let op: Voordat u de machine bij koud weer gebruikt, laat u de transmissie opwarmen.

1. Plaats de machine op een vlakke ondergrond.
2. Zet de parkeerrem vrij en laat het rempedaal langzaam omhoog komen.
3. Laat de transmissie gedurende een minuut opwarmen. Dit kan gebeuren tijdens de opwarmperiode van de motor.
4. Nadat de transmissie is opgewarmd, kan de aangesloten uitrusting worden gebruikt tijdens de opwarmperiode van de motor. Het is eventueel nodig om de chokehendel een klein beetje naar buiten te trekken.

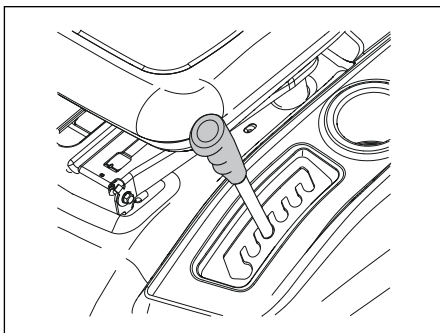
2. Verwijder de ZWARTE kabel van de volledig opgeladen accu.
3. Verwijder de RODE kabel van de 2 accu's.

Het maaidek in de transportstand of maaistand zetten

Het maaidek moet tijdens transport in de transportstand staan.

- Om het product in de transportstand te zetten, trekt u de maaihogtehendel in de richting van de stoel en zet u de hendel in de hoogste maaihogtestand.
- Stel de juiste maaihogte in om het product in de maaistand te zetten. Zie *Maaihogte afstellen op pagina 92*.

Maaihogte afstellen

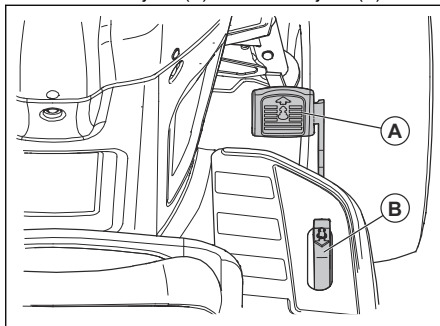


- Trek de hefhandel in de richting van de stoel en plaats deze in 1 van de inkepingen voor de juiste maaihogte.

Vooruit- en achteruitrijden

De rijrichting en de snelheid worden geregeld door de pedalen voor vooruit- en achteruitrijden.

1. Start de motor.
2. Schakel de parkeerrem uit. Zie *De parkeerrem in- en uitschakelen op pagina 93*.
3. Om te gaan rijden, trapt u langzaam het pedaal voor vooruitrijden (A) of achteruitrijden (B) in.



Motor starten als de accu zwak is

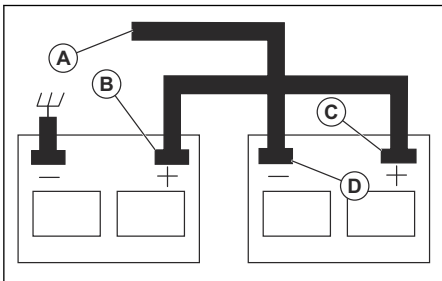


WAARSCHUWING:

Loodzuuraccu's kunnen explosieve gassen genereren. Houd vonken, vuur en rookproducten uit de buurt van accu's. Draag altijd oogbescherming als u in de buurt van accu's werkt.

Als de accu zo leeg is dat de motor niet kan worden gestart, moet de accu worden opgeladen.

Als de startkabels worden gebruikt om de motor in noodgevallen te starten, volg dan de volgende procedures:



1. Sluit de uiteinden van de RODE kabel aan op de PLUSKLEMMEN (+) van beide accu's (B-C).



OPGELET: Let op dat er geen kortsluiting ontstaat tegen het chassis van de machine.

2. Sluit één uiteinde van de ZWARTE kabel aan op de MINKLEM (-) (D) van een volledig opgeladen accu.
3. Sluit het andere uiteinde van de ZWARTE kabel (A) aan op een goede chassismassa, uit de buurt van de brandstoftank en de accu.

Startkabels verwijderen

Let op: Verwijder de startkabels in omgekeerde volgorde van aanbrengen.

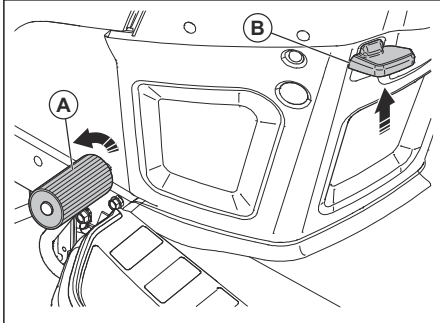
1. Verwijder de ZWARTE kabel van het chassis.

Let op: De pedalen voor vooruit- en achteruitrijden keren terug naar de neutrale positie wanneer ze niet worden ingetrapt.

4. Duw het pedaal voor vooruitrijden of het pedaal voor achteruitrijden meer in om de snelheid te verhogen.

De parkeerrem in- en uitschakelen

1. Om de parkeerrem in te schakelen, trapt u het rempedaal (A) helemaal in tot de laagste stand.



2. Nadat u het rempedaal hebt ingetrapt, trekt u de parkeerremhendel (B) omhoog.
3. Laat het rempedaal los.
4. Zet de parkeerremhendel los.

Let op: Controleer of de parkeerrem het product veilig op zijn plaats houdt.

5. Om de parkeerrem uit te schakelen, trapt u het parkeerrempedaal in.

Product stoppen

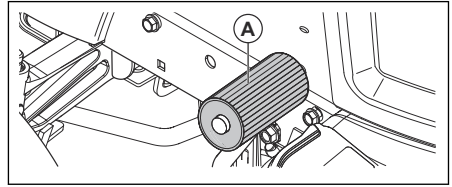


WAARSCHUWING: U moet het product altijd stoppen, de parkeerrem inschakelen en de contactsleutel verwijderen voordat u het product achterlaat.

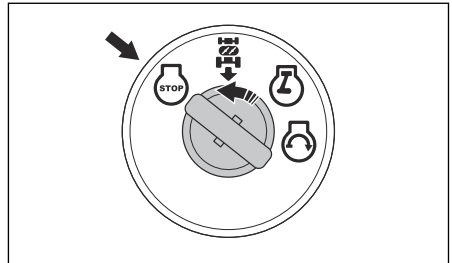


OPGELET: Het uitlaatgas van de warme motor kan het gras beschadigen. Om ervoor te zorgen dat het gras niet verbrand raakt, moet u de motor altijd uitzetten wanneer u de machine op het gras stiltzet.

1. Trap het rempedaal (A) volledig in totdat het product volledig tot stilstand is gekomen.

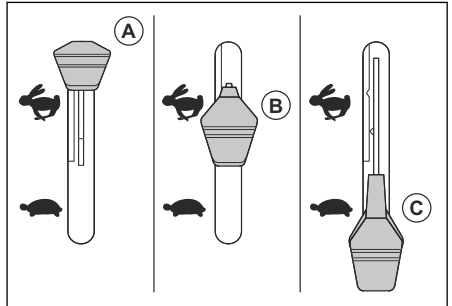


2. Ontkoppel het maaidek. Zie *Het maaidek inschakelen en ontkoppelen op pagina 94*.
3. Zet de gashendel in de langzame stand en laat de motor enkele minuten stationair draaien.
4. Zet het maaidek in de transportstand. Zie *Het maaidek in de transportstand of maaistand zetten op pagina 92*.
5. Draai de contactsleutel naar de stand "STOP" en verwijder de contactsleutel uit het contact.



De gashendel gebruiken

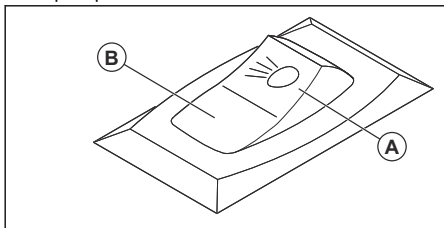
De gashendel past het motortoerental en de rotatiesnelheid van de bladen in het maaidek aan.



- Zet de gashendel in de chokestand (A) wanneer u een koude motor start. Zie *Koude motor starten op pagina 91*.
- Zet de gashendel in de snelle stand (B) om de motor op volle snelheid te laten draaien. Houd de gashendel altijd in de snelle stand wanneer u gras maait.
- Zet de gashendel in de langzame stand (C) om de motor stationair te laten draaien.

De koplamp gebruiken

- Zet de aan/uit-schakelaar in stand (A) om de koplamp in te schakelen.



- Zet de aan/uit-schakelaar in stand (B) om de koplamp uit te schakelen.

Het maaidek inschakelen en ontkoppelen

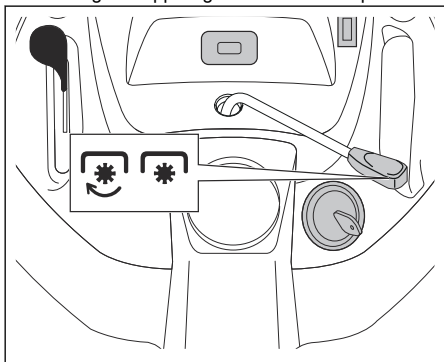


WAARSCHUWING: Gebruik het maaidek alleen als er een deflector of grasopvangbak op de grasuitworp is gemonteerd.

Het product heeft een dodemansregeling (OPC). Wanneer u de stoel verlaat terwijl de motor en het maaidek zijn ingeschakeld, stopt de motor.

Blijf in het midden van de stoel zitten om ervoor te zorgen dat de motor correct werkt en op ruig terrein of heuvels niet stopt.

1. Selecteer de juiste maaihoogte. Zie *Maaihoogte afstellen op pagina 92*.
2. Beweeg de koppelingshendel van het opzetstuk.



- a) Beweeg de koppelingshendel van het opzetstuk naar voren om het maaidek in te schakelen.
- b) Beweeg de koppelingshendel van het opzetstuk naar achteren om het maaidek te ontkoppelen.

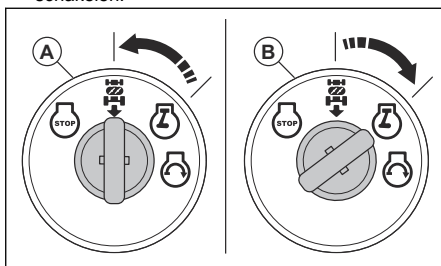
Het achteruitrijstelsysteem (ROS) gebruiken

Let op: Als u probeert achteruit te rijden met het product terwijl het maaidek is ingeschakeld, stopt de motor onmiddellijk. Schakel het ROS in om achteruit te rijden met het product wanneer het maaidek is ingeschakeld.



WAARSCHUWING: Kijk voordat en terwijl u met het product achteruit rijdt naar beneden en achter het product voor de veiligheid van anderen.

1. Draai de contactsleutel linksom naar de stand "ON" (A) van het ROS om het ROS in te schakelen.

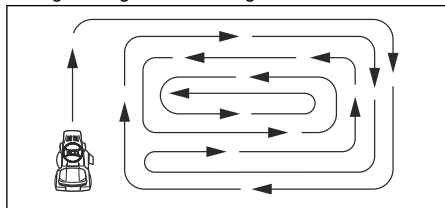


2. Trap het pedaal voor achteruitrijden langzaam in om te beginnen met rijden.
3. Draai de contactsleutel rechtsom naar de stand "ON" (B) om het ROS uit te schakelen.

Een goed maairesultaat verkrijgen

- Voor optimale prestaties adviseren wij u het product te onderhouden volgens het onderhoudsschema. Zie *Onderhoudsschema op pagina 96*.
- Maai geen nat gras. Nat gras kan een slecht maairesultaat opleveren.
- Gebruik geen bandkettingen wanneer u het maaidek aan het product bevestigt.
- Zorg ervoor dat het maaidek waterpas is. Zie *De uitlijning van het maaidek afstellen op pagina 102*.
- Begin met een hoge maaihoogte en verlaag die geleidelijk als het gras hoog is.
- Rijd het product met lage snelheid vooruit als het gras hoog en dik is.
- Gebruik volgas bij het grasmaaien.
- Maai het gras in een onregelmatig patroon.
- Gebruik de linkerkant van het maaidek wanneer u in de buurt van bomen, struiken of paden maait. Het blad snijdt ongeveer 15 mm naar de binnenzijde vanaf de zijkant van het maaidek.

- Wanneer u grote gebieden maait, verplaatst u het product naar rechts tijdens 1 of 2 rondes om het werkgebied. Hierdoor houdt u het uitgeworpen gras uit de buurt van struiken, hekken en opritten. Maai na ongeveer 2 omwentelingen rond het werkgebied in de tegenovergestelde richting.



- Voor het beste maieresultaat maait u het gras regelmatig.

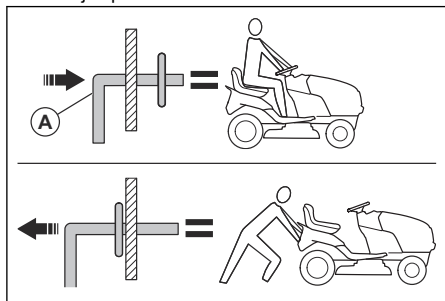
Het product in de vrijloopusmodus zetten

Als het nodig is om het product zonder hulp van de motor te verplaatsen of te slepen, moet u het product in de vrijloopusmodus zetten.



WAARSCHUWING: Zet het product niet in de vrijloopusmodus terwijl het op een helling staat.

- Druk de vrijloophendel (A) in om het product in de vrijloopusmodus te zetten.



- Trek de vrijloophendel naar buiten om het product met de motor te bedienen.

De mulchplug monteren (accessoire)

Het product kan worden gebruikt met een mulchplug.

1. Zet het maaidek in de transportstand. Zie *Het maaidek in de transportstand of maaistand zetten op pagina 92*.
2. Verwijder de grasopvangbak of de achterste deflector (accessoire) als deze is aangebracht.
3. Steek de mulchplug door de achterplaat en in de adapter van de uitworp voor het maaidek.
4. Bevestig de 2 banden aan de openingen in de steunarmen voor de grasopvangbak.
5. Breng de grasopvangbak of de achterste deflector aan.
6. Verwijder de mulchplug in omgekeerde volgorde.

De grasopvangbak (accessoire) installeren

Het product kan worden gebruikt met een grasopvangbak.

1. Zet het maaidek in de transportstand. Zie *Het maaidek in de transportstand of maaistand zetten op pagina 92*.
2. Verwijder de achterste uitworp (accessoire) of de mulchplug (accessoire) als deze is geïnstalleerd.
3. Steek de uitworpstrechtter door de achterplaat en in de adapter van de uitworp voor het maaidek.
4. Installeer de 2 vleugelmoeren.
5. Installeer de grasopvangbak.
6. Verwijder de grasopvangbak in de omgekeerde volgorde.

Onderhoud

Inleiding



WAARSCHUWING: Zorg dat u het hoofdstuk over veiligheid hebt

gelezen en begrepen voordat u onderhoud aan het product gaat uitvoeren.

Onderhoudsschema

Onderhoudsschema		Voor elk gebruik	Met intervallen van 8 uur	Met intervallen van 25 uur	Met intervallen van 50 uur	Met intervallen van 100 uur	Elk seizoen	Vóór opslag
Product	Controleer de remwerking.	X	X					
	Controleer de bandenspanning.	X	X					
	Controleer de dode-mansregeling (OPC).	X						
	Controleer het achteruitrijstelsel (ROS).	X						
	Controleer op losse bevestigingen.	X				X		X
	Controleer de bladen op slijtage en beschadiging.			X ²				
	Smeer het product. Zie <i>Smeerschema op pagina 97</i> .			X				X
	Controleer het accu-niveau.			X				
	Reinig de accu en de klemmen.			X				X
	Verwijder resten van de stuurplaat. Zie <i>Product reinigen op pagina 98</i> .			X				
	Controleer de koelventilator van de transaxle.			X				
	Zorg ervoor dat het maaidek waterpas is.					X		
Controleer de V-riemen.						X		

²

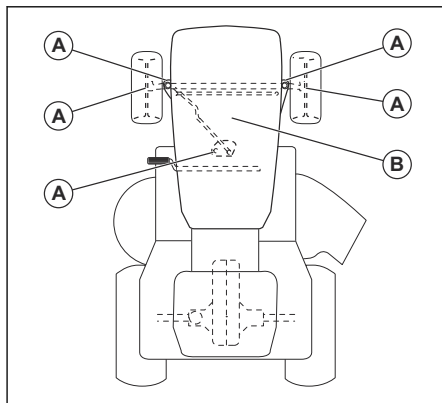
Controleer de bladen vaker als u maait op een plek met zand en aarde.

Onderhoudsschema		Voor elk gebruik	Met intervallen van 8 uur	Met intervallen van 25 uur	Met intervallen van 50 uur	Met intervallen van 100 uur	Elk seizoen	Vóór opslag
Motor	Controleer het motoroliepeil.	X	X					
	Vervang de motorolie en het oliefilter.					X ¹		X
	Maak het luchtfilter schoon.			X ³				
	Reinig het luchtscherm.			X ³				
	Inspecteer de demper en vonkenvangter.				X			
	Vervang het oliefilter.					X ¹		
	Reinig de koelribben van de motor.					X ³		
	Vervang de bougie.					X	X	
	Vervang de papieren cartridge van het luchtfilter.				X ³			
	Brandstoffilter vervangen						X	

Smeerschema



OPGELET: De scharnierpunten met speciale nylon lagere niet smeren. Aan kleverige smeermiddelen kan vuil blijven plakken. Het vuil verkort de levensduur van de speciale nylon lagere. Als het nodig is om de nylon lagere te smeren, gebruik dan slechts een kleine hoeveelheid droog smeermiddel.



A. Algemene smering. Smeer de spilaansluiting, het voorwiellager en de tanden van het stuursysteem.

B. Motorsmering. Zie *De motor smeren op pagina 105*.

¹ Doe dit vaker als u werkt met zware belasting, bij een hoge omgevingstemperatuur of in vuile omstandigheden.

³ Doe dit vaker als u werkt in vuile omstandigheden.

³ Doe dit vaker als u werkt in vuile omstandigheden.

¹ Doe dit vaker als u werkt met zware belasting, bij een hoge omgevingstemperatuur of in vuile omstandigheden.

³ Doe dit vaker als u werkt in vuile omstandigheden.

³ Doe dit vaker als u werkt in vuile omstandigheden.

Tractor

Product reinigen

Gebruik geen tuinslang of hogedrukreiniger om het oppervlak te reinigen. Een uitzondering is de reinigingspoort. Zorg dat er geen water in de motor en de transmissie terecht komt. Water in de motor of transmissie kan de levensduur van de machine verkorten. Gebruik perslucht of een bladblazer om gras, bladeren en afval te verwijderen.

- Verwijder alle ongewenste materialen van de motor, accu, stoel en andere onderdelen van de machine.
- Verwijder vuil van de stuurplaat. Vuil beperkt de bewegingen van de as van het koppelings-/rempedaal, maakt de drijfriem losser en beperkt de voortbeweging.



OPGELET: Vermijd alle kwetsbare punten en beweegbare onderdelen.

- Houd de oppervlakken en wielen altijd vrij van benzine, olie, etc.
- Gebruik een autowax om schade aan de oppervlakken te voorkomen.

De reinigingspoort van het dek gebruiken

Het maaidek heeft een reinigingspoort die deel uitmaakt van het reinigingssysteem voor het maaidek.



WAARSCHUWING: Gebruik het product niet als de reinigingspoort van het dek defect is of ontbreekt. Er bestaat gevaar voor wegslingerende objecten. Vervang een defecte of ontbrekende reinigingspoort van het dek onmiddellijk.

Let op: Bij modellen met beschermkappen bevindt de reinigingspoort zich op de linker beschermkap voor het achterwiel.

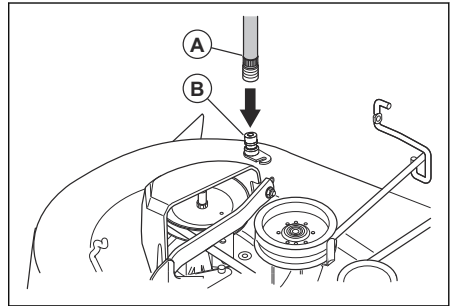
1. Parkeer het product in een schoon gebied op uw gazon dat zich in de buurt van een waterpunt met een tuinslang bevindt.



OPGELET: Positioneer de uitworp van het product niet in de richting van gebouwen of voertuigen.

2. Controleer of het maaidek is ontkoppeld. Zie *Het maaidek inschakelen en ontkoppelen op pagina 94*.
3. Draai de contactsleutel naar de stand STOP om de motor te stoppen.
4. Schakel de parkeerrem in.
5. Verwijder de trechter van de grasopvangbak of de mulchplug indien gemonteerd.

6. Zet de sproeieradapter op het uiteinde van uw tuinslang (A). Zorg ervoor dat de tuinslang volledig is aangesloten op de sproeieradapter.



7. Trek de vergrendelingskraag van de sproeieradapter terug en druk de sproeieradapter op de reinigingspoort (B) van het dek.
8. Trek voorzichtig aan de tuinslang om er zeker van te zijn dat deze goed is aangesloten.
9. Laat de vergrendelingskraag los om de adapter op de reinigingspoort van het dek te bevestigen.
10. Open de watertoevoer.
11. Ga op de stoel zitten en start de motor.



OPGELET: Controleer het gebied opnieuw om er zeker van te zijn dat het vrij is.

12. Zet de gashendel in de snelle stand. Zie *De gashendel gebruiken op pagina 93*.
13. Schakel het maaidek in en laat het werken totdat het maaidek schoon is. Zie *Het maaidek inschakelen en ontkoppelen op pagina 94*.
14. Ontkoppel het maaidek. Zie *Het maaidek inschakelen en ontkoppelen op pagina 94*.
15. Draai de contactsleutel naar de stand STOP om de motor te stoppen.
16. Stop de watertoevoer.
17. Trek de vergrendelingskraag van de sproeieradapter terug en koppel de sproeieradapter los van de reinigingspoort van het dek.
18. Zet de machine op een droog gedeelte.
19. Schakel het maaidek in en laat het werken totdat het maaidek droog is.

De kabel van de gashendel afstellen

De gashendel wordt in de fabriek ingesteld en hoeft niet te worden afgesteld. Als afstelling noodzakelijk is, raadpleegt u de handleiding van de motor.

De vergrendelingen en relais inspecteren

Let op: Losse of beschadigde bedrading kan ertoe leiden dat uw machine niet naar behoren werkt, stopt met werken of niet meer wil starten.

- Inspecteer de bedrading.

Het lampje van de koplamp vervangen

1. Open de motorkap.
2. Draai de lamphouder iets naar links en trek hem uit de houder achter het rooster.
3. Vervang de lamp in de lamphouder.
4. Duw de lamphouder in de houder achter het rooster.
5. Draai de lamphouder iets naar rechts om hem te monteren.
6. Sluit de motorkap.

De banden controleren

Let op: Om lekke en langzaam leeglopende banden te repareren, kunt u bij uw lokale onderdelendealer een afdichtmiddel voor banden, een zgn. bandensealant aanschaffen. Bandensealant voorkomt ook uitdroging van de banden en corrosie van de velgen.

- Zorg ervoor dat de bandenspanning in alle banden correct is (zie de zijkant van de banden voor de correcte spanning in psi).
- Houd de banden vrij van benzine, olie of bestrijdingsmiddelen die het rubber kunnen aantasten.
- Houd de banden uit de buurt van stronken, stenen, kuilen, scherpe voorwerpen en andere gevaarlijke objecten die de banden kunnen beschadigen.

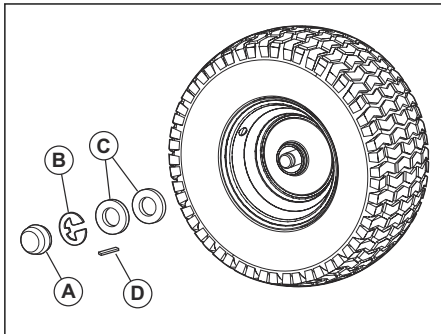
De banden repareren

1. Breng de vooras omhoog en ondersteun deze op een veilige manier.



OPGELET: Hef en ondersteun één as per keer.

2. Verwijder de stofkap (A), de E-clip (B), de ring (C) en de rechthoekige spie (D).



Let op: Er zijn alleen rechthoekige spieën op de achterwielen.

3. Verwijder het wiel van de as.
4. Verwijder de band van het wiel.
5. Repareer de band.

Let op: Gebruik bandensealant om gaten in de band af te dichten. Bandensealant voorkomt ook uitdroging van de banden en corrosie van de velgen.

6. Monteer de band op het wiel.
7. Breng het wiel, de ring, de rechthoekige spie en de E-clip aan op de as. Zorg ervoor dat de E-clip correct in de groef op de as is aangebracht.
8. Breng de stofkap aan.

De V-riemen inspecteren

De riemen kunnen niet worden afgesteld.

- Inspecteer de V-riemen na elke 100 bedrijfsuren op aantasting en slijtage.
- Vervang de V-riemen als ze beginnen te slippen omdat ze te zeer versleten zijn.

Onderhoud uitvoeren aan de koelventilator van de transaxle



OPGELET: Reinig de ventilator of transmissie niet terwijl de motor draait of de transmissie heet is.



OPGELET: Gebruik geen hogedrukspuit of stoomreiniger. Water kan in lagers en elektrische aansluitingen dringen en corrosie veroorzaken die tot schade aan het product kan leiden.

Om ervoor te zorgen dat de transmissie koel blijft, moeten de transmissieventilator en de koelribben schoon zijn.

- Gebruik eerst een borstel om te reinigen, voordat u water gebruikt. Verwijder maaisel en vuil op en rond de ventilator en koelribben van de transaxle.
- Inspecteer de koelventilator om er zeker van te zijn dat de ventilatorschoepen schoon en onbeschadigd zijn.

De vloeistof van de aandrijflijnpomp inspecteren

- Zorg ervoor dat de aandrijflijnpomp geen vloeistof lekt.
- Neem contact op met het dichtstbijzijnde erkende servicecentrum of servicepunt als de aandrijflijnpomp vloeistof lekt.

Het toespoor en de wielvlucht van de voorwielen afstellen

Het toespoor en de wielvlucht van de voorwielen zijn correct ingesteld in de fabriek. Het toespoor en de wielvlucht van de voorwielen kunnen niet worden afgesteld.

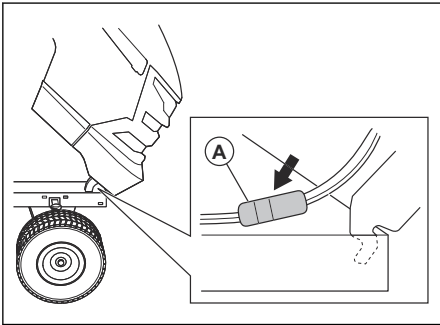
- Neem contact op met een erkend servicecentrum als het in de fabriek afgestelde toespoor of de wielvlucht van de voorwielen is verlopen.

De zekering vervangen

Dit product is voorzien van een 20A-autozekering. De zekeringhouder bevindt zich achter het dashboard.

1. Houd de zekeringhouder vast en trek de doorgebrande zekering eruit.
2. Plaats een nieuwe zekering in de zekeringhouder.

De motorkap en grille verwijderen en monteren

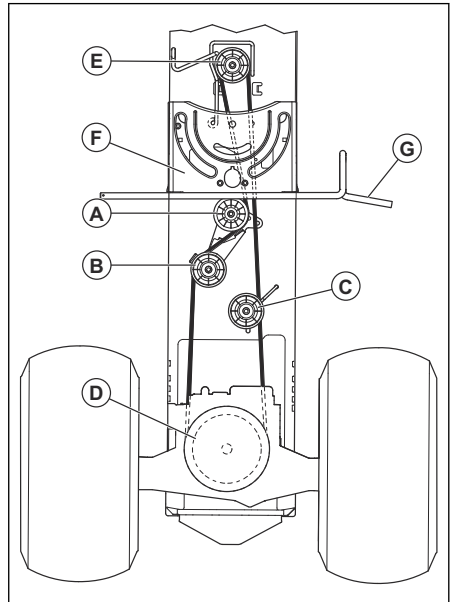


1. Til de motorkap eraf.
2. Koppel de bedragsstekker (A) van de koplamp los.
3. Ga voor de zitmaaier staan. Houd de motorkap aan de zijkanten vast. Kantel de motorkap in de richting van de motor en til de motorkap op om deze van het product te verwijderen.
4. Monteer in omgekeerde volgorde van verwijderen.

De aandrijfriem vervangen

1. Parkeer de machine op een vlakke ondergrond en schakel de parkeerrem in. Zie *De parkeerrem in- en uitschakelen op pagina 93*.
2. Verwijder het maaidek. Zie *Het maaidek verwijderen en monteren op pagina 102*.

3. Verwijder de aandrijfriem van de poelie (A) en de koppelingspoelie (B).



4. Haal de aandrijfriem van de spanpoelie (C).
5. Trek de aandrijfriem naar achteren en verwijder hem van de ingaande transmissiepoelie (D) en naar boven de koelventilatorschoepen.
6. Verwijder de aandrijfriem van de motorpoelie (E) op de motoras.
7. Beweeg de aandrijfriem naar achteren en naar boven de stuurplaat (F) om de aandrijfriem van het product te verwijderen.
8. Breng een nieuwe aandrijfriem aan in de omgekeerde volgorde van verwijderen. Zorg ervoor dat u de aandrijfriem boven op de stuursteunplaat (F) en de pedaal van de koppeling/rem (G) monteert.

Batterij

Accuonderhoud

Let op: De accu van uw machine is onderhoudsvrij. Maak de afdekkingen of kappen niet open en verwijder ze niet.

Let op: Laad de accu regelmatig op met een acculader voor auto's om de levensduur van de accu te verlengen.

- Houd de accu en de klemmen schoon.
- Zorg ervoor dat alle bouten van de accu en de kabels goed zijn vastgedraaid.
- Houd de kleine ventilatie-openingen in de accu open.

- Laad de accu 1 uur lang op met 6-10 ampère.

De accu en de klemmen reinigen

Corrosie en vuil op de accu en klemmen kunnen ertoe leiden dat de accu ontlaaft.

1. Verwijder de klembescherming.
2. Koppel de ZWARTE accukabel los.
3. Koppel de RODE accukabel los en verwijder de accu uit de machine.
4. Besproei de accu met water en laat hem drogen.
5. Reinig de klemmen en accukabeluiteinden met een staalborstel.
6. Smeer de klemmen in met vet of gelijkwaardig.
7. Plaats de accu. Zie *Accu vervangen op pagina 101*.

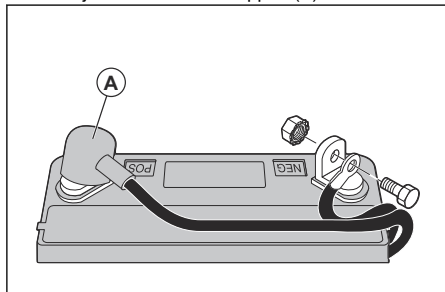
Accu vervangen

De accu is onder de stoel geplaatst.



WAARSCHUWING: Risico op elektrische schok en brandwonden. Draag geen metalen polsbandjes of andere metalen accessoires. Wanneer metalen voorwerpen de accupolen raken, kan dit brandwonden, elektrische schokken en kortsluiting van de accu veroorzaken.

1. Stop het product. Zie *Product stoppen op pagina 93*.
2. Klap de stoel naar voren.
3. Verwijder de beschermkappen (A) van de klem.



4. Verwijder de bout en de moer om de zwarte (negatieve) accukabel los te maken van de negatieve (-) accupool.



WAARSCHUWING: Risico op elektrische schok en brandwonden. De zwarte (negatieve) accukabel moet worden losgekoppeld voordat u de rode (positieve) accukabel losmaakt.

5. Verwijder de bout en de moer om de rode (positieve) accukabel los te maken van de pluspool (+).

6. Verwijder de accu voorzichtig uit de machine.
7. Installeer dan een nieuwe accu.
8. Sluit de rode (positieve) accukabel aan op de plusklem (+) en draai de bout en moer vast.



WAARSCHUWING: Risico op elektrische schok en brandwonden. De rode (positieve) accukabel moet worden aangesloten op de pluspool (+) voordat de zwarte (negatieve) accukabel wordt aangesloten op de minpool (-) om letsel en onbedoelde aarding te voorkomen.

9. Sluit de zwarte (negatieve) kabel aan op de minpool (-) en draai de bout en moer vast.
10. Breng de beschermkappen op de polen aan.
11. Klap de stoel naar achteren.

Startkabels aansluiten



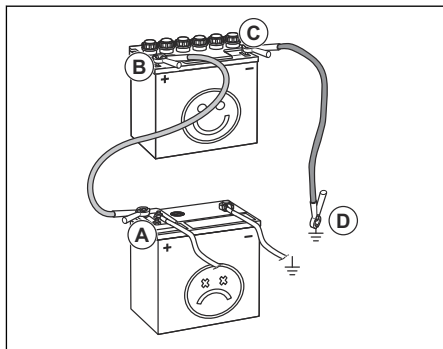
WAARSCHUWING:

Explosiegevaar door explosief gas dat afkomstig is van de accu. Sluit de negatieve aansluitklem van de opgeladen accu niet aan op of in de buurt van de negatieve aansluitklem van de zwakke accu.



OPGELET: Gebruik de accu van uw product niet om andere voertuigen te starten.

1. Sluit het ene uiteinde van de rode accukabel aan op de POSITIEVE (+) accupool (A) van de zwakke accu.



2. Sluit het andere uiteinde van de rode accukabel aan op de POSITIEVE (+) accupool (B) van de opgeladen accu.



WAARSCHUWING:

Zorg dat de uiteinden van de rode accukabel het chassis niet raken. Dit leidt tot kortsluiting.

- Sluit het ene uiteinde van de zwarte accukabel aan op de NEGATIEVE (-) accupool (C) van de opgeladen accu.
- Sluit het andere uiteinde van de zwarte accukabel aan op een CHASSISMASSA (D), uit de buurt van de brandstoftank en de accu.

Startkabels verwijderen

Let op: Verwijder de startkabels in omgekeerde volgorde van aanbrengen.

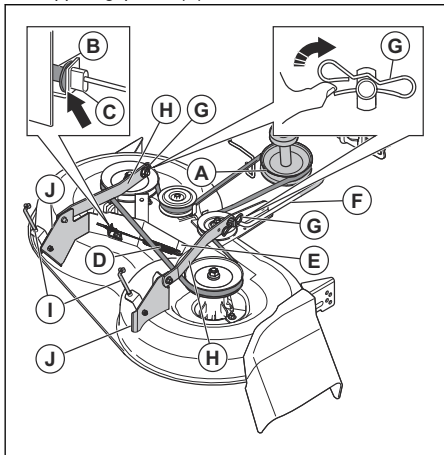
- Verwijder de ZWARTE kabel van het chassis.
- Verwijder de ZWARTE kabel van de volledig opgeladen accu.
- Verwijder de RODE kabel van de 2 accu's.

Maaidek

Het maaidek verwijderen en monteren

Let op: Als een ander accessoire dan het maaidek wordt gebruikt, moeten de voorste stang en achterste hefstanden van het product worden verwijderd. Ook moet de veer van de koppelingkabel in de kabelgeleider aan de voorkant van het onderste dashboard worden geplaatst.

- Ontkoppel het maaidek. Zie *Het maaidek inschakelen en ontkoppelen op pagina 94*.
- Stop het product. Zie *Product stoppen op pagina 93*.
- Zet het maaidek in de laagste maaistand.
- Verwijder de aandrijfriem van de koppelingspoelie (A).



- Verwijder de koppelingkabel (B), druk de lip (C) in en verwijder de koppelingkabel uit de steun.
- Verwijder voorzichtig de veer (D) van de koppelingkabel van de geleiderolarm (E).

- Maak de voorste stang (F) los van het maaidek en verwijder de borgveer en ring.
- Verwijder de klemmen (G) en koppel de ophangarmen (H) los van de chassispennen.
- Koppel de achterste hefstanden (I) los van de achterste steunen (J) van het maaidek aan beide zijden van het maaidek.
- Verwijder het maaidek van het product.
- Bevestig het maaidek in omgekeerde volgorde. De zijuitworp moet zich aan de rechterkant van het product bevinden.

Let op: De ophangarmen moeten in de voorste stand staan voordat u het maaidek onder het product beweegt.

De uitlijning van het maaidek afstellen

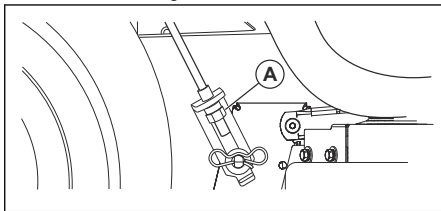
Maaidek visueel afstellen in de breedte

Als de maaihogte aan de linker- en rechterkant van het product niet gelijk is, kan de maaihogte worden afgesteld. Stel de maaihogte af aan de kant met de lagere maaihogte.

- Controleer of de banden de juiste spanning hebben.
- Parkeer het product op een vlakke ondergrond.
- Ga naar de kant van het maaidek met de lagere maaihogte.

Let op: Sommige modellen kunnen alleen worden afgesteld aan de linkerkant.

- Stel de maaihogte af met een 3/4"-sleutel.



Let op: Met elke volledige slag van de hefstelmoer verandert de hoogte van het maaidek 4,7 mm.

- Draai de hefstelmoer (A) naar links om het maaidek te verlagen.
 - Draai de hefstelmoer (A) naar rechts om het maaidek te verhogen.
- Maai wat gras en controleer resultaat. Stel af indien nodig.

Het maaidek in de breedte nauwkeurig afstellen

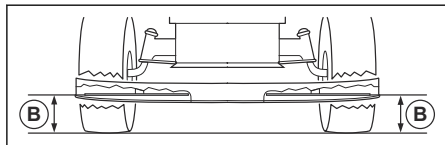
- Controleer of de banden de juiste spanning hebben.
- Parkeer het product op een vlakke ondergrond.

3. Zet het maaidek in de transportstand. Zie *Het maaidek in de transportstand of maaistand zetten op pagina 92*.
4. Draai de bladuiteinden om ze aan weerskanten uit te lijnen met het maaidek.



WAARSCHUWING: De bladen op het maaidek zijn scherp en kunnen letsel veroorzaken. Draag veiligheidshandschoenen.

5. Meet de afstand (B) vanaf de onderste rand van het blad tot de grond aan de linker- en rechterkant.

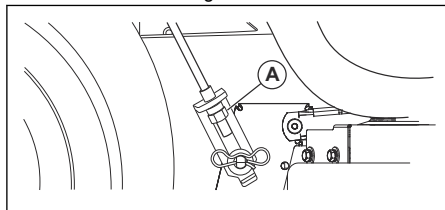


Let op: De afstand moet aan beide kanten hetzelfde zijn.

6. Stel de maaihogte af met een 3/4"-sleutel.

Let op: Met elke volledige slag van de hefstelmoer verandert de maaihogte 4,7 mm.

- a) Draai de hefstelmoer (A) naar links om het maaidek te verlagen.



- b) Draai de hefstelmoer (A) naar rechts om het maaidek te verhogen.

7. Meet de afstand opnieuw. Stel af totdat de 2 zijden gelijk zijn.
8. Maai wat gras en controleer resultaat. Stel af indien nodig.

Het maaidek in de lengte afstellen

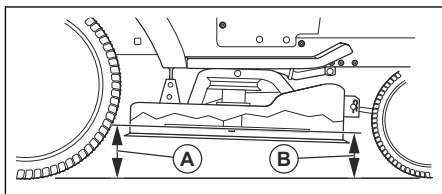
Het maaidek moet in de breedte recht zijn geplaatst voordat u het in de lengte afstelt. Zie *Maaidek visueel afstellen in de breedte op pagina 102*.

1. Controleer of de banden de juiste spanning hebben.
2. Parkeer het product op een vlakke ondergrond.
3. Zet het maaidek in de transportstand. Zie *Het maaidek in de transportstand of maaistand zetten op pagina 92*.
4. Draai de bladen totdat ze recht naar voren wijzen.



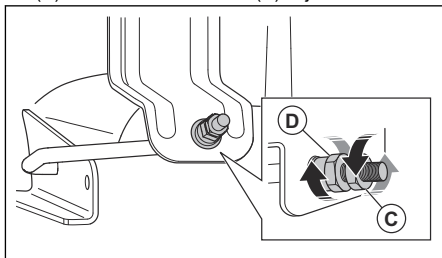
WAARSCHUWING: De bladen op het maaidek zijn scherp en kunnen letsel veroorzaken. Draag veiligheidshandschoenen.

5. Meet de afstand tussen de grond en het achterste (A) en voorste (B) uiteinde van het blad.



Let op: Voor de beste maieresultaten dienen de bladen zodanig te worden afgesteld dat het voorste uiteinde 3,1-12,7 mm lager is dan het achterste uiteinde als het maaidek zich in de hoogste stand bevindt.

6. Stel de voorkant van het product af.
7. Draai met een sleutel van 11/16" de tegenmoer (C) los om de hefstelmoer (D) vrij te zetten.



8. Stel de hoogte van het maaidek af met een 3/4"-sleutel.

Let op: Met elke volledige slag van de hefstelmoer verandert de hoogte van het maaidek 3,1 mm.

- a) Draai de hefstelmoer linksom om het maaidek te verlagen.
 - b) Draai de hefstelmoer rechtsom om het maaidek te verhogen.
9. Meet de afstand voor en achter opnieuw.
 10. Pas aan totdat de voorkant van het blad 3,1-12,7 mm lager is dan de achterkant.
 11. Houd de hefstelmoer op zijn plaats met de sleutel en haal de contramoer aan.

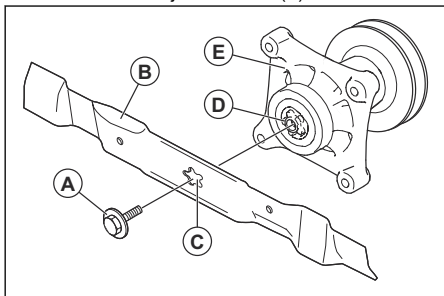
Messen vervangen

Voor de beste resultaten houdt u de messen van de maaiër scherp. Vervang verbogen of beschadigde messen.



OPGELET: Gebruik alleen vervangende messen die zijn goedgekeurd door de fabrikant. Het is gevaarlijk messen te gebruiken die niet zijn goedgekeurd door de fabrikant van de machine. Dit kan schade aan de machine veroorzaken en ertoe leiden dat uw garantie komt te vervallen.

1. Zet het maaidek in de transportstand. Zie *Het maaidek in de transportstand of maaistand zetten op pagina 92*.
2. Verwijder de bout (A) door deze linksom te draaien en verwijder het blad (B).



WAARSCHUWING: De bladen op het maaidek zijn scherp en kunnen letsel veroorzaken. Draag veiligheidshandschoenen.

3. Installeer het nieuwe of geslepen blad en de bout.



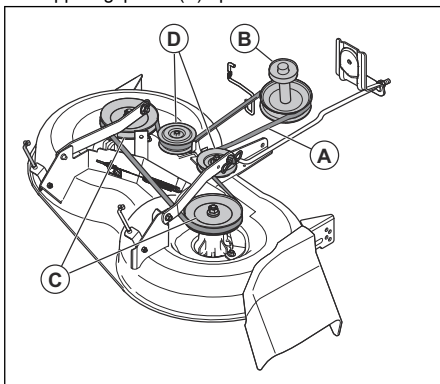
OPGELET: Het middelste gat (C) in het blad moet uitgelijnd worden met de ster (D) op de asseheid (E).

4. Draai de bout aan met een aanhaalmoment van 62-75 Nm.

De aandrijfriem van het maaidek verwijderen

1. Parkeer de machine op een vlakke ondergrond en schakel de parkeerrem in. Zie *De parkeerrem in- en uitschakelen op pagina 93*.
2. Verwijder het maaidek. Zie *Het maaidek verwijderen en monteren op pagina 102*.
3. Verwijder het vuil en gras rondom de assen en van de bovenkant van het maaidek.

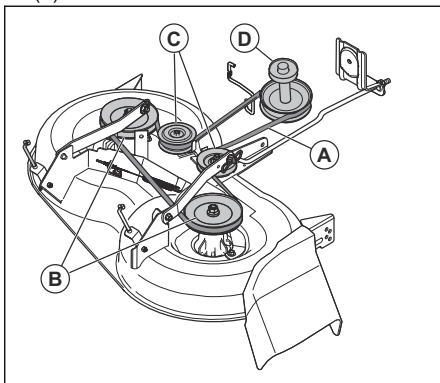
4. Verwijder de aandrijfriem (A) van de koppelingspoelie (B) op de motoras.



5. Verwijder de aandrijfriem van de aspoelies (C) en de geleidepoelies (D).

De aandrijfriem van het maaidek aanbrengen

1. Breng de aandrijfriem (A) aan rond de aspoelies (B).



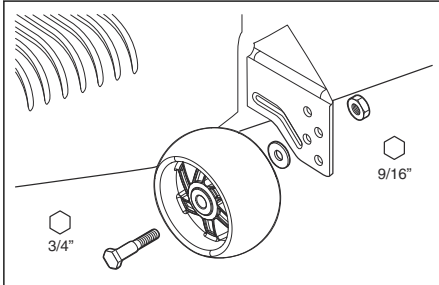
OPGELET: Plaats de aandrijfriem correct in alle groeven op de maaidekpoelies. De aandrijfriem kan beschadigd raken als deze niet correct is gemonteerd.

2. Breng de aandrijfriem aan rond de geleidepoelies (C).
3. Breng de aandrijfriem aan rond de koppelingspoelie (D) op de motoras.
4. Installeer het maaidek op het product. Zie *Het maaidek verwijderen en monteren op pagina 102*.
5. Zet het maaidek in de transportstand. Zie *Het maaidek in de transportstand of maaistand zetten op pagina 92*.

De anti-scalp-rollen afstellen

De anti-scalp-rollen zorgen dat het maaidek in de juiste positie op de grond blijft en dat scalperen op de meeste soorten terrein wordt voorkomen. De anti-scalp-rollen zijn goed afgesteld als ze iets van de grond staan wanneer het maaidek op de gewenste maaahoogte staat.

1. Parkeer het product op een vlakke ondergrond en schakel de motor uit.
2. Stel het product op de juiste maaahoogte af. Zie *Maaahoogte afstellen op pagina 92*.
3. Verwijder de moer, de bout, de ring en de anti-scalp-rol.

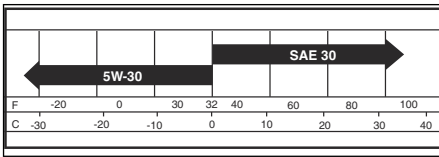


4. Breng de anti-scalp-rol, de bout, de ring en de moer in de juiste positie aan.
5. Stel alle anti-scalp-rollen af en plaats ze volgens dezelfde procedure.

Motor

De motor smeren

Gebruik alleen reinigingsolie van hoge kwaliteit, voorzien van de API-onderhoudsclassificatie SJ-SN. De SAE-viscositeitsgraad van de olie verwijst naar de juiste bedrijfstemperatuur.



Let op: Multi-viscositeitsoliën (5W30, 10W30, etc.) laten de motor makkelijker starten bij koud weer, maar leiden tot een groter olieverbruik wanneer ze gebruikt worden bij temperaturen boven 0 °C. Controleer het motoroliepeil regelmatig om mogelijke motorschade door een laag oliepeil te voorkomen.

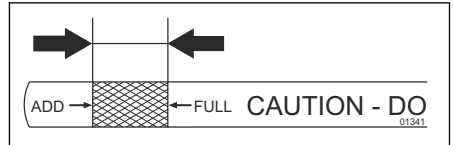
- Vervang de olie telkens na 50 bedrijfsuren. Als de machine niet meer dan 50 bedrijfsuren in een jaar wordt gebruikt, vervangt u de olie ten minste 1 keer per jaar.
- Controleer het oliepeil in het carter voordat u de motor start en telkens na acht (8) bedrijfsuren.

- Draai de olievuldp/peilstok vast telkens als u het oliepeil hebt gecontroleerd.

Het motoroliepeil controleren

De motor in het product is gevuld met motorolie voor omgevingstemperaturen hoger dan 0 °C. Gebruik bij omgevingstemperaturen lager dan 0 °C de juiste motorolie om het starten van het product te vergemakkelijken. Zie *Technische gegevens op pagina 114*.

1. Parkeer het product op een vlakke ondergrond.
2. Verwijder de olievuldp met de peilstok en veeg de peilstok schoon met een doek.
3. Plaats de peilstok in de olievlubuis. Draai de olievuldp niet op de olievlubuis.
4. Verwijder de peilstok. Gebruik de markeringen op de peilstok om het motoroliepeil te controleren. Indien nodig vult u motorolie bij tot aan de markering "FULL" op de peilstok. Vul nooit te veel motorolie bij.



5. Plaats de peilstok in de olievlubuis. Zorg ervoor dat u de olievuldp volledig is vastgedraaid.

Let op: Voor het verversen van de motorolie, zie *De motorolie verversen op pagina 105*.

De motorolie verversen

Als de motor koud is, moet u de motor starten en 1-2 minuten laten draaien voordat u de motorolie aftapt. Hierdoor wordt de motorolie warm en is deze sneller af te tappen.



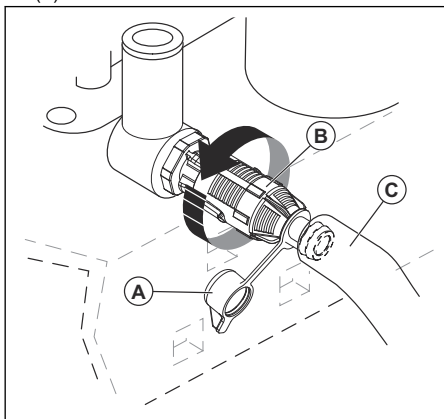
WAARSCHUWING: Laat de motor niet langer dan 1 tot 2 minuten draaien voordat u de motorolie aftapt. De motorolie wordt zeer heet en kan brandwonden veroorzaken. Laat de motor afkoelen voordat u de motorolie aftapt.



WAARSCHUWING: Draag veiligheidshandschoenen. Als u motorolie morst op uw lichaam, was dat dan af met water en zeep.

1. Plaats het product op een vlakke ondergrond en schakel het product uit. Zie *Product stoppen op pagina 93*.
2. Verwijder al het vuil rond de olietankdop.
3. Verwijder de olietankdop en peilstok.

4. Verwijder de gele dop (A) van de olieaftapkraan (B).



5. Installeer de olieaftapslang (E) op de olieaftapkraan.
6. Plaats een opvangbak onder de motor om de motorolie op te vangen en plaats het andere uiteinde van de olieaftapslang in de opvangbak.
7. Druk de olieaftapkraan in en draai hem linksom om hem te ontgrendelen.
8. Trek de aftapkraan naar buiten om hem te openen.
9. Laat de motorolie in de opvangbak lopen.
10. Druk de olieaftapkraan in en draai hem rechtsom om hem te sluiten en te vergrendelen.
11. Verwijder de olieaftapslang.
12. Installeer de gele dop.
13. Vul bij met nieuwe olie via de olievulslang en controleer het motoroliepeil. Zie *Het motoroliepeil controleren op pagina 105*.
14. Breng de olietankdop en peilstok aan.

Let op: Voor veilig afvoeren van afgewerkte motorolie, zie *Afvoeren op pagina 114*.

Het motoroliefilter vervangen



WAARSCHUWING: Draag veiligheidshandschoenen. Als u motorolie morst op uw lichaam, was dat dan af met water en zeep.

1. Tap de motorolie af uit de olietank. Zie *De motorolie verversen op pagina 105*.
2. Draai het motoroliefilter linksom om dit te verwijderen.
3. Smeer de rubberen afdichting op het nieuwe oliefilter in met een beetje verse motorolie.

4. Om het nieuwe oliefilter aan te brengen, draait u het filter rechtsom tot de rubberen afdichting op zijn plaats zit, waarna u het filter nog een halve slag verder draait.
5. Vul de olietank met verse motorolie. Zie *De motorolie verversen op pagina 105*.
6. Start de motor en laat deze gedurende drie minuten stationair draaien.
7. Schakel de motor uit en controleer het oliefilter op lekkage.

Let op: Als er sprake is van olie lekkage, draait u het oliefilter verder vast.

8. Vul de olietank bij met meer motorolie om de motorolie aan te vullen die het nieuwe oliefilter heeft opgenomen.

Het luchtfilter reinigen

Een vuil luchtfilter zorgt ervoor dat de motor niet goed draait. Reinig het luchtfilter vaker in stoffige omstandigheden.

Het luchtscherm reinigen

Let op: Het luchtscherm moet vrij van vuil worden gehouden, om te voorkomen dat er motorschade ontstaat door oververhitting.

- Reinig het luchtscherm met een draadborstel of perslucht om vuil te verwijderen.

Het koelsysteem van de motor onderhouden

Let op: Een verstopt grasscherm, vuile of volle koelribben en/of een verwijderde behuizing van de ventilator, etc. kunnen de motor doen oververhitten en motorschade veroorzaken.

- Zorg ervoor dat het grasscherm, de koelribben en andere externe oppervlakken van de motor altijd schoon zijn.
- Telkens na 100 bedrijfsuren (vaker in extreem stoffige en vuile omstandigheden) verwijdert u de behuizing van de ventilator en andere onderdelen van het koelsysteem van de motor. Reinig de koelribben en externe oppervlakken indien nodig. Zorg ervoor dat de onderdelen van het koelsysteem van de motor correct zijn geïnstalleerd.

De bougies vervangen

Het type bougie en de elektrodeafstand worden weergegeven in *Technische gegevens op pagina 114*.

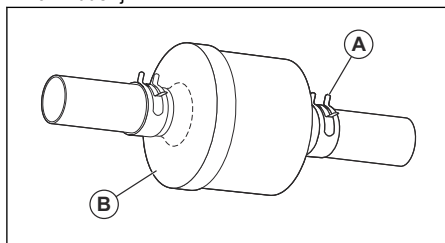
- Vervang de bougies aan het begin van elk maaiseizoen of telkens na 100 bedrijfsuren.

Het inline-brandstoffilter vervangen

Let op: Vervang het inline-brandstoffilter ten minste één keer per jaar.

Vervang het inline-brandstoffilter als het verstopt is en de brandstofstroom naar de carburateur belemmerd wordt.

1. Laat de motor afkoelen.
2. Verwijder het inline-brandstoffilter (B) en dicht de uiteinden van de brandstofleiding af met pluggen.
3. Breng het nieuwe inline-brandstoffilter op zijn plaats in de brandstofleiding, met de pijl in de richting van de carburateur.
4. Zorg dat de brandstofleiding niet lekt en dat de klemmen (A) in de juiste stand staan.
5. Als u brandstof morst, reinigt u de machine onmiddellijk.



Lucht uit de transmissie verwijderen



OPGELET: Schakel de vrijloophendel niet in of uit wanneer de motor draait.

Om goede prestaties te kunnen blijven leveren, verwijdert u de lucht in de transmissie voordat u de machine voor de eerste keer gebruikt.

Als u de transmissie vervangt, verwijdert u de lucht in de nieuwe transmissie voordat u de machine gebruikt.

1. Parkeer de machine op een vlakke ondergrond die vrij en open is.
2. Stop de motor en schakel de parkeerrem in.
3. Plaats de vrijloopregeling in de uitgeschakelde stand. Zie *Transport op pagina 113*.
4. Start de motor. Zodra de motor draait, zet u de gashendel in de langzame stand en vervolgens schakelt u de parkeerrem uit.
5. Voer de volgende stappen 3 keer uit.

Let op: Tijdens deze procedure kunnen de aandrijfwielen bewegen.

- a) Trap het pedaal voor vooruitrijden naar de volledige voorwaartse positie en houd het 5 seconden ingedrukt voordat u het pedaal loslaat.
 - b) Trap het pedaal voor achteruitrijden naar de volledige achterwaartse positie en houd het 5 seconden ingedrukt voordat u het pedaal loslaat.
6. Stop de motor en schakel de parkeerrem in.
 7. Plaats de vrijloopregeling in de ingeschakelde stand. Zie *Transport op pagina 113*.
 8. Ga op de stoel zitten en start de motor. Zodra de motor draait, zet u de gashendel in de stand voor half toerental.
 9. Schakel de parkeerrem uit.
 10. Rijd ongeveer 1,5 m (5ft) vooruit en daarna 1,5 m (5 ft) achteruit. Voer deze procedure 3 keer uit.

Probleemoplossing

Probleem	Oorzaak	Actie
De motor start niet.	Geen brandstof in de brandstoftank.	Vul de brandstoftank.
	De gashendel staat niet in de juiste stand.	Raadpleeg de startinstructies.
	De bougie is beschadigd.	Vervang de bougie.
	Het luchtfilter is vuil.	Reinig of vervang het luchtfilter.
	Het brandstoffilter is verstopt.	Vervang het brandstoffilter.
	Er is water in de brandstof.	Tap alle brandstof in de brandstoftank en de carburateur af. Vul de brandstoftank met nieuwe brandstof en vervang het brandstoffilter.
	De draden zitten los of zijn beschadigd.	Controleer alle draden.
	De motorkleppen zijn niet correct afgesteld.	Neem contact op met een erkende servicewerkplaats.
	De motor is 'verzopen'.	Wacht 2-3 minuten voordat u de motor opnieuw probeert te starten.
	Er zit verkeerde brandstof in de brandstoftank.	Vervang de brandstof in de brandstoftank.
De startmotor laat de motor niet aanslaan.	De accu is te zwak.	Laad de accu op.
	De koppelingshendel van het opzetstuk is ingeschakeld.	Schakel de koppelingshendel van het opzetstuk uit.
	Het koppelings-/rempedaal is niet volledig ingetrapt.	Trap het koppelings-/rempedaal volledig in wanneer u de motor start.
	Slecht contact bij de kabelklemmen op de accupolen.	Controleer de accu-aansluitingen.
	De hoofdzekering is beschadigd.	Vervang de hoofdzekering.
	Het contactslot is beschadigd.	Neem contact op met een erkende servicewerkplaats.
	De veiligheidsconnector voor het koppelings-/rempedaal is beschadigd.	Neem contact op met een erkende servicewerkplaats.
	De startmotor of de solenoïde is beschadigd.	Neem contact op met een erkende servicewerkplaats.
De dodemansregeling (OPC) werkt niet goed.	Controleer alle draden, schakelaars en aansluitingen. Indien dit niet correct is, neemt u contact op met een erkende servicewerkplaats. Gebruik geen product met een dodemansregeling die niet correct werkt.	

Probleem	Oorzaak	Actie
De motor loopt niet soepel.	De bougie is beschadigd.	Vervang de bougie.
	De carburateur is niet correct afgesteld.	Neem contact op met een erkende servicewerkplaats.
	Het luchtfilter is vuil.	Reinig of vervang het luchtfilter.
	De terugslagklep op de brandstof-tankdop is beschadigd.	Vervang de tankdop.
	De brandstoftank is bijna leeg.	Vul de brandstoftank met brandstof.
	Er is water in de brandstof.	Tap alle brandstof in de brandstoftank en de carburateur af. Vul de brandstoftank met nieuwe brandstof en vervang het brandstoffilter.
	De choke is ingeschakeld en de motor is warm.	Schakel de choke uit.
	Het brandstofmengsel of het brandstoftype is onjuist.	Tap alle brandstof in de brandstoftank en de carburateur af. Vul de brandstoftank met het juiste brandstofmengsel of brandstoftype.
	Het brandstoffilter is verstopt.	Vervang het brandstoffilter.
	De bougie is beschadigd.	Vervang de bougie.
	Vuil in de carburateur of brandstofleiding.	Reinig de carburateur en brandstofleidingen.
De motor wordt te heet.	De motor is overbelast.	Verlaag de werklust.
	De luchtinlaat of de koelribben op de motor zijn geblokkeerd.	Reinig de luchtinlaat en de koelribben van de motor.
	De koelventilator is beschadigd.	Neem contact op met een erkende servicewerkplaats.
	Het motoroliepeil is te laag.	Controleer het motoroliepeil. Vul indien nodig motorolie bij.
	Het contactslot is beschadigd.	Neem contact op met een erkende servicewerkplaats.
	De bougie is beschadigd.	Vervang de bougie.

Probleem	Oorzaak	Actie
De machine verliest vermogen.	Het product wordt gebruikt met een te hoog toerental vooruit of achteruit bij het maaien van gras.	Gebruik een lager toerental.
	De gashendel staat in de choke-stand.	Zet de gashendel in de snelle stand.
	Er is ophoping van gras, bladeren of ongewenst materiaal onder het maaidek.	Reinig het maaidek.
	Het luchtfilter is vuil.	Reinig of vervang het luchtfilter.
	Het motoroliepeil is te laag.	Controleer het motoroliepeil. Vul indien nodig motorolie bij.
	De motorolie is vervuild.	Ververs de motorolie.
	De bougie is beschadigd.	Vervang de bougie.
	Het brandstoffilter is vervuild.	Vervang het brandstoffilter.
	Er zit verkeerde brandstof in de brandstoftank.	Vervang de brandstof in de brandstoftank.
	Er is water in de brandstof.	Tap alle brandstof in de brandstoftank en de carburateur af. Vul de brandstoftank met nieuwe brandstof en vervang het brandstoffilter.
	De bougiekabel zit los.	Sluit de bougiekabel aan en zet hem vast.
	De luchtinlaat of de koelribben op de motor zijn geblokkeerd.	Reinig de luchtinlaat en de koelribben van de motor.
	De demper is verstopt of beschadigd.	Reinig of vervang de demper.
	Er is sprake van losse of beschadigde draden.	Controleer alle draden.
	De motorkleppen zijn niet correct afgesteld.	Neem contact op met een erkende servicewerkplaats.
Het product trilt.	De messen zitten los.	Haal de bouten op de bladen aan.
	Eén of meer bladen zijn beschadigd of niet goed uitgebalanceerd.	Balanceer de bladen of vervang de bladen.
	De motor zit los.	Draai de motorbouten vast.
De accu laadt niet.	De hoofdzekering is beschadigd.	Vervang de hoofdzekering.
	De accu is beschadigd.	Vervang de accu.
	De laadkabel is losgekoppeld.	Sluit de laadkabel aan.
	Slecht contact bij de kabelklemmen op de accupolen.	Controleer de accu-aansluitingen.

Probleem	Oorzaak	Actie
De motor werkt wanneer de gebruiker opstaat van de stoel en het maaidek is ingeschakeld.	De dodemansregeling (OPC) werkt niet goed.	Controleer alle draden, schakelaars en aansluitingen. Indien dit niet correct is, neemt u contact op met een erkende servicewerkplaats. Gebruik geen product met een dodemansregeling die niet correct werkt.
De bladen kunnen niet ronddraaien.	Het koppelingsmechanisme is geblokkeerd.	Verwijder de blokkade.
	De aandrijfriem van het maaidek is versleten of beschadigd.	Vervang de aandrijfriem voor het maaidek.
	Een geleidepoelie zit vast.	Vervang de geleidepoelie.
	Een draaispil zit vast.	Vervang de draaispil.
Beschadigde grasuitworp.	Het motortoerental is te laag.	Zet de gashendel in de snelle stand.
	Het product wordt bediend met een te hoog toerental voor voor- of achteruit.	Gebruik een lager toerental.
	Het gras is nat.	Zorg ervoor dat het gras droog is voordat u gaat maaien.
	Het maaidek is niet parallel.	Stel de paralleliteit van het maaidek af. Zie <i>De uitlijning van het maaidek afstellen op pagina 102</i> .
	De bandenspanning is onjuist.	Controleer de bandenspanning. Pas de bandenspanning indien nodig aan.
	De bladen zijn versleten, beschadigd of zitten los.	Vervang de bladen of draai de bouten op de bladen vast.
	Ophoping van gras of vuil onder het maaidek.	Reinig het maaidek.
	De aandrijfriem van het maaidek is versleten of beschadigd.	Vervang de aandrijfriem voor het maaidek.
	De bladen zijn onjuist gemonteerd.	Monteer de bladen met de scherpe rand naar beneden.
	Verkeerde bladen gebruikt.	Vervang de bladen door de juiste bladen volgens de onderdelenlijst.
Verstopte luchtgaten in het maaidek door ophoping van gras of vuil rond de assen.	Reinig rondom de assen om de luchtopeningen vrij te maken.	

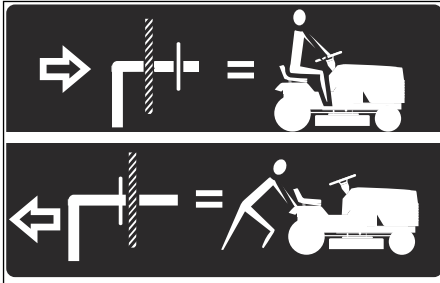
Probleem	Oorzaak	Actie
De koplamp werkt niet.	De koplampschakelaar staat in de stand Off.	Zet de koplampschakelaar in de stand On.
	De lamp is beschadigd.	Vervang de lamp.
	De aan/uit-schakelaar voor de koplamp is beschadigd.	Vervang de aan-/uitschakelaar voor de koplamp.
	De kabel naar de koplamp is niet aangesloten.	Controleer de draden en aansluitingen.
	Er is kortsluiting in de koplampkabel.	Neem contact op met een erkende servicewerkplaats.
Het product beweegt langzaam, onregelmatig of helemaal niet.	Het product staat in de vrijlooptmodus.	Trek de vrijloophendel naar buiten. Zie <i>Het product in de vrijlooptmodus zetten op pagina 95</i> .
	De parkeerrem is ingeschakeld.	Schakel de parkeerrem uit.
	De aandrijfriem zit los of is beschadigd.	Vervang de aandrijfriem.
	Er zit lucht in de transmissie.	Verwijder de lucht uit de transmissie. Zie <i>Lucht uit de transmissie verwijderen op pagina 107</i> .
	Er zit ongewenst materiaal op de stuurplaat (indien de stuurplaat is aangebracht).	Reinig het product.
	De rechthoekige spie op de as ontbreekt.	Breng de rechthoekige spie aan. Zie <i>De banden repareren op pagina 99</i> .
Het maairesultaat is onvoldoende.	De messen zijn bot of beschadigd.	Slijp of vervang de bladen.
	Het maaidek is niet parallel.	Stel de paralleliteit van het maaidek af. Zie <i>De uitlijning van het maaidek afstellen op pagina 102</i> .
	Het gras is nat.	Zorg ervoor dat het gras droog is voordat u gaat maaien.
	Het gras is lang.	Begin met een hoge maaihoogte en verlaag die geleidelijk.
	De bandenspanning is onjuist.	Controleer de bandenspanning. Pas de bandenspanning indien nodig aan.
	Het product wordt bediend met een te hoog toerental voor voor- of achteruit.	Gebruik een lager toerental.
	De aandrijfriem van het maaidek is versleten of beschadigd.	Vervang de aandrijfriem voor het maaidek.
De motor knalt wanneer de motor stopt.	De gashendel staat niet in de langzame stand.	Zie <i>Product stoppen op pagina 93</i> .
De motor stopt wanneer u probeert achteruit te rijden.	Het achteruitrijstelsel (ROS) is niet ingeschakeld.	Schakel het achteruitrijstelsel (ROS) in. Zie <i>Het achteruitrijstelsel (ROS) gebruiken op pagina 94</i> .

Vervoer, opslag en verwerking

Transport

Let op: Sluit de motorkap en bevestig hem aan de machine tijdens transport om schade te voorkomen. Bevestig de motorkap met de juiste hulpmiddelen (touw, draad, etc.) aan de machine.

Wanneer u de machine vervoert, zet u de vrijloopregeling in de vrijloopstand om de transmissie uit te schakelen. De vrijloopregeling bevindt zich op de achterste trekstang van de machine.



1. Zet het hulpstuk in de hoogste stand met de hefregeling voor het hulpstuk.

2. Breng de vrijloopregeling uit en weer in de sleuf en laat hem los om hem in de uitgeschakelde stand te houden.
3. Verplaats de machine niet met meer dan 3,2 km/h (2 mph).
4. Om de transmissie weer in te schakelen, voert u bovenstaande procedure in omgekeerde volgorde uit.

De machine veilig als trekker gebruiken

- Gebruik alleen door Husqvarna goedgekeurde trekuitrusting.
- Gebruik de trekhaak om de uitrusting te bevestigen.
- Trek nooit apparatuur die zwaarder is dan het maximaal toegestane gewicht.
- Zorg ervoor dat zich geen andere personen in de buurt van het product bevinden wanneer u apparatuur trekt.
- Trek geen apparatuur op hellingen of in ruig terrein.
- Gebruik het product met een laag toerental wanneer u apparatuur trekt.

Opslag

Bereid het product voor op opslag aan het eind van het seizoen, en voorafgaand aan opslag langer dan 30 dagen. Als u de brandstof langer dan 30 dagen in de tank laat zitten, kunnen kleverige deeltjes verstopping in de carburateur veroorzaken. Dit heeft een negatief effect op de werking van de motor.

Voeg een stabilisatiemiddel toe aan de brandstof om te voorkomen dat kleverige deeltjes ontstaan tijdens opslag van de machine. Bij gebruik van alkylaatzbenzine is toevoegen van een stabilisatiemiddel niet nodig. Als u standaard benzine gebruikt, ga dan niet over op het gebruik van alkylaatzbenzine. Hierdoor kunnen kwetsbare rubberen onderdelen hard worden. Voeg een stabilisatiemiddel toe aan de brandstof in de tank of in de jerrycan. Gebruik altijd de mengverhoudingen die de fabrikant voorschrijft. Laat de motor minstens 10 minuten draaien nadat u het stabilisatiemiddel heeft toegevoegd om te zorgen dat het stabilisatiemiddel ook de carburateur bereikt.



WAARSCHUWING: Zet het product met brandstof in de tank niet binnen of op plekken met een slechte ventilatie. Er is gevaar voor brand als brandstofdampen dicht bij open vuur, vonken of waakvlammen zoals die van

boilers, heetwatertanks of wasdrogers komen.



WAARSCHUWING: Verwijder gras, bladeren en andere brandbare materialen van het product om het risico van brand te verkleinen. Laat het product afkoelen voordat u die in de stallingsruimte plaatst.

- Reinig het product, zie *Product reinigen op pagina 98*. Werk lakbeschadigingen bij om corrosie te voorkomen.
- Inspecteer het product op versleten of beschadigde onderdelen en draai loszittende moeren en schroeven vast.
- Verwijder de accu. Reinig hem, laad hem op en berg hem op een koele plaats op.
- Ververs de motorolie en voer de afgewerkte olie af.
- Leeg de brandstoftank. Start de motor en laat die draaien tot de carburateur leeg is.

Let op: Leeg de brandstoftank en de carburateur niet als u een stabilisatiemiddel aan de tank heeft toegevoegd.

- Verwijder de bougies en giet ongeveer een eetlepel motorolie in elke cilinder. Draai de motoras om de olie aan te brengen en breng de pluggen weer aan.
- Smeer alle smeernippels, koppelingen en assen.
- Stal het product in een schone en droge ruimte en dek het product af voor extra bescherming.
- Een hoes voor bescherming van uw product tijdens stalling of transport is verkrijgbaar bij uw dealer.

Afvoeren

- Chemicaliën kunnen gevaarlijk zijn en mogen niet worden in de bodem wordt geloosd. Voer gebruikte chemicaliën af naar uw servicepunt of een afvalverwerkingspunt.
- Wanneer het product is versleten, lever het dan in bij uw dealer of een geschikt recyclingbedrijf.
- Olie, oliefilters, brandstof en de accu kunnen negatieve effecten hebben op het milieu. Neem de plaatselijk geldende wet- en regelgeving voor recycling in acht.
- Gooi de accu niet bij het huishoudelijk afval.
- Lever de accu in bij een Husqvarna servicewerkplaats of bij een bedrijf dat oude accu's verwerkt.

Technische gegevens

	TS 142T
Motor	
Merk motor	LCC
Motormodel	LC2P80
Nominaal motorvermogen, pk / kW ⁹	19,4 / 14,5
Max. motortoerental, rpm	2600 ± 100
Stationair toerental, rpm	1750 ± 100
Maximumsnelheid vooruit, mph / km/h	4,16 / 6,7
Maximumsnelheid achteruit, mph / km/h	2,2 / 3,5
Brandstof, minimaal octaangetal, loodvrij, max. 10% ethanol en max. 15% MTBE, AKI / RON	87 / 91
Inhoud brandstoftank, gallons / l	1,5 / 5,68
Olietype boven 0 °C (API: SJ-SN):	SAE 30
Olietype onder 0 °C (API: SJ-SN):	SAE 5W30
Olievolume met oliefilter, oz. / l	80 / 2,37
Olievolume zonder oliefilter, oz. / l	72 / 2,13
Smeersysteem	Druk met oliefilter
Koelsysteem	Luchtkoeling
Luchtfiler	Dubbel
Dynamo, V. amp. bij 3600 rpm	12V 15 A bij 3600 omw/min
Startmotor	Elektrische start, 12 V
Gewicht	

⁹ Het door de motorfabrikant aangegeven nominale motorvermogen is het gemiddelde bruto vermogen bij het opgegeven toerental van een typische productiemotor voor het motormodel, dat is gemeten volgens de SAE-normen voor bruto motorvermogen. Zie de motorspecificaties van de motorfabrikant.

	TS 142T
Gewicht met lege tanks, lb / kg	465 / 211
Maaidek	
Aantal messen	2
Bladlengte, inch / cm	21 / 53,34
Maai breedte, inch / cm	42 / 107
Maai hoogte, inch / cm	1,0-4,0 / 2,5-10,2
Banden	
Bandenspanning, achter – voor, PSI / kPa / bar	15 / 103 / 1
Zwenkwielen vóór, inch	15 x 6-6
Achterbanden, pneumatisch voor grasmatt, inch	20 x 8-8
Remmen	Mechanische parkeerrem
Elektrisch systeem	
Type	12 V
Accu	28 A
Bougie	Champion RN9YC
Afstand tussen de elektroden, inch/mm	0,030 / 0,76
Aanhaalmoment bougie, lb-ft / Nm	14,75 / 20
Geluidsemissies ¹⁰	
Geluidsvermogeniveau, gemeten dB(A)	100
Geluidsvermogeniveau, gegarandeerd L _{WA} dB(A)	100
Geluidsniveau ¹¹	
Geluidsdruk niveau bij het oor van de gebruiker, dB(A)	80
Trillingsniveau ¹²	
Trillingsniveau in stuurwiel, m/s ²	4,25
Trillingsniveau in stoel, m/s ²	0,92

¹⁰ Geluidsemissie naar de omgeving gemeten als geluidsvermogen (L_{WA}) volgens EG-richtlijn 2000/14/EG. Het gerapporteerde geluidsvermogeniveau voor de machine is gemeten met de originele snijuitrusting die het hoogste niveau geeft. Het verschil tussen gegarandeerd en gemeten geluidsvermogen is dat het gegarandeerde geluidsvermogen ook spreiding in het meetresultaat omvat en de verschillen tussen de verschillende machines van hetzelfde model conform Richtlijn 2000/14/EG.

¹¹ De gerapporteerde gegevens voor een vergelijkbaar geluidsrukniveau voor de machine vertonen een typische statistische spreiding (standaardafwijking) van 1 dB(A).

¹² De gerapporteerde gegevens voor een vergelijkbaar trillingsniveau vertonen een typische statistische spreiding (standaardafwijking) van 1 m/s².

Service

Service

Laat uw product jaarlijks door een erkend servicepunt controleren om te zorgen dat het product tijdens het hoogseizoen veilig en optimaal presteert. De beste tijd voor onderhoud of revisie van het product, is het laagseizoen.

Wanneer u onderdelen bestelt, vermeld dan de aanschafdatum, model, type en serienummer.

Gebruik altijd originele reserveonderdelen.

Verklaring van overeenstemming

EU-verklaring van overeenstemming

alleenverantwoordelijkheid dat het gerepresenteerde product:

Wij, Husqvarna AB, SE 561 82
Husqvarna, ZWEDEN, verklaren onder onze

Beschrijving	Zitmaaier met verbrandingsmotor
Merk	Husqvarna
Platform / Type / Model	TS 142T
Partij	Serienummer vanaf 2021 en verder

volledig voldoet aan de volgende EU-richtlijnen en
-regelgeving:

Richtlijn/Verordening	Beschrijving
2006/42/EG	"betreffende machines"
2011/65/EU	"beperking van het gebruik van bepaalde gevaarlijke stoffen"
2014/30/EU	"betreffende elektromagnetische compatibiliteit"
2000/14/EG, 2005/88/EG	"betreffende geluid buitenshuis"

Toegepaste geharmoniseerde normen en/of technische specificaties zijn als volgt: EN ISO 12100:2010, EN ISO 14982:2009, EN ISO 5395-1:2013/A1:2018, EN ISO 5395-3:2013/A1:2017/A2:2018, EN ISO 3744:2010, EN ISO 11094:1991, EN 1032:2009, EN IEC 63000:2018, EN IEC 63000:2018.

In overeenstemming met richtlijn 2000/14/EG, bijlage VI, zijn de verklaarde geluidswaarden:

Gemeten geluidsvermogensniveau: 99 dB(A).

Gegarandeerd geluidsvermogeniveau: 100 dB(A).

De geleverde zitmaaier met verbrandingsmotor is conform het geteste exemplaar.

Namens Husqvarna AB, SE 561 82 Husqvarna, ZWEDEN, 2021-06-07.



Claes Losdal

Verantwoordelijk voor technische documentatie.



Sommario

Introduzione.....	118	Archiviazione.....	153
Sicurezza.....	122	Smaltimento.....	154
Montaggio.....	127	Dati tecnici.....	154
Utilizzo.....	128	Assistenza.....	156
Manutenzione.....	134	Dichiarazione di conformità.....	157
Risoluzione dei problemi.....	147	Appendice	238
Trasporto, stoccaggio e smaltimento.....	153		

Introduzione

Ispezione di preconsegna e numeri di prodotto

una copia firmata del documento di ispezione pre-consegna dal rivenditore.

Nota: Un'ispezione di preconsegna è stata effettuata per questo prodotto. Assicurarsi di ricevere

Informazioni di contatto dell'officina:	
Il presente manuale operatore si riferisce al prodotto con codice/numero di serie:	
/	
Motore:	
Trasmissione:	

Descrizione del prodotto

Trattore da giardino con piatto di taglio installato tra l'asse anteriore e l'asse posteriore. Dotato di motore a quattro tempi a benzina.

Accessori opzionali:

- Raccoglierba
- Tappo di pacciamatura

Uso previsto

Questo prodotto è destinato esclusivamente al taglio dell'erba in giardini privati e su pendenze non superiori a 15° all'interno dei giardini privati. Non deve essere utilizzato in parchi pubblici e campi sportivi, nel settore agricolo o nella silvicoltura.

Utilizzare il prodotto solo con gli accessori approvati dal produttore.

Un diverso utilizzo del prodotto rappresenta un uso improprio. Questo invaliderà la garanzia e il produttore non si assumerà alcuna responsabilità per eventuali danni causati a terzi dall'utilizzatore.

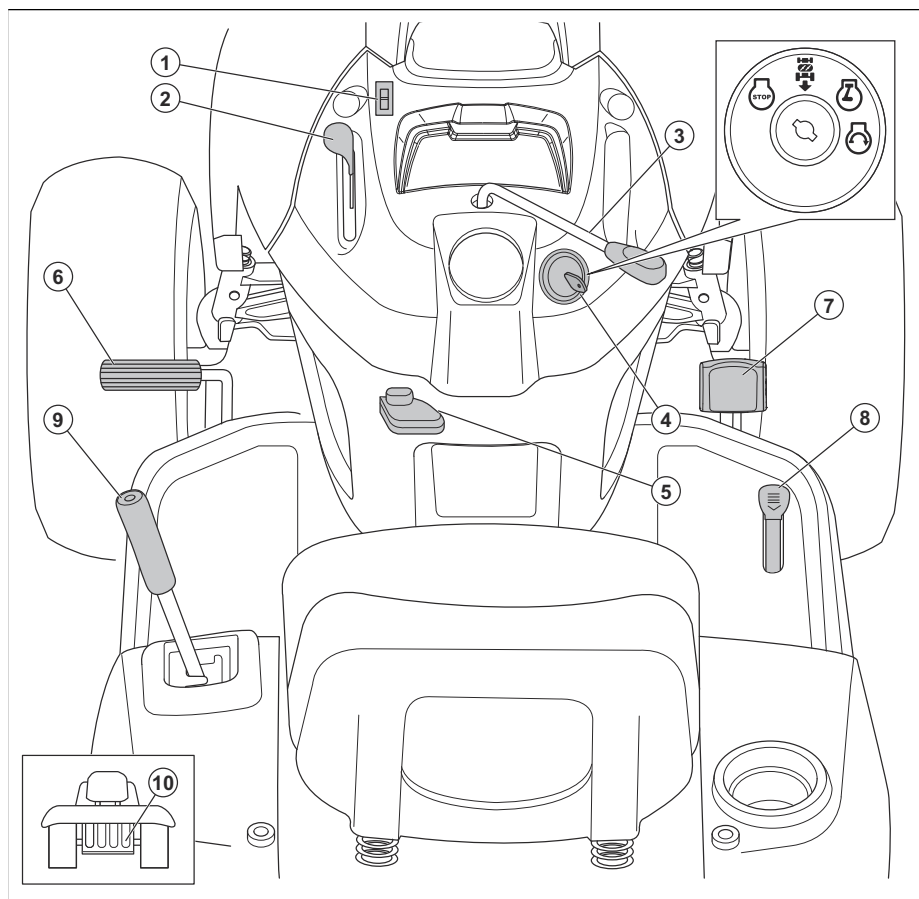
Fare riferimento alle direttive locali per l'utilizzo dei rasaerba.

Supporto / Aiuto

Per ricevere assistenza o porre domande relative all'applicazione, al funzionamento, alla manutenzione o alle parti di ricambio del prodotto:

- visitare il nostro sito: www.husqvarna.com
- Chiamare il numero verde: 1-800-487-5951

Panoramica del prodotto



1. Interruttore luci
2. Comando dell'acceleratore
3. Comando di innesto frizione
4. Interruttore di accensione
5. Leva del freno di stazionamento
6. Pedale del freno
7. Pedale di marcia avanti
8. Pedale di retromarcia
9. Leva di sollevamento dell'accessorio
10. Leva della ruota libera

Simboli riportati sul prodotto



Avvertenza! Prestare attenzione e utilizzare il prodotto correttamente. Il prodotto può causare gravi lesioni o morte dell'operatore o altre persone.



ATTENZIONE: Un uso errato può causare danni al prodotto o lesioni personali.



Leggere attentamente il Manuale dell'operatore e accertarsi di aver compreso le istruzioni prima di utilizzare questo prodotto.

R
N

Retromarcia.

Folle.



Alta.



Bassa.



Posizione di avviamento per clima freddo.



Veloce.



Lento.



Comando dell'aria.



Interruttore di accensione.



Arrestare il motore.



Avviamento del motore.



Accensione del motore.



Pedale del freno/frizione.



Freno di stazionamento.



Freno di stazionamento inserito.



Freno di stazionamento disinserito.



Altezza di taglio.



Sollevamento del piatto di taglio.



Bloccaggio differenziale.



Sistema per operazioni in retromarcia (ROS).



Retromarcia.



Marcia avanti.



Luci accese.



Carburante.



Pressione dell'olio.



Batteria.



Protezione acustica consigliata.



Le lame sono disinserite.



Le lame sono inserite.



Rischio di avvelenamento da monossido di carbonio.



Prestare attenzione agli oggetti lanciati.



Pericolo. Tenere a distanza mani e piedi.



Tenere lontano persone e animali dalla zona di lavoro.



Il simbolo del fuoco indica un rischio che, se ignorato, potrebbe causare morte, gravi lesioni e/o danni.



Livello potenza acustica.



Il prodotto è conforme alle direttive CE vigenti.



Il presente prodotto è conforme alle direttive del Regno Unito vigenti.



Tenere le mani e i piedi lontani da quest'area.



Non utilizzare il prodotto su pendenze superiori a 15°.



Superfici calde. Non toccare.



Quando si utilizza il prodotto, sul piatto di taglio deve essere installato il deflettore.



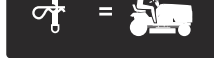
Quando si utilizza il prodotto, deve essere installato il raccoglierba.



Intrappolamento della mano.



Carico del gancio.



Ruota libera (solo modelli automatici).

Responsabilità del prodotto

Come indicato nelle leggi vigenti in materia di responsabilità obbligatoria sul prodotto, non siamo responsabili per eventuali danni causati dal nostro prodotto se:

- Il prodotto viene riparato in modo errato.
- Il prodotto viene riparato con parti che non provengono o non sono omologate dal produttore.
- Il prodotto contiene un accessorio che non proviene o non è omologato dal produttore.
- Il prodotto non viene riparato presso un centro di assistenza autorizzato o presso un'autorità competente.

Sicurezza

Definizioni di sicurezza

Le avvertenze, le precauzioni e le note sono utilizzate per evidenziare le parti importanti del manuale.



AVVERTENZA: Utilizzato se è presente un rischio di lesioni o morte dell'operatore o di passanti nel caso in cui le istruzioni del manuale non vengano rispettate.



ATTENZIONE: Utilizzato se è presente un rischio di danni al prodotto, ad altri materiali oppure alla zona adiacente nel caso in cui le istruzioni del manuale non vengano rispettate.

Nota: Utilizzato per fornire ulteriori informazioni necessarie in una determinata situazione.

Norme di sicurezza per i trattori tagliaerba



AVVERTENZA: Il prodotto ha una potenza sufficiente per amputare mani o piedi e scagliare violentemente gli oggetti. La mancata osservanza delle seguenti norme di sicurezza può essere causa di lesioni gravi o addirittura mortali.



AVVERTENZA: Scollegare sempre il cavo candela e collocarlo dove non possa venire a contatto con quest'ultima per non provocare inavvertitamente l'accensione durante la preparazione, il trasporto, la regolazione o la riparazione.



AVVERTENZA: Non percorrere tratti in discesa in folle, perché si potrebbe perdere il controllo del trattore.



AVVERTENZA: Trainare solo accessori consigliati dal costruttore del trattore e conformi alle specifiche. Durante il traino, usare buon senso. Azionare solo alla velocità più bassa possibile su una pendenza. Su una pendenza, un carico troppo pesante è pericoloso. Gli pneumatici possono perdere trazione col terreno e causare la perdita di controllo del trattore.



AVVERTENZA: I gas di scarico, alcuni loro componenti e determinati componenti del veicolo contengono o emettono sostanze chimiche ritenute dallo Stato della California causa di cancro, difetti congeniti o altri danni al sistema riproduttivo.

I. BAMBINI



AVVERTENZA: QUESTA APPARECCHIATURA PUÒ CAUSARE LESIONI AI BAMBINI. L'American Academy of Pediatrics raccomanda che i bambini abbiano un'età minima di 12 anni prima di azionare un tagliaerba con operatore a piedi e un minimo di 16 anni prima di azionare un tagliaerba con operatore seduto.



AVVERTENZA: QUESTA APPARECCHIATURA PUÒ CAUSARE GRAVI LESIONI, ANCHE MORTALI, AI BAMBINI. Leggere attentamente e osservare tutte le istruzioni di sicurezza indicate di seguito.

La mancata attenzione a bambini nelle vicinanze della macchina può provocare tragici incidenti. I bambini sono spesso attratti dalla macchina e dalle attività di taglio. Non presumere mai che i bambini resteranno nel punto in cui sono stati visti l'ultima volta.

- Tenere i bambini lontani dall'area di taglio e farli sorvegliare da un adulto responsabile che non sia l'operatore.
- Prestare attenzione e spegnere la macchina se nell'area di lavoro entrano bambini.
- Prima e durante la retromarcia, guardare indietro e in basso accertandosi che non vi siano bambini piccoli.
- Non trasportare mai bambini, nemmeno con le lame disinserite. Potrebbero cadere e subire gravi lesioni oppure impedire una manovra sicura della macchina. I bambini che sono stati fatti salire sulla macchina in precedenza possono comparire improvvisamente nell'area di taglio per ripetere l'esperienza e possono essere travolti in marcia avanti o retromarcia.
- Non permettere che la macchina sia utilizzata da bambini.
- Prestare particolare attenzione nelle vicinanze di angoli ciechi, cespugli, alberi o altri oggetti che potrebbero limitare la visibilità in presenza di bambini.

II. FUNZIONAMENTO GENERALE

- Leggere, comprendere e seguire tutte le istruzioni riportate sulla macchina e nel presente manuale prima di avviare la macchina.
- Non infilare mani o piedi nelle parti rotanti o sotto la macchina. Restare sempre lontani dall'apertura di scarico.
- La macchina deve essere utilizzata esclusivamente da adulti responsabili che abbiano dimestichezza con le istruzioni.
- Eliminare dall'area oggetti quali pietre, giocattoli, fili ecc. che potrebbero essere raccolti e scagliati dalle lame.
- Accertarsi che non vi sia nessuno nell'area di lavoro prima di avviare la macchina. Fermare la macchina se entra qualcuno nell'area di lavoro.
- Non trasportare mai passeggeri.
- Non tagliare in retromarcia a meno che non sia assolutamente necessario. Durante le manovre in retromarcia, controllare sempre l'area sottostante e circostante la macchina.
- Non dirigere lo scarico verso altre persone. Evitare di scaricare il materiale contro un muro o un'ostruzione. Il materiale può rimbalzare nella direzione dell'operatore. Fermare le lame prima di attraversare superfici ghiaiate.
- Non azionare la macchina se il raccoglitore per l'erba, il deflettore di scarico o gli altri dispositivi di sicurezza non sono installati e funzionanti.
- Rallentare prima di svoltare.
- Non lasciare mai incustodita una macchina accesa. Fermare sempre le lame, applicare il freno di stazionamento e spegnere il motore prima di lasciare la macchina incustodita.
- Fermare le lame quando non si taglia. Spegnerne il motore e attendere che tutte le parti si siano completamente fermate prima di pulire la macchina, rimuovere il raccogliherba o stasare lo scivolo di scarico.
- Azionare la macchina solo nelle ore diurne o in buone condizioni di illuminazione artificiale.
- Non utilizzare la macchina sotto l'effetto di farmaci o alcolici.
- Prestare attenzione agli utenti della strada quando si procede accanto a una strada o la si attraversa.
- In sede di carico e scarico della macchina su un rimorchio o camion, procedere con la massima cautela.
- Indossare sempre occhiali protettivi durante l'uso della macchina.
- Per evitare danni all'udito, utilizzare sempre cuffie protettive.
- Le statistiche indicano che gli operatori di età pari o superiore a 60 anni sono i più soggetti a infortuni associati all'uso di tagliaerba. Questi operatori devono valutare le proprie capacità di utilizzare il tagliaerba in modo sufficientemente sicuro per proteggere se stessi e gli altri da gravi lesioni.
- Rispettare le raccomandazioni del produttore relativamente a pesi delle ruote o contrappesi.

- Tenere la macchina pulita da depositi di erba, foglie o altri detriti che al contatto con componenti caldi del condotto di scarico o del motore potrebbero incendiarsi. Non lasciare che il coprilama trascini foglie o altri detriti formando accumuli. Rimuovere l'eventuale olio o carburante fuoriuscito prima di utilizzare la macchina o del suo rimessaggio. Lasciare raffreddare la macchina prima del rimessaggio.

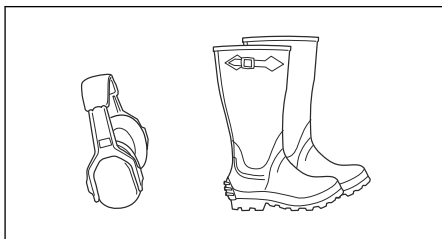
Istruzioni di sicurezza per il funzionamento

Dispositivi di protezione individuale



AVVERTENZA: Leggere le seguenti avvertenze prima di utilizzare il prodotto.

- Usare sempre abbigliamento protettivo personale omologato quando si utilizza il prodotto. L'uso di dispositivi di protezione individuale non elimina il rischio di lesioni, ma ne riduce la gravità in caso di incidente. Farsi consigliare dal rivenditore per la scelta dell'attrezzatura adatta.
- Usare cuffie protettive omologate. Una lunga esposizione al rumore può comportare lesioni permanenti all'udito.
- Utilizzare robusti stivali o scarpe antiscivolo. Si raccomanda l'uso di punte in acciaio. Non utilizzare il prodotto con calzature aperte o a piedi nudi.



- Indossare guanti protettivi ove necessario, ad esempio per montare, ispezionare o pulire l'attrezzatura di taglio.
- Non indossare abbigliamento non aderente, gioielli o altri oggetti che potrebbero impigliarsi nelle parti in movimento.
- Tenere a portata di mano il kit di primo soccorso e un estintore.

Dispositivi di sicurezza sul prodotto



AVVERTENZA: Leggere le seguenti avvertenze prima di utilizzare il prodotto.

- Non utilizzare un prodotto usando dispositivi di sicurezza danneggiati o che non funzionano correttamente. Effettuare regolarmente un controllo dei dispositivi di sicurezza. Se

i dispositivi di sicurezza sono danneggiati, rivolgersi al tecnico dell'assistenza Husqvarna.

- Non apportare modifiche ai dispositivi di sicurezza. Non utilizzare il prodotto se le piastre di protezione, le coperture, gli interruttori di sicurezza o altri dispositivi di protezione non sono collegati o sono danneggiati.

Verifica del controllo presenza operatore (OPC)



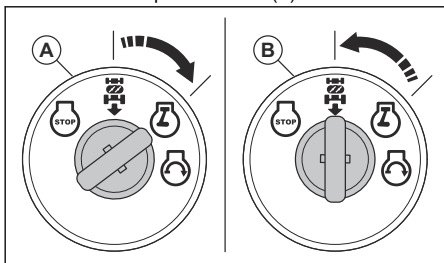
AVVERTENZA: Non utilizzare il prodotto con un OPC (Operator Presence Control) che non funziona correttamente. Se l'OPC non funziona correttamente, risolvere immediatamente il problema. Contattare un'officina autorizzata.

- Assicurarsi che il motore non si avvii se non quando il pedale del freno è completamente premuto e il piatto di taglio è disinnestato.
- Assicurarsi che il motore si arresti quando l'operatore si alza dal sedile con il freno di stazionamento disinserito.
- Assicurarsi che il motore si arresti quando l'operatore si alza dal sedile con il piatto di taglio innestato.
- Assicurarsi che il comando della frizione del piatto di taglio non sia in funzione quando l'operatore è lontano dal sedile di guida.

Verifica del sistema per operazioni in retromarcia (ROS)

Se il sistema per operazioni in retromarcia non funziona correttamente, riparare immediatamente il prodotto. Contattare un'officina autorizzata.

1. Avviare il prodotto. Fare riferimento a *Avviamento dell'unità alla pagina 129*.
2. Innestare il piatto di taglio. Fare riferimento a *Innesto e disinnesto del piatto di taglio alla pagina 132*.
3. Verificare che il motore si arresti quando si tenta di eseguire la retromarcia con la chiave di accensione in posizione ON (A).



4. Avviare il prodotto e innestare nuovamente il piatto di taglio.
5. Portare l'interruttore di accensione in posizione ROS ON (B).

6. Assicurarsi che il motore si arresti quando si esegue la retromarcia con la chiave di accensione in posizione ROS ON.

Controllo del freno



AVVERTENZA: La manutenzione del freno è necessaria quando il prodotto ha bisogno di oltre 1,5 metri (5 piedi) per l'arresto alla velocità massima nella marcia più alta su una superficie piana e asciutta.

1. Parcheggiare il prodotto su una superficie piana e asciutta in cemento o pavimentata. Premere a fondo il pedale del freno e inserire il freno di stazionamento.
2. Portare il comando della ruota libera nella posizione di "trasmissione disinnestata" per disinnestare la trasmissione.
3. Quando si tenta di spingere manualmente in avanti il prodotto, le ruote posteriori devono bloccarsi e slittare. Se le ruote posteriori ruotano, è necessario eseguire la manutenzione del freno.
4. Rivolgersi a un centro assistenza autorizzato.

Freno di stazionamento



AVVERTENZA: Se il freno di stazionamento non funziona, il prodotto può iniziare a muoversi e causare lesioni o danni. Assicurarsi che il freno di stazionamento venga controllato e regolato periodicamente.

Fare riferimento a *Controllo del freno alla pagina 124*.

Marmitta

La marmitta assicura il minimo livello di rumorosità e allontana i fumi di scarico dall'operatore.

Non utilizzare il prodotto se la marmitta è mancante o danneggiata. Una marmitta danneggiata aumenta il livello acustico e il rischio di incendio.



AVVERTENZA: La marmitta si surriscalda durante e dopo l'uso e quando il motore funziona al regime minimo. Prestare attenzione in prossimità di materiali infiammabili e/o fumi per evitare incendi.

Controllo della marmitta

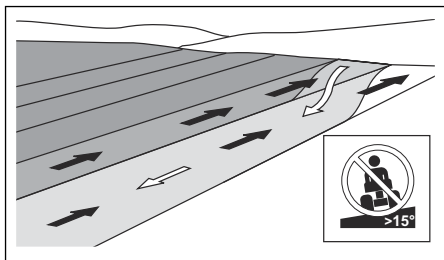
- Esaminare la marmitta periodicamente per assicurarsi che sia collegata correttamente e che non sia danneggiata.

Taglio dell'erba in pendenza



AVVERTENZA: Leggere le seguenti avvertenze prima di utilizzare il prodotto.

- La falciatura dell'erba su terreni in pendenza aumenta il rischio di perdita di controllo e di ribaltamento del prodotto. Ciò può causare lesioni anche mortali. È necessario falciare l'erba con cautela su qualsiasi terreno in pendenza. Se non è possibile effettuare la retromarcia su un terreno in pendenza o se ci si sente insicuri, non effettuare la falciatura.
- Rimuovere pietre, rami o altri ostacoli.
- Eseguire il taglio guidando parallelamente alla direzione di inclinazione del piano, non lateralmente.
- Non spostarsi su un pendio con il piatto di taglio sollevato.
- Non azionare il prodotto su terreni con pendenze superiori a 15°.



- Non avviare o arrestare il prodotto su terreni in pendenza.
- Spostarsi gradualmente e lentamente su terreni in pendenza.
- Non effettuare bruschi cambiamenti di velocità o di direzione di marcia.
- Non effettuare più svolte del necessario. Girare lentamente e gradualmente quando ci si sposta su un pendio. Viaggiare a bassa velocità. Girare la ruota con cautela.
- Evitare di attraversare solchi, buche e dossi. Vi è un rischio più elevato che il prodotto si ribalti su un terreno non piano. L'erba alta può nascondere eventuali ostacoli.
- Non tagliare in prossimità di bordi, fossi o argini. Il prodotto può ribaltarsi improvvisamente se una ruota si muove oltre il bordo di una pendenza ripida o un fosso, o se un bordo cede.
- Non tagliare l'erba bagnata. È scivolosa e gli pneumatici possono perdere aderenza facendo slittare il prodotto.
- Non appoggiare il piede a terra per tentare di rendere il prodotto più stabile.
- Spostarsi con molta attenzione nel caso in cui un accessorio o un qualsiasi altro oggetto si sia impigliato, rendendo il prodotto meno stabile.

Sicurezza per l'uso del carburante



AVVERTENZA: Leggere le seguenti avvertenze prima di utilizzare il prodotto.

- Il carburante è infiammabile e i vapori sono esplosivi. Prestare attenzione al carburante per evitare lesioni, incendi ed esplosioni.
- Non respirare i vapori del carburante. I vapori del carburante sono velenosi e possono causare lesioni. Accertarsi che ci sia un sufficiente flusso di aria.
- Non rimuovere il tappo del serbatoio del carburante, né rabboccare il serbatoio del carburante a motore acceso.
- Assicurarsi che il motore sia freddo prima di effettuare il rifornimento.
- Non rifornire il carburante in locali interni. Un flusso d'aria insufficiente può causare lesioni o morte per asfissia o avvelenamento da monossido di carbonio.
- Non fumare in prossimità del carburante o del motore.
- Non posizionare oggetti caldi in prossimità del carburante o del motore.
- Non effettuare il rifornimento di carburante in prossimità di scintille o fiamme.
- Prima di effettuare il rifornimento, aprire lentamente il tappo del serbatoio del carburante e rilasciare la pressione con cautela.
- Il carburante sulla pelle può causare lesioni. In caso di contatto del carburante con il corpo, rimuoverlo con acqua e sapone.
- In caso di perdite di carburante sugli indumenti, cambiarsi immediatamente.
- Non riempire completamente il serbatoio del carburante. Il calore provoca l'espansione del carburante. Lasciare dello spazio nella parte superiore del serbatoio del carburante.
- Stringere a fondo il tappo del serbatoio del carburante. Se il tappo del serbatoio del carburante non è serrato, vi è il rischio di incendio.
- Prima di avviare il prodotto, spostarlo a minimo 3 m/10 ft dal punto di rifornimento.
- Non avviare il prodotto nel caso in cui vi sia carburante o olio motore su di esso. Rimuovere il carburante e l'olio motore indesiderati e lasciare asciugare il prodotto prima di avviare il motore.
- Esaminare regolarmente il motore per verificare la presenza di eventuali perdite. In caso di perdite del sistema di alimentazione, non avviare il motore fino a quando le perdite non sono state riparate.
- Non usare le dita per verificare se il motore presenta eventuali perdite.
- Conservare il carburante solo in contenitori omologati.

- Quando il prodotto e il carburante sono in magazzino, assicurarsi che il carburante e i vapori del carburante non possano causare danni.
- Versare il carburante in un contenitore omologato, all'aperto e lontano da scintille e fiamme libere.

- Il freno di stazionamento è azionato.
- La chiave di accensione è stata rimossa.
- Il piatto di taglio è disinserito.
- I cavi di accensione sono stati rimossi dalle candele.

Sicurezza batterie



AVVERTENZA: Una batteria danneggiata può esplodere e causare lesioni. Se la batteria presenta una deformazione o è danneggiata, rivolgersi a un'officina autorizzata Husqvarna.



AVVERTENZA: I fumi di scarico del motore contengono monossido di carbonio, un gas inodore, velenoso ed estremamente pericoloso. Non utilizzare il prodotto in spazi chiusi o senza un flusso d'aria sufficiente.



AVVERTENZA: Leggere le seguenti avvertenze prima di utilizzare il prodotto.



AVVERTENZA: Leggere le avvertenze seguenti prima di eseguire la manutenzione del prodotto.

- Utilizzare occhiali protettivi quando si è in prossimità delle batterie.
- Non indossare orologi, gioielli o altri oggetti metallici nelle vicinanze della batteria.
- Tenere la batteria fuori dalla portata dei bambini.
- Caricare la batteria in un luogo con buon ricambio d'aria.
- Tenere i materiali infiammabili a una distanza minima di 1 m quando si carica la batteria.
- Smaltire le batterie sostituite. Vedere *Smaltimento alla pagina 154*.
- Gas esplosivi possono fuoriuscire dalla batteria. Non fumare in prossimità della batteria. Tenere la batteria lontano da fiamme libere e scintille.

- Per garantire le migliori prestazioni e la sicurezza, effettuare la manutenzione del prodotto a intervalli regolari come indicato nel programma di manutenzione. Fare riferimento a *Programma di manutenzione alla pagina 135*.
- Le scosse elettriche possono provocare lesioni. Non toccare i cavi quando il motore è acceso. Non effettuare una prova di funzionamento dell'impianto di accensione con le dita.
- Non avviare il motore se i coperchi protettivi sono stati rimossi. Vi è un alto rischio di lesioni provocate da parti calde o in movimento.
- Attendere che il prodotto si raffreddi prima di eseguire la manutenzione vicino al motore.
- Le lame sono affilate e possono causare tagli. Posizionare paraventi attorno alle lame o usare guanti protettivi quando si lavora su di esse.
- Mettere sempre il piatto di taglio in posizione di manutenzione per pulirlo. Non parcheggiare il prodotto vicino al bordo di un fosso o in pendenza per accedere al piatto di taglio.

Sicurezza per il trasporto

- Utilizzare un veicolo omologato per il trasporto del prodotto.
- Le normative nazionali o locali di un mercato possono prevedere limitazioni per il trasporto del prodotto.
- L'operatore del veicolo di trasporto è responsabile del fissaggio sicuro del prodotto durante il trasporto. Fare riferimento a *Trasporto alla pagina 153*.



ATTENZIONE: Leggere le seguenti istruzioni prima di utilizzare il prodotto.

Istruzioni di sicurezza per la manutenzione



AVVERTENZA: Il prodotto ha un peso elevato e può causare lesioni o danni alle cose o alla zona adiacente. Non eseguire la manutenzione del motore o del piatto di taglio senza che queste condizioni vengano soddisfatte:

- Il motore è spento.
- Il prodotto è parcheggiato su una superficie piana.

- Non ribaltare il motore se la candela o il cavo di accensione è stato rimosso.
- Assicurarsi che tutti i dadi e i bulloni siano serrati correttamente e che l'attrezzatura sia in buone condizioni.
- Non modificare la regolazione dei limitatori. Se il regime del motore è troppo alto, i componenti del prodotto possono danneggiarsi.
- Il prodotto è testato e approvato solo con l'attrezzatura in dotazione o raccomandata dal produttore.

Montaggio

Introduzione



AVVERTENZA: Leggere e comprendere il capitolo sulla sicurezza prima di montare il prodotto.

Per rimuovere il prodotto dalla confezione

1. Rimuovere le parti sfuse incluse con il prodotto.
2. Rimuovere i pannelli terminali.
3. Rimuovere i pannelli laterali e posizionarli su una superficie piana.
4. Rimuovere tutto il materiale da imballaggio.
5. Rimuovere il prodotto dalla confezione e assicurarsi che non vi siano lasciate parti sfuse.

Utensili di montaggio

- Chiave da 1/2" (13 mm)
- Chiavi da 7/16" (11 mm) (2 pezzi)
- Manometro per pneumatici
- Coltello
- Pinze
- Set di chiavi a brugola (opzionale)

Componenti non montati che necessitano di montaggio

Il prodotto non è completamente montato. I seguenti componenti sono sfusi al momento dell'acquisto del prodotto.



Chiave, 2 pz



Foglio delle pendenze, 1 pz



Bullone a testa esagonale, 2 pz



Dadi, 2 pz



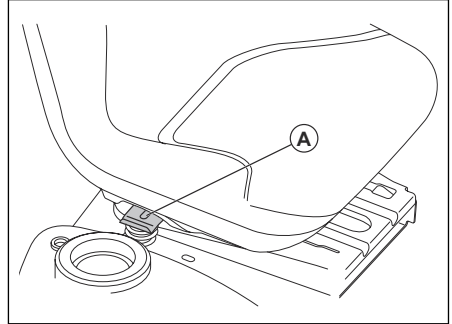
Adattatore ugello, 1 pz



Tubo di scarico dell'olio, 1 pz

Regolazione del sedile

1. Sedersi sul sedile.
2. Sollevare la leva di regolazione del sedile (A).



3. Spostare il sedile fino a una posizione in cui è possibile premere i pedali del freno e della frizione.
4. Rilasciare la leva di regolazione del sedile (A) per bloccare il sedile in posizione.

Collegamento della batteria

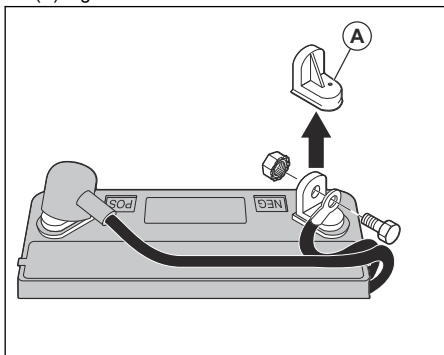


AVVERTENZA: Rischio di scossa elettrica e ustioni. Non utilizzare bracciali o altri accessori in metallo. Gli oggetti metallici che toccano i terminali della batteria possono causare ustioni, scosse elettriche e il cortocircuito della batteria.

Nota: Se sono passati l'anno e il mese riportati sull'etichetta della batteria, caricare la batteria. Caricare la batteria per almeno 1 ora a 6-10 A.

1. Individuare la posizione della batteria al di sotto del sedile o del cofano.
2. Portare la piastra del sedile o il cofano in posizione sollevata.

3. Rimuovere i 2 cappucci di protezione dei morsetti (A) e gettarli via.



4. Collegare il cavo della batteria rosso al morsetto positivo (+) e serrare il bullone e il dado come mostrato in figura. Spostare il coperchio del morsetto sul morsetto.



AVVERTENZA: Pericolo di scintille. Il cavo rosso della batteria deve essere collegato al morsetto positivo prima che il cavo nero della batteria sia collegato al morsetto negativo. In questo modo si evitano scintille e la messa a terra accidentale.

5. Collegare il cavo nero al morsetto negativo (-) e stringere il bullone e il dado completamente.
6. Applicare vaselina sui cavi della batteria per evitare la corrosione.
7. Abbassare la piastra del sedile o il cofano.

Rimozione del prodotto dalla piastra di scorrimento

1. Sollevare il piatto di taglio nella posizione più alta. Utilizzare la leva di sollevamento.
2. Spingere verso il basso il pedale del freno/della frizione per disinserire il freno di stazionamento.
3. Portare il comando della ruota libera nella posizione di "trasmissione disinnestata", far riferimento a *Trasporto, stoccaggio e smaltimento alla pagina 153*.

4. Spingere in avanti il prodotto per rimuoverlo dalla piastra di scorrimento.
5. Rimuovere la cinghia che trattiene la protezione del deflettore contro il prodotto.

Controllo dopo il montaggio

- Assicurarsi che tutte le istruzioni di montaggio siano state completate.
- Assicurarsi che nell'imballaggio non siano rimasti componenti.
- Accertarsi che la batteria sia preparata e caricata correttamente.
- Assicurarsi che i bulloni del sedile siano serrati e che il sedile sia regolato correttamente.
- Assicurarsi che gli pneumatici siano correttamente gonfiati.
- Per ottenere risultati di taglio ottimali, verificare il corretto bilanciamento laterale e anteriore/posteriore del piatto di taglio. Assicurarsi che gli pneumatici siano gonfiati correttamente per garantire un piatto di taglio bilanciato.
- Controllare il piatto di taglio e le cinghie di trasmissione. Assicurarsi che le cinghie di trasmissione siano installate correttamente intorno alle pulegge e alla parte interna di tutti gli appositi fermi.
- Controllare i cavi elettrici. Assicurarsi che tutti i cavi e i collegamenti siano al sicuro.
- Assicurarsi che il comando della ruota libera sia nella posizione di "Trasmissione innestata". Fare riferimento a *Trasporto alla pagina 153*.
- Assicurarsi che l'olio motore sia al livello corretto.
- Assicurarsi che il serbatoio sia riempito con il tipo di carburante corretto.
- Assicurarsi di conoscere la posizione e la funzione di tutti i comandi.
- Assicurarsi che il sistema frenante sia in condizioni operative sicure.
- Assicurarsi che il controllo presenza operatore (OPC) e il sistema per operazioni in retromarcia (ROS) funzionino correttamente. Fare riferimento a *Verifica del controllo presenza operatore (OPC) alla pagina 124* e *Verifica del sistema per operazioni in retromarcia (ROS) alla pagina 124*.
- Rimuovere l'aria dalla trasmissione prima del primo utilizzo. Fare riferimento a *Rimozione dell'aria dalla trasmissione alla pagina 146*.

Utilizzo

Introduzione



AVVERTENZA: Leggere e comprendere il capitolo sulla sicurezza prima di utilizzare la macchina.

Per il rifornimento del carburante



AVVERTENZA: La benzina è altamente infiammabile. Prestare attenzione e fare rifornimento all'aperto. Fare riferimento a *Sicurezza per l'uso del carburante alla pagina 125*.



ATTENZIONE: Utilizzare sempre il tipo di carburante corretto. Un tipo di carburante errato può danneggiare il prodotto.

- Utilizzare benzina del tipo corretto. Fare riferimento a *Dati tecnici alla pagina 154*. Per ulteriori informazioni sul carburante, fare riferimento al manuale del motore fornito dal relativo produttore.
- Controllare il livello di carburante prima di ogni uso ed effettuare un rifornimento, se necessario.
- Non riempire completamente il serbatoio del carburante. Lasciare uno spazio di almeno 2,5 cm.

Avviamento dell'unità

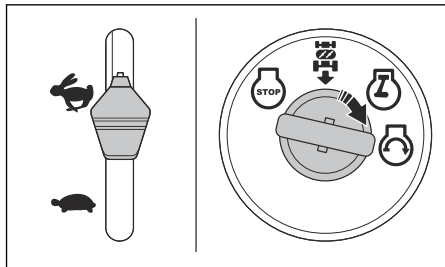
Cosa fare prima di accendere il prodotto



AVVERTENZA: Prima di utilizzare il prodotto, leggere attentamente e assicurarsi di aver compreso le istruzioni di sicurezza e di funzionamento.

1. Effettuare un controllo del livello dell'olio motore. Fare riferimento a *Controllo del livello dell'olio motore alla pagina 145*.
2. Rabboccare il serbatoio del carburante con carburante. Fare riferimento a *Per il rifornimento del carburante alla pagina 128*.
3. Disinserire la modalità ruota libera. Fare riferimento a *Modalità ruota libera del prodotto alla pagina 133*.
4. Sedersi sul sedile in posizione operativa.
5. Inserire il freno di stazionamento. Fare riferimento a *Inserimento e disinserimento del freno di stazionamento alla pagina 131*.
6. Assicurarsi che il piatto di taglio sia disinnestato. Fare riferimento a *Innesto e disinnesto del piatto di taglio alla pagina 132*.

Avviamento di un motore caldo



1. Sedere sul sedile.
2. Assicurarsi che il piatto di taglio sia disinnestato. Fare riferimento a *Innesto e disinnesto del piatto di taglio alla pagina 132*.

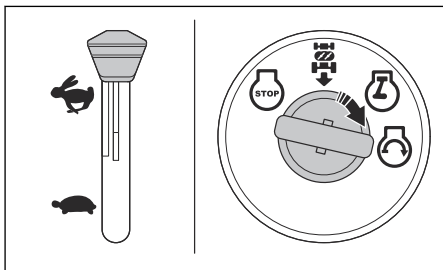
3. Mettere il piatto di taglio in posizione di trasporto. Fare riferimento a *Impostazione del piatto di taglio in posizione di trasporto o di taglio alla pagina 130*.
4. Portare il comando dell'acceleratore nella posizione "veloce".
5. Spingere completamente verso il basso il pedale del freno e tenerlo premuto.
6. Inserire la chiave di accensione nell'interruttore.
7. Ruotare la chiave di accensione in posizione "START" e rilasciarla all'avviamento del motore.



ATTENZIONE: Non far funzionare ininterrottamente il motorino di avviamento per più di 15 secondi al minuto.

8. Se la temperatura è bassa, lasciare riscaldare il motore prima di iniziare a tagliare l'erba.

Avviamento del motore a freddo



1. Sedere sul sedile.
2. Assicurarsi che il piatto di taglio sia disinnestato. Fare riferimento a *Innesto e disinnesto del piatto di taglio alla pagina 132*.
3. Mettere il piatto di taglio in posizione di trasporto. Fare riferimento a *Impostazione del piatto di taglio in posizione di trasporto o di taglio alla pagina 130*.
4. Spostare il comando della valvola dell'aria nella posizione di starter.
5. Spingere completamente verso il basso il pedale del freno e tenerlo premuto.
6. Inserire la chiave di accensione nell'interruttore.
7. Ruotare la chiave di accensione in posizione "START" e rilasciarla all'avviamento del motore.



ATTENZIONE: Non far funzionare ininterrottamente il motorino di avviamento per più di 15 secondi al minuto.

8. Quando il motore si avvia, portare il comando dell'acceleratore nella posizione "veloce" (D) per riscaldare il motore. Se la temperatura è bassa, sono necessari alcuni minuti affinché il motore si riscaldi.



ATTENZIONE: Se la temperatura ambiente è inferiore a 4 °C (40 °F), è necessario lasciare il motore al regime minimo per 1 minuto prima di azionare il prodotto. Ciò consente il riscaldamento della trasmissione. Assicurarsi che la leva di azionamento sia in folle e che il pedale del freno sia completamente rilasciato.

Riscaldare la trasmissione a basse temperature

Nota: Prima di utilizzare il prodotto a basse temperature, riscaldare la trasmissione.

1. Posizionare il prodotto su una superficie piana.
2. Rilasciare il freno di stazionamento e lasciare che il pedale del freno si muova lentamente verso l'alto.
3. Lasciar riscaldare la trasmissione per un minuto. Questa operazione può essere eseguita durante il periodo di riscaldamento del motore.
4. Quando la trasmissione è calda, l'attrezzatura collegata può essere utilizzata durante il periodo di riscaldamento del motore. A tale scopo, potrebbe essere necessario tirare leggermente il comando della valvola dell'aria.

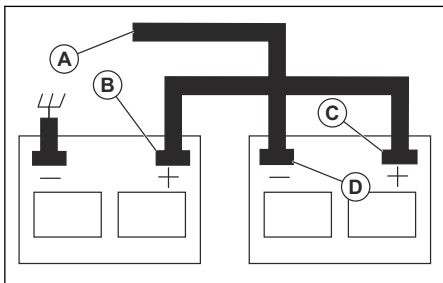
Avviamento del motore con batteria scarica



AVVERTENZA: Le batterie a piombo-acido possono generare gas esplosivi. Tenere le batterie lontane da scintille, fiamme libere e materiali che emettono fumo. Indossare sempre protezione per gli occhi durante la manutenzione delle batterie.

Se la batteria è troppo scarica per avviare il motore, deve essere caricata.

Se si utilizzano dei cavi per l'avviamento di emergenza, procedere come segue:



1. Collegare un'estremità del cavo ROSSO al morsetto POSITIVO (+) di ciascuna batteria (B-C).



ATTENZIONE: Prestare attenzione affinché non si verifichi un cortocircuito sul telaio del prodotto.

2. Collegare un'estremità del cavo NERO al morsetto NEGATIVO (-) (D) di una batteria completamente carica.
3. Collegare l'altra estremità del cavo NERO (A) a un buon punto di massa del telaio, a distanza dal serbatoio del carburante e dalla batteria.

Per rimuovere i cavi di avviamento

Nota: Rimuovere i cavi di avviamento nella sequenza opposta rispetto alla modalità di collegamento.

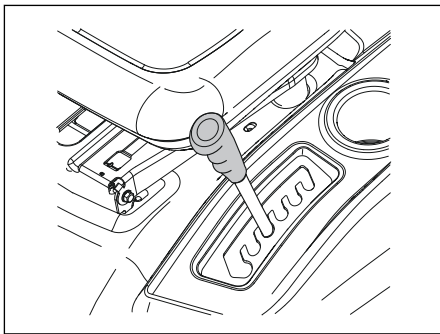
1. Rimuovere il cavo NERO dal telaio.
2. Rimuovere il cavo NERO dalla batteria completamente carica.
3. Rimuovere il cavo ROSSO dalle 2 batterie.

Impostazione del piatto di taglio in posizione di trasporto o di taglio

Il piatto di taglio deve essere in posizione di trasporto durante il trasporto.

- Per impostare il prodotto in posizione di trasporto, tirare la leva dell'altezza di taglio nella direzione del sedile e posizionarla all'altezza di taglio più alta.
- Per impostare il prodotto in posizione di taglio, impostare l'altezza di taglio corretta. Fare riferimento a *Impostazione dell'altezza di taglio alla pagina 130*.

Impostazione dell'altezza di taglio

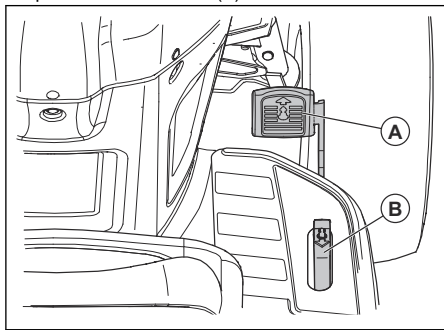


- Tirare la leva di sollevamento nella direzione del sedile e metterla in 1 delle scanalature per la corretta altezza di taglio.

Marcia avanti e retromarcia

La direzione e la velocità di movimento vengono controllate mediante i pedali di marcia avanti e retromarcia.

1. Avviare il motore.
2. Disinserire il freno di stazionamento. Fare riferimento a *Inserimento e disinserimento del freno di stazionamento alla pagina 131*.
3. Per avviare il movimento, premere lentamente verso il basso il pedale di marcia avanti (A) o il pedale di retromarcia (B).

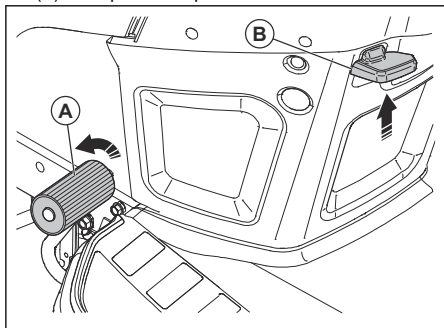


Nota: I pedali di marcia avanti e retromarcia tornano in posizione folle quando non sono premuti.

4. Premere più a fondo il pedale di marcia avanti o il pedale di retromarcia per aumentare la velocità.

Inserimento e disinserimento del freno di stazionamento

1. Per inserire il freno di stazionamento, spingere completamente verso il basso il pedale del freno (A) nella posizione più bassa.



2. Con il pedale del freno spinto verso il basso, tirare verso l'alto la leva del freno di stazionamento (B).
3. Rilasciare il pedale del freno.
4. Rilasciare la leva del freno di stazionamento.

Nota: Assicurarsi che il freno di stazionamento mantenga fermo il prodotto in modo sicuro.

5. Per rilasciare il freno di stazionamento, spingere il pedale del freno verso il basso.

Arresto del prodotto

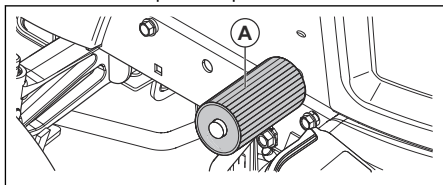


AVVERTENZA: Arrestare sempre il prodotto, innestare il freno di stazionamento e rimuovere la chiave di accensione prima di allontanarsi.

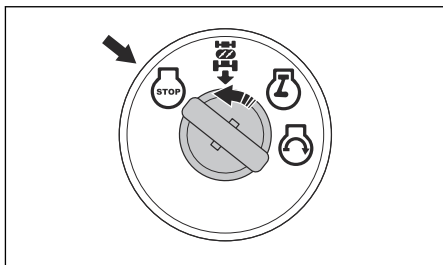


ATTENZIONE: I gas di scarico provenienti dal motore caldo possono danneggiare l'erba bruciandola. Per assicurarsi che questo non avvenga, spegnere sempre il motore quando si arresta il prodotto su aree erbose.

1. Premere a fondo il pedale del freno (A) fino all'arresto completo del prodotto.

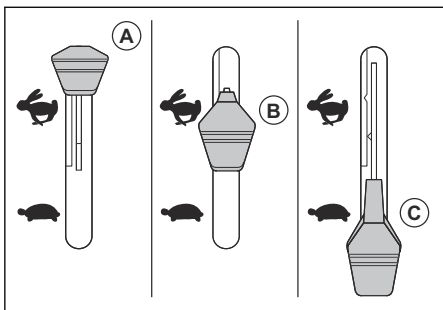


2. Disinnestare il piatto di taglio. Fare riferimento a *Innesto e disinnesto del piatto di taglio alla pagina 132*.
3. Portare il comando dell'acceleratore nella posizione lenta e lasciare che il motore funzioni al regime minimo per alcuni minuti.
4. Portare il piatto di taglio in posizione di trasporto. Fare riferimento a *Impostazione del piatto di taglio in posizione di trasporto o di taglio alla pagina 130*.
5. Ruotare la chiave di accensione sulla posizione "STOP" e rimuoverla dall'accensione.



Utilizzo del comando dell'acceleratore

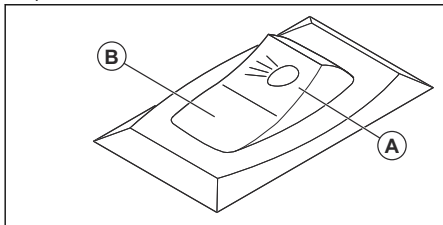
Il comando dell'acceleratore regola il regime motore e la velocità delle lame nel piatto di taglio.



- Quando si avvia un motore freddo, portare il comando dell'acceleratore in posizione di starter (A). Fare riferimento a *Avviamento del motore a freddo alla pagina 129*.
- Portare il comando dell'acceleratore in posizione veloce (B) per far funzionare il motore al regime massimo. Quando si taglia l'erba, il comando dell'acceleratore deve sempre essere in posizione veloce.
- Portare il comando dell'acceleratore in posizione lenta (C) per far funzionare il motore al regime minimo.

Utilizzo del faro anteriore

- Portare l'interruttore di corrente in posizione (A) per accendere il faro anteriore.



- Portare l'interruttore di corrente in posizione (B) per spegnere il faro anteriore.

Innesto e disinnesto del piatto di taglio

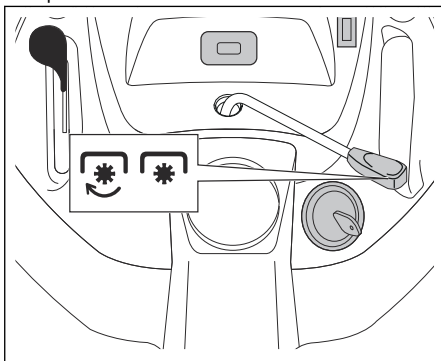


AVVERTENZA: Non azionare il piatto di taglio senza un deflettore o un raccogliherba installato sullo scarico dell'erba.

Il prodotto è dotato di un controllo presenza operatore (OPC). Quando ci si alza dal sedile con il motore acceso e il piatto di taglio innestato, il motore si arresta.

Rimanere completamente seduti al centro del sedile per assicurarsi che il motore funzioni correttamente e non si arresti su terreni accidentati o in pendenza.

1. Impostare l'altezza di taglio corretta. Fare riferimento a *Impostazione dell'altezza di taglio alla pagina 130*.
2. Spostare il comando di innesto frizione.



- a) Spostare il comando di innesto frizione in avanti per innestare il piatto di taglio.
- b) Spostare il comando di innesto frizione all'indietro per disinnestare il piatto di taglio.

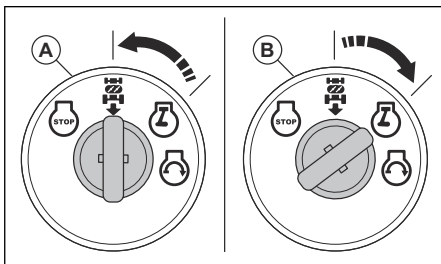
Utilizzo del sistema per operazioni in retromarcia (ROS)

Nota: Se si tenta di spostarsi all'indietro con il prodotto quando il piatto di taglio è innestato, il motore si arresta immediatamente. Inserire il ROS per muoversi all'indietro con il prodotto quando il piatto di taglio è innestato.



AVVERTENZA: Per la sicurezza delle altre persone, prima e durante l'utilizzo del prodotto in retromarcia, guardare in basso e dietro al prodotto.

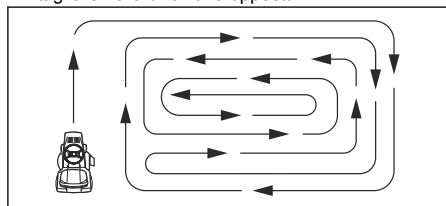
1. Ruotare la chiave di accensione in senso antiorario nella posizione di ROS ON (A) per inserire il ROS.



2. Premere lentamente il pedale di retromarcia per avviare il movimento.
3. Ruotare la chiave di accensione in senso orario nella posizione ON (B) del motore per disinnestare il ROS.

Per ottenere un buon risultato di taglio

- Per garantire le migliori prestazioni, effettuare la manutenzione del prodotto a intervalli regolari come indicato nel programma di manutenzione. Fare riferimento a *Programma di manutenzione alla pagina 135*.
- Non tagliare il prato bagnato. L'erba bagnata può dare un cattivo risultato di taglio.
- Non utilizzare catene per pneumatici quando il piatto di taglio viene fissato al prodotto.
- Assicurarsi che il piatto di taglio sia a livello. Fare riferimento a *Per regolare il parallelismo del piatto di taglio alla pagina 141*.
- Se l'erba è alta, iniziare con un'altezza di taglio elevata e ridurla gradualmente.
- Spostare il prodotto in avanti a bassa velocità se l'erba è alta e folta.
- Utilizzare l'acceleratore al massimo quando si taglia l'erba.
- Tagliare l'erba seguendo un pattern irregolare.
- Utilizzare il lato sinistro del piatto di taglio quando si taglia in prossimità di alberi, cespugli o sentieri. La lama taglia circa 15 mm dal lato del piatto di taglio.
- Quando si tagliano aree di grandi dimensioni, spostare il prodotto verso destra mentre si gira 1 o 2 volte intorno all'area di lavoro. Questa procedura consente di mantenere lo scarico dell'erba lontano da arbusti, recinzioni e vialetti. Dopo circa 2 giri intorno all'area di lavoro, tagliare nella direzione opposta.



- Per ottenere i migliori risultati di taglio, tagliare l'erba frequentemente.

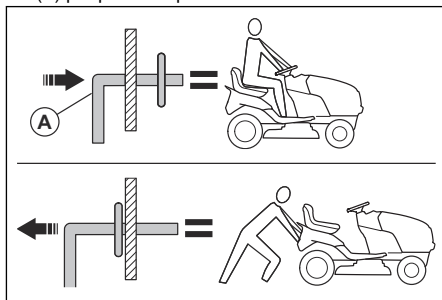
Modalità ruota libera del prodotto

Se occorre spostare o trainare il prodotto senza l'ausilio del motore, è necessario impostare il prodotto in modalità ruota libera.



AVVERTENZA: Non portare il prodotto in modalità ruota libera su una pendenza.

- Spingere la leva di comando della ruota libera (A) per portare il prodotto in modalità ruota libera.



- Estrarre la leva di comando della ruota libera per azionare il prodotto con il motore.

Installazione del tappo per mulching (accessorio)

Il prodotto può essere utilizzato con un tappo per mulching.

1. Portare il piatto di taglio in posizione di trasporto. Fare riferimento a *Impostazione del piatto di taglio in posizione di trasporto o di taglio alla pagina 130*.
2. Rimuovere il raccoglierba o il deflettore di scarico posteriore (accessorio), se installato.
3. Inserire il tappo per mulching attraverso la piastra posteriore e nell'adattatore del deflettore per il piatto di taglio.
4. Collegare le 2 cinghie ai fori sui bracci di supporto del raccoglierba.
5. Installare il raccoglierba o il deflettore di scarico posteriore.
6. Rimuovere il tappo per mulching seguendo la procedura in ordine inverso.

Installazione del raccoglierba (accessorio)

Il prodotto può essere utilizzato con un raccoglierba.

1. Portare il piatto di taglio in posizione di trasporto. Fare riferimento a *Impostazione del piatto di taglio in posizione di trasporto o di taglio alla pagina 130*.
2. Rimuovere il deflettore di scarico posteriore (accessorio) o il tappo per mulching (accessorio), se installato.
3. Inserire lo scivolo di scarico attraverso la piastra posteriore e nell'adattatore del deflettore per il piatto di taglio.
4. Montare i 2 dadi ad alette.
5. Montare il raccoglierba.
6. Rimuovere il raccoglierba seguendo la procedura in ordine inverso.

Manutenzione

Introduzione

prima di eseguire la manutenzione del prodotto.



AVVERTENZA: Leggere attentamente il capitolo sulla sicurezza

Programma di manutenzione

Programma di manutenzione		Prima di ogni utilizzo	Ogni 8 ore	Ogni 25 ore	Ogni 50 ore	Ogni 100 ore	Ogni stagione	Prima del ri-messa-ggio
Prodotto	Verificare il funzionamento del freno.	X	X					
	Controllare la pressione degli pneumatici.	X	X					
	Verificare il controllo presenza operatore (OPC).	X						
	Verificare il sistema di funzionamento in retromarcia (ROS).	X						
	Controllare eventuali dispositivi di fissaggio allentati.	X				X		X
	Esaminare le lame per verificare la presenza di usura e danni.			X ²				
	Lubrificare il prodotto. Fare riferimento a <i>Programma di lubrificazione alla pagina 136</i> .			X				X
	Verificare il livello di carica della batteria.			X				
	Pulire la batteria e i morsetti.			X				X
	Rimuovere i detriti dalla piastra dello sterzo. Fare riferimento a <i>Pulizia del prodotto alla pagina 137</i> .			X				
	Controllare la ventola di raffreddamento del cambio differenziale.			X				
	Assicurarsi che il piatto di taglio sia a livello.					X		
Controllare le cinghie trapezoidali.						X		

²

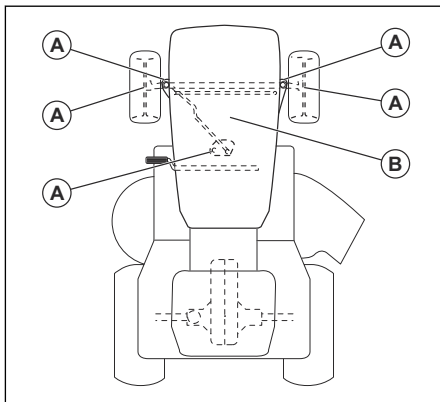
Esaminare le lame più frequentemente se si taglia in presenza di sabbia o terra.

Programma di manutenzione		Prima di ogni utilizzo	Ogni 8 ore	Ogni 25 ore	Ogni 50 ore	Ogni 100 ore	Ogni stagione	Prima del rimessaggio
Motore	Effettuare un controllo del livello dell'olio motore.	X	X					
	Sostituire l'olio motore e il filtro dell'olio.					X ¹		X
	Pulire il filtro dell'aria.			X ³				
	Pulire la griglia dell'aria.			X ³				
	Ispezionare la marmitta e il parascintille.				X			
	Sostituire il filtro dell'olio.					X ¹		
	Pulire le alette di raffreddamento del motore.					X ³		
	Sostituire la candela.					X	X	
	Sostituire la cartuccia di carta del filtro dell'aria.				X ³			
	Sostituire il filtro del carburante						X	

Programma di lubrificazione



ATTENZIONE: Non lubrificare i punti di articolazione dotati di speciali cuscinetti in nylon. I lubrificanti appiccicosi possono far attaccare lo sporco. La sporcizia riduce la durata degli speciali cuscinetti in nylon. Se occorre lubrificare i cuscinetti in nylon, utilizzare solo una piccola quantità di lubrificante del tipo a secco.



A. Lubrificazione generale. Lubrificare il collegamento di ingrassaggio dell'alberino, il cuscinetto della ruota anteriore, i denti degli ingranaggi dello sterzo.

- 1 Ripetere con maggiore frequenza in caso di utilizzo con carichi pesanti, a temperature ambiente elevate o in presenza di sporco.
- 3 Ripetere più frequentemente se si lavora in presenza di sporco.
- 3 Ripetere più frequentemente se si lavora in presenza di sporco.
- 1 Ripetere con maggiore frequenza in caso di utilizzo con carichi pesanti, a temperature ambiente elevate o in presenza di sporco.
- 3 Ripetere più frequentemente se si lavora in presenza di sporco.
- 3 Ripetere più frequentemente se si lavora in presenza di sporco.

B. Lubrificazione del motore. Fare riferimento a *Lubrificazione del motore alla pagina 144.*

Trattore

Pulizia del prodotto

Non utilizzare un tubo da giardino o un dispositivo di lavaggio a pressione per pulire la superficie, ad eccezione dell'apertura di lavaggio. Evitare che il motore e la trasmissione entrino in contatto con l'acqua. La presenza d'acqua all'interno del motore o della trasmissione può ridurre la durata del prodotto. Per rimuovere erba, foglie e rifiuti, utilizzare aria compressa o un soffiatore per foglie.

- Rimuovere tutto il materiale indesiderato dal motore, dalla batteria, dal sedile e dagli altri componenti del prodotto.
- Rimuovere sporcizia e detriti dalla piastra dello sterzo. Questi limitano il movimento dell'asse del pedale del freno/frizione, causano l'allentamento della cinghia e riducono il movimento di avanzamento.



ATTENZIONE: Evitare tutti i punti di rischio e le parti mobili.

- Mantenere le superfici e le ruote prive di benzina, olio, ecc.
- Utilizzare della cera per automobili per evitare di danneggiare le superfici.

Utilizzo dell'apertura di lavaggio del piatto

Il piatto di taglio è dotato di un'apertura di lavaggio del piatto che fa parte del sistema di pulizia del piatto di taglio.



AVVERTENZA: Non utilizzare il prodotto se l'apertura di lavaggio del piatto è rotta o mancante. Sussiste il rischio del lancio di oggetti. Sostituire immediatamente un'apertura di lavaggio del piatto rotta o mancante.

Nota: Per i modelli con protezioni, l'apertura di lavaggio del piatto è installata sulla protezione del lato sinistro di fronte allo pneumatico posteriore.

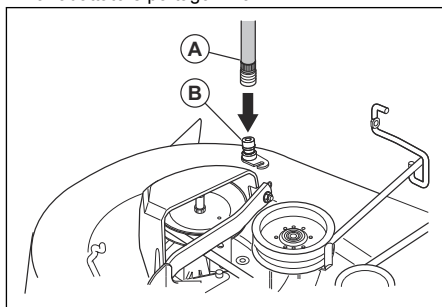
1. Parcheggiare il prodotto in un'area libera sul prato, vicino a una fonte d'acqua con un tubo da giardino.



ATTENZIONE: Non dirigere lo scivolo di scarico del prodotto verso edifici o veicoli.

2. Assicurarsi che il piatto di taglio sia disinnestato. Fare riferimento a *Innesto e disinnesto del piatto di taglio alla pagina 132.*
3. Ruotare la chiave di accensione in posizione STOP per arrestare il motore.

4. Inserire il freno di stazionamento.
5. Rimuovere lo scivolo raccogliherba o il tappo per mulching, se installato.
6. Inserire l'adattatore portagomma sull'estremità del tubo da giardino (A). Assicurarsi che il tubo da giardino sia collegato completamente all'adattatore portagomma.



7. Tirare indietro il collare di bloccaggio dell'adattatore portagomma e spingere quest'ultimo sull'apertura di lavaggio del piatto (B).
8. Tirare con cautela il tubo da giardino per assicurarsi che sia completamente collegato.
9. Rilasciare il collare di blocco in modo da bloccare l'adattatore sull'apertura di lavaggio del piatto.
10. Avviare l'impianto idrico domestico.
11. Sedersi sul sedile e avviare il motore.



ATTENZIONE: Esaminare nuovamente l'area per assicurarsi che sia libera.

12. Portare il comando dell'acceleratore nella posizione "veloce". Fare riferimento a *Utilizzo del comando dell'acceleratore alla pagina 131.*
13. Innestare il piatto di taglio e lasciarlo in funzione fino alla completa pulizia. Fare riferimento a *Innesto e disinnesto del piatto di taglio alla pagina 132.*
14. Disinnestare il piatto di taglio. Fare riferimento a *Innesto e disinnesto del piatto di taglio alla pagina 132.*
15. Ruotare la chiave di accensione in posizione STOP per arrestare il motore.
16. Interrompere l'erogazione dell'acqua.
17. Tirare indietro il collare di bloccaggio dell'adattatore portagomma e scollegare quest'ultimo dall'apertura di lavaggio del piatto.
18. Spostare il prodotto in un luogo asciutto.
19. Innestare il piatto di taglio e lasciarlo in funzione fino alla completa asciugatura.

Regolazione del cavo di comando dell'acceleratore

Il comando dell'acceleratore è impostato in fabbrica e non dovrebbe essere necessaria alcuna regolazione. Nel caso in cui fosse necessaria la regolazione, consultare il manuale del motore.

Controllo di interblocchi e relè

Nota: Cavi allentati o danneggiati possono compromettere il funzionamento del prodotto, causarne l'arresto o impedirne l'avviamento.

- Esaminare i cavi.

Sostituzione di una lampadina dei fari anteriori

1. Aprire il cofano motore.
2. Ruotate leggermente il portalampada in senso antiorario ed estrarlo dal supporto dietro alla griglia.
3. Sostituire la lampadina nel portalampada.
4. Spingere il portalampada nel supporto dietro alla griglia.
5. Ruotare il portalampada leggermente in senso orario per installarlo.
6. Chiudere il cofano.

Controllo degli pneumatici

Nota: Per sigillare gli pneumatici forati e per evitare che si sgonfino a causa di lievi perdite, acquistare del sigillante presso il proprio rivenditore di ricambi locale. Il sigillante per pneumatici impedisce inoltre la screpolatura, la perdita di elasticità e la corrosione degli pneumatici.

- Assicurarsi che la pressione dell'aria di tutti gli pneumatici sia corretta (vedere la pressione corretta indicata sui fianchi degli pneumatici).
- Evitare che gli pneumatici entrino in contatto con benzina, olio o sostanze chimiche repellenti per insetti che potrebbero danneggiare la gomma.
- Mantenere gli pneumatici a distanza da ceppi, pietre, radici, fossi, oggetti appuntiti e altri oggetti pericolosi che potrebbero danneggiare gli pneumatici.

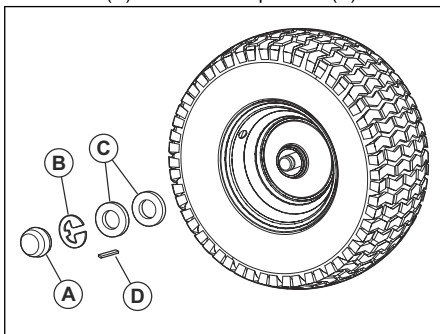
Riparazione degli pneumatici

1. Sollevare l'asse anteriore e sostenerlo in modo sicuro.



ATTENZIONE: Sollevare e sostenere un asse alla volta.

2. Rimuovere il parapolvere (A), l'E-clip (B), la rondella (C) e la chiave quadrata (D).



Nota: Sono presenti chiavi quadrate solo sulle ruote posteriori.

3. Rimuovere la ruota dall'assale.
4. Rimuovere lo pneumatico dalla ruota.
5. Riparare lo pneumatico.

Nota: Utilizzare sigillante per pneumatici per sigillare i fori nello pneumatico. Il sigillante per pneumatici impedisce inoltre la screpolatura, la perdita di elasticità e la corrosione degli pneumatici.

6. Installare lo pneumatico sulla ruota.
7. Installare la ruota, la rondella, la chiave quadrata e l'E-clip sull'assale. Assicurarsi che l'E-clip sia installata correttamente nella scanalatura sull'assale.
8. Installare il parapolvere.

Controllo delle cinghie trapezoidali

Le cinghie non sono regolabili.

- Esaminare le cinghie trapezoidali per verificare che non siano deteriorate e usurate ogni 100 ore di funzionamento.
- Sostituire le cinghie trapezoidali se iniziano a muoversi perché eccessivamente usurate.

Manutenzione della ventola di raffreddamento del cambio differenziale



ATTENZIONE: Non pulire la ventola o la trasmissione quando il motore è in funzione o con trasmissione calda.



ATTENZIONE: Non utilizzare una lancia ad alta pressione o a vapore. L'acqua può entrare nei cuscinetti e nei collegamenti elettrici e causare una corrosione che può danneggiare il prodotto.

Per mantenere fredda la trasmissione, tenere pulite la relativa ventola e le alette di raffreddamento.

- Prima di pulire con acqua, pulire con una spazzola. Rimuovere l'erba tagliata e lo sporco sopra e intorno alla ventola e alle alette di raffreddamento del cambio differenziale.
- Controllare la ventola di raffreddamento per assicurarsi che le pale della ventola siano pulite e non danneggiate.

Controllo del fluido della pompa del cambio differenziale

- Assicurarsi che non vi siano perdite del fluido della pompa del cambio differenziale.
- In caso di perdite del fluido della pompa del cambio differenziale, rivolgersi al più vicino centro assistenza o reparto specializzato autorizzato.

Regolazione della convergenza e della campanatura delle ruote anteriori

La convergenza e la campanatura delle ruote anteriori sono impostate correttamente in fabbrica. La convergenza e la campanatura delle ruote anteriori non sono regolabili.

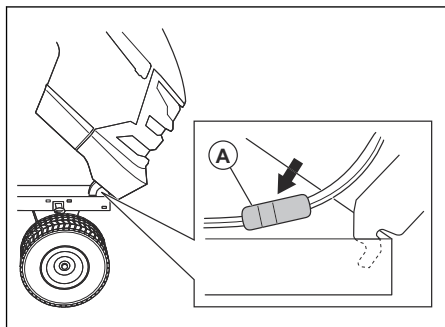
- In caso di problemi, rivolgersi a un centro assistenza autorizzato per ripristinare la convergenza e la campanatura delle ruote anteriori impostate in fabbrica.

Sostituzione del fusibile

Questo prodotto è dotato di un fusibile da 20 A, di tipo automobilistico. Il portafusibili è posizionato dietro al cruscotto.

1. Tenere fermo il portafusibili ed estrarre il fusibile bruciato.
2. Inserire un nuovo fusibile nel portafusibili.

Rimuovere e installare il cofano e il gruppo griglia

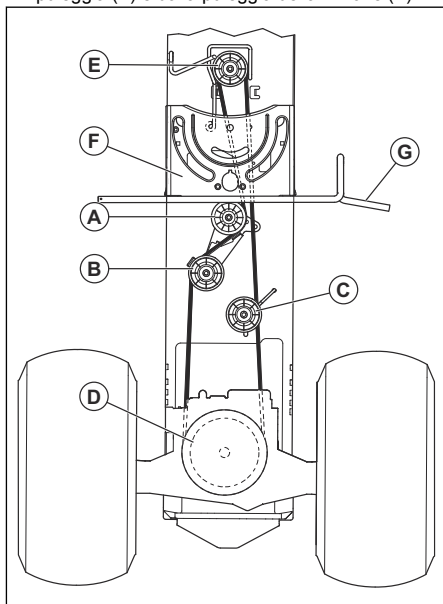


1. Sollevare il cofano motore.
2. Scollegare il connettore del cavo del faro anteriore (A).

3. Rimanere davanti al trattore. Tenere il cofano sui lati. Inclinare il cofano nella direzione del motore e sollevarlo per rimuoverlo dal prodotto.
4. Montare, seguendo i passaggi nell'ordine inverso.

Sostituzione della cinghia di trasmissione

1. Parcheggiare il prodotto su una superficie piana e inserire il freno di stazionamento. Fare riferimento a *Inserimento e disinserimento del freno di stazionamento alla pagina 131*.
2. Rimuovere il piatto di taglio. Fare riferimento a *Rimozione e installazione del piatto di taglio alla pagina 141*.
3. Rimuovere la cinghia di trasmissione dalla puleggia (A) e dalla puleggia della frizione (B).



4. Rimuovere la cinghia di trasmissione dalla puleggia della cinghia (C).
5. Tirare indietro la cinghia servizi e rimuoverla dalla puleggia di ingresso (D) della trasmissione e sopra le pale della ventola di raffreddamento.
6. Rimuovere la cinghia di trasmissione dalla puleggia del motore (E) sull'albero motore.
7. Spostare la cinghia all'indietro e sopra la piastra dello sterzo (F) per rimuoverla.
8. Installare una nuova cinghia di trasmissione seguendo la procedura contraria. Accertarsi di installare la cinghia di trasmissione sulla parte superiore della piastra di supporto (F) dello sterzo e sull'albero (G) del pedale della frizione/del freno.

Batteria

Manutenzione della batteria

Nota: La batteria del prodotto non necessita di manutenzione. Non aprire o rimuovere i cappucci o i coperchi.

Nota: Caricare regolarmente la batteria con un caricabatteria per auto per prolungare la durata della batteria.

- Mantenere puliti la batteria e i morsetti.
- Assicurarsi che tutti i bulloni che mantengono in posizione la batteria e i cavi siano serrati in modo sicuro.
- Tenere aperti i piccoli fori di sfogo della batteria.
- Caricare la batteria a 6-10 A per 1 ora.

Pulizia della batteria e dei morsetti

Corrosione e sporcizia su batteria e morsetti possono ridurre la potenza della batteria.

1. Rimuovere la protezione del morsetto.
2. Scollegare il cavo della batteria NERO.
3. Scollegare il cavo della batteria ROSSO e rimuovere la batteria dal prodotto.
4. Spruzzare acqua sulla batteria e lasciare asciugare.
5. Pulire i morsetti e le estremità dei cavi della batteria con una spazzola metallica.
6. Lubrificare i morsetti con grasso o simili.
7. Installare la batteria. Fare riferimento a *Sostituzione della batteria alla pagina 140.*

Sostituzione della batteria

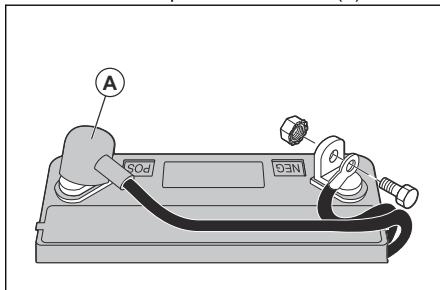
La batteria è installata al di sotto del sedile.



AVVERTENZA: Rischio di scossa elettrica e ustioni. Non utilizzare bracciali o altri accessori in metallo. Gli oggetti metallici che toccano i terminali della batteria possono causare ustioni, scosse elettriche e il cortocircuito della batteria.

1. Arrestare il prodotto. Fare riferimento a *Arresto del prodotto alla pagina 131.*
2. Ripiegare il sedile in avanti.

3. Rimuovere le coperture dei morsetti (A).



4. Rimuovere il bullone e il dado per scollegare il cavo nero (negativo) della batteria dal terminale negativo (-).



AVVERTENZA: Rischio di scossa elettrica e ustioni. Il cavo nero (negativo) della batteria deve essere scollegato prima di scollegare il cavo rosso (positivo) della batteria.

5. Rimuovere il bullone e il dado per scollegare il cavo rosso (positivo) della batteria dal morsetto positivo (+).
6. Rimuovere con cautela la batteria dal prodotto.
7. Montare una batteria nuova.
8. Collegare il cavo della batteria rosso (positivo) al morsetto positivo (+) e serrare il bullone e il dado.



AVVERTENZA: Rischio di scossa elettrica e ustioni. Il cavo rosso (positivo) della batteria deve essere collegato al morsetto positivo (+) prima che il cavo nero (negativo) della batteria sia collegato al morsetto negativo (-) per evitare lesioni e la messa a terra accidentale.

9. Collegare il cavo nero (negativo) della batteria al morsetto negativo (-) e serrare il bullone e il dado.
10. Installare le coperture dei terminali.
11. Ripiegare il sedile all'indietro.

Per collegare i cavi di avviamento

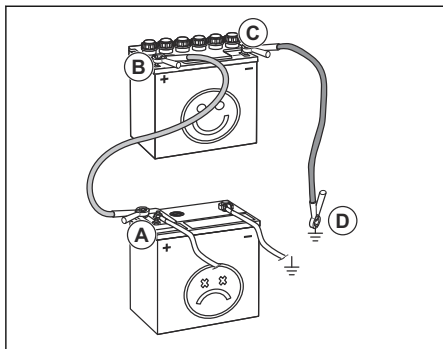


AVVERTENZA: Rischio di esplosione a causa di gas esplosivo che fuoriesce dalla batteria. Non collegare il morsetto negativo della batteria carica al morsetto negativo della batteria scarica o in prossimità di quest'ultimo.



ATTENZIONE: Non utilizzare la batteria del prodotto per avviare altri veicoli.

1. Collegare un'estremità del cavo rosso al morsetto POSITIVO (+) (A) della batteria alla batteria scarica.



2. Collegare l'altra estremità del cavo rosso al morsetto POSITIVO (+) (B) della batteria alla batteria carica.



AVVERTENZA: Evitare il contatto delle estremità del cavo rosso della batteria con il telaio. Ciò può causare un cortocircuito.

3. Collegare un'estremità del cavo nero al morsetto NEGATIVO (-) (C) della batteria alla batteria carica.
4. Collegare l'altra estremità del cavo nero a un PUNTO DI MASSA SUL TELAIO (D), lontano dal serbatoio del carburante e dalla batteria.

Per rimuovere i cavi di avviamento

Nota: Rimuovere i cavi di avviamento nella sequenza opposta rispetto alla modalità di collegamento.

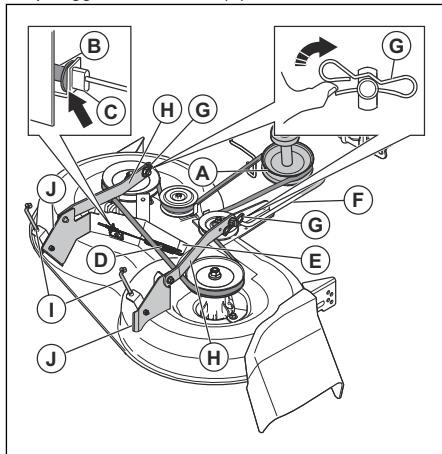
1. Rimuovere il cavo NERO dal telaio.
2. Rimuovere il cavo NERO dalla batteria completamente carica.
3. Rimuovere il cavo ROSSO dalle 2 batterie.

Piatto di taglio

Rimozione e installazione del piatto di taglio

Nota: Se occorre utilizzare un accessorio diverso dal piatto di taglio, l'articolazione anteriore e le articolazioni di sollevamento posteriori devono essere rimosse dal prodotto. Inoltre, la molla del cavo della frizione deve essere inserita nella guida del cavo sul bordo anteriore del cruscotto inferiore.

1. Disinnestare il piatto di taglio. Fare riferimento a *Innesto e disinnesco del piatto di taglio alla pagina 132*.
2. Arrestare il prodotto. Fare riferimento a *Arresto del prodotto alla pagina 131*.
3. Abbassare il piatto di taglio nella posizione più bassa.
4. Rimuovere la cinghia di trasmissione dalla puleggia della frizione (A).



5. Rimuovere il cavo della frizione (B), spingere la linguetta (C) e spostare il cavo della frizione al di fuori della staffa.
6. Rimuovere con cautela la molla del cavo della frizione (D) dal braccio del galoppino (E).
7. Scollegare l'articolazione anteriore (F) dal piatto di taglio e rimuovere la molla di ritegno e la rondella.
8. Rimuovere i fermi (G) e scollegare i bracci delle sospensioni (H) dai perni del telaio.
9. Scollegare le articolazioni di sollevamento posteriori (I) dalle staffe del piatto di taglio posteriori (J) su ciascun lato del piatto di taglio.
10. Rimuovere il piatto di taglio dal prodotto.
11. Installare il piatto di taglio seguendo la procedura inversa. Accertarsi che il lato di scarico si trovi sul lato destro del prodotto.

Nota: I bracci delle sospensioni devono essere in posizione avanzata prima di spostare il piatto di taglio al di sotto del prodotto.

Per regolare il parallelismo del piatto di taglio

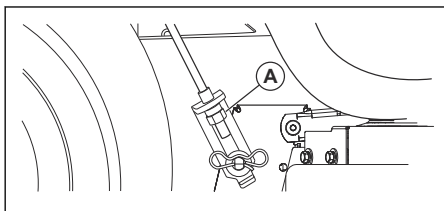
Regolazione visiva laterale del piatto di taglio

Se l'altezza di taglio non è la stessa sul lato destro e sinistro del prodotto, è possibile regolare l'altezza di taglio. Regolare l'altezza di taglio sul lato del piatto di taglio con l'altezza di taglio minore.

1. Assicurarsi che gli pneumatici siano completamente gonfiati.
2. Parcheggiare il prodotto su una superficie piana.
3. Mettersi sul lato del piatto di taglio con l'altezza di taglio minore.

Nota: Alcuni modelli presentano la regolazione solo sul lato sinistro.

4. Regolare l'altezza di taglio con una chiave da 3/4".



Nota: Ogni giro completo del dado di regolazione del sollevamento modifica l'altezza del piatto di taglio di 4,7 mm (3/16 di pollice).

- a) Ruotare verso sinistra il dado di regolazione del sollevamento (A) per abbassare il piatto di taglio.
 - b) Ruotare verso destra il dado di regolazione del sollevamento (A) per sollevare il piatto di taglio.
5. Tagliare dell'erba ed esaminare i risultati. Regolare se necessario.

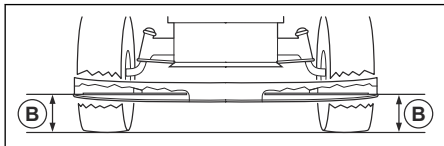
Regolazione laterale di precisione del piatto di taglio

1. Assicurarsi che gli pneumatici siano completamente gonfiati.
2. Parcheggiare il prodotto su una superficie piana.
3. Portare il piatto di taglio in posizione di trasporto. Fare riferimento a *Impostazione del piatto di taglio in posizione di trasporto o di taglio alla pagina 130*.
4. Girare tutte le punte delle lame esterne per allinearle lateralmente al piatto di taglio.



AVVERTENZA: Le lame sul piatto di taglio sono affilate e possono causare lesioni. Usare guanti protettivi.

5. Misurare la distanza (B) tra il bordo inferiore della lama e il suolo sul lato destro e sinistro.

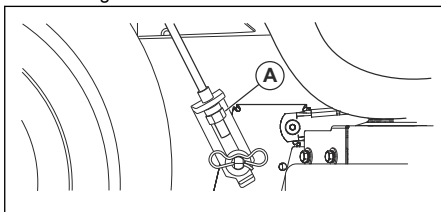


Nota: La distanza deve essere uguale su entrambi i lati.

6. Regolare l'altezza di taglio con una chiave da 3/4".

Nota: Ogni giro completo del dado di regolazione di sollevamento modifica l'altezza di taglio di 4,7 mm (3/16 di pollice).

- a) Ruotare verso sinistra il dado di regolazione del sollevamento (A) per abbassare il piatto di taglio.



- b) Ruotare verso destra il dado di regolazione del sollevamento (A) per sollevare il piatto di taglio.
7. Misurare di nuovo la distanza. Regolare fino a quando i 2 lati non sono uguali.
 8. Tagliare dell'erba ed esaminare i risultati. Regolare se necessario.

Regolazione anteriore/posteriore del piatto di taglio

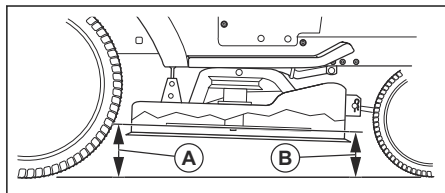
Il piatto di taglio deve essere a livello da lato a lato prima di eseguire una regolazione anteriore/posteriore. Fare riferimento a *Regolazione visiva laterale del piatto di taglio alla pagina 141*.

1. Assicurarsi che gli pneumatici siano completamente gonfiati.
2. Parcheggiare il prodotto su una superficie piana.
3. Mettere il piatto di taglio in posizione di trasporto. Fare riferimento a *Impostazione del piatto di taglio in posizione di trasporto o di taglio alla pagina 130*.
4. Ruotare le lame fino a quando non puntano in avanti.



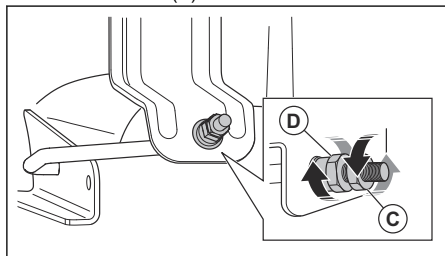
AVVERTENZA: Le lame sul piatto di taglio sono affilate e possono causare lesioni. Usare guanti protettivi.

5. Misurare la distanza da terra in corrispondenza dell'estremità posteriore (A) e anteriore (B) della lama.



Nota: Per ottenere i migliori risultati di taglio, le lame di taglio devono essere regolate fino a quando l'estremità anteriore non è di 3,1-12,7 mm (1/8"-1/2") più in basso rispetto all'estremità posteriore quando il piatto di taglio si trova nella sua posizione più alta.

6. Spostarsi verso la parte anteriore del prodotto per effettuare una regolazione.
7. Servendosi di una chiave da 11/16", allentare il controdado (C) per liberare il dado di regolazione di sollevamento (D).



8. Regolare l'altezza del piatto di taglio con una chiave da 3/4".

Nota: Ogni giro completo del dado di regolazione di sollevamento modifica l'altezza del piatto di taglio di 3,1 mm (1/8 di pollice).

- a) Ruotare il dado di regolazione del sollevamento in senso antiorario per abbassare il piatto di taglio.
- b) Ruotare il dado di regolazione del sollevamento in senso orario per sollevare il piatto di taglio.
9. Misurare nuovamente la distanza anteriore e posteriore.
10. Regolare fino a quando l'estremità anteriore della lama non è 3,1-12,7 mm (1/8-1/2") più bassa dell'estremità posteriore.
11. Tenere il dado di regolazione di sollevamento in posizione con la chiave e stringere il controdado.

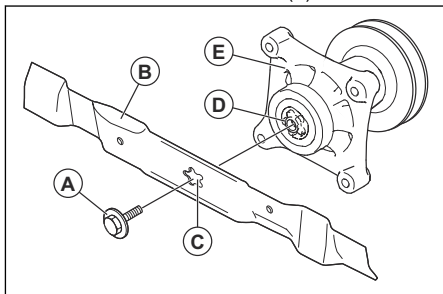
Sostituzione delle lame

Per ottenere risultati ottimali, mantenere affilate le lame di taglio. Sostituire le lame piegate o danneggiate.



ATTENZIONE: Utilizzare esclusivamente lame di ricambio approvate dal produttore. È estremamente pericoloso utilizzare una lama non approvata dal produttore. Questa può causare danni al prodotto e invalidare la garanzia.

1. Mettere il piatto di taglio in posizione di trasporto. Fare riferimento a *Impostazione del piatto di taglio in posizione di trasporto o di taglio alla pagina 130*.
2. Rimuovere il bullone (A) ruotandolo in senso antiorario e rimuovere la lama (B).



AVVERTENZA: Le lame sul piatto di taglio sono affilate e possono causare lesioni. Usare guanti protettivi.

3. Montare la lama nuova o affilata e il bullone.



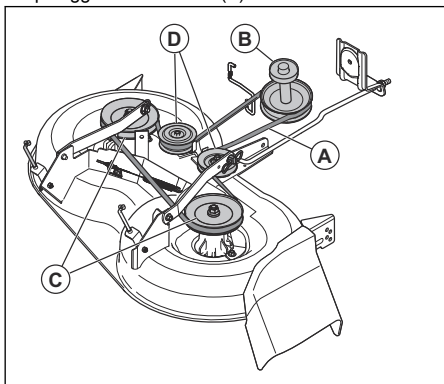
ATTENZIONE: Il foro centrale (C) nella lama deve essere allineato alla stella (D) sul gruppo del mozzo porta lama (E).

4. Serrare il bullone a 62-75 Nm (45-55 ft-lb).

Rimozione della cinghia di trasmissione per piatto di taglio

1. Parcheggiare il prodotto su una superficie piana e inserire il freno di stazionamento. Fare riferimento a *Inserimento e disinserimento del freno di stazionamento alla pagina 131*.
2. Rimuovere il piatto di taglio. Fare riferimento a *Rimozione e installazione del piatto di taglio alla pagina 141*.
3. Rimuovere sporcizia ed erba dai mozzi porta lama e dalla superficie superiore del piatto di taglio.

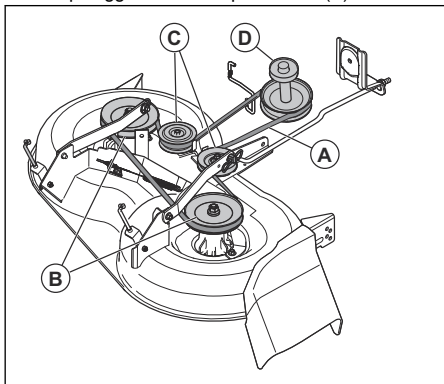
4. Rimuovere la cinghia di trasmissione (A) dalla puleggia della frizione (B) sull'albero motore.



5. Rimuovere la cinghia di trasmissione dalle pulegge del mozzo porta lama (C) e dalle pulegge del galoppino (D).

Installazione della cinghia di trasmissione per piatto di taglio

1. Installare la cinghia di trasmissione (A) intorno alle pulegge del mozzo porta lama (B).



ATTENZIONE: Inserire correttamente la cinghia di trasmissione in tutte le scanalature sulle pulegge del piatto di taglio. La cinghia di trasmissione può danneggiarsi se non è installata correttamente.

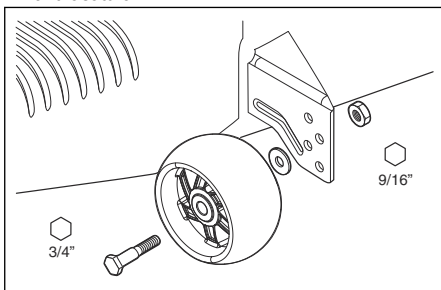
2. Installare la cinghia di trasmissione intorno alle pulegge del galoppino (C).
3. Installare la cinghia di trasmissione intorno alla puleggia della frizione (D) sull'albero motore.
4. Installare il piatto di taglio dal prodotto. Fare riferimento a *Rimozione e installazione del piatto di taglio alla pagina 141*.

5. Mettere il piatto di taglio in posizione di trasporto. Fare riferimento a *Impostazione del piatto di taglio in posizione di trasporto o di taglio alla pagina 130*.

Regolazione dei rulli antirasatura

I rulli antirasatura mantengono il piatto di taglio nella posizione corretta sul terreno e impediscono la rasatura del prato sulla maggior parte dei terreni. I rulli antirasatura sono regolati correttamente quando sono leggermente sollevati dal terreno con il piatto di taglio all'altezza di taglio necessaria.

1. Parcheggiare il prodotto su una superficie piana e arrestare il motore.
2. Regolare il prodotto all'altezza di taglio necessaria. Fare riferimento a *Impostazione dell'altezza di taglio alla pagina 130*.
3. Rimuovere il dado, il bullone, la rondella e il rullo antirasatura.

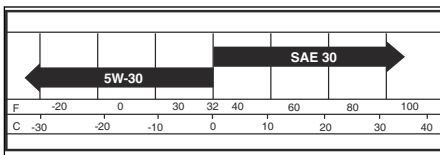


4. Installare il rullo antirasatura, il bullone, la rondella e il dado nella posizione corretta.
5. Regolare tutti i rulli antirasatura e installarli seguendo la stessa procedura.

Motore

Lubrificazione del motore

Utilizzare esclusivamente olio detergente di alta qualità con classificazione API SJ-SN. Il grado di viscosità SAE dell'olio si riferisce alla temperatura operativa corretta.



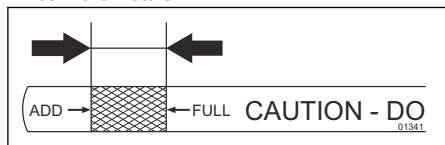
Nota: Gli oli multigrado (5W30, 10W30, ecc.) facilitano l'avviamento del motore a basse temperature, ma determinano un aumento del consumo di olio se utilizzati a temperature superiori a 0 °C / 32 °F. Controllare spesso il livello dell'olio motore per evitare possibili danni al motore causati da un livello dell'olio insufficiente.

- Cambiare l'olio ogni 50 ore di funzionamento. Se il prodotto non viene utilizzato per 50 ore in un anno, cambiare l'olio almeno 1 volta l'anno.
- Controllare il livello dell'olio nel carter motore prima di avviare il motore e ogni otto (8) ore di funzionamento.
- Stringere il tappo di rifornimento dell'olio con l'asta di livello ogni volta che si esegue il controllo del livello dell'olio.

Controllo del livello dell'olio motore

Il motore nel prodotto è riempito di olio motore per temperature ambiente superiori a 0 °C (32 °F). Per il funzionamento a temperature ambiente inferiori a 0 °C (32 °F), utilizzare l'olio motore corretto per facilitare l'avviamento del prodotto. Fare riferimento a *Dati tecnici alla pagina 154*.

1. Parcheggiare il prodotto su un terreno piano.
2. Rimuovere il tappo di rifornimento dell'olio e l'asta di livello e pulirli con panno.
3. Inserire l'asta di livello nel tubo di rifornimento dell'olio. Non ruotare il tappo di rifornimento dell'olio sul tubo di rifornimento dell'olio.
4. Rimuovere l'asta di livello. Utilizzare il misuratore sull'asta di livello per controllare il livello dell'olio motore. Se necessario, rabboccare l'olio motore fino a raggiungere il segno "FULL" (pieno) sull'asta di livello. Non riempire eccessivamente con l'olio motore.



5. Inserire l'asta di livello nel tubo di rifornimento dell'olio. Assicurarsi che il tappo di rifornimento dell'olio sia stretto saldamente.

Nota: Per cambiare l'olio motore, fare riferimento a *Cambio dell'olio motore alla pagina 145*.

Cambio dell'olio motore

Se il motore è freddo, avviare il motore per 1-2 minuti prima di scaricare l'olio motore. Ciò comporta il riscaldamento dell'olio motore, velocizzando lo scarico.



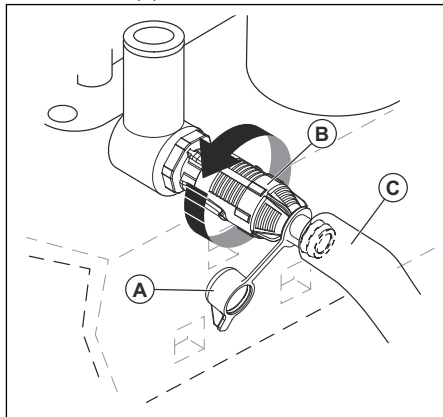
AVVERTENZA: Non avviare il motore per più di 1-2 minuti prima di scaricare l'olio motore. L'olio motore diventa molto caldo e può causare ustioni. Lasciare che il motore si raffreddi prima di scaricare l'olio motore.



AVVERTENZA: Usare guanti protettivi. In caso di sversamento

accidentale dell'olio motore sul corpo, lavare con acqua e sapone.

1. Posizionare il prodotto su una superficie piana e arrestarlo. Fare riferimento a *Arresto del prodotto alla pagina 131*.
2. Rimuovere tutta la sporcizia intorno al tappo del serbatoio dell'olio.
3. Rimuovere il tappo del serbatoio dell'olio e l'asta di livello.
4. Rimuovere il tappo giallo (A) dalla valvola di scarico olio (B).



5. Collegare il tubo di scarico (C) alla valvola di scarico dell'olio.
6. Posizionare un contenitore sotto il motore per raccogliere l'olio motore e posizionare l'altra estremità del tubo di scarico dell'olio nel contenitore.
7. Spingere e ruotare la valvola di scarico dell'olio in senso antiorario per sbloccarla.
8. Estrarre la valvola di scarico per aprirla.
9. Fare scorrere l'olio motore nel contenitore.
10. Spingere e ruotare la valvola di scarico dell'olio in senso orario per chiuderla e bloccarla.
11. Togliere il tubo di scarico dell'olio.
12. Installare il tappo giallo.
13. Riempire con nuovo olio tramite l'imboccatura per il riempimento e verificare il livello dell'olio motore. Fare riferimento a *Controllo del livello dell'olio motore alla pagina 145*.
14. Montare il tappo del serbatoio dell'olio e l'asta di livello.

Nota: Per lo smaltimento sicuro dell'olio motore esausto, fare riferimento a *Smaltimento alla pagina 154*.

Sostituzione del filtro dell'olio motore



AVVERTENZA: Usare guanti protettivi. In caso di sversamento accidentale dell'olio motore sul corpo, lavare con acqua e sapone.

1. Scaricare l'olio motore dal serbatoio dell'olio. Fare riferimento a *Cambio dell'olio motore alla pagina 145*.
2. Ruotare il filtro dell'olio motore in senso antiorario per rimuoverlo.
3. Lubrificare leggermente la guarnizione in gomma sul nuovo filtro dell'olio con olio motore nuovo.
4. Per installare il nuovo filtro dell'olio, girarlo in senso orario fino a quando la guarnizione in gomma non sta correttamente in sede e stringere di un altro mezzo giro.
5. Rabboccare il serbatoio dell'olio con nuovo olio motore. Fare riferimento a *Cambio dell'olio motore alla pagina 145*.
6. Avviare il motore e lasciarlo girare al regime minimo per 3 minuti.
7. Arrestare il motore e assicurarsi che non vi siano perdite dal filtro dell'olio.

Nota: In caso di perdite d'olio, serrare nuovamente il filtro dell'olio.

8. Riempire il serbatoio dell'olio con più olio motore per sostituire quello assorbito dal nuovo filtro dell'olio.

Pulizia del filtro dell'aria

Il motore non funziona correttamente con un filtro dell'aria sporco. Pulire il filtro dell'aria con maggiore frequenza in caso di utilizzo in ambienti polverosi.

Pulizia della griglia dell'aria

Nota: La griglia dell'aria deve essere tenuta pulita per evitare danni al motore a causa del surriscaldamento.

- Pulire la griglia dell'aria con una spazzola metallica o con aria compressa per rimuovere lo sporco.

Manutenzione del sistema di raffreddamento del motore

Nota: Filtro dell'erba bloccato, alette di raffreddamento sporche od ostruite e/o alloggiamento del soffiatore rimosso, ecc. possono far surriscaldare il motore e causare danni al motore.

- Assicurarsi che il filtro dell'erba, le alette di raffreddamento e le altre superfici esterne del motore siano sempre puliti.

- Ogni 100 ore di funzionamento (o più spesso in ambienti estremamente polverosi e sporchi), rimuovere l'alloggiamento del soffiatore e altri componenti del sistema di raffreddamento del motore. Pulire le alette di raffreddamento e le superfici esterne, se necessario. Assicurarsi che i componenti del sistema di raffreddamento del motore siano installati correttamente.

Sostituzione delle candele

Il tipo di candela e il relativo gioco (impostazione della distanza) sono indicati in *Dati tecnici alla pagina 154*.

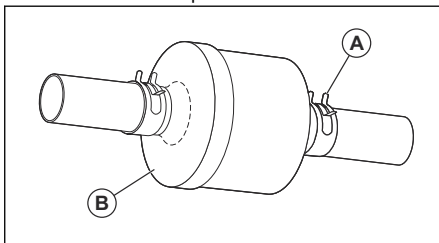
- Sostituire le candele all'inizio di ogni stagione di taglio oppure ogni 100 ore di funzionamento.

Sostituzione del filtro del carburante in linea

Nota: Sostituire il filtro del carburante in linea almeno una volta l'anno.

Sostituire il filtro in linea se è ostruito e interrompe il flusso di carburante al carburatore.

1. Lasciar raffreddare il motore.
2. Rimuovere il filtro del carburante in linea (B) e sigillare le sezioni della tubazione del carburante con dei tappi.
3. Inserire in posizione il nuovo filtro del carburante in linea nella tubazione del carburante, con la freccia rivolta verso il carburatore.
4. Assicurarsi che la tubazione del carburante non presenti perdite e che le fascette (A) siano nella posizione corretta.
5. Se si versa del carburante, pulire immediatamente il prodotto.



Rimozione dell'aria dalla trasmissione



ATTENZIONE: Non innestare o disinnestare la leva della ruota libera a motore acceso.

Per mantenere prestazioni elevate, rimuovere l'aria presente nella trasmissione prima di utilizzare il prodotto per la prima volta.

In caso di sostituzione della trasmissione, rimuovere l'aria dalla nuova trasmissione prima di azionare il prodotto.

1. Parcheggiare il prodotto su una superficie piana, pulita e aperta.
2. Arrestare il motore e inserire il freno di stazionamento.
3. Portare il comando della ruota libera in posizione disinserita. Fare riferimento a *Trasporto alla pagina 153*.
4. Avviare il motore. Dopo che il motore è entrato in funzione, spostare il comando dell'acceleratore in posizione "lento" e disinserire il freno di stazionamento.
5. Eseguire per 3 volte le operazioni specificate di seguito.

Nota: Durante questa procedura, può verificarsi un movimento delle ruote motrici.

- a) Premere il pedale di guida in avanti fino in fondo e tenerlo premuto per 5 secondi prima di rilasciarlo.
 - b) Premere il pedale di guida in retromarcia completamente e tenerlo premuto per 5 secondi prima di rilasciarlo.
6. Arrestare il motore e inserire il freno di stazionamento.
 7. Portare il comando della ruota libera in posizione inserita. Fare riferimento a *Trasporto alla pagina 153*.
 8. Sedersi sul sedile e avviare il motore. Quando il motore è avviato, portare il comando dell'acceleratore in posizione di mezza velocità.
 9. Disinserire il freno di stazionamento.
 10. Utilizzare il prodotto in marcia avanti per circa 1,5 metri (5 piedi), quindi in retromarcia per 1,5 metri (5 piedi). Ripetere questa procedura 3 volte.

Risoluzione dei problemi

Problema	Causa	Azione
Il motore non si avvia.	Non è presente carburante nel serbatoio.	Riempire il serbatoio del carburante.
	Il comando dell'acceleratore non è nella posizione corretta.	Fare riferimento alle istruzioni per l'avviamento.
	La candela è danneggiata.	Sostituire la candela.
	Il filtro dell'aria è sporco.	Pulire o sostituire il filtro dell'aria.
	Il filtro del carburante è intasato.	Sostituire il filtro del carburante.
	Presenza di acqua nel carburante.	Svuotare completamente il serbatoio del carburante e il carburatore. Riempire il serbatoio del carburante con carburante nuovo e sostituire il filtro del carburante.
	I cavi sono allentati o danneggiati.	Controllare tutti i cavi.
	Le valvole del motore non sono regolate correttamente.	Contattare un'officina autorizzata.
	Il motore è ingolfato.	Attendere 2-3 minuti prima di tentare nuovamente di avviare il motore.
Il carburante nel serbatoio è difettoso.	Sostituire il carburante nel serbatoio.	

Problema	Causa	Azione
Il motorino di avviamento non fa girare il motore.	La batteria è troppo debole.	Caricare la batteria.
	Il comando di innesto frizione è inserito.	Disinserire il comando di innesto frizione.
	Il pedale della frizione/del freno non è premuto completamente verso il basso.	Premere a fondo il pedale della frizione/del freno quando si avvia il motore.
	Il collegamento in corrispondenza dei connettori del cavo sui morsetti della batteria è difettoso.	Controllare i collegamenti della batteria.
	Il fusibile principale è danneggiato.	Sostituire il fusibile principale.
	Il blocco di accensione è danneggiato.	Contattare un'officina autorizzata.
	Il connettore di sicurezza del pedale della frizione/del freno è danneggiato.	Contattare un'officina autorizzata.
	Il motorino di avviamento o l'elettrovalvola sono danneggiati.	Contattare un'officina autorizzata.
	Il controllo della presenza dell'operatore (OPC) non funziona correttamente.	Controllare cavi, interruttori e collegamenti. Se il problema persiste, rivolgersi a un addetto all'assistenza autorizzata. Non utilizzare un prodotto con un OPC che non funziona correttamente.
Il motore gira in maniera irregolare.	La candela è danneggiata.	Sostituire la candela.
	Il carburatore non è regolato correttamente.	Contattare un'officina autorizzata.
	Il filtro dell'aria è sporco.	Pulire o sostituire il filtro dell'aria.
	La valvola di ritegno sul tappo del serbatoio del carburante è danneggiata.	Sostituire il tappo del serbatoio carburante.
	Il serbatoio del carburante è quasi vuoto.	Rabboccare il serbatoio del carburante con carburante.
	Presenza di acqua nel carburante.	Svuotare completamente il serbatoio del carburante e il carburatore. Riempire il serbatoio del carburante con carburante nuovo e sostituire il filtro del carburante.
	Il comando dell'aria è innestato e il motore è caldo.	Disinserire il comando dell'aria.
	La miscela o il tipo di carburante non sono corretti.	Svuotare completamente il serbatoio del carburante e il carburatore. Riempire il serbatoio del carburante con la miscela o il tipo di carburante corretti.
	Il filtro del carburante è intasato.	Sostituire il filtro del carburante.
	La candela è danneggiata.	Sostituire la candela.
	È presente dello sporco nel carburatore o nel tubo del carburante.	Pulire il carburatore e le tubazioni del carburante.

Problema	Causa	Azione
Il motore si è surriscaldato.	Vi è un sovraccarico nel motore.	Ridurre il carico di lavoro.
	L'ingresso dell'aria o le alette di raffreddamento sul motore sono bloccati.	Pulire l'ingresso dell'aria e le alette di raffreddamento sul motore.
	La ventola di raffreddamento è danneggiata.	Contattare un'officina autorizzata.
	Il livello dell'olio motore è insufficiente.	Effettuare un controllo del livello dell'olio motore. Rabboccare con olio motore, se necessario.
	Il blocco di accensione è danneggiato.	Contattare un'officina autorizzata.
	La candela è danneggiata.	Sostituire la candela.
Vi è una perdita di potenza.	Il prodotto funziona a un regime troppo elevato in avanti o in retromarcia quando si taglia l'erba.	Utilizzare la velocità minima.
	Il comando dell'acceleratore è in posizione di avviamento.	Portare il comando dell'acceleratore nella posizione veloce.
	Sotto al piatto di taglio si è verificato un accumulo di erba, foglie o materiale indesiderato.	Pulire il piatto di taglio.
	Il filtro dell'aria è sporco.	Pulire o sostituire il filtro dell'aria.
	Il livello dell'olio motore è insufficiente.	Effettuare un controllo del livello dell'olio motore. Rabboccare con olio motore, se necessario.
	L'olio motore è sporco.	Cambiare l'olio motore.
	La candela è danneggiata.	Sostituire la candela.
	Il filtro del carburante è sporco.	Sostituire il filtro del carburante.
	Il carburante nel serbatoio è difettoso.	Sostituire il carburante nel serbatoio.
	Presenza di acqua nel carburante.	Svuotare completamente il serbatoio del carburante e il carburatore. Riempire il serbatoio del carburante con carburante nuovo e sostituire il filtro del carburante.
	Il cavo candela è allentato.	Collegare e serrare il cavo candela.
	L'ingresso dell'aria o le alette di raffreddamento sul motore sono bloccati.	Pulire l'ingresso dell'aria e le alette di raffreddamento sul motore.
	La marmitta è intasata o danneggiata.	Pulire o sostituire la marmitta.
	Vi sono cavi allentati o danneggiati.	Controllare tutti i cavi.
	Le valvole del motore non sono regolate correttamente.	Contattare un'officina autorizzata.

Problema	Causa	Azione
Si verificano vibrazioni nel prodotto.	Le lame sono allentate.	Serrare i bulloni sulle lame.
	Una o più lame sono danneggiate o non bilanciate.	Bilanciare le lame o sostituirle.
	Il motore è allentato.	Serrare i bulloni del motore.
La batteria non si ricarica.	Il fusibile principale è danneggiato.	Sostituire il fusibile principale.
	La batteria è danneggiata.	Sostituire la batteria.
	Il cavo di ricarica è scollegato.	Collegare il cavo di ricarica.
	Il collegamento in corrispondenza dei connettori del cavo sui morsetti della batteria è difettoso.	Controllare i collegamenti della batteria.
Quando l'operatore si alza dal sedile, con piatto di taglio innestato, il motore funziona.	Il controllo della presenza dell'operatore (OPC) non funziona correttamente.	Controllare cavi, interruttori e collegamenti. Se il problema persiste, rivolgersi a un addetto all'assistenza autorizzato. Non utilizzare un prodotto con un OPC che non funziona correttamente.
Le lame non possono girare.	È presente un blocco nel meccanismo della frizione.	Rimuovere l'ostruzione.
	La cinghia di trasmissione per il piatto di taglio è usurata o danneggiata.	Sostituire la cinghia di trasmissione per il piatto di taglio.
	Una puleggia del galoppino è congelata.	Sostituire la puleggia del galoppino.
	Un mozzo porta lama è congelato.	Sostituire il mozzo porta lama.

Problema	Causa	Azione
Impianto scarico dell'erba danneggiato.	Il regime motore è troppo basso.	Portare il comando dell'acceleratore nella posizione veloce.
	Il prodotto funziona a un regime troppo elevato in avanti o in retromarcia.	Utilizzare la velocità minima.
	L'erba è bagnata.	Lasciar asciugare l'erba prima di tagliarla.
	Il piatto di taglio non è parallelo.	Regolare il parallelismo del piatto di taglio. Fare riferimento a <i>Per regolare il parallelismo del piatto di taglio alla pagina 141</i> .
	La pressione degli pneumatici non è corretta.	Effettuare un controllo della pressione degli pneumatici. Regolare la pressione degli pneumatici, se necessario.
	Le lame sono usurate, danneggiate o allentate.	Sostituire le lame o stringere i bulloni sulle lame.
	Accumulo di erba o sporco al di sotto del piatto di taglio.	Pulire il piatto di taglio.
	La cinghia di trasmissione per il piatto di taglio è usurata o danneggiata.	Sostituire la cinghia di trasmissione per il piatto di taglio.
	Le lame non sono installate correttamente.	Installare le lame con il bordo affilato rivolto verso il basso.
	Sono in uso lame non corrette.	Sostituire le lame con quelle corrette nel manuale delle parti di ricambio.
	Fori d'aria del piatto di taglio ostruiti dall'accumulo di erba e sporcizia intorno a mozzi porta lama.	Pulire l'area intorno ai mozzi porta lama per aprire i fori per l'aria.
Il faro anteriore non funziona.	L'interruttore del faro anteriore è in posizione OFF".	Portare l'interruttore del faro anteriore in posizione ON.
	La lampadina è danneggiata.	Sostituire la lampadina.
	L'interruttore di accensione del faro anteriore è danneggiato.	Sostituire l'interruttore di corrente del faro anteriore.
	Il cavo del faro anteriore non è collegato.	Controllare cavi e collegamenti.
	È presente un cortocircuito nel cavo del faro anteriore.	Contattare un'officina autorizzata.

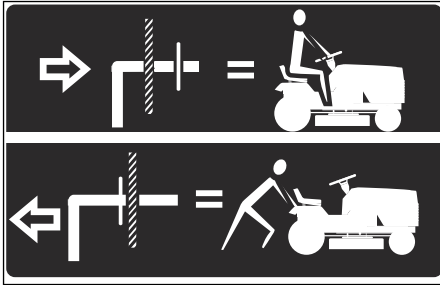
Problema	Causa	Azione
Il prodotto si muove lentamente, a velocità irregolare o non si muove affatto.	Il prodotto è in modalità ruota libera.	Estrarre la leva di comando della ruota libera. Fare riferimento a <i>Modalità ruota libera del prodotto alla pagina 133</i> .
	Il freno di stazionamento è inserito.	Disinserire il freno di stazionamento.
	La cinghia di trasmissione è allentata o danneggiata.	Sostituire la cinghia di trasmissione.
	È presente aria nella trasmissione.	Rimuovere l'aria dalla trasmissione. Fare riferimento a <i>Rimozione dell'aria dalla trasmissione alla pagina 146</i> .
	Sulla piastra dello sterzo sono presenti materiali indesiderati (se la piastra dello sterzo è installata).	Pulire il prodotto.
	Manca la chiave quadrata sull'assale.	Installare la chiave quadrata. Fare riferimento a <i>Riparazione degli pneumatici alla pagina 138</i> .
Il risultato del taglio è insoddisfacente.	Le lame sono smussate o danneggiate.	Affilare le lame o sostituirle.
	Il piatto di taglio non è parallelo.	Regolare il parallelismo del piatto di taglio. Fare riferimento a <i>Per regolare il parallelismo del piatto di taglio alla pagina 141</i> .
	L'erba è bagnata.	Lasciar asciugare l'erba prima di tagliarla.
	L'erba è alta.	Iniziare con un'altezza di taglio elevata e ridurla gradualmente.
	La pressione degli pneumatici non è corretta.	Effettuare un controllo della pressione degli pneumatici. Regolare la pressione degli pneumatici, se necessario.
	Il prodotto funziona a un regime troppo elevato in avanti o in retromarcia.	Utilizzare la velocità minima.
	La cinghia di trasmissione per il piatto di taglio è usurata o danneggiata.	Sostituire la cinghia di trasmissione per il piatto di taglio.
Il motore ha un ritorno di fiamma quando si arresta.	Il comando dell'acceleratore non è nella posizione lenta.	Fare riferimento a <i>Arresto del prodotto alla pagina 131</i> .
Il motore si arresta quando si tenta di eseguire la retromarcia.	Il sistema per operazioni in retromarcia (ROS) non è inserito.	Innestare il sistema per operazioni in retromarcia (ROS). Fare riferimento a <i>Utilizzo del sistema per operazioni in retromarcia (ROS) alla pagina 132</i> .

Trasporto, stoccaggio e smaltimento

Trasporto

Nota: Chiudere e fissare il cofano al prodotto durante il trasporto per evitare danni. Collegare il cofano al prodotto con gli strumenti corretti (corda, filo, ecc.).

Quando si sposta il prodotto, portare il comando della ruota libera in posizione di innesto della ruota libera per disinnestare la trasmissione. Il comando della ruota libera si trova sulla barra di trazione posteriore del prodotto.



1. Sollevare l'accessorio nella posizione più alta tramite il comando di sollevamento dell'accessorio.

2. Tirare il comando della ruota libera, inserirlo nella fessura e rilasciarlo per mantenerlo nella posizione disinnestata.
3. Non spostare il prodotto a velocità superiore a 3,2 km/h (2 mph).
4. Per innestare di nuovo la trasmissione, procedere in ordine inverso.

Sicurezza per il traino

- Utilizzare esclusivamente attrezzature di traino approvate da Husqvarna.
- Utilizzare la barra di traino per fissare l'attrezzatura.
- Non trainare attrezzature più pesanti del peso massimo consentito.
- Accertarsi che non vi siano persone nelle vicinanze del prodotto quando si traina l'attrezzatura.
- Non trainare l'attrezzatura su terreni in pendenza o accidentati.
- Azionare il prodotto a bassa velocità quando si traina l'attrezzatura.

Archiviazione

Preparare il prodotto per il rimessaggio al termine della stagione e in caso di inutilizzo per un periodo superiore a 30 giorni. Se si lascia il carburante all'interno del serbatoio del carburante per 30 giorni o più, le particelle appiccicose possono creare intasamenti nel carburatore. Ciò ha un effetto negativo sul funzionamento del motore.

Per evitare la formazione di particelle appiccicose durante il rimessaggio, aggiungere uno stabilizzatore. Se si utilizza benzina alchilata, lo stabilizzatore non è necessario. Se si utilizza benzina standard, non passare alla benzina alchilata. Ciò può causare l'indurimento dei componenti sensibili di gomma. Aggiungere lo stabilizzatore alla benzina nel serbatoio o nel contenitore utilizzato per lo stoccaggio. Utilizzare sempre i rapporti di miscelazione indicati dal produttore. Far girare il motore per almeno 10 minuti dopo aver aggiunto lo stabilizzatore fino a quando non scorre nel carburatore.



AVVERTENZA: Non conservare il prodotto con del carburante nel serbatoio in un luogo chiuso o in luoghi con scarsa circolazione d'aria. Se i vapori tossici entrano a contatto con

fiamme, scintille o fiamme pilota, come ad esempio in caldaie, serbatoi d'acqua calda e asciugatrici, sussiste il rischio di incendio.



AVVERTENZA: Rimuovere l'erba, le foglie e altri materiali infiammabili dal prodotto per ridurre il rischio di incendio. Lasciare che il prodotto si raffreddi prima del rimessaggio.

- Pulire il prodotto, vedere *Pulizia del prodotto alla pagina 137*. Ritoccare la vernice danneggiata per evitare la corrosione.
- Esaminare il prodotto per verificare la presenza di parti usurate o danneggiate e serrare le viti e i dadi allentati.
- Rimuovere la batteria. Pulirla, caricarla e conservarla in un luogo fresco durante il rimessaggio.
- Cambiare l'olio motore e smaltire l'olio di scarico.
- Svuotare il serbatoio del carburante. Avviare il motore e farlo girare fino a quando non si esaurisce tutto il carburante nel carburatore.

Nota: Non svuotare il serbatoio del carburante e il carburatore se si è aggiunto lo stabilizzatore.

- Rimuovere i tappi e versare circa un cucchiaino di olio motore in ogni cilindro. Ruotare manualmente l'albero motore per applicare uniformemente l'olio e riavvitare i tappi.

- Lubrificare tutti gli ingrassatori, i giunti e gli assali.
- Conservare il prodotto in un'area pulita e asciutta e coprirlo per una maggiore protezione.
- Un coperchio per proteggere il prodotto durante lo stoccaggio o il trasporto è disponibile presso il proprio rivenditore.

Smaltimento

- Le sostanze chimiche possono essere pericolose e non devono essere disperse nel suolo. Smaltire sempre le sostanze chimiche utilizzate presso un centro di assistenza o un centro di smaltimento autorizzato.
- Quando il prodotto è usurato, inviarlo al rivenditore o a un centro di riciclaggio autorizzato.
- Olio, filtri dell'olio, carburante e batteria possono contaminare l'ambiente. Rispettare le norme locali sul riciclaggio e le normative vigenti.
- Non smaltire la batteria come un rifiuto domestico.
- Inviare la batteria a un'officina Husqvarna o smaltirla in un centro specializzato nello smaltimento delle batterie usate.

Dati tecnici

	TS 142T
Motore	
Marchio del motore	LCC
Modello del motore	LC2P80
Potenza nominale motore, hp/kW ¹³	19,4 / 14,5
Massimo regime del motore, giri/min	2600 ± 100
Regime minimo del motore, giri/min	1750 ± 100
Velocità di avanzamento massima, mph / km/h	4,16 / 6,7
Velocità in retromarcia massima, mph / km/h	2,2 / 3,5
Combustibile, numero di ottano minimo, senza piombo, max 10% di etanolo e max 15% di MTBE, AKI / RON	87 / 91
Volume serbatoio carburante, galloni / l	1,5 / 5,68
Tipo di olio superiore a 32 °F / 0 °C (API: SJ-SN):	SAE 30
Tipo di olio inferiore a 32 °F / 0 °C (API: SJ-SN):	SAE 5W30
Volume dell'olio con filtro dell'olio, once / l	80 / 2,37
Volume dell'olio senza filtro dell'olio, once / l	72 / 2,13
Sistema di lubrificazione	Pressione con filtro dell'olio
Sistema di raffreddamento	Raffreddato ad aria
Filtro dell'aria	Doppio
Alternatore, V amp a 3.600 giri/min	12 V 15 amp a 3600 giri/min

¹³ La potenza nominale dichiarata dal costruttore del motore è la potenza lorda media al regime specificato di un tipico motore di serie per il modello di motore misurato in base alle norme SAE per la potenza lorda del motore. Fare riferimento alle specifiche del motore del costruttore.

	TS 142T
Motorino di avviamento	Avviamento elettrico 12 V
Peso	
Peso, con serbatoi vuoti, lb / kg	465 / 211
Piatto di taglio	
Numero di lame	2
Lunghezza lama, pollici / cm	21 / 53,34
Larghezza di taglio, pollici / cm	42 / 107
Altezza di taglio, pollici / cm	1,0–4,0 / 2,5–10,2
Pneumatici	
Pressione degli pneumatici, posteriore - anteriore, PSI / kPa / bar	15 / 103 / 1
Pneumatici ruote pivotanti anteriori, pollici	15 x 6-6
Pneumatici posteriori, pneumatici per terreno erboso, pollici	20 x 8-8
Freni	Freno di stazionamento meccanico
Impianto elettrico	
Tipo	12 V
Batteria	28 A
Candela	Champion RN9YC
Distanza tra gli elettrodi, pollici/mm	0,030 / 0,76
Coppia della candela, lb-ft / Nm	14,75 / 20
Emissioni di rumore ¹⁴	
Livello potenza acustica, misurato dB(A)	100
Livello di potenza acustica, garantito L _{WA} dB(A)	100
Livelli di rumorosità ¹⁵	
Livello di pressione sonora all'orecchio dell'operatore, dB(A)	80
Livelli di vibrazioni ¹⁶	
Livello di vibrazioni sul volante, m/s ²	4,25
Livello di vibrazioni sul sedile, m/s ²	0,92

¹⁴ Emissioni di rumore nell'ambiente misurate come potenza sonora (L_{WA}) in base alla direttiva CE 2000/14/CE. Il livello di potenza acustica riportato per il macchinario è stato misurato con il gruppo di taglio originale che emette il livello massimo. La differenza tra potenza acustica misurata e garantita è che la potenza acustica garantita comprende anche la dispersione nel risultato di misurazione e le variazioni tra le diverse macchine dello stesso modello come da Direttiva 2000/14/CE.

¹⁵ I dati riportati per il livello di pressione acustica equivalente del macchinario hanno una dispersione statistica tipica (deviazione standard) di 1 dB(A).

¹⁶ I dati riportati per il livello di vibrazioni equivalenti hanno una dispersione statistica tipica (deviazione standard) di 1 m/s².

Assistenza

Eseguire un controllo annuale presso un centro di assistenza autorizzato per assicurarsi che il prodotto funzioni in modo sicuro e al meglio durante l'alta stagione. Il momento migliore per eseguire la manutenzione o la revisione del prodotto è la bassa stagione.

Quando si ordinano i ricambi, fornire le informazioni sull'anno di acquisto, il modello, il tipo e il numero di serie.

Utilizzare sempre ricambi originali.

Dichiarazione di conformità

Dichiarazione di conformità UE

Husqvarna AB, SE 561 82 Huskvarna, SVEZIA,
dichiara sotto la propria esclusiva responsabilità che
il prodotto indicato:

Descrizione	Trattorino tagliaerba con motore a combustione e operatore seduto
Marchio	Husqvarna
Piattaforma / Tipo / Modello	TS 142T
Lotto	A partire dal numero di serie 2021 e successivi

È pienamente conforme alle seguenti norme e
direttive UE:

Direttiva/norma	Descrizione
2006/42/CE	"relativa alle macchine"
2011/65/UE	"restrizione dell'uso di determinate sostanze pericolose"
2014/30/UE	"sulla compatibilità elettromagnetica"
2000/14/CE, 2005/88/CE	"sul rumore esterno"

Le norme armonizzate e/o specifiche tecniche applicate sono le seguenti: EN ISO 12100:2010, EN ISO 14982:2009, EN ISO 5395-1:2013/A1:2018, EN ISO 5395-3:2013/A1:2017/A2:2018, EN ISO 3744:2010, EN ISO 11094:1991, EN 1032:2009, EN IEC 63000:2018, EN IEC 63000:2018.

In conformità con la Direttiva 2000/14/CE, allegato VI, i valori dichiarati del suono sono:

Livello di potenza acustica misurato: 99 dB(A).

Livello di potenza acustica garantito: 100 dB(A).

Il trattorino tagliaerba con motore a combustione e operatore seduto è conforme agli esemplari sottoposti a omologazione.

Per conto di Husqvarna AB, SE 561 82 Huskvarna, SVEZIA, 2021-06-07



Claes Losdal

Responsabile della documentazione tecnica.



Contenido

Introducción.....	158	Almacenamiento.....	193
Seguridad.....	162	Eliminación.....	194
Montaje.....	167	Datos técnicos.....	194
Funcionamiento.....	168	Servicio técnico.....	196
Mantenimiento.....	174	Declaración de conformidad.....	197
Detección de averías.....	187	Apéndice	238
Transporte, almacenamiento y eliminación.....	193		

Introducción

Inspección previa a la entrega y números de producto

una copia firmada del documento de inspección previa a la entrega de su distribuidor.

Nota: Se ha realizado una inspección previa a la entrega de este producto. Asegúrese de que recibe

Información de contacto del taller de servicio:	
Este manual de usuario pertenece a un producto con número de producto/número de serie:	
/	
Motor:	
Transmisión:	

Descripción del producto

Se trata de un tractor con el equipo de corte instalado entre los ejes delantero y trasero. Tiene un motor de 4 tiempos que utiliza gasolina.

Accesorios opcionales:

- Recogedor de césped
- Tapón del triturador

Uso previsto

Este producto se ha concebido para cortar el césped en jardines privados y en jardines privados con pendientes cuya inclinación sea inferior a 15°. No se ha concebido para su uso en parques públicos, instalaciones deportivas, aplicaciones agrícolas o aplicaciones forestales. Utilice el producto solo con accesorios homologados por el fabricante.

Un uso diferente del producto se considerará un uso incorrecto. La garantía se anulará y el fabricante no asumirá responsabilidad alguna en caso de daños a terceros o al usuario.

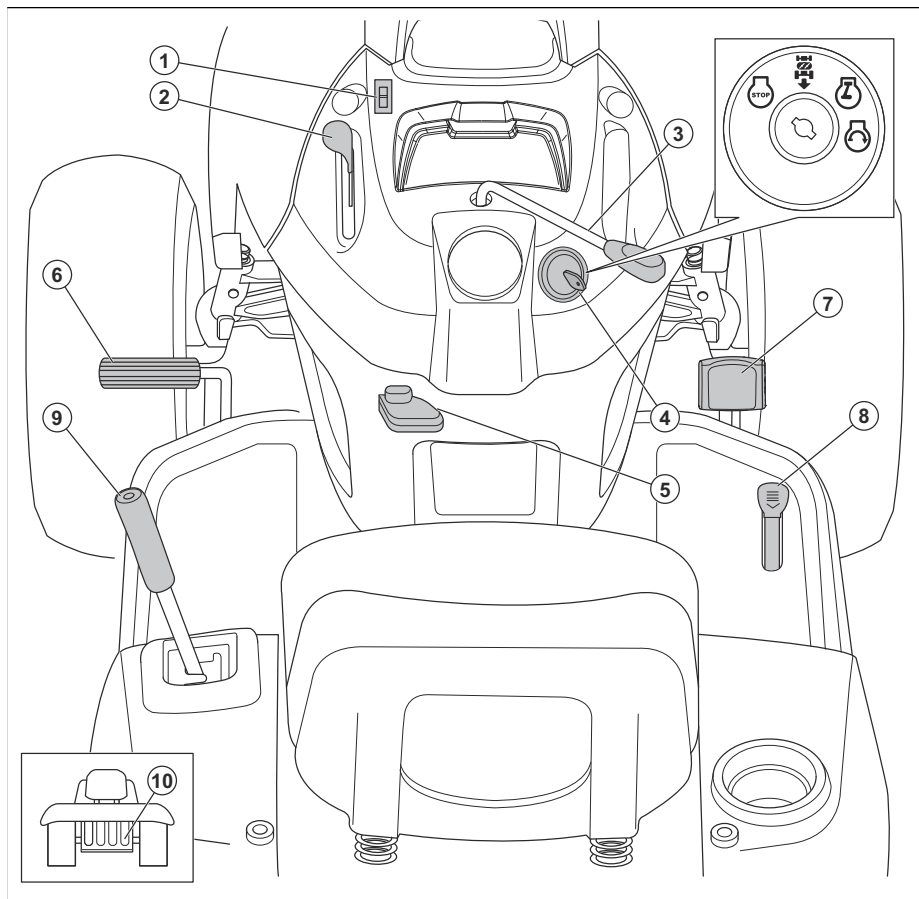
Consulte las directivas locales relativas al uso de cortacéspedes.

Asistencia/ayuda

Si necesita ayuda o tiene alguna pregunta sobre el uso, el funcionamiento, el mantenimiento o las piezas del producto:

- Visite nuestro sitio web: www.husqvarna.com
- Llámenos al número gratuito: 1-800-487-5951

Descripción del producto



1. Interruptor de las luces
2. Acelerador
3. Control del embrague de acoplamiento
4. Interruptor de encendido
5. Palanca de freno de estacionamiento
6. Pedal de freno
7. Pedal de avance
8. Pedal de retroceso
9. Palanca de elevación del accesorio
10. Palanca de rueda libre

mortales tanto al operador como a cualquier otra persona.



ATENCIÓN: Un uso incorrecto puede provocar daños en el producto o en otros bienes personales.



Lea atentamente el manual de usuario y asegúrese de que entiende las instrucciones antes de utilizar este producto.

Símbolos que aparecen en el producto



Advertencia: Tenga cuidado y utilice el producto correctamente. Este producto puede ocasionar lesiones graves o

R

Marcha atrás.

N

Punto muerto.

H

Relación alta.

L

Relación baja.



Posición de arranque para bajas temperaturas.



Rápido.



Lento.



Estrangulador.



Interruptor de encendido.



Motor apagado.



Arranque del motor.



Motor encendido.



Pedal de freno y embrague.



Freno de estacionamiento.



Freno de estacionamiento acoplado.



Freno de estacionamiento desacoplado.



Altura de corte.



Elevación del equipo de corte.



Bloqueo del diferencial.



Sistema de funcionamiento marcha atrás (ROS).



Marcha atrás.



Adelante.



Luces encendidas.



Combustible.



Presión de aceite.



Batería.



Se recomienda utilizar protectores auriculares.



Las cuchillas están desactivadas.



Las cuchillas están activadas.



Riesgo de intoxicación por monóxido de carbono.



Tenga cuidado con los objetos que puedan salir despedidos.



Peligro. Mantenga las manos y los pies alejados.



Mantenga alejados a los transeúntes.



El símbolo relativo a incendio indica un peligro que, de no tenerse en cuenta, puede provocar la muerte, lesiones graves o daños.



Nivel de potencia acústica.



El producto cumple con las directivas CE vigentes.



Este producto cumple con las directivas del Reino Unido vigentes.



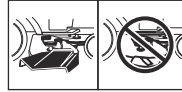
Mantenga alejados las manos y los pies de esta zona.



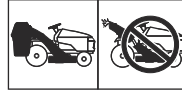
No utilice el producto en pendientes de más de 15°.



Superficie caliente. No tocar.



El deflector del equipo de corte debe estar instalado cuando utilice el producto.



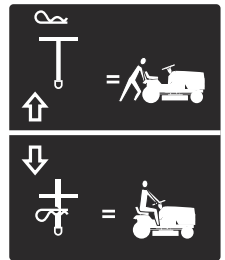
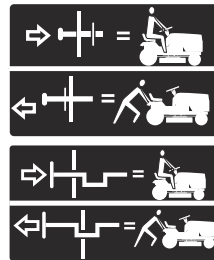
El recogedor de césped debe estar instalado cuando utilice el producto.



Peligro de atrapamiento para las manos.



Carga de la barra de remolque.



Rueda libre (solo modelos automáticos).

Responsabilidad sobre el producto

Como se estipula en las leyes de responsabilidad del producto, no nos hacemos responsables de los daños y perjuicios causados por nuestro producto si:

- El producto se ha reparado incorrectamente.
- El producto se ha reparado con piezas que no eran del fabricante o no autorizadas por el fabricante.
- El producto tiene un accesorio que no es del fabricante o no está autorizado por este.
- El producto no se ha reparado en un centro de servicio autorizado o por un organismo homologado.

Seguridad

Definiciones de seguridad

Las advertencias, precauciones y notas se utilizan para destacar información especialmente importante del manual.



ADVERTENCIA: Indica un riesgo de lesiones o incluso de muerte del usuario o de las personas cercanas si no se respetan las instrucciones del manual.



PRECAUCIÓN: Indica un riesgo de daños en el producto, otros materiales o el área adyacente si no se respetan las instrucciones del manual.

Nota: Se usa para proporcionar más información necesaria en una situación determinada.

Prácticas de uso seguro del cortacésped con asiento



ADVERTENCIA: Este producto puede amputar las manos y los pies, además de lanzar objetos al aire. Si no se cumplen las instrucciones de seguridad siguientes existe el riesgo de sufrir heridas graves o muerte.



ADVERTENCIA: Para evitar que la unidad se ponga en funcionamiento de forma accidental cuando la monte, transporte, ajuste o repare, desconecte el cable de la bujía y colóquelo donde no pueda entrar en contacto con la misma.



ADVERTENCIA: No se deslice cuesta abajo en punto muerto, podría perder el control del tractor.



ADVERTENCIA: Remolque solamente accesorios recomendados por el fabricante del tractor y que cumplan con las especificaciones indicadas por dicho fabricante. Aplique el sentido común cuando remolque algún accesorio. Cuando circule por una pendiente, hágalo a la velocidad más baja posible. Es peligroso circular con mucha carga por una pendiente. Los neumáticos pueden perder tracción y podría perder el control del tractor.



ADVERTENCIA: Los gases de escape del motor y algunos componentes del vehículo contienen o emiten sustancias químicas que pueden causar cáncer, defectos congénitos u otros daños en el sistema reproductor.

I. NIÑOS



ADVERTENCIA: ESTE EQUIPO PUEDE PROVOCAR HERIDAS A LOS NIÑOS. La Academia Americana de Pediatría recomienda que los cortacéspedes conducidos a pie sean manejados por personas de al menos 12 años de edad, mientras que los cortacéspedes con asiento sean operados por personas de al menos 16 años de edad.



ADVERTENCIA: LOS NIÑOS PUEDEN SUFRIR LESIONES GRAVES O INCLUSO MORTALES CON ESTE EQUIPO. Lea y siga estrictamente todas las instrucciones de seguridad siguientes.

Se pueden producir accidentes trágicos si el operador no se mantiene alerta ante la presencia de niños. Los niños suelen sentirse atraídos por la máquina de cortar césped y las actividades que realiza. Nunca dé por sentado que los niños permanecerán en el lugar donde los vio por última vez.

- Mantenga a los niños alejados de la zona de corte y bajo la atenta mirada de un adulto responsable que no sea el operador.
- Permanezca atento y detenga la máquina si algún niño se acerca a la zona.
- Antes y durante el retroceso, mire hacia atrás y debajo por si hubiera algún niño.
- No lleve nunca niños, ni siquiera con las cuchillas apagadas. Podrían caer y sufrir heridas graves o interferir con el funcionamiento de la máquina. Si alguna vez se ha dado un paseo a un niño, podría aparecer de pronto en el lugar de trabajo para un nuevo paseo y ser arrollado por la parte frontal o posterior de la máquina.
- No permita que los niños utilicen la máquina.
- Extreme las precauciones al acercarse a esquinas con poca visibilidad, arbustos, árboles u otros objetos que puedan ocultar a un niño.

II. FUNCIONAMIENTO GENERAL

- Lea, asegúrese de entender y siga todas las instrucciones que aparecen en la máquina y en el manual antes de utilizar la unidad.

- No coloque manos ni pies cerca ni debajo de las piezas giratorias de la máquina. Manténgase alejado en todo momento de la abertura de descarga.
- La máquina sólo deben utilizarla responsables adultos que conozcan bien las instrucciones.
- Limpie la zona de objetos tales como piedras, juguetes, cables, etc. Los cuales podrían quedar atrapados y ser expulsados por las cuchillas.
- Antes de utilizar la máquina, cerciórese de que no haya otras personas cerca. Si alguien accede al lugar, detenga la máquina.
- No lleve pasajeros a bordo.
- No corte el césped desplazándose en marcha atrás a menos que sea absolutamente necesario. Mire siempre debajo y hacia atrás antes y durante el retroceso.
- No dirija el material de descarga hacia otras personas. No descargue el material contra muros ni obstáculos. Los materiales pueden rebotar contra el usuario. Detenga las cuchillas cuando atraviese superficies de grava.
- No utilice la máquina sin tener el colector de hierba u otros dispositivos de seguridad instalados y operativos.
- Reduzca la velocidad antes de girar.
- Nunca deje una máquina en marcha sin supervisión. Detenga siempre las cuchillas, ponga el freno de estacionamiento y pare el motor antes de bajarse.
- Desacople las cuchillas cuando no vaya a utilizarlas. Apague el motor y espere a que todas las piezas se detengan por completo antes de limpiar la máquina, extraer el recogedor de césped o desatascar el conducto de descarga.
- Utilice la unidad sólo con luz diurna o suficiente luz artificial.
- No utilice la máquina si ha ingerido alcohol, estupefacientes o fármacos.
- Cuando trabaje cerca de carreteras o las cruce, tenga cuidado con el tráfico.
- Tenga especial cuidado al subir la máquina a un remolque o camión, o al bajarla de él.
- Utilice protección para los ojos cuando trabaje con la máquina.
- Utilice auriculares de protección para prevenir lesiones de oído.
- Las estadísticas señalan que los operadores de 60 o más años de edad sufren el mayor porcentaje de lesiones relacionadas con el uso de máquinas de cortar césped. Los operadores en ese tramo de edad deben evaluar su capacidad de manejar el cortacésped con asiento de una manera que no ponga en peligro su integridad ni la de otras personas.
- Siga las recomendaciones del fabricante en cuanto a los pesos de las ruedas o los contrapesos.
- Mantenga la máquina limpia de hierba, hojas y otros residuos que puedan arder al entrar en contacto con piezas calientes del escape

o del motor. No permita que la plataforma del cortacésped se abra paso entre hojas y otros desechos que puedan acumularse en la máquina. Antes de utilizar o almacenar la máquina, elimine todas las salpicaduras de aceite o combustible. Espere a que se enfríe la máquina antes de guardarla.

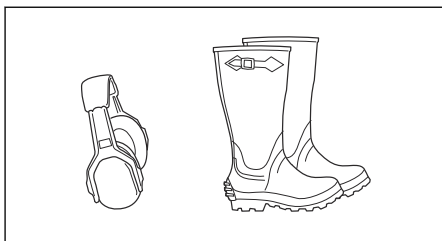
Instrucciones de seguridad para el funcionamiento

Equipo de protección individual



ADVERTENCIA: Lea las siguientes instrucciones de advertencia antes de utilizar el producto.

- Para trabajar con el producto debe utilizar un equipo de protección individual homologado. El equipo de protección individual no elimina completamente el riesgo de lesiones, pero reduce la gravedad de estas en caso de accidente. Deje que el distribuidor le ayude a seleccionar el equipo adecuado.
- Utilice protectores auriculares homologados. La exposición prolongada al ruido puede causar daños crónicos en el oído.
- Utilice botas o zapatos de trabajo antideslizantes. Se recomienda llevar punteras de acero. No utilice calzado abierto ni vaya descalzo.



- Utilice guantes protectores cuando sea necesario, por ejemplo, para el montaje, inspección o limpieza del equipo de corte.
- No lleve ropa suelta, joyas u otros objetos que puedan quedar atrapados en las piezas móviles.
- Mantenga el equipo de primeros auxilios y el extintor de incendios cerca.

Dispositivos de seguridad en el producto



ADVERTENCIA: Lea las siguientes instrucciones de advertencia antes de utilizar el producto.

- No utilice ningún producto con dispositivos de seguridad dañados o que no funcionen correctamente. Realice una comprobación de los dispositivos de seguridad con frecuencia. Si los dispositivos de seguridad están dañados,

póngase en contacto con su taller de servicio de Husqvarna.

- No realice ninguna modificación de los dispositivos de seguridad. No utilice el producto si las placas protectoras, las cubiertas de protección, los interruptores de seguridad u otros dispositivos de protección no están instalados o están dañados.

Comprobación del control de presencia del usuario (OPC)



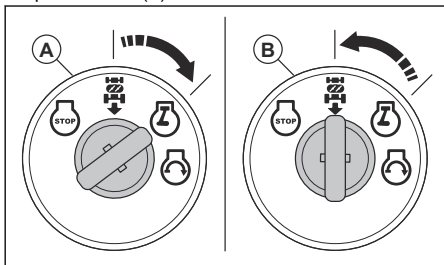
ADVERTENCIA: No utilice el producto si el control de presencia del usuario (OPC) no funciona correctamente. Si el OPC no funciona correctamente, repárelo inmediatamente. Acuda a un taller de servicio autorizado.

- Asegúrese de que el motor no puede ponerse en marcha a menos que el pedal de freno esté pisado a fondo y el equipo de corte esté desactivado.
- Asegúrese de que el motor se detiene cuando el usuario abandona el asiento con el freno de estacionamiento quitado.
- Asegúrese de que el motor se detiene cuando el usuario abandona el asiento con el equipo de corte activado.
- Asegúrese de que el control del embrague del equipo de corte no se puede accionar cuando el usuario abandona el asiento.

Comprobación del sistema de funcionamiento marcha atrás (ROS)

Si el sistema de funcionamiento marcha atrás no funciona correctamente, repare el producto de inmediato. Acuda a un taller de servicio autorizado.

1. Arranque el producto. Consulte la sección *Arranque del producto*, en la página 169.
2. Active el equipo de corte. Consulte la sección *Activación y desactivación del equipo de corte* en la página 172.
3. Asegúrese de que el motor se detiene cuando intenta retroceder con la llave de contacto en la posición ON (A).



4. Arranque el producto y active de nuevo el equipo de corte.

5. Sitúe el interruptor de encendido en la posición ROS activado (B).
6. Asegúrese de que el motor no se detiene cuando retrocede con la llave de contacto en la posición ROS activado.

Comprobación del freno



ADVERTENCIA: El mantenimiento del freno es necesario si el producto requiere más de 1,5 m (5 ft) para detenerse a la máxima velocidad en la marcha más larga sobre una superficie nivelada y seca.

1. Aparque el producto en una superficie de hormigón o pavimentada llana y seca. Pise el pedal de freno a fondo y accione el freno de estacionamiento.
2. Coloque el control de rueda libre en la posición de transmisión desacoplada para desactivar la transmisión.
3. Las ruedas traseras se deben bloquear y han de patinar al intentar hacer avanzar el producto manualmente. Si las ruedas traseras giran, es necesario reparar el freno.
4. Acuda a un centro de servicio autorizado.

Freno de estacionamiento



ADVERTENCIA: Si el freno de estacionamiento no funciona, el producto puede comenzar a moverse y provocar daños o lesiones. Asegúrese de que el freno de estacionamiento se examina y ajusta con frecuencia.

Consulte la sección *Comprobación del freno en la página 164*.

Silenciador

El silenciador mantiene al mínimo los niveles de ruido y aparta los gases de escape del usuario.

No utilice el producto si el silenciador no está instalado o está dañado. Un silenciador dañado aumenta el nivel de ruido y el riesgo de incendio.



ADVERTENCIA: El silenciador se calienta mucho durante el uso y también cuando el motor se encuentra al ralentí. Tenga cuidado cuando se encuentre cerca de materiales o gases inflamables para evitar incendios.

Comprobación del silenciador

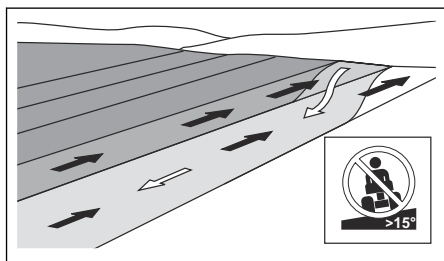
- Examine el silenciador con frecuencia para asegurarse de que está montado correctamente y que no está dañado.

Corte del césped en pendientes



ADVERTENCIA: Lea las siguientes instrucciones de advertencia antes de utilizar el producto.

- Cortar el césped en pendientes aumenta el riesgo de perder el control del producto y que este vuelque, lo que puede provocar lesiones graves o la muerte. Es necesario cortar el césped con cuidado en todas las pendientes. Si no puede dar marcha atrás en una pendiente o si no se siente seguro en ella, no utilice la máquina.
- Quite piedras, ramas y otros obstáculos.
- En las pendientes, trabaje de arriba a abajo y no de lado a lado.
- No baje por una pendiente con el equipo de corte elevado.
- No utilice el producto en pendientes de más de 15°.



- No arranque ni detenga la máquina en una pendiente.
- En pendientes, desplácese con suavidad y lentamente.
- No realice cambios súbitos de velocidad ni dirección.
- No gire más de lo necesario. Cuando baje por una pendiente, gire de forma lenta y gradual. Muévase a baja velocidad. Gire la rueda con cuidado.
- Tenga cuidado, no se mueva a través de surcos, agujeros y baches, ya que existe un alto riesgo de que el producto se vuelque sobre una superficie que no es plana. El césped crecido puede esconder obstáculos.
- No corte el césped cerca de bordes, zanjas o terraplenes. El producto puede volcar repentinamente si alguna de las ruedas pasa por el borde de una fuerte pendiente o una zanja, o si falta un trozo de bordillo.
- No corte hierba mojada. Es resbaladiza y las ruedas pueden perder adherencia, y el producto puede patinar.
- No ponga el pie en el suelo para intentar que el producto sea más estable.

- Muévase con mucho cuidado si hay conectado un accesorio u otro objeto que pueda hacer que el producto sea menos estable.

Seguridad en el uso del combustible



ADVERTENCIA: Lea las siguientes instrucciones de advertencia antes de utilizar el producto.

- El combustible es inflamable y los vapores son explosivos. Tenga cuidado con el combustible para evitar lesiones, incendios y explosiones.
- No inhale los vapores del combustible. Los vapores de combustible son tóxicos y pueden provocar lesiones. Asegúrese de que el flujo de aire sea suficiente.
- No retire el tapón del combustible ni llene el depósito de combustible cuando el motor esté en marcha.
- Asegúrese de que el motor esté frío antes de repostar.
- No reposte combustible en un recinto cerrado. Una circulación de aire insuficiente puede causar lesiones o la muerte por asfixia o por inhalación de monóxido de carbono.
- No fume cerca del combustible o el motor.
- No coloque objetos calientes cerca del combustible ni del motor.
- No reposte combustible cerca de chispas o llamas.
- Antes de repostar, abra la tapa del depósito de combustible lentamente y deje salir el exceso de presión con cuidado.
- En contacto con la piel, el combustible puede provocar lesiones. Si el combustible entra en contacto con la piel, utilice agua y jabón para eliminarlo.
- Si derrama combustible sobre la ropa, cámbiese inmediatamente.
- No llene el depósito de combustible por completo. El calor hace que el combustible se expanda. Deje espacio en la parte superior del depósito de combustible.
- Apriete completamente el tapón del depósito de combustible. Si el tapón del depósito de combustible no se aprieta, existe riesgo de incendio.
- Antes de poner en marcha el producto, trasládolo a una distancia mínima de 3 m (10 pies) de donde haya repostado.
- No arranque el producto si está manchado de combustible o aceite del motor. Elimine el combustible y el aceite de motor no deseados y deje que el producto se seque antes de arrancar el motor.
- Examine frecuentemente si hay fugas en el motor. Si hay fugas en el sistema de combustible, no arranque el motor hasta que se hayan reparado.

- No utilice los dedos para examinar el motor en busca de fugas.
- Almacene el combustible solo en recipientes homologados.
- Cuando el producto y el combustible estén guardados, asegúrese de que ni el combustible ni los vapores que desprende puedan causar daños.
- Vacíe el combustible en un depósito homologado, al aire libre y lejos de llamas y chispas.

mantenimiento en el motor ni el equipo de corte si no se cumplen estas condiciones:

- El motor está apagado.
- El producto está estacionado en una superficie nivelada.
- El freno de estacionamiento está accionado.
- La llave de contacto está quitada.
- El equipo de corte está desactivado.
- Los cables de encendido se han extraído de las bujías.

Seguridad de la batería



ADVERTENCIA: Una batería dañada puede explotar y causar lesiones. Si la batería está deformada o dañada, póngase en contacto con un taller de servicio Husqvarna homologado.



ADVERTENCIA: Los gases de escape del motor contienen monóxido de carbono, que es un gas inodoro, tóxico y muy peligroso. No ponga en marcha el producto en espacios cerrados ni espacios que no estén bien ventilados.



ADVERTENCIA: Lea las siguientes instrucciones de advertencia antes de utilizar el producto.



ADVERTENCIA: Lea las instrucciones de advertencia siguientes antes de realizar el mantenimiento del producto.

- Use gafas protectoras cuando esté cerca de las baterías.
- No lleve relojes, joyas ni otros objetos metálicos cerca de la batería.
- Mantenga la batería fuera del alcance de los niños.
- Cargue la batería en un espacio con buena ventilación.
- Cuando cargue la batería, mantenga los materiales inflamables a una holgura mínima de 1 m.
- Deseche las baterías sustituidas. Consulte *Eliminación en la página 194*.
- Pueden salir gases explosivos de la batería. No fume cerca de la batería. Mantenga la batería lejos de llamas abiertas y chispas.

- Para lograr un mejor rendimiento y seguridad, realice el mantenimiento del producto periódicamente según lo establecido en el programa de mantenimiento. Consulte *Programa de mantenimiento en la página 175*.
- Las sacudidas eléctricas pueden causar lesiones. No toque los cables cuando el motor está encendido. No realice una prueba de funcionamiento del sistema de encendido con los dedos.
- No arranque el motor si se han retirado las cubiertas de protección. Existe un alto riesgo de lesiones causadas por las piezas móviles o calientes.
- Deje que el producto se enfríe antes de llevar a cabo alguna tarea de mantenimiento cerca del motor.
- Las cuchillas están afiladas y pueden provocar cortes. Cuando trabaje en las cuchillas, use una protección contra el viento alrededor de las mismas o lleve guantes protectores.
- Coloque el equipo de corte siempre en posición de servicio para limpiarlo. No estacione el producto cerca del borde de una zanja ni de una pendiente si va a acceder al equipo de corte.

Seguridad en el transporte

- Utilice solo un vehículo de transporte homologado para el transporte del producto.
- Las regulaciones locales o nacionales de los mercados podrían establecer límites en los transportes del producto.
- El operario del vehículo de transporte es el responsable de sujetar el producto de forma segura durante el transporte. Consulte la sección *Transporte en la página 193*.

Instrucciones de seguridad para el mantenimiento



ADVERTENCIA: El producto es pesado y puede ocasionar lesiones o daños a los equipos o el área adyacente. No realice tareas de



PRECAUCIÓN: Lea las siguientes instrucciones de precaución antes de utilizar el producto.

- No encienda el motor si se ha desconectado la bujía o el cable de encendido.

- Asegúrese de que todas las tuercas y pernos están apretados correctamente y que el equipo está en buen estado.
- No cambie el ajuste de los reguladores. Si el régimen del motor es demasiado alto, los componentes del producto pueden dañarse.

- El producto está homologado con el equipo original proporcionado o recomendado por el fabricante.

Montaje

Introducción



ADVERTENCIA: Asegúrese de leer y comprender el capítulo sobre seguridad antes de montar el producto.



Adaptador de boquilla, 1 unidad

Extracción del producto de su embalaje

1. Saque las piezas sueltas que acompañan al producto.
2. Retire los paneles de los extremos.
3. Retire los paneles laterales y colóquelos en una superficie plana.
4. Retire todos los materiales de embalaje.
5. Saque el producto del embalaje y asegúrese de que no queden piezas sueltas en él.

Herramientas de montaje

- Llave de 1/2" (13 mm)
- Llaves de 7/16" (11 mm) (2 unidades)
- Manómetro para los neumáticos
- Cuchilla
- Alicates
- Juego de llaves de cubo (opcional)

Piezas sueltas que necesitan montaje

Este producto no se envía completamente montado. Las piezas siguientes se envían sueltas cuando se adquiere el producto.



Llave, 2 unidades



Hoja de inclinación, 1 unidad



Perno hexagonal, 2 unidades



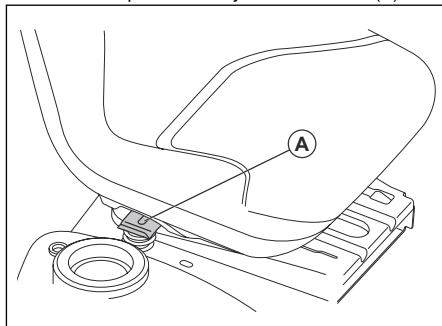
Tuercas, 2 unidades



Tubo de drenaje de aceite, 1 unidad

Ajuste del asiento

1. Siéntese en el asiento.
2. Levante la palanca de ajuste del asiento (A).



3. Mueva el asiento hasta que esté en una posición en la que pueda pisar los pedales de freno y embrague.
4. Suelte la palanca de ajuste del asiento (A) para bloquear el asiento en su posición.

Conexión de la batería

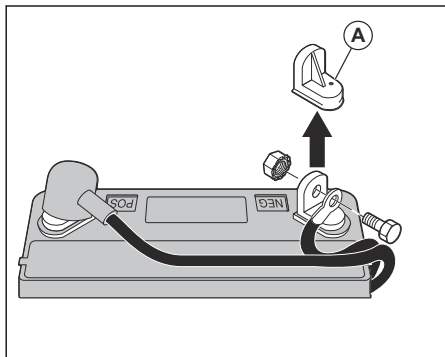


ADVERTENCIA: Existe riesgo de descarga eléctrica y quemaduras. No utilice pulseras metálicas ni otros accesorios metálicos. Cualquier objeto metálico que entre en contacto con los terminales de la batería puede provocar quemaduras, descargas eléctricas y cortocircuitos en la batería.

Nota: Si ha pasado el año y el mes que figuran en la etiqueta de la batería, cárguela. Cargue la batería durante al menos 1 hora con 6-10 A.

1. La batería debe situarse debajo del asiento o del capó.

- Levante la base del asiento o el capó.
- Quite los tapones de los 2 terminales (A) y deséchelos.



- Conecte el cable rojo de la batería al terminal positivo (+) y apriete el perno y la tuerca como se indica. Sitúe la tapa de los terminales sobre el terminal.



ADVERTENCIA: Riesgo de chispas. El cable rojo de la batería debe conectarse al terminal positivo antes de conectar el cable negro de la batería al terminal negativo. De esta forma, se evitará que se produzcan chispas, así como derivaciones a tierra accidentales.

- Conecte el cable negro al terminal negativo (-) y apriete el perno y la tuerca al máximo.
- Aplique vaselina a los cables de la batería para evitar la corrosión.
- Baje la base del asiento o el capó.

Retirada del producto de la plataforma

- Eleve el equipo de corte a la posición más alta. Utilice la palanca de elevación.
- Pise el pedal del embrague o del freno para quitar el freno de estacionamiento.
- Coloque el control de rueda libre en la posición de transmisión desacoplada; consulte *Transporte, almacenamiento y eliminación en la página 193*.

- Empuje el producto hacia delante para retirarlo de la plataforma.
- Retire la correa que sujeta la protección del deflector al producto.

Comprobación posterior al montaje

- Verifique si se han seguido todas las instrucciones de montaje.
- Compruebe que no queden piezas en el embalaje.
- Asegúrese de que la batería está preparada y cargada.
- Asegúrese de que los pernos del asiento están apretados y de que el asiento está bien ajustado.
- Asegúrese de que los neumáticos están bien inflados.
- Para obtener unos resultados de corte óptimos, asegúrese de que el equipo de corte esté nivelado tanto lateral como longitudinalmente. Para que el equipo de corte esté bien equilibrado, asegúrese de que los neumáticos están inflados a la presión adecuada.
- Examine el equipo de corte y las correas de transmisión. Asegúrese de que las correas de transmisión estén bien instaladas en las poleas y dentro de todos los retenes.
- Examine los cables eléctricos. Asegúrese de que las conexiones y los cables sean seguros.
- Asegúrese de que el control de rueda libre está en posición de transmisión acoplada. Consulte la sección *Transporte en la página 193*.
- Asegúrese de que el nivel de aceite del motor sea correcto.
- Asegúrese de que el depósito se ha llenado con el tipo de combustible correcto.
- Asegúrese de que conoce la ubicación y la función de todos los controles.
- Asegúrese de que el sistema de frenos funciona de forma segura.
- Asegúrese de que el sistema de presencia del usuario (OPC) y el sistema de funcionamiento marcha atrás (ROS) funcionan correctamente. Consulte *Comprobación del control de presencia del usuario (OPC) en la página 164* y *Comprobación del sistema de funcionamiento marcha atrás (ROS) en la página 164*.
- Purgue el aire de la transmisión antes del primer uso. Consulte la sección *Purga del aire de la transmisión en la página 186*.

Funcionamiento

Introducción



ADVERTENCIA: Asegúrese de leer y comprender el capítulo sobre seguridad antes de usar el producto.

Repostaje de combustible



ADVERTENCIA: La gasolina es muy inflamable. Proceda con precaución y reposte al aire libre. Consulte la sección *Seguridad en el uso del combustible en la página 165*.



PRECAUCIÓN: Utilice siempre el tipo de combustible correcto. El uso de un tipo de combustible incorrecto provoca daños en el producto.

- Utilice gasolina del tipo correcto. Consulte la sección *Datos técnicos en la página 194*. Para obtener más información sobre el combustible, consulte el manual del motor suministrado por el fabricante del motor.
- Realice una comprobación del nivel de combustible antes de cada uso y reposte si es necesario.
- No llene el depósito de combustible completamente. Deje un espacio mínimo de 2,5 cm (1 pulg.).

Arranque del producto.

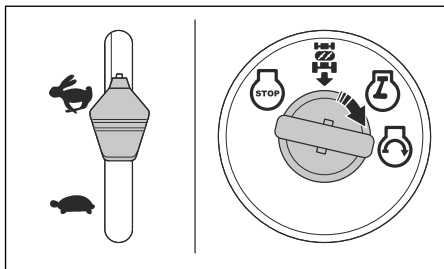
Pasos a seguir antes de arrancar el producto



ADVERTENCIA: Antes de usar el producto, lea detenidamente las instrucciones de seguridad y las instrucciones de funcionamiento.

1. Compruebe el nivel de aceite del motor. Consulte la sección *Comprobación del nivel de aceite del motor en la página 185*.
2. Llene el depósito de combustible. Consulte la sección *Repostaje de combustible en la página 168*.
3. Desactive el modo de rueda libre. Consulte la sección *Colocación del producto en modo de rueda libre en la página 173*.
4. Siéntese en el asiento en la posición de trabajo normal.
5. Accione el freno de estacionamiento. Consulte la sección *Activación y desactivación del freno de estacionamiento en la página 171*.
6. Asegúrese de que el equipo de corte esté desactivado. Consulte la sección *Activación y desactivación del equipo de corte en la página 172*.

Arranque del motor en caliente



1. Siéntese en el asiento.

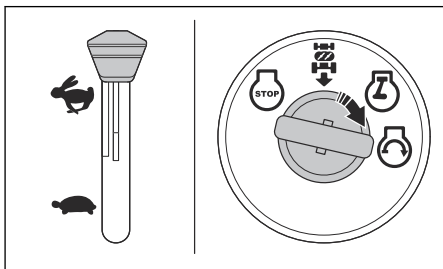
2. Asegúrese de que el equipo de corte esté desactivado. Consulte *Activación y desactivación del equipo de corte en la página 172*.
3. Coloque el equipo de corte en la posición de transporte. Consulte *Ajuste del equipo de corte en la posición de transporte o de corte en la página 170*.
4. Sitúe el acelerador en la posición de alta velocidad.
5. Pise a fondo el pedal de freno y manténgalo pisado.
6. Coloque la llave en el contacto.
7. Gire la llave de contacto a la posición "START" y suéltela cuando el motor arranque.



PRECAUCIÓN: No accione el mecanismo de arranque durante más de 15 segundos seguidos en un minuto.

8. Si la temperatura es baja, espere a que el motor se caliente antes de empezar a cortar la hierba.

Arranque del motor en frío



1. Siéntese en el asiento.
2. Asegúrese de que el equipo de corte esté desactivado. Consulte *Activación y desactivación del equipo de corte en la página 172*.
3. Coloque el equipo de corte en la posición de transporte. Consulte *Ajuste del equipo de corte en la posición de transporte o de corte en la página 170*.
4. Sitúe el acelerador en la posición de estrangulamiento.
5. Pise a fondo el pedal de freno y manténgalo pisado.
6. Coloque la llave en el contacto.
7. Gire la llave de contacto a la posición "START" y suéltela cuando el motor arranque.



PRECAUCIÓN: No accione el mecanismo de arranque durante más de 15 segundos seguidos en un minuto.

8. Cuando el motor arranque, sitúe el acelerador en la posición de alta velocidad (D) para que el motor se caliente. Si la temperatura es baja, se necesitan unos minutos para que el motor se caliente.



PRECAUCIÓN: Si la temperatura ambiente es inferior a 4 °C (40 °F), deje el motor a ralentí durante 1 minuto antes de poner en funcionamiento el producto. De esta manera, la transmisión se calentará. Asegúrese de que la palanca de control de movimiento está en punto muerto y de que el pedal de freno está sin pisar.

Calentamiento de la transmisión en clima frío

Nota: Antes de utilizar el producto con temperaturas bajas, caliente la transmisión.

1. Sitúe el producto en una superficie nivelada.
2. Suelte el freno de estacionamiento y deje que el pedal de freno suba lentamente.
3. Deje que la transmisión se caliente durante un minuto. Esto puede llevarse a cabo durante el calentamiento del motor.
4. Una vez que se caliente la transmisión, el equipo acoplado podrá usarse en el periodo de calentamiento del motor. Para ello, es posible que sea necesario tirar del estrangulador un poco.

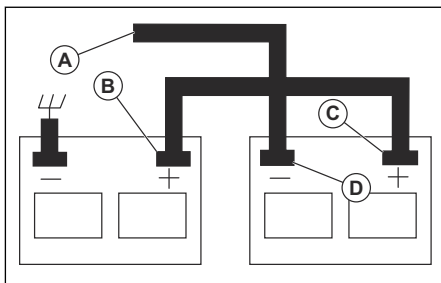
Arranque del motor con la batería baja



ADVERTENCIA: Las baterías de plomo-ácido pueden generar gases explosivos. Mantenga los materiales que generen chispas, llamas o humo lejos de las baterías. Utilice siempre protección ocular cuando trabaje con baterías.

Si la batería está descargada y no puede arrancar el motor, debe recargarla.

Si, en caso de emergencia, se utilizan cables de arranque, proceda tal como se explica a continuación:



1. Conecte uno de los extremos del cable ROJO al terminal POSITIVO (+) de las baterías (B-C).



PRECAUCIÓN: Tenga cuidado para que no se produzca un cortocircuito con el chasis del producto.

2. Conecte uno de los extremos del cable NEGRO al terminal NEGATIVO (-) (D) de la batería cargada.
3. Conecte el otro extremo del cable NEGRO (A) a un punto de masa del chasis adecuado, alejado del depósito de combustible y de la batería.

Retirada de los cables de puente

Nota: Retire los cables de puente siguiendo una secuencia opuesta a la de conexión.

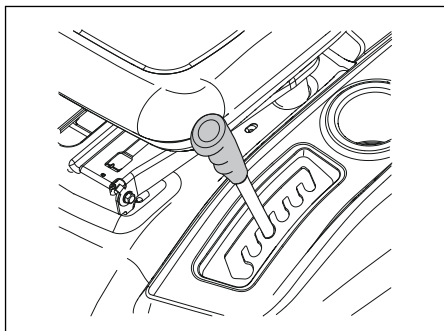
1. Quite el cable NEGRO del chasis.
2. Quite el cable NEGRO de la batería totalmente cargada.
3. Quite el cable ROJO de las 2 baterías.

Ajuste del equipo de corte en la posición de transporte o de corte

El equipo de corte debe estar en posición de transporte cuando se vaya a transportar el producto.

- Para colocar el producto en la posición de transporte, tire de la palanca de altura de corte hacia el asiento para colocarlo en la posición correspondiente a la altura de corte más alta.
- Para situar el producto en la posición de corte, ajuste la altura de corte correcta. Consulte la sección *Para ajustar la altura de corte en la página 171*.

Para ajustar la altura de corte

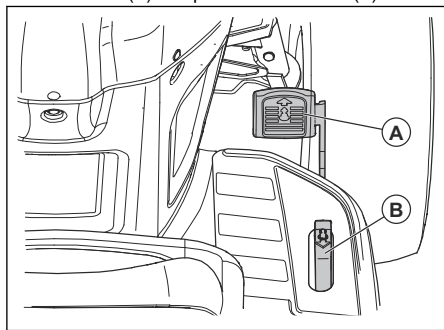


- Tire de la palanca de elevación hacia el asiento y colóquela en 1 de las muescas para establecer la altura de corte correcta.

Avance y retroceso

La dirección y la velocidad de desplazamiento se controlan con los pedales de avance y retroceso.

1. Arranque el motor.
2. Desactive el freno de estacionamiento. Consulte la sección *Activación y desactivación del freno de estacionamiento en la página 171*.
3. Para iniciar la marcha, pise lentamente el pedal de avance (A) o el pedal de retroceso (B).

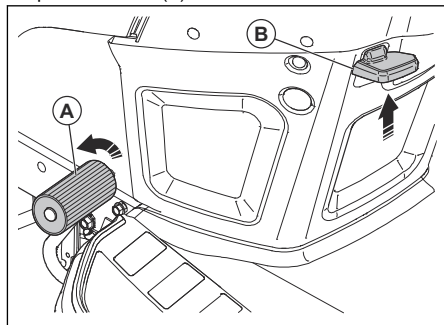


Nota: Los pedales de avance y retroceso regresan a la posición neutra cuando no se pisan.

4. Para aumentar la velocidad, pise con más fuerza el pedal de avance o de retroceso.

Activación y desactivación del freno de estacionamiento

1. Para activar el freno de estacionamiento, pise el pedal de freno (A) a fondo.



2. Con el pedal de freno pisado, tire hacia arriba de la palanca del freno de estacionamiento (B).
3. Suelte el pedal de freno.
4. Suelte la palanca del freno de estacionamiento.

Nota: Asegúrese de que el freno de estacionamiento mantenga parado el producto de forma segura.

5. Para soltar el freno de estacionamiento, pise el pedal del freno.

Parada del producto

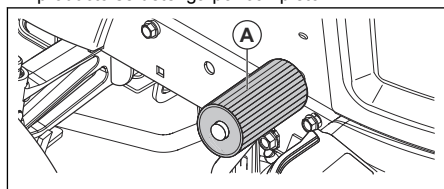


ADVERTENCIA: Si va a alejarse del producto, siempre debe pararlo, activar el freno de estacionamiento y quitar la llave de contacto.



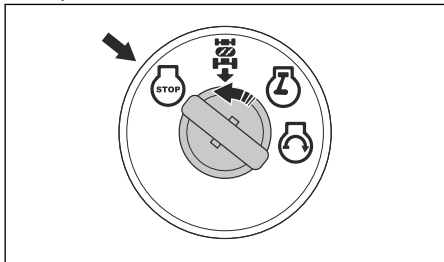
PRECAUCIÓN: Los gases de escape del motor caliente pueden quemar y dañar la hierba. Para evitar esta situación, detenga siempre el motor cuando pare el producto en zonas con césped.

1. Pise a fondo el pedal de freno (A) hasta que el producto se detenga por completo.



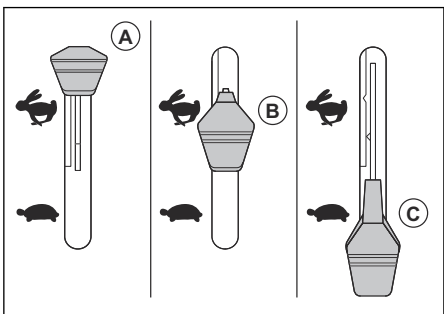
2. Desactive el equipo de corte. Consulte la sección *Activación y desactivación del equipo de corte en la página 172*.

- Sitúe el acelerador en la posición de baja velocidad y deje que el motor funcione a ralentí durante unos minutos.
- Coloque el equipo de corte en la posición de transporte. Consulte la sección *Ajuste del equipo de corte en la posición de transporte o de corte en la página 170*.
- Gire la llave de contacto a la posición STOP y sáquela.



Uso del acelerador

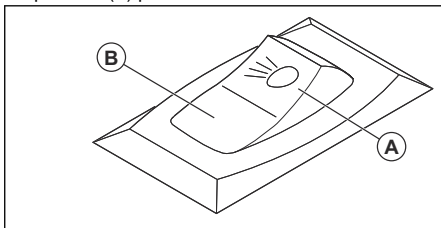
El acelerador ajusta el régimen del motor y la velocidad de las cuchillas del equipo de corte.



- Sitúe el acelerador en la posición de estrangulamiento (A) cuando arranque un motor frío. Consulte la sección *Arranque del motor en frío en la página 169*.
- Sitúe el acelerador en la posición de alta velocidad (B) para que el motor funcione a máxima velocidad. Cuando corte hierba, coloque siempre el acelerador en la posición de alta velocidad.
- Sitúe el acelerador en la posición de baja velocidad (C) para que el motor funcione a ralentí.

Uso del faro

- Coloque el interruptor de encendido en la posición (A) para encender el faro.



- Coloque el interruptor de encendido en la posición (B) para apagar el faro.

Activación y desactivación del equipo de corte

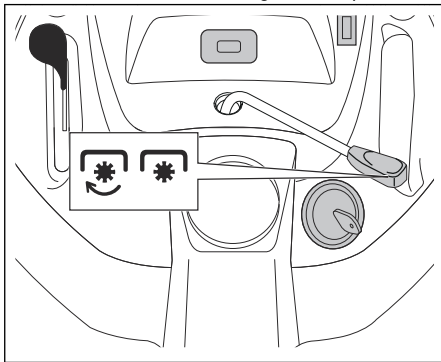


ADVERTENCIA: No ponga en marcha el equipo de corte si no se ha instalado un deflector o un recogedor de césped en la salida de hierba.

El producto cuenta con un control de presencia del usuario (OPC). Cuando abandone el asiento con el motor en marcha y el equipo de corte activado, el motor se detendrá.

Siéntese bien y en el centro del asiento para que el motor funcione correctamente y no se detenga en terrenos irregulares o en pendientes.

- Ajuste la altura de corte adecuada. Consulte la sección *Para ajustar la altura de corte en la página 171*.
- Mueva el control del embrague de acoplamiento.



- Mueva el control del embrague de acoplamiento hacia delante para activar el equipo de corte.
- Mueva el control del embrague de acoplamiento hacia atrás para desactivar el equipo de corte.

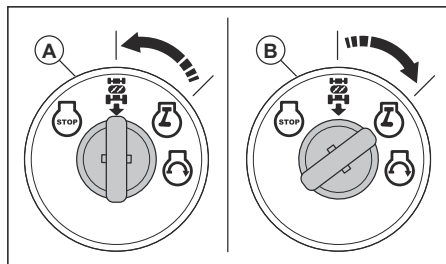
Uso del sistema de funcionamiento marcha atrás (ROS)

Nota: Si intenta retroceder con el producto con el equipo de corte activado, el motor se detiene inmediatamente. Active el ROS para retroceder con el producto con el equipo de corte activado.



ADVERTENCIA: Antes de circular marcha atrás con el producto y mientras circula marcha atrás, mire debajo y detrás del producto para garantizar la seguridad de los demás.

1. Gire la llave de contacto hacia la izquierda, a la posición de ROS activado (A), para activar el ROS.

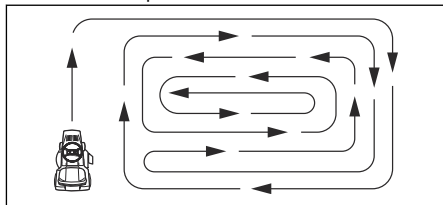


2. Pise lentamente el pedal de retroceso para emprender la marcha.
3. Gire la llave de contacto hacia la derecha, a la posición de motor en marcha (B), para desactivar el ROS.

Para obtener un buen resultado de corte

- Para lograr un mejor rendimiento, realice el mantenimiento del producto periódicamente según lo establecido en el programa de mantenimiento. Consulte la sección *Programa de mantenimiento en la página 175*.
- No corte el césped si está húmedo. La hierba mojada produce malos resultados.
- No utilice cadenas para neumáticos cuando acople el equipo de corte al producto.
- Asegúrese de que el equipo de corte esté nivelado. Consulte la sección *Ajuste del paralelismo del equipo de corte en la página 181*.
- Si la hierba está alta, empiece con una altura de corte elevada y redúzcala gradualmente.
- Haga funcionar el producto hacia delante a baja velocidad si la hierba es alta y gruesa.
- El acelerador debe situarse al máximo para cortar la hierba.
- Corte el césped siguiendo un patrón irregular.

- Utilice el lado izquierdo del equipo de corte cuando corte cerca de árboles, arbustos o caminos. La cuchilla corta a aproximadamente 15 mm del lateral del equipo de corte.
- Cuando corte grandes extensiones de terreno, mueva el producto a la derecha 1 o 2 vueltas alrededor del área de trabajo. De esta forma, la hierba no se expulsará sobre los arbustos, vallas o caminos. Tras realizar aproximadamente 2 vueltas alrededor del área de trabajo, corte en la dirección opuesta.



- Para obtener los mejores resultados, corte el césped con frecuencia.

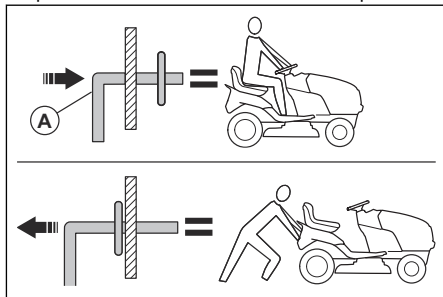
Colocación del producto en modo de rueda libre

Si es necesario mover o remolcar el producto sin la ayuda del motor, debe activar el modo de rueda libre.



ADVERTENCIA: No active el modo de rueda libre del producto en una pendiente.

- Pulse la palanca de control de rueda libre (A) para activar el modo de rueda libre del producto.



- Tire de la palanca de control de rueda libre para manejar el producto con la ayuda del motor.

Instalación del triturador (accesorio)

El producto se puede utilizar con un triturador.

1. Coloque el equipo de corte en la posición de transporte. Consulte la sección *Ajuste del equipo de corte en la posición de transporte o de corte en la página 170*.
2. Retire el recogedor de césped o el deflector de descarga trasero (accesorio) en caso de que esté instalado.

3. Introduzca el triturador por la placa trasera e insértelo en el adaptador del conducto del equipo de corte.
4. Acople las 2 correas en los orificios de los brazos de soporte del recogedor de césped.
5. Instale el recogedor de césped o el deflector de descarga trasero.
6. Para retirar el triturador, efectúe este procedimiento en orden inverso.

Instalación del recogedor de césped (accesorio)

El producto se puede utilizar con un recogedor de césped.

1. Coloque el equipo de corte en la posición de transporte. Consulte la sección *Ajuste del equipo de corte en la posición de transporte o de corte en la página 170*.
2. Retire el deflector de descarga trasero (accesorio) o el triturador (accesorio) si están instalados.
3. Introduzca el conducto de expulsión por la placa trasera e insértelo en el adaptador del conducto del equipo de corte.
4. Coloque las 2 tuercas mariposa.
5. Instale el recogedor de césped.
6. Para quitar el recogedor de césped, efectúe este procedimiento en orden inverso.

Mantenimiento

Introducción



ADVERTENCIA: Asegúrese de leer y comprender el capítulo sobre

seguridad antes de realizar tareas de mantenimiento en el producto.

Programa de mantenimiento

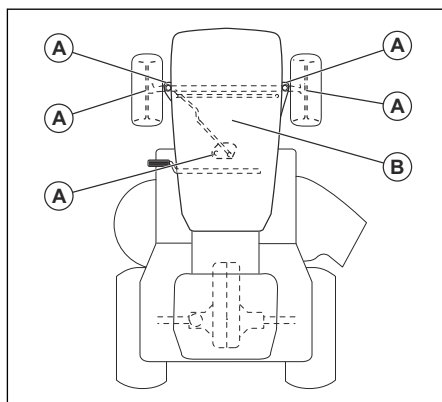
Programa de mantenimiento		Antes de cada utilización	Cada 8 horas	Cada 25 horas	Cada 50 horas	Cada 100 horas	Cada temporada	Antes del almacenamiento
Producto	Revise el funcionamiento del freno.	X	X					
	Revise la presión de los neumáticos.	X	X					
	Revise el control de presencia del usuario (OPC).	X						
	Revise el sistema de funcionamiento marcha atrás (ROS).	X						
	Compruebe si hay sujeciones sueltas.	X				X		X
	Compruebe si las cuchillas están desgastadas o dañadas.			X ²				
	Lubrique el producto. Consulte <i>Programa de lubricación en la página 176</i> .			X				X
	Revise el nivel de la batería.			X				
	Limpie la batería y los terminales.			X				X
	Limpie las piezas de la placa de dirección. Consulte <i>Limpieza del producto en la página 177</i> .			X				
	Revise el ventilador de refrigeración del transeje.			X				
	Asegúrese de que el equipo de corte esté nivelado.				X			
	Revise las correas trapezoidales.					X		

Programa de mantenimiento		Antes de cada utilización	Cada 8 horas	Cada 25 horas	Cada 50 horas	Cada 100 horas	Cada temporada	Antes del almacenamiento
Motor	Compruebe el nivel de aceite del motor.	X	X					
	Cambie el aceite del motor y el filtro de aceite.					X ¹		X
	Limpie el filtro de aire.			X ³				
	Limpie el filtro de aire.			X ³				
	Revise el silenciador y el apagachispas.				X			
	Sustituya el filtro de aceite.					X ¹		
	Limpie las aletas de refrigeración del motor.					X ³		
	Cambie la bujía.					X	X	
	Sustituya el cartucho de papel del filtro de aire.				X ³			
	Sustituya el filtro de combustible.						X	

Programa de lubricación



PRECAUCIÓN: No lubrique los puntos de giro que tengan cojinetes especiales de nailon. La suciedad puede adherirse a los lubricantes. La suciedad reduce la vida útil de los cojinetes especiales de nailon. Si es necesario lubricar los cojinetes de nailon, utilice solo una pequeña cantidad de lubricante seco.



A. Lubricación general. Lubrique la conexión de engrase del eje, el cojinete de la rueda delantera y los dientes del engranaje de la pieza de dirección.

¹ Hágalo con más frecuencia si usa el producto con una carga pesada, con temperaturas ambiente altas o en entornos con mucha suciedad.

³ Hágalo con más frecuencia si utiliza el producto en entornos con mucha suciedad.

³ Hágalo con más frecuencia si utiliza el producto en entornos con mucha suciedad.

¹ Hágalo con más frecuencia si usa el producto con una carga pesada, con temperaturas ambiente altas o en entornos con mucha suciedad.

³ Hágalo con más frecuencia si utiliza el producto en entornos con mucha suciedad.

³ Hágalo con más frecuencia si utiliza el producto en entornos con mucha suciedad.

B. Lubricación del motor. Consulte *Lubricación del motor en la página 184*.

Tractor

Limpeza del producto

No utilice una manguera para jardín ni un sistema de lavado a presión para limpiar la superficie a excepción de la boca de lavado. Evite que entre agua en el motor y en la transmisión. Si entra agua en el motor o en la transmisión, se reducirá la vida útil del producto. Utilice aire comprimido o un soplador de hojas para retirar la hierba, las hojas y la suciedad.

- Limpie los restos de material del motor, la batería, el asiento y otras partes del producto.
- Limpie la placa de dirección. La suciedad limita el movimiento del eje del pedal de freno/embrague, afloja la correa y afecta al desplazamiento hacia delante.



PRECAUCIÓN: Evite todos los puntos de enganche y las piezas móviles.

- Las superficies y las ruedas deben limpias y sin restos de gasolina, aceite, etc.
- Utilice cera para automóviles para evitar daños superficiales.

Uso de la boca de lavado del equipo

El equipo de corte cuenta con una boca de lavado que forma parte del sistema de limpieza del propio equipo de corte.



ADVERTENCIA: No utilice el producto si no tiene la boca de lavado del equipo de corte o está rota. Hay riesgo de que los objetos puedan salir despedidos. Si falta la boca de lavado del equipo de corte o está rota, sustitúyala de inmediato.

Nota: En los modelos con protecciones, la boca de lavado se encuentra situada en la protección izquierda, delante del neumático trasero.

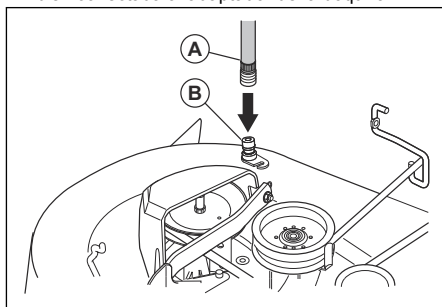
1. Estacione el producto en un sitio despejado del jardín, cerca de una manguera de agua.



PRECAUCIÓN: No dirija el conducto de expulsión del producto hacia edificios o vehículos.

2. Asegúrese de que el equipo de corte esté desactivado. Consulte la sección *Activación y desactivación del equipo de corte en la página 172*.
3. Gire la llave de contacto a la posición STOP para apagar el motor.

4. Accione el freno de estacionamiento.
5. Quite el recogedor de césped o el triturador en caso de que esté instalado.
6. Coloque el adaptador de la boquilla en el extremo de la manguera de jardín (A). Asegúrese de que la manguera de jardín está bien conectada al adaptador de la boquilla.



7. Tire del collarín de bloqueo del adaptador de la boquilla e inserte el adaptador de la boquilla en la boca de lavado del equipo de corte (B).
8. Tire con cuidado de la manguera de jardín para comprobar que está bien conectada.
9. Suelte el collarín de bloqueo para fijar el adaptador a la boca de lavado del equipo de corte.
10. Abra el suministro de agua.
11. Siéntese en el asiento y ponga en marcha el motor.



PRECAUCIÓN: Vuelva a examinar la zona para asegurarse de que está despejada.

12. Sitúe el acelerador en la posición de alta velocidad. Consulte la sección *Uso del acelerador en la página 172*.
13. Active el equipo de corte y déjelo en marcha hasta que quede limpio. Consulte la sección *Activación y desactivación del equipo de corte en la página 172*.
14. Desactive el equipo de corte. Consulte la sección *Activación y desactivación del equipo de corte en la página 172*.
15. Gire la llave de contacto a la posición STOP para apagar el motor.
16. Corte el suministro de agua.
17. Tire del collarín de bloqueo del adaptador de la boquilla para desconectar el adaptador de la boca de lavado del equipo de corte.
18. Lleve el producto a un lugar seco.
19. Active el equipo de corte y déjelo en marcha hasta que se seque.

Ajuste del cable del acelerador

El acelerador se ajusta de fábrica y no suele ser necesario ajustarlo. Si es necesario realizar ajustes, consulte el manual del motor.

Comprobación de los interbloqueos y relés

Nota: Si su producto tiene cables sueltos o dañados, no funcionará bien, dejará de funcionar o no podrá arrancar.

- Examine los cables.

Cambio de las bombillas

- Eleve la cubierta del motor.
- Gire ligeramente el portalámparas hacia la izquierda y sáquelo del soporte que hay detrás de la rejilla.
- Cambie la bombilla del portalámparas.
- Inserte el portalámparas en el soporte que hay detrás de la rejilla.
- Gire ligeramente el portalámparas hacia la derecha para instalarlo.
- Cierre la cubierta del motor.

Comprobación de los neumáticos

Nota: Para tapar orificios en los neumáticos y evitar que las ruedas se desinflen debido a pequeñas fugas, adquiera en su distribuidor de piezas local un sellador. El sellador de neumáticos evita también la corrosión y el deterioro de los neumáticos.

- Asegúrese de que la presión de aire de todos los neumáticos sea correcta (observe el valor correcto de presión en los flancos de los neumáticos).
- Limpie los neumáticos de gasolina, aceite o insecticidas que puedan dañar el caucho.
- Evite tocones, piedras, roderas, objetos afilados y otros objetos peligrosos que puedan dañar los neumáticos.

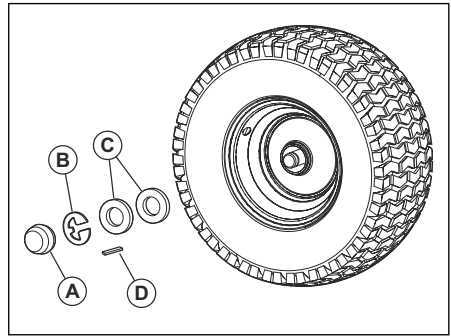
Reparación de los neumáticos

- Levante el eje delantero y apóyelo de forma segura.



PRECAUCIÓN: Levante y apoye un solo eje a la vez.

- Retire la cubierta antipolvo (A), la presilla (B), la arandela (C) y la chaveta cuadrada (D).



Nota: Solo las ruedas traseras tienen chavetas cuadradas.

- Retire la rueda del eje.
- Desmonte el neumático de la rueda.
- Repare el neumático.

Nota: Utilice un sellador de neumáticos para sellar los orificios que pueda tener el neumático. El sellador de neumáticos evita también la corrosión y el deterioro de los neumáticos.

- Monte el neumático en la rueda.
- Instale la rueda, la arandela, la chaveta cuadrada y la presilla en el eje. Asegúrese de que la presilla se instala correctamente en la ranura del eje.
- Instale la cubierta antipolvo.

Inspección de las correas trapezoidales

Las correas no son ajustables.

- Revise las correas trapezoidales para comprobar si están deterioradas o desgastadas tras 100 horas de funcionamiento.
- Cambie las correas trapezoidales si empiezan a moverse debido a un desgaste excesivo.

Mantenimiento del ventilador de refrigeración del transeje



PRECAUCIÓN: No limpie el ventilador ni la transmisión con el motor en marcha o la transmisión caliente.



PRECAUCIÓN: No utilice un equipo de limpieza de alta presión o de vapor. El agua puede introducirse en los cojinetes y las conexiones eléctricas, y provocar corrosión y daños al producto.

Para que la refrigeración de la transmisión sea óptima, mantenga limpios el ventilador de la transmisión y las aletas de refrigeración.

- Antes de limpiar con agua, limpie con un cepillo. Retire los restos de hierba y la suciedad del ventilador del transeje y de las aletas de refrigeración, así como de los alrededores.
- Examine el ventilador de refrigeración para asegurarse de que las aspas estén limpias y en perfecto estado.

Comprobación del líquido de la bomba del transeje

- Compruebe que no haya fugas de líquido de la bomba del transeje.
- Consulte al departamento o al centro de servicio autorizado más cercano si hay fugas de líquido de la bomba del transeje.

Ajuste del ángulo de caída y la convergencia de las ruedas delanteras

El ángulo de caída y la convergencia de las ruedas delanteras se ajustan correctamente en la fábrica. No es posible ajustar el ángulo de caída ni la convergencia de las ruedas delanteras.

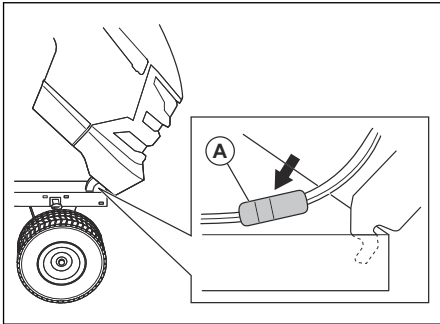
- Acuda a un centro de servicio autorizado si el ángulo de caída o la convergencia de fábrica de las ruedas delanteras han variado.

Sustitución de fusibles

Este producto tiene un fusible de 20 A tipo automóvil. El portafusibles está detrás del salpicadero.

1. Sujete el portafusibles y saque el fusible fundido.
2. Coloque un fusible nuevo en el portafusibles.

Extracción e instalación de la cubierta del motor y del conjunto de rejilla

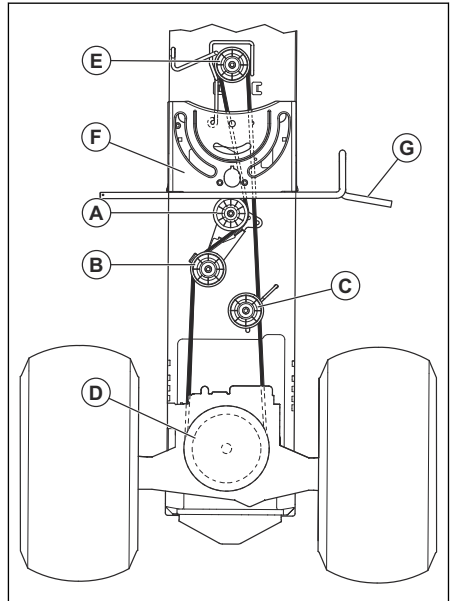


1. Levante la cubierta del motor.
2. Desconecte el conector de los cables de los faros (A).

3. Sitúese delante del tractor. Sujete la cubierta del motor por los laterales. Inclíne la cubierta del motor en la dirección del motor y levántela para retirarla del producto.
4. Para el montaje, efectúe el mismo procedimiento en el orden inverso.

Sustitución de la correa de transmisión

1. Estacione el producto en una superficie nivelada y aplique el freno de estacionamiento. Consulte *Activación y desactivación del freno de estacionamiento en la página 171*.
2. Retire el equipo de corte. Consulte *Extracción e instalación del equipo de corte en la página 181*.
3. Retire la correa de transmisión de la polea (A) y la polea del embrague (B).



4. Retire la correa de transmisión de la polea tensora (C).
5. Tire de la correa de transmisión hacia atrás y extráigala de la polea de entrada de la caja de cambios (D) y por encima de las paletas del ventilador de refrigeración.
6. Retire la correa de transmisión de la polea del motor (E) en el eje del motor.
7. Mueva la correa de transmisión hacia atrás y por encima de la placa de dirección (F) para extraerla del producto.
8. Efectúe este procedimiento en el orden inverso para instalar una correa de transmisión nueva. Asegúrese de instalar la correa de transmisión encima de la placa de soporte de la dirección (F) y del eje del pedal de embrague/freno (G).

Batería

Mantenimiento de la batería

Nota: La batería del producto no requiere mantenimiento. No abra ni retire las tapas ni las cubiertas.

Nota: Cargue la batería de manera periódica con un cargador especial para automóviles a fin de prolongar la vida útil de la batería.

- Mantenga la batería y los terminales limpios.
- Asegúrese de que todos los pernos que sujetan la batería y los cables estén bien apretados.
- Mantenga abiertos los orificios pequeños de ventilación de la batería.
- Cargue la batería a 6-10 A durante 1 hora.

Limpeza de la batería y los terminales

La corrosión y la suciedad acumulada en la batería y los terminales pueden hacer que esta pierda potencia.

1. Retire la protección de los terminales.
2. Desconecte el cable NEGRO de la batería.
3. Desconecte el cable ROJO de la batería y retire la batería del producto.
4. Rocíe la batería con agua y deje que se seque.
5. Limpie los bornes y los extremos de los cables de la batería con un cepillo de alambre.
6. Lubrique los terminales con grasa o un producto similar.
7. Instale la batería. Consulte la sección *Sustitución de la batería en la página 180*.

Sustitución de la batería

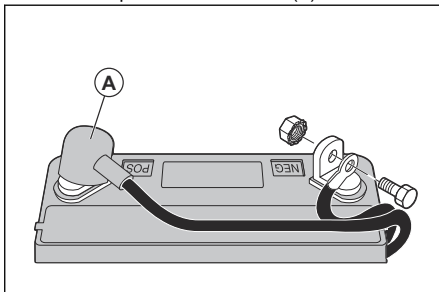
La batería está instalada debajo del asiento.



ADVERTENCIA: Existe riesgo de descarga eléctrica y quemaduras. No utilice pulseras metálicas ni otros accesorios metálicos. Cualquier objeto metálico que entre en contacto con los terminales de la batería puede provocar quemaduras, descargas eléctricas y cortocircuitos en la batería.

1. Pare el producto. Consulte la sección *Parada del producto en la página 171*.
2. Incline el asiento hacia delante.

3. Quite la tapa de los terminales (A).



4. Quite el perno y la tuerca para desconectar el cable negro (negativo) de la batería del terminal negativo (-).



ADVERTENCIA: Existe riesgo de descarga eléctrica y quemaduras. El cable negro (negativo) de la batería debe desconectarse antes de desconectar el cable rojo (positivo) de la batería.

5. Quite el perno y la tuerca para desconectar el cable rojo (positivo) de la batería del terminal positivo (+).
6. Retire con cuidado la batería del producto.
7. Instale una nueva batería.
8. Conecte el cable rojo (positivo) de la batería al terminal positivo (+) y apriete el perno y la tuerca.



ADVERTENCIA: Existe riesgo de descarga eléctrica y quemaduras. El cable rojo (positivo) de la batería debe conectarse al terminal positivo (+) antes de conectar el cable negro (negativo) de la batería al terminal negativo (-) para evitar lesiones y derivaciones a tierra accidentales.

9. Conecte el cable negro (negativo) de la batería al terminal negativo (-) y apriete el perno y la tuerca.
10. Coloque la tapa de los terminales.
11. Incline el asiento hacia atrás.

Conexión de los cables de puente

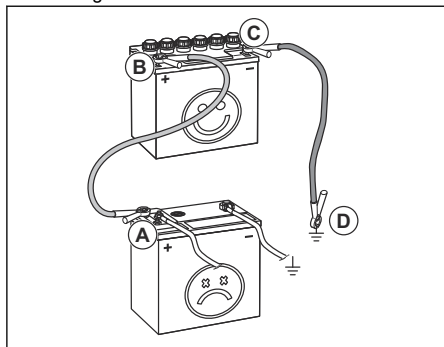


ADVERTENCIA: Existe riesgo de explosión debido a gases explosivos procedentes de la batería. No conecte el terminal negativo de una batería cargada al terminal negativo de una batería descargada ni cerca de él.



PRECAUCIÓN: No utilice la batería de su producto para arrancar otros vehículos.

1. Conecte un extremo del cable rojo de la batería al terminal POSITIVO (+) (A) de la batería descargada.



2. Conecte el otro extremo del cable rojo de la batería al terminal POSITIVO (+) (B) de la batería cargada.



ADVERTENCIA: No deje que los extremos del cable rojo de la batería toquen el chasis. Esto provocará un cortocircuito.

3. Conecte uno de los extremos del cable negro de la batería al terminal NEGATIVO (-) (C) de la batería cargada.
4. Conecte el otro extremo del cable negro de la batería a un punto de MASA DEL CHASIS (D), lejos del depósito de combustible y la batería.

Retirada de los cables de puente

Nota: Retire los cables de puente siguiendo una secuencia opuesta a la de conexión.

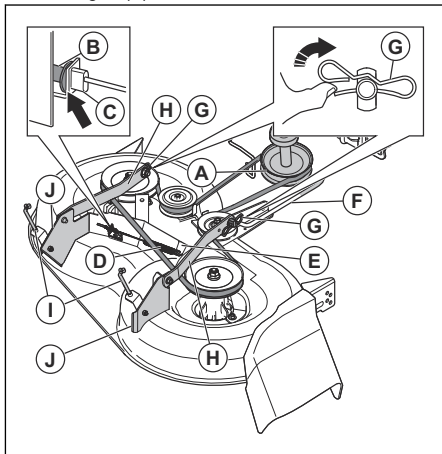
1. Quite el cable NEGRO del chasis.
2. Quite el cable NEGRO de la batería totalmente cargada.
3. Quite el cable ROJO de las 2 baterías.

Equipo de corte

Extracción e instalación del equipo de corte

Nota: Si se va a utilizar un accesorio que no sea el equipo de corte, hay que retirar la articulación delantera y las articulaciones de elevación traseras del producto. Además, el muelle del cable del embrague debe colocarse en la guía del cable en el borde delantero de la parte inferior del salpicadero.

1. Desactive el equipo de corte. Consulte la sección *Activación y desactivación del equipo de corte en la página 172.*
2. Pare el producto. Consulte la sección *Parada del producto en la página 171.*
3. Baje el equipo de corte a la posición más baja.
4. Retire la correa de transmisión de la polea del embrague (A).



5. Retire el cable del embrague (B), presione la lengüeta (C) y saque el cable del embrague del soporte.
6. Retire con cuidado el muelle del cable del embrague (D) del brazo de la polea tensora (E).
7. Desconecte la articulación delantera (F) del equipo de corte y quite el muelle retenedor y la arandela.
8. Retire las presillas (G) y desconecte los brazos de suspensión (H) de los pasadores del chasis.
9. Desconecte las articulaciones de elevación traseras (I) de los soportes traseros del equipo de corte (J) situados a ambos lados de este.
10. Retire el equipo de corte del producto.
11. Para instalar el equipo de corte, efectúe el procedimiento en orden inverso. Asegúrese de que el lado de descarga está en el lado derecho del producto.

Nota: Los brazos de suspensión deben estar hacia delante antes de desplazar el equipo de corte debajo del producto.

Ajuste del paralelismo del equipo de corte

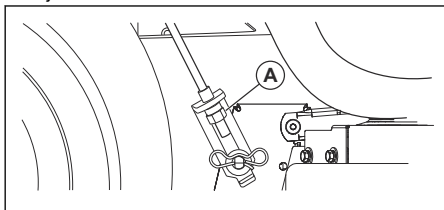
Ajuste visual de lado a lado del equipo de corte

Si no coincide la altura de corte en los lados derecho e izquierdo del producto, es posible ajustar la altura de corte. Ajuste la altura de corte del lado del equipo de corte donde esté más baja.

1. Asegúrese de que los neumáticos están inflados a la presión correcta.
2. Estacione el cortacésped en una superficie nivelada.
3. Vaya al lado del equipo de corte donde la altura de corte sea más baja.

Nota: Algunos modelos solo permiten ajustar el lado izquierdo.

4. Ajuste la altura de corte con una llave de 3/4".



Nota: Cada vuelta completa de la tuerca de ajuste de la elevación varía la altura del equipo de corte 4,7 mm (3/16").

- a) Gire la tuerca de ajuste de la elevación (A) hacia la izquierda para bajar el equipo de corte.
 - b) Gire la tuerca de ajuste de la elevación (A) hacia la derecha para subir el equipo de corte.
5. Corte un poco de hierba y examine los resultados. Ajuste si es necesario.

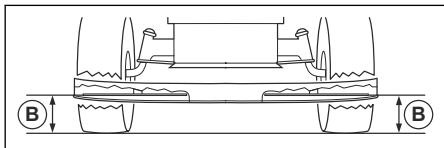
Ajuste preciso de lado a lado del equipo de corte

1. Asegúrese de que los neumáticos están inflados a la presión correcta.
2. Estacione el cortacésped en una superficie nivelada.
3. Coloque el equipo de corte en la posición de transporte. Consulte la sección *Ajuste del equipo de corte en la posición de transporte o de corte en la página 170*.
4. Gire la punta de las cuchillas exteriores para alinearlas con el equipo de corte lateralmente.



ADVERTENCIA: Las cuchillas del equipo de corte están afiladas y pueden causar lesiones. Utilice guantes protectores.

5. Mida la distancia (B) desde el borde inferior de la cuchilla hasta el suelo, tanto en el lado izquierdo como en el derecho.

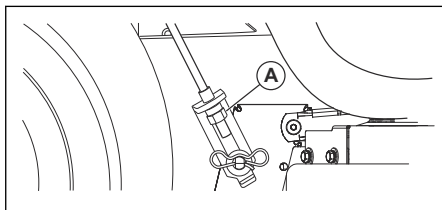


Nota: La distancia debe ser idéntica en los 2 lados.

6. Ajuste la altura de corte con una llave de 3/4 pulg.

Nota: Cada vuelta completa de la tuerca de ajuste de la elevación varía la altura de corte 4,7 mm (3/16 pulg.).

- a) Gire la tuerca de ajuste de la elevación (A) hacia la izquierda para bajar el equipo de corte.



- b) Gire la tuerca de ajuste de la elevación (A) hacia la derecha para subir el equipo de corte.

7. Mida la distancia de nuevo. Siga realizando ajustes hasta que los 2 lados coincidan.
8. Corte un poco de hierba y examine los resultados. Ajuste si es necesario.

Ajuste longitudinal del equipo de corte

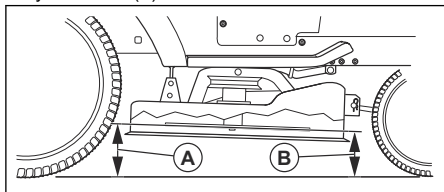
El equipo de corte debe estar nivelado de lado a lado antes de proceder con el ajuste longitudinal. Consulte la sección *Ajuste visual de lado a lado del equipo de corte en la página 181*.

1. Asegúrese de que los neumáticos están inflados a la presión correcta.
2. Estacione el cortacésped en una superficie nivelada.
3. Coloque el equipo de corte en la posición de transporte. Consulte la sección *Ajuste del equipo de corte en la posición de transporte o de corte en la página 170*.
4. Gire las cuchillas hasta que apunten hacia delante.



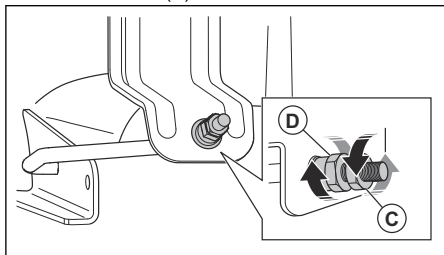
ADVERTENCIA: Las cuchillas del equipo de corte están afiladas y pueden causar lesiones. Utilice guantes protectores.

5. Mida la distancia al suelo en la parte trasera (A) y delantera (B) de la cuchilla.



Nota: Para obtener los mejores resultados de corte, las cuchillas se deben ajustar de modo que el extremo delantero esté entre 3,1 y 12,7 mm (1/8 y 1/2 pulg.) más bajo que el extremo trasero cuando el equipo de corte está en su posición más alta.

6. Vaya a la parte delantera del producto para realizar el ajuste.
7. Con una llave de 11/16 pulg., afloje la contratuerca (C) para aflojar la tuerca de ajuste de la elevación (D).



8. Ajuste la altura del equipo de corte con una llave de 3/4 pulg.

Nota: Cada vuelta completa de la tuerca de ajuste de la elevación varía la altura del equipo de corte 3,1 mm (1/8 pulg.).

- a) Gire la tuerca de ajuste de la elevación hacia la izquierda para bajar el equipo de corte.
b) Gire la tuerca de ajuste de la elevación hacia la derecha para subir el equipo de corte.
9. Mida de nuevo la distancia en la parte delantera y trasera.
10. Realice ajustes hasta que la parte delantera de la cuchilla sea de 3,1 a 12,7 mm (1/8 a 1/2 pulg.) más baja que la parte trasera.
11. Sujete la tuerca de ajuste de la elevación en su posición con la llave mientras aprieta la contratuerca.

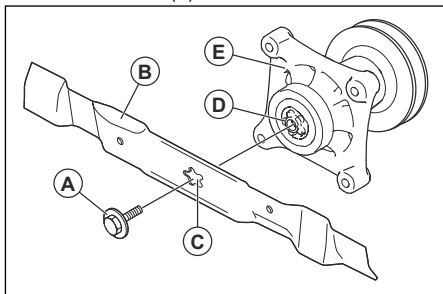
Sustitución de las cuchillas

Para lograr unos resultados óptimos, mantenga afiladas las cuchillas de corte. Cambie las cuchillas si están dobladas o dañadas.



PRECAUCIÓN: Utilice únicamente una cuchilla de repuesto aprobada por el fabricante. Es peligroso usar una cuchilla no aprobada por el fabricante del producto. Esto puede causar daños en el producto y anular la garantía.

- Coloque el equipo de corte en la posición de transporte. Consulte la sección *Ajuste del equipo de corte en la posición de transporte o de corte en la página 170*.
- Quite el perno (A) girándolo hacia la izquierda y retire la cuchilla (B).



ADVERTENCIA: Las cuchillas del equipo de corte están afiladas y pueden causar lesiones. Utilice guantes protectores.

- Instale la cuchilla nueva o afilada y el perno.



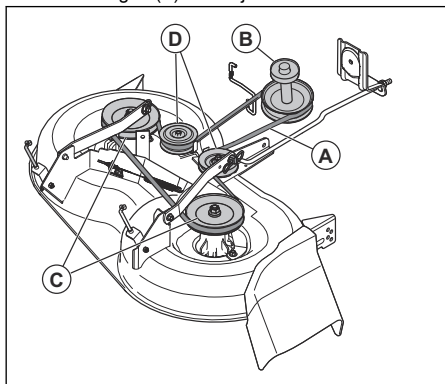
PRECAUCIÓN: El orificio central (C) de la cuchilla debe alinearse con la estrella (D) del conjunto del mandril (E).

- Apriete el perno a 62-75 Nm (45-55 ft/lb).

Extracción de la correa de transmisión del equipo de corte

- Estacione el producto en una superficie nivelada y aplique el freno de estacionamiento. Consulte *Activación y desactivación del freno de estacionamiento en la página 171*.
- Retire el equipo de corte. Consulte *Extracción e instalación del equipo de corte en la página 181*.
- Retire la suciedad y la hierba de alrededor de los mandriles y de la parte superior del equipo de corte.

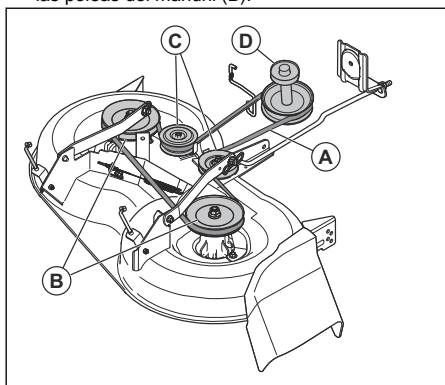
- Retire la correa de transmisión (A) de la polea del embrague (B) en el eje del motor.



- Retire la correa de transmisión de las puleas del mandril (C) y las puleas tensores (D).

Instalación de la correa de transmisión del equipo de corte

- Instale la correa de transmisión (A) alrededor de las puleas del mandril (B).



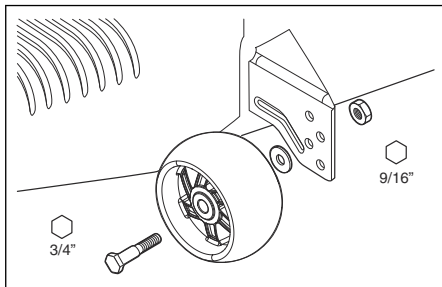
PRECAUCIÓN: Coloque la correa de transmisión correctamente en todas las ranuras de las puleas del equipo de corte. La correa de transmisión puede dañarse si no se instala correctamente.

- Instale la correa de transmisión alrededor de las puleas tensores (C).
- Instale la correa de transmisión alrededor de la pulea del embrague (D) en el eje del motor.
- Instale el equipo de corte del producto. Consulte *Extracción e instalación del equipo de corte en la página 181*.
- Coloque el equipo de corte en la posición de transporte. Consulte *Ajuste del equipo de corte en la posición de transporte o de corte en la página 170*.

Ajuste de los rodillos antidesbroce

Los rodillos antidesbroce mantienen el equipo de corte en la posición correcta sobre el suelo para evitar el corte al ras en la mayoría de condiciones del terreno. Los rodillos antidesbroce están bien ajustados si están ligeramente separados del suelo cuando el equipo de corte está en la altura de corte necesaria.

- Estacione el producto sobre una superficie nivelada y detenga el motor.
- Ajuste el producto a la altura de corte necesaria. Consulte la sección *Para ajustar la altura de corte en la página 171*.
- Retire la tuerca, el perno, la arandela y el rodillo antidesbroce.

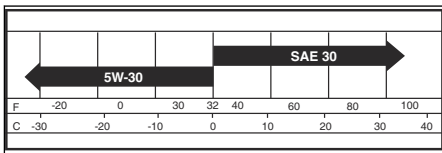


- Instale el rodillo antidesbroce, el perno, la arandela y la tuerca en la posición correcta.
- Ajuste todos los rodillos antidesbroce e instélos con el mismo procedimiento.

Motor

Lubricación del motor

Use solo aceite detergente de alta calidad con una clasificación de servicio API SJ-SN. El grado de viscosidad SAE del aceite indica la temperatura de funcionamiento correcta.



Nota: Los aceites multigrado (5W30, 10W30, etc.) facilitan el arranque del motor a bajas temperaturas, pero aumentan el consumo de aceite cuando se usa con temperaturas superiores a 0 °C (32 °F). Revise con frecuencia el nivel de aceite del motor para evitar daños debido a un bajo nivel de aceite.

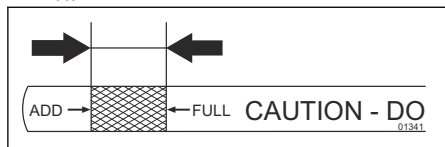
- Cambie el aceite cada 50 horas de funcionamiento. Si el producto no se utiliza 50 horas en un año, cambie el aceite al menos 1 vez al año.

- Revise el nivel de aceite del cárter antes de arrancar el motor y tras ocho (8) horas de funcionamiento.
- Apriete el tapón de llenado de aceite o la varilla de nivel cada vez que realice una comprobación del nivel de aceite.

Comprobación del nivel de aceite del motor

El motor del producto se llena con aceite para temperaturas ambiente superiores a 0 °C (32 °F). Si el producto se va a utilizar a temperaturas ambiente inferiores a 0 °C (32 °F), utilice el aceite de motor correcto para facilitar el arranque. Consulte *Datos técnicos en la página 194*.

1. Estacione el producto en un suelo nivelado.
2. Retire el tapón de llenado de aceite y la varilla de nivel, y límpiela con un paño.
3. Coloque la varilla de nivel en el tubo de llenado de aceite. No enrosque el tapón de llenado de aceite en el tubo de llenado.
4. Quite la varilla de nivel. Utilice el indicador de la varilla de nivel para determinar el nivel de aceite del motor. Si es necesario, agregue aceite de motor hasta alcanzar la marca "FULL" de la varilla de nivel. No añada demasiado aceite de motor.



5. Coloque la varilla de nivel en el tubo de llenado de aceite. Apriete bien el tapón de llenado de aceite.

Nota: Para obtener información sobre cómo cambiar el aceite del motor, consulte *Sustitución del aceite del motor en la página 185*.

Sustitución del aceite del motor

Si el motor está frío, arránquelo durante 1 o 2 minutos antes de drenar el aceite del motor. Esto calienta el aceite del motor y facilita el drenaje.

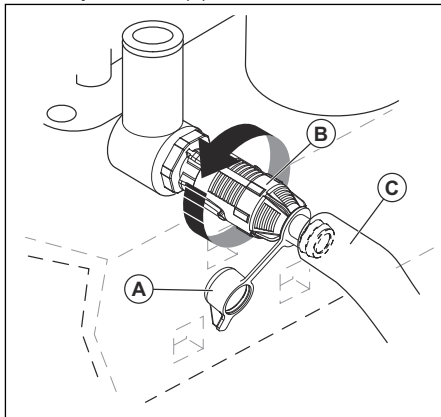


ADVERTENCIA: No deje el motor funcionando más de 1 o 2 minutos antes de drenar el aceite. El aceite del motor se calienta mucho y puede causar quemaduras graves. Deje que el motor se enfríe antes de vaciar el aceite del motor.



ADVERTENCIA: Utilice guantes protectores. Si se derrama aceite del motor sobre el cuerpo, lávese con agua y jabón.

1. Estacione el producto sobre un suelo nivelado y deténgalo. Consulte *Parada del producto en la página 171*.
2. Elimine toda la suciedad alrededor del tapón del depósito de aceite.
3. Quite el tapón del depósito de aceite y la varilla de nivel.
4. Retire el tapón amarillo (A) de la válvula de drenaje de aceite (B).



5. Instale el tubo de drenaje de aceite (C) en la válvula de drenaje de aceite.
6. Coloque un recipiente debajo del motor para recoger el aceite del motor y coloque el otro extremo del tubo de drenaje de aceite en el recipiente.
7. Presione y gire la válvula de drenaje de aceite hacia la izquierda para desbloquearla.
8. Tire de la válvula de drenaje para abrirla.
9. Deje que el aceite del motor caiga en el recipiente.
10. Presione y gire la válvula de drenaje de aceite hacia la derecha para cerrarla y bloquearla.
11. Retire el tubo de drenaje de aceite.
12. Coloque el tapón amarillo.
13. Llene el tubo de llenado de aceite con aceite nuevo y compruebe el nivel de aceite de motor. Consulte *Comprobación del nivel de aceite del motor en la página 185*.
14. Coloque el tapón del depósito de aceite y la varilla de nivel.

Nota: Para desechar de forma segura el aceite de motor usado, consulte *Eliminación en la página 194*.

Sustitución del filtro de aceite del motor



ADVERTENCIA: Utilice guantes protectores. Si se derrama aceite del

motor sobre el cuerpo, lávese con agua y jabón.

1. Vacíe el aceite de motor del depósito de aceite. Consulte la sección *Sustitución del aceite del motor en la página 185*.
2. Gire el filtro de aceite del motor hacia la izquierda para extraerlo.
3. Lubrique ligeramente la junta de goma del nuevo filtro de aceite con aceite de motor nuevo.
4. Para instalar el filtro de aceite nuevo, gírelo hacia la derecha hasta que la junta de goma se asiente correctamente y, a continuación, apriete media vuelta más.
5. Llene el depósito de aceite con aceite de motor nuevo. Consulte la sección *Sustitución del aceite del motor en la página 185*.
6. Arranque el motor y déjelo a ralentí durante 3 minutos.
7. Detenga el motor y asegúrese de que no haya fugas de aceite en el filtro de aceite.

Nota: Si hay fugas de aceite, vuelva a apretar el filtro de aceite.

8. Añada más aceite de motor al depósito de aceite para reponer el aceite que ha absorbido el filtro de aceite nuevo.

Para limpiar el filtro de aire

El motor no funcionará correctamente si el filtro de aire está sucio. Si usa el producto en entornos polvorientos, limpie el filtro de aire con más frecuencia.

Limpeza de la malla de aire

Nota: La malla de aire se debe mantener libre de suciedad para evitar dañar el motor por sobrecalentamiento.

- Limpie la malla de aire con un cepillo de alambre o con aire comprimido para eliminar la suciedad.

Mantenimiento del sistema de refrigeración del motor

Nota: El motor puede recalentarse y sufrir daños si la malla de hierba está obstruida, si las aletas de refrigeración están sucias u obstruidas, si se ha retirado la carcasa del soplador, etc.

- Asegúrese de que la malla de hierba, las aletas de refrigeración y cualquier otra superficie exterior del motor estén limpias en todo momento.
- Tras 100 horas de funcionamiento (o con más frecuencia en un entorno muy polvoriento o con mucha contaminación), retire la carcasa del soplador y otros componentes del sistema

de refrigeración del motor. Limpie las aletas de refrigeración y las superficies exteriores según sea necesario. Instale correctamente los componentes del sistema de refrigeración del motor.

Sustitución de las bujías

El tipo de bujía y la separación de electrodos se indican en *Datos técnicos en la página 194*.

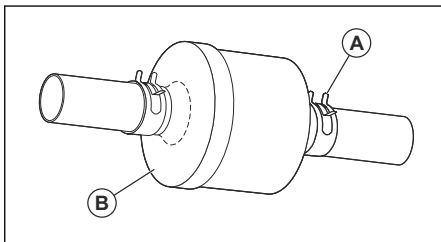
- Cambie las bujías al principio de cada temporada de corte o tras 100 horas de funcionamiento.

Sustitución del filtro de combustible en línea

Nota: Cambie el filtro de combustible en línea al menos una vez al año.

Sustituya el filtro en línea cuando se obstruya e impida que el carburador reciba combustible.

1. Deje que el motor se enfríe.
2. Retire el filtro de combustible en línea (B) y selle los tramos de la línea de combustible con tapones.
3. Coloque el filtro de combustible en línea nuevo en la línea de combustible con la flecha orientada hacia el carburador.
4. Asegúrese de que no haya fugas en la línea de combustible y que las abrazaderas (A) estén en la posición correcta.
5. Si se produce algún derrame, límpielo de inmediato.



Purga del aire de la transmisión



PRECAUCIÓN: No engrane ni desengrane la palanca de rueda libre mientras el motor esté en marcha.

Para lograr un alto rendimiento, purgue el aire de la transmisión antes de usar el producto por primera vez.

Si sustituye la transmisión, purgue el aire de la nueva transmisión antes de usar el producto.

1. Estacione el producto en una superficie nivelada, libre de obstáculos y abierta.

2. Pare el motor y aplique el freno de estacionamiento.
3. Coloque el control de rueda libre en la posición desengranada. Consulte *Transporte en la página 193*.
4. Arranque el motor. Cuando el motor esté en marcha, sitúe el acelerador en la posición de baja velocidad y quite el freno de estacionamiento.
5. Lleve a cabo los pasos siguientes 3 veces.

Nota: Durante este procedimiento, las ruedas motrices pueden moverse.

 - a) Pise el pedal de avance a tope y manténgalo pisado durante 5 segundos antes de soltarlo.
 - b) Pise el pedal de marcha atrás a tope y manténgalo pisado durante 5 segundos antes de soltarlo.
6. Pare el motor y aplique el freno de estacionamiento.
7. Coloque el control de rueda libre en la posición engranada. Consulte *Transporte en la página 193*.
8. Siéntese en el asiento y ponga en marcha el motor. Cuando el motor esté en marcha, sitúe el acelerador en la posición de velocidad media.
9. Desactive el freno de estacionamiento.
10. Circule con el producto hacia delante aproximadamente 1,5 m (5 ft) y luego hacia atrás 1,5 m (5 ft). Repita este procedimiento 3 veces.

Detección de averías

Problema	Causas	Acción
El motor no arranca.	No hay combustible en el depósito de combustible.	Llene el depósito de combustible.
	El acelerador no está en la posición correcta.	Consulte las instrucciones de arranque.
	La bujía está dañada.	Cambie la bujía.
	El filtro de aire está sucio.	Limpie o sustituya el filtro de aire.
	El filtro de combustible está obstruido.	Sustituya el filtro de combustible.
	Hay agua en el combustible.	Vacíe todo el combustible del depósito y del carburador. Llene el depósito de combustible con combustible nuevo del y cambie el filtro de combustible.
	Los cables están sueltos o dañados.	Revise todos los cables.
	Las válvulas del motor no están bien ajustadas.	Acuda a un taller de servicio autorizado.
	El motor está ahogado.	Espere de 2 a 3 minutos antes de intentar arrancar el motor de nuevo.
	El combustible del depósito está en mal estado.	Cambie el combustible del depósito.

Problema	Causas	Acción
El motor de arranque no arranca el motor.	La batería está demasiado débil.	Recargue la batería.
	El control del embrague de acoplamiento está conectado.	Desconecte el control del embrague de acoplamiento.
	El pedal de embrague o del freno no está pisado a fondo.	Pise a fondo el pedal de embrague o del freno cuando arranque el motor.
	La conexión de los conectores de los cables de los terminales de la batería está en mal estado.	Revise las conexiones de la batería.
	El fusible principal está dañado.	Cambie el fusible principal.
	El contacto está dañado.	Acuda a un taller de servicio autorizado.
	El conector de seguridad del pedal de embrague/freno está dañado.	Acuda a un taller de servicio autorizado.
	El motor de arranque o el solenoide están dañados.	Acuda a un taller de servicio autorizado.
	El control de presencia del usuario (OPC) no funciona correctamente.	Revise los cables, los interruptores y las conexiones. Si no se resuelve, acuda a un taller de servicio autorizado. No utilice el producto si el control de presencia del usuario no funciona correctamente.
El motor no funciona correctamente.	La bujía está dañada.	Cambie la bujía.
	El carburador no está bien ajustado.	Acuda a un taller de servicio autorizado.
	El filtro de aire está sucio.	Limpie o sustituya el filtro de aire.
	La válvula de retención del tapón del depósito de combustible está dañada.	Sustituya el tapón del depósito de combustible.
	El depósito de combustible está prácticamente vacío.	Llene el depósito de combustible.
	Hay agua en el combustible.	Vacíe todo el combustible del depósito y del carburador. Llene el depósito de combustible con combustible nuevo del y cambie el filtro de combustible.
	El estrangulador está activado y el motor está caliente.	Desacople el estrangulador.
	La mezcla de combustible o el tipo de combustible son incorrectos.	Vacíe todo el combustible del depósito y del carburador. Llene el depósito de combustible con el tipo de combustible adecuado o con la mezcla de combustible correcta.
	El filtro de combustible está obstruido.	Sustituya el filtro de combustible.
	La bujía está dañada.	Cambie la bujía.
	Hay suciedad en el carburador o la tubería de combustible.	Limpie el carburador y las tuberías de combustible.

Problema	Causas	Acción
El motor se calienta demasiado.	Se ha producido una sobrecarga en el motor.	Reduzca la carga de trabajo.
	La toma de aire o las aletas de refrigeración del motor están bloqueadas.	Limpie la toma de aire y las aletas de refrigeración del motor.
	El ventilador de refrigeración está dañado.	Acuda a un taller de servicio autorizado.
	El nivel de aceite del motor es demasiado bajo.	Compruebe el nivel de aceite del motor. Añada aceite de motor si es necesario.
	El contacto está dañado.	Acuda a un taller de servicio autorizado.
	La bujía está dañada.	Cambie la bujía.
Se ha producido una pérdida de potencia.	El producto funciona a una velocidad de avance o retroceso demasiado alta cuando se corta hierba.	Utilice una velocidad más baja.
	El acelerador está en la posición de estrangulamiento.	Coloque el acelerador en la posición de alta velocidad.
	Se ha acumulado hierba, hojas o material no deseado debajo del equipo de corte.	Limpie el equipo de corte.
	El filtro de aire está sucio.	Limpie o sustituya el filtro de aire.
	El nivel de aceite del motor es demasiado bajo.	Compruebe el nivel de aceite del motor. Añada aceite de motor si es necesario.
	El aceite del motor está sucio.	Cambie el aceite del motor.
	La bujía está dañada.	Cambie la bujía.
	El filtro de combustible está sucio.	Sustituya el filtro de combustible.
	El combustible del depósito está en mal estado.	Cambie el combustible del depósito.
	Hay agua en el combustible.	Vacíe todo el combustible del depósito y del carburador. Llene el depósito de combustible con combustible nuevo del y cambie el filtro de combustible.
	El cable de la bujía está suelto.	Conecte y apriete el cable de la bujía.
	La toma de aire o las aletas de refrigeración del motor están bloqueadas.	Limpie la toma de aire y las aletas de refrigeración del motor.
	El silenciador está obstruido o dañado.	Limpie o sustituya el silenciador.
	El cableado está suelto o dañado.	Revise todo el cableado.
	Las válvulas del motor no están ajustadas.	Acuda a un taller de servicio autorizado.

Problema	Causas	Acción
Se producen vibraciones en el producto.	Las cuchillas están flojas.	Apriete los pernos de las cuchillas.
	Una cuchilla o más no están equilibradas o están dañadas.	Equilibre las cuchillas o sustitúyalas.
	El motor está suelto.	Apriete los pernos del motor.
La batería no se carga.	El fusible principal está dañado.	Cambie el fusible principal.
	La batería está dañada.	Cambie la batería.
	El cable de carga está desconectado.	Conecte el cable de carga.
	La conexión de los conectores de los cables de los terminales de la batería está en mal estado.	Revise las conexiones de la batería.
El motor funciona cuando el usuario se levanta del asiento con el equipo de corte activado.	El control de presencia del usuario (OPC) no funciona correctamente.	Revise los cables, los interruptores y las conexiones. Si no se resuelve, acuda a un taller de servicio autorizado. No utilice el producto si el control de presencia del usuario no funciona correctamente.
Las cuchillas no giran.	Hay una obstrucción en el mecanismo del embrague.	Retire la obstrucción.
	La correa de transmisión del equipo de corte está desgastada o dañada.	Sustituya la correa de transmisión del equipo de corte.
	Hay una polea tensora bloqueada.	Cambie la polea tensora.
	El mandril de una cuchilla está bloqueado.	Cambie el mandril de la cuchilla.

Problema	Causas	Acción
Expulsión de hierba defectuosa.	El régimen del motor es demasiado bajo.	Coloque el acelerador en la posición de alta velocidad.
	El producto funciona a una velocidad demasiado alta hacia delante o marcha atrás.	Utilice una velocidad más baja.
	El césped está mojado.	Espere a que la hierba se seque para cortarla.
	El paralelismo del equipo de corte no está bien ajustado.	Ajuste el paralelismo del equipo de corte. Consulte <i>Ajuste del paralelismo del equipo de corte en la página 181</i> .
	La presión de los neumáticos es incorrecta.	Revise la presión de los neumáticos. Ajuste la presión de los neumáticos si es necesario.
	Las cuchillas están desgastadas, dañadas o flojas.	Sustituya las cuchillas o apriete los pernos de las cuchillas.
	Se ha acumulado hierba o suciedad debajo del equipo de corte.	Limpie el equipo de corte.
	La correa de transmisión del equipo de corte está desgastada o dañada.	Sustituya la correa de transmisión del equipo de corte.
	Las cuchillas no están bien instaladas.	Instale las cuchillas con el borde afilado hacia abajo.
	Se están utilizando unas cuchillas incorrectas.	Sustituya las cuchillas por otras correctas según el manual de piezas.
	Orificios de ventilación del equipo de corte obstruidos por la acumulación de hierba y suciedad alrededor de los mandriles.	Limpie alrededor de los mandriles para abrir los orificios de ventilación.
El faro no funciona.	El interruptor del faro está en la posición de apagado.	Gire el interruptor del faro a la posición de encendido.
	La bombilla está dañada.	Cambie la bombilla.
	El interruptor de encendido del faro está dañado.	Cambie el interruptor de encendido del faro.
	El cable del faro no está conectado.	Revise los cables y las conexiones.
	Hay un cortocircuito en el cable del faro.	Acuda a un taller de servicio autorizado.

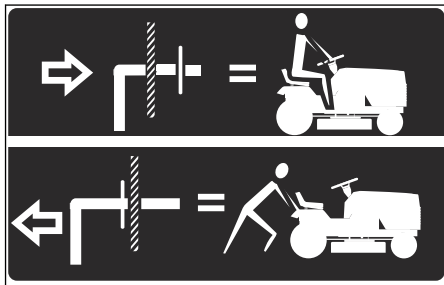
Problema	Causas	Acción
El producto se mueve lentamente, lo hace a una velocidad irregular o no se mueve.	El producto está en el modo de rueda libre.	Tire de la palanca de control de rueda libre. Consulte <i>Colocación del producto en modo de rueda libre en la página 173</i> .
	El freno de estacionamiento está activado.	Desactive el freno de estacionamiento.
	La correa de transmisión está floja o dañada.	Cambie la correa de transmisión.
	Hay aire en la transmisión.	Purgue el aire de la transmisión. Consulte <i>Purga del aire de la transmisión en la página 186</i> .
	Hay material no deseado en la placa de dirección (si la placa de dirección está instalada).	Limpie el producto.
	Falta la chaveta cuadrada en el eje.	Instale la chaveta cuadrada. Consulte <i>Reparación de los neumáticos en la página 178</i> .
El resultado del corte no es satisfactorio.	Las cuchillas están romas o dañadas.	Afile las cuchillas o sustitúyalas.
	El paralelismo del equipo de corte no está bien ajustado.	Ajuste el paralelismo del equipo de corte. Consulte <i>Ajuste del paralelismo del equipo de corte en la página 181</i> .
	El césped está mojado.	Espere a que la hierba se seque para cortarla.
	La hierba está alta.	Empiece con una altura de corte elevada y redúzcala gradualmente.
	La presión de los neumáticos es incorrecta.	Revise la presión de los neumáticos. Ajuste la presión de los neumáticos si es necesario.
	El producto funciona a una velocidad demasiado alta hacia delante o marcha atrás.	Utilice una velocidad más baja.
	La correa de transmisión del equipo de corte está desgastada o dañada.	Sustituya la correa de transmisión del equipo de corte.
El motor petardea cuando se para.	El acelerador no está en la posición de baja velocidad.	Consulte <i>Parada del producto en la página 171</i> .
El motor se detiene cuando se intenta circular marcha atrás.	El sistema de funcionamiento marcha atrás (ROS) no está activado.	Active el sistema de funcionamiento marcha atrás (ROS). Consulte <i>Uso del sistema de funcionamiento marcha atrás (ROS) en la página 173</i> .

Transporte, almacenamiento y eliminación

Transporte

Nota: Cierre y fije el capó del producto durante el transporte para evitar daños. Fije el capó al producto con los medios adecuados (cuerda, cable, etc.).

Cuando mueva el producto, sitúe el control de rueda libre en la posición de rueda libre para desactivar la transmisión. El control de rueda libre está en la barra de tracción trasera del producto.



1. Levante el accesorio a la posición más alta con el control de elevación del accesorio.
2. Tire del control de rueda libre, sitúelo en la ranura y suéltelo para que se mantenga en la posición desacoplada.
3. No mueva el producto a más de 3,2 km/h (2 mph).
4. Para reactivar la transmisión, efectúe el procedimiento anterior en orden inverso.

Seguridad durante el remolque

- Utilice únicamente el equipo de remolque aprobado por Husqvarna.
- Use la barra de remolque para acoplar el equipo.
- No remolque equipo cuyo peso sea superior al peso máximo autorizado.
- Asegúrese de que no haya otras personas cerca del producto al remolcar equipo.
- No remolque equipo en pendientes o terreno irregular.
- Utilice el producto a baja velocidad al remolcar equipo.

Almacenamiento

Prepare el producto para guardarlo al final de la temporada, y si va almacenarlo durante más de 30 días. Si deja combustible en el depósito durante 30 días o más, las partículas pegajosas pueden atascar el carburador. Esto tendrá un efecto negativo en el funcionamiento del motor.

Para evitar la aparición de partículas pegajosas durante el almacenamiento, agregue un estabilizador. Si utiliza gasolina a base de alquilatos, no es necesario usar un estabilizador. Si utiliza gasolina estándar, no cambie a gasolina con alquilato. Esto puede provocar que las piezas de goma sensibles se vuelvan duras. Añada un estabilizador al depósito o recipiente donde se almacena el combustible. Utilice siempre las proporciones de mezcla especificadas por el fabricante. Haga funcionar el motor durante un mínimo de 10 minutos después de agregar el estabilizador hasta que este llegue al carburador.



ADVERTENCIA: No guarde el producto con combustible en el depósito en interiores o en lugares con una mala ventilación. Existe peligro de incendio si los vapores del combustible entran en contacto con llamas desnudas, chispas o luces piloto, por ejemplo, de calderas de calefacción, depósitos de agua caliente y secadoras de ropa.



ADVERTENCIA: Retire la hierba, las hojas y otros materiales inflamables del producto para disminuir el riesgo de incendio. Deje que el producto se enfríe antes de volver a colocarlo en su lugar de almacenamiento.

- Limpie el producto; consulte *Limpieza del producto en la página 177*. Repare los daños en la pintura para evitar la corrosión.
- Examine el producto por si hubiera piezas dañadas o desgastadas, y apriete las tuercas y tornillos flojos.
- Desmonte la batería. Límpiela, cárguela y manténgala en un lugar fresco durante el almacenamiento.
- Cambie el aceite del motor y deseche el aceite usado.
- Vacíe el depósito de combustible. Arranque el motor y déjelo funcionar hasta que no haya restos de combustible en el carburador.

Nota: No vacíe el depósito de combustible ni el carburador si se ha añadido un estabilizador.

- Quite los tapones e introduzca aproximadamente una cucharada de aceite de motor en cada cilindro. Gire manualmente el eje del motor para distribuir el aceite y vuelva a colocar los tapones.
- Lubrique todas las boquillas de engrase, las juntas y los ejes.

- Guarde el producto en una zona limpia y seca, y cúbralo para mayor protección.
- Su distribuidor puede proporcionarle una cubierta de protección para el almacenamiento o transporte de su producto.

Eliminación

- Las sustancias químicas pueden ser peligrosas y no deben verterse al suelo. Deseche siempre los productos químicos en su centro de servicio o en una ubicación adecuada para su eliminación.
- Cuando el producto se desgaste, envíelo al distribuidor o a centro de reciclaje adecuado.
- El aceite, los filtros de aceite, el combustible y la batería pueden ser perjudiciales para el medio ambiente. Respete los requisitos de reciclaje locales y las normas aplicables.
- No deseche la batería como residuo doméstico.
- Envíe la batería a un taller de servicio Husqvarna o deséchela en una ubicación de residuos para las baterías agotadas.

Datos técnicos

	TS 142T
Motor	
Marca del motor	LCC
Modelo de motor	LC2P80
Potencia nominal del motor, CV/kW ¹⁷	19,4/14,5
Régimen máximo del motor, rpm	2600 ± 100
Régimen del motor a ralentí, rpm	1750 ± 100
Velocidad máxima de avance, mph / km/h	4,16/6,7
Velocidad máxima marcha atrás, mph / km/h	2,2/3,5
Combustible, octanaje mínimo, sin plomo, etanol al 10 % como máximo y MTBE al 15 % como máximo, AKI/RON	87/91
Volumen del depósito de combustible, galones/litros	1,5/5,68
Tipo de aceite con temperaturas superiores a 0 °C (32 °F) (API: SJ-SN)	SAE 30
Tipo de aceite con temperaturas inferiores a 0 °C (32 °F) (API: SJ-SN)	SAE 5W30
Volumen de aceite con filtro de aceite, oz./litros	80/2,37
Volumen de aceite sin filtro de aceite, oz./litros	72/2,13
Sistema de lubricación	A presión con filtro de aceite
Sistema de refrigeración	Refrigeración por aire
Filtro de aire	Dual
Alternador, V, A a 3600 rpm	12 V, 15 A a 3600 rpm
Motor de arranque	Arranque eléctrico de 12 V

¹⁷ La potencia nominal declarada por el fabricante del motor se corresponde con la potencia bruta media al régimen de revoluciones especificado para un motor típico del modelo correspondiente, medida utilizando las normas SAE relativas a la potencia bruta de los motores. Consulte las especificaciones del fabricante del motor.

	TS 142T
Peso	
Peso con depósitos vacíos, lb/kg	465/211
Equipo de corte	
Número de cuchillas	2
Longitud de las cuchillas, pulg./cm	21/53,34
Anchura de corte, pulg./cm	42/107
Altura de corte, pulg./cm	1,0-4,0/2,5-10,2
Neumáticos	
Presión de los neumáticos, traseros y delanteros, PSI/kPa/bar	15/103/1
Ruedas delanteras orientables, pulg.	15 x 6-6
Neumáticos traseros, neumáticos para césped, pulg.	20 x 8-8
Frenos	Freno de estacionamiento mecánico
Sistema eléctrico	
Tipo	12 V
Batería	28 A
Bujía	Champion RN9YC
Distancia entre los electrodos, pulg./mm	0,030/0,76
Par de apriete de la bujía, lb-pie/Nm	14,75/20
Emisiones de ruido ¹⁸	
Nivel de potencia acústica medida, dB(A)	100
Nivel de potencia acústica garantizado L _{WA} dB(A)	100
Niveles acústicos ¹⁹	
Nivel de presión sonora en el oído del operario, dB(A)	80
Niveles de vibraciones ²⁰	
Nivel de vibración en el volante, m/s ²	4,25
Nivel de vibración en el asiento, m/s ²	0,92

¹⁸ Emisiones sonoras en el entorno medidas como potencia acústica (L_{WA}) según la directiva 2000/14/CE. El nivel referido de potencia sonora de la máquina se ha medido con el equipo de corte original que produce el nivel más elevado. La diferencia entre la potencia sonora garantizada y medida es que la potencia sonora garantizada también incluye la dispersión en el resultado de la medición y las variaciones entre diferentes máquinas del mismo modelo, según la directiva 2000/14/CE.

¹⁹ Los datos de nivel de presión sonora equivalente del producto que se han recogido tienen una dispersión estadística típica (desviación estándar) de 1 dB(A).

²⁰ Los datos referidos al nivel de vibración tienen una dispersión estadística habitual (desviación típica) de 1 m/s².

Servicio técnico

Servicio técnico

Haga una comprobación anual en un centro de servicio autorizado para asegurarse de que el producto funcione de manera segura y sin problemas durante la temporada alta. El mejor momento para realizar el mantenimiento o la revisión de este producto es la temporada baja.

Al enviar un pedido de piezas de repuesto, proporcione información sobre el año de compra, el modelo, el tipo y el n.º de serie.

Utilice siempre piezas de repuesto originales.

Declaración de conformidad

Declaración de conformidad CE

Nosotros, Husqvarna AB, SE 561 82 Huskvarna, SUECIA, declaramos bajo nuestra exclusiva responsabilidad que el producto representado:

Descripción	Cortacésped con asiento de motor de combustión
Marca	Husqvarna
Plataforma/tipo/modelo	TS 142T
Lote	Número de serie a partir del 2021 en adelante

Cumple las siguientes directivas y normas de la UE:

Directiva/Norma	Descripción
2006/42/CE	"relativa a las máquinas"
2011/65/UE	"restricciones a la utilización de determinadas sustancias peligrosas"
2014/30/UE	"relativa a la compatibilidad electromagnética"
2000/14/CE, 2005/88/CE	"relativa al ruido en exteriores"

Las normas armonizadas o especificaciones técnicas aplicadas son las siguientes: EN ISO 12100:2010, EN ISO 14982:2009, EN ISO 5395-1:2013/A1:2018, EN ISO 5395-3:2013/A1:2017/A2:2018, EN ISO 3744:2010, EN ISO 11094:1991, EN 1032:2009, EN IEC 63000:2018, EN IEC 63000:2018.

De conformidad con lo dispuesto en el Anexo VI de la directiva 2000/14/CE, los valores de ruido declarados son:

Nivel de potencia acústica medida: 99 dB(A).

Nivel acústico garantizado: 100 dB(A).

El cortacésped con asiento de motor de combustión suministrado concuerda con el ejemplar que fue sometido a examen.

En nombre de Husqvarna AB, SE 561 82 Huskvarna, SUECIA, 2021-06-07.



Claes Losdal

Responsable de la documentación técnica.



Inhalt

Einleitung.....	198	Lagerung.....	233
Sicherheit.....	202	Entsorgung.....	234
Montage.....	207	Technische Daten.....	234
Betrieb.....	209	Service.....	236
Wartung.....	214	Konformitätserklärung.....	237
Fehlersuche.....	228	Anhang	238
Transport, Lagerung und Entsorgung.....	233		

Einleitung

Inspektion vor der Auslieferung und Artikelnummern

Sie sicher, dass Sie eine unterschriebene Kopie des Auslieferungsinspektions-Dokuments von Ihrem Händler erhalten.

Hinweis: Eine Inspektion vor der Auslieferung wurde für dieses Gerät vorgenommen. Stellen

Kontakt Information der Servicewerkstatt:	
Dieses Handbuch gehört zum Gerät mit der Artikelnummer/Seriennummer:	
/	
Motor:	
Getriebe:	

Gerätebeschreibung

Dies ist ein Rasentraktor mit zwischen Vorder- und Hinterachse befindlichem Mähdeck. Er verfügt über einen benzinbetriebenen Viertaktmotor.

Optionales Zubehör:

- Grasfänger
- Mulcheinsatz

Verwendungszweck

Dieses Produkt dient nur zum Schneiden von Gras in privaten Gärten und privaten Gartenhängen mit maximal 15° Gefälle. Es ist nicht für die Verwendung in öffentlichen Parks, Sportstätten, für die Landwirtschaft oder in der Forstwirtschaft vorgesehen. Verwenden Sie das Gerät nur mit Zubehörteilen, die vom Hersteller genehmigt sind.

Abweichende Verwendung des Produkts ist unsachgemäß. Dadurch erlischt die Garantie, und die Verantwortung seitens des Herstellers für Schäden bei Dritten geht auf den Benutzer über.

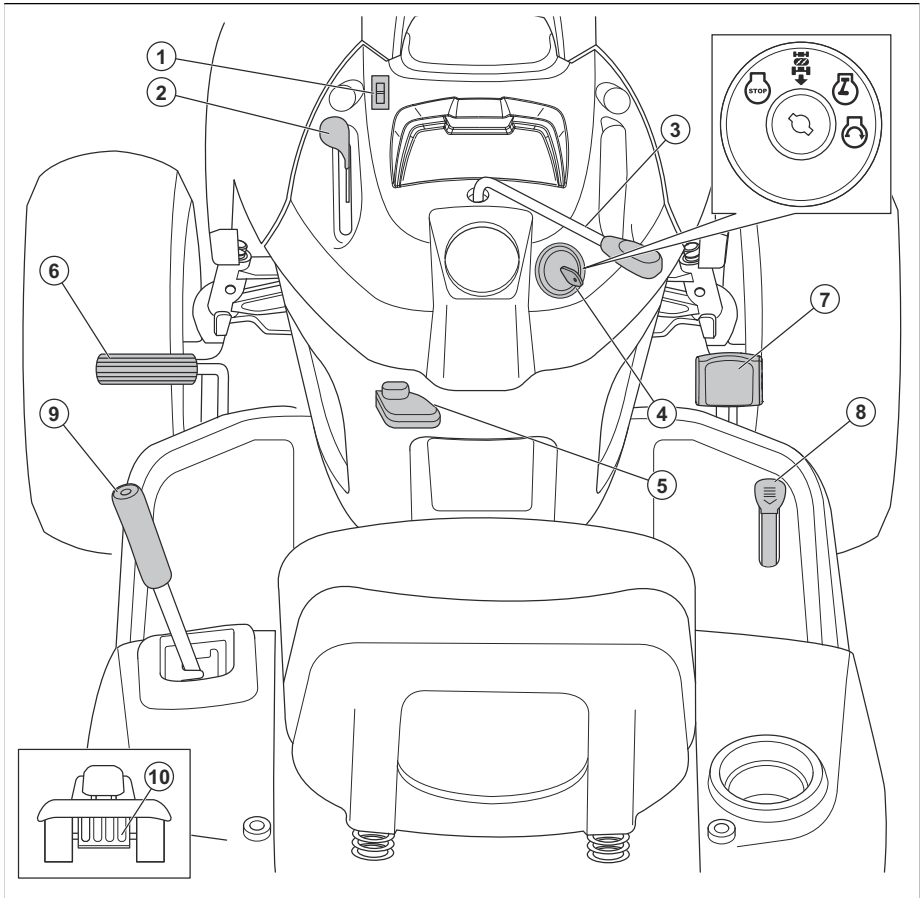
Siehe lokale Richtlinien für den Betrieb von Rasenmähern.

Support/Hilfe

Wenn Sie Hilfe benötigen oder Fragen zur Anwendung, zum Betrieb, zur Wartung oder zu Teilen für Ihr Gerät haben:

- Besuchen Sie unsere Website: www.husqvarna.com
- Rufen Sie uns kostenlos an: 1-800-487-5951

Geräteübersicht



- 1. Lichtschalter
- 2. Gashebel
- 3. Kupplungssteuerung Anbaugerät
- 4. Zündschalter
- 5. Hebel der Handbremse
- 6. Bremspedal
- 7. Vorwärtspedal
- 8. Rückwärtspedal
- 9. Hubhebel für Anbaugeräte
- 10. Freilaufhebel



ACHTUNG: Unsachgemäße Verwendung kann zu Schäden am Gerät oder an persönlichem Eigentum führen.



Lesen Sie die Bedienungsanleitung sorgfältig durch, und machen Sie sich mit den Anweisungen vertraut, bevor Sie das Gerät benutzen.

Symbole auf dem Gerät



Warnung! Gehen Sie vorsichtig vor und verwenden Sie das Gerät ordnungsgemäß. Dieses Gerät kann schwere oder tödliche Verletzungen des Bedieners oder anderer Personen verursachen.

R
N

Rückwärts.

Leerlauf.



Hoch.



Niedrig.



Startposition für kaltes Wetter.



Schnell.



Langsam.



Choke.



Zündschalter.



Motor aus.



Motorstart.



Motor ein.



Brems- und Kupplungspedal.



Handbremse.



Handbremse ist aktiviert.



Handbremse ist gelöst.



Schnitthöhe.



Mähdeck angehoben.



Differentialsperre.



Rückwärtsfahrssystem (ROS).



Rückwärts.



Vorwärts.



Scheinwerfer ein.



Kraftstoff.



Öldruck.



Batterie



Gehörschutz empfohlen.



Die Klingen sind deaktiviert.



Die Klingen sind aktiviert.



Risiko einer Kohlenmonoxidvergiftung.



Achten Sie auf hochgeschleuderte Gegenstände.



Gefahr. Hände und Füße fernhalten.



Zuschauer sollten einen Sicherheitsabstand einhalten.



Das Symbol für Feuer weist auf ein Risiko hin, das, wenn es nicht beachtet wird, zu tödlichen oder schweren Verletzungen und/oder Schäden führen kann.



Schalleistungspegel.



Dieses Gerät entspricht den geltenden EG-Richtlinien.



Dieses Gerät entspricht den geltenden UK-Richtlinien.



Halten Sie Hände und Füße von diesem Bereich fern.



Verwenden Sie das Gerät nicht auf Steigungen von mehr als 15°.



Heiße Oberflächen. Nicht berühren.



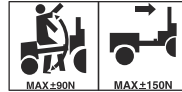
Das Leitblech am Mähdeck muss montiert sein, wenn Sie das Gerät bedienen.



Der Grasfänger muss montiert sein, wenn Sie das Gerät bedienen.



Handquetschgefahr.



Zugstangenlast.



Freilauf (nur Automatik-Modelle).

Produkthaftung

Im Sinne der Produkthaftungsgesetze übernehmen wir keine Haftung für Schäden, die unser Gerät verursacht, wenn...

- das Gerät nicht ordnungsgemäß repariert wird.
- das Gerät mit Teilen repariert wird, die nicht vom Hersteller stammen oder nicht vom Hersteller zugelassen sind.
- ein Zubehörteil mit dem Gerät verwendet wird, das nicht vom Hersteller stammt oder nicht vom Hersteller zugelassen ist.
- das Gerät nicht bei einem zugelassenen Service Center oder von einem zugelassenen Fachmann repariert wird.

Sicherheitsdefinitionen

Warnungen, Vorsichtsmaßnahmen und Hinweise werden verwendet, um auf besonders wichtige Teile der Bedienungsanleitung hinzuweisen.



WARNUNG: Wird verwendet, wenn bei Nichtbeachtung der Anweisungen in diesem Handbuch die Gefahr von Verletzung oder Tod des Bedieners oder anderer Personen besteht.



ACHTUNG: Wird verwendet, wenn bei Nichtbeachtung der Anweisungen in diesem Handbuch die Gefahr von Schäden am Gerät, an anderen Materialien oder in der Umgebung besteht.

Hinweis: Für weitere Informationen, die in bestimmten Situationen nötig sind.

Hinweise zur sicheren Bedienung von Aufsitzmähern



WARNUNG: Dieses Gerät kann Hände oder Füße abtrennen und Gegenstände durch die Luft schleudern. Bei Missachtung der folgenden Sicherheitshinweise besteht die Gefahr schwerer Verletzungen oder tödlicher Unfälle.



WARNUNG: Ziehen Sie immer den Zündkerzenstecker ab und legen Sie den Stecker so, dass er die Zündkerze nicht berühren kann. Damit verhindern Sie einen unvorhergesehenen Motorstart beim Rüsten, Transportieren, Einstellen und Reparieren.



WARNUNG: Fahren Sie nicht im Leerlauf einen Hügel herunter, Sie können die Kontrolle über den Traktor verlieren.



WARNUNG: Schleppen Sie nur Anbaugeräte, die vom Traktorhersteller empfohlen werden und dessen Spezifikationen entsprechen. Arbeiten Sie beim Schleppen mit gesundem Menschenverstand. Fahren Sie an einer Steigung nur mit der niedrigsten

möglichen Drehzahl. Zu schwere Last ist bei Steigung gefährlich. Die Reifen können die Bodenhaftung verlieren und dazu führen, dass Sie die Kontrolle über Ihren Traktor verlieren.



WARNUNG: Abgase aus dem Maschinenmotor und bestimmte darin enthaltene Stoffe und bestimmte Maschinenteile enthalten Chemikalien oder setzen diese frei, die als Verursacher von Krebs, Schäden beim Embryo oder anderer Fortpflanzungsschäden gelten.

I. KINDER



WARNUNG: ES BESTEHT VERLETZUNGSGEFAHR FÜR KINDER DURCH DIESE MASCHINE. Die US-amerikanische Akademie für Kinderärzte (American Academy of Pediatrics) empfiehlt für Kinder ein Mindestalter von 12 Jahren für den Betrieb eines normalen Rasenmähers, und ein Mindestalter von 16 Jahren für den Betrieb eines Aufsitzmähers.



WARNUNG: KINDER KÖNNEN VON DIESER AUSTRÜSTUNG SCHWER VERLETZT ODER GETÖTET WERDEN. Lesen und befolgen Sie alle folgenden Sicherheitshinweise.

Es kann zu tragischen Unfällen kommen, wenn sich der Bediener nicht der Anwesenheit von Kindern bewusst ist. Kinder werden häufig von der Maschine und von Mäharbeiten angezogen. Verlassen Sie sich niemals darauf, dass Kinder an dem Ort stehen bleiben, an dem Sie sie zuletzt gesehen haben.

- Halten Sie Kinder aus dem Gefahrenbereich fern und unter Aufsicht eines aufmerksamen Erwachsenen (nicht der Bediener).
- Passen Sie auf und schalten Sie die Maschine aus, wenn sich ein Kind nähert.
- Schauen Sie vor dem Wenden und während des Wendens nach hinten und unten, und achten Sie auf Kinder.
- Transportieren Sie keine Kinder, auch nicht bei deaktivierten Klingen. Kinder können herunterfallen und sich so entweder ernsthaft verletzen oder den sicheren Betrieb der Maschine beeinträchtigen. Kinder, die bereits einmal mitgenommen wurden, können plötzlich im Arbeitsbereich erscheinen, weil sie erneut mitfahren möchten. In diesem Fall besteht die

Gefahr, dass sie von der Maschine überfahren oder zu Fall gebracht werden.

- Lassen Sie niemals Kinder das Gerät bedienen.
- Gehen Sie besonders umsichtig vor, wenn Sie sich unübersichtlichen Ecken, Büschen, Bäumen oder anderen Objekten nähern, die die Sicht auf ein Kind verdecken können.

II. ALLGEMEINE BETRIEBSANWEISUNGEN

- Machen Sie sich mit allen Anweisungen an der Maschine und im Handbuch vertraut, bevor Sie die Maschine starten.
- Halten Sie Hände und Füße von den rotierenden Teilen unter der Maschine fern. Halten Sie sich stets von der Auswurföffnung fern.
- Das Gerät darf nur von verantwortungsvollen Erwachsenen betrieben werden, die sich mit den Anweisungen auskennen.
- Entfernen Sie Objekte (Steine, Spielzeug, Draht etc.), die von den Messern aufgenommen und umhergeschleudert werden können, aus dem Arbeitsbereich.
- Stellen Sie vor dem Start sicher, dass sich keine Zuschauer im Arbeitsbereich aufhalten. Stoppen Sie die Maschine, wenn eine Person in den Arbeitsbereich kommt.
- Transportieren Sie keine Passagiere.
- Mähen Sie nur dann im Rückwärtsgang, wenn dies absolut erforderlich ist. Schauen Sie stets nach unten und nach hinten, wenn Sie rückwärtsfahren.
- Richten Sie den Materialauswurf niemals auf Personen. Vermeiden Sie den Materialauswurf gegen eine Wand oder ein Hindernis. Material könnte auf den Bediener zurückprallen. Stoppen Sie die Klingen, wenn Sie über Kiesflächen fahren.
- Benutzen Sie die Maschine nur, wenn der Grasfänger, die Auswurfrutsche oder andere Sicherheitseinrichtungen komplett montiert und funktionstüchtig sind.
- Bremsen Sie vor dem Wenden ab.
- Lassen Sie die laufende Maschine nicht unbeaufsichtigt. Schalten Sie vor dem Absteigen immer die Klingen aus, betätigen Sie die Feststellbremse, und stellen Sie den Motor ab.
- Schalten Sie die Messer aus, wenn Sie nicht mähen. Schalten Sie den Motor ab und warten Sie, bis alle Bauteile zum Stillstand gekommen sind, bevor Sie die Maschine reinigen, den Grasfänger abbauen oder die verstopfte Auswurfrutsche säubern.
- Betreiben Sie die Maschine nur bei Tageslicht oder guter künstlicher Beleuchtung.
- Betreiben Sie die Maschine nicht unter Alkohol- oder Drogeneinfluss.
- Achten Sie beim Betrieb in der Nähe oder beim Überqueren von Straßen auf den Verkehr.
- Gehen Sie besonders umsichtig vor, wenn Sie die Maschine auf einen Anhänger oder Lkw verladen oder von dort entladen.

- Tragen Sie während des Betriebs stets einen Sichtschutz.
- Tragen Sie einen Gehörschutz, um Hörschäden zu vermeiden.
- Aus den Statistiken geht hervor, dass Benutzer von Aufsitzmähern im Alter von 60 Jahren oder älter zu einem hohen Anteil an Unfällen mit Verletzungen beteiligt sind. Diese Bediener sollten ihre Fähigkeit zum sicheren Betrieb des Aufsitzmähers kritisch hinterfragen, um sich und andere vor Verletzungen zu schützen.
- Befolgen Sie die Empfehlungen des Herstellers zu Rad- und Gegengewichten.
- Halten Sie die Maschine frei von Gras, Blättern und sonstigem Unrat, die mit dem heißen Auspuff/Motor in Berührung kommen und einen Brand entfachen können. Vermeiden Sie, dass sich unter dem Mähdeck Blätter und anderer Unrat ansammeln können. Entfernen Sie ausgetretenes Öl oder Kraftstoff, bevor Sie die Maschine betreiben oder lagern. Lassen Sie die Maschine vor dem Einlagern abkühlen.

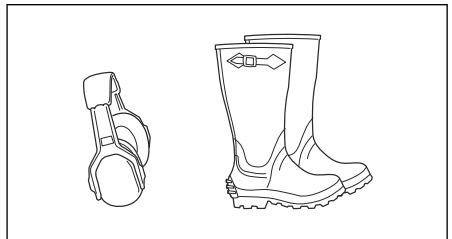
Sicherheitshinweise für den Betrieb

Persönliche Schutzausrüstung



WARNUNG: Lesen Sie die folgenden Warnhinweise, bevor Sie das Gerät verwenden.

- Verwenden Sie die vorgeschriebene persönliche Schutzausrüstung bei der Benutzung des Geräts. Die persönliche Schutzausrüstung kann Verletzungen nicht vollständig vermeiden, vermindert aber den Umfang der Verletzungen und Schäden bei einem Unfall. Lassen Sie sich von Ihrem Händler bei der Auswahl der richtigen Ausrüstung unterstützen.
- Tragen Sie einen zugelassenen Gehörschutz. Eine längerfristige Lärmeinwirkung kann zu bleibenden Gehörschäden führen.
- Tragen Sie rutschfeste Sicherheitstiefel oder -schuhe. Stahlkappen werden empfohlen. Verwenden Sie keine offenen Schuhe und gehen Sie nicht barfuß.



- Tragen Sie bei Bedarf Schutzhandschuhe, beispielsweise bei der Montage, der Untersuchung oder der Reinigung der Schneidausrüstung.

- Tragen Sie keine lose sitzende Kleidung, Schmuck oder andere Gegenstände, die sich in beweglichen Teilen verfangen können.
- Halten Sie eine Erste-Hilfe-Ausrüstung und einen Feuerlöscher griffbereit.

Sicherheitsvorrichtungen am Gerät



WARNUNG: Lesen Sie die folgenden Warnhinweise, bevor Sie das Produkt verwenden.

- Verwenden Sie kein Gerät mit Sicherheitsvorrichtungen, die beschädigt sind oder nicht ordnungsgemäß funktionieren. Führen Sie regelmäßig eine Überprüfung der Sicherheitsvorrichtungen durch. Wenn die Sicherheitsvorrichtungen beschädigt sind, wenden Sie sich an Ihre Husqvarna Servicewerkstatt.
- Führen Sie keine Änderungen an den Sicherheitsvorrichtungen durch. Verwenden Sie das Gerät nicht, wenn Schutzbleche, Schutzabdeckungen, Sicherheitsschalter oder andere Schutzvorrichtungen nicht angebracht oder beschädigt sind.

So überprüfen Sie die Bedienerpräsenzsteuerung (Totmanngriff) (OPC)



WARNUNG: Betreiben Sie das Gerät nicht mit einer nicht ordnungsgemäß funktionierenden Bedienerpräsenzsteuerung (OPC). Wenn die Bedienerpräsenzsteuerung nicht ordnungsgemäß funktioniert, reparieren Sie sie sofort. Bitte eine autorisierte Servicewerkstatt kontaktieren.

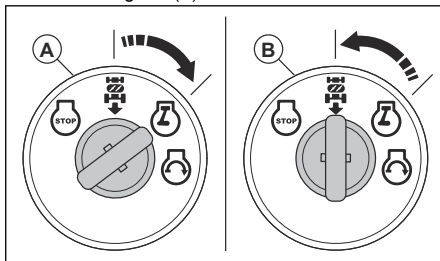
- Stellen Sie sicher, dass der Motor erst starten kann, wenn das Bremspedal vollständig durchgedrückt und das Mähdeck angehoben ist.
- Stellen Sie sicher, dass der Motor stoppt, wenn der Fahrer seinen Sitz bei gelöster Handbremse verlässt.
- Stellen Sie sicher, dass der Motor stoppt, wenn der Fahrer seinen Sitz bei aktiviertem Mähdeck verlässt.
- Stellen Sie sicher, dass die Kupplungssteuerung für das Mähdeck nicht funktioniert, wenn sich der Fahrer nicht auf dem Sitz befindet.

So kontrollieren Sie das Rückwärtsfahrssystem (ROS)

Wenn das Rückwärtsfahrssystem nicht ordnungsgemäß funktioniert, reparieren Sie das Gerät sofort. Bitte eine autorisierte Servicewerkstatt kontaktieren.

1. Starten Sie das Gerät. Siehe *So starten Sie das Gerät auf Seite 209*.

2. Aktivieren Sie das Mähdeck. Siehe *So aktivieren und deaktivieren Sie das Mähdeck auf Seite 212*.
3. Stellen Sie sicher, dass der Motor gestoppt wird, wenn Sie versuchen, mit dem Zündschlüssel in der Stellung ON (A) rückwärts zu fahren.



4. Starten Sie das Gerät, und aktivieren Sie das Mähdeck erneut.
5. Stellen Sie den Zündschalter in die Stellung „ROS On“ (B).
6. Stellen Sie sicher, dass der Motor nicht stoppt, wenn Sie mit dem Zündschlüssel in der Stellung „ROS On“ rückwärts fahren.

So kontrollieren Sie die Bremse



WARNUNG: Wartung der Bremsen ist erforderlich, wenn das Gerät bei Höchstgeschwindigkeit und im höchsten Gang auf ebenem, trockenem Untergrund mehr als 1,5 m Bremsweg benötigt.

1. Parken Sie das Gerät auf einer ebenen, trockenen Asphalt- oder Betonstrecke. Drücken Sie das Bremspedal ganz nach unten und ziehen Sie die Handbremse an.
2. Stellen Sie den Freilaufregler in die ausgelöste Position, um das Getriebe auszuschalten.
3. Wenn Sie jetzt versuchen, den Traktor von Hand nach vorn zu schieben, müssen die Hinterräder blockieren und sperren. Wenn die Hinterräder sich drehen, sind Wartungsarbeiten an der Bremse erforderlich.
4. Wenden Sie sich an ein autorisiertes Service Center.

Feststellbremse



WARNUNG: Wenn die Feststellbremse nicht funktioniert, kann das Gerät sich in Bewegung setzen und Verletzungen oder Schäden verursachen. Stellen Sie sicher, dass die Feststellbremse regelmäßig überprüft und eingestellt wird.

Siehe *So kontrollieren Sie die Bremse auf Seite 204*.

Schalldämpfer

Der Schalldämpfer senkt den Geräuschpegel so weit wie möglich und hält die Abgase des Motors vom Anwender fern.

Verwenden Sie das Gerät nicht, wenn der Schalldämpfer fehlt oder beschädigt ist. Ein beschädigter Schalldämpfer erhöht den Geräuschpegel und die Brandgefahr.



WARNUNG: Der Schalldämpfer wird während und nach Gebrauch und wenn der Motor im Leerlauf läuft, sehr heiß. Seien Sie in der Nähe von entzündlichen Materialien und/oder Dämpfen besonders vorsichtig, um Brandgefahr zu verhindern.

So prüfen Sie den Schalldämpfer

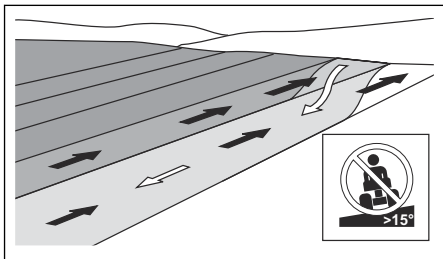
- Überprüfen Sie den Schalldämpfer regelmäßig, um sicherzustellen, dass er richtig angebracht und nicht beschädigt ist.

So mähen Sie den Rasen an Steigungen



WARNUNG: Lesen Sie die folgenden Warnhinweise, bevor Sie das Gerät benutzen.

- Beim Rasenmähen an Steigungen besteht ein erhöhtes Risiko, dass Sie das Gerät nicht kontrollieren können und es umkippt. Dies kann zu Verletzungen oder zum Tod führen. Es ist notwendig, auf abschüssigem Gelände vorsichtig zu mähen. Wenn Sie am Hang nicht wenden können oder wenn Sie sich dabei nicht sicher fühlen, mähen Sie dort nicht.
- Entfernen Sie Steine, Äste und andere Hindernisse.
- Mähen Sie den Hang hinauf und hinunter, nicht von Seite zu Seite.
- Fahren Sie einen Hang nicht mit angehobenem Mähdeck hinunter.
- Verwenden Sie das Gerät nicht in Gelände mit einer Neigung von mehr als 15°.



- Starten oder stoppen Sie nicht am Hang.
- Bewegen Sie sich an Hängen gleichmäßig und langsam.

- Vermeiden Sie abrupte Geschwindigkeits- und Richtungswechsel.
- Wenden Sie nicht mehr als notwendig. Wenden Sie langsam und schrittweise, wenn Sie einen Hang hinunterfahren. Fahren Sie mit niedriger Geschwindigkeit. Drehen Sie das Lenkrad vorsichtig.
- Achten Sie auf Furchen, Löcher und Unebenheiten und fahren Sie nicht darüber hinweg. Am Hang besteht ein erhöhtes Risiko, dass das Gerät umkippt. Langes Gras kann Hindernisse verdecken.
- Mähen Sie nicht in der Nähe von Kanten, Gräben oder Böschungen. Das Gerät kann plötzlich umkippen, wenn ein Rad über den Rand einer steilen Steigung oder eines Grabens fährt oder wenn eine Kante nachgibt.
- Mähen Sie nicht, wenn das Gras nass ist. Es ist rutschig, und die Räder können die Haftung verlieren, sodass das Gerät rutscht.
- Stellen Sie nicht einen Fuß auf den Boden, um das Gerät zu stabilisieren.
- Bewegen Sie das Gerät sehr vorsichtig, wenn ein Zubehörteil oder anderes Objekt angebracht ist, das die Stabilität des Geräts beeinträchtigen kann.

Sicherer Umgang mit Kraftstoff



WARNUNG: Lesen Sie die folgenden Warnhinweise, bevor Sie das Gerät verwenden.

- Kraftstoff ist feuergefährlich; durch die ausströmenden Dämpfe besteht Explosionsgefahr. Um Verletzungen, Feuer oder Explosionen zu vermeiden, seien Sie beim Umgang mit Kraftstoff vorsichtig.
- Atmen Sie die Kraftstoffdämpfe nicht ein. Die Kraftstoffdämpfe sind giftig und können Verletzungen verursachen. Achten Sie auf ausreichende Belüftung.
- Entfernen Sie nicht den Tankdeckel oder füllen den Kraftstofftank, wenn der Motor eingeschaltet ist.
- Vergewissern Sie sich, dass der Motor abgekühlt ist, bevor Sie Kraftstoff nachfüllen.
- Füllen Sie Kraftstoff nicht in geschlossenen Räumen auf. Eine mangelhafte Luftzirkulation kann zu schweren oder tödlichen Verletzungen durch Erstickung oder einer Kohlenmonoxidvergiftung führen.
- Rauchen Sie nicht in der Nähe des Kraftstoffs oder des Motors.
- Stellen Sie keine heißen Gegenstände in der Nähe des Kraftstoffs oder des Motors ab.
- Füllen Sie Kraftstoff nicht in der Nähe von Funken oder Feuer ein.
- Öffnen Sie vor dem Nachfüllen den Tankdeckel langsam, und lassen Sie den Druck vorsichtig entweichen.

- Kraftstoff auf der Haut kann Verletzungen verursachen. Wenn Kraftstoff auf Ihre Haut gelangt, waschen Sie diesen mit Wasser und Seife ab.
- Wechseln Sie sofort die Kleidung, wenn Sie Kraftstoff darauf verschütten.
- Füllen Sie den Kraftstofftank nicht vollständig auf. Durch Hitze dehnt sich der Kraftstoff aus. Lassen Sie deshalb einen Freiraum im oberen Bereich des Kraftstofftanks.
- Schrauben Sie den Kraftstofftankdeckel fest zu. Wenn der Tankdeckel nicht fest zugeschraubt ist, besteht Feuergefahr.
- Bevor Sie das Gerät starten, entfernen Sie es mindestens 3 m/10 ft vom Auffüllort.
- Starten Sie das Gerät nicht, wenn sich Kraftstoff oder Öl darauf befindet. Entfernen Sie Kraftstoff oder Motoröl an unerwünschten Stellen vom Gerät und lassen Sie das Gerät trocknen, bevor Sie den Motor starten.
- Überprüfen Sie den Motor regelmäßig auf Undichtigkeiten. Starten Sie den Motor bei einer Leckage im Kraftstoffsystem nicht, bis die Undichtigkeiten repariert werden.
- Suchen Sie den Motor nicht mit den Händen nach Undichtigkeiten ab.
- Bewahren Sie Kraftstoff nur in zugelassenen Behältern auf.
- Wenn Sie das Gerät und den Kraftstoff lagern, stellen Sie sicher, dass Kraftstoff und Kraftstoffdämpfe keinen Schaden verursachen können.
- Lassen Sie den Kraftstoff im Freien und abseits von Feuer und Funken in einen für Kraftstoff zugelassenen Behälter ab.

- Entsorgen Sie ausgetauschte Akkus. Siehe *Entsorgung auf Seite 234*.
- Von der Batterie können explosive Gase ausgehen. Rauchen Sie nicht in der Nähe der Batterie! Halten Sie den Akku von offenen Flammen oder Funken fern.

Transportsicherheit

- Verwenden Sie ein für den Transport des Geräts zugelassenes Fahrzeug.
- Der Transport des Geräts kann durch nationale oder lokale Vorschriften eingeschränkt sein.
- Der Fahrer des Transportfahrzeugs ist für die sichere Befestigung des Geräts während des Transports verantwortlich. Siehe *Transport auf Seite 233*.

Sicherheitshinweise für die Wartung



WARNUNG: Das Gerät ist schwer und kann zu Verletzungen oder Schäden an Eigentum oder angrenzenden Bereichen führen. Führen Sie keine Wartungsarbeiten an Motor oder Mähdeck durch, ohne dass die folgenden Bedingungen erfüllt sind:

- Der Motor ist ausgeschaltet.
- Das Gerät ist auf einer ebenen Fläche abgestellt.
- Die Handbremse ist angezogen.
- Der Zündschlüssel ist abgezogen.
- Das Mähdeck ist angehoben.
- Die Zündkabel sind von den Zündkerzen abgezogen.

Sicherer Umgang mit Akkus



WARNUNG: Ein beschädigter Akku kann eine Explosion verursachen und zu Verletzungen führen. Wenn der Akku deformiert oder beschädigt ist, wenden Sie sich an eine zugelassene Husqvarna Servicewerkstatt.



WARNUNG: Die Abgase des Motors enthalten Kohlenmonoxid, ein geruchloses, giftiges und sehr gefährliches Gas. Verwenden Sie das Gerät nicht in geschlossenen Räumen oder in Räumen mit unzureichendem Luftstrom.



WARNUNG: Lesen Sie die folgenden Warnhinweise, bevor Sie das Gerät benutzen.



WARNUNG: Lesen Sie die folgenden Warnhinweise, bevor Sie das Gerät warten.

- Verwenden Sie in der Nähe von Akkus stets eine Schutzbrille.
- Tragen Sie keine Uhren, Schmuck oder andere Gegenstände aus Metall in der Nähe des Akkus.
- Bewahren Sie den Akku außerhalb der Reichweite von Kindern auf.
- Laden Sie den Akku in einem Bereich mit guter Belüftung auf.
- Halten Sie entflammbare Materialien in einem Mindestabstand von 1 m, wenn Sie den Akku aufladen.

- Für eine optimale Leistung und Sicherheit führen Sie regelmäßig Wartungsarbeiten am Gerät entsprechend den Angaben im *Wartungsplan* durch. Siehe *Wartungsplan auf Seite 215*.
- Stromschläge können zu Verletzungen führen. Berühren Sie keine Kabel, während der Motor läuft. Führen Sie keinen Funktionstest an der Zündanlage mit den Fingern durch.
- Starten Sie den Motor nicht, wenn die Schutzabdeckungen entfernt wurden. Es besteht große Gefahr von Verletzungen durch bewegliche oder heiße Teile.

- Lassen Sie das Gerät abkühlen, bevor Sie Wartungsarbeiten im Bereich des Motors durchführen.
- Die Klingen sind scharf und können Schnittwunden verursachen. Umwickeln Sie die Klingen zum Schutz, oder tragen Sie Schutzhandschuhe, wenn Sie an ihnen arbeiten.
- Bringen Sie das Mähdeck immer in die Wartungsposition, um es zu reinigen. Stellen Sie das Gerät nicht am Rand eines Grabens oder einer Steigung ab, wenn Sie sich Zugang zum Mähdeck verschaffen möchten.
- Drehen Sie den Motor nicht, wenn die Zündkerze oder das Zündkabel entfernt wurde.
- Stellen Sie sicher, dass alle Muttern und Schrauben korrekt angezogen sind und dass die Ausrüstung in gutem Zustand ist.
- Ändern Sie nicht die Einstellung des Drehzahlreglers. Wenn die Motordrehzahl zu hoch ist, können die Gerätebestandteile beschädigt werden.
- Das Gerät nur mit der vom Hersteller gelieferten oder empfohlenen Ausrüstung zugelassen.



ACHTUNG: Lesen Sie die folgenden Vorsichtshinweise, bevor Sie das Gerät benutzen.

Montage

Einleitung



WARNUNG: Lesen Sie vor der Montage des Geräts das Kapitel über Sicherheit, und machen Sie sich damit vertraut.

So nehmen Sie das Gerät aus dem Karton

1. Entfernen Sie alle losen Teile, die im Lieferumfang des Geräts enthalten sind.
2. Entfernen Sie die Endplatten.
3. Entfernen Sie die Seitenverkleidungen und legen Sie sie auf eine flache Oberfläche.
4. Entfernen Sie alle Verpackungsmaterialien.
5. Nehmen Sie das Gerät aus dem Karton, und stellen Sie sicher, dass keine losen Teile im Karton verbleiben.

Montagewerkzeuge

- 1/2"-Schlüssel (13 mm)
- 7/16"-Schlüssel (11 mm, 2 Stück)
- Reifendruckmessgerät
- Messer
- Zange
- Steckschlüsselsatz (optional)

Lose Teile, die montiert werden müssen

Das Gerät ist nicht vollständig montiert. Die folgenden Teile sind beim Kauf des Geräts lose.



Schlüssel, 2 Stk.



Neigungsblech, 1 Stk.



Sechskantschraube, 2 Stk.



Muttern, 2 Stk.



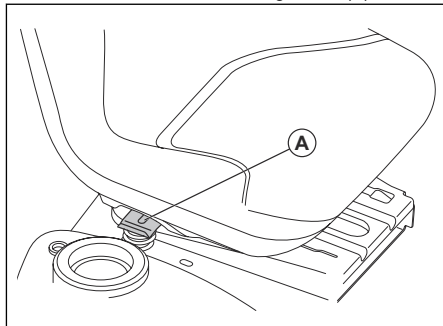
Düsenadapter, 1 Stk.



Ölablassleitung, 1 Stk.

So stellen Sie den Sitz ein

1. Setzen Sie sich auf den Sitz.
2. Heben Sie den Sitzeinstellungshebel (A) an.



3. Bewegen Sie den Sitz, bis er sich in einer Position befindet, in der Sie die Brems- und Kupplungspedale nach unten drücken können.
4. Lassen Sie den Sitzeinstellungshebel (A) los, um den Sitz in seiner Position zu verriegeln.

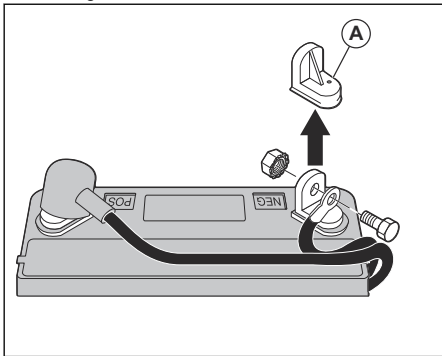
So schließen Sie die Batterie an



WARNUNG: Stromschlag- und Verbrennungsgefahr. Verwenden Sie keine Metallarmbänder oder anderes Metallzubehör. Metallgegenstände, die die Batteriepole berühren, können Verbrennungen, Stromschläge und Kurzschlüsse verursachen.

Hinweis: Wenn das Jahr und der Monat auf dem Batterieetikett überschritten sind, laden Sie die Batterie auf. Laden Sie die Batterie mindestens 1 Stunde lang bei 6 bis 10 A.

1. Die Batterie befindet sich unter dem Sitz oder der Motorabdeckung.
2. Heben Sie die Sitzschale an oder klappen Sie die Motorabdeckung hoch.
3. Entfernen Sie die 2 Klemmenkappen (A) und entsorgen Sie diese.



4. Schließen Sie das rote Batteriekabel an den Pluspol (+) an und ziehen Sie Schraube und Mutter wie abgebildet an. Schieben Sie die Klemmenabdeckung auf die Klemme.



WARNUNG: Risiko der Funkenbildung. Das rote Batteriekabel muss mit dem Pluspol verbunden werden, bevor das schwarze Batteriekabel mit dem Minuspol verbunden wird. Dadurch werden Funkenbildung und versehentliche Erdung verhindert.

5. Schließen Sie das schwarze Kabel an den Minuspol (-) an und ziehen Sie Schraube und Mutter fest.

6. Tragen Sie Vaseline auf die Batteriekabel auf, um Korrosion zu vermeiden.
7. Senken Sie die Sitzschale oder die Motorabdeckung wieder ab.

So bewegen Sie das Gerät vom Hemmschuh weg

1. Heben Sie das Mähdeck in die höchste Position. Verwenden Sie den Hubhebel.
2. Betätigen Sie das Kupplungs-/Bremspedal, um die Handbremse zu lösen.
3. Setzen Sie den Freilaufregler in die ausgelöste Getriebeposition, siehe *Transport, Lagerung und Entsorgung auf Seite 233*.
4. Drücken Sie das Gerät vom Hemmschuh nach vorn.
5. Entfernen Sie das Band, mit dem der Leitblechschutz am Gerät gehalten wird.

So führen Sie nach der Montage eine Kontrolle durch

- Stellen Sie sicher, dass alle Montageanweisungen ausgeführt wurden.
- Stellen Sie sicher, dass keine Teile in der Verpackung übrigbleiben.
- Stellen Sie sicher, dass die Batterie vorbereitet und korrekt geladen ist.
- Stellen Sie sicher, dass die Schrauben für den Sitz festgezogen sind und der Sitz korrekt eingestellt ist.
- Stellen Sie sicher, dass der Reifendruck stimmt.
- Stellen Sie für optimale Mähergebnisse sicher, dass das Mähdeck quer und in Längsrichtung im Gleichgewicht ist. Stellen Sie sicher, dass der Reifendruck korrekt ist, damit das Mähdeck im Gleichgewicht ist.
- Untersuchen Sie das Mähdeck und die Antriebsriemen. Stellen Sie sicher, dass die Antriebsriemen korrekt um die Riemenscheiben geführt sind und sich stets innerhalb der Riemenführung befinden.
- Überprüfen Sie die elektrischen Leitungen. Stellen Sie sicher, dass alle Kabel und Anschlüsse sicher sind.
- Stellen Sie sicher, dass sich der Freilaufregler in der eingekuppelten Position befindet. Siehe *Transport auf Seite 233*.
- Stellen Sie sicher, dass der Motorölstand ordnungsgemäß ist.
- Stellen Sie sicher, dass der Tank mit der richtigen Kraftstoffsorte gefüllt ist.
- Stellen Sie sicher, dass Sie die Position und Funktion aller Bedienelemente kennen.
- Stellen Sie sicher, dass sich die Bremsanlage in einem betriebssicheren Zustand befindet.

- Stellen Sie sicher, dass die Totmann- (OPC) und Rückwärtsfahrssysteme (ROS) richtig funktionieren. Siehe *So überprüfen Sie die Bedienerpräsenzsteuerung (Totmanngriff) (OPC) auf Seite 204* und *So kontrollieren Sie das Rückwärtsfahrssystem (ROS) auf Seite 204*.

- Lassen Sie vor der ersten Benutzung die Luft aus dem Getriebe ab. Siehe *So lassen Sie die Luft aus dem Getriebe ab auf Seite 227*.

Betrieb

Einleitung



WARNUNG: Lesen Sie vor Gebrauch des Geräts das Kapitel über Sicherheit, und machen Sie sich damit vertraut.

So füllen Sie Kraftstoff ein



WARNUNG: Benzin ist leicht entzündlich. Gehen Sie vorsichtig vor und befüllen Sie den Tank im Freien. Siehe *Sicherer Umgang mit Kraftstoff auf Seite 205*.



ACHTUNG: Verwenden Sie immer den richtigen Kraftstofftyp. Die Verwendung eines falschen Kraftstoffs führt zu Schäden am Gerät.

- Verwenden Sie den richtigen Kraftstofftyp. Siehe *Technische Daten auf Seite 234*. Weitere Informationen zum Kraftstoff finden Sie in der Motor-Betriebsanleitung des Motorherstellers.
- Kontrollieren Sie den Füllstand vor jedem Gebrauch und füllen Sie bei Bedarf auf.
- Füllen Sie den Kraftstofftank nicht vollständig. Der Abstand sollte mindestens 1 Zoll betragen.

So starten Sie das Gerät

Zu erledigen, bevor Sie das Gerät starten

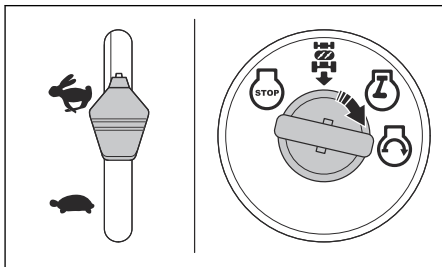


WARNUNG: Lesen Sie vor der Benutzung des Geräts die Anweisungen zur Gerätesicherheit und die Bedienungsanleitung.

1. Den Motorölstand kontrollieren. Siehe *So prüfen Sie den Motorölstand auf Seite 225*.
2. Kraftstofftank mit Kraftstoff auffüllen. Siehe *So füllen Sie Kraftstoff ein auf Seite 209*.
3. Deaktivieren Sie den Freilaufmodus. Siehe *So bringen Sie das Gerät in den Freilaufmodus auf Seite 213*.
4. Setzen Sie sich auf den für die Bedienung korrekt eingestellten Sitz.
5. Feststellbremse anziehen. Siehe *So betätigen und lösen Sie die Handbremse auf Seite 211*.

6. Stellen Sie sicher, dass das Mähdeck deaktiviert ist. Siehe *So aktivieren und deaktivieren Sie das Mähdeck auf Seite 212*.

So starten Sie einen warmen Motor



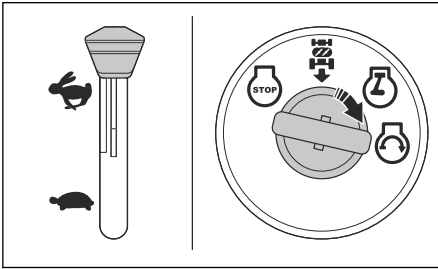
1. Setzen Sie sich auf den Sitz.
2. Stellen Sie sicher, dass das Mähdeck deaktiviert ist. Siehe *So aktivieren und deaktivieren Sie das Mähdeck auf Seite 212*.
3. Bringen Sie das Mähdeck in die Transportposition. Siehe *So bringen Sie das Mähdeck in die Transport- oder Mähstellung auf Seite 211*.
4. Bewegen Sie den Gashebel in die Stellung für schnelles Fahren.
5. Drücken Sie das Bremspedal vollständig durch und halten Sie es in dieser Stellung.
6. Bringen Sie den Zündschlüssel in die Zündstellung.
7. Drehen Sie den Zündschlüssel in Startstellung, und lassen Sie den Zündschlüssel los, wenn der Motor anspringt.



ACHTUNG: Aktivieren Sie den Anlasser nicht länger als 15 Sekunden pro Minute.

8. Wenn die Temperatur niedrig ist, lassen Sie den Motor warm werden, bevor Sie mit dem Mähen beginnen.

So starten Sie bei kaltem Motor



1. Setzen Sie sich auf den Sitz.
2. Stellen Sie sicher, dass das Mähdeck deaktiviert ist. Siehe *So aktivieren und deaktivieren Sie das Mähdeck auf Seite 212*.
3. Bringen Sie das Mähdeck in die Transportposition. Siehe *So bringen Sie das Mähdeck in die Transport- oder Mähstellung auf Seite 211*.
4. Bewegen Sie den Gashebel in die Choke-Stellung.
5. Drücken Sie das Bremspedal vollständig durch und halten Sie es in dieser Stellung.
6. Bringen Sie den Zündschlüssel in die Zündstellung.
7. Drehen Sie den Zündschlüssel in Startstellung, und lassen Sie den Zündschlüssel los, wenn der Motor anspringt.



ACHTUNG: Aktivieren Sie den Anlasser nicht länger als 15 Sekunden pro Minute.

8. Wenn der Motor anspringt, bewegen Sie den Gashebel in die Stellung für schnelles Fahren (D), um den Motor aufzuwärmen. Wenn die Temperatur niedrig ist, dauert es einige Minuten, bis der Motor warm wird.



ACHTUNG: Wenn die Umgebungstemperatur unter 40° F (4° C) liegt, müssen Sie den Motor 1 Minute im Leerlauf laufen lassen, bevor Sie das Gerät in Betrieb nehmen. Dadurch läuft das Getriebe warm. Stellen Sie sicher, dass sich der Antriebshebel in der Leerlaufstellung befindet und das Bremspedal vollständig freigegeben ist.

So wärmen Sie das Getriebe bei kaltem Wetter auf

Hinweis: Wärmen Sie das Gerät vor dem Gebrauch bei kalter Witterung auf.

1. Stellen Sie das Gerät auf einer ebenen Fläche ab.
2. Lösen Sie die Handbremse und lassen Sie das Bremspedal langsam nach oben fahren.
3. Lassen Sie das Getriebe eine Minute lang warmlaufen. Dies kann während der Aufwärmphase des Motors erfolgen.
4. Wenn das Getriebe warm ist, kann die angebrachte Ausstattung während der Warmlaufzeit des Motors verwendet werden. Eventuell ist es dafür notwendig, den Choke-Hebel ein klein wenig herauszuziehen.

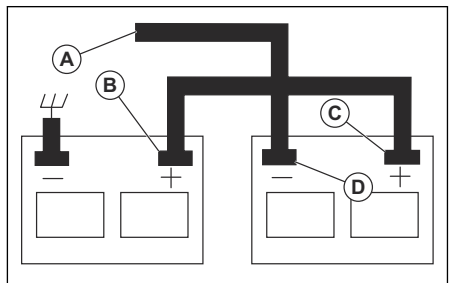
So starten Sie den Motor, wenn der Akku nur schwach geladen ist



WARNUNG: Blei-Säure-Akkus erzeugen explosive Gase. Halten Sie Funken, offenes Feuer und Rauchwaren von Akkus fern. Tragen Sie bei Arbeiten an Akkus stets einen Sichtschutz.

Wenn der Akku zum Starten des Motors zu schwach ist, muss er nachgeladen werden.

Werden zum Notstarten Überbrückungskabel verwendet, folgen Sie diese Anweisungen:



1. Verbinden Sie ein Ende des ROTEN Kabels mit dem PLUSPOL (+) jedes Akkus (B-C).



ACHTUNG: Achten Sie darauf, dass es nicht zu einem Kurzschluss am Chassis des Geräts kommt.

2. Verbinden Sie ein Ende des SCHWARZEN Kabels mit dem MINUSPOL (-) (D) eines vollständig geladenen Akkus.
3. Verbinden Sie das andere Ende des SCHWARZEN Kabels (A) mit einer guten Karosserie-Erdung (nicht in der Nähe von Kraftstofftank und Akku).

So entfernen Sie die Überbrückungskabel

Hinweis: Entfernen Sie die Überbrückungskabel in umgekehrter Reihenfolge, wie Sie sie angeschlossen haben.

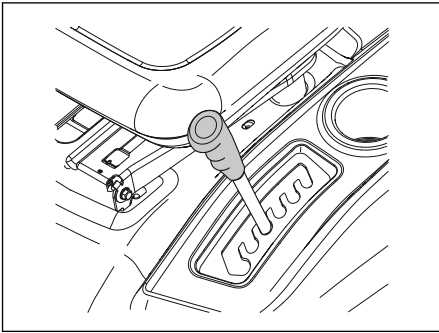
1. Entfernen Sie das SCHWARZE Kabel vom Chassis.
2. Entfernen Sie das SCHWARZE Kabel vom voll aufgeladenen Akku.
3. Entfernen Sie das ROTE Kabel von den 2 Batterien.

So bringen Sie das Mähdeck in die Transport- oder Mähstellung

Das Mähdeck muss sich während des Transports in der Transportstellung befinden.

- Um das Gerät in die Transportstellung zu bringen, ziehen Sie den Schnitthöhenhebel in Richtung des Sitzes, und stellen Sie ihn in die höchste Schnitthöhenstellung.
- Um das Gerät in die Mähstellung zu bringen, stellen Sie die korrekte Schnitthöhe ein. Siehe *So stellen Sie die Schnitthöhe ein auf Seite 211.*

So stellen Sie die Schnitthöhe ein



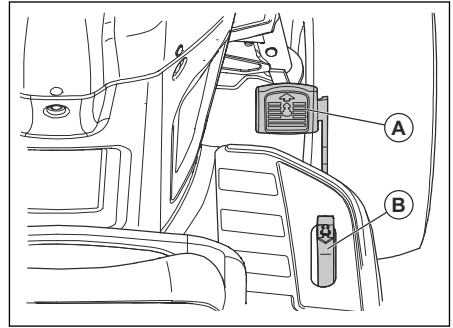
- Ziehen Sie den Hubhebel in Richtung des Sitzes und setzen Sie ihn in eine der Kerben für die korrekte Schnitthöhe ein.

Vorwärts- und Rückwärtsfahren

Richtung und Geschwindigkeit werden durch die Vorwärts- und Rückwärtsfahrpedale gesteuert.

1. Starten Sie den Motor.
2. Die Handbremse lösen. Siehe *So betätigen und lösen Sie die Handbremse auf Seite 211.*

3. Drücken Sie zum Anfahren vorsichtig das Vorwärtsfahrpedal (A) oder das Rückwärtsfahrpedal (B) nach unten.

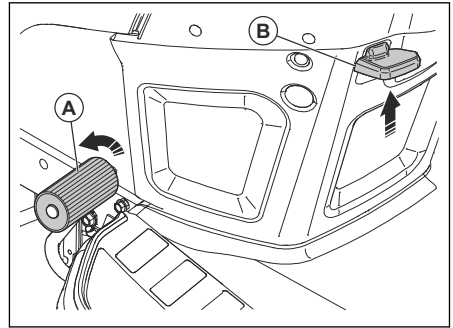


Hinweis: Das Vorwärts- und das Rückwärtsfahrpedal kehren zurück in die Neutralstellung, wenn sie nicht betätigt werden.

4. Drücken Sie das Vorwärts- oder Rückwärtsfahrpedal weiter nach unten, um die Fahrgeschwindigkeit zu erhöhen.

So betätigen und lösen Sie die Handbremse

1. Zum Aktivieren der Handbremse treten Sie das Bremspedal (A) vollständig nach unten durch.



2. Ziehen Sie bei gedrücktem Bremspedal den Handbremshebel (B) nach oben.
3. Lassen Sie das Bremspedal los.
4. Lösen Sie den Handbremshebel.

Hinweis: Stellen Sie sicher, dass die Handbremse das Gerät sicher im Stillstand hält.

5. Zum Lösen der Handbremse, drücken Sie das Bremspedal nach unten.

So stoppen Sie das Gerät



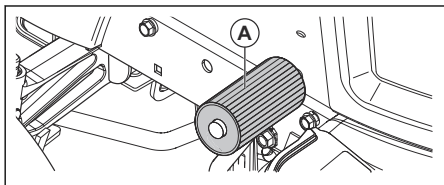
WARNUNG: Halten Sie das Gerät an, betätigen Sie die Handbremse und

ziehen Sie den Zündschlüssel ab, bevor Sie sich von dem Gerät entfernen.

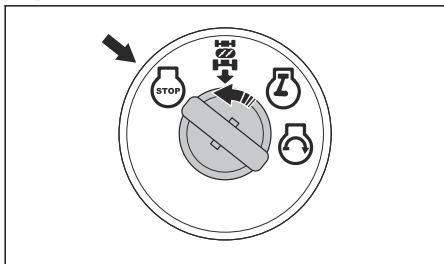


ACHTUNG: Die Abgase des warmen Motors können zu Brandschäden am Gras führen. Um Brandschäden am Gras zu verhindern, stellen Sie den Motor immer ab, wenn Sie das Gerät auf Rasenflächen anhalten.

1. Drücken Sie das Bremspedal (A) vollständig nach unten, bis das Gerät vollständig zum Stillstand kommt.

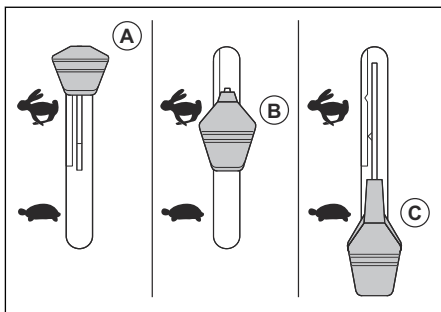


2. Deaktivieren Sie das Mähdeck. Siehe *So aktivieren und deaktivieren Sie das Mähdeck auf Seite 212*.
3. Bringen Sie den Gashebel in die Stellung für langsame Fahrt, und lassen Sie den Motor einige Minuten im Leerlauf laufen.
4. Bringen Sie das Mähdeck in die Transportstellung. Siehe *So bringen Sie das Mähdeck in die Transport- oder Mähstellung auf Seite 211*.
5. Drehen Sie den Zündschalter in die Stellung „STOP“ und entfernen Sie den Zündschlüssel.



So verwenden Sie den Gashebel

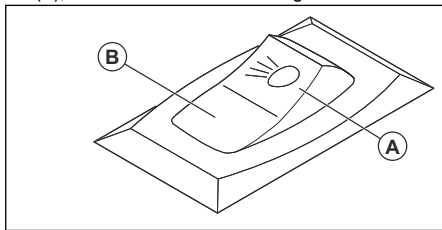
Der Gashebel passt die Motordrehzahl und die Drehzahl der Klingen im Mähdeck an.



- Stellen Sie den Gashebel in die Choke-Position (A), wenn Sie einen kalten Motor starten. Siehe *So starten Sie bei kaltem Motor auf Seite 210*.
- Bringen Sie den Gashebel in die Stellung für schnelle Fahrt (B), um den Motor mit voller Drehzahl zu betreiben. Stellen Sie beim Schneiden von Gras den Gashebel immer in die Stellung für schnelle Fahrt.
- Bringen Sie den Gashebel in die Stellung für langsame Fahrt (C), um den Motor im Leerlauf zu betreiben.

So verwenden Sie den Scheinwerfer

- Drücken Sie den Ein-/Aus-Schalter in Stellung (A), damit der Scheinwerfer eingeschaltet wird.



- Drücken Sie den Ein-/Aus-Schalter in Stellung (B), damit der Scheinwerfer ausgeschaltet wird.

So aktivieren und deaktivieren Sie das Mähdeck



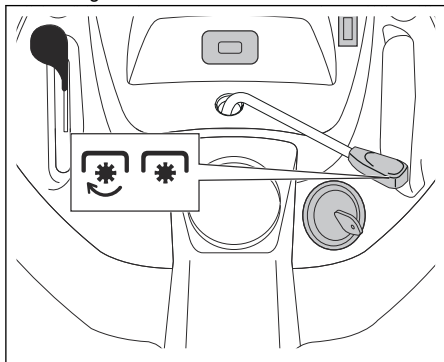
WARNUNG: Betreiben Sie das Mähdeck nicht ohne Leitblech oder Grasfänger, das/der am Grasauswurf montiert ist.

Das Gerät verfügt über eine Bedienerpräsenzsteuerung (OPC). Wenn Sie bei laufendem Motor und aktiviertem Mähdeck den Sitz verlassen, wird der Motor abgestellt.

Bleiben Sie voll in der Mitte des Sitzes, damit der Motor richtig funktioniert und nicht auf unebenem Boden oder an Hängen abschaltet.

1. Stellen Sie die richtige Schnitthöhe ein. Siehe *So stellen Sie die Schnitthöhe ein auf Seite 211*.

2. Bewegen Sie den Kupplungshebel für das Anbaugerät.



- a) Bewegen Sie den Kupplungshebel für das Anbaugerät nach vorn, um das Mähdeck zu aktivieren.
- b) Bewegen Sie den Kupplungshebel für das Anbaugerät nach hinten, um das Mähdeck zu deaktivieren.

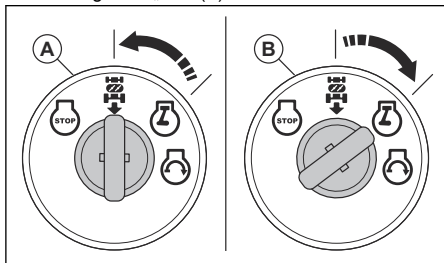
So bedienen Sie das Rückwärtsfahrssystem (ROS)

Hinweis: Wenn Sie versuchen, mit dem Gerät rückwärts zu fahren, während das Mähdeck aktiviert ist, wird der Motor sofort gestoppt. Aktivieren Sie das ROS, um mit dem Gerät rückwärts zu fahren, wenn das Mähdeck aktiviert ist.



WARNUNG: Sehen Sie nach unten und hinter das Gerät während Sie rückwärts fahren, um die Sicherheit anderer Personen zu gewährleisten.

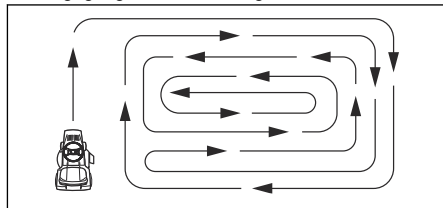
1. Drehen Sie den Zündschlüssel zum Einschalten des ROS gegen den Uhrzeigersinn in die Stellung ROS „ON“ (A).



2. Drücken Sie das Rückwärtsfahpedal zum Anfahren langsam nach unten.
3. Zum Deaktivieren des ROS drehen Sie den Zündschlüssel im Uhrzeigersinn auf die Motorstellung „ON“ (B).

So erhalten Sie ein gutes Mähergebnis

- Führen Sie für eine optimale Leistung regelmäßig Wartungsarbeiten am Gerät entsprechend den Angaben im Wartungsplan durch. Siehe *Wartungsplan auf Seite 215*.
- Mähen Sie keinen nassen Rasen. Nasses Gras kann zu schlechten Mähergebnissen führen.
- Verwenden Sie keine Schneeketten beim Anbringen des Mähdecks am Gerät.
- Sicherstellen, dass das Mähdeck gerade steht. Siehe *So stellen Sie die Fluchtung des Mähdecks ein auf Seite 222*.
- Beginnen Sie mit einer hohen Schnitthöhe, und verringern Sie diese allmählich, wenn das Gras hoch ist.
- Bewegen Sie das Gerät bei niedriger Geschwindigkeit vorwärts, wenn das Gras hoch und dick ist.
- Geben Sie Vollgas, wenn Sie das Gras schneiden.
- Schneiden Sie das Gras in einem unregelmäßigen Muster.
- Verwenden Sie die linke Seite des Mähdecks, wenn Sie in der Nähe von Bäumen, Büschen oder Wegen schneiden. Die Klinge schneidet ab ca. 15 mm von der Seite des Mähdecks.
- Wenn Sie große Bereiche mähen, bewegen Sie das Gerät während 1 oder 2 Umdrehungen um den Arbeitsbereich nach rechts. Dieses Verfahren hält den Grasauswurf von Sträuchern, Zäunen und Einfahrten fern. Mähen Sie nach ca. 2 Umdrehungen im Arbeitsbereich in die entgegengesetzte Richtung.



- Um die besten Mähergebnisse zu erzielen, mähen Sie den Rasen häufig.

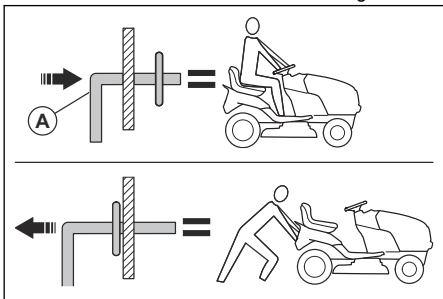
So bringen Sie das Gerät in den Freilaufmodus

Wenn das Gerät ohne Hilfe vom Motor bewegt oder abgescleift werden muss, müssen Sie das Gerät in den Freilaufmodus bringen.



WARNUNG: Bringen Sie das Gerät nicht an einer Steigung in den Freilaufmodus.

- Drücken Sie den Freilauf-Bedienhebel (A), um das Gerät in den Freilaufmodus zu bringen.



- Ziehen Sie den Freilauf-Bedienhebel heraus, um das Gerät mit dem Motor zu betreiben.

So montieren Sie den Mulcheinsatz (Zubehör)

Das Gerät kann mit einem Mulcheinsatz verwendet werden.

1. Bringen Sie das Mähdeck in die Transportstellung. Siehe *So bringen Sie das Mähdeck in die Transport- oder Mähstellung auf Seite 211*.
2. Entfernen Sie den Grasfänger oder das hintere Leitblech (Zubehör), falls dieser/dieses montiert ist.
3. Setzen Sie den Mulcheinsatz durch die Rückplatte und in den Auswurfschüttenadapter für das Mähdeck ein.

4. Verbinden Sie die 2 Gurte mit den Bohrungen an den Trägerarmen für den Grasfänger.
5. Montieren Sie den Grasfänger oder das hintere Leitblech.
6. Entfernen Sie den Mulcheinsatz in umgekehrter Reihenfolge.

Montieren des Grasfängers (Zubehör)

Das Gerät kann mit einem Grasfänger verwendet werden.

1. Bringen Sie das Mähdeck in die Transportstellung. Siehe *So bringen Sie das Mähdeck in die Transport- oder Mähstellung auf Seite 211*.
2. Entfernen Sie das hintere Leitblech (Zubehör) oder den Mulcheinsatz (Zubehör), falls dieses/ dieser montiert ist.
3. Setzen Sie den Auswurfsammler durch die Rückplatte und in den Auswurfschüttenadapter für das Mähdeck ein.
4. Bringen Sie die 2 Flügelmutter an.
5. Bringen Sie den Grasfänger an.
6. Zum Entfernen des Grasfängers führen Sie diese Schritte in umgekehrter Reihenfolge durch.

Wartung

Einleitung



WARNUNG: Lesen Sie vor dem Warten des Geräts das Kapitel über

Sicherheit, und machen Sie sich damit vertraut.

Wartungsplan

Wartungsplan		Vor jedem Gebrauch	In Abständen von 8 Stunden	In Abständen von 25 Stunden	In Abständen von 50 Stunden	In Abständen von 100 Stunden	Zu jeder Jahreszeit	Vor der Lagerung
Gerät	Die Bremsfunktion kontrollieren.	X	X					
	Den Reifendruck kontrollieren.	X	X					
	Die Bedienerpräsenzsteuerung (OPC) kontrollieren.	X						
	Das Rückwärtsfahrssystem (ROS) kontrollieren.	X						
	Kontrollieren, ob alle Befestigungselemente fest angezogen sind.	X				X		X
	Die Klingen auf Verschleiß und Beschädigungen prüfen.			X ²				
	Das Gerät schmieren. Siehe <i>Schmierplan auf Seite 216</i> .			X				X
	Den Ladezustand der Batterie kontrollieren.			X				
	Batterie und Klemmen reinigen.			X				X
	Ablagerungen von der Lenkungsplatte reinigen. Siehe <i>So reinigen Sie das Gerät auf Seite 217</i> .			X				
	Den Transaxle-Kühlerlüfter kontrollieren.			X				
	Sicherstellen, dass das Mähdeck gerade steht.					X		
	Die Keilriemen kontrollieren.						X	

²

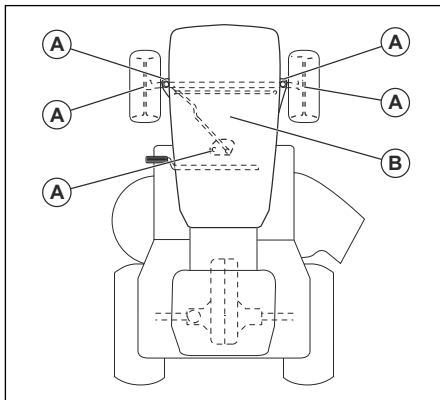
Die Klingen häufiger überprüfen, wenn Sie auf sandigen oder erdigen Böden mähen.

Wartungsplan		Vor jedem Gebrauch	In Abständen von 8 Stunden	In Abständen von 25 Stunden	In Abständen von 50 Stunden	In Abständen von 100 Stunden	Zu jeder Jahreszeit	Vor der Lagerung
Motor	Den Motorölstand kontrollieren.	X	X					
	Das Motoröl und den Ölfilter austauschen.					X ¹		X
	Den Luftfilter reinigen.			X ³				
	Das Luftgitter reinigen.			X ³				
	Eine Überprüfung des Schalldämpfers und Funkenschutzes durchführen.					X		
	Den Ölfilter ersetzen.					X ¹		
	Die Motorkühlrippen reinigen.					X ³		
	Die Zündkerze ersetzen.					X	X	
	Den Papier-Luftfiltereinsatz ersetzen.				X ³			
	Den Kraftstofffilter ersetzen						X	

Schmierplan



ACHTUNG: Schmieren Sie nicht die Drehzapfen mit besonderen Nylon-Lagern. Klebrige Schmiermittel können Schmutz anlagern. Der Schmutz verringert die Lebensdauer der besonderen Nylon-Lager. Wenn die Nylonlager geschmiert werden müssen, verwenden Sie nur eine geringe Menge Trockenschmiermittel.



A. Allgemeine Schmierung. Schmieren Sie die Schmierverbindung der Spindel, das Vorderradlager und die Zahnräder des Lenktriebteils.

¹ Häufig ausführen, wenn Sie unter schwerer Belastung, bei hohen Umgebungstemperaturen oder unter schmutzigen Bedingungen arbeiten.

³ Häufig ausführen, wenn Sie unter schmutzigen Bedingungen arbeiten.

³ Häufig ausführen, wenn Sie unter schmutzigen Bedingungen arbeiten.

¹ Häufig ausführen, wenn Sie unter schwerer Belastung, bei hohen Umgebungstemperaturen oder unter schmutzigen Bedingungen arbeiten.

³ Häufig ausführen, wenn Sie unter schmutzigen Bedingungen arbeiten.

³ Häufig ausführen, wenn Sie unter schmutzigen Bedingungen arbeiten.

B. Motorschmierung. Siehe *So schmieren Sie den Motor auf Seite 225*.

Traktor

So reinigen Sie das Gerät

Verwenden Sie keinen Gartenschlauch oder Hochdruckreiniger zur Reinigung der Oberfläche. Ausgenommen davon ist der Spülanschluss. Halten Sie Wasser von Motor und Getriebe fern. Wasser im Motor oder Getriebe kann die Lebensdauer des Geräts verringern. Verwenden Sie Druckluft oder ein Laubblasgerät, um Gras, Blätter und Schmutz zu entfernen.

- Beseitigen Sie alles unerwünschte Material aus dem Motor, vom Akku, vom Sitz und von anderen Teilen des Geräts.
- Entfernen Sie Verunreinigungen von der Lenkungsplatte. Verunreinigung begrenzt die Bewegung der Kupplungs-/Bremspedalwelle, wodurch sich die Riemen lösen und die Vorwärtsbewegung verlangsamt wird.



ACHTUNG: Vermeiden Sie alle Quetschkanten und beweglichen Teile.

- Halten Sie die Oberflächen und die Räder frei von Benzin, Öl und dergleichen.
- Verwenden Sie Kfz-Wachs, um Beschädigungen an den Oberflächen zu vermeiden.

So verwenden Sie den Spülanschluss des Schneidwerks

Das Mähdeck verfügt über einen Spülanschluss des Schneidwerks, die Teil des Reinigungssystems für das Mähdeck ist.



WARNUNG: Verwenden Sie das Gerät nicht mit einem beschädigten oder fehlenden Spülanschluss. Es besteht Gefahr durch weggeschleuderte Gegenstände. Tauschen Sie einen beschädigten oder fehlenden Spülanschluss des Schneidwerks sofort aus.

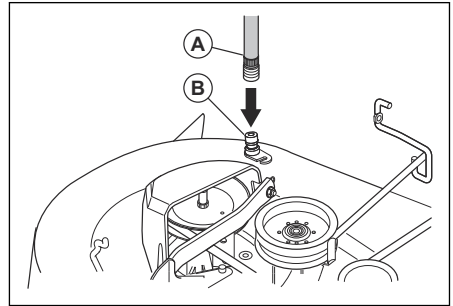
Hinweis: Bei Modellen mit Schutzelementen befindet sich der Spülanschluss auf der linken Schutzelementseite vor dem Hinterrad.

1. Stellen Sie das Gerät in einem leeren Bereich auf Ihrem Rasen ab, der sich in der Nähe einer Wasserquelle mit Gartenschlauch befindet.



ACHTUNG: Richten Sie den Auswurfsammler des Geräts nicht auf Gebäude oder Fahrzeuge.

2. Stellen Sie sicher, dass das Mähdeck deaktiviert ist. Siehe *So aktivieren und deaktivieren Sie das Mähdeck auf Seite 212*.
3. Drehen Sie den Zündschlüssel auf „STOP“, um den Motor auszuschalten.
4. Feststellbremse anziehen.
5. Entfernen Sie den Auswurfsammler oder den Mulcheinsatz, falls vorhanden.
6. Schrauben Sie den Düsenadapter auf das Ende des Gartenschlauchs (A). Stellen Sie sicher, dass der Gartenschlauch vollständig mit dem Düsenadapter verbunden ist.



7. Ziehen Sie den Sicherungsring des Düsenadapters zurück, und drücken Sie den Düsenadapter auf den Spülanschluss des Schneidwerks (B).
8. Ziehen Sie vorsichtig am Gartenschlauch, um sicherzustellen, dass er vollständig angeschlossen ist.
9. Lassen Sie den Sicherungsring los, damit der Adapter am Spülanschluss des Schneidwerks verriegelt ist.
10. Starten Sie die Wasserversorgung.
11. Setzen Sie sich auf den Sitz, und starten Sie den Motor.



ACHTUNG: Kontrollieren Sie den Bereich erneut, um sicherzustellen, dass er frei ist.

12. Bewegen Sie den Gashebel in die Stellung für schnelles Fahren. Siehe *So verwenden Sie den Gashebel auf Seite 212*.
13. Aktivieren Sie das Mähdeck, und lassen Sie es laufen, bis das Mähdeck sauber ist. Siehe *So aktivieren und deaktivieren Sie das Mähdeck auf Seite 212*.
14. Deaktivieren Sie das Mähdeck. Siehe *So aktivieren und deaktivieren Sie das Mähdeck auf Seite 212*.
15. Drehen Sie den Zündschlüssel auf „STOP“, um den Motor auszuschalten.
16. Schalten Sie die Wasserversorgung ab.

17. Ziehen Sie den Sicherungsring des Düsenadapters zurück, und trennen Sie den Düsenadapter vom Spülanschluss des Schneidwerks.
18. Stellen Sie das Gerät in einem trockenen Bereich ab.
19. Aktivieren Sie das Mähdeck, und lassen Sie es laufen, bis das Mähdeck trocken ist.

So stellen Sie den Gashebelzug ein

Der Gashebel wird im Werk eingestellt und weitere Einstellungen sind normalerweise nicht nötig. Falls eine Anpassung erforderlich ist, siehe Motorhandbuch.

So überprüfen Sie Verriegelungen und Relais

Hinweis: Lockere oder beschädigte Kabel können dazu führen, dass das Gerät schlecht läuft, anhält oder sich gar nicht erst starten lässt.

- Überprüfen Sie die Kabel.

So wechseln Sie die Scheinwerferlampe

1. Öffnen Sie die Motorhaube.
2. Drehen Sie die Lampenfassung leicht gegen den Uhrzeigersinn, und ziehen Sie sie aus der Halterung hinter dem Grill.
3. Tauschen Sie die Glühlampe in der Glühlampenfassung aus.
4. Drücken Sie die Glühlampenfassung in die Halterung hinter dem Grill.
5. Drehen Sie die Glühlampenfassung leicht im Uhrzeigersinn, um sie einzubauen.
6. Schließen Sie die Motorabdeckung.

So prüfen Sie die Reifen

Hinweis: Zur Abdichtung von Löchern in Reifen und zur Vermeidung von Platten durch schleichenden Druckverlust können Sie von Ihrem lokalen Teilehändler ein Dichtungsmittel erwerben. Reifendichtmittel verhindern außerdem Trockenfäule und Korrosion.

- Stellen Sie sicher, dass der Luftdruck aller Reifen korrekt ist (siehe die Seiten der Reifen für den bar-Wert).
- Achten Sie darauf, die Reifen frei von Benzin, Öl oder Insektenvernichtungsmitteln zu halten, die das Gummi schädigen können.
- Halten Sie Reifen fern von Baumstämpfen, Steinen, Rinnen und Gruben, scharfen Gegenständen und anderen gefährlichen Objekten, die zu Reifenschäden führen können.

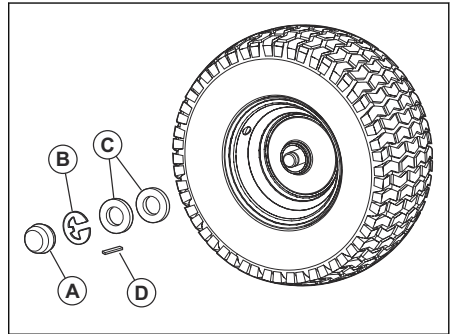
So reparieren Sie die Reifen

1. Heben Sie die Vorderachse an und stützen Sie sie sicher.



ACHTUNG: Heben und stützen Sie jeweils nur eine Achse.

2. Entfernen Sie den Staubschutz (A), den E-Clip (B), die Unterlegscheibe (C) und den Vierkantschlüssel (D).



Hinweis: Es gibt Vierkantschlüssel nur an den Hinterrädern.

3. Entfernen Sie das Rad von der Achse.
4. Entfernen Sie den Reifen vom Rad.
5. Reparieren Sie das Rad.

Hinweis: Verwenden Sie Reifendichtmittel, um die Löcher im Reifen abzudichten. Reifendichtmittel verhindern außerdem Trockenfäule und Korrosion.

6. Montieren Sie den Reifen am Rad.
7. Montieren Sie das Rad, die Unterlegscheibe, den Vierkantschlüssel und den E-Clip an der Achse. Stellen Sie sicher, dass der E-Clip korrekt in der Nut auf der Achse montiert ist.
8. Montieren Sie den Staubschutz.

So überprüfen Sie die Keilriemen

Die Riemen sind nicht einstellbar.

- Untersuchen Sie die Keilriemen alle 100 Betriebsstunden auf Abnutzung und Verschleiß.
- Ersetzen Sie die Keilriemen, wenn diese sich aufgrund von Abnutzung zu bewegen beginnen.

So warten Sie den Transaxle-Kühlerlüfter



ACHTUNG: Reinigen Sie den Lüfter oder das Getriebe nicht bei laufendem Motor bzw. solange das Getriebe heiß ist.



ACHTUNG: Verwenden Sie keinen Hochdruck- oder Dampfreiniger. Wasser kann in Lager und elektrische Anschlüsse gelangen und Korrosion verursachen, die zu Schäden am Gerät führt.

Um das Getriebe ausreichend zu kühlen, halten Sie das Kühlgebläse und die Kühlrippen sauber.

- Vor dem Reinigen mit Wasser reinigen Sie mit einer Bürste. Entfernen Sie Grasschnitt und Schmutz auf und um den Transaxle-Lüfter und die Kühlrippen.
- Überprüfen Sie das Kühlgebläse, um sicherzustellen, dass die Lamellen sauber und unbeschädigt sind.

So untersuchen Sie die Transaxle-Pumpenflüssigkeit

- Stellen Sie sicher, dass die Transaxle-Pumpenflüssigkeit nicht leckt.
- Wenden Sie sich an das nächstgelegene zugelassene Service Center oder die Serviceabteilung, falls die Transaxle-Pumpenflüssigkeit leckt.

So stellen Sie Vorspur und Sturz der Vorderräder ein

Vorspur und Sturz an der Vorderachse werden im Werk korrekt eingestellt. Vorspur und Sturz an der Vorderachse sind nicht verstellbar.

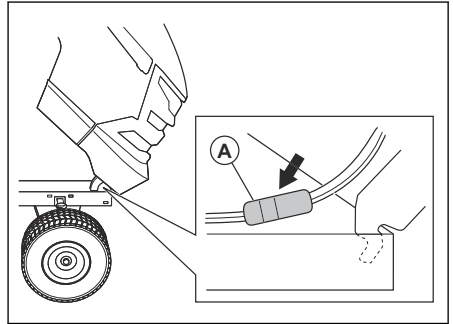
- Wenden Sie sich an ein zugelassenes Service Center, wenn die werkseitige Einstellung der Vorderrad-Vorspur oder des Radsturzes beschädigt ist.

So ersetzen Sie die Sicherung

Dieses Gerät verfügt über eine Kfz-Sicherung mit 20 A. Der Sicherungsträger befindet sich hinter dem Dashboard.

1. Halten Sie den Sicherungshalter fest, und ziehen Sie die durchgebrannte Sicherung heraus.
2. Setzen Sie eine neue Sicherung in den Sicherungshalter ein.

So entfernen und montieren Sie die Baugruppe aus Motorabdeckung und Kühlergrill

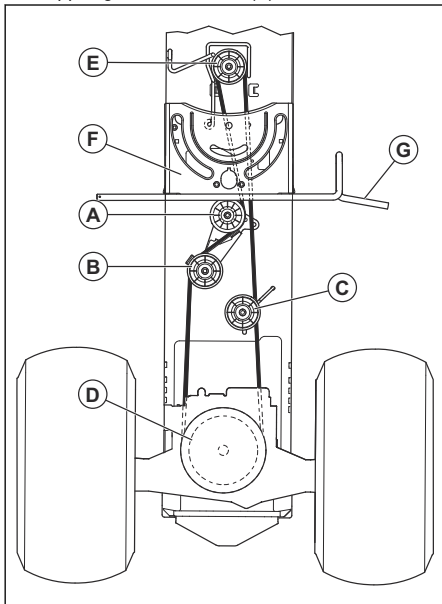


1. Heben Sie die Motorabdeckung an.
2. Trennen Sie den Scheinwerfer-Kabelstecker (A).
3. Bleiben Sie vor dem Traktor stehen. Halten Sie die Motorabdeckung an den Seiten fest. Kippen Sie die Motorabdeckung in Richtung des Motors, und heben Sie sie an, um sie vom Gerät zu entfernen.
4. Die Installation erfolgt in umgekehrter Reihenfolge.

So ersetzen Sie den Treibriemen

1. Parken Sie das Gerät auf einer ebenen Oberfläche und aktivieren Sie die Handbremse. Siehe *So betätigen und lösen Sie die Handbremse auf Seite 211*.
2. Entfernen Sie das Mähdeck. Siehe *So entfernen und montieren Sie das Mähdeck auf Seite 221*.

- Entfernen Sie den Antriebsriemen von der Riemenscheibe (A) und der Kupplungsriemenscheibe (B).



- Entfernen Sie den Antriebsriemen von der Riemenspannungsscheibe (C).
- Ziehen Sie den Antriebsriemen nach hinten, und entfernen Sie ihn von der Getriebeeingangsscheibe (D) und über den Kühlgebläselamellen.
- Entfernen Sie den Antriebsriemen von der Motorriemenscheibe (E) auf der Motorwelle.
- Bewegen Sie den Antriebsriemen nach hinten und über die Lenkungsplatte (F), um den Antriebsriemen vom Gerät zu entfernen.
- Befestigen Sie einen neuen Antriebsriemen in umgekehrter Reihenfolge. Stellen Sie sicher, dass Sie den Antriebsriemen auf der Lenkstützplatte (F) und der Kupplungs-/Bremspedalwelle (G) anbringen.

Akku

Akkupflege

Hinweis: Der Akku im Gerät ist wartungsfrei. Öffnen oder entfernen Sie keine Kappen oder Abdeckungen.

Hinweis: Laden Sie den Akku regelmäßig mit einem Kfz-Ladegerät auf, um seine Lebensdauer zu verlängern.

- Halten Sie den Akku und die Anschlussklemmen sauber.

- Stellen Sie sicher, dass alle Schrauben zur Befestigung des Akkus sowie die Kabel sicher angezogen sind.
- Halten Sie die kleinen Belüftungsöffnungen des Akkus frei.
- Laden Sie den Akku 1 Stunde lang mit 6 bis 10 A.

So reinigen Sie die Batterie und die Klemmen

Korrosion und Schmutz auf Batterie und Klemmen können dazu führen, dass die Batterie Leistung verliert.

- Entfernen Sie den Klemmenschutz.
- Trennen Sie das SCHWARZE Batteriekabel.
- Trennen Sie das ROTE Batteriekabel und nehmen Sie die Batterie aus dem Gerät.
- Besprühen Sie die Batterie mit Wasser und lassen Sie sie trocknen.
- Reinigen Sie die Klemmen und die Batteriekabelenden mit einer Drahtbürste.
- Schmieren Sie die Klemmen mit Fett oder Ähnlichem.
- Setzen Sie die Batterie ein. Siehe *So ersetzen Sie die Batterie auf Seite 220*.

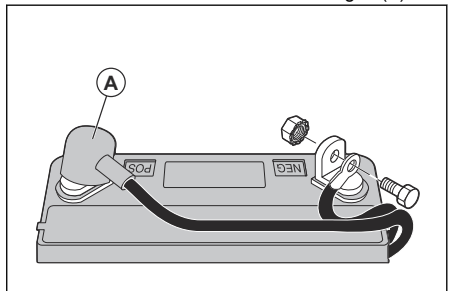
So ersetzen Sie die Batterie

Die Batterie ist unter dem Sitz eingebaut.



WARNUNG: Stromschlag- und Verbrennungsgefahr. Verwenden Sie keine Metallarmbänder oder anderes Metallzubehör. Metallgegenstände, die die Batteriepole berühren, können Verbrennungen, Stromschläge und Kurzschlüsse verursachen.

- Stoppen Sie das Gerät. Siehe *So stoppen Sie das Gerät auf Seite 211*.
- Klappen Sie den Sitz nach vorne.
- Entfernen Sie die Klemmenabdeckungen (A).



- Entfernen Sie die Schraube und die Mutter, um das schwarze Batteriekabel (Minus) vom Minuspol (-) zu trennen.



WARNUNG: Stromschlag- und Verbrennungsgefahr. Das schwarze Batteriekabel (Minus) muss getrennt werden, bevor das rote Batteriekabel (Plus) getrennt wird.

5. Entfernen Sie die Schraube und die Mutter, um das rote Batteriekabel (Plus) vom Pluspol (+) zu trennen.
6. Entfernen Sie die Batterie vorsichtig aus dem Gerät.
7. Bauen Sie eine neue Batterie ein.
8. Schließen Sie das rote Kabel (Plus) an den Pluspol (+) an und ziehen Sie Schraube und Mutter fest.



WARNUNG: Stromschlag- und Verbrennungsgefahr. Das rote Batteriekabel (Plus) muss mit dem Pluspol (+) verbunden werden, bevor das schwarze Batteriekabel (Minus) mit dem Minuspol (-) verbunden wird, um Verletzungen und versehentliche Erdung zu verhindern.

9. Schließen Sie das schwarze Kabel (Minus) an den Minuspol (-) an und ziehen Sie Schraube und die Mutter fest.
10. Setzen Sie die Klemmenabdeckungen auf.
11. Klappen Sie den Sitz nach hinten.

So schließen Sie die Überbrückungskabel an

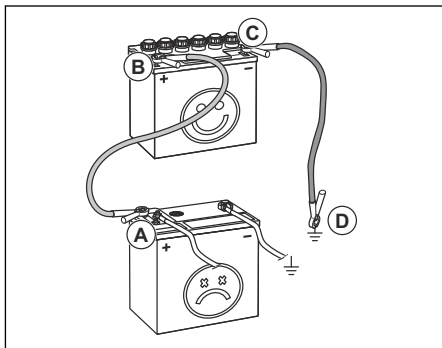


WARNUNG: Es besteht Explosionsgefahr aufgrund explosiver Gase, die von der Batterie ausgehen. Schließen Sie die Minusklemme des geladenen Akkus nicht an die Minusklemme des schwachen Akkus oder in der Nähe davon an.



ACHTUNG: Verwenden Sie die Batterie Ihres Geräts nicht zum Fremdstarten anderer Fahrzeuge.

1. Schließen Sie ein Ende des roten Akkukabels an die POSITIVE (+) Akkuklemme (A) des leeren Akkus an.



2. Schließen Sie das andere Ende des roten Akkukabels an die POSITIVE (+) Akkuklemme (B) des geladenen Akkus an.



WARNUNG: Die Enden des roten Akkukabels dürfen das Chassis nicht berühren. Dadurch würde es zu einem Kurzschluss kommen.

3. Schließen Sie ein Ende des schwarzen Akkukabels an die NEGATIVE (-) Akkuklemme (C) des geladenen Akkus an.
4. Verbinden Sie das andere Ende des schwarzen Akkukabels mit einer KAROSSERIE-MASSE (D), nicht in der Nähe von Kraftstofftank und Akku.

So entfernen Sie die Überbrückungskabel

Hinweis: Entfernen Sie die Überbrückungskabel in umgekehrter Reihenfolge, wie Sie sie angeschlossen haben.

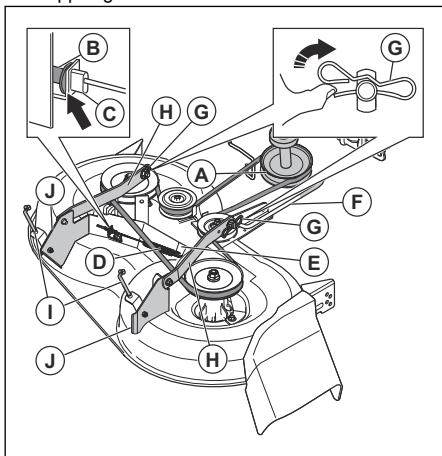
1. Entfernen Sie das SCHWARZE Kabel vom Chassis.
2. Entfernen Sie das SCHWARZE Kabel vom voll aufgeladenen Akku.
3. Entfernen Sie das ROTE Kabel von den 2 Batterien.

Mähdeck

So entfernen und montieren Sie das Mähdeck

Hinweis: Wenn ein anderes Zubehör als das Mähdeck verwendet wird, müssen das vordere Verbindungsglied und die hinteren Hubstangen vom Gerät entfernt werden. Außerdem muss die Kupplungszugfeder in die Kabelführung an der Vorderkante des unteren Dashboards eingesetzt werden.

1. Deaktivieren Sie das Mähdeck. Siehe *So aktivieren und deaktivieren Sie das Mähdeck auf Seite 212*.
2. Stoppen Sie das Gerät. Siehe *So stoppen Sie das Gerät auf Seite 211*.
3. Senken Sie das Mähdeck in die niedrigste Stellung ab.
4. Entfernen Sie den Antriebsriemen von der Kupplungsriemenscheibe.



5. Entfernen Sie das Kupplungskabel (B), drücken Sie die Lasche (C) und ziehen Sie das Kupplungskabel aus der Halterung.
6. Entfernen Sie vorsichtig die Kupplungszugfeder (D) vom Zwischenhebel (E).
7. Trennen Sie das vordere Verbindungsglied (F) vom Mähdeck, und entfernen Sie die Haltefeder und die Unterlegscheibe.
8. Entfernen Sie die Klammern (G), und trennen Sie die Tragarme (H) von den Chassis-Stiften.
9. Trennen Sie die hinteren Hubstangen (I) von den hinteren Mähdeckhalterungen (J) auf beiden Seiten des Mähdecks.
10. Entfernen Sie das Mähdeck vom Gerät.
11. Montieren Sie das Mähdeck in umgekehrter Reihenfolge. Vergewissern Sie sich, dass sich der Seitenauswurf auf der rechten Seite des Geräts befindet.

Hinweis: Die Tragarme müssen sich in der vorderen Stellung befinden, bevor Sie das Mähdeck unter das Gerät bewegen.

So stellen Sie die Fluchtung des Mähdecks ein

So führen Sie eine optische Anpassung der Seiten des Mähdecks durch

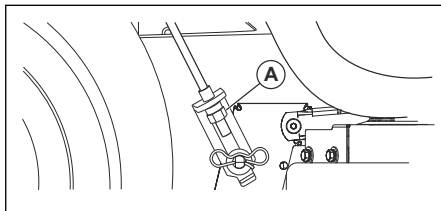
Wenn die Schnitthöhe auf der rechten und linken Seite des Geräts nicht gleich ist, kann die

Schnitthöhe eingestellt werden. Stellen Sie die Schnitthöhe auf der Seite des Mähdecks ein, die die niedrigere Schnitthöhe hat.

1. Stellen Sie sicher, dass der Reifendruck stimmt.
2. Stellen Sie das Gerät auf einer ebenen Fläche ab.
3. Gehen Sie auf die Seite des Mähdecks mit der niedrigeren Schnitthöhe.

Hinweis: Einige Modelle haben nur die Einstellungsmöglichkeit nur auf der linken Seite.

4. Stellen Sie die Schnitthöhe mit einem 3/4-Zoll-Schraubenschlüssel ein.



Hinweis: Jede volle Umdrehung der Hubeinstellmutter ändert die Höhe des Mähdecks um etwa 3/16" (4,7 mm).

- a) Drehen Sie die Hubeinstellmutter (A) nach links, um das Mähdeck abzusenken.
 - b) Drehen Sie die Hubeinstellmutter (A) nach rechts, um das Mähdeck anzuheben.
5. Schneiden Sie etwas Gras, und kontrollieren Sie die Ergebnisse. Bei Bedarf anpassen.

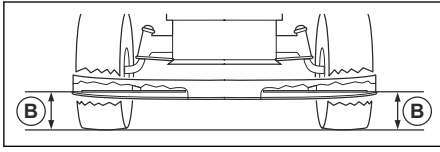
So führen Sie eine präzise Anpassung der Seiten des Mähdecks durch

1. Stellen Sie sicher, dass der Reifendruck stimmt.
2. Stellen Sie das Gerät auf einer ebenen Fläche ab.
3. Bringen Sie das Mähdeck in die Transportstellung. Siehe *So bringen Sie das Mähdeck in die Transport- oder Mähstellung auf Seite 211*.
4. Drehen Sie die äußeren Klingenspitzen so, dass sie auf das Mähdeck von Seite zu Seite gesehen ausgerichtet sind.



WARNUNG: Die Klängen auf dem Mähdeck sind scharf und können Verletzungen verursachen. Tragen Sie stets Schutzhandschuhe.

5. Messen Sie den Abstand (B) von der Unterkante der Klinge zum Boden auf der linken und rechten Seite.

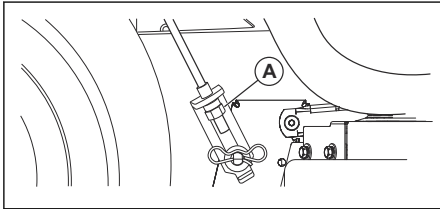


Hinweis: Der Abstand muss auf beiden Seiten gleich sein.

6. Stellen Sie die Schnitthöhe mit einem 3/4-Zoll-Schraubenschlüssel ein.

Hinweis: Jede volle Umdrehung der Hubeinstellmutter ändert die Schnitthöhe um etwa 3/16 Zoll (4,7 mm).

- a) Drehen Sie die Hubeinstellmutter (A) nach links, um das Mähdeck abzusenken.



- b) Drehen Sie die Hubeinstellmutter (A) nach rechts, um das Mähdeck anzuheben.

7. Messen Sie den Abstand erneut. Stellen Sie ihn so ein, dass er auf beiden Seiten gleich ist.
8. Schneiden Sie etwas Gras, und kontrollieren Sie die Ergebnisse. Bei Bedarf anpassen.

So führen Sie eine Längs-Anpassung des Mähdecks durch

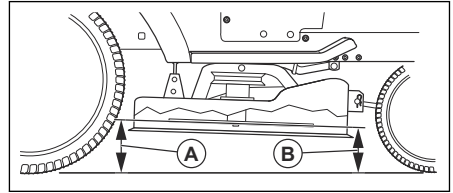
Das Mähdeck muss vor der Längs-Anpassung auf beiden Seiten nivelliert sein. Siehe *So führen Sie eine optische Anpassung der Seiten des Mähdecks durch* auf Seite 222.

1. Stellen Sie sicher, dass der Reifendruck stimmt.
2. Stellen Sie das Gerät auf einer ebenen Fläche ab.
3. Bringen Sie das Mähdeck in die Transportposition. Siehe *So bringen Sie das Mähdeck in die Transport- oder Mähstellung auf Seite 211*.
4. Drehen Sie die Klingen, bis sie gerade nach vorn zeigen.



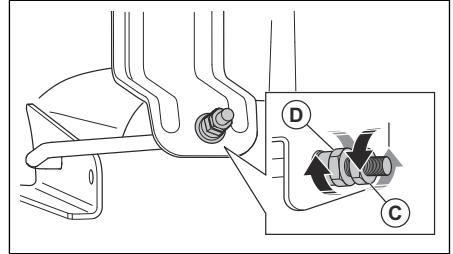
WARNUNG: Die Klingen auf dem Mähdeck sind scharf und können Verletzungen verursachen. Tragen Sie stets Schutzhandschuhe.

5. Messen Sie den Abstand zum Boden am hinteren (A) und vorderen (B) Ende der Klinge.



Hinweis: Für optimale Mähergebnisse sollten die Klingen so eingestellt werden, dass das vordere Ende ca. 1/8–1/2 Zoll (3,1–12,7 mm) niedriger liegt als das hintere Ende, wenn sich das Mähdeck in der höchsten Stellung befindet.

6. Gehen Sie zur Vorderseite des Geräts, um eine Einstellung vorzunehmen.
7. Lösen Sie mit einem 11/16 Zoll-Schraubenschlüssel die Kontermutter (E), um die Hubeinstellmutter (D) freizulegen.



8. Stellen Sie die Höhe des Mähdecks mit einem 3/4-Zoll-Schraubenschlüssel ein.

Hinweis: Jede volle Umdrehung der Hubeinstellmutter ändert die Höhe des Mähdecks um 1/8 Zoll (3,1 mm).

- a) Drehen Sie die Hubeinstellmutter gegen den Uhrzeigersinn, um das Mähdeck abzusenken.
b) Drehen Sie die Hubeinstellmutter im Uhrzeigersinn, um das Mähdeck anzuheben.
9. Messen Sie den vorderen und hinteren Abstand erneut.
10. Justieren Sie nach, bis das vordere Ende der Klinge 1/8–1/2 Zoll (3,1–12,7 mm) niedriger liegt als das hintere.
11. Halten Sie die Hubeinstellmutter mit dem Schraubenschlüssel in Position, und ziehen Sie die Kontermutter fest.

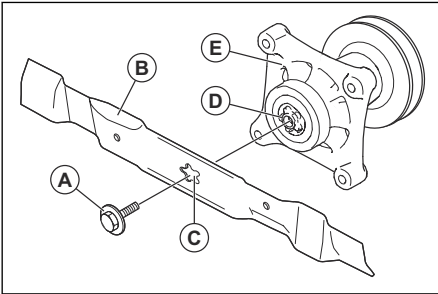
So ersetzen Sie die Klingen

Für beste Ergebnisse müssen Sie die Mähmesser geschärft halten. Ersetzen Sie verbogene oder beschädigte Klingen.



ACHTUNG: Verwenden Sie nur ein vom Hersteller zugelassenes Ersatzmesser. Die Verwendung eines nicht vom Hersteller des Geräts zugelassenen Messers ist gefährlich. Dies kann zu Schäden am Gerät und zum Erlöschen der Garantie führen.

1. Bringen Sie das Mähdeck in die Transportposition. Siehe *So bringen Sie das Mähdeck in die Transport- oder Mähstellung auf Seite 211*.
2. Entfernen Sie die Schraube (A), indem Sie sie gegen den Uhrzeigersinn drehen, und entfernen Sie die Klinge (B).



WARNUNG: Die Klingen auf dem Mähdeck sind scharf und können Verletzungen verursachen. Tragen Sie stets Schutzhandschuhe.

3. Montieren Sie die neue oder geschärfte Klinge und die Schraube.



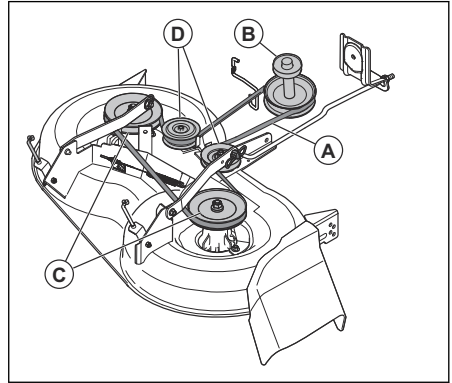
ACHTUNG: Die mittlere Öffnung (C) in der Klinge muss am Stern (D) auf der Dornbaugruppe (E) ausgerichtet sein.

4. Ziehen Sie die Schraube mit 45–55 ft-lbs (62 bis 75 Nm) fest.

So entfernen Sie den Antriebsriemen für das Mähdeck

1. Parken Sie das Gerät auf einer ebenen Oberfläche und aktivieren Sie die Handbremse. Siehe *So betätigen und lösen Sie die Handbremse auf Seite 211*.
2. Entfernen Sie das Mähdeck. Siehe *So entfernen und montieren Sie das Mähdeck auf Seite 221*.
3. Entfernen Sie Schmutz und Gras rund um die Dorne und von der Oberseite des Mähdecks.

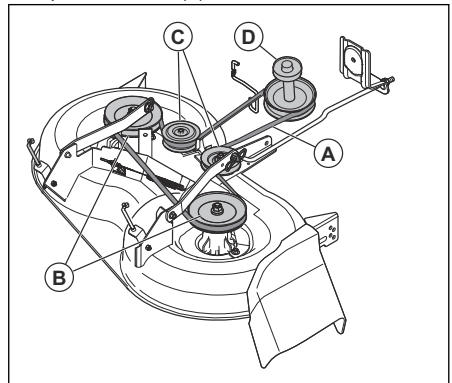
4. Entfernen Sie den Antriebsriemen (A) von der Kupplungsriemenscheibe (B) auf der Motorwelle.



5. Entfernen Sie den Antriebsriemen von den Spindelscheiben (C) und den Riemenscheiben (D).

So montieren Sie den Antriebsriemen für das Mähdeck

1. Legen Sie den Antriebsriemen (A) um die Spindelscheiben (B).



ACHTUNG: Setzen Sie den Antriebsriemen korrekt in alle Nuten der Mähdeck-Riemenscheiben ein. Der Antriebsriemen kann beschädigt werden, wenn er nicht korrekt montiert ist.

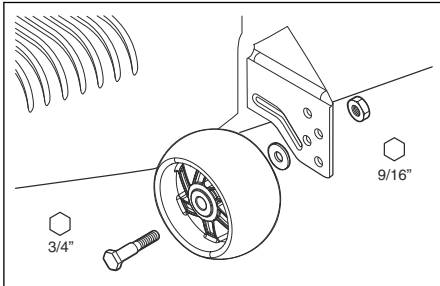
2. Legen Sie den Antriebsriemen um die Riemenscheiben (C).
3. Führen Sie den Antriebsriemen um die Kupplungsriemenscheibe (D) auf der Motorwelle.
4. Installieren Sie das Mähdeck am Gerät. Siehe *So entfernen und montieren Sie das Mähdeck auf Seite 221*.

5. Bringen Sie das Mähdeck in die Transportposition. Siehe *So bringen Sie das Mähdeck in die Transport- oder Mähstellung auf Seite 211*.

So stellen Sie die Schwimmrollen ein

Die Schwimmrollen halten das Mähdeck in der korrekten Position am Boden und verhindern eine Kollision mit dem Boden auf den meisten Untergründen. Die Schwimmrollen sind richtig eingestellt, wenn sie leicht über dem Boden liegen, während sich das Mähdeck in der erforderlichen Schnitthöhe befindet.

1. Parken Sie das Gerät auf einem ebenen Untergrund und stellen Sie den Motor ab.
2. Stellen Sie das Gerät auf die erforderliche Schnitthöhe ein. Siehe *So stellen Sie die Schnitthöhe ein auf Seite 211*.
3. Entfernen Sie die Mutter, die Schraube, die Unterlegscheibe und die Schwimmrolle.

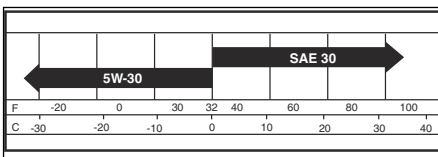


4. Montieren Sie die Schwimmrolle, die Schraube, die Unterlegscheibe und die Mutter in der richtigen Position.
5. Stellen Sie alle Schwimmrollen ein und montieren Sie sie auf dieselbe Weise.

Motor

So schmieren Sie den Motor

Verwenden Sie ausschließlich hochwertiges Motoröl (mit zugesetzten Detergenzien) mit einer API-Klassifikation zwischen SJ und SN. Wählen Sie ein Öl mit einer SAE-Viskositätsklasse, die zur erwarteten Betriebstemperatur passt.



Hinweis: Mehrbereichsöle (5W30, 10W30 und so weiter) tragen dazu bei, dass der Motor bei kalter Witterung schnell startet, führen aber zu erhöhtem Ölverbrauch bei Temperaturen über 32°F/0°C. Führen Sie regelmäßig eine Überprüfung des Motorölstands durch, um einer möglichen

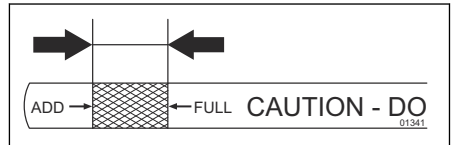
Beschädigung des Motors durch zu niedrigen Ölstand vorzubeugen.

- Wechseln Sie das Öl nach etwa 50 Betriebsstunden. Wenn das Gerät innerhalb eines Jahres keine 50 Stunden genutzt wird, ist der Ölwechsel mindestens einmal pro Jahr fällig.
- Führen Sie eine Prüfung des Ölstands im Kurbelgehäuse vor dem Anlassen des Motors und nach jeweils acht (8) Betriebsstunden durch.
- Verschleißfen Sie danach jedes Mal die Öltankabdeckung mit dem Messstab wieder fest.

So prüfen Sie den Motorölstand

Der Motor des Geräts ist mit Motoröl für Umgebungstemperaturen von über 32° F (0° C) gefüllt. Verwenden Sie für den Betrieb bei Umgebungstemperaturen unter 32° F (0° C) das richtige Motoröl, um das Starten des Geräts zu erleichtern. Siehe *Technische Daten auf Seite 234*.

1. Stellen Sie das Gerät auf ebenem Untergrund ab.
2. Entfernen Sie den Öltankdeckel und Ölmessstab und reinigen Sie ihn mit einem Tuch.
3. Stecken Sie den Messstab in den Öleinfüllstutzen. Drehen Sie den Öltankdeckel nicht wieder auf den Öleinfüllstutzen.
4. Entfernen Sie den Messstab. Verwenden Sie die Skala auf dem Ölmessstab, um den Motorölstand zu prüfen. Füllen Sie bei Bedarf Motoröl nach, bis die Markierung „FULL“ (voll) auf dem Messstab erreicht ist. Füllen Sie nicht zu viel Motoröl ein.



5. Stecken Sie den Messstab in den Öleinfüllstutzen. Stellen Sie sicher, dass der Öltankdeckel vollständig festgezogen ist.

Hinweis: Für den Motorölwechsel, siehe *So wechseln Sie das Motoröl auf Seite 225*.

So wechseln Sie das Motoröl

Wenn der Motor kalt ist, starten Sie den Motor für 1 bis 2 Minuten, bevor Sie das Motoröl ablassen. Dadurch wird das Motoröl erwärmt und kann schneller ablaufen.

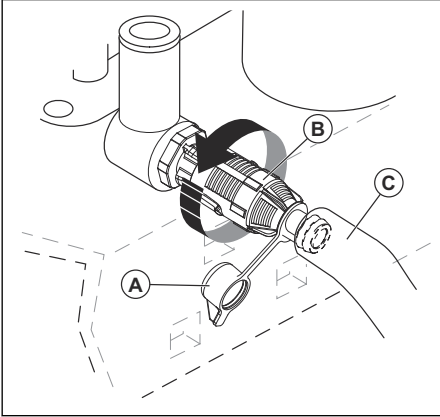


WARNUNG: Betreiben Sie den Motor nicht länger als 1-2 Minuten, bevor Sie das Motoröl ablassen. Das Motoröl wird sehr heiß und kann zu Verbrennungen führen. Lassen Sie den Motor abkühlen, bevor Sie das Motoröl ablassen.



WARNUNG: Tragen Sie stets Schutzhandschuhe. Wenn Sie Motoröl auf Körperteile verschütten, reinigen Sie diese mit Wasser und Seife.

1. Stellen Sie das Gerät auf ebenen Untergrund, und stellen Sie den Motor ab. Siehe *So stoppen Sie das Gerät auf Seite 211*.
2. Entfernen Sie sämtlichen Schmutz um den Öltankdeckel.
3. Entfernen Sie den Öltankdeckel mit Messstab.
4. Entfernen Sie die gelbe Kappe (A) vom Ölablassventil (B).



5. Installieren Sie die Ölablassleitung (C) am Ölablassventil.
6. Stellen Sie einen Behälter unter den Motor, um das Motoröl aufzufangen. Legen Sie das andere Ende der Ölablassleitung in den Behälter.
7. Drücken Sie das Ölablassventil, und drehen Sie es gegen den Uhrzeigersinn, um es zu entsperren.
8. Ziehen Sie das Ablassventil heraus, um es zu öffnen.
9. Lassen Sie das Motoröl in den Behälter laufen.
10. Drücken Sie das Ölablassventil, und drehen Sie es gegen den Uhrzeigersinn, um es zu schließen und zu sperren.
11. Entfernen Sie die Ölablassleitung.
12. Bringen Sie die gelbe Kappe an.
13. Füllen Sie neues Öl im Einfüllrohr ein, und kontrollieren Sie den Motorölstand. Siehe *So prüfen Sie den Motorölstand auf Seite 225*.
14. Montieren Sie den Öltankdeckel mit Messstab.

Hinweis: Für eine sichere Entsorgung von altem Motoröl, lesen Sie *Entsorgung auf Seite 234*.

So tauschen Sie den Motoröfilter aus



WARNUNG: Tragen Sie stets Schutzhandschuhe. Wenn Sie Motoröl auf Körperteile verschütten, reinigen Sie diese mit Wasser und Seife.

1. Lassen Sie das Motoröl aus dem Öltank ab. Siehe *So wechseln Sie das Motoröl auf Seite 225*.
2. Drehen Sie den Motoröfilter zum Entfernen gegen den Uhrzeigersinn.
3. Schmieren Sie die Gummidichtung am neuen Ölfilter mit frischem Motoröl leicht ab.
4. Zum Montieren des neuen Ölfilters drehen Sie ihn im Uhrzeigersinn, bis die Gummidichtung richtig sitzt und drehen Sie dann eine weitere halbe Umdrehung.
5. Befüllen Sie den Öltank mit neuem Motoröl. Siehe *So wechseln Sie das Motoröl auf Seite 225*.
6. Starten Sie den Motor und lassen Sie ihn 3 Minuten im Leerlauf laufen.
7. Schalten Sie den Motor ab, und stellen Sie sicher, dass an am Ölfilter kein Öl austritt.

Hinweis: Wenn Öl austritt, ziehen Sie den Ölfilter wieder fest.

8. Füllen Sie den Öltank mit mehr Motoröl, um das Motoröl zu ersetzen, das der neue Ölfilter aufgenommen hat.

So reinigen Sie den Luftfilter

Bei verschmutztem Luftfilter läuft der Motor nicht ordnungsgemäß. Reinigen Sie den Luftfilter häufiger, wenn es in der Umgebung staubig ist.

So reinigen Sie das Luftgitter

Hinweis: Halten Sie das Luftgitter frei von Schmutz, um eine Beschädigung des Motors durch Überhitzung zu verhindern.

- Reinigen Sie das Gitter mit einer Drahtbürste oder mit Druckluft, um Schmutz zu entfernen.

So warten Sie das Kühlsystem des Motors

Hinweis: Ein verstopftes Grassieb, verschmutzte oder zugesetzte Kühlrippen und/oder ein entferntes Gebläsegehäuse und dergleichen können zu einer Überhitzung des Motors führen und diesen beschädigen.

- Stellen Sie sicher, dass das Grassieb, die Kühlrippen und andere Außenflächen des Motors immer sauber sind.
- Entfernen Sie nach jedem Intervall von 100 Betriebsstunden (häufiger unter extrem

staubigen und schmutzigen Bedingungen) das Gebläsegehäuse und andere Teile des Kühlkreislaufs des Motors. Reinigen Sie die Kühlrippen und Außenflächen nach Bedarf. Stellen Sie sicher, dass die Teile des Motorkühlsystems richtig angebracht sind.

So tauschen Sie die Zündkerzen aus

Typ und Abstand (Abstandseinstellung) der Zündkerzen sind in *Technische Daten auf Seite 234* zu finden.

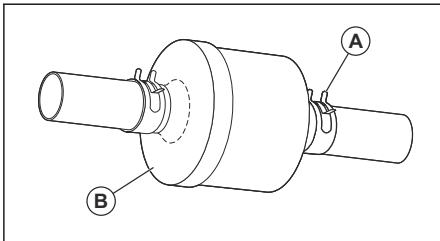
- Tauschen Sie die Zündkerzen zu Beginn jeder Mähperiode oder nach jedem Intervall von 100 Betriebsstunden.

So tauschen Sie den Kraftstoffeinlassfilter aus

Hinweis: Tauschen Sie den Kraftstoffeinlassfilter mindestens einmal pro Jahr.

Tauschen Sie den Kraftstoffeinlassfilter, wenn er verstopft ist und den Fluss des Kraftstoffs zum Vergaser blockiert.

1. Lassen Sie den Motor abkühlen.
2. Entfernen Sie den Kraftstoffeinlassfilter (B) und verschließen Sie die Abschnitte der Kraftstoffleitung mit Stopfen.
3. Setzen Sie den neuen Kraftstoffeinlassfilter so in die Kraftstoffleitung, dass der Pfeil in Richtung des Vergasers deutet.
4. Stellen Sie sicher, dass keine Leckagen in der Kraftstoffleitung vorhanden sind und die Schellen (A) sich in der richtigen Position befinden.
5. Falls Sie etwas verschütten, reinigen Sie das Gerät sofort.



So lassen Sie die Luft aus dem Getriebe ab



ACHTUNG: Aktivieren oder deaktivieren Sie den Freilaufhebel nicht bei laufendem Motor.

Für kontinuierlich gute Leistungen lassen Sie die Luft aus dem Getriebe ab, bevor Sie das Gerät zum ersten Mal benutzen.

Wenn Sie das Getriebe austauschen, lassen Sie die Luft aus dem neuen Getriebe ab, bevor Sie es in Betrieb nehmen.

1. Stellen Sie das Gerät auf einer ebenen, freien und offenen Fläche ab.
2. Schalten Sie den Motor aus und betätigen Sie die Handbremse.
3. Stellen Sie den Freilaufregler in die ausgekuppelte Getriebeposition. Siehe *Transport auf Seite 233*.
4. Starten Sie den Motor. Nachdem der Motor gestartet wurde, bewegen Sie den Gashebel in die Stellung für langsame Fahrt und lösen Sie dann die Feststellbremse.
5. Führen Sie die folgenden Schritte dreimal durch.

Hinweis: Während dieses Verfahrens kann es zu Bewegung der Antriebsräder kommen.

- a) Drücken Sie das Vorwärtspedal ganz in die Vorwärtsposition und halten Sie es fünf Sekunden lang gedrückt, bevor Sie es loslassen.
- b) Drücken Sie das Rückwärtspedal ganz in die Rückwärtsposition und halten Sie es fünf Sekunden lang gedrückt, bevor Sie es loslassen.
6. Schalten Sie den Motor aus und betätigen Sie die Handbremse.
7. Setzen Sie den Freilaufregler in die eingekuppelte Position. Siehe *Transport auf Seite 233*.
8. Setzen Sie sich auf den Sitz, und starten Sie den Motor. Bewegen Sie den Gashebel in die Halbgas-Stellung, nachdem der Motor gestartet wurde.
9. Lösen Sie die Feststellbremse.
10. Bewegen Sie das Gerät ca. 1,5 m nach vorn und dann 1,5 m nach hinten. Führen Sie diesen Vorgang 3 Mal durch.

Fehlersuche

Problem	Ursache	Aktion
Der Motor springt nicht an.	Kein Kraftstoff im Kraftstofftank.	Den Kraftstofftank auffüllen
	Der Gashebel befindet sich nicht in der richtigen Stellung.	Die Startanweisungen beachten.
	Die Zündkerze ist beschädigt.	Die Zündkerze ersetzen.
	Der Luftfilter ist verschmutzt.	Luftfilter reinigen oder ersetzen.
	Der Kraftstofffilter ist verstopft.	Den Kraftstofffilter ersetzen.
	Es befindet sich Wasser im Kraftstoff.	Sämtlichen Kraftstoff aus Kraftstofftank und Vergaser entfernen. Den Kraftstofftank mit frischem Kraftstoff befüllen und den Kraftstofffilter ersetzen.
	Die Drähte sind lose oder beschädigt.	Alle Kabel kontrollieren.
	Die Motorventile sind nicht korrekt eingestellt.	Bitte eine autorisierte Servicewerkstatt kontaktieren.
	Der Motor hat zu viel Kraftstoff bekommen.	2 bis 3 Minuten warten, bevor Sie erneut versuchen, den Motor zu starten.
	Der Kraftstoff im Kraftstofftank ist schlecht.	Den Kraftstoff im Kraftstofftank ersetzen.
Der Anlasser dreht den Motor nicht.	Die Batterie ist zu schwach.	Akku aufladen.
	Der Kupplungshebel für das Anbaugerät ist aktiviert.	Den Kupplungshebel für das Anbaugerät deaktivieren.
	Das Kupplungs-/Bremspedal wird nicht vollständig durchgedrückt.	Das Kupplungs-/Bremspedal beim Anlassen des Motors vollständig durchdrücken.
	Die Verbindung der Kabelsteckverbinder an den Batterieklemmen ist schlecht.	Die Batterieanschlüsse überprüfen.
	Die Hauptsicherung ist beschädigt.	Die Hauptsicherung ersetzen.
	Das Zündschloss ist beschädigt.	Bitte eine autorisierte Servicewerkstatt kontaktieren.
	Der Sicherheitsstecker des Kupplungs-/Bremspedals ist beschädigt.	Bitte eine autorisierte Servicewerkstatt kontaktieren.
	Der Anlasser oder der Magnetschalter ist beschädigt.	Bitte eine autorisierte Servicewerkstatt kontaktieren.
Die Bedienerpräsenzsteuerung (OPC) funktioniert nicht korrekt.	Alle Kabel, Schalter und Anschlüsse kontrollieren. Wenn der Fehler nicht behoben werden konnte, eine autorisierte Servicewerkstatt kontaktieren. Verwenden Sie kein Gerät mit einer nicht ordnungsgemäß funktionierenden Bedienerpräsenzsteuerung.	

Problem	Ursache	Aktion
Der Motor läuft nicht rund.	Die Zündkerze ist beschädigt.	Die Zündkerze ersetzen.
	Der Vergaser ist nicht korrekt eingestellt.	Bitte eine autorisierte Servicewerkstatt kontaktieren.
	Der Luftfilter ist verschmutzt.	Luftfilter reinigen oder ersetzen.
	Das Rückschlagventil am Tankdeckel ist beschädigt.	Den Tankdeckel ersetzen.
	Der Kraftstofftank ist fast leer.	Kraftstofftank mit Kraftstoff auffüllen.
	Es befindet sich Wasser im Kraftstoff.	Sämtlichen Kraftstoff aus Kraftstofftank und Vergaser entfernen. Den Kraftstofftank mit frischem Kraftstoff befüllen und den Kraftstofffilter ersetzen.
	Der Choke ist aktiviert und der Motor ist warm.	Den Choke deaktivieren.
	Das Kraftstoffgemisch oder der Kraftstofftyp stimmt nicht.	Sämtlichen Kraftstoff aus Kraftstofftank und Vergaser entfernen. Den Kraftstofftank mit dem richtigen Kraftstoffgemisch oder Kraftstofftyp befüllen.
	Der Kraftstofffilter ist verstopft.	Den Kraftstofffilter ersetzen.
	Die Zündkerze ist beschädigt.	Die Zündkerze ersetzen.
	Es befindet sich Schmutz im Vergaser oder in der Kraftstoffleitung.	Den Vergaser und die Kraftstoffleitungen reinigen.
Der Motor wird zu heiß.	Der Motor ist überlastet.	Die Arbeitslast reduzieren.
	Der Lufteinlass oder die Kühlrippen am Motor sind blockiert.	Den Lufteinlass und die Kühlrippen am Motor reinigen.
	Der Kühlgebläse ist beschädigt.	Bitte eine autorisierte Servicewerkstatt kontaktieren.
	Der Motorölstand ist zu niedrig.	Den Motorölstand kontrollieren. Bei Bedarf Motoröl nachfüllen.
	Das Zündschloss ist beschädigt.	Bitte eine autorisierte Servicewerkstatt kontaktieren.
	Die Zündkerze ist beschädigt.	Die Zündkerze ersetzen.

Problem	Ursache	Aktion
Es liegt ein Leistungsverlust vor.	Das Gerät wird beim Mähen von Gras mit zu hoher Vorwärts- oder Rückwärtsgeschwindigkeit betrieben.	Mit niedrigerer Geschwindigkeit mähen.
	Der Gashebel befindet sich in der Choke-Stellung.	Den Gashebel in die Stellung für schnelle Fahrt bewegen.
	Unter dem Mähdeck haben sich Blätter, Gras oder unerwünschtes Material angesammelt.	Das Mähdeck reinigen.
	Der Luftfilter ist verschmutzt.	Luftfilter reinigen oder ersetzen.
	Der Motorölstand ist zu niedrig.	Den Motorölstand kontrollieren. Bei Bedarf Motoröl nachfüllen.
	Das Motoröl ist verunreinigt.	Das Motoröl wechseln.
	Die Zündkerze ist beschädigt.	Die Zündkerze ersetzen.
	Der Kraftstofffilter ist verunreinigt.	Den Kraftstofffilter ersetzen.
	Der Kraftstoff im Kraftstofftank ist schlecht.	Den Kraftstoff im Kraftstofftank ersetzen.
	Es befindet sich Wasser im Kraftstoff.	Sämtlichen Kraftstoff aus Kraftstofftank und Vergaser entfernen. Den Kraftstofftank mit frischem Kraftstoff befüllen und den Kraftstofffilter ersetzen.
	Das Zündkerzenkabel sitzt lose.	Das Zündkerzenkabel anschließen und festziehen.
	Der Lufteinlass oder die Kühlrippen am Motor sind blockiert.	Den Lufteinlass und die Kühlrippen am Motor reinigen.
	Der Schalldämpfer ist verstopft oder beschädigt.	Schalldämpfer reinigen oder ersetzen.
	Es sind lose oder beschädigte Kabel vorhanden.	Alle Kabel kontrollieren.
Die Motorventile sind nicht korrekt eingestellt.	Bitte eine autorisierte Servicewerkstatt kontaktieren.	
Es gibt Vibrationen im Gerät.	Die Klingen sind locker.	Die Schrauben an den Klingen festziehen.
	Eine oder mehrere Klingen sind beschädigt oder nicht gewuchtet.	Die Klingen wuchten oder ersetzen.
	Der Motor ist locker.	Die Motorschrauben festziehen.
Der Akku wird nicht aufgeladen.	Die Hauptsicherung ist beschädigt.	Die Hauptsicherung ersetzen.
	Der Akku ist beschädigt.	Die Batterie ersetzen.
	Das Ladekabel ist nicht angeschlossen.	Das Ladekabel anschließen.
	Die Verbindung der Kabelsteckverbinder an den Batterieklemmen ist schlecht.	Die Batterieanschlüsse überprüfen.

Problem	Ursache	Aktion
Der Motor läuft, wenn der Fahrer bei aktiviertem Mähdeck vom Sitz aufsteht.	Die Bedienerpräsenzsteuerung (OPC) funktioniert nicht korrekt.	Alle Kabel, Schalter und Anschlüsse kontrollieren. Wenn der Fehler nicht behoben werden konnte, eine autorisierte Servicewerkstatt kontaktieren. Verwenden Sie kein Gerät mit einer nicht ordnungsgemäß funktionierenden Bedienerpräsenzsteuerung.
Die Klingen drehen sich nicht.	Der Kupplungsmechanismus ist blockiert.	Die Verstopfung beseitigen.
	Der Antriebsriemen für das Mähdeck ist verschlissen oder beschädigt.	Den Treibriemen für das Mähdeck ersetzen.
	Eine Riemenscheibe klemmt.	Die Riemenscheibe ersetzen.
	Ein Klingendorn klemmt.	Den Messerdorn ersetzen.
Beschädigter Grasauswurf.	Die Motordrehzahl ist zu niedrig.	Den Gashebel in die Stellung für schnelle Fahrt bewegen.
	Das Gerät wird mit zu hoher Drehzahl im Vorwärts- oder Rückwärtsgang betrieben.	Mit niedrigerer Geschwindigkeit mähen.
	Das Gras ist feucht.	Das Gras trocknen lassen, bevor Sie es mähen.
	Das Mähdeck ist nicht parallel.	Die Fluchtung des Mähdecks einstellen. Siehe <i>So stellen Sie die Fluchtung des Mähdecks ein auf Seite 222</i> .
	Der Reifendruck stimmt nicht.	Den Reifendruck kontrollieren. Den Reifendruck bei Bedarf einstellen.
	Die Klingen sind abgenutzt, beschädigt oder locker.	Die Klingen ersetzen oder die Schrauben an den Klingen festziehen.
	Ansammlung von Gras oder Schmutz unter dem Mähdeck.	Das Mähdeck reinigen.
	Der Antriebsriemen für das Mähdeck ist verschlissen oder beschädigt.	Den Treibriemen für das Mähdeck ersetzen.
	Die Klingen sind falsch montiert.	Die Klingen mit der scharfen Kante nach unten montieren.
	Falsche Klingen werden verwendet.	Die Klingen durch die richtigen Klingen im Teilehandbuch ersetzen.
Verstopfte Luftlöcher des Mähdecks durch Grasauflagerungen und Schmutz um die Dorne herum.	Den Bereich um die Dorne reinigen, damit die Luftlöcher wieder frei liegen.	

Problem	Ursache	Aktion
Der Scheinwerfer funktioniert nicht.	Der Scheinwerfer befindet sich in der Stellung „OFF“ (Aus).	Den Scheinwerferschalter in die Stellung „ON“ (Ein) stellen.
	Die Glühlampe ist beschädigt.	Die Glühlampe ersetzen.
	Der Netzschalter für den Scheinwerfer ist beschädigt.	Den Netzschalter für den Scheinwerfer ersetzen.
	Das Kabel zum Scheinwerfer ist nicht angeschlossen.	Kabel und Anschlüsse kontrollieren.
	Es liegt ein Kurzschluss im Scheinwerferkabel vor.	Bitte eine autorisierte Servicewerkstatt kontaktieren.
Das Gerät bewegt sich langsam, mit unregelmäßiger Geschwindigkeit oder gar nicht.	Das Gerät befindet sich im Freilaufmodus.	Den Freilaufreglerhebel herausziehen. Siehe <i>So bringen Sie das Gerät in den Freilaufmodus auf Seite 213.</i>
	Die Handbremse ist angezogen.	Lösen Sie die Feststellbremse.
	Der Antriebsriemen ist locker oder beschädigt.	Den Antriebsriemen ersetzen.
	Es befindet sich Luft im Getriebe.	Lassen Sie die Luft aus dem Getriebe ab. Siehe <i>So lassen Sie die Luft aus dem Getriebe ab auf Seite 227.</i>
	Es befinden sich unerwünschte Materialien auf der Lenkplatte (wenn die Lenkplatte montiert ist).	Das Gerät reinigen.
	Der Vierkantschlüssel auf der Achse fehlt.	Den Vierkantschlüssel installieren. Siehe <i>So reparieren Sie die Reifen auf Seite 218.</i>
Das Schneidergebnis ist nicht zufriedenstellend.	Die Klingen sind stumpf oder beschädigt.	Die Klingen schärfen oder ersetzen.
	Das Mähdeck ist nicht parallel.	Die Fluchtung des Mähdecks einstellen. Siehe <i>So stellen Sie die Fluchtung des Mähdecks ein auf Seite 222.</i>
	Das Gras ist feucht.	Das Gras trocknen lassen, bevor Sie es mähen.
	Das Gras ist zu lang.	Mit einer hohen Schnitthöhe beginnen und diese allmählich verringern.
	Der Reifendruck stimmt nicht.	Den Reifendruck kontrollieren. Den Reifendruck bei Bedarf einstellen.
	Das Gerät wird mit zu hoher Drehzahl im Vorwärts- oder Rückwärtsgang betrieben.	Mit niedrigerer Geschwindigkeit mähen.
	Der Antriebsriemen für das Mähdeck ist verschlissen oder beschädigt.	Den Treibriemen für das Mähdeck ersetzen.
Wenn der Motor eine Fehlzündung hat, wird er gestoppt.	Der Gashebel befindet sich nicht in der Stellung für langsame Fahrt.	Siehe <i>So stoppen Sie das Gerät auf Seite 211.</i>

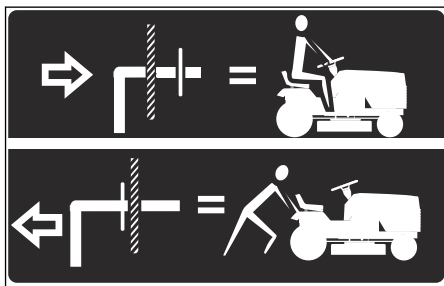
Problem	Ursache	Aktion
Der Motor stoppt, wenn Sie versuchen, rückwärts zu fahren.	Das Rückwärtsfahrssystem (ROS) ist nicht aktiviert.	Das Rückwärtsfahrssystem (ROS) aktivieren. Siehe <i>So bedienen Sie das Rückwärtsfahrssystem (ROS) auf Seite 213</i> .

Transport, Lagerung und Entsorgung

Transport

Hinweis: Schließen und befestigen Sie während des Transports die Haube am Gerät, um Beschädigungen zu vermeiden. Bringen Sie die Haube mit den richtigen Werkzeugen (Seil, Kabel und so weiter) am Gerät an.

Wenn Sie das Gerät bewegen, stellen Sie den Freilaufregler in die Freilaufposition, um das Getriebe auszukuppeln. Der Freilaufregler befindet sich auf der rückwärtigen Zugstange des Geräts.



1. Ziehen Sie das Anbaugerät mit der zugehörigen Hubregelung in die höchste Position.
2. Ziehen Sie den Freilaufregler heraus und bis in die Kerbe, sodass er in ausgelöster Position bleibt.
3. Bewegen Sie das Gerät höchstens mit 3,2 km/h.
4. Zum erneuten Einrücken des Getriebes gehen Sie in umgekehrter Reihenfolge vor.

Sicherheit beim Abschleppen

- Verwenden Sie nur Zubehör zum Abschleppen, das von Husqvarna empfohlen wurde.
- Verwenden Sie die Zugschiene, um das Abschleppzubehör anzubringen.
- Schleppen Sie kein Zubehör ab, das schwerer ist als das maximal zulässige Gesamtgewicht.
- Stellen Sie sicher, dass sich keine andere Person in der Nähe des Geräts befindet, wenn Sie Zubehör ziehen.
- Vermeiden Sie das Abschleppen von Zubehör an Hängen oder auf unebenem Boden.
- Betreiben Sie das Gerät beim Abschleppen mit niedriger Geschwindigkeit, wenn Sie Zubehör abschleppen.

Lagerung

Bereiten Sie das Gerät zur Lagerung am Saisonende vor und wenn es länger als 30 Tage nicht verwendet wird. Wenn Kraftstoff 30 Tage oder länger im Kraftstofftank verbleibt, können klebrige Partikel zu Verstopfungen im Vergaser führen. Dies hat negative Auswirkungen auf die Funktion des Motors.

Zur Vermeidung von klebrigen Partikeln während der Lagerung, fügen Sie einen Stabilisator hinzu. Wenn Alkylatbenzin verwendet wird, ist kein Stabilisator erforderlich. Wenn Sie Standardbenzin verwenden, wechseln Sie nicht zu Alkylatbenzin. Dadurch können sich empfindliche Gummiteile verhärteln. Geben Sie den Stabilisator zum Kraftstoff in den Tank oder in den Behälter für die Lagerung. Befolgen Sie immer die Mischungsverhältnis-Vorgaben des Herstellers. Lassen Sie den Motor mindestens 10 Minuten laufen, nachdem Sie den Stabilisator zugegeben haben bis er in den Vergaser strömt.



WARNUNG: Lagern Sie das Gerät nicht mit Kraftstoff im Tank in Innenräumen oder Räumen mit unzureichender Belüftung. Sonst können Benzindämpfe in Kontakt mit offenem Feuer, Funken oder einem Kontrolllämpchen (z. B. Boiler, Warmwasserspeicher und Wäschetrockner) kommen und Feuer auslösen.



WARNUNG: Entfernen Sie Gras, Blätter und andere brennbare Materialien vom Gerät, um die Brandgefahr zu reduzieren. Lassen Sie das Gerät abkühlen, bevor Sie es einlagern.

- Reinigen Sie das Gerät, siehe *So reinigen Sie das Gerät auf Seite 217*. Beheben Sie Lackschäden, um Rost zu vermeiden.
- Untersuchen Sie das Gerät auf abgenutzte oder beschädigte Teile und ziehen Sie lose Schrauben und Muttern an.
- Entfernen Sie die Batterie. Reinigen Sie das Gerät, laden Sie es und lagern Sie es kühl.
- Wechseln Sie das Motoröl, und entsorgen Sie das Altöl.
- Leeren Sie den Kraftstofftank. Starten Sie den Motor und lassen Sie ihn laufen, bis kein Kraftstoff mehr im Vergaser ist.
- Entfernen Sie die Zündkerzen, und füllen Sie einen Esslöffel Motoröl in jeden Zylinder. Drehen Sie die Motorwelle von Hand, um das Öl aufzubringen, und setzen Sie die Zündkerzen wieder ein.
- Schmieren Sie alle Schmiernippel, Gelenke/Verbindungen und Achsen.
- Bewahren Sie das Gerät an einem sauberen, trockenen Ort auf und decken Sie es für zusätzlichen Schutz ab.
- Eine Abdeckung zum Schutz Ihres Geräts während Lagerung oder Transport ist bei Ihrem Händler erhältlich.

Hinweis: Leeren Sie Tank und Vergaser nicht, wenn ein Stabilisator hinzugefügt wurde.

Entsorgung

- Chemikalien können gefährlich sein und dürfen nicht auf dem Boden entsorgt werden. Entsorgen Sie immer alle verwendeten Chemikalien in einem Service Center oder in einer geeigneten Beseitigungsanlage.
- Wenn das Gerät abgenutzt ist, können Sie es zum Händler oder zu einer geeigneten Recyclingstelle schicken.
- Öl, Ölfilter, Kraftstoff und Akku können negative Auswirkungen auf die Umwelt haben. Befolgen Sie die örtlichen Recyclinganforderungen und geltenden Vorschriften.
- Entsorgen Sie den Akku nicht über den Hausmüll.
- Schicken Sie den Akku an eine Husqvarna-Servicewerkstatt oder entsorgen Sie ihn in einer Beseitigungsanlage für Altbatterien.

Technische Daten

	TS 142T
Motor	
Motormarke	LCC
Motormodell	LC2P80
Nennleistung des Motors, PS/kW ²¹	19,4/14,5
Höchstzahl des Motors, U/min	2600 ± 100
Motorleerlaufzahl, U/min	1750 ± 100
Höchstgeschwindigkeit vorwärts, mph/km/h	4,16/6,7
Höchstgeschwindigkeit rückwärts, mph/km/h	2,2/3,5
Kraftstoff, minimale Oktanzahl, bleifrei, max. 10 % Ethanol und max. 15 % MTBE, AKI/RON	87/91
Kraftstofftankinhalt, Gallonen/Liter	1,5/5,68
Öltyp über 32° F/0° C (API: SJ-SN):	SAE 30

²¹ Die vom Motorenhersteller angegebene Nennleistung entspricht der durchschnittlichen Bruttoleistung bei einer bestimmten Drehzahl eines typischen Produktionsmotors für dieses Motormodell. Die Messung erfolgte entsprechend der SAE-Norm für die Motor-Bruttoleistung. Schauen Sie die Motorspezifikationen des Motorenherstellers an.

	TS 142T
Öltyp unter 32° F/0° C (API: S,J-SN):	SAE 5W30
Ölmenge mit Ölfilter, oz./l	80/2,37
Ölmenge ohne Ölfilter, oz./l	72/2,13
Schmiersystem	Druck mit Ölfilter
Kühlsystem	Luftgekühlt
Luftfilter	Zweifach
Lichtmaschine, V. A. bei 3.600 U/min	12 V, 15 A bei 3.600 U/min
Anlasser	Elektrischer Anlasser, 12 V
Gewicht	
Gewicht, mit leeren Tanks, lb/kg	465/211
Mähdeck	
Anzahl der Klingen	2
Klingenlänge, Zoll/cm	21/53,34
Schnittbreite, Zoll/mm	42/107
Schnitthöhe, Zoll/mm	1,0-4,0/2,5-10,2
Reifen	
Reifendruck, hinten – vorn, PSI/kPa/bar	15/103/1
Schwenkräder vorn, Zoll	15 x 6-6
Hinterräder, Grasreifen, Zoll	20 x 8-8
Bremsen	Mechanische Handbremse
Elektrisches System	
Typ	12 V
Akku	28 A
Zündkerze	Champion RN9YC
Elektrodenabstand, Zoll/mm	0,030/0,76
Anzugsmoment Zündkerze, lb-ft/Nm	14,75/20
Geräuschemissionen ²²	
Schalleistungspegel, gemessen dB(A)	100
Schalleistungspegel, garantiert L _{WA} dB (A)	100
Schallpegel ²³	

²² Umweltbelastende Geräuschemissionen, gemessen als Schalleistung (L_{WA}) gemäß EG-Richtlinie 2000/14/EG. Der aufgezeichnete Schalleistungspegel für das Gerät wurde unter Verwendung der originalen Schneidausrüstung, die den höchsten Pegel ergibt, gemessen. Der Unterschied zwischen garantiertem und gemessenem Schalleistungspegel besteht darin, dass beim garantierten Schalleistungspegel auch eine Streuung im Messergebnis und Variationen zwischen verschiedenen Geräten desselben Modells gemäß der Richtlinie 2000/14/EG berücksichtigt werden.

²³ Berichten zufolge liegt der Schalldruckpegel für dieses Gerät normalerweise bei einer Ausbreitungs-kategorie (Standardabweichung) von 1 dB (A).

	TS 142T
Schalldruckpegel am Ohr des Bedieners, dB (A)	80
Vibrationspegel ²⁴	
Vibrationspegel am Lenkrad, m/s ²	4,25
Vibrationspegel am Sitz, m/s ²	0,92

Service

Service

Führen Sie eine jährliche Überprüfung bei einem autorisierten Service Center durch, um sicherzustellen, dass das Gerät sicher betrieben werden kann und in der Hochsaison in optimalem Zustand ist. Der beste Zeitpunkt für eine Wartung oder Überholung des Geräts ist die Nebensaison.

Geben Sie bei der Ersatzteilbestellung das Anschaffungsjahr sowie Modell, Typ und Seriennummer an.

Verwenden Sie stets Originalersatzteile.

²⁴ Berichten zufolge liegt der äquivalente Vibrationspegel normalerweise bei einer Ausbreitungsklasse (Standardabweichung) von 1 m/s².

Konformitätserklärung

EU-Konformitätserklärung

Wir, Husqvarna AB, SE 561 82 Huskvarna,
SCHWEDEN, erklären in alleiniger Verantwortung,
dass das beschriebene Gerät:

Beschreibung	Mit Verbrennungsmotor betriebener Aufsitzrasenmäher, Bediener sitzend
Marke	Husqvarna
Plattform/Typ/Modell	TS 142T
Charge	Seriennummer ab 2021

die folgenden EU-Vorschriften und -Richtlinien
erfüllt:

Richtlinie/Vorschrift	Beschreibung
2006/42/EG	„über Maschinen“
2011/65/EU	„Beschränkung der Verwendung bestimmter gefährlicher Stoffe“
2014/30/EU	„über elektromagnetische Verträglichkeit“
2000/14/EG, 2005/88/EG	„über umweltbelastende Geräuschemissionen“

Harmonisierte Normen und/oder technische
Spezifikationen gelten wie folgt: EN ISO
12100:2010, EN ISO 14982:2009, EN ISO
5395-1:2013/A1:2018, EN ISO 5395-3:2013/
A1:2017/A2:2018, EN ISO 3744:2010, EN ISO
11094:1991, EN 1032:2009, EN IEC 63000:2018,
EN IEC 63000:2018.

Gemäß Richtlinie 2000/14/EC, Anhang VI liegen die
erklärten Geräuschpegelwerte bei:

Gemessener Schalleistungspegel: 99 dB(A).

Garantierter Schalleistungspegel: 100 dB(A).

Der gelieferte mit Verbrennungsmotor betriebene
Aufsitzrasenmäher, Bediener sitzend entspricht dem
Geräteexemplar, das die Prüfung durchlaufen hat.

Im Auftrag von Husqvarna AB, SE 561 82
Huskvarna, SCHWEDEN, 2021-06-07.

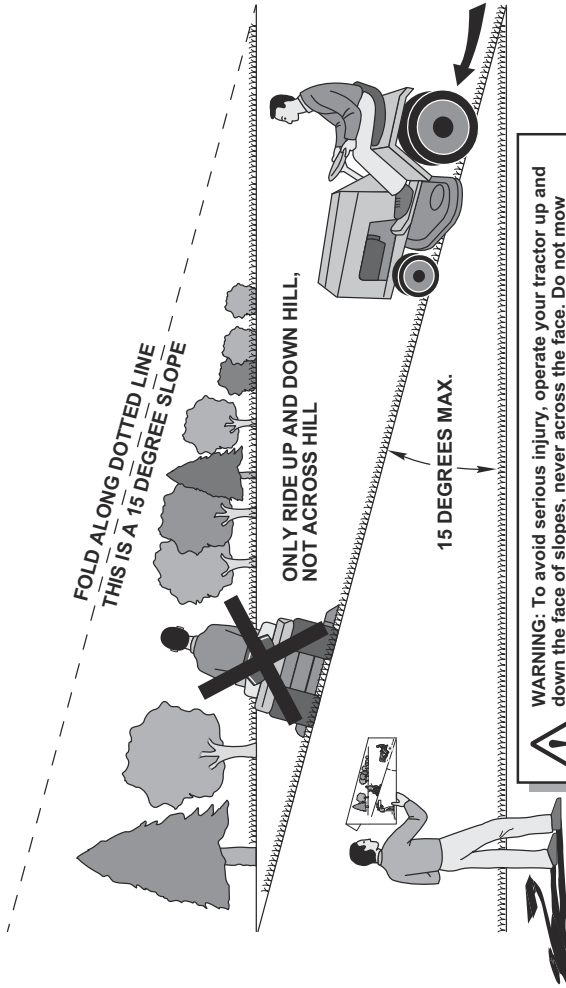


Claes Losdal

Verantwortlich für die technische Dokumentation.



SUGGESTED GUIDE FOR SIGHTING SLOPES FOR SAFE OPERATION



1. Fold this page along dotted line indicated above.
2. Hold page before you so that its left edge is vertically parallel to a tree trunk or other upright structure.
3. Sight across the fold in the direction of hill slope you want to measure.
4. Compare the angle of the fold with the slope of the hill.



Points de collecte sur www.quefairedemesdechets.fr
Privilégiez la réparation ou le don de votre appareil !

Husqvarna®

www.husqvarna.com

Original instructions
Instructions d'origine
Originele instructies

Istruzioni originali
Instrucciones originales
Originalanweisungen

1143406-20 Rev. 2



2023-07-14