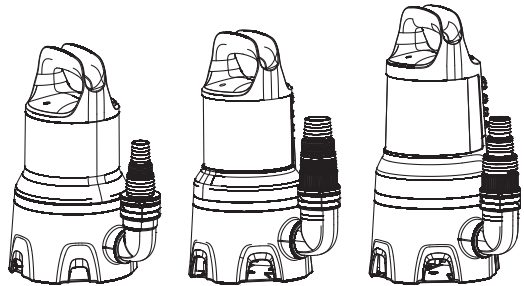


9000CLEAR
11000CLEAR

Art. 9030
Art. 9032

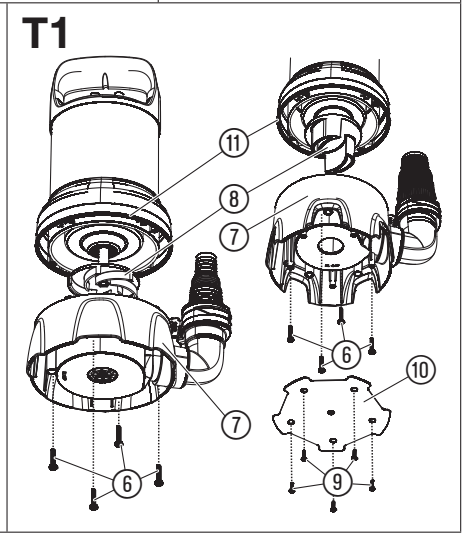
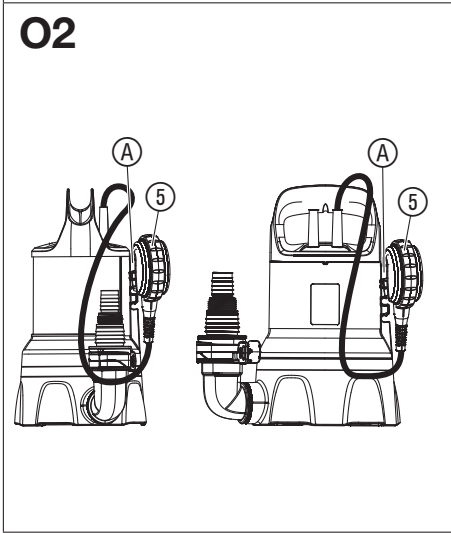
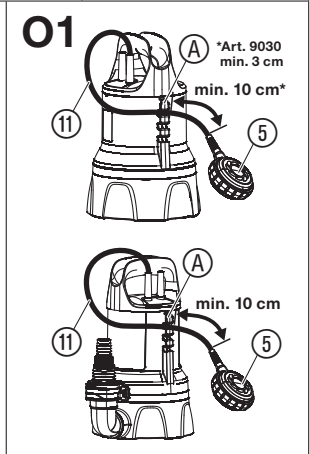
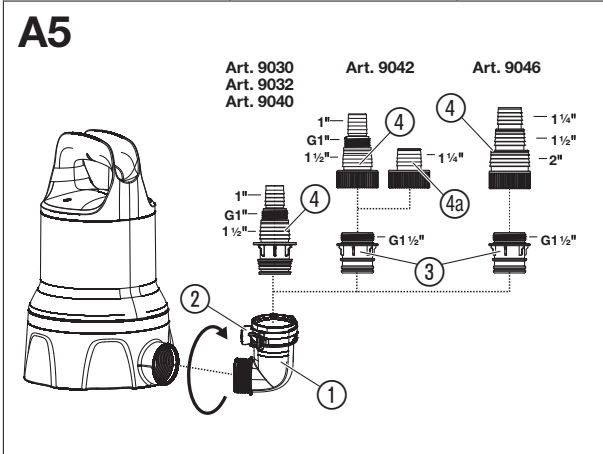
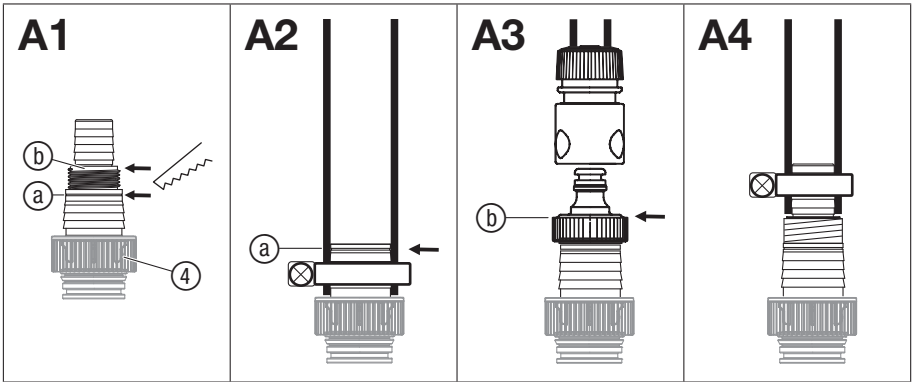


9000DIRT
16000DIRT
25000DIRT

Art. 9040
Art. 9042
Art. 9046

EN **Operator's Manual**

Clear Water Submersible Pump/
Dirty Water Submersible Pump



GARDENA Clear Water Submersible Pump 9000CLEAR Art. 9030 / 11000CLEAR Art. 9032 / Dirty Water Submersible Pump 9000DIRT Art. 9040 / 16000DIRT Art. 9042 / 25000DIRT Art. 9046

1. SAFETY	11
2. ASSEMBLY	13
3. OPERATION	13
4. MAINTENANCE	14
5. STORAGE	14
6. TROUBLESHOOTING	15
7. TECHNICAL DATA	15
8. ACCESSORIES	16
9. SERVICE/WARRANTY	16

Translation of the original instructions.



This product may be used under supervision, or if instruction regarding the safe use of the product has been provided and the resulting dangers have been understood, by children aged 8 and above, as well as by persons with physical, sensory or mental disabilities or a lack of experience and knowledge. Children must not be allowed to play with the product. Cleaning and user maintenance must not be performed by children without supervision. The use of this product by young people under the age of 16 is not recommended.

Intended use:

The **GARDENA Submersible Pump** is intended for drainage purposes if flooding occurs but also for transferring

water to and from tanks and pumping them out, for drawing water from wells and shafts, for draining boats and yachts and for aerating and circulating water for limited periods and for pumping water containing chlorine and detergents in private domestic gardens and allotments.

Liquids to be pumped:

The GARDENA Submersible Pump must only be used to pump water.

The pump is fully submersible (water-tight encapsulation) and is submerged in water (for max. submersion depth see 7. TECHNICAL DATA).

The product is suitable for pumping the following liquids:

- **Clear Water Submersible Pump:** clean to slightly dirty water with a max. particle size of 5 mm.
- **Dirty Water Submersible Pump:** dirty water with a max. particle size of:

Dirty Water Submersible Pump	Max. particle size
9000DIRT	25 mm
16000DIRT	35 mm
25000DIRT	38 mm

The product is not intended for long term use (continuous circulation operation).



DANGER! Risk of injury!

The pump should not be used for the delivery of salt water, corrosive, easily inflammable or explosive liquids (e.g. petrol, paraffin, thinners), oil, heating oil or foodstuffs.

1. SAFETY

IMPORTANT!

Read the operator's manual carefully before use and keep for future reference.

Symbols on the product:



Read operator's manual.

General safety warnings

Electrical safety



DANGER! Electric shock!
Risk of injury due to electric shock.

- The product must be supplied through a residual current device (RCD) having a rated residual operating current not exceeding 30 mA.
- Contact GARDENA Service if the Residual Current Device (RCD) has triggered.



DANGER! Risk of physical injury!
Risk of injury due to electric current.

→ **Disconnect the product from the mains before you maintain or replace parts. Thereby the disconnected socket must be in the visual range.**

Safe operating practices

The water temperature should not exceed 35 °C.

The pump must not be used when people are in the water.

Pollution of the liquid could occur due to leakage of lubricants.

Keep bystanders away from the water.

Operate the pump only with the elbow connector.

The hose end should be lower than the maximum delivery head.

Circuit breakers

Thermal protection switch:

In the event of an overload, the pump is switched off by the built-in thermal motor protection. After sufficient cooling of the motor, the pump is operational again.

Automatic venting:

This pump is equipped with a vent valve which eliminates any air pockets in the pump. Depending on the function, a small amount of water can escape from the side of the housing.

Additional safety warnings

Electrical safety



DANGER! Cardiac arrest!

This product makes an electromagnetic field while it operates. This field may under some conditions interfere with active or passive medical implants. To decrease the risk of conditions that can possibly injure or kill, we recommend persons with medical implants to speak with their physician and the medical implant manufacturer before you operate the product.

Cables

If extension cables are used, these must comply with the minimum cross-sections in the table below:

Voltage	Cable length	Cross section
230 – 240 V/50 Hz	Up to 20 m	1.5 mm ²
230 – 240 V/50 Hz	20 – 50 m	2.5 mm ²



DANGER! Electric shock!

With a cut off mains plug, moisture can get into electrical parts via the mains cable and cause a short circuit.

→ **Never cut the mains plug off (e. g. to feed through wall).**

→ Don't use the power cable for plugging off.

→ If the supply cord is damaged, it must be replaced by the manufacturer, its service agent or similarly qualified persons in order to avoid a hazard.

Mains plug and extension connections must be protected from water splashes.

Ensure that the electrical connections for plugs and sockets are made in areas safe from flooding.

Protect the mains plug and the mains power cable from heat, oil and sharp edges.

Observe the mains voltage. The information on the nameplate must be in agreement with the data for the mains power grid.

The pump's mains plug must be disconnected before anybody enters the swimming pool or touching the surface of the water.

The mains power cable must not be used for fastening or transporting the pump.

For submerging or lifting/securing the pump, please use a fastening rope.

Please regularly check the connecting line.

Before using, always subject the pump (especially the power cables and the power connections) to a visual inspection.

A pump which is damaged should not be used. In the event of damage, have the pump checked by GARDENA Service.

Assembly instructions: Retighten all screws by hand.

Before use after maintenance, make sure that all parts are screwed together.

When using our pumps with a generator, the warnings of the generator manufacturer must be observed.

Personal safety



DANGER! Risk of suffocation!

Small parts can be easily swallowed. There is also a risk that the polybag can suffocate toddlers. Keep toddlers away when you assemble the product.

Observe the minimum water level in accordance with the characteristics given for the pump.

Allow the pump to run no longer than 10 minutes against a closed pressure side.

Sand and other abrasive substances cause increased wear and reduce the pump's output.

The float switch may only be operated outside the water.

The hose must not be disconnected during operation.

Allow the pump to cool down before troubleshooting.

2. ASSEMBLY



DANGER! Risk of injury!

Injury when the product starts accidentally.

→ Disconnect the product from the mains before you assemble the product.

Connection possibilities of the connection nipple

[Fig. A1]:

The hose can be connected via the connection nipple ④ with different hose diameters or the GARDENA Connection System.

Large hose diameter	Detach nipple at ④ [Fig. A2]		
GARDENA Connection System/ Art. 9046: Medium hose diameter	Detach nipple at ⑤ [Fig. A3]		
Small hose diameter	Do not detach nipple [Fig. A4]		

When using the largest hose diameter, the pump has the maximum delivery capacity.

Pump	Art. 9030 Art. 9032 Art. 9040	Art. 9042	Art. 9046
Small hose diameter	25 mm (1")	25 mm (1")	32 mm (1 1/4")
Art. GARDENA Hose Clamp	Art. 7193	Art. 7193	Art. 7194
Medium hose diameter	GARDENA Connection System G 1"	GARDENA Connection System G 1"	38 mm (1 1/2")
Art. GARDENA Hose Clamp		32 mm (1 1/4")* Art. 7194	Art. 7195
Large hose diameter	38 mm (1 1/2")	38 mm (1 1/2")	51 mm (2")
Art. GARDENA Hose Clamp	Art. 7195	Art. 7195	Art. 7196

When using the 38 mm (1 1/2") hose, we recommend the **GARDENA Flat Hose Set Art. 5005** with 10 m hose and hose clamp.

* For Art. 9042 an additional connection nipple ④ for 1 1/4" hoses is supplied.

To connect the hose via the connection nipple:

- When using the large diameter hose, cut off the connection nipple ④ at ③.

- Only for Art. 9046: When using the medium hose diameter, cut off the connection nipple ④ at ⑤.
- Push the hose onto the connection nipple ④.
- Fix the hose to the connection nipple ④ e.g. with a GARDENA Hose Clamp.

Connect hose via the GARDENA Connection System:

With **25000DIRT** (Art. 9046) the hose cannot be connected via the connection nipple ④ with the GARDENA Connection System.

19 mm (3/4")/15 mm (5/8") and 13 mm (1/2") hoses can be connected via the GARDENA Connection System.

We do not recommend hose diameters smaller than 25 mm (1"), otherwise there will be a significant reduction in the output of the delivery rate.

Hose diameter	Pump connection	
13 mm (1/2")	GARDENA Pump Connection Set	Art. 1750
15 mm (5/8")	GARDENA Pump Connection Set	Art. 1750
19 mm (3/4")	GARDENA Pump Connection Set	Art. 1752

- Cut off the connection nipple ④ at ⑤.
- Connect the hose to the connection nipple ④ via the appropriate GARDENA Connection System.

To assemble the pump connection [Fig. A5]:



DANGER! Risk of injury!

Cut injury by the impeller.

→ Operate the pump only with the elbow connector.

The hose can be easily connected and disconnected using the locking devices ② on the elbow connector ①.

- Screw the elbow connector ① clockwise into the pump until it stops. (If the hose is to be installed horizontally, the elbow connector ① can be screwed out again up to half a turn.)
- Only for Art. 9042/9046: Screw the connection piece ③ into the connection nipple ④.
- Push the connection nipple ④ of the hose into the elbow connector ① until it stops and it engages audibly and visibly.
The hose is securely connected to the pump.

3. OPERATION



DANGER! Risk of injury!

Injury when the product starts accidentally.

→ Disconnect the product from the mains before you connect, adjust or transport the product.

To pump water:

If the pump cannot be immersed via the handle, the pump must always be immersed via a rope. Attach the rope by pulling it through the eyelets provided and knotting it. Minimum immersion depth during initial operation see 7. TECHNICAL DATA.

Take care that the pump is located where the inlet openings at the suction base are not obstructed neither completely nor partly.

Stand the pump on a brick if using in a pond.

If the suction process is close to the minimum water level at start-up, the suction process may take longer.

1. Immerse the pump.
2. Connect the pump to the mains.
Attention! The pump can start immediately depending on the float switch setting.

Automatic mode with float switch [Fig. O1]:

By adjusting the float switch ⑤ you have the possibility to determine the switching heights. For safe operation, the float switch must be able to move freely around the pump.

To adjust the Cut-in and Cut-out Height [Fig. O1]:

The maximum cut-in height and minimum cut-out height (see 7. TECHNICAL DATA) can be adjusted by pushing the float switch wire into the float switch lock.

- The higher the cable is clamped, the higher the cut-in and cut-out height.
- The shorter the length of cable between the float switch ⑤ and the float switch lock ④, the lower the cut-in height and the higher the cut-out height.

1. Push the cable of the float switch ⑤ into one of the openings of the float switch lock ④.
2. Check that the pump switches off automatically.



CAUTION!

→ **In order to ensure that the float switch is able to switch on and off, the cable length between the float switch and the float switch lock must be at least 10 cm.**

Manual operation [Fig. O2]:

The pump remains permanently in operation because the float switch is bypassed.

1. Slide the float switch ⑤ with the cable downwards onto the float switch locking device ④.
2. Place the pump on a firm surface.
3. Connect the pump to the mains.

Attention! The pump begins operating immediately.

The pump runs permanently without dry-running protection due to the bypassed float switch. To avoid damage due to dry running, only operate under supervision.

The minimum residual water depth (see 7. TECHNICAL DATA) is only achieved in manual mode because the float switch already switches off the pump before this when in automatic mode.

4. MAINTENANCE



DANGER! Risk of injury!

Injury when the product starts accidentally.

→ **Disconnect the product from the mains before you maintain the product.**

To clean the pump:



DANGER! Risk of injury!

Risk of injury and risk of damage to the product.

- **Do not clean the product with a water jet (in particular high-pressure water jet).**
- **Do not clean with chemicals including petrol or solvents. Some can destroy critical plastic parts.**

→ Clean the surface of the pump with a damp cloth.

To flush the pump:

After pumping water containing chlorine, detergents or heavily soiled water, the pump must be flushed.

1. Pump lukewarm water (max. 35 °C), possibly adding a mild cleaning agent (e.g. detergent) until the pumped water runs clear.
2. Remove residuals according to the waste disposal laws applicable in your area.

5. STORAGE

To put into storage:

The pump is not frost-proof!

The product must be stored away from children.

1. Disconnect the pump from the mains.
2. Turn the pump upside down until no more water runs out.
3. Clean the pump (see 4. MAINTENANCE).
4. Store the pump in a dry, enclosed and frost-free place.

Disposal:

(in accordance with RL2012/19/EC)



The product must not be disposed of to normal household waste. It must be disposed of in line with local environmental regulations.

IMPORTANT!

→ Dispose of the product through or via your municipal recycling collection centre.

6. TROUBLESHOOTING



DANGER! Risk of injury!

Injury when the product starts accidentally.

→ **Disconnect the product from the mains before you troubleshoot the product.**

To clean the suction base and the impeller [Fig. T1]:

1. Only for Art. 9046; Unscrew the 5 Phillips screws ⑨ and remove the cover ⑩.
2. Unscrew the 4 Phillips screws ⑥.

3. Pull the suction base ⑦ off the pump.
4. Clean suction base ⑦ and impeller ⑧ (the warranty does not become void as a result of this maintenance work).
5. Clean the seal ⑪ carefully to avoid damage and leakage.
6. Reassemble the suction base ⑦ in reverse order.

A damaged seal must be replaced.

For safety reasons a damaged impeller can only be exchanged by the GARDENA Service Centre.

Problem	Possible Cause	Remedy
Pump is running, but doesn't deliver water	Air cannot escape, because the pressure line is closed. (Possible kink in the pressure hose.)	→ Open the pressure line (e.g. shut-off valve, delivery units).
	Air in suction foot.	→ Wait for about 60 seconds until the pump has vented; if necessary, turn off and then on again.
	Suction opening is clogged.	→ Clean the suction opening with a water jet.
	Hose is clogged.	→ Remove the clog from the hose.
	Impeller is blocked.	→ Clean the impeller.
	Water level below minimum water level when put into operation.	→ Submerge the pump deeper.
Pump does not start or stops suddenly during operation	Thermal switch has turned the pump off because of overheating.	→ Clean the suction opening. Observe the max. media temperature (35 °C).
	Pumping without electricity.	→ Check fuses and electrical plug connections.
	RCD has triggered (residual current).	→ Disconnect the pump and contact the GARDENA Service.
Pump is running but the delivery drops suddenly	Suction opening is clogged.	→ Clean the suction opening with a water jet.
	Hose is clogged.	→ Remove the clog from the hose.



NOTE: For any other malfunctions please contact the GARDENA service department.

Repairs must only be done by GARDENA service departments or specialist dealers approved by GARDENA.

7. TECHNICAL DATA

Submersible Pump	Unit	Value (Art. 9030)	Value (Art. 9032)	Value (Art. 9040)	Value (Art. 9042)	Value (Art. 9046)
Rated power	W	300	450	300	450	1100
Mains voltage	V (AC)	230	230	230	230	230
Mains frequency	Hz	50	50	50	50	50
Max. delivery capacity	l/h	9000	11 000	9000	16000	25000
Max. pressure/ Max. delivery head	bar/ m	0.6/ 6.0	0.7/ 7.0	0.6/ 6.0	0.7/ 7.0	1.1/ 11.0
Max. submersion depth	m	7	7	7	7	7

Submersible Pump	Unit	Value (Art. 9030)	Value (Art. 9032)	Value (Art. 9040)	Value (Art. 9042)	Value (Art. 9046)
Min./max. cut-in height	mm	250 / 390	230 / 400	230 / 400	260 / 420	300 / 600
Min./max. cut-out height	mm	45 / 90	50 / 90	50 / 90	50 / 90	120 / 200
Residual water level	mm	2	2	25	35	38
Dirty water with max. particle diameter	mm	5	5	25	35	38
Minimum water depth for operation (approx.)	mm	10	10	30	45	45
Power cable	m	10 (H05RN-F)	10 (H05RN-F)	10 (H05RN-F)	10 (H05RN-F)	10 (H07RN-F)
Weight without cable (approx.)	kg	4.1	4.6	4.2	4.7	7.1
Connection thread water outlet	Inch	G 1 1/4"	G 1 1/4"	G 1 1/2"	G 1 1/2"	G 1 1/2"
Connection options	Inch	1" / 1 1/2" / G 1"	1" / 1 1/2" / G 1"	1" / 1 1/2" / G 1"	1" / 1 1/4" / 1 1/2" / G 1"	1 1/4" / 1 1/2" / 2"
Max. media temperature	°C	35	35	35	35	35

Note: The switch on/switch-off heights and the minimum water level on start-up were calculated without the height differences to be negotiated. Pump heads of approx. 1 m or more may result in longer suction times of up to 1 minute, or higher minimum water levels of up to +5 cm.

8. ACCESSORIES

GARDENA Flat Hose Set	10 m 38 mm (1 1/2") hose with hose clamp.	Art. 5005
GARDENA Hose Clamp	For 25 mm (1") hoses via the connection nipple.	Art. 7193
GARDENA Hose Clamp	For 32 mm (1 1/4") hoses via the connection nipple.	Art. 7194
GARDENA Hose Clamp	For 38 mm (1 1/2") hoses via the connection nipple.	Art. 7195
GARDENA Hose Clamp	For 51 mm (2") hoses via the connection nipple.	Art. 7196
GARDENA Pump Connection Set	For 19 mm (3/4") hoses via the GARDENA Connection System.	Art. 1752

9. SERVICE/WARRANTY

Service:

Please contact the address on the back page.

Warranty statement:

In the event of a warranty claim, no charge is levied to you for the services provided.

GARDENA Manufacturing GmbH grants a warranty for all original GARDENA new products for two years from the date of original purchase from the retailer, provided that the devices have been for private use only. This manufacturer's warranty does not apply to products acquired second hand. This warranty includes all significant defects of the product that can be proved to be material or manufacturing faults. This warranty is fulfilled by supplying a fully functional replacement product or by repairing the faulty product sent to us free of charge; we reserve the right to choose between these options. This service is subject to the following provisions:

- The product has been used for its intended purpose as per the recommendations in the operating instructions.
- Neither the purchaser nor a third party has attempted to open or repair the product.
- Only Original GARDENA replacement parts and wear parts have been used for operation.

- Presentation of the receipt.

Normal wear and tear of parts and components (such as blades, blade fixing parts, turbines, light bulbs, V-belts/toothed belts, impellers, air filters, spark plugs), visual changes, wear parts and consumables are excluded from the warranty.

This manufacturer's warranty is limited to replacement and repair of products in accordance with the abovementioned conditions. The manufacturer's warranty does not constitute an entitlement to lodge other claims against us as a manufacturer, such as for damages. This manufacturer's warranty does **not**, of course, affect statutory and contractual warranty claims against the dealer/retailer.

The manufacturer's warranty is governed by the law of the Federal Republic of Germany.

In case of a warranty claim, please return the faulty product, together with a copy of the receipt and a description of the fault, with postage paid to the service address.

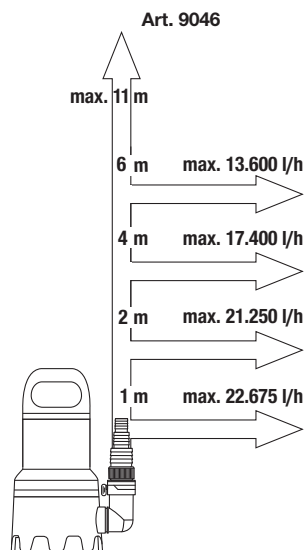
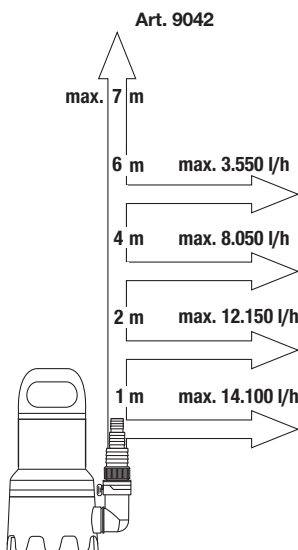
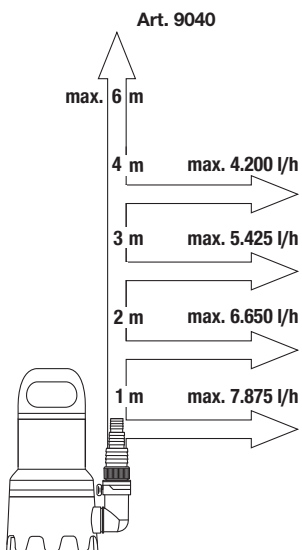
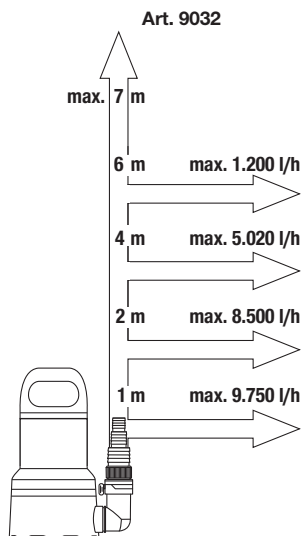
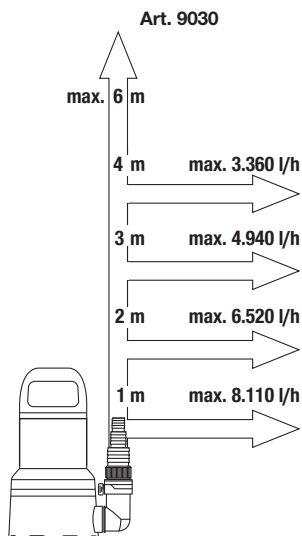
Consumables:

The impeller is a consumable and is not included in the warranty.

Pumpen-Kennlinien
 Performance characteristics
 Courbes de performance
 Prestatiegrafiek
 Kapacitetskurva
 Ydelses karakteristika
 Pumpun ominaiskäyrä
 Pumpekarakteristikk
 Curva di rendimento
 Curva característica de la bomba

Características de performance
 Charakterystyka pompy
 Szivattyú-jelleggörbe
 Charakteristika čerpadla
 Charakteristiku čerpadla
 Χαρακτηριστικό διάγραμμα
 Характеристика насоса
 Karakteristika črpalka
 Obilježja pumpe
 Karakteristika pumpe

Крива характеристики насоса
 Caracteristică pompă
 Pompa karakter eğrisi
 Pompena karakteristika
 Fuqja e pompës
 Pumba karakteristik
 Siurblio charakteristinė kreivė
 Sūkņa raksturliķne



DE Produkthaftung

Wir weisen ausdrücklich darauf hin, dass wir in Übereinstimmung mit dem Produkthaftungsgesetz nicht für Schäden haften, die durch unsere Produkte entstehen, wenn diese unsachgemäß und nicht durch einen von uns autorisierten Servicepartner repariert wurden oder wenn keine Original GARDENA Teile oder von uns zugelassene Teile verwendet wurden.

EN Product liability

In accordance with the German Product Liability Act, we hereby expressly declare that we accept no liability for damage incurred from our products where said products have not been properly repaired by a GARDENA-approved service partner or where original GARDENA parts or parts authorised by GARDENA were not used.

FR Responsabilité

Conformément à la loi relative à la responsabilité du fait des produits défectueux, nous déclarons expressément par la présente que nous déclinons toute responsabilité pour les dommages résultant de nos produits, si lesdits produits n'ont pas été correctement réparés par un partenaire d'entretien agréé GARDENA ou si des pièces d'origine GARDENA ou des pièces agréées GARDENA n'ont pas été utilisées.

NL Productaansprakelijkheid

Conform de Duitse wet inzake productaansprakelijkheid verklaren wij hierbij uitdrukkelijk dat wij geen aansprakelijkheid aanvaarden voor schade ontstaan uit onze producten waarbij deze producten niet zijn gerepareerd door een GARDENA-erkende servicepartner of waarbij geen originele GARDENA-onderdelen of onderdelen die door GARDENA zijn goedgekeurd zijn gebruikt.

SV Produktsvar

I enlighet med tyska produktansvarslagar förklarar vi härmed uttryckligen att vi inte åtar oss något ansvar för skador som orsakas av våra produkter där produkterna inte har genomgått korrekt reparation från en GARDENA-godkänd servicepartner eller där originaldelar från GARDENA eller delar godkända av GARDENA inte använts.

DA Produktsvar

I overensstemmelse med den tyske produktansvarslov erklærer vi hermed udtrykkeligt, at vi ikke påtager os noget ansvar for skader på vores produkter, hvis de pågældende produkter ikke er blevet repareret korrekt af en GARDENA-godkendt servicepartner, eller hvor der ikke er brugt originale GARDENA-reservedele eller godkendte reservedele fra GARDENA.

FI Tuotevastuu

Saksan tuotevastuulain mukaisesti emme ole vastuussa laitteiden vaurioista, jos korjauksia ei ole tehnyt GARDENAn hyväksymä huoltoliike tai jos niiden syyinä on muiden kuin alkuperäisten GARDENA-varaosien tai GARDENAn hyväksymien varaosien käyttö.

IT Responsabilità del prodotto

In conformità con la Legge tedesca sulla responsabilità del prodotto, con la presente dichiariamo espressamente che decliniamo qualsiasi responsabilità per danni causati dai nostri prodotti qualora non siano stati correttamente riparati presso un partner di assistenza approvato GARDENA o laddove non siano stati utilizzati ricambi originali o autorizzati GARDENA.

ES Responsabilidad sobre el producto

De acuerdo con la Ley de responsabilidad sobre productos alemana, por la presente declaramos expresamente que no aceptamos ningún tipo de responsabilidad por los daños ocasionados por nuestros productos si dichos productos no han sido reparados por un socio de mantenimiento aprobado por GARDENA o si no se han utilizado piezas originales GARDENA o piezas autorizadas por GARDENA.

PT Responsabilidade pelo produto

De acordo com a lei alemã de responsabilidade pelo produto, declaramos que não nos responsabilizamos por danos causados pelos nossos produtos, caso os tais produtos não tenham sido devidamente reparados por um parceiro de assistência GARDENA aprovado ou se não tiverem sido utilizadas peças GARDENA originais ou peças autorizadas pela GARDENA.

PL Odpowiedzialność za produkt

Zgodnie z niemiecką ustawą o odpowiedzialności za produkt, niniejszym wyraźnie oświadczamy, że nie ponosimy żadnej odpowiedzialności za szkody poniesione na skutek użytkowania naszych produktów, w przypadku gdy naprawa tych produktów nie była odpowiednio przeprowadzana przez zatwierdzonego przez firmę GARDENA partnera serwisowego lub nie stosowano oryginalnych części GARDENA albo części autoryzowanych przez tę firmę.

HU Termékszavatosság

A németországi termékszavatossági törvénnyel összhangban ezzel nyomatékosan kijelentjük, hogy nem vállalunk felelősséget a termékeinkben keletkezett olyan károkért, amelyek valamely GARDENA által jóváhagyott szervizpartner által nem megfelelően végzett javításból adódtak, vagy amely során nem eredeti GARDENA alkatrészeket vagy a GARDENA által jóváhagyott alkatrészeket használtak fel.

CS Odpovědnost za výrobek

V souladu s německým zákonem o odpovědnosti za výrobek tímto výslovně prohlašujeme, že nepřijímáme žádnou odpovědnost za poškození vzniklá na našich výrobcích, kdy zmíněné výrobky nebyly řádně opraveny schváleným servisním partnerem GARDENA nebo kdy nebyly použity originální náhradní díly GARDENA nebo náhradní díly autorizované společností GARDENA.

SK Zodpovednosť za produkt

V súlade s nemeckými právnymi predpismi upravujúcimi zodpovednosť za výrobok týmto výslovne prehlasujeme, že nenesieme žiadnu zodpovednosť za škody spôsobené našimi výrobkami, v prípade ktorých neboli náležité opravy vykonané servisným partnerom schváleným spoločnosťou GARDENA alebo neboli použité diely spoločnosti GARDENA alebo diely schválené spoločnosťou GARDENA.

EL Ευθύνη προϊόντος

Σύμφωνα με τον γερμανικό νόμο περί Ευθύνης για τα Προϊόντα, με το παρόν δηλώνουμε ρητώς ότι δεν αποδεχόμαστε καμία ευθύνη για τυχόν ζημιές που προκύπτουν από τα προϊόντα μας εάν αυτά δεν έχουν επισκευαστεί σωστά από κάποιον εγκεκριμένο συνεργάτη επισκευών της GARDENA ή εάν δεν έχουν χρησιμοποιηθεί αυθεντικά εξαρτήματα GARDENA ή εξαρτήματα εγκεκριμένα από την GARDENA.

SL Odgovornost proizvajalca

V skladu z nemškimi zakoni o odgovornosti za izdelke, izrecno izjavljajo, da ne sprejemamo nobene odgovornosti za škodo, ki jo povzročijo naši izdelki, če teh niso ustrezno popravili GARDENINI odobreni servisni partnerji ali pri tem niso bili uporabljeni originalni GARDENINI nadomestni deli ali GARDENINIMI homologiranimi nadomestnimi deli.

HR Pouzdanost proizvoda

Sukladno njemačkom zakonu o pouzdanosti proizvoda, ovime izričito izjavljujemo kako ne prihvaćamo nikakvu odgovornost za oštećenja na našim proizvodima nastala uslijed neispravnog popravka od strane servisnog partnera kojeg odobrava GARDENA ili uslijed nekorištenja originalnih GARDENA dijelova ili dijelova koje odobrava GARDENA.

RO Răspunderea pentru produs

În conformitate cu Legea germană privind răspunderea pentru produs, declarăm în mod expres prin prezentul document că nu acceptăm nicio răspundere pentru defecțiunile suferite de produsele noastre atunci când acestea nu au fost reparate în mod corect de un atelier de service partener, aprobat de GARDENA, sau când nu au fost utilizate piese GARDENA originale sau piese autorizate de GARDENA.

BG Отговорност за вреди, причинени от стоки

Съгласно германския Закон за отговорността за вреди, причинени от стоки, с настоящото изрично декларираме, че не носим отговорност за щети, причинени от нашите продукти, ако те не са били правилно ремонтирани от одобрен от GARDENA сервиз или ако не са използвани оригинални части на GARDENA или части, одобрени от GARDENA.

ET Tootevastutus

Vastavalt Saksamaa tootevastutusseadusele deklareerime kaesolevaga selgesõnaliselt, et me ei kannu mingisugust vastutust meie toodetest tingitud kahjude eest, kui need tooted ei ole korrektselt parandatud GARDENA heakskiidetud hoolduspartneri poolt või kui parandamisel ei ole kasutatud GARDENA originaalosi või GARDENA volitatud osi.



LT Gaminio patikimumas

Mes aiškiai pareiškiamo, kad, atsižvelgiant į Vokietijos gaminių patikimumo įstatymą, neprisiimame atsakomybės dėl bet kokios žalos, patirtos dėl mūsų gaminių, jeigu jie buvo netinkamai taisomi arba jų dalys buvo pakeistos neoriginaliomis GARDENA dalimis ar nepatvirtintomis dalimis, arba jeigu remonto darbai buvo atliekami ne GARDENA techninės priežiūros centro specialistų.

LV Atbildība par produkcijas kvalitāti

Saskaņā ar Vācijas likumu par atbildību par produkcijas kvalitāti ar šo mēs paziņojam, ka neuzņemamies atbildību par bojājumiem, kas radušies, lietojot mūsu izstrādājumus, kuru remontu nav veicis uzņēmuma GARDENA apstiprināts apkopes partneris vai kuru remontam netika izmantotas oriģinālās GARDENA detaļas vai detaļas, kuru lietošanu apstiprinājis uzņēmums GARDENA.

<p>DE EU-Konformitätserklärung</p> <p>Der Unterzeichnende bestätigt als Bevollmächtigter des Herstellers, der GARDENA Germany AB, PO Box 7454, S-103 92, Stockholm, Schweden, dass das (die) nachfolgend bezeichnete(n) Geräte(e) in der von uns in Verkehr gebrachten Ausführung die Anforderungen der harmonisierten EU-Richtlinien, EU-Sicherheitsstandards und produktspezifischen Standards erfüllt/erfüllen. Bei einer nicht mit uns abgestimmten Änderung des (der) Geräte(s) verliert diese Erklärung ihre Gültigkeit.</p>	<p>HU EU megfelelőségi nyilatkozat</p> <p>Az alulírott, a GARDENA Germany AB, Pf. 7454, S-103 92, Stockholm, Svédország megbízott minőségében megerősíti, hogy az átalunk aláírt kiviteltel forgalomba hozott, lent nevezett eszköz(ök) megfelel(nek) az unions irányelvekkel összehangba hozott nemzeti előírások követelményeinek, az EU biztonsági szabványainak és a konkrét termékre vonatkozó szabványoknak. Az eszköz(ök)nek velünk nem egyeztetett módosítása esetén ez a nyilatkozat érvényét veszti.</p>
<p>EN EC Declaration of Conformity</p> <p>The undersigned hereby certifies as the authorized representative of the manufacturer, GARDENA Germany AB, PO Box 7454, S-103 92, Stockholm, Sweden, that, when leaving our factory, the unit(s) indicated below is/are in accordance with the harmonised EU guidelines, EU standards of safety and product specific standards. This certificate becomes void if the unit(s) is/are modified without our approval.</p>	<p>CS EU prohlášení o shodě</p> <p>Podepsaná osoba způsobilá výrobem GARDENA Germany AB, PO Box 7454, S-103 92, Stockholm, Švédsko potvrzuje, že v následujícím uvedený(-é) přístroj(-e) v provedení námi uvedeném na trh spĺňajú/splňujú požadavky smerníc EU, bezpečnostních norem EU a norem specifických pro výrobek. V prípade změny přístroje(-ú), která s námi nebyla dohodnuta, ztrácí toto prohlášení svou platnost.</p>
<p>FR Déclaration de conformité CE</p> <p>Le soussigné déclare, en tant que mandataire du fabricant, la GARDENA Germany AB, PO Box 7454, S-103 92, Stockholm, Suède, qu'à la sortie de ses usines le matériel nel désigné ci-dessous étaiit conforme aux prescriptions des directives européennes énoncées ci-après et conforme aux règles de sécurité et autres règles qui lui sont applicables dans le cadre de l'Union européenne. Toute modification portée sur ce(s) produit(s) sans l'accord express de notre part supprime la validité de ce certificat.</p>	<p>SK EU vyhlásenie o zhode</p> <p>Dotu podpísaný potvrdzuje, ako splnomocnený zástupca výrobcu, GARDENA Germany AB, PO Box 7454, S-103 92, Stockholm, Švédsko, že ďalej označené zariadenia/a vo vyhlásení uvedenom na trh spĺňajú/ú požadavky harmonizačných smerníc EU, bezpečnostných štandardov EU a predpisov, špecifických pre dané výrobky. Pri zmene zariadenia/zariadení, ktorá nebola odsúhlasená našou spoločnosťou, stráca toto vyhlásenie platnosť.</p>
<p>NL EU-conformiteitsverklaring</p> <p>De ondergetekende bevestigt als gevolmachtigde van de fabrikant, GARDENA Germany AB, PO Box 7454, S-103 92, Stockholm, Zwen, dat het/ de onderstaand vermelde apparaat/apparaten in de door ons in de handel gebrachte uitvoering voldoet/voldoen aan de eisen van de geharmoniseerde EU-richtlijnen, EU-veiligheidsnormen en productspecifieke normen. Bij een niet met ons afgestemde verandering van het apparaat/de apparaten verliest deze verklaring haar geldigheid.</p>	<p>EL Δήλωση συμμόρφωσης ΕΕ</p> <p>Ο υπογεγραμμένος βεβαιώνει ως πληρεξούσος του κατασκευαστή, της εταιρείας GARDENA Germany AB, T.G. 7454, S-103 92, Στοκχόλμη, Σουηδία, ότι η (οι) παρακάτω αναφερόμενη(ες) συσκευή(ές) που τίθεται(ται) από εμάς σε κυκλοφορία πληροί/πληρούν(τι) τις απαιτήσεις των ευρωπαϊκών οδηγιών της ΕΕ, πρωτότυπων ασφαλείας της ΕΕ και των ειδικών για το προϊόν πρωτότυπων. Σε περίπτωση τροποποίησης της (των) συσκευή(ών) χωρίς προηγούμενη συνημμένη με την εταιρεία μας παύει να ισχύει η δήλωση.</p>
<p>SV EU-försäkran om överensstämmelse</p> <p>Undertecknad intygar som befulldäktad förtecknare för tillverkaren, GARDENA Germany AB, PO Box 7454, S-103 92, Stockholm, Sverige, att nedan angiven apparat/nedan angivna apparater i det utförande vi har släppt på marknaden, uppfyller fördringarna i de harmoniserade EU-direktiv, EU-säkerhetsstandarderna och de produktspecifika standarderna. Denna försäkran upphör att gälla vid en ändring av apparaten/apparaterna som inte har stämts av med oss.</p>	<p>SL Izjava EU o skladnosti</p> <p>Spodaj podpisani kot pooblaščenec proizvajalca GARDENA Germany AB, PO Box 7454, S-103 92, Stockholm, Švedska, potrjuje, da v nadaljevanju označene naprave v izvedbi, v kakršni smo jih dali v promet, izpolnjujejo zahteve uskladenih direktiv EU, varnostnega standarda EU in standardov, ki veljajo za posamezne izdelke. V primeru spremembe naprave, ki ni usklajena z nami, ta izjava neha veljati.</p>
<p>DA EU-overensstemmelseerklæring</p> <p>Underskriveren bekræfter som fuldmægtig for producenten, GARDENA Germany AB, PO Box 7454, S-103 92, Stockholm, Sverige, at det (de) efterfølgende betegnede apparat(er) i den af os markedsførte udførelse opfylder kravene i de harmoniserede EU-direktiver, EU-sikkerhedsstandarder og produktspecifikke standarder. Foretagets en ændring af apparatet/apparatene, der ikke er aftalt med os, mister denne erklæring sin gyldighed.</p>	<p>HR EU izjava o sukladnosti</p> <p>Dojle potpisani kao opunomoćenik proizvođača, tvrtke GARDENA Germany AB, PO Box 7454, S-103 92, Stockholm, Švedska, potvrđujemo da niže navedeni uređaji(i) odgovarajuće izvedbe koje/kolje smo iznijeli na tržište ispunjavaju kriterije usklađenih direktiva EU i sigurnosnih standarda EU kao i standarda koji se tiču proizvoda. Ova izjava gubi valjanost u slučaju izmjena uređaja koje nisu prethodno ugovorene s nama.</p>
<p>FI EU-vaatimustenmukaisuusvakuutus</p> <p>Allakirjoittanut vahvistaa valmistajien, GARDENA Germany AB, PO Box 7454, S-103 92, Tukholma, Ruotsi, valmistamansa henkilöinä, että seuraava laite täyttää/ seuraavat laitteet täyttävät meidän toimittamassamme yhdenmukaistettujen EU-direktiivien, EU-turvallisuusmääräysten ja tuotekohtaisten standardien vaatimukset. Laitteen/laitteiden muutoksissa, joista ei ole sovittu meidän kanssamme, menettää tämä selvitys voimassaolonsa.</p>	<p>RO Declarație de conformitate UE</p> <p>Semnatarul, in calitate de se împuternicit al producătorului GARDENA Germany AB, PO Box 7454, S-103 92, Stockholm, Suedia, confirmă că aparatul (aparatele) descrise în cele ce urmează, în execuție pusă de noi pe piață îndeplinesc (îndeplinesc) cerințele directivelor armonizate UE, ale standardelor de siguranță UE și ale standardelor specifice produsului. În cazul modificării fără aprobarea noastră prealabilă a aparatului (aparatoare), acasă declarație își pierde valabilitatea.</p>
<p>IT Dichiarazione di conformità UE</p> <p>Il sottoscritto, in quanto soggetto autorizzato dal produttore, GARDENA Germany AB, PO Box 7454, S-103 92, Stoccolma, Svezia, dichiara che l'apparecchio/gli apparecchi di seguito denominato/i, nella versione da noi immessa in commercio, soddisfa/no i requisiti delle direttive UE armonizzate, degli standard di sicurezza europei e degli standard specifici per il prodotto. La presente dichiarazione perde di validità in caso di modifica dell'apparecchio/degli apparecchi non concordata con noi.</p>	<p>BG ЕС-Декларация за съответствие</p> <p>Допълнителният утвърждава като пълномощник на производителя GARDENA Germany AB, PO Box 7454, S-103 92, Стокхолм, Швеция, че по-долу описаният(ите) уред(и) в варианта на изпълнение пуснат от нас на пазара изпълнява/изпълняват изискванията на хармонизираните ЕС-директиви, ЕС-норми за безопасност и специфичните норми за продукта. В случай на промяна на уред(ите), която не е съгласувана с нас, тази декларация губи своята валидност.</p>
<p>ES Declaración de conformidad de la UE</p> <p>El firmante confirma, en calidad de apoderado del fabricante GARDENA Germany AB, PO Box 7454, S-103 92 Estocolmo (Suecia), que el/ los aparato(s) mencionado(s) a continuación cumple(n), en la versión lanzada al mercado por nuestra empresa, los requisitos de las directivas de la UE armonizadas, los estándares de seguridad de la UE y los estándares específicos del producto. La presente declaración perderá su validez si se modifica(n) el/ los aparato(s) sin previa aprobación por nuestra parte.</p>	<p>ET EL-i vastavusdeklaratsioon</p> <p>Allakirjutatu kinnitab tootja, GARDENA Germany AB, PO Box 7454, S-103 92, Stockholm, Rootsi, poolt valmistatud isikuna, et järgnevalt nimetatud seade (seadmed) täidab (täidavad) meie poolt turule toodud versiooni kujul harmoneeritud EL-i direktiivide, EL-i ohutusstandardite ja tootepõhiste standardite nõudised. Seadmed (seadmed) meiega kooskõlastamata muudatuste tegemise korral kaotab käesoleva deklaratsioon oma kehtivuse.</p>
<p>PT Declaração CE de Conformidade</p> <p>O abaixo-assinado, na qualidade de representante do fabricante, GARDENA Germany AB, PO Box 7454, S-103 92, Stockholm, Suécia, confirma que o(s) aparelho(s) a seguir designado(s) no modelo lançado por nós no mercado cumpre/cumprem os requisitos das diretivas UE harmonizadas, as normas de segurança UE e as normas específicas para estes produtos. Esta declaração perde a sua validade se forem realizadas alterações no(s) aparelho(s) sem o nosso consentimento.</p>	<p>LT ES atitikties deklaracija</p> <p>Pasirašantis, kaip gamintojo, GARDENA Germany AB, PO Box 7454, S-103 92, Stokholmas, Švedija, įgaliotasis atstovas patvirtina, kad žemiau nurodyto (-ų) prietaiso (-ų) modelio, kurio buvo pagaminti mūsų gamykloje, atitinka diramųjų ES direktyvų, ES saugumo standartus ir specifinius gamintojo standartus. Atlikus bet kokį pakeitimą (-ų) pakeitimą, kuris nėra suderintas su mumis, ši deklaracija praranda galiojimą.</p>
<p>PL Deklaracja zgodności UE</p> <p>Niżej podpisany potwierdza jako upoważniony przedstawiciel producenta, spółki GARDENA Germany AB, PO Box 7454, S-103 92, Stokholm, Szwecja, że określone poniżej urządzenie/-nia w wersji wprowadzonej przez nas do obrotu spełnia/-niaj wymogi harmonizowanych dyrektyw UE, norm bezpieczeństwa UE oraz norm dotyczących konkretnych produktów. Niniejsza deklaracja traci ważność w przypadku wprowadzania niezgodnych z nami zmian urządzenia/ń.</p>	<p>LV ES atbilstības deklarācija</p> <p>Zemā parakšējais persona kā rādītāja, uzņēmuma GARDENA Germany AB, PO Box 7454, S-103 92, Stokholma, Zviedrija, pilnvarotais pārstāvis apstiprina, ka tālāk norādītaj(-s) ierīcē(-s) izpildījumā, kādā mēs to (tās) esam laidījuši tirgū, atbilst saskaņotajām ES direktīvajām, ES drošības standartiem un konkrētajām produktam noteiktajām standartiem.</p>

Produktbezeichnung: Klarwasser-Tauchpumpe / Schmutzwasser-Tauchpumpe Description of the product: Clear Water Submersible Pump / Dirty Water Submersible Pump Désignation du produit : Pompe d'évacuation pour eaux claires / Pompe d'évacuation pour eaux sales Beschrijving van het product: Schoonwaterpomp / Vuilwaterpomp Beskrivning av produkten: Dränklar pump för rent vatten / Dränklar pump för smutsvatten Beskrivelse af produktet: Rentvands-dykpumpe / Spildevands-dykpumpe Tuotteen kuvaus: Puhtaan veden uppopumppu / Likaveden uppopumppu Descrizione del prodotto: Pompa sommersa per acqua pulita / Pompa sommersa per acqua sporca Descrição do produto: Bomba sumergible para agua limpia / Bomba sumergible para agua residual Descrição do produto: Bomba submersível de água limpa / Bomba submersível de água suja Opis produktu: Pompa zanurzeniowa do czystej wody / Pompa zanurzeniowa do brudnej wody A termék leírása: Bűvárszivattyú tisztá vízhez / Bűvárszivattyú szennyezett vízhez Popis výrobku: Ponorné čerpadlo na čistou vodu / Ponorné čerpadlo na špinavou vodu Opis proizvoda: Ponorné čerpadlo na čistu vodu / Ponorné čerpadlo na znečistenú vodu Описание на продукта: Υποβρύχια αντλία καθαρού νερού / Υποβρύχια αντλία λυμάτων Opis proizvoda: Ποτորна črpalka za čisto vodo / Potopna črpalka za umazano vodo Descrição produsului: Uronska pumpa za čistu vodu / Uronska pumpa za prijavu vodu Описание на продукта: Pompa submersibilă pentru apă curată / pompa submersibilă pentru apă murdară Gaminio aprašas: Панардинамас švaraus vandens siurblys / Панардинамас помпа за чиста вода / Потопляема помпа за мръсна вода Izstrādājuma apraksts: Selge vee sukelump / Reovee sukelump Panardinamas švaraus vandens siurblys / Panardinamas purvino vandens siurblys legremdějmais tirā ūdens sūkņis / legremdějmais notekūdens sūkņis					
Produkttyp: Termék típus: Druh výrobku: Product type: Termék típus: Druh výrobku: Type de produit : Τύπος προϊόντος: Producttype: Τύπος προϊόντος: Produkttyp: Termék típus: Druh výrobku: Producttype: Τύπος προϊόντος: Tuotetyyppi: Vrsta proizvoda: Tipo di prodotto: Tip produs: Tipo de producto: Тип продукт: Tipo de produto: Gaminio tipas: Typ produktu: Produkta veids:	9000CLEAR 11000CLEAR 9000DIRT 16000DIRT 25000DIRT	Artikelnummer: Artikkelnummer: Article number: Artikkelnummer: Référence : Referenca: Artikelnummer: Referenca: Artikelnummer: Referenca: Tuotenumero: Cod articol: Codice articolo: Artikulu numer: Referencia: Artikulu numer: Número de referencia: Artikulu numer: Numer katalogowy:	9030 9032 9040 9042 9046	Anbringningsjahr der CE-Kennzeichnung: Year of CE marking: Année d'apposition du marquage CE : Installatiejaar van de CE-aanduiding: Märkningsår: CE-Mærkningsår: CE-merkin kiintymysvuosi: Anno di applicazione della certificazione CE: Colocación del distintivo CE: Ano de marcação pela CE: Rok nadania oznakowania CE: CE-jelzés elhelyezésének éve: Rok umístění značky CE: Rok udelenia značky CE: Έτος σήμανσης CE: Leto nanesitve CE-oznake:	Godina dobivanja CE oznake: Anul de marcare CE: Година на поставяне на CE-маркировка: CE-märkingstuse paigaldamise aasta: Metai, kada pažymėta CE-ženkle: CE-marķējuma uzlikšanas gads:
EU-Richtlinien: EC-Directives: Directives CE : EG-richtlijnen: EU-direktiv: EF-direktiver: EY-direktiivit: Directive UE: Directiva CE: Directivas CE: Dyrektywy WE: EK-irányelvek: Priedpisy ES: Smernice EU:	Οδηγίες EK: Directive EU: EC directive: Directive CE: Директиви на ЕО: EU direktiivid: EB direktivos: EK direktivas:	2011/65/EU 2014/30/EU 2014/35/EU	Ulm, den 20.11.2020 Ulm, 20.11.2020 Fait à Ulm, le 20.11.2020 Ulm, 20.11.2020 Ulm, 2020.11.20. Ulm, 20.11.2020 Ulmissa, 20.11.2020 Ulm, 20.11.2020 Ulm, 20.11.2020 Ulm, 20.11.2020 Ulm, 20.11.2020 Ulm, 20.11.2020 Ulm, 20.11.2020 Ulm, 20.11.2020 Ulm, 20.11.2020 Ulm, 20.11.2020 Ulm, 20.11.2020 Ulm, 20.11.2020 Ulm, 20.11.2020 Ulm, 20.11.2020 Ulm, 20.11.2020 Ulm, 20.11.2020 Ulm, 20.11.2020 Ulme, 20.11.2020	Der Bevollmächtigte Authorised representative Le mandataire De gevolmachtigde Auktoriserad representant Autoriseret repræsentant Valtuutettu edustaja Persona delegata La persona autorizata O reprezentante Pelnomocnik Meghatalmazott Zpnomocnėnec Splnomocneny O εξουσιοδοτημένος Probalšcėnec Ovlaštena osoba Conducerea tehnică Упълномощен Volitatud esindaja Įgaliotasis atstovas Pilnvarotā persona	
Harmonisierte EN-Normen / Harmonised EN:	EN ISO 12100 EN 60335-1 EN 60335-2-41				
Hinterlegte Dokumentation: GARDENA-Technische Dokumentation, M. Kugler, 89079 Ulm Deposited Documentation: GARDENA Technical Documentation, M. Kugler, 89079 Ulm Documentation déposée: Documentation technique GARDENA, M. Kugler, 89079 Ulm	 Reinhard Pompe Vice President	 Wolfgang Engelhardt Vice President Supply Chain			

Deutschland / Germany

GARDENA
Manufacturing GmbH
Central Service
Hans-Lorenser-Straße 40
D-89079 Ulm
Produktfragen:
(+49) 731 490-123
Reparaturen:
(+49) 731 490-290
service@gardena.com
http://www.gardena.com

Albania

KRAFT SHPK
Autostrada Tirane-Durres
Km 7
1051 Tirane

Argentina

ROBERTO C. RUMBO S.R.L.
Predio Norlog
Lote 7
Benavidez AC:1621
Buenos Aires
ventas@rumbosrl.com.ar

Australia

Husqvarna Australia Pty. Ltd.
Locked Bag 5
Central Coast BC
NSW 2252
Phone: (+61) (0) 2 4352 7400
customer.service@
husqvarna.com.au

Austria / Österreich

Husqvarna Austria GmbH
Industriezeile 36
4010 Linz
Tel.: (+43) 732 77 01 01-485
service.gardena@
husqvarnagroup.com

Azerbaijan

Firm Progress
a. Aliyev Str. 26A
1052 Baku

Belarus

Private Enterprise
"Master Garden"
Minsk
Sharangovich str., 7a
Phone: (+375) 17 257-00-33
Mob.: (+375) 29 676-16-09
mg@mastergarden.by

Belgium

Husqvarna Belgium nv
Gardena Division
Leuvensesteenweg 542
Planet II E
1930 Zaventem
België

Bosnia / Herzegovina

SILK TRADE D.o.o.
Industrijska zona Bukva bb
74260 Tešanj

Brazil

Husqvarna do Brasil Ltda
Av. Francisco Matarazzo,
1400 - 19º andar
São Paulo - SP
CEP: 05001-903
Tel: 0800-112252
marketing.br.husqvarna@
husqvarna.com.br

Bulgaria

AGROLAND България АД
бул. 8 Декември, №13
Офис 5
1700 Студентски град
София
Тел.: (+359) 24 666 610
info@agroland.eu

Canada / USA

GARDENA Canada Ltd.
100 Summerlea Road
Brampton, Ontario L6T 4X3
Phone: (+1) 905 792 93 30
info@gardenacanada.com

Chile

REPRESENTACIONES
JCE S.A.
Av. Del Valle Norte 857,
Piso 4
Santiago RM
Phone: (+56) 2 24142560
contacto@jce.cl

China

Husqvarna (Shanghai)
Management Co., Ltd.
富世华 (上海) 管理有限公司
3F, Beng Square B,
No207, Song Hong Rd.,
Chang Njing District,
Shanghai
PRC. 200335
上海市长宁区沁虹路207号明
基广场B座3楼. 邮编: 200335

Colombia

Husqvarna Colombia S.A.
Calle 18 No. 68 D-31, zona
Industrial de Montevideo
Bogotá, Cundinamarca
Tel. 571 2922000 ext. 105
jairo.salazar@
husqvarna.com.co

Costa Rica

Compania Exim
Euroberoamericana S.A.
Los Colegios, Moravia,
200 metros al Sur del Colegio
Saint Francis - San José
Phone: (+506) 297 68 83
exim_euro@racsa.co.cr

Croatia

Husqvarna Austria GmbH
Industriezeile 36
4010 Linz
Tel.: (+43) 732 77 01 01-485
service.gardena@
husqvarnagroup.com

Cyprus

Med Marketing
17 Digeni Akritia Ave
P.O. Box 27017
1641 Nicosia

Czech Republic

Husqvarna Česko s.r.o.
Türkova 2319/5b
149 00 Praha 4 - Chodov
Bezplatná infolinka:
800 100 425
servis@cz.husqvarna.com

Denmark

GARDENA DANMARK
Lejrhøj 19, st.
3500 Værløse
Tlf.: (+45) 70264770
husqvarna@husqvarna.dk
www.gardena.com/dk

Dominican Republic

BOSQUESA, S.R.L.
Carretera Santiago Licey
Km. 5 ½
Esquina Copal II,
Santiago
Dominican Republic
Phone: (+809) 736-0333
josebosquesa@claro.net.do

Ecuador

Husqvarna Ecuador S.A.
Arupos E1-181 y 10 de
Agosto Quito, Pichincha
Tel. (+593) 22800739
francisco.jacome@
husqvarna.com.ec

Estonia

Husqvarna Eesti OÜ
Valdeku 132
EE-11216 Tallinn
info@gardena.ee

Finland

Oy Husqvarna Ab
Gardena Division
Lautatarhankatu 8 B / PL 3
00581 HELSINKI
www.gardena.fi

France

Husqvarna France
113b Allée des pierres mayettes
92635 Gennevilliers Cedex
France
http://www.gardena.com/fr
N° AZUR: 0 810 00 78 23
(Prix d'un appel local)

Georgia

Transporter LLC
113b Bellashvili street
0159 Tbilisi, Georgia

Service Address and Importer to Great Britain

Husqvarna UK Ltd
Preston Road
Aycliffe Industrial Park
Newton Aycliffe
County Durham
DL5 6UP
info.gardena@
husqvarna.co.uk

Greece

Π. ΠΑΠΑΔΟΠΟΥΛΟΣ ΑΕΒΕ
Λεωφ. Αθηνών 92
Αθήνα
Τ.Κ. 104 42
ΕΛΛΑδα
Tηλ: (+30) 210 5193100
info@papaodopoulos.com.gr

Hungary

Husqvarna Magyarország Kft.
Ezred u. 1-3
1044 Budapest
Telephone: (+36) 1 251-4161
vezosvolgait.husqvarna@
husqvarna.hu

Iceland

BYKO ehf.
Blidshófa 20
110 Reykjavik

Ireland

Husqvarna UK Ltd
Preston Road
Aycliffe Industrial Park
Newton Aycliffe
County Durham
DL5 6UP
info.gardena@
husqvarna.co.uk

Italy

Husqvarna Italia Spa
Centro Direzionale Planum
Via del Lavoro 2, Scala B
22036 ERBA (CO)
Tel. (+39) 031.4147700
assistenza.italia@
it.husqvarna.com

Japan

Husqvarna
Zenoah Co. Ltd. Japan
1-9 Minamidai, Kawagoe
350-1165 Saitama
Japan
gardena-jp@
husqvarnagroup.com

Kazakhstan

LAMED Ltd.
155/11, Tazhibayevoi Str.
050060 Almaty
IP Schmidt
Abayavenue 3B
110 005 Kostanay

Korea

Kyung Jin Trading CO., LTD.
107-4, SunDuk Bid.,
YangJae-dong,
Secho-gu,
Seoul, (zipcode: 137-891)
Phone: (+82) (0)2 574-6300

Latvia

Husqvarna Latvija SIA
Ulbrokas 19A
LV-1021 Riga
info@gardena.lv

Lithuania

UAB Husqvarna Lietuva
Atietiles pl. 77C
LT-52104 Kaunas
info@gardena.lt

Luxembourg

Magasins Jules Neuberger
39, rue Jacques Stas
Luxembourg-Gasperich 2549
Case Postale No. 12
Luxembourg 2010
Phone: (+352) 40 14 01
api@neuberger.lu

Mexico

AFOSA
Av. Lopez Mateos Sur # 5019
Col. La Calma 45070
Zapopan, Jalisco
Mexico
Phone: (+52) 33 3818-3434
cornejo@afosa.com.mx

Moldova

Convel S.R.L.
290A Muncesti Str.
2002 Chisinau

Netherlands

Husqvarna Nederland B.V.
GARDENA Division
Postbus 50131
1305 AC ALMERE
Phone: (+31) 36 521 00 10
info@gardena.nl

Neth. Antilles

Jonka Enterprises N.V.
St. Rosa Weg 196
P.O. Box 8200
Curaçao
Phone: (+599) 9 767 66 55
pgm@jonka.com

New Zealand

Husqvarna New Zealand Ltd.
PO Box 76-437
Manukau City 2241
Phone: (+64) (0) 9 9202410
support.nz@husqvarna.co.nz

Norway

Husqvarna Norge AS
Gardena Division
Traskemeißen 36
1708 Sarpsborg
info@gardena.no

Peru

Husqvarna Perú S.A.
Ir. Ramón Cárcamo 710
Lima 1
Tel.: (+51) 1 3320 400 ext. 416
fern.rumzogo@
husqvarna.com

Poland

Husqvarna
Poland Spółka z o.o.
ul. Wysockiego 15 b
03-371 Warszawa
Phone: (+48) 22 330 96 00
gardena@husqvarna.com.pl

Portugal

Husqvarna Portugal, SA
Lagoa - Albarraque
2635 - 595 Rio de Moura
Tel.: (+351) 21 922 85 30
Fax : (+351) 21 922 85 36
info@gardena.pt

Romania

Madex International Srl
Soseava Odaii 117 - 123,
RO 013603 Bucuresti, S 1
Phone: (+40) 21 352.76.03
madex@ines.ro

Russia / Россия

ООО „Мусковья“
141400, Московская обл.,
г. Химки,
улица Ленинградская,
владение 39, стр.6
Бизнес Центр
„Химки Бизнес Парк“,
помещение OB02_04
http://www.gardena.ru

Serbia

Domel d.o.o.
Autoput za Novi Sad bb
11273 Belgrade
Phone: (+381) 118 48 88 12
miroslav.jejina@domel.rs

Singapore

Hy-Ray PRIVATE LIMITED
40 Jalan Pemimpin
02-08 Tat Ann Building
Singapore 577185
Phone: (+65) 6253 2277
shiyang@hyray.com.sg

Slovak Republic

Husqvarna Cesko s.r.o.
Türkova 2319/5b
149 00 Praha 4 – Chodov
Bezplatná infolinka: 800 154 044
servis@sk.husqvarna.com

Slovenia

Husqvarna Austria GmbH
Industriezeile 36
4010 Linz
Tel.: (+43) 732 77 01 01-485
service.gardena@
husqvarnagroup.com

South Africa

Husqvarna South Africa (Pty) Ltd
Postnet Suite 250
Private Bag 86,
Cascades, 3202, South Africa
Phone: (+27) 33 846 9700
info@gardena.co.za

Spain

Husqvarna España S.A.
Calle de Rivas nº 10
28052 Madrid
Phone: (+34) 91 708 05 00
atencioncliente@gardena.es

Suriname

Deto Handelmaatschappij N.V.
Kernkampweg 72-74
P.O.Box: 12782
Paramaribo – Suriname
South America
Phone: (+597) 438050
www.deto.sr

Sweden

Husqvarna AB /
GARDENA Sverige
Drottninggatan 2
561 82 Huskvarna Sverige

Switzerland / Schweiz

Husqvarna Schweiz AG
Consumer Products
Industriestrasse 10
5506 Mägenwil
Phone: (+41) (0) 62 887 37 90
info@gardena.ch

Turkey

Dost Bahçe Diş Ticaret
Mümissilik A.Ş
Yunus Mah. Adil Sok. No:3
Ic Kapi No: 1 Kartal
34873 Istanbul
Phone: (+90) 216 38 93 939
info@dostbahce.com.tr

Ukraine / Україна

ТОВ „Мусковья Україна“
вул. Васильківська, 34,
офис 204-
03022, м. Київ
Тел. (+38) 0 800 504 804
info@gardena.ua

Uruguay

FELI SA
Entre Ríos 1083 CP 11800
Montevideo – Uruguay
Tel.: (+598) 22 03 18 44
info@felisa.com.uy

Venezuela

Corporación Casa y Jardín C.A.
Av. Caroni, Edif. Trezmen, PB.
Colinas de Bello Monte,
1050 Caracas.
Tlf: (+58) 212 992 33 22
info@casayjardin.net.ve

9030-20.960.03/0821
© GARDENA Manufacturing GmbH
D-89079 Ulm
http://www.gardena.com