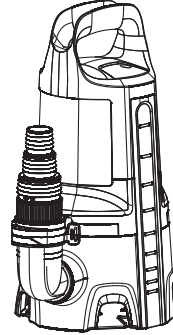


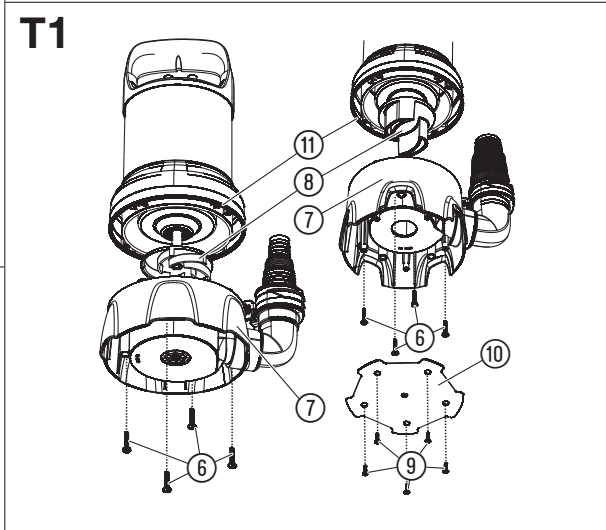
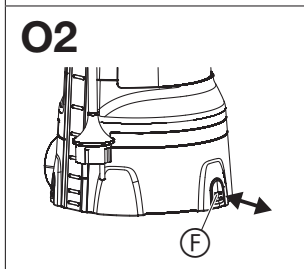
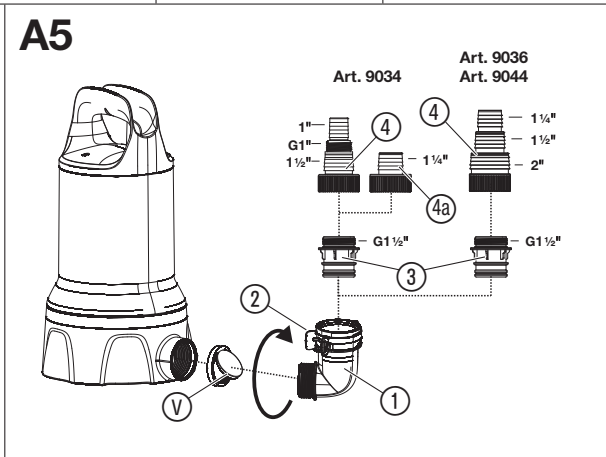
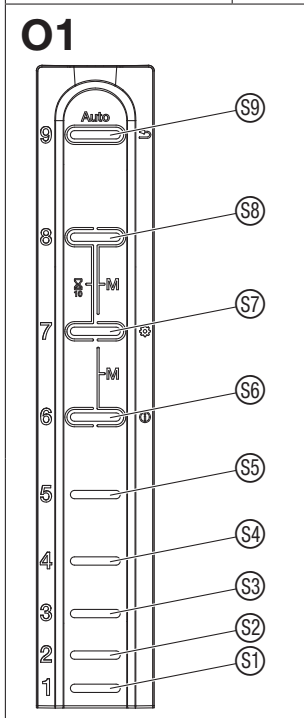
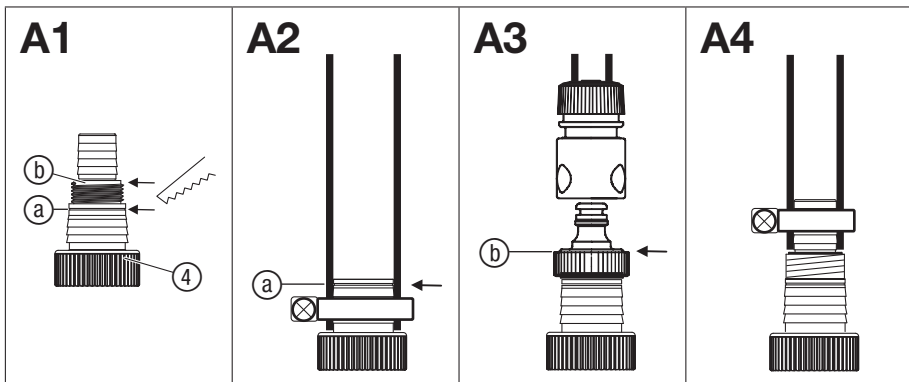
11000 AS CLEAR Art. 9034
17000 AS CLEAR Art. 9036



20000 AS DIRT Art. 9044

EN Operator's Manual

Clear Water Submersible Pump/
Dirty Water Submersible Pump



GARDENA Clear Water Submersible Pump 11000 AS CLEAR Art. 9034 / 17000 AS CLEAR Art. 9036/ Dirty Water Submersible Pump 20000 AS DIRT Art. 9044

1. SAFETY	13
2. ASSEMBLY	14
3. OPERATION	15
4. MAINTENANCE	17
5. STORAGE	17
6. TROUBLESHOOTING	18
7. TECHNICAL DATA	19
8. ACCESSORIES	19
9. SERVICE/WARRANTY	20

Intended use:

The **GARDENA Submersible Pump** is intended for drainage purposes if flooding occurs but also for transferring water to and from tanks and pumping them out, for drawing water from wells and shafts, for draining boats and yachts and for aerating and circulating water for limited periods and for pumping water containing chlorine and detergents in private domestic gardens and allotments.

Liquids to be pumped:

The GARDENA Submersible Pump must only be used to pump water.

The pump is fully submersible (water-tight encapsulation) and is submerged in water (for max. submersion depth, see 7. TECHNICAL DATA).

The product is suitable for pumping the following liquids:

- **Clear Water Submersible Pump:** clean to slightly dirty water with a max. particle size of 5 mm.
- **Dirty Water Submersible Pump:** dirty water with a max. particle size of 35 mm.

The product is not intended for long term use (continuous circulation operation).

Translation of the original instructions.



This product may be used under supervision, or if instruction regarding the safe use of the product has been provided and the resulting dangers have been understood, by children aged 8 and above, as well as by persons with physical, sensory or mental disabilities or a lack of experience and knowledge. Children must not be allowed to play with the product. Cleaning and user maintenance must not be performed by children without supervision. The use of this product by young people under the age of 16 is not recommended.



DANGER! Risk of physical injury!

The pump should not be used for the delivery of salt water, corrosive, easily inflammable or explosive liquids (e. g. petrol, paraffin, thinners), oil, heating oil or foodstuffs.

1. SAFETY

IMPORTANT!

Read the operator's manual carefully before use and keep for future reference.

Symbols on the product:



Read operator's manual.

General safety warnings

Electrical safety



DANGER! Electric shock!
Risk of injury due to electric shock.

→ The product must be supplied through a residual current device (RCD) having a rated residual operating current not exceeding 30 mA.

→ Contact GARDENA Service if the residual current device (RCD) has triggered.



DANGER! Risk of injury!
Risk of injury due to electric current.

→ Disconnect the product from the mains before you maintain or replace parts. Thereby the disconnected socket must be in the visual range.

Safe operating practices

The water temperature should not exceed 35 °C.

The pump must not be used when people are in the water.

Pollution of the liquid could occur due to leakage of lubricants.

Keep bystanders away from the water.

Operate the pump only with the elbow connector.

The hose end should be lower than the maximum delivery head.

Circuit breakers

Thermal protection switch:

In the event of an overload, the pump is switched off by the built-in thermal motor protection. After sufficient cooling of the motor, the pump is operational again.

Automatic venting

This pump is equipped with a vent valve which eliminates any air pockets in the pump. Depending on the function, a small amount of water can escape from the side of the housing.

Additional safety warnings

Electrical safety



DANGER! Cardiac arrest!

This product makes an electromagnetic field while it operates. This field may under some conditions interfere with active or passive medical implants. To decrease the risk of conditions that can possibly injure or kill, we recommend persons with medical implants to speak with their physician and the medical implant manufacturer before you operate the product.

Cables

If extension cables are used, these must comply with the minimum cross-sections in the table below:

Voltage	Cable length	Cross section
230 – 240 V/50 Hz	Up to 20 m	1.5 mm ²
230 – 240 V/50 Hz	20 – 50 m	2.5 mm ²



DANGER! Electric shock!

With a cut off mains plug, moisture can get into electrical parts via the mains cable and cause a short circuit.

→ **Never cut the mains plug off (e.g. to feed through wall).**

→ Don't use the power cable for plugging off.

→ If the supply cord is damaged, it must be replaced by the manufacturer, its service agent or similarly qualified persons in order to avoid a hazard.

Mains plug and extension connections must be protected from water splashes.

Ensure that the electrical connections for plugs and sockets are made in areas safe from flooding.

Protect the mains plug and the mains power cable from heat, oil and sharp edges.

Observe the mains voltage. The information on the nameplate must be in agreement with the data for the mains power grid.

The pump's mains plug must be disconnected before anybody enters the swimming pool or touching the surface of the water.

The mains power cable must not be used for fastening or transporting the pump.

For submerging or lifting / securing the pump, please use a fastening rope.

Please regularly check the connecting line.

Before using, always subject the pump (especially the power cables and the power connections) to a visual inspection.

A pump which is damaged should not be used. In the event of damage, have the pump checked by the GARDENA Service.

Assembly instructions: Retighten all screws by hand.

Before use after maintenance, make sure that all parts are screwed together.

When using our pumps with a generator, the warnings of the generator manufacturer must be observed.

Personal safety



DANGER! Risk of suffocation!

Small parts can be easily swallowed. There is also a risk that the polybag can suffocate toddlers. Keep toddlers away when you assemble the product.

Observe the minimum water level in accordance with the characteristics given for the pump.

Allow the pump to run no longer than 10 minutes against a closed pressure side.

Sand and other abrasive substances cause increased wear and reduce the pump's output.

The sensor fields may only be operated outside the water.

The hose must not be disconnected during operation.

Allow the pump to cool down before troubleshooting.

2. ASSEMBLY



DANGER! Risk of physical injury!

Injury when the product starts accidentally.

→ **Disconnect the product from the mains before you assemble the product.**

Connection possibilities of the connection nipple [Fig. A1]:

The hose can be connected via the connection nipple ④ with different hose diameters or the GARDENA Connection System.

Large hose diameter **Cut off nipple at ①**
[Fig. A2]

**GARDENA Connection System/
Art. 9036/9044: Medium hose
diameter** **Cut off nipple at ②**
[Fig. A3]

Small hose diameter **Do not cut off nipple**
[Fig. A4]

When using the largest hose diameter, the pump has the maximum delivery capacity.

Pump	Art. 9034	Art. 9036 Art. 9044
Small hose diameter	25 mm (1")	32 mm (1 1/4")
Art. GARDENA Hose Clamp	Art. 7193	Art. 7194
Medium hose diameter	GARDENA Connection System G 1"	38 mm (1 1/2")
Art. GARDENA Hose Clamp	Art. 7194	Art. 7195
Large hose diameter	38 mm (1 1/2")	51 mm (2")
Art. GARDENA Hose Clamp	Art. 7195	Art. 7196

When using the 38 mm (1 1/2") hose, we recommend the **GARDENA Flat Hose Set Art. 5005** with 10 m hose and hose clamp.

* For Art. 9034 an additional connection nipple ④ for 1 1/4" hoses is supplied.

To connect the hose via the connection nipple:

- When using the large diameter hose, cut off the connection nipple ④ at ①.
- Only for Art. 9036/9044: When using the medium hose diameter, cut off the connection nipple ④ at ②.
- Push the hose onto the connection nipple ④.
- Fix the hose to the connection nipple ④ e.g. with a **GARDENA Hose Clamp**.

Connect hose via the GARDENA Connection System:

With **17000 AS CLEAR/20000 AS DIRT** (Art. 9036/9044) the hose cannot be connected via the connection nipple ④ with the GARDENA Connection System.

3. OPERATION



DANGER! Risk of physical injury!
Injury when the product starts accidentally.

→ **Disconnect the product from the mains before you connect, adjust or transport the product.**

To pump water:

If the pump cannot be immersed via the handle, the pump must always be immersed via a rope. Attach the rope by pulling it through the eyelets provided and knotting it. Minimum immersion depth during initial operation see 7. TECHNICAL DATA.

19 mm (3/4")/15 mm (5/8") and 13 mm (1/2") hoses can be connected via the GARDENA Connection System.

We do not recommend hose diameters smaller than 25 mm (1"), otherwise there will be a significant reduction in the output of the delivery rate.

Hose diameter	Pump connection	
13 mm (1/2")	GARDENA Pump Connection Set	Art. 1750
15 mm (5/8")	GARDENA Pump Connection Set	Art. 1750
19 mm (3/4")	GARDENA Pump Connection Set	Art. 1752

- Cut off the connection nipple ④ at ①.
- Connect the hose to the connection nipple ④ via the appropriate GARDENA Connection System.

To assemble the pump connection [Fig. A5]:



DANGER! Risk of physical injury!
Injured cut by the impeller.

→ **Operate the pump only with the elbow connector.**

The hose can be easily connected and disconnected using the locking devices ② on the elbow connector ①.

With Art. 9034/9036 a non-return valve is supplied which prevents water from flowing back through the hose. The max. delivery rate is only achieved without the non-return valve.

If only a small amount of reflux is expected, e.g. if the hose is laid flat, we recommend dispensing with the valve due to the better delivery and suction performance.

- Only for Art. 9034/9036: Insert the non-return valve ⑤ into the pump. Observe the installation direction.
- Screw the elbow connector ① clockwise into the pump until it stops. (If the hose is to be installed horizontally, the elbow connector ① can be screwed out again up to half a turn. When using the non-return valve, increased force is required.)
- Screw the connection piece ③ into the connection nipple ④.
- Push the connection nipple ④ of the hose into the elbow connector ① until it stops until it engages audibly and visibly.

The hose is securely connected to the pump.

Take care that the pump is located where the inlet openings at the suction base are not obstructed neither completely nor partly.

Stand the pump on a brick if using in a pond.

If the suction process is close to the minimum water level at start-up, the suction process may take longer.

- Immerse the pump.
- Connect the pump to the mains.
The sensor is initialised and indicated by a running light.

Automatic operation [Fig. O1]:

In automatic operation the pump switches on automatically when the water level reaches the switch-on level and switches off automatically when the water level reaches the switch-off level.

Switch-on/switch-off heights of the sensor fields:

The sensor has nine sensor fields (S1) to (S9) from bottom to top), which are located to the right of the LEDs.

The sensor fields are about 1 cm high (no finger or changed water level is detected between the sensor fields).

Sensor field	(S1)	(S2)	(S3)	(S4)	(S5)	(S6)	(S7)	(S8)	(S9)
Art. 9034/9036 Switch height [mm]	5	19	34	53	77	105	136	170	207
Art. 9044 Switch height [mm]	42	54	69	88	112	140	171	205	242

Art. 9034/9036: When the feet are folded in, the values are 4 mm higher in each case.

After plugging in the pump the 9 LED's light up one after the other.

The pump starts at the factory in automatic mode with sensor field switch-on height (S4) and sensor field switch-off height (S1).

To adjust the switch-on/switch-off heights [Fig. O1]:

The sensor fields can only be adjusted outside the water.

When the pump has been removed from the water, the sensor should be dried for programming.

The upper sensor field is always the switch-on height, the lower sensor field is always the switch-off height.

Operate the sensor fields until all inputs are acknowledged with a short double flash of all LEDs.

1. Keep the sensor field (S7) pushed until the double flashing of all LED's has acknowledged the input.

The currently set switch-on and switch-off heights are briefly displayed. After that all sensor fields light up.

2. Push the desired upper sensor field for the switch-on height.

The LED of the selected sensor field switches off.

3. Push the desired lower sensor field for the switch-off height.

The LED of the selected sensor field switches off. After 3 seconds, the set switch-on and switch-off heights are accepted and displayed.

Automatic clear water suction for very low water levels:

Sensor field (S1) can be selected both as switch-on and switch-off point.

If the sensor field (S1) still detects water within 10 minutes after starting the pump, the pump switches off to prevent damage due to dry running.

The pump will still start if sensor field (S2) detects water. In this case, however, the sensor should be cleaned to ensure exact water level detection.

If the sensor field (S1) is activated several times within a short time by water flowing back from the hose line, there is a pause of 10 minutes.

If the water level reaches sensor field (S2), the pump switches on automatically, even within the pause of 10 minutes. If this is the case regularly, please select the next sensor field as the switch-on point.

In order to ensure quick suction, the pump switches off briefly for the sensor field (S1) – sensor field (S9) to vent.

After 20 seconds of operation, the pump switches off once for approx. 2 seconds and then on again.

To display switch-on and switch-off heights:

→ Keep the sensor field (S9) pushed until the double flashing of all LED's has acknowledged the input.

The currently set switch-on and switch-off heights are displayed.

Disable the water level tracking:

In automatic operation, the LEDs follow the water level. This can be deactivated.

→ Keep the sensor field (S9) pushed during initialisation until the double flashing of all LED's has acknowledged the input (see **To pump water**).

To switch the water level tracking back on, push and hold the sensor field (S9) again during initialisation until the double flashing of all LED's has acknowledged the input.

Demo mode:

For presentation purposes, the pump can be put into demo mode. In this mode, the LEDs simulate the pump's functions via flashing sequences and the sensor fields react to touch.

→ Keep the sensor fields (S5) and (S9) pushed during initialisation when switching on or during the self-test after plugging in until the double flashing of all LED's has acknowledged the input.

To switch off the demo mode again, push and hold the sensor fields (S5) and (S9) during initialisation when switching on or during the self-test after plugging in until the double flashing of all LED's has acknowledged the input.

Manual operation [Fig. O1]:

In manual mode the pump runs until the pump is disconnected from the mains. This mode is particularly suitable for flat suction.

In manual operation the sensor fields are deactivated. The pump then runs until the pump is disconnected from the mains or another operating mode is selected.


→ Keep the sensor fields (S5) and (S9) pushed until the double flashing of all LED's has acknowledged the input.

All LEDs will light up and within 5 seconds all the LEDs will switch off one after the other. The pump starts.

During these 5 seconds the pump should be placed in the water. A start will only take place if the pump detects water. If this is not the case, the countdown is repeated up to three times.

If you need more time to put the pump into the water, please disconnect the pump from the power supply. The countdown will continue after the sensor is plugged in again.

The manual operation remains active even after disconnecting the power supply.

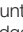

To stop manual operation, disconnect the pump from the mains and take it out of the water. Connect the pump to the power supply again and keep sensor field  pressed until it is acknowledged by double flashing of all LEDs.

Now you are again in automatic mode.

Only operate the manual mode under supervision.

Time-limited manual operation:



In time-limited manual operation, the sensor fields are deactivated for 10 minutes. The pump then runs for 10 minutes and then switches off automatically.

→ Keep the sensor fields  and  pushed until the double flashing of all LED's has acknowledged the input.

All LEDs will light up and within 10 seconds all LEDs will switch off one after the other. The pump starts.

After 10 minutes the pump automatically switches back to automatic operation.

After disconnecting the power supply, the pump automatically switches back to automatic operation.

To return to the automatic mode again, push and hold the 2 sensor fields  and  simultaneously until the double flashing of all LEDs has acknowledged the input.

Flat suction/normal operation (only for the clear water submersible pumps) [Fig. O2]:

Normal operation:

Recommended operating mode for maximum pumping capacity and grain size up to 5 mm, especially in automatic mode.

→ Fold the 3 folding feet  inwards.

Flat suction:

The residual water height of approx. 1 mm is only achieved with flat suction in manual operation. Please note that in this mode the delivery and suction capacity is reduced.

→ Fold the 3 folding feet  outwards.

4. MAINTENANCE



DANGER! Risk of physical injury!

Injury when the product starts accidentally.

→ **Disconnect the product from the mains before you maintain the product.**

To clean the pump:



DANGER! Risk of physical injury!

Risk of injury and risk of damage to the product.

→ **Do not clean the product with a water jet (in particular high-pressure water jet).**

→ **Do not clean with chemicals including petrol or solvents. Some can destroy critical plastic parts.**

→ Clean the surface of the pump with a damp cloth.

To flush the pump:

After pumping water containing chlorine, detergents or heavily soiled water, the pump must be flushed.

1. Pump lukewarm water (max. 35 °C), possibly adding a mild cleaning agent (e.g. detergent) until the pumped water runs clear.
2. Remove residuals according to the waste disposal laws applicable in your area.

5. STORAGE

To put into storage:

The pump is not frost-proof!

The product must be stored away from children.

1. Disconnect the pump from the mains.
2. Turn the pump upside down until no more water runs out.
3. Clean the pump (see 4. MAINTENANCE).
4. Store the pump in a dry, enclosed and frost-free place.

Disposal:

(in accordance with RL2012/19/EC)



The product must not be disposed of to normal household waste. It must be disposed of in line with local environmental regulations.

IMPORTANT!

→ Dispose of the product through or via your municipal recycling collection centre.

6. TROUBLESHOOTING



DANGER! Risk of physical injury!
Injury when the product starts accidentally.

→ Disconnect the product from the mains before you troubleshoot the product.

To clean the suction base and the impeller [Fig. T1]:

1. Only for Art. 9044: Unscrew the 5 Phillips screws ⑨ and remove the cover ⑩.
2. Unscrew the 4 Phillips screws ⑥.
3. Pull the suction base ⑦ off the pump.
4. Clean suction base ⑦ and impeller ⑧ (the warranty does not become void as a result of this maintenance work).

5. Clean the seal ⑪ carefully to avoid damage and leakage.
6. Reassemble the suction base ⑦ in reverse order.

A damaged seal must be replaced.

For safety reasons a damaged impeller can only be exchanged by the GARDENA Service Centre.

If the sensor detects an error, it will indicate this via a light signal. First, all LEDs will flash, followed by a single, flashing LED. This pattern will then alternate. The single, flashing LED will indicate the relevant error.

The action(s) required to resolve the error can then be found in the table below.

The error must be fully resolved before the pump is subsequently disconnected from the mains electricity.

Problem	Possible Cause	Remedy
Pump is running, but doesn't deliver water	Low water level and filled hose with built-in non return valve.	→ Remove the check valve or empty the hose manually
	Air cannot escape, because the pressure line is closed. (Possible kink in the pressure hose.)	→ Open the pressure line (e.g. shut-off valve, delivery units).
	Air in suction foot.	→ Wait for about 60 seconds until the pump has vented; if necessary, turn off and then on again.
Flashing LED 1	Suction opening is clogged.	→ Clean the suction opening with a water jet.
	Hose is clogged.	→ Remove the clog from the hose.
	Water level below minimum water level when put into operation.	→ Submerge the pump deeper.
Flashing LED 5	Sensor is dirty.	→ Clean the sensor.
Flashing LED 7	Time is exceeded.	→ Place the pump in water within the countdown.
Flashing LED 9	Impeller is blocked.	→ Clean the impeller.
Pump does not start, or stops suddenly during operation	Thermal switch has turned the pump off because of overheating.	→ Clean the suction opening. Observe the max. media temperature (35 °C).
	Pumping without electricity.	→ Check fuses and electrical plug connections.
	RCD has triggered (residual current).	→ Disconnect the pump and contact the GARDENA Service.
Pump is running but the delivery drops suddenly	Suction opening is clogged.	→ Clean the suction opening with a water jet.
	Hose is clogged.	→ Remove the clog from the hose.
Pump starts and stops several times in succession	Returning water from the hose	→ Select the next higher switch-on point and insert the non return valve.
Pump does not start with activated sensor field ⑤	Sensor field ⑤ was activated several times within a short time and the pump is paused.	→ Wait for the break. Select the next higher switch-on point and insert the non return valve.



NOTE: For any other malfunctions please contact the GARDENA service department.
Repairs must only be done by GARDENA service departments or specialist dealers approved by GARDENA.

7. TECHNICAL DATA

<i>Submersible Pump</i>	Unit	Value (Art. 9034)	Value (Art. 9036)	Value (Art. 9044)
Rated power	W	450	750	750
Mains voltage	V (AC)	230	230	230
Mains frequency	Hz	50	50	50
Max. delivery capacity	l/h	11,000	17,000	20,000
Max. pressure/ Max. delivery head	bar/ m	0.7 / 7.0	0.9 / 9.0	0.9 / 9.0
Max. submersion depth	m	7	7	7
Min./max. cut-in height	mm	5 / 207	5 / 207	42 / 242
Min./max. cut-out height	mm	1 / 170	1 / 170	35 / 205
Residual water level	mm	1	1	35
Dirty water with max. particle diameter (* Flat suction)	mm	1* / 5	1* / 5	35
Minimum water depth for operation (approx.)	mm	5	5	42
Power cable	m	10 (H05RN-F)	10 (H05RN-F)	10 (H07RN-F)
Weight without cable (approx.)	kg	4.0	4.7	5.0
Connection thread water outlet	Inch	G 1 1/2"	G 1 1/2"	G 1 1/2"
Connection options	Inch	1" / 1 1/4" / 1 1/2" / G 1"	1 1/4" / 1 1/2" / 2"	1 1/4" / 1 1/2" / 2"
Max. media temperature	°C	35	35	35

Note: The switch on/switch-off heights and the minimum water level on start-up were calculated without the height differences to be negotiated. Pump heads of approx. 1 m or more may result in longer suction times of up to 1 minute, or higher minimum water levels of up to +5 cm.

* When the feet are folded in, the values are 4 mm higher in each case.

8. ACCESSORIES

GARDENA Flat Hose Set	10 m 38 mm (1 1/2") hose with hose clamp.	Art. 5005
GARDENA Hose Clamp	For 25 mm (1") hoses via the connection nipple.	Art. 7193
GARDENA Hose Clamp	For 32 mm (1 1/4") hoses via the connection nipple.	Art. 7194
GARDENA Hose Clamp	For 38 mm (1 1/2") hoses via the connection nipple.	Art. 7195
GARDENA Hose Clamp	For 51 mm (2") hoses via the connection nipple.	Art. 7196
GARDENA Pump Connection Set	For 19 mm (3/4") hoses via the GARDENA Connection System.	Art. 1752

9. SERVICE/WARRANTY

Service:

Please contact the address on the back page.

Warranty statement:

In the event of a warranty claim, no charge is levied to you for the services provided.

GARDENA Manufacturing GmbH grants a warranty for all original GARDENA new products for two years from the date of original purchase from the retailer, provided that the devices have been for private use only. This manufacturer's warranty does not apply to products acquired second hand. This warranty includes all significant defects of the product that can be proved to be material or manufacturing faults. This warranty is fulfilled by supplying a fully functional replacement product or by repairing the faulty product sent to us free of charge; we reserve the right to choose between these options. This service is subject to the following provisions:

- The product has been used for its intended purpose as per the recommendations in the operating instructions.
- Neither the purchaser nor a third party has attempted to open or repair the product.
- Only Original GARDENA replacement parts and wear parts have been used for operation.

- Presentation of the receipt.

Normal wear and tear of parts and components (such as blades, blade fixing parts, turbines, light bulbs, V-belts/toothed belts, impellers, air filters, spark plugs), visual changes, wear parts and consumables are excluded from the warranty.

This manufacturer's warranty is limited to replacement and repair of products in accordance with the abovementioned conditions. The manufacturer's warranty does not constitute an entitlement to lodge other claims against us as a manufacturer, such as for damages. This manufacturer's warranty does **not**, of course, affect statutory and contractual warranty claims against the dealer/retailer.

The manufacturer's warranty is governed by the law of the Federal Republic of Germany.

In case of a warranty claim, please return the faulty product, together with a copy of the receipt and a description of the fault, with postage paid to the service address.

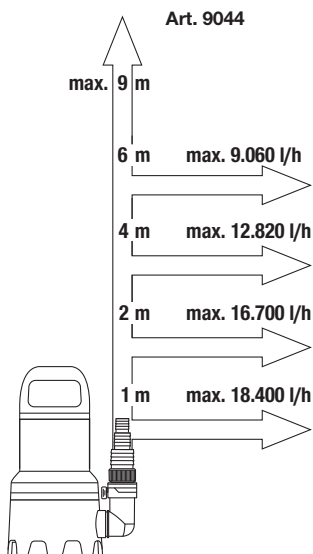
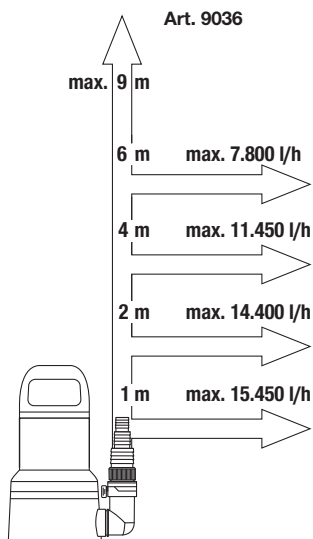
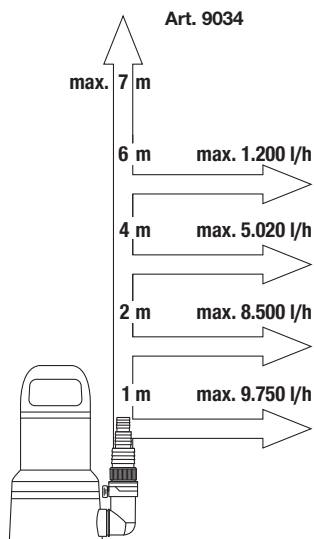
Consumables:

The impeller is a consumable and is not included in the warranty.

Pumpen-Kennlinien
 Performance characteristics
 Courbes de performance
 Prestatiegrafiek
 Capacitetskurva
 Ydelses karakteristika
 Pumpun ominaiskäyrä
 Pumpekarakteristikk
 Curva di rendimento
 Curva característica de la bomba

Características de performance
 Charakterystyka pompy
 Szivattyú-jelleggörbe
 Charakteristika čerpadla
 Charakteristiky čerpadla
 Χαρακτηριστικό διάγραμμα
 Характеристика насоса
 Karakteristika črpalka
 Obilježja pumpe
 Karakteristika pumpe

Крива характеристики насоса
 Caracteristică pompă
 Pompa karakter eğrisi
 Pompa karakteristika
 Pompa karakteristika
 Pumba karakteristik
 Siurblio charakteristinė kreivė
 Sūkņa raksturliķne



DE Produkthaftung

Wir weisen ausdrücklich darauf hin, dass wir in Übereinstimmung mit dem Produkthaftungsgesetz nicht für Schäden haften, die durch unsere Produkte entstehen, wenn diese unsachgemäß und nicht durch einen von uns autorisierten Servicepartner repariert wurden oder wenn keine Original GARDENA Teile oder von uns zugelassene Teile verwendet wurden.

EN Product liability

In accordance with the German Product Liability Act, we hereby expressly declare that we accept no liability for damage incurred from our products where said products have not been properly repaired by a GARDENA-approved service partner or where original GARDENA parts or parts authorised by GARDENA were not used.

FR Responsabilité

Conformément à la loi relative à la responsabilité du fait des produits défectueux, nous déclarons expressément par la présente que nous déclinons toute responsabilité pour les dommages résultant de nos produits, si lesdits produits n'ont pas été correctement réparés par un partenaire d'entretien agréé GARDENA ou si des pièces d'origine GARDENA ou des pièces agréées GARDENA n'ont pas été utilisées.

NL Productaansprakelijkheid

Conform de Duitse wet inzake productaansprakelijkheid verklaren wij hierbij uitdrukkelijk dat wij geen aansprakelijkheid aanvaarden voor schade ontstaan uit onze producten waarbij deze producten niet zijn gerepareerd door een GARDENA-erkende servicepartner of waarbij geen originele GARDENA-onderdelen of onderdelen die door GARDENA zijn goedgekeurd zijn gebruikt.

SV Produkansvar

I enlighet med tyska produktansvarslagar förklarar vi härmed uttryckligen att vi inte åtar oss något ansvar för skador som orsakas av våra produkter där produkterna inte har genomgått korrekt reparation från en GARDENA-godkänd servicepartner eller där originaldelar från GARDENA eller delar godkända av GARDENA inte använts.

DA Produkansvar

I overensstemmelse med den tyske produktansvarslov erklærer vi hermed udtrykkeligt, at vi ikke påtager os noget ansvar for skader på vores produkter, hvis de pågældende produkter ikke er blevet repareret korrekt af en GARDENA-godkendt servicepartner, eller hvor der ikke er brugt originale GARDENA-reservedele eller godkendte reservedele fra GARDENA.

FI Tuotevastuu

Saksan tuotevastuulain mukaisesti emme ole vastuussa laitteiden vaurioista, jos korjauksia ei ole tehnyt GARDENAn hyväksymä huoltoliike tai jos niiden syyinä on muiden kuin alkuperäisten GARDENA-varaosien tai GARDENAn hyväksymien varaosien käyttö.

IT Responsabilità del prodotto

In conformità con la Legge tedesca sulla responsabilità del prodotto, con la presente dichiariamo espressamente che decliniamo qualsiasi responsabilità per danni causati dai nostri prodotti qualora non siano stati correttamente riparati presso un partner di assistenza approvato GARDENA o laddove non siano stati utilizzati ricambi originali o autorizzati GARDENA.

ES Responsabilidad sobre el producto

De acuerdo con la Ley de responsabilidad sobre productos alemana, por la presente declaramos expresamente que no aceptamos ningún tipo de responsabilidad por los daños ocasionados por nuestros productos si dichos productos no han sido reparados por un socio de mantenimiento aprobado por GARDENA o si no se han utilizado piezas originales GARDENA o piezas autorizadas por GARDENA.

PT Responsabilidade pelo produto

De acordo com a lei alemã de responsabilidade pelo produto, declaramos que não nos responsabilizamos por danos causados pelos nossos produtos, caso os tais produtos não tenham sido devidamente reparados por um parceiro de assistência GARDENA aprovado ou se não tiverem sido utilizadas peças GARDENA originais ou peças autorizadas pela GARDENA.

PL Odpowiedzialność za produkt

Zgodnie z niemiecką ustawą o odpowiedzialności za produkt, niniejszym wyraźnie oświadczamy, że nie ponosimy żadnej odpowiedzialności za szkody poniesione na skutek użytkowania naszych produktów, w przypadku gdy naprawa tych produktów nie była odpowiednio przeprowadzana przez zatwierdzonego przez firmę GARDENA partnera serwisowego lub nie stosowano oryginalnych części GARDENA albo części autoryzowanych przez tę firmę.

HU Termékszavatosság

A németországi termékszavatossági törvénnyel összhangban ezzel nyomatékosan kijelentjük, hogy nem vállalunk felelősséget a termékeinkben keletkezett olyan károkért, amelyek valamely GARDENA által jóváhagyott szervizpartner által nem megfelelően végzett javításból adódtak, vagy amely során nem eredeti GARDENA alkatrészeket vagy a GARDENA által jóváhagyott alkatrészeket használtak fel.

CS Odpovědnost za výrobek

V souladu s německým zákonem o odpovědnosti za výrobek tímto výslovně prohlašujeme, že nepřijímáme žádnou odpovědnost za poškození vzniklá na našich výrobcích, kdy zmíněné výrobky nebyly řádně opraveny schváleným servisním partnerem GARDENA nebo kdy nebyly použity originální náhradní díly GARDENA nebo náhradní díly autorizované společností GARDENA.

SK Zodpovednosť za produkt

V súlade s nemeckými právnymi predpismi upravujúcimi zodpovednosť za výrobok týmto výslovne prehlasujeme, že nenesieme žiadnu zodpovednosť za škody spôsobené našimi výrobkami, v prípade ktorých neboli náležité opravy vykonané servisným partnerom schváleným spoločnosťou GARDENA alebo neboli použité diely spoločnosti GARDENA alebo diely schválené spoločnosťou GARDENA.

EL Ευθύνη προϊόντος

Σύμφωνα με τον γερμανικό νόμο περί Ευθύνης για τα Προϊόντα, με το παρόν δηλώνουμε ρητώς ότι δεν αποδεχόμαστε καμία ευθύνη για τυχόν ζημιές που προκύπτουν από τα προϊόντα μας εάν αυτά δεν έχουν επισκευαστεί σωστά από κάποιον εγκεκριμένο συνεργάτη επισκευών της GARDENA ή εάν δεν έχουν χρησιμοποιηθεί αυθεντικά εξαρτήματα GARDENA ή εξαρτήματα εγκεκριμένα από την GARDENA.

SL Odgovornost proizvajalca

V skladu z nemškimi zakoni o odgovornosti za izdelke, izrecno izjavljajo, da ne sprejemamo nobene odgovornosti za škodo, ki jo povzročijo naši izdelki, če teh niso ustrezno popravili GARDENINI odobreni servisni partnerji ali pri tem niso bili uporabljeni originalni GARDENINI nadomestni deli ali GARDENINIMI homologiranimi nadomestnimi deli.

HR Pouzdanost proizvoda

Sukladno njemačkom zakonu o pouzdanosti proizvoda, ovime izričito izjavljujemo kako ne prihvaćamo nikakvu odgovornost za oštećenja na našim proizvodima nastala uslijed neispravnog popravka od strane servisnog partnera kojeg odobrava GARDENA ili uslijed nekorištenja originalnih GARDENA dijelova ili dijelova koje odobrava GARDENA.

RO Răspunderea pentru produs

În conformitate cu Legea germană privind răspunderea pentru produs, declarăm în mod expres prin prezentul document că nu acceptăm nicio răspundere pentru defecțiunile suferite de produsele noastre atunci când acestea nu au fost reparate în mod corect de un atelier de service partener, aprobat de GARDENA, sau când nu au fost utilizate piese GARDENA originale sau piese autorizate de GARDENA.

BG Отговорност за вреди, причинени от стоки

Съгласно германския Закон за отговорността за вреди, причинени от стоки, с настоящото изрично декларираме, че не носим отговорност за щети, причинени от нашите продукти, ако те не са били правилно ремонтирани от одобрен от GARDENA сервиз или ако не са използвани оригинални части на GARDENA или части, одобрени от GARDENA.

ET Tootevastutus

Vastavalt Saksamaa tootevastutusseadusele deklareerime käesolevaga selgesõnaliselt, et me ei kannu mingisugust vastutust meie toodetest tingitud kahjude eest, kui need tooted ei ole korrektselt parandatud GARDENA heakskiidetud hoolduspartneri poolt või kui parandamisel ei ole kasutatud GARDENA originaalosi või GARDENA volitatud osi.



LT Gaminio patikimumas

Mes aiškiai pareiškiame, kad, atsižvelgiant į Vokietijos gaminių patikimumo įstatymą, neprisiimame atsakomybės dėl bet kokios žalos, patirtos dėl mūsų gaminių, jeigu jie buvo netinkamai taisomi arba jų dalys buvo pakeistos neoriginaliomis GARDENA dalimis ar nepatvirtintomis dalimis, arba jeigu remonto darbai buvo atliekami ne GARDENA techninės priežiūros centro specialistų.

LV Atbildība par produkcijas kvalitāti

Saskaņā ar Vācijas likumu par atbildību par produkcijas kvalitāti ar šo mēs paziņojam, ka neuzņemamies atbildību par bojājumiem, kas radušies, lietojot mūsu izstrādājumus, kuru remontu nav veicis uzņēmuma GARDENA apstiprināts apkopes partneris vai kuru remontam netika izmantotas oriģinālās GARDENA detaļas vai detaļas, kuru lietošanu apstiprinājis uzņēmums GARDENA.

<p>DE EU-Konformitätserklärung</p> <p>Der Unterzeichnende bestätigt als Bevollmächtigter des Herstellers, der GARDENA Germany AB, PO Box 7454, S-103 92, Stockholm, Schweden, dass das (die) nachfolgend bezeichnete(n) Geräte(e) in der von uns in Verkehr gebrachten Ausführung die Anforderungen der harmonisierten EU-Richtlinien, EU-Sicherheitsstandards und produktspezifischen Standards erfüllt/erfüllen. Bei einer nicht mit uns abgestimmten Änderung des (der) Geräte(s) verliert diese Erklärung ihre Gültigkeit.</p>	<p>HU EU megfelelőségi nyilatkozat</p> <p>Az alulírott, a GARDENA Germany AB, Pf. 7454, S-103 92, Stockholm, Svédország megbízott minőségében megerősíti, hogy az átalunk alábbi kivitelben forgalomba hozott, lent nevezett eszköz(ök) megfelel(nek) az unions irányelvekkel összehangba hozott nemzeti előírások követelményeinek, az EU biztonsági szabványainak és a konkrét termékre vonatkozó szabványoknak. Az eszköz(ök)nek velünk nem egyeztetett módosítása esetén ez a nyilatkozat érvényét veszti.</p>
<p>EN EC Declaration of Conformity</p> <p>The undersigned hereby certifies as the authorized representative of the manufacturer, GARDENA Germany AB, PO Box 7454, S-103 92, Stockholm, Sweden, that, when leaving our factory, the unit(s) indicated below is/are in accordance with the harmonised EU guidelines, EU standards of safety and product specific standards. This certificate becomes void if the unit(s) is/are modified without our approval.</p>	<p>CS EU prohlášení o shodě</p> <p>Podepsaná osoba způsobilá výrobem GARDENA Germany AB, PO Box 7454, S-103 92, Stockholm, Švédsko potvrzuje, že v následujícím uvedený(-é) přístroj(-e) v provedení námi uvedeném na trh spĺňajú/splňujú požadavky smernice EU, bezpečnostních norem EU a norem specifických pro výrobek. V případě změny přístroje(-ů), která s námi nebyla dohodnuta, ztrácí toto prohlášení svou platnost.</p>
<p>FR Déclaration de conformité CE</p> <p>Le soussigné déclare, en tant que mandataire du fabricant, la GARDENA Germany AB, PO Box 7454, S-103 92, Stockholm, Suède, qu'à la sortie de ses usines le matériel neuf désigné ci-dessous était conforme aux prescriptions des directives européennes énoncées ci-après et conforme aux règles de sécurité et autres règles qui lui sont applicables dans le cadre de l'Union européenne. Toute modification portée sur ce(s) produit(s) sans l'accord express de notre part supprime la validité de ce certificat.</p>	<p>SK EU vyhlásenie o zhode</p> <p>Dotu podpísaný potvrdzuje, ako splnomocnený zástupca výrobcu, GARDENA Germany AB, PO Box 7454, S-103 92, Stockholm, Švédsko, že ďalej označené zariadenia/a vo vyhlásení uvedenom na trh spĺňajú/ú požiadavky harmonizačných smerníc EU, bezpečnostných štandardov EU a predpisov, špecifických pre dané výrobky. Pri zmene zariadenia/zariadení, ktorá nebola odsúhlasená našou spoločnosťou, stráca toto vyhlásenie platnosť.</p>
<p>NL EU-conformiteitsverklaring</p> <p>De ondergetekende bevestigt als gevolmachtigde van de fabrikant, GARDENA Germany AB, PO Box 7454, S-103 92, Stockholm, Zwen, dat het/ de onderstaand vermelde apparaat/apparaten in de door ons in de handel gebrachte uitvoering voldoet/voldoen aan de eisen van de geharmoniseerde EU-richtlijnen, EU-veiligheidsnormen en productspecifieke normen. Bij een niet met ons afgestemde verandering van het apparaat/de apparaten verliest deze verklaring haar geldigheid.</p>	<p>EL Δήλωση συμμόρφωσης ΕΕ</p> <p>Ο υπογεγραμμένος βεβαιώνει ως πληρεξούσιος του κατασκευαστή, της εταιρείας GARDENA Germany AB, T.G. 7454, S-103 92, Στοκχόλμη, Σουηδία, ότι η (οι) παρακάτω αναφερόμενη(ες) συσκευή(ές) που τίθεται(ται) από εμάς σε κυκλοφορία πληροί/πληρούν(τ) τις απαιτήσεις των εναρμονισμένων οδηγιών της ΕΕ, πρώτων ασφαλείας της ΕΕ και των ειδικών για το προϊόν πρώτων. Σε περίπτωση τροποποίησης της (των) συσκευή(ών) χωρίς προηγούμενη συνηνόηση με την εταιρεία μας παύει να ισχύει η δήλωση.</p>
<p>SV EU-försäkran om överensstämmelse</p> <p>Undertecknad intygar som befulldäktad förtecknare för tillverkaren, GARDENA Germany AB, PO Box 7454, S-103 92, Stockholm, Sverige, att nedan angiven apparat/nedan angivna apparater i den utförande vi har släppt på marknaden, uppfyller fördringarna i de harmoniserade EU-direktiv, EU-säkerhetsstandarderna och de produktspecifika standarderna. Denna försäkran upphör att gälla vid en ändring av apparaten/apparaterna som inte har stämts av med oss.</p>	<p>SL Izjava EU o skladnosti</p> <p>Spodaj podpisani kot pooblaščenec proizvajalca GARDENA Germany AB, PO Box 7454, S-103 92, Stockholm, Švedska, potrjuje, da v nadaljevanju označene naprave v izvedbi, v kakršni smo jih dali v promet, izpolnjuje zahteve uskladenih direktiv EU, varnostnega standarda EU in standardov, ki veljajo za posamezne izdelke. V primeru spremembe naprave, ki ni usklajena z nami, ta izjava neha veljati.</p>
<p>DA EU-overensstemmelseerklæring</p> <p>Underskriveren bekræfter som fuldmægtig for producenten, GARDENA Germany AB, PO Box 7454, S-103 92, Stockholm, Sverige, at den (de) efterfølgende betegnede apparat(er) i den af os markedsførte udførelse opfylder kravene i de harmoniserede EU-direktiver, EU-sikkerhedsstandarder og produktspecifikke standarder. Foretagets en ændring af apparatet/apparatene, der ikke er aftalt med os, mister denne erklæring sin gyldighed.</p>	<p>HR EU izjava o sukladnosti</p> <p>Dojle potpisani kao opunomoćenik proizvođača, tvrtke GARDENA Germany AB, PO Box 7454, S-103 92, Stockholm, Švedska, potvrđujemo da niže navedeni uređaji(i) odgovarajuće izvedbe koje/kolje smo iznijeli na tržište ispunjavaju kriterije usklađenih direktiva EU i sigurnosnih standarda EU kao i standarda koji se tiču proizvoda. Ova izjava gubi valjanost u slučaju izmjena uređaja koje nisu prethodno ugovorene s nama.</p>
<p>FI EU-vaatimustenmukaisuusvakuutus</p> <p>Allakirjoittanut vahvistaa valmistajien, GARDENA Germany AB, PO Box 7454, S-103 92, Tukholma, Ruotsi, valmistamansa henkilöinä, että seuraava laite täyttää/ seuraavat laitteet täyttävät meidän toimittamassamme valmistetun EU-direktiivien, EU-turvallisuusmääräysten ja tuotekohtaisten standardien vaatimukset. Laitteen/laitteiden muutoksissa, joista ei ole sovittu meidän kanssamme, menettää tämä selvitys voimaansaolonsa.</p>	<p>RO Declarație de conformitate UE</p> <p>Semnatarul, in calitate de se împuternicit al producătorului GARDENA Germany AB, PO Box 7454, S-103 92, Stockholm, Suedia, confirmă că aparatul (aparatele) descrise în cele ce urmează, în execuția pusă de noi pe piață îndeplinesc (îndeplinesc) cerințele directivei/lor armonizate UE, ale standardelor de siguranță UE și ale standardelor specifice produsului. În cazul modificării fără aprobarea noastră prealabilă a aparatului (aparator), acasă declarație își pierde valabilitatea.</p>
<p>IT Dichiarazione di conformità UE</p> <p>Il sottoscritto, in quanto soggetto autorizzato dal produttore, GARDENA Germany AB, PO Box 7454, S-103 92, Stoccolma, Svezia, dichiara che l'apparecchio/gli apparecchi di seguito denominato/i, nella versione da noi immessa in commercio, soddisfa/no i requisiti delle direttive UE armonizzate, degli standard di sicurezza europei e degli standard specifici per il prodotto. La presente dichiarazione perde di validità in caso di modifica dell'apparecchio/degli apparecchi non concordata con noi.</p>	<p>BG ЕС-Декларация за съответствие</p> <p>Допълнителният утвърдителят като пълномощник на производителя GARDENA Germany AB, PO Box 7454, S-103 92, Стокхолм, Швеция, че по-долу описаният(ите) уред(и) във варианта на изпълнение пуснат от нас на пазара изпълнява/изпълняват изискванията на хармонизираните ЕС-директиви, ЕС-норми за безопасност и специфичните норми за продукцията. В случай на промяна на уред(ите), която не е съгласувана с нас, тази декларация губи своята валидност.</p>
<p>ES Declaración de conformidad de la UE</p> <p>El firmante confirma, en calidad de apoderado del fabricante GARDENA Germany AB, PO Box 7454, S-103 92 Estocolmo (Suecia), que el/ los aparato(s) mencionado(s) a continuación cumple(n), en la versión lanzada al mercado por nuestra empresa, los requisitos de las directivas de la UE armonizadas, los estándares de seguridad de la UE y los estándares específicos del producto. La presente declaración perderá su validez si se modifica(n) el/ los aparato(s) sin previa aprobación por nuestra parte.</p>	<p>ET EL-I vastavusdeklaratsioon</p> <p>Allakirjutatu kinnitab tootja, GARDENA Germany AB, PO Box 7454, S-103 92, Stockholm, Rootsi, poolt valmistatud isikuna, et järgnevalt nimetatud seade (seadmed) täidab (täidavad) meie poolt turule toodud versiooni kujul harmoniseeritud EL-i direktiivide, EL-i ohutusstandardite ja tootepõhiste standardite nõudised.</p> <p>Seadme (seadmete) meiega kooskõlastamata muudatuste tegemise korral kaotab käesolev deklaratsioon oma kehtivuse.</p>
<p>PT Declaração CE de Conformidade</p> <p>O abaixo-assinado, na qualidade de representante do fabricante, GARDENA Germany AB, PO Box 7454, S-103 92, Stockholm, Schweden, confirma que o(s) aparelho(s) a seguir designado(s) no modelo lançado por nós no mercado cumpre/cumprem os requisitos das diretivas UE harmonizadas, as normas de segurança UE e as normas específicas para estes produtos. Esta declaração perde a sua validade se forem realizadas alterações no(s) aparelho(s) sem o nosso consentimento.</p>	<p>LT ES atitikties deklaracija</p> <p>Pasirašantis, kaip gamintojo, GARDENA Germany AB, PO Box 7454, S-103 92, Stokholmas, Švedija, įgaliotasis atstovas patvirtina, kad žemiau nurodyto (-ų) prietaiso (-ų) modelio, kurie buvo pagaminti mūsų gamykloje, atitinka darnuosius ES direktyvų, ES saugumo standartus ir specifinius gamintojo standartus.</p> <p>Atlikus bet kokį pakeitimą (-ų) pakeitimą, kuris nėra suderintas su mumis, ši deklaracija praranda galiojimą.</p>
<p>PL Deklaracja zgodności UE</p> <p>Niżej podpisywany potwierdza jako upoważniony przedstawiciel producenta, spółki GARDENA Germany AB, PO Box 7454, S-103 92, Stokholm, Szwecja, że określone poniżej urządzenie/-nia w wersji wprowadzonej przez nas do obrotu spełnia/-niają wymogi zharmonizowanych dyrektyw UE, norm bezpieczeństwa UE oraz norm dotyczących konkretnych produktów. Niniejsza deklaracja traci ważność w przypadku wprowadzania niezgodnych z nami zmian urządzenia/ri.</p>	<p>LV ES atbilstības deklarācija</p> <p>Zemā parakšiniešs persona kā rādītāja, uzņēmuma GARDENA Germany AB, PO Box 7454, S-103 92, Stokholma, Zviedrija, pilnvarotais pārstāvis apstiprina, ka tālāk norādītaj(-s) ierīcē(-s) izpildījumā, kādā mēs to (tās) esam laidījuši tirgū, atbilst saskaņotajām ES direktīvām, ES drošības standartiem un konkrētajām produktam noteiktajām standartiem.</p> <p>Ierīcē(-s) veicot ar mums nesaskaņotus izmaiņus, šī deklarācija zaudē savu spēku.</p>

Produktbezeichnung: Klarwasser-Tauchpumpe / Schmutzwasser-Tauchpumpe Description of the product: Clear Water Submersible Pump / Dirty Water Submersible Pump Désignation du produit : Pompe d'évacuation pour eaux claires / Pompe d'évacuation pour eaux sales Beschrijving van het product: Schoonwaterpomp / Vuilwaterpomp Beskrivning av produkten: Dränklar pump för rent vatten / Dränklar pump för smutsvatten Beskrivelse af produktet: Rentvands-dykpumpe / Spildevands-dykpumpe Tuotteen kuvaus: Puhtaan veden uppoppumppu / Likaveden uppoppumppu Descrizione del prodotto: Pompa sommersa per acqua pulita / Pompa sommersa per acqua sporca Descrição do produto: Bomba sumergible para agua limpa / Bomba sumergible para agua residual Descrição do produto: Bomba submersível de água limpa / Bomba submersível de água suja Opis produktu: Pompa zanurzeniowa do czystej wody / Pompa zanurzeniowa do brudnej wody A termék leírása: Bűvárszivattyú tiszta vízhez / Bűvárszivattyú szennyezett vízhez Opis proizvoda: Ponorné čerpadlo na čistu vodu / Ponorné čerpadlo na špinavou vodu Описание на продукта: Понорно чръпало на чиста вода / Понорно чръпало на замязано вода Toote kirjeldus: Υποβρύχια αντλία καθαρού νερού / Υποβρύχια αντλία λυμάτων Opis proizvoda: Potopna črpalka za čisto vodo / Potopna črpalka za umazano vodo Descrierea produsului: Uronska pumpa za čistu vodu / Uronska pumpa za prljavu vodu Описание на продукта: Помпа submersibilă pentru apă curată / pompa submersibilă pentru apă murdară Gaminio aprašas: Панардинамас сvaraus vandens siurblys / Панардинамас purvino vandens siurblys Izstrādājuma apraksts: Selge vee sukelpump / Reovee sukelpump legremdějamais tirā ūdens sūkņis / legremdějamais notekūdens sūkņis			
Produkttyp: Termék típus: Artikelnummer: Cikkszámok: Anbringungsjahr der CE-Kennzeichnung: Godina dobivanja CE oznake: Product type: Druh výrobku: Article number: Objednací číslo: CE-Kennzeichnung: Anul de marcare CE: Type de produit : Typ produktu: Référence : Objednávacie číslo: Year of CE marking: Година на поставяне на CE-маркировка: Producttype: Τύπος Artikelnummer: Κωδικός είδους: Année d'apposition du marquage CE : CE-маркировка: Produkttyp: προϊόντος: Artikelnummer: Številka izdelka: Installatiejaar van de CE-aanduiding: CE-маркировка: Produkttyp: Vrsta izdelka: Artikelnummer: Kataloški broj: Mærkingsår: CE-merkinn kiinnitysvuosi: Tuotetyyppi: Vrsta proizvoda: Tuotenumero: Cod articol: CE-Mærkningsår: CE-merkinn kiinnitysvuosi: Tipo di prodotto: Tip produs: Codice articolo: Artiklinumber: Anno di applicazione della certificazione CE: Colocación del distintivo CE: Tipo de producto: Тип продукт: Referencia: Artiklinumber: Ano de marcação pela CE: Rok nadania oznakowania CE: Tipo de producto: Gaminio tipas: Número de referencia: Dalies numeris: CE-jelzés elhelyezésének éve: Rok umístění značky CE: Typ produktu: Produkta veids: Numer katalogovy: Artikula numurs: Leto namesitve CE-oznake: Rok udelenia značky CE: Έτος σήματος CE: Leto namesitve CE-oznake:	11000 AS CLEAR 17000 AS CLEAR 20000 AS DIRT	9034 9036 9044	2020
EU-Richtlinien: EC-Directives: Directives CE : EG-richtlijnen: EU-direktív: EF-direktíver: EY-direktívit: Direktive UE: Directiva CE: Directivas CE: Dyrektywy WE: EK-irányelvek: Priedpisy ES: Smernice EU:	Οδηγίες EK: Direktive EU: EC direktive: Directive CE: Директиви на ЕО: EU direktívit: EB direktivos: EK direktivas:	2011/65/EU 2014/30/EU 2014/35/EU	Der Bevollmächtigte Authorised representative Le mandataire De gevolmachtigde Auktoriserad representant Autoriseret repræsentant Valtuutettu edustaja Persona delegata La persona autorizada O reprezentante Pehnomocnik Meghatalmazott Zpohnomocnēnc Splnomocnený O εξουσιοδοτημένος Pooblaščenec Ovlaštena osoba Conducerea tehnică Упълномощен Volitatud esindaja Įgaliotasis atstovas Pilnvarotā persona
Harmonisierte EN-Normen / Harmonised EN:	EN ISO 12100 EN 60335-1 EN 60335-2-41		
Hinterlegte Dokumentation: GARDENA-Technische Dokumentation, M. Kugler, 89079 Ulm Deposited Documentation: GARDENA Technical Documentation, M. Kugler, 89079 Ulm Documentation déposée: Documentation technique GARDENA, M. Kugler, 89079 Ulm	 Reinhard Pompe Vice President	 Wolfgang Engelhardt Vice President Supply Chain	

Deutschland / Germany
GARDENA Manufacturing GmbH
Central Service
Hans-Lorenser-Straße 40
D-89073 Ulm
Produktfragen:
(+49) 731 490-123
Reparaturen:
(+49) 731 490-290
service@gardena.com
http://www.gardena.com

Albania
KRAFT SHPK
Autostrada Tirane-Durres
Km 7
1051 Tirane
Phone: (+355) 69 877 7821
info@kraft.al

Argentina
ROBERTO C. RUMBO S.R.L.
Predio Norlog
Lote 7
Benavidez, ZC: 1621
Buenos Aires
ventas@rumbosrl.com.ar

Armenia
AES Systems LLC
Marshall Babajanyan Avenue 56/2
0022 Yerevan
Phone: (+374) 60 651 651
massohanyan@icloud.com

Australia
Husqvarna Australia Pty. Ltd.
Locked Bag 5
Central Coast BC
NSW 2252
Phone: (+61) (0) 2 4352 7400
customer.service@
husqvarna.com.au

Austria / Österreich
Husqvarna Austria GmbH
Industriezeile 36
4010 Linz
Tel.: (+43) 732 737 01 01-485
service.gardena@
husqvarnagroup.com

Azerbaijan
Proqres Xüsusi Firması
Aliyar Aliyev 212, Bakı, Azerbaijan
Sales: +994 70 326 07 14
AfterSales: +994 77 326 07 14
www.progress-garden.az
info@progress-garden.az

Bahrain
M.H. Al-Mahroos
BUILDING 208, BLOCK 356,
ROAD 328
Salihiya
Phone: +973 1740 8090
almahroos@almahroos.com

Belarus / Беларусь
ООО «Мастер Гарден»
220118, г. Минск,
улица Шаранговича, дом 7а
Тел. (+375) 17 257 00 33
mg@mastergarden.by

Belgium
Husqvarna Belgium nv
Gardena Division
Leuvensesteenweg 542
Planet II E
1930 Zaventem
België

Bosnia / Hercegovina
Silk Trade d.o.o.
Poslovna Zona Vila Br. 20
Phone: (+387) 61 165 593
info@silktrade.com.ba

Brazil
Nordtech Maquinas e Motores Ltd.
Avenida Juscelino Kubitschek de
Oliveira
Curitiba
3003 Brazil
Phone: (+55) 41 3595-9600
contato@nordtech.com.br
www.nordtech.com.br

Bulgaria
AGROLAND България АД
Бул. 8 Декември, № 13
0220 Брч 5
1700 Студентски град
София
Тел.: (+359) 24 66 6910
info@agroland.eu

Canada / USA
GARDENA Canada Ltd.
100 Summerlea Road
Brampton, Ontario L6T 4X3
Phone: (+1) 905 792 93 30
info@gardenaCanada.com

Chile
REPRESENTACIONES JCE S.A.
2286 Avenida General Oscar Bonilla
Concepcion
Phone: (+56) 2 2414 2600
contacto@jce.cl

China
Husqvarna (Shanghai)
Management Co., Ltd.
富世华 (上海) 管理有限公司
3F, Benq Square B,
No.207, Song Hong Rd.,
Chang Ning District,
Shanghai, P.R.C. 200335
上海市长宁区淞虹路207号明
基广场B座3楼, 邮编: 200335

Colombia
Equipos de Toyma Colombia SAS
Cra. 68 D N° 25 B 86 Of. 618
Edificio Torre Central
Bogota
Phone: +57 (1) 703 9520
+57 (1) 703 9522
servicioalcliente@toyma.com.co
www.toyma.com.co

Costa Rica
Exim CIA Costa Rica
Calle 25A, B°. Montealegre
Zapote
San José
Costa Rica
Phone: (+506) 2221-5654
+506) 2221-5659
eximcostarica@gmail.com

Croatia
Husqvarna Austria GmbH
Industriezeile 36
4010 Linz
Phone: (+43) 732 77 01 01-485
service.gardena@
husqvarnagroup.com

Cyprus
Pantelis Papadopoulos S.A.
92, Athinon Avenue
Athens
10442 Greece
Phone: (+30) 21 0519 3100
info@papadopoulos.com.gr

Czech Republic
Gardena
Service Center Vrbo
c/o Husqvarna
Manufacturing CZ s.r.o.
Jesenická 146
79326 Vrbo pod Pradedem
Phone: 800 100 425
servis@gardena.cz

Denmark
GARDENA DANMARK
Lejrevej 19, st.
3500 Værløse
Tlf: (+45) 70 26 47 70
husqvarna@husqvarna.dk
www.gardena.com/dk

Dominican Republic
BOSQUESA S.R.L
Carrera Santiago Lincey
Km. 5 ½
Esquina Copal II.
Santiago De Los Caballeros
51000 Dominican Republic
Phone: (+1) 809-562-0476
contacto@bosquesa.com.do

Egypt
Universal Agencies Co
26, Abdel Hamid Lotfy St.
Giza
Phone: 3 761 57 57
https://gardeningegypt.com/
hany.masoud@univag.org

Estonia
Husqvarna Eesti OÜ
Valdeku 132
EE-11216 Tallinn
info@gardena.ee

Finland
Oy Husqvarna Ab
Gardena Division
Lautatarhankatu 8 B / PL 3
00581 HELSINKI
www.gardena.fi

France
Husqvarna France
9/11 Allée des Pierres mayettes
92635 Gennevilliers Cedex
France
http://www.gardena.com/fr
N° AZUR: 0 810 00 78 23
(Prix d'un appel local)

Georgia
Transporter LLC
#70, Belashvili street
0159 Tbilisi, Georgia
Number: (+995) 322 14 71 71
info@transporter.com.ge
www.transporter.com.ge

**Service Address and
Importer to Great Britain**
Husqvarna UK Ltd
Preston Road
Aycliffe Industrial Park
Newton Aycliffe
County Durham
DL5 6UP
Phone: (+44) (0) 344 844 4558
info.gardena@husqvarna.co.uk

Greece
Π.ΠΑΠΑΔΟΠΟΥΛΟΣ ΑΕΒΕ
Λεωφ. Αθηνών 92
Αθήνα
T.K.104 42
Ελλάδα
Τηλ. (+30) 210 5193 100
info@papadopoulos.com.gr

Hong Kong
Tung Tai Company
151-153 Hoi Bun Road
Kwun Tong, Kowloon
Hong Kong
Phone: (+852) 3583 1662
admin@tungtaico.com

Hungary
Husqvarna Magyarországi Kft.
Ezred u. 1 – 3
1044 Budapest
Phone: (+36) 1 251-4161
vevoszolgalat.husqvarna@
husqvarna.hu

Iceland
BYKO ehf.
Skemmuvegi 2a
200 Kópavogur
Phone: (+354) 515 4000
byko@byko.is

MHG Verslun ehf
Vikurhvarf 8
203 Kópavogur
Phone: (+354) 544 4656

India
B K RAMAN AND CO
Plot No. 185, Industrial Area,
Phase-2, Ram Darbar
Chandigarh
160002 India
Phone: (+91) 98140 06530
raman@jaganhardware.com

Iraq
Alshiemal Alakhdar Company
Al-Faysaleiah, Near Estate Bank
Mosul
Phone: (+964) 78 18 18 4675

Ireland
Lifey Distributors Ltd.
309 NW Business Park, Ballycoolen
15 Dublin
Phone: (+353) 1 824 2600
info@lifey.com

Israel
HAGARIN LTD.
2 Nahal Harif St.
8122201 Yavne
internet@hagarin.co.il
Phone: (+972) 8-932-0400

Italy
Husqvarna Italia S.p.A.
Via Santa Vecchia 15
23868 VALMADRERA (LC)
Phone: (+39) 0341.203.111
assistenza.italia@it.husqvarna.com

Japan
Husqvarna Zenoah Co. Ltd. Japan
1-9 Minamidai, Kawagoe
350-1165 Saitama
Japan
gardena-jp@husqvarnagroup.com

Kazakhstan
ТОО "Ламед"
Russian
Адрес: Қазақстан, г. Алматы,
ул. Тажибаяевой, 155/1
Тел.: (+7) (727) 355 64 00
(+7) (700) 355 64 00
lamed@lamed.kz

Kazakh
Мекен-жайы: Қазақстан,
Алматы қ.,
көш. Тәжібаяевой, 155/1
Тел.: (+7) (727) 355 64 00
(+7) (700) 355 64 00
lamed@lamed.kz

Korea
Kyung Jin Trading Co., Ltd
107-4, Sunduk Bldg, Yangjae-Dong
Secho-Gu
137-891 Seoul
Phone: (+82) 2 574 6300
kjh@kjh.co.kr

Kuwait
Palms Agro Production Co
Al Rai- Fourh Ring Road – Block 56.
P.O Box: 1978 Safat
13020 Al-Rai
Phone: 24 73 07 45
info@palms-kw.com

Kyrgyzstan
ООСО Алые Мали
Av. Moladaya Guardia 83
720014 Bishkek
Phone: (+996) 312 322115

Latvia
Husqvarna Latvija SIA
Ulbrokas 19A
LV-1021 Riga
info@gardena.lv

Lebanon
Technomec
Safra Highway (Beirut – Tripoli) Center
622 Mezher Bldg.
P.O.Box 215
Jounieh
Phone: (+961) 9 853527
(+961) 3 855481
tecnomec@idm.net.lb

Lithuania
UAB Husqvarna Lietuva
Atelies pl. 77C
LT-52104 Kaunas
info@gardena.lt

Luxembourg
Magasins Jules Neuberger
39, rue Jacques Stas
Luxembourg-Gasperich 2549
Case Postale No. 12
Luxembourg 2010
Phone: (+352) 40 14 01
api@neuberger.lu

Malaysia

Glomedic International Sdn Bhd
Jalan Riang No. 30
Shah Alam, Selangor
40150 Malaysia
Phone: (03)-7734 7997
oase@glomedic.com.my

Malta

I.V. Portelli & Sons Ltd.
85, 86, Triq San Pawl
Rabat - RBT 1240
Phone: (+356) 2145 4289

Mauritius

Espace Maison Ltée
La City Trianon, St Jean
Quatre Bornes
Phone: (+230) 401 6950
info@espacemaison.mu

Mexico

AFOSA
Av. Lopez Mateos Sur # 5019
Col. La Calma 45070
Zapopan, Jalisco, Mexico
Phone: (+52) 33 3818-3434
isolis@afosa.com.mx

Moldova

Convel SRL
Republica Moldova,
mun. Chisinau,
str. Muncastri 284
Phone: (+379) 22 857 126
www.convel.md

Mongolia

Soyolj Gardening Shop
Namiin Rd
Ulaanbaatar
14230 Mongolia
Phone: +976 7777 5080
soyolj@magicnet.mn

Morocco

Proekip
64 Rue de la Participation
Casablanca-Roches Noires
23003 Morocco
Phone: (+212) 661342107
hicham.fafani@proekip.ma

Netherlands

Husqvarna Nederland B.V.
GARDENA Division
Postbus 50131
1305 AC ALMERE
Phone: (+31) 36 521 00 10
info@gardena.nl

Neth. Antilles

Jonka Enterprises N.V.
Sta. Rosa Weg 196
P.O. Box 8200
Curaçao
Phone: (+599) 9 767 66 55
info@jonka.com

New Zealand

Husqvarna New Zealand Ltd.
PO Box 76-437
Manukau City 2241
Phone: (+64) (0) 9 9202410
support.nz@husqvarna.co.nz

North Macedonia

Sinpeks d.o.o.
Ul. Kravarski Pat Bb
7000 Bitola
Phone: (+389) 47 20 85 00
sinpeks@mt.net.mk

Norway

Husqvarna Norge AS
Gardena Division
Trøskenveien 36
1708 Sarpsborg
info@gardena.no

Northern Cyprus

Mediterranean Home & Garden
No 150 Alsancak, Karaoglanoglu
Caddesi
Gime
Phone: (+90) 392 821 33 80
info@medgardener.com

Oman

General Development Services
PO 1475, PC - 111
Seab
111 Oman
Phone: 968 2458 28 16
gdsoman@gdsoman.com

Paraguay

Agrofield SRL
AV. CHOFFERES DEL CHACO
1449 C/25 DE MAYO
Asuncion
Phone: (+595) 21 608 656
consultas@agrofield.com.py

Peru

Sierras y Herramientas
Forestal SAC
Av. Las Gaviotas 833, Chorrillos
Lima
Phone: (+51) 1 252 0252
supervisorventas1@siersac.com
www.siersac.com

Philippines

Royal Dragon Traders Inc
10 Linaw Street, Barangay Saint
Peter
Quezon City
1114 Philippines
Phone: (+63) 2 7426893
aida.fernandez@rdti.com.ph

Poland

Gardena
Service Center Vrbno
c/o Husqvarna
Manufacturing CZ s.r.o.
Jesenická 146
79326 Vrbno pod Pradedem
Czech Republic
Phone: (22) 336 78 90
servis@gardena.pl

Portugal

Husqvarna Portugal, SA
Lagoa - Albarraque
2635 - 595 Rio de Mouro
Phone: (+351) 21 922 85 30
Fax : (+351) 21 922 85 36
info@gardena.pt

Romania

Madex International Srl
Soseaua Odaii 117 - 123,
RO 013803 Bucuresti, S1
Phone: (+40) 21 352 7603
madex@ines.ro

Russia/Россия

ООО „Хускарна“
141400, Московская обл.,
г. Химки,
улица Ленинградская,
владение 39, стр.6
Бизнес Центр
„Химки Бизнес Парк“,
помещение ОВ02_04
http://www.gardena.ru

Saudi Arabia

SACO
Takhassusi Main Road
P.O. Box: 86387
Riyadh 12863
40011 Saudi Arabia
Phone: (966) 11 482 8877
webmaster@saco-ksa.com

Serbia

Domel d.o.o.
Slobodana Đurica 21
11000 Belgrade
Phone: (+381) 11 409 57 12
office@domel.rs

Singapore

Hy-Ray PRIVATE LIMITED
40 Jalan Pemimpin
#02-08 Tat Ann Building
Singapore 577185
Phone: (+65) 6253 2277
info@hyray.com.sg

Slovak Republic

Gardena
Service Center Vrbno
c/o Husqvarna
Manufacturing CZ s.r.o.
Jesenická 146
79326 Vrbno pod Pradedem
Phone: 0800 154044
servis@gardena.sk

Slovenia

Husqvarna Austria GmbH
Industriezeile 36
4010 Linz
Phone: (+43) 732 77 01 01-485
service.gardena@
husqvarnagroup.com

South Africa

Husqvarna South Africa (Pty) Ltd
Lifestyle Business Park – Ground
Floor Block A
Cnr Beyers Naude Drive and
Ysterhout Road
Randpark Ridge, Randburg
Phone: (+27) 10 015 5750
service@gardena.co.za

Spain

Husqvarna España S.A.
Calle de Rivas nº 10
28052 Madrid
Phone: (+34) 91 708 05 00
atencioncliente@gardena.es

Sri Lanka

Hunter & Company Ltd.
130 Front Street
Colombo
Phone: 94-11 232 81 71
hunters@eureka.lk

Suriname

Deto Handelmaatschappij N.V.
Kernkampweg 72-74
P.O. Box: 12782
Paramaribo
Suriname
Phone: (+597) 438050
info@deto.sr

Sweden

Husqvarna AB /
GARDENA Sverige
Drottninggatan 2
561 82 Huskvarna
Sverige
Phone: (+46) (0) 36-14 60 02
info@gardena.se

Switzerland/Schweiz

Husqvarna Schweiz AG
Consumer Products
Industriestrasse 10
5506 Mägenwil
Phone: (+ 41) (0) 62 887 37 90
info@gardena.ch

Taiwan

Hong Ying Trading Co., Ltd.
No. 46 Wu-Kun-Wu Road
New Taipei City
Phone: (+886) (02) 2298 1486
salesg1@7friends.com.tw

Tajikistan

ARIERS JV LLC
39, Ayni Street, 734024
Dushanbe, Tajikistan

Thailand

Spica Co. Ltd
243/2 Onnuch Rd., Prawat
Bangkok
10250 Thailand
Phone: (+66) (0)2721 7373
surapong@spica-siam.com

Tunisia

Société du matériel agricole
et maritime
Nouveau port de peche de Sfax
Bp 33
Sfax
3065 Tunisia
Phone: (+216) 98 419 047 / (+216)
74 497 614
www.smartunisia.com

Turkey

Dost Bahçe
Yunus Mah. Adil Sk. No:3
Kartal
Istanbul
34873 Turkey
Phone: (+90) 216 389 39 39
info@dostbahce.com.tr
www.dostbahce.com.tr

Turkmenistan

I.E. Orazmuhammedov
Nurmuhammet
80 Ataturk, BERKARAR Shopping
Center,
Ground floor, A77b,
Ashgabat 744000
TURKMENISTAN
Phone: (+993) 12 468859
Mob: (+993) 62 222887
info@jayhyzmat.com /
bekgiyev@jayhyzmat.com
www.jayhyzmat.com

UAE

Al-Futtaim ACE Company
L.L.C Building, Al Rebat Street
Festival City, Dubai
7880 UAE
Phone: (+971) 4 206 6700
ace@alfuttaim.ae

Ukraine/Україна

AT «Альдерст»
вул Петропавлівська 4
08130, Київська обл.
Києво-Святошинський
р-н, с. Петропавлівська
Борщагієвка
Україна
Тел.: (+38) 0 800 503 000

Uruguay

FEL SA
Entre Rios 1083
11800 Montevideo
Phone: (+598) 22 03 18 44
info@felisa.com.uy

Uzbekistan

AGROHOUSE MChJ
O'zbekiston, 111112
Toshkent viloyati
Toshkent tumani
Hasanboy OFY, THAY yoqasida
Phone: (+998)-93-5414141
(+998)-71-2096868
info@agro.house
www.agro.house

Vietnam

Vision Joint Stock Company
No. 09, Lot E2/D21, Ton That Thuy
Street, Dich Vong Hau Commune
Cau Giay District, Hanoi
Phone: (+8424)-38462833/34
quynhnm@visionjsc.com.vn

Zimbabwe

Cutting Edge
159 Citroen Rd, Msasa
Harare
Phone: (+263) 8677 008685
sales@cuttingedge.co.zw

9034 20.960.04/0322
© GARDENA Manufacturing GmbH
D-89079 Ulm
http://www.gardena.com