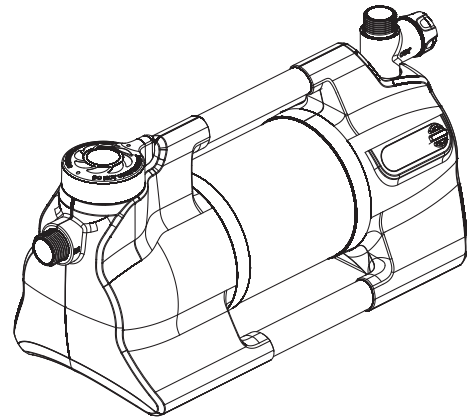


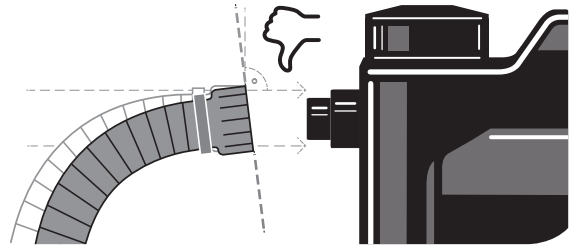
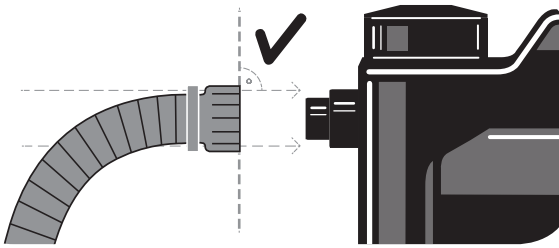
5600 Silent+ **Art. 9057**



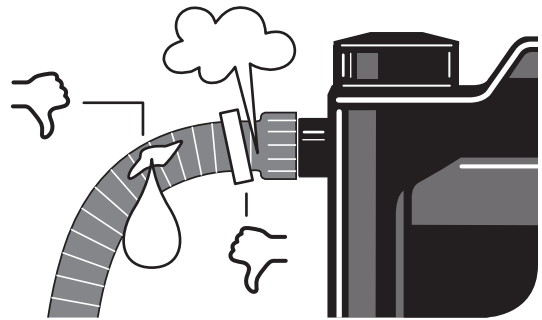
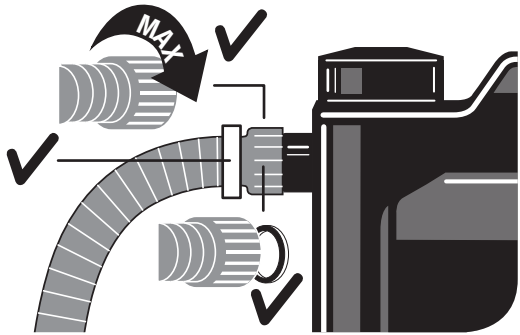
6300 SilentComfort
6500 SilentComfort

Art. 9058
Art. 9059

A1

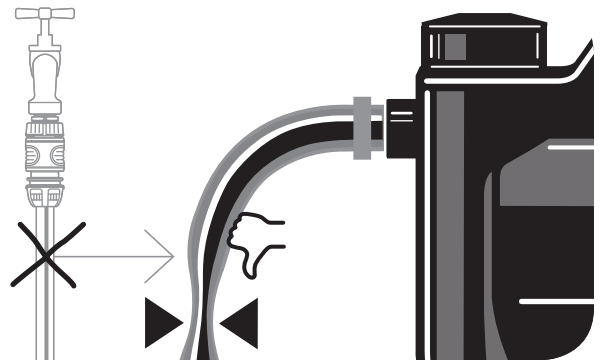
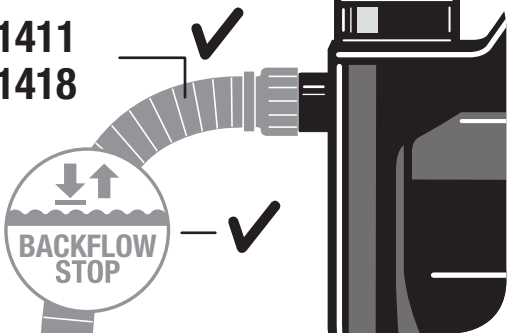


A2



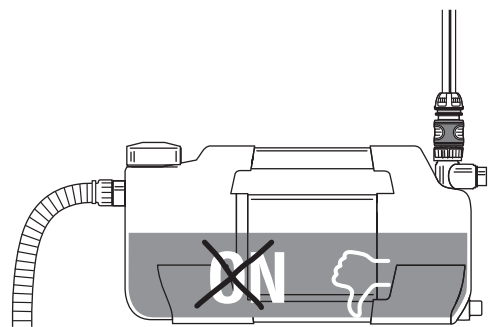
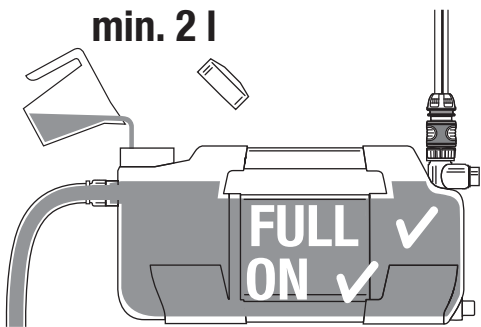
A3

Art. 1411
Art. 1418

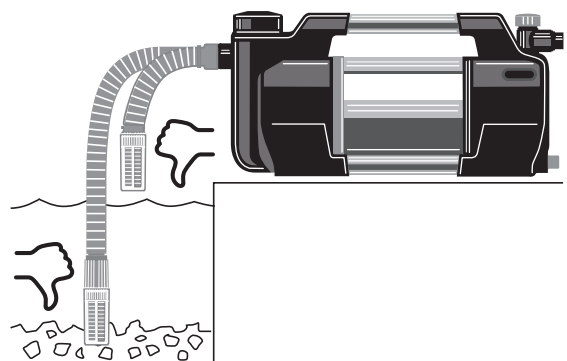
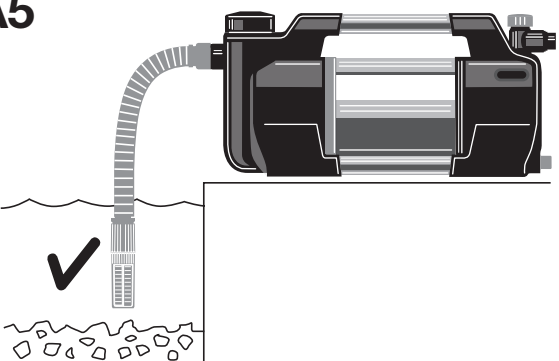


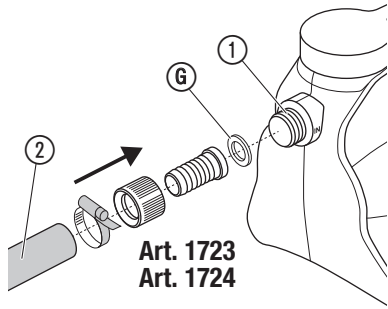
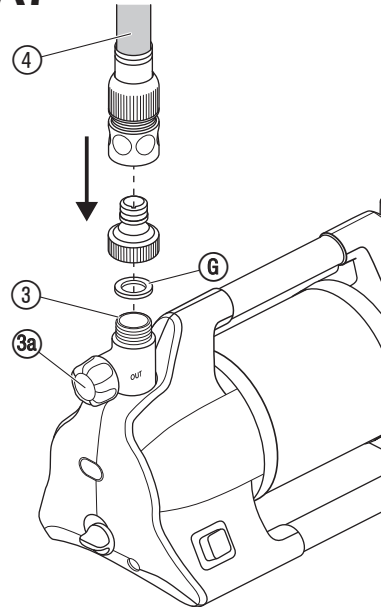
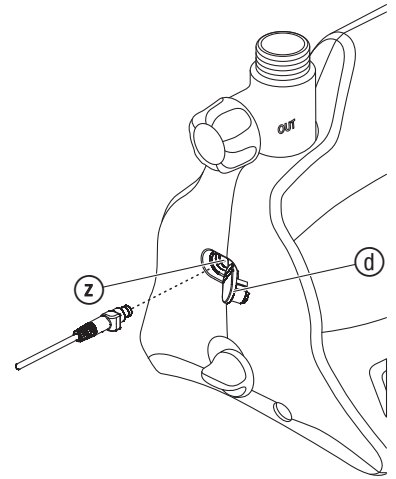
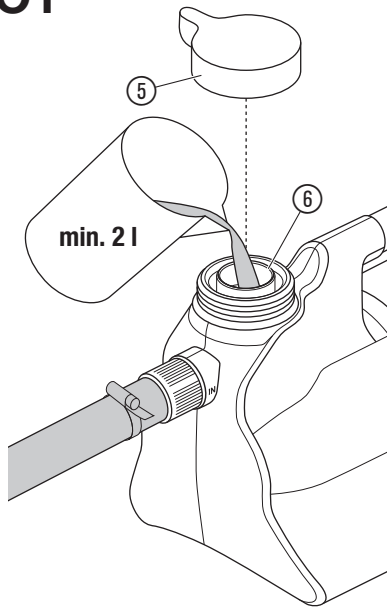
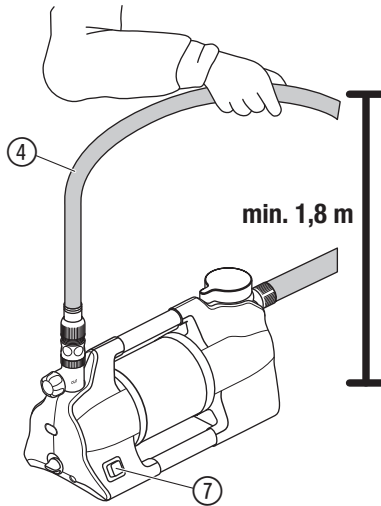
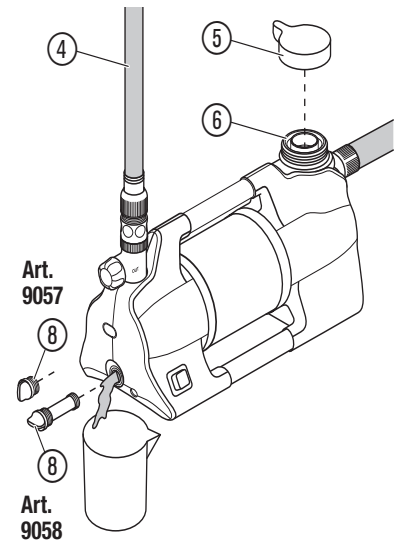
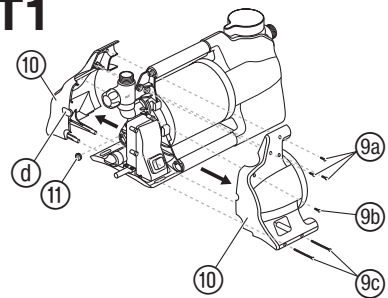
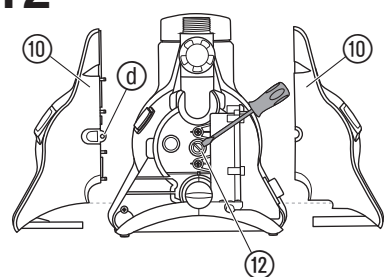
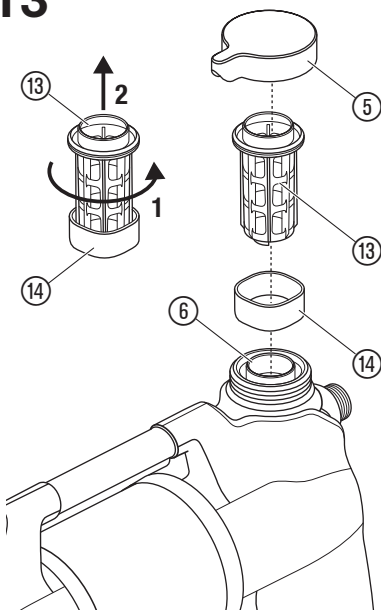
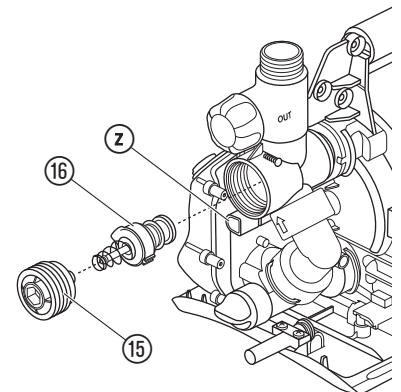
A4

min. 2 l



A5



A6**A7****A8****O1****O2****S1****T1****T2****T3****T4**

1. SAFETY WARNINGS	9
2. ASSEMBLY	10
3. OPERATION	11
4. MAINTENANCE	12
5. STORAGE	12
6. TROUBLESHOOTING	12
7. TECHNICAL DATA	13
8. ACCESSORIES/SPARE PARTS	13
9. SERVICE	14
10. DISPOSAL	14

Translation of the original instructions.

1. SAFETY WARNINGS

1.1 Explanation of the symbols



Read operator's manual.

1.2 General safety warnings

1.2.1 General pump safety warnings



DANGER!
Electric shock!
Risk of injury due to electric current.
→ The product must be supplied through a residual current device (RCD) having a rated residual operating current not exceeding 30 mA.
→ Disconnect the product from the mains before you put into storage, maintain it or replace parts. Thereby the disconnected socket must be in the visual range.

1.2.2 Garden pump safety warnings

1.2.2.1 Safe operating practices:

The water temperature should not exceed 35 °C.
The pump must not be used when people are in the water.
Pollution of the liquid could occur due to leakage of lubricants.

1.2.2.2 Circuit breakers:

Thermal protection switch:

In the event of an overload, the pump is switched off by the built-in thermal motor protection. After sufficient cooling of the motor, the pump is operational again.

1.3 Additional safety warnings

1.3.1 Intended use

This product may be used under supervision, or if instruction regarding the safe use of the product has been provided and the resulting dangers have been understood, by children aged 8 and above, as well as by persons with physical, sensory or mental disabilities or a lack of experience and knowledge. Children must not be allowed to play with the product. Cleaning and user maintenance shall not be carried out by children unless they aged 8 years and above and supervision.

The use of this product by young people under the age of 16 is not recommended.

The **GARDENA Garden pump** is intended to pump ground water and rain water, tap water and water containing chlorine in private domestic gardens and allotments.

The product is not intended for long term use (professional use).

The product is not intended for continuous running.

1.3.1.1 Liquids to be pumped:

The **GARDENA Garden Pump** must only be used to pump water.



DANGER!
Risk of injury!
The pump must not be used for the delivery of salt water, muddy water, corrosive, easily inflammable or explosive liquids (e.g. petrol, paraffin, thinners), oil, heating oil or foodstuffs.

1.3.1.2 Pressure amplification:

The inlet pressure must be protected by an adjustable pressure relief valve. When the pump is used for pressure amplification, the maximum permissible internal pressure must not exceed 6 bar. The maximum inlet pressure is therefore:

GARDENA Garden Pump 5600 Art. 9057 → Max. 1.3 bar

GARDENA Garden Pump 6300 Art. 9058 → Max. 1.1 bar

The pump Art. 9059 must not be used for pressure amplification because the pump delivers 6 bar.

1.3.2 Additional electrical safety warnings



Risk of cardiac arrest!

This product generates an electromagnetic field while it operates. This electromagnetic field may affect the functionality of active or passive medical implants (e.g. pacemakers), which may result in serious injury or death.

→ Consult your doctor and the manufacturer of your implant before using this product.

→ After using the product, disconnect the mains plug from the mains socket.

The pump must be installed in a stable and flood-proof location and protected against falling into the water. Take care that the pump cannot fall into water. Position the pump at a safe distance (min. 2 m) from the liquid to be pumped. As an additional safety device an authorised safety switch can be used.

→ Ask your electrician for his advice.

The pump's mains plug must be disconnected before anybody enters the swimming pool.

If the supply cord is damaged, it must be replaced by the manufacturer, its service agent or similarly qualified persons in order to avoid a hazard.

→ Protect the mains plug and the mains power cable from heat, oil and sharp edges.

→ Do not use the power cable for carrying the pump or for unplugging.

→ Place the pump in a flood-proof location.

→ Please regularly check the connecting line.

→ Before using, always subject the pump (especially the power cables and the power connections) to a visual inspection.

A pump which is damaged must not be used.

→ In the event of damage, have the pump checked by GARDENA Service.

Electrical changes are only conducted by an electrical specialist.

→ Before filling, dismantling, maintenance disconnect the mains.

→ When using our pumps with a generator, the warnings of the generator manufacturer must be observed.

1.3.2.1 Cables:

If extension cables are used, these must comply with the minimum cross-sections in the table below:

Voltage	Cable length	Cross section
230 – 240 V/50 Hz	Up to 20 m	1.5 mm ²
230 – 240 V/50 Hz	20 – 50 m	2.5 mm ²

1.3.3 Additional personal safety warnings



Risk of suffocation!

Small parts can be easily swallowed.

→ Keep toddlers away when you assemble the product.



Risk of injury from hot water!

Pumped water is under pressure and when it hits the body or eyes directly can cause injury.

If the pump is operated for prolonged periods of time (> 5 min.) with the delivery side closed, the water in the pump may heat up so that there is a risk of scalding yourself with hot water.

→ **Let the pump operate for max. 5 minutes against the closed pressure side or with missing water supply.**

If the water supply on the intake side of the pump fails, the water in the pump can heat up so that if water emerges, injuries could be caused by the hot water.

→ **Disconnect the pump from the mains and let the water cool.**

→ **Do not open any caps and screw connections when the water is hot.**

→ **Before restarting, secure the water supply on the suction side and fill the pump completely with water.**

If hoses or pipes are exposed to the sun, they can become very hot.

When connecting the pump to the water supply system, the country-specific sanitary regulations must be observed to prevent water not of drinking water quality being drawn back in.

→ Consult a specialist for sanitary installations.

In order to avoid dry-running of the pump, take care that the end of the suction hose is always submerged into the liquid.

→ Before each operation, fill the pump with water up to the overflow (min. 2 l)!

→ When filling the pump with water, make sure that no hoses or consumers are connected to the pump and that the pump is generally in a horizontal position.

→ Make sure that the hoses are laid without kinks.

Sand and other abrasive substances cause increased wear and reduce the pump's output.

→ Use the pump only with the integrated filter installed. *Otherwise the pump could be damaged.*

→ Use a pump pre-filter for pumping sandy liquids.

Pumping dirty water, e.g. stones, pine needles etc., can cause damage to the pump.

→ Do not pump dirty water.

The minimum flow rate is 90 l/h (1.5 l/min). Connection devices with a lower flow rate must not be operated.

2. ASSEMBLY



Risk of injury!

Risk of injury due to accidental starting.

→ Unplug the plug of the mains cable from the mains socket.

2.1 Installation site:

- When installing below the water level, a shut-off device must be installed to prevent unwanted water loss.
- The installation site must be horizontal, solid and dry and allow the pump to stand securely.
- It must be at a distance of at least 2 m from the water.
- The pump must be installed in a flood-proof location.

2.2 To connect the hose to the suction side [Fig. A6]:

The connector on the suction side ① is equipped with a 33.3 mm (G 1") external thread.

The connection piece on the suction side may only be tightened by hand [Fig. A2].

In order to reduce the suction time, it is advisable to use a suction hose with backflow preventer avoiding automatic draining of the suction hose when the pump has been switched off [Fig. A3].

Sucking in air in the suction system can lead to functional failure and increased noise generation.

→ Connect the suction system carefully.

→ Check the gasket regularly and replace it if necessary.

Don't use any hose quick connection system fittings on the suction side.

A vacuum-resistant suction hose must be used on the suction side:

- e.g. the **GARDENA Suction Unit Art. 1411/1412/1418**
- or the **GARDENA Bore Hole Suction Hose Art. 1729**.
- Connect suction hoses ② without threaded connection via a suction hose connection piece (e.g. **Art. 1723/1724**) to the connection of the suction side and screw it airtight.

2.2.1 There are 2 types of connection systems:

Intended for flat gasket:

No thread sealing tape is required.

→ Make sure that the flat gasket ③ is inserted in the suction hose connection piece and is undamaged.

Intended for thread sealing tape (Teflon):

No flat gasket is required.

An unsuitable sealing system can lead to leaks.

→ Use the sealing system intended for this purpose.

1. Make sure that the flat gasket ③ is inserted in the suction hose connection piece.
2. Screw the vacuum-resistant suction hose ② airtight on the connector on the suction side ①. The connection piece must be placed straight on [Fig. A1].
3. Lay the suction hose ② straight and free of twists.
4. For suction heights exceeding 3 m: Fix the suction hose ② additionally (e.g. by fastening it to a wooden post).
Therefore, the pump is relieved of the weight of the suction hose.

2.3 To connect the hose to the pressure side [Fig. A7]:

To guarantee a good venting, connect the pressure hose only after the pump has been filled (see **3.1.3 Initial operation of the pump**).

The connector on the pressure side ③ is equipped with a 33.3 mm (G 1") external thread.

The connection pieces on the pressure side may only be tightened by hand.

Optimised use of the pump capacity is achieved by connecting 19 mm (3/4") hoses with:

- e.g. the **GARDENA Pump Connection Set Art. 1752**
- or by connecting 25 mm (1") hoses with the **GARDENA Quick Thread Coupling with female thread Art. 7109/Quick Coupling Hose Connector Art. 7103**.

There are 2 connectors on the pressure side. One horizontal (180° rotatable) and one vertical connector. The unused connector must be closed with the sealing cap ③.

Hold or fix the pressure hose vertically to avoid kinking of the pressure hose at the vertical pump outlet.

Lay the hose flat on the ground; avoid u-shaped elevations of the hose and coiling it. In order to allow the air to escape optimally, lay out the pressure hose completely and give it a rising course as seen from the pump.

1. Connect the pressure hose ④ with the connector on the pressure side ③.
2. Screw the sealing cap ③ onto the unused connector on the pressure side.

2.3.1 To connect the pressure hose via the GARDENA quick connection system:

19 mm (3/4")/16 mm (5/8") and 13 mm (1/2") hoses can be connected via the GARDENA Connection System.

Hose diameter	Pump connection	
13 mm (1/2")	GARDENA Pump Connection Set	Art. 1750
16 mm (5/8")	GARDENA Tap Connector GARDENA Hose Connector	Art. 18202 Art. 18216
19 mm (3/4")	GARDENA Pump Connection Set	Art. 1752

2.3.2 Parallel connection of more than 2 pressure hoses:

When connecting more than 2 pressure hoses in parallel, we recommend the use of:

- e.g. the **GARDENA 2- or 4-Channel Water Distributor Art. 8193/8194**
- or the **GARDENA Twin-Tap Connector Art. 940**.

These can be screwed directly onto the connector of the pressure side ③.

2.4 Art. 9058/9059:

To connect the Soil Moisture Sensor (optional) [Fig. A8]:

In addition to time-dependent control (see **Bluetooth® Display operator's manual**), it is also possible to include soil moisture.

If the soil moisture is sufficient, the scheduled irrigation is not performed.

1. Place the Soil Moisture Sensor in the area to be irrigated.
2. Open the dirt cover ①.
3. Plug the plug of the sensor into the sensor socket ② of the pump.

3. OPERATION



DANGER!

Risk of injury!

Risk of injury due to accidental starting.

→ Unplug the plug of the mains cable from the mains socket.

3.1 To start/To stop the pump [Fig. O1/O2]:



CAUTION!

Dry-Running of the pump!

Make sure that the pump is filled with water up to the overflow (min. 2 l) before each starting procedure.

3.1.1 Art. 9058/9059:

Operation via the GARDENA Bluetooth® App:

The **GARDENA Garden Pump Bluetooth®** can be controlled at any time with the free **GARDENA Bluetooth® App**.

It can be downloaded from the Apple App Store or from the Google Play Store.

→ See the enclosed instructions for operating the **GARDENA Bluetooth® Display**.

3.1.2 Art. 9058/9059:

Operation via the display on the pump:

→ See the enclosed instructions for operating the **GARDENA Bluetooth® Display**.

3.1.3 Initial operation of the pump:

1. Disconnect the pressure hose (**Out**).
Therefore, the pump is better vented during filling.
2. Unscrew the screw connection ⑤ on the filling opening ⑥ by hand.
3. Remove the filter.
This makes it easier to see the water level when filling.
4. Slowly fill in at least 2 l of water via the filler opening ⑥ until a stable water level is reached at the level of the suction side connection [Fig. A4].
The filling process can take up to 2 minutes.
5. If a non-return valve is used: Fill the suction hose with water.
This speeds up the suction process.
6. Empty the residual water in the pressure hose ④ before connecting.
This allows the air to escape during the suction process.
7. After filling the pump: Connect the pressure hose (**Out**) to the pump.
8. Put the filter back in place.
9. Tighten the screw connection ⑤ on the filling opening ⑥ by hand until it stops (do not overtighten and do not use pliers).
10. Open any shut-off valves in the pressure line (connection devices, water stop, etc.). All consumers must be opened to the max. possible position.
11. Insert the plug of the mains cable into a mains socket.
Art. 9058/9059: See **Bluetooth® Display operator's manual**.
12. For high suction heights: Lift and hold the pressure hose ④ at least 1.8 m vertically above the pump during the suction process.
13. **Art. 9057:** Push the On/Off switch ⑦ to the position **On**.
The On/Off switch lights.
Art. 9058 / 9059: See **Bluetooth® Display operator's manual**.
The pump starts and pumps the water after the suction process.
The suction process can take up to 5 minutes.

Art. 9057:

If the pump does not pump water after 5 minutes:

1. Push the On/Off switch ⑦ to the position **Off**.
The pump stops.
2. Let the pump cool down.
3. Search in the **6.4 Troubleshooting table** for possible causes.
4. Start the pump again (see **3.1.3 Initial operation of the pump**).

3.1.4 To stop the pump:

- **Art. 9057:** Push the On/Off switch ⑦ to the position **Off**.
The pump stops and the On/Off switch does not light anymore.
- **Art. 9058/9059:** See **Bluetooth® Display operator's manual**.

3.1.5 Art. 9058/9059:

If the pump does not pump water after 5 minutes:

→ See **Bluetooth® Display operator's manual**.

3.2 Only for Art. 9058/9059: safe-pump-function:

→ See **Bluetooth® Display operator's manual**.

3.3 Hints to pump:

3.3.1 General tip on suction:

The specified maximum self-priming height is only reached when the pump is filled to the overflow via the **filling opening** and the pressure hose ④ is held upwards during the priming process so that no water can escape from the pump via the pressure hose ④. Fill the pump before

hoses, fixed piping etc. are connected to the pump on the pressure side. This ensures that the pump can be completely filled with water (2 l) (air can escape).

The pump is to be filled with 2 l of water.

3.3.2 Silent operation:

The pump is silent. This advantage can only be maintained with the correct installation:

→ Choose a low-vibration base (e.g. do not place on metal sheets or plastic tanks).

3.3.3 Max. flow values:

The pump has a bypass valve to enable short suction times. If the hose end is open and there are no devices connected, or if the hose diameter is very large, the valve may not be able to switch from suction to pumping mode due to the hydraulic pressure conditions. This may cause increased operating noise. In order to enable the full pumping capacity, close the water outlet for approx. 1 second while the engine is running (e.g. by kinking the hose). This allows the valve to assume its correct position, which is audible as one click. In standard applications with connection devices such as showers or sprinklers, this happens automatically.

3.3.4 Assembly of prefilter:

If a prefilter is too long, it can be assembled in another position (e.g. horizontally) instead of vertically downwards.

4. MAINTENANCE



DANGER!

Risk of injury!

Risk of injury due to accidental starting.

→ Unplug the plug of the mains cable from the mains socket.

4.1 To clean the pump:



DANGER!

Risk of injury!

Risk of injury and risk of damage to the product.

→ Do not clean the product with water or with a water jet (in particular high-pressure water jet).

→ Do not clean with chemicals including petrol or solvents. Some can destroy critical plastic parts.

→ Clean the pump housing with a damp cloth.

4.2 To flush the pump:

After pumping chlorinated water, the pump must be flushed.

1. Pump through lukewarm water (max. 35 °C), possibly adding a mild cleaning agent (e.g. detergent) until the pumped water runs clear.
2. Dispose of the residues in accordance with local waste disposal regulations.

5. STORAGE

5.1 To put into storage [Fig. S1]:



CAUTION!

Damage to the pump due to frost!

→ Store the pump in a frost-free place.

The product must be stored away from children.

1. Unplug the plug of the mains cable from the mains socket.
2. Close any shut-off valves in the suction line.
3. Open any shut-off valves in the pressure line (accessories, water stop, etc.).
Therefore the pressure line is depressurised.

4. Unscrew the screw connection ⑤ of the filler neck ⑥ and the water drain screw ⑧ by hand.
Therefore the pump is drained.
5. Tilt the pump in the direction of the drain (approx. 80°) so that the pump empties completely.
6. Unscrew the suction hose and the pressure hose.
7. Tighten the screw connection ⑤ on the filling opening ⑥ and the water drain screw ⑧ by hand (do not use pliers).
8. Clean the pump (see 4. MAINTENANCE).
9. Store the pump in a dry, enclosed and frost-free place.

6. TROUBLESHOOTING



DANGER!

Risk of injury!

Risk of injury due to accidental starting.

→ Unplug the plug of the mains cable from the mains socket.

6.1 To loosen the impeller [Fig. T1/T2]:

An impeller blocked by dirt can be loosened.

1. **Only for Art. 9058/9059:**
Pull off the dirt cover ① of the soil moisture sensor **or** unplug the connected soil moisture sensor.
2. Unscrew the 6 screws ⑨, ⑩ and ⑪.
3. Pull off the two shells ⑫.
4. Remove the rubber plug ⑬ from the shaft of the impeller ⑭.
5. Turn the shaft of the impeller ⑭ clockwise with an insulated screwdriver.
Therefore the blocked impeller is loosened.
6. Reassemble the rubber plug ⑬ and the two shells ⑫ in reverse order.
Make sure that you match the screws ⑨, ⑩ and ⑪ to the correct screw holes depending on the length.
7. **Only for Art. 9058/9059:**
Reinsert the dirt cover ① of the soil moisture sensor **or** reinsert the soil moisture sensor.

6.2 To clean the filter [Fig. T3]:

If the pump does not start or stops suddenly during operation, this may be due to a clogged filter.

1. Close all existing shut-off valves on the suction side.
2. Open any shut-off valves in the pressure line (connection devices, water stop, etc.).
This depressurises the pressure side.
3. Unscrew the screw fitting ⑤ of the filler neck ⑥ by hand.
4. Pull the filter ⑬ vertically out of the filler neck ⑥.
5. Hold the cup ⑭ firmly and turn the filter ⑬ counterclockwise out of the cup ⑭ (bayonet lock).
6. Clean the cup ⑭ under running water.
7. Clean the filter ⑬ e.g. with a soft brush.
8. Reassemble the filter ⑬ in reverse order.

6.3 Only for Art. 9058/9059:

To clean the non-return valve [Fig. T1/T4]:

1. **Only for Art. 9058/9059:**
Pull off the dirt cover ① of the soil moisture sensor **or** unplug the connected soil moisture sensor.
2. Unscrew the 6 screws ⑨, ⑩ and ⑪ (see **6.1 To loosen the impeller**).
3. Pull off the two shells ⑫.
4. Unscrew the cap ⑬ counterclockwise with an Allen key (width 10).
5. Pull the flow sensor ⑭ out of the sensor opening ⑮.
6. Clean the flow sensor ⑭ under running water.
 7. Clean the sensor opening ⑮ with a damp cloth (without detergent).
 8. Check the mobility of the flow sensor ⑭.
 9. Reassemble the flow sensor ⑭ in reverse order.
 10. Reassemble the two shells ⑫ in reverse order.
11. **Only for Art. 9058/9059:**
Reinsert the dirt cover ① of the soil moisture sensor **or** reinsert the soil moisture sensor.

6.4 Troubleshooting table:

For Art. 9058/9059: See additional explanation of the displays in the Bluetooth® Display Operator's manual.

Problem	Possible Cause	Remedy
Pump is running, but the suction action doesn't take place	Leaky or damaged suction line [Fig. A2].	→ Check the suction line for damage and seal so is airtight.
	Pump sucks in air at a connection point [Fig. A2].	→ Seal the suction side connections airtight.
	No water available in the cistern, water tank, water pipe, etc.	→ Make sure that the water supply is on the suction side.
	Pump was not filled with water [Fig. A4].	→ Fill the pump (see 3.1.3 Initial operation of the pump).
	Water escapes during the suction process via the pressure hose.	1. Fill the pump again. 2. Hold up the pressure hose. 3. Start the pump again (see 3.1.3 Initial operation of the pump).
	Absolutely vacuum-resistant connection is achieved by using GARDENA Suction Hoses (see 8. ACCESSORIES / SPARE PARTS).	
	Screw fitting on the filler neck is leaking [Fig. A2].	→ Check the seal (replace if necessary) and tighten the screw fitting by hand (do not use pliers).
	Air cannot escape, since the delivery line is closed or remaining water is in the pressure hose.	→ Open any shut-off valves (e.g. nozzle) in the delivery line, or drain the pressure hose.
	Air cannot escape because the pressure hose is coiled.	1. Lay out the pressure hose straight along its entire length. 2. Lay the hose from the pump outlet upwards. 3. Do not kink the pressure hose at the pump outlet. 4. Open all consumers maximum.
	Suction time of 5 min. was not waited for.	→ Wait up to 5 minutes for the pump to pump water.
Pump does not start, or stops suddenly during operation	Suction filter or backflow preventer in the suction hose are clogged.	→ Clean the suction filter or the backflow preventer.
	The end of the suction hose is not in the water [Fig. A5].	→ Submerge the end of the suction hose deeper in the water.
	Suction height is too high [Fig. A5].	→ Reduce the suction height.
	In case of any other difficulties concerning the suction action, use GARDENA Suction Hoses with Backflow Preventer (see 8. ACCESSORIES / SPARE PARTS). Fill the pump with water before starting it.	
	Thermal switch has turned the pump off because of overheating.	→ Let the pump cool down, empty the pump and fill it again. → Observe the max. media Temperature (35 °C).
Pump is running but the delivery drops suddenly	No power supply to the pump.	→ Check the fuses and electrical plug connections.
	RCD has triggered (residual current).	→ Unplug the plug from the mains socket and contact the GARDENA Service.
	Pump is not switched on.	→ Push the On/Off switch to the position On .
	The end of the suction hose is not in the water [Fig. A5].	→ Submerge the end of the suction hose deeper in the water.
Pump is running but the delivery drops suddenly	Suction filter or backflow preventer in the suction hose are clogged.	→ Clean the suction filter or the back flow preventer.
	No water available in the cistern, water tank, water pipe, etc.	→ Make sure that the water supply is on the suction side.
	Suction line is leaking [Fig. A2].	→ Eliminate the leak.
	Impeller is blocked.	→ Loosen the impeller.

Problem	Possible Cause	Remedy
Pump is running but the delivery drops suddenly	Pressure hose is kinked.	→ Lay the pressure hose without kinks and do not kink the pressure hose at the pump outlet.
The screw connection of the filter cannot be unscrewed by hand	Tread is dirty.	→ Use a water pump pliers to unscrew it. → Clean the thread on the filter and in the pump.

NOTE:

Repairs must only be done by the GARDENA service departments or specialist dealers approved by GARDENA.

→ For any other malfunctions please contact the GARDENA service department.

7. TECHNICAL DATA

Garden pump	Unit	Value (Art. 9057)	Value (Art. 9058)	Value (Art. 9059)
Rated power	W	900	1050	1300
Mains voltage	V (AC)	230	230	230
Mains frequency	Hz	50	50	50
Max. delivery capacity	l/h	5600	6300	6500
Max. pressure / Max. delivery head	bar / m	4.7 / 47	4.9 / 49	6.0 / 60
Max. self-priming suction height	m	8	8	8
Permitted internal pressure (delivery side)	bar	6	6	6
Power cable	m	1.5 (H07RN-F)	1.5 (H07RN-F)	1.5 (H07RN-F)
Weight without cable (approx.)	kg	10	10.7	11.8
Sound pressure level L_{PA}				
Distance:				
1 m		58	59	60
5 m	dB	45	45	46
10 m		38	39	40
Sound power level L_{WA}¹⁾: measured / guaranteed	dB (A)	67 / 69	68 / 70	68 / 71
Uncertainty k_{WA}		2.67	2.29	2.78
Max. media temperature	°C	35	35	35

Measuring process complying with: ¹⁾ RL 2000/14/EU

8. ACCESSORIES/SPARE PARTS

GARDENA Suction Hoses	Kink-proof and vacuum-proof, optionally available by the metre Art. 1720/1721 (19 mm (3/4") / 25 mm (1")) without connecting fittings or in fixed length Art. 1411/1418 complete with connecting fittings.	
GARDENA Suction Hose Fitting	For connection on the suction side.	Art. 1723/1724
GARDENA Pump Connection Set	For connection on the delivery side.	Art. 1750/1752
GARDENA Suction Filter with backflow preventer	To equip suction hoses with backflow preventer sold by the meter.	Art. 1726/1727/1728
GARDENA Pump Preliminary Filter	Recommended for pumping sandy water.	Art. 1730/1731
GARDENA Bore Hole Suction Hose	For vacuum-resistant connection of the pump to boreholes or pipe networks. Length 0.5 m. With 33.3 mm (G1) female thread at both ends.	Art. 1729
GARDENA Floating suction system	For dirt-free suction below the water surface.	Art. 1417
GARDENA Quick coupling	For pressure-side connection of 1" pressure hoses.	Art. 7109/7103
GARDENA Soil Moisture Sensor	For irrigation depending on the soil moisture.	Art. 1188/1867
GARDENA Extension Cable (length: 10 metres)	Used to extend the sensor cable to max. 105 metres.	Art. 1868

9. SERVICE

Please contact the address on the back page.

10. DISPOSAL

10.1 Disposal of the pump:

(according to Directive 2012/19/EU)



The product must not be disposed of to normal household waste.
It must be disposed of in line with local environmental regulations.

IMPORTANT!

→ Dispose of the product through or via your local recycling collection centre.

Pumpen-Kennlinien
 Performance characteristics
 Courbes de performance
 Prestatiegrafiek
 Kapacitetskurva
 Ydelses karakteristika
 Pumpun ominaiskäyrä
 Pumpekarakteristikk
 Curva di rendimento
 Curva característica de la bomba

Características de performance
 Charakterystyka pompy
 Szivattyú-jelleggörbe
 Charakteristika čerpadla
 Charakteristiky čerpadla
 Χαρακτηριστικό διάγραμμα
 Χαρακτηριστικά насоса
 Karakteristika črpalka
 Obilježja pumpe
 Karakteristika pumpe

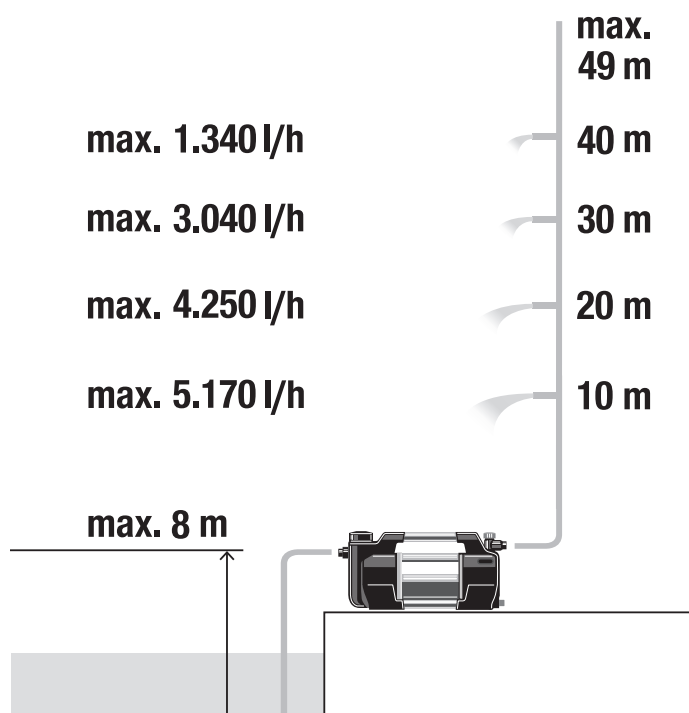
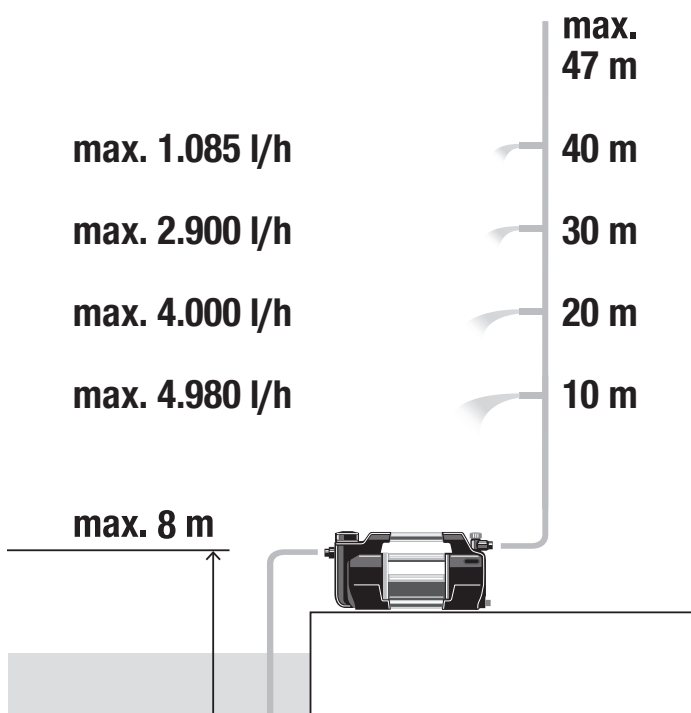
Κριβή χαρακτηριστικής насоса
 Caracteristică pompei
 Pompa karakter egrisi
 Помпена характеристика
 Fuqja e pompës
 Pumba karakteristik
 Siurblio charakteristinė kreivė
 Sūkņa raksturlīkne

5600 Silent+

Art. 9057

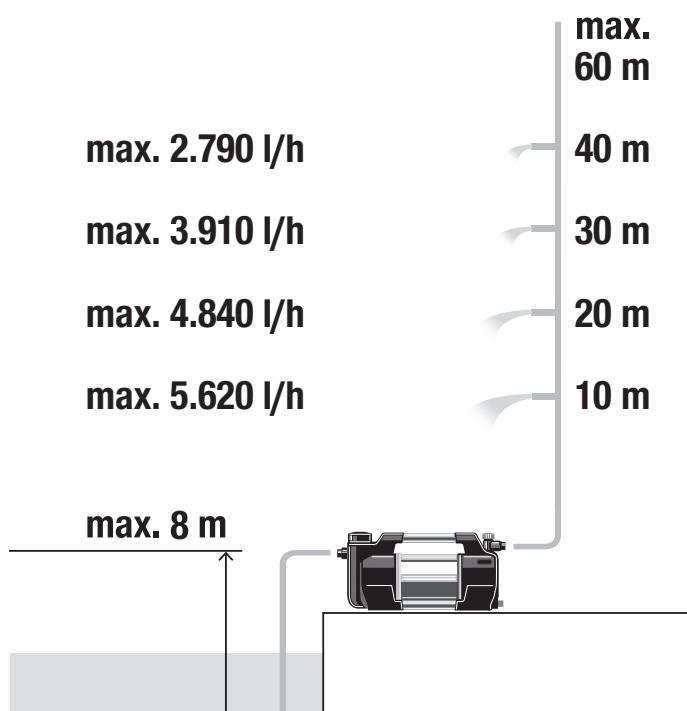
6300 SilentComfort

Art. 9058



6500 SilentComfort

Art. 9059





<p>de EU-Konformitätserklärung für Art. 9058/9059 Hiermit erklärt die GARDENA Manufacturing GmbH, dass der Funkenlagentyp (Art. 9058/9059) der Richtlinie 2014/53/EU entspricht. Der vollständige Text der EU-Konformitätserklärung ist unter folgender Internetadresse verfügbar: http://www.gardena.com/int/support/safety-regulations</p>
<p>en EC Declaration of Conformity for Art. 9058/9059 Hereby, GARDENA Manufacturing GmbH declares that the radio equipment type (Art. 9058/9059) is in compliance with directive 2014/53/EU. The full text of the EC declaration of conformity is available at the following internet address: http://www.gardena.com/int/support/safety-regulations</p>
<p>fr Déclaration de conformité CE pour réf. 9058/9059 Par la présente, GARDENA Manufacturing GmbH déclare que le type d'installation radioélectrique (réf. 9058/9059) est conforme à la directive 2014/53/UE. Le texte intégral de la déclaration de conformité européenne est disponible sur Internet à l'adresse suivante : http://www.gardena.com/int/support/safety-regulations</p>
<p>nl EU-conformiteitsverklaring voor Art. 9058/9059 Hiermee verklaart GARDENA Manufacturing GmbH, dat het type radioapparatuur (Art. 9058/9059) voldoet aan de richtlijn 2014/53/EU. De volledige tekst van de EU-conformiteitsverklaring is beschikbaar op het volgende internetadres: http://www.gardena.com/int/support/safety-regulations</p>
<p>sv EU-försäkran om överensstämmelse för art. 9058/9059 Härmed försäkras GARDENA Manufacturing GmbH, att signalutrustningstypen (Art. 9058/9059) uppfyller direktiv 2014/53/EU. Den kompletta texten för EU-försäkran om överensstämmelse finns på följande webbadress: http://www.gardena.com/int/support/safety-regulations</p>
<p>da EU-overensstemmelseserklæring til varenr. 9058/9059 Hermed erklærer GARDENA Manufacturing GmbH, at det trådløse anlæg (varenr. 9058/9059) er i overensstemmelse med direktivet 2014/53/EU. EU-overensstemmelseserklæringens tekst findes i sin helhed på følgende internetadresse: http://www.gardena.com/int/support/safety-regulations</p>
<p>fi EU-vaatimustenmukaisuusvakuutus tuotteelle 9058/9059 GARDENA Manufacturing GmbH vakuuttaa täten, että radiolaitteistotyypin (tuotenum 9058/9059) vastaa direktiiviä 2014/53/EU. EY-vaatimustenmukaisuusvakuutuksen täydellinen teksti on saatavilla seuraavasta osoitteesta internetissä: http://www.gardena.com/int/support/safety-regulations</p>
<p>it Dichiarazione di conformità UE per art. 9058/9059 GARDENA Manufacturing GmbH dichiara con la presente che la tipologia di apparecchiatura radio (art. 9058/9059) è conforme alla Direttiva 2014/53/UE. Il testo completo della dichiarazione di conformità UE è disponibile al seguente indirizzo web: http://www.gardena.com/int/support/safety-regulations</p>
<p>es Declaración de conformidad de la UE para ref. 9058/9059 Con la presente, GARDENA Manufacturing GmbH declara que el tipo de equipo radioeléctrico (ref. 9058/9059) corresponde a la directiva 2014/53/UE. El texto completo de la Declaración de Conformidad de la UE se puede consultar en la siguiente dirección de Internet: http://www.gardena.com/int/support/safety-regulations</p>
<p>pt Declaração de conformidade UE para n.º ref. 9058/9059 A GARDENA Manufacturing GmbH declara, por este meio, que o tipo de equipamento de rádio (n.º ref.9058/9059) cumpre a Diretiva 2014/53/UE. O texto na íntegra da declaração de conformidade UE está disponível no seguinte endereço na Internet: http://www.gardena.com/int/support/safety-regulations</p>
<p>pl Deklaracja zgodności UE dla art. 9058/9059 GARDENA Manufacturing GmbH oświadcza, że typ urządzenia radiowego (art. 9058/9059) jest zgodny z Dyrektywą 2014/53/UE. Kompletny tekst deklaracji zgodności UE jest dostępny pod adresem: http://www.gardena.com/int/support/safety-regulations</p>
<p>hu EU megfeleléségi nyilatkozat a 9058/9059 cikksz. termékhez A GARDENA Manufacturing GmbH ezennel kijelenti, hogy a rádióberendezés (cikksz. 9058/9059) típusa megfelel a 2014/53/EU irányelv előírásainak. Az EU szabvány-megfelelési nyilatkozat teljes szövege a következő internet címen áll rendelkezésre: http://www.gardena.com/int/support/safety-regulations</p>
<p>cs EU prohlášení o shodě pro č.v. 9058/9059 Tímto prohlašuje GARDENA Manufacturing GmbH, že rádiová zařízení (č.v. 9058/9059) odpovídají směrnici 2014/53/EU. Úplný text EU prohlášení o shodě je k dispozici na následující adrese: http://www.gardena.com/int/support/safety-regulations</p>
<p>sk EÚ vyhlásenie o zhode pre č.v. 9058/9059 Spoločnosť GARDENA Manufacturing GmbH týmto vyhlasuje, že typ rádiového zariadenia (č.v. 9058/9059) je v zhode so smernicou 2014/53/EÚ. Celý text ES vyhlásenia o zhode nájdete na tejto internetovej adrese http://www.gardena.com/int/support/safety-regulations</p>
<p>el Δήλωση συμμόρφωσης ΕΕ για το προϊόν 9058/9059 Με το παρόν η GARDENA Manufacturing GmbH δηλώνει ότι ο τύπος του συστήματος ραδιοσυνοχής (Κωδ. 9058/9059) πληροί τις απαιτήσεις της οδηγίας 2014/53/ΕΕ. Το πλήρες κείμενο της δήλωσης συμμόρφωσης ΕΕ διατίθεται στην παρακάτω ηλεκτρονική διεύθυνση: http://www.gardena.com/int/support/safety-regulations</p>
<p>sl Izjava EU o skladnosti za art.-št. 9058/9059 Podjetje GARDENA Manufacturing GmbH izjavlja, da tip radijske naprave (art.-št. 9058/9059) ustreza Direktivi 2014/53/EU. Celotno besedilo EU-izjave o skladnosti je na voljo na naslednjem spletnem naslovu: http://www.gardena.com/int/support/safety-regulations</p>
<p>hr EU izjava o skladnosti za br. art. 9058/9059 Ovimе tvrtka GARDENA Manufacturing GmbH izjavljuje da tip radijskog sustava (br. art. 9058/9059) odgovara Direktivi 2014/53/EU. Kompletan tekst EU izjave o skladnosti dostupan je na sljedećoj internetskoj stranici: http://www.gardena.com/int/support/safety-regulations</p>
<p>ro Declarație de conformitate UE pentru art. 9058/9059 Prin prezentă GARDENA Manufacturing GmbH declară că tipul de echipament hertzian (art. 9058/9059) corespunde Directivei 2014/53/UE. Textul complet al Declarației de conformitate UE este disponibil la următoarea adresă de Internet: http://www.gardena.com/int/support/safety-regulations</p>
<p>bg ЕС декларация за съответствие за Art. 9058/9059 GARDENA Manufacturing GmbH декларира с настоящото, че типът радиооборудване (Art. 9058/9059) отговаря на Директива 2014/53/ЕС. Пълният текст на ЕС Декларацията за съответствие е на разположение на следния интернет-адрес: http://www.gardena.com/int/support/safety-regulations</p>
<p>et ELi vastavusdeklaratsioon tootele 9058/9059 Käesolevaga kinnitab GARDENA Manufacturing GmbH, et raadioseadmete tüüp (art 9058/9059) vastab direktiivile 2014/53/EL. EL-i vastavusdeklaratsiooni täielik tekst on saadaval järgmiselt internetiaadressilt: http://www.gardena.com/int/support/safety-regulations</p>
<p>lt Gam. 9058/9059 ES atitikties deklaracija GARDENA Manufacturing GmbH patvirtina, kad radijo ryšio įrenginių tipas (gaminys 9058/9059) atitinka Direktyvą 2014/53/ES. Visą ES atitikties deklaracijos tekstą galite rasti šiuo interneto adresu: http://www.gardena.com/int/support/safety-regulations</p>
<p>lv ES atbilstības deklarācija precei 9058/9059 Ar šo uzņēmums GARDENA Manufacturing GmbH deklarē, ka radioiekārtas tips (preces nr. 9058/9059) atbilst Direktīvas 2014/53/ES prasībām. ES atbilstības deklarācijas teksta pilna versija ir pieejama šādā tīmekļa vietnē: http://www.gardena.com/int/support/safety-regulations</p>



de	EU-Konformitätserklärung		Der Unterzeichnende bestätigt als Bevollmächtigter des Herstellers, der GARDENA Germany AB, PO Box 7454, S-103 92, Stockholm, Schweden, dass das (die) nachfolgend bezeichnete(n) Gerät(e) in der von uns in Verkehr gebrachten Ausführung die Anforderungen der harmonisierten EU-Richtlinien, EU-Sicherheitsstandards und produktspezifischen Standards erfüllt / erfüllen. Bei einer nicht mit uns abgestimmten Änderung des (der) Geräte(s) verliert diese Erklärung ihre Gültigkeit. Konformitätsbewertungsverfahren nach 2000/14/EG Art. 14 Anhang V, Schall-Leistungspegel: gemessen/garantiert ⁽¹⁾ Hinterlegte Dokumentation ⁽²⁾ Anbringungsdatum der CE-Kennzeichnung: 2022 Ulm, den 01.11.2022
en	EC Declaration of Conformity		The undersigned hereby certifies as the authorized representative of the manufacturer, GARDENA Germany AB, PO Box 7454, S-103 92, Stockholm, Sweden, that, when leaving our factory, the unit(s) indicated below is / are in accordance with the harmonised EU guidelines, EU standards of safety and product specific standards. This certificate becomes void if the unit(s) is / are modified without our approval. Conformity Assessment procedure according to 2000/14/EC Art.14 Annex V, Noise level: measured/guaranteed ⁽¹⁾ Deposited Documentation ⁽²⁾ Year of CE marking: 2022 Ulm, 01/11/2022
fr	Déclaration de conformité CE		Le soussigné déclare, en tant que mandataire du fabricant, la GARDENA Germany AB, PO Box 7454, S-103 92, Stockholm, Suède, qu'à la sortie de ses usines le matériel neuf désigné ci-dessous était conforme aux prescriptions des directives européennes énoncées ci-après et conforme aux règles de sécurité et autres règles qui lui sont applicables dans le cadre de l'Union européenne. Toute modification portée sur ce(s) produit(s) sans l'accord express de notre part supprime la validité de ce certificat. Procédure d'évaluation de la conformité: Selon 2000/14/CE art. 14 Annexe V, Puissance acoustique: mesurée/garantie ⁽¹⁾ Documentation déposée ⁽²⁾ Année d'apposition du marquage CE: 2022 Fait à Ulm 01/11/2022
bg	ЕС-Декларация за съответствие		Долноподписаният удостоверява като пълномощник на производителя GARDENA Germany AB, PO Box 7454, S-103 92, Стокхолм, Швеция, че по-долу описаният(ите) уред(и) във варианта на изпълнение пуснат от нас на пазара изпълнява / изпълняват изискванията на хармонизираните ЕС-директиви, ЕС-норми за безопасност и специфичните норми за продукцията. В случай на промяна на уреда(ите), която не е съгласувана с нас, тази декларация губи своята валидност. Процедура за оценка на съответствието съгласно 2000/14/ЕО, член 14, приложение V, Ниво на шум: измерено/гарантирано ⁽¹⁾ Внесени документи ⁽²⁾ Година на CE маркировка: 2022 Улм, 01.11.2022 г.
cs	EU prohlášení o shodě		Podepsaná osoba zplnomocněná výrobcem GARDENA Germany AB, PO Box 7454, S-103 92, Stockholm, Švédsko potvrzuje, že v následujícím uvedený(-é) přístroj(-e) v provedení námi uvedeném na trh splňuje / splňují požadavky směrnic EU, bezpečnost-ních norem EU a norem specifických pro výrobek. V případě změny přístroje(-ů), která s námi nebyla dohodnuta, ztrácí toto prohlášení svou platnost. Postup posouzení shody proveden podle nařízení 2000/14/ES, čl.14, příloha V, Hladina hluku: naměřená / zaručená ⁽¹⁾ Uložená dokumentace ⁽²⁾ Rok označení CE: 2022 Ulm, 01.11.2022
da	EU-overensstemmelseserklæring		Underskrivningen bekræfter som fuldmægtig for producenten, GARDENA Germany AB, PO Box 7454, S-103 92, Stockholm, Sverige, at det (de) efterfølgende betegnede apparat(er) i den af os markedsførte udførelse opfylder kravene i de harmoniserede EU-direktiver, EU-sikkerhedsstandarder og produktspecifikke standarder. Foretages en ændring af apparatet/ apparaterne, der ikke er aftalt med os, mister denne erklæring sin gyldighed. Procedure for overensstemmelsesvurdering i henhold til 2000/14/EF art. 14 bilag V, Støjniveau: målt/ garanteret ⁽¹⁾ Deponeret dokumentation ⁽²⁾ År for CE-mærkning: 2022 Ulm, 01-11-2022
el	Δήλωση συμμόρφωσης ΕΕ		Ο υπογεγραμμένος βεβαιώνει ως πληρεξούσιος του κατασκευαστή, της εταιρείας GARDENA Germany AB, Τ.Θ. 7454, S-103 92, Στοκχόλμη, Σουηδία, ότι η (οι) παρακάτω αναφερόμενη(ες) συσκευή(ές) στην έκδοση που τίθεται από εμάς σε κυκλοφορία πληροί/πλη-ρούν τις απαιτήσεις των εναρμονισμένων οδηγιών της ΕΕ, προτύπων ασφαλείας της ΕΕ και των ειδικών για το προϊόν προτύπων. Σε περίπτωση τροποποίησης της (των) συσκευής(ών) χωρίς προηγούμενη συνεννόηση με την εταιρεία μας παύει να ισχύει η δήλωση. Διαδικασία αξιολόγησης της συμμόρφωσης σύμφωνα με το άρθρο 14 του παραρτήματος V της 2000/14/ΕΚ, Επίπεδο θορύβου: μετρούμενο / εγγυημένο ⁽¹⁾ Κατατεθείσα τεκμηρίωση ⁽²⁾ Έτος σήμανσης CE: 2022 Ulm, 2022-11-01
es	Declaración de conformidad de la UE		El firmante confirma, en calidad de apoderado del fabricante GARDENA Germany AB, PO Box 7454, S-103 92 Estocolmo (Suecia), que el / los aparato(s) mencionado(s) a continuación cumple(n), en la versión lanzada al mercado por nuestra empresa, los requisitos de las directivas de la UE armonizadas, los estándares de seguridad de la UE y los estándares específicos del producto. La presente declaración perderá su validez si se modifica(n) el / los aparato(s) sin previa aprobación por nuestra parte. Procedimiento de evaluación de la conformidad según la norma 2000/14/CE Art. 14 Anexo V, Nivel sonoro: medido/garantizado ⁽¹⁾ Documentación depositada ⁽²⁾ Año de marcado CE: 2022 Ulm (Alemania), 01-11-2022
et	EU-vaatimustenmukaisuusvakuutus		Allakirjutanu kinnitab tootja, GARDENA Germany AB, PO Box 7454, S-103 92, Stockholm, Roots, poolt volitatud isikuna, et järgnevalt nimetatud seade (seadmed) täidab (täidavad) meie poolt turule toodud versiooni kujul harmoneeritud EL-i direktiivide, EL-i ohutusstandardite ja tootepõhiste standardite nõuded. Seadmel (seadmetel) meiega kooskõlastamata muudatuse tegemise korral kaotab käesolev deklaratsioon oma kehtivuse. Vastavushindamismenetlus vastavalt 2000/14/EÜ artiklile 14 V lisa, müratase: mõõdetud / garanteeritud ⁽¹⁾ Talletatud dokumentatsioon ⁽²⁾ CE-märgise aasta: 2022 Ulm, 2022-11-01
fi	EY-vaatimustenmukaisuusvakuutus		Allekirjoittanut vahvistaa valmistajan, GARDENA Germany AB, PO Box 7454, S-103 92, Tukholma, Ruotsi, valtuuttamana henkilönä, että seuraava laite täyttää / seuraavat laitteet täyttävät meidän toimittamassa mallissa yhdenmukaistettujen EU-direktiivien, EU-turvallisuusmääräysten ja tuotekohtaisten standardien vaatimukset. Laitteen / laitteiden muutoksissa, joista ei ole sovittu meidän kanssamme, menettää tämä selvitys voimassalonsa. Vaatimustenmukaisuuden arviointi direktiivin 2000/14/EY 14 artiklan liitteen V mukaisesti, Äänitaso: mitattu/taattu ⁽¹⁾ Dokumentointi ⁽²⁾ CE-merkinnän vuosi: 2022 Ulm, 01.11.2022
hr	EU izjava o sukladnosti		Dolje potpisani kao opunomoćenik proizvođača, tvrtke GARDENA Germany AB, PO Box 7454, S-103 92, Stockholm, Švedska, potvrđujemo da niže navedeni uređaj(i) odgovarajuće izvedbe koji / koje smo iznijeli na tržište ispunjavaju kriterije uskladenih direktiva EU i sigurnosnih standarda EU kao i standarda koji se tiču proizvođača. Ova izjava gubi valjanost u slučaju izmjena u standardima koje nisu prethodno ugovorene s nama. Postupak procjene sukladnosti prema sa Direktivom 2000/14/EC čl. 14 Dodatkom V, Razina buke: izmjerena/garantirana ⁽¹⁾ Prikupljena dokumentacija ⁽²⁾ Godina CE oznake: 2022 Ulm, 01.11.2022.
hu	EU megfeleléségi nyilatkozat		Az alulírott, a GARDENA Germany AB, Pf. 7454, S-103 92, Stockholm, Svédország megbízotti minőségében megerősíti, hogy az általunk alábbi kiviteltel forgalomba hozott, lent nevezett eszköz(ök) megfelel(nek) az uniós irányelvekkel összhangba hozott nemzeti előírások követelményeinek, az EU biztonsági szabványainak és a konkrét termékre vonatkozó szabványoknak. Az eszköz(ök)nek velünk nem egyeztetett módosítása esetén ez a nyilatkozat érvényét veszti. Megfelelőségértékelési eljárás a 2000/14/EK irányelv 14. cikkének V. függeléké szerint, Zajszint: mért/garantált ⁽¹⁾ Benyújtott dokumentáció ⁽²⁾ A CE-jelzés éve: 2022 Ulm, 2022-11-01
it	Dichiarazione di conformità UE		Il sottoscritto, in quanto soggetto autorizzato dal produttore, GARDENA Germany AB, PO Box 7454, S-103 92, Stoccolma, Svezia, dichiara che l'apparecchio/gli apparecchi di seguito denominato/i, nella versione da noi immessa in commercio, soddisfa / no i requisiti delle direttive UE armonizzate, degli standard di sicurezza europei e degli standard specifici per il prodotto. La presente dichiarazione perde di validità in caso di modifica dell'apparecchio/degli apparecchi non concordata con noi. Procedura di valutazione della conformità ai sensi dell'art. 14 2000/14/CE, Allegato V, Livello di rumorosità: misurato/garantito ⁽¹⁾ Documentazione depositata ⁽²⁾ Anno di marcatura CE: 2022 Ulm, 2022-11-01
lt	ES atitikties deklaracija		Pasirašantysis, kaip gamintojo, GARDENA Germany AB, PO Box 7454, S-103 92, Stokholmas, Švedija, įgaliojasis atstovas patvirtina, kad žemiau nurodyto(-ų) prietaiso(-ų) modeliai, kurie buvo pagaminti mūsų gamykloje, atitinka darniausias ES direktyvas, ES saugumo standartus ir specifinius gaminių standartus. Atlikus bet kokį prietaiso(-ų) pakeitimą, kuris nėra suderintas su mumis, ši deklaracija praranda galiojimą. Atitikties vertinimo procedūra pagal 2000/14/EB direktyvos 14 straipsnio V priedą, Triukšmo lygis: išmatuotas / garantuojamas ⁽¹⁾ Pridėta dokumentacija ⁽²⁾ CE žymėjimo metai: 2022 Ulm, 2022-11-01
lv	ES atbilstības deklarācija		Zemā parakstījiesies persona kā ražotāja, uzņēmuma GARDENA Germany AB, PO Box 7454, S-103 92, Stokholma, Zviedrija, pilnvarotais pārstāvis apstiprina, ka tālāk norādītā(-s) ierīcē(-s) izpildījumā, kādā mēs to (tās) esam laiduši tirgū, atbilst saskaņota(-)jām ES direktīvām, ES drošības standartiem un konkrētajam produktam noteiktajiem standartiem. Ierīcē(-s) veicot ar mums nesaskaņotas izmaiņas, šī deklarācija zaudē savu spēku. Atbilstības novērtēšanas procedūra atbilstoši Direktīvas 2000/14/EK V pielikuma 14. punktam, trokšņu līmenis: mērītais / garantētais ⁽¹⁾ Dokumentācijas atrašanās vieta ⁽²⁾ CE marķējuma gads: 2022 Ulm, 01.11.2022.
nl	EU-conformiteitsverklaring		De ondergetekende bevestigt als gevolmachtigde van de fabrikant, GARDENA Germany AB, PO Box 7454, S-103 92, Stockholm, Zweden, dat het/de onderstaand vermelde apparaat/apparaten in de door ons in de handel gebrachte uitvoering voldoet/voldoen aan de eisen van de geharmoniseerde EU-richtlijnen, EU-veiligheidsnormen en productspecifieke normen. Bij een niet met ons afgestemde verandering van het apparaat/de apparaten verliest deze verklaring haar geldigheid. Overeenstemmingsbeoordelingsprocedure volgens 2000/14/EG Art.14 Bijlage V, Geluidsniveau: gemeten/gegarandeerd ⁽¹⁾ Gedeponeerde documentatie ⁽²⁾ Jaar van CE-markering: 2022 Ulm, 01-11-2022



<p>no EF-samsvarserklæring</p> <p>Hagepumpe Art.nr.</p>	<p>Undertegnede bekrefter herved, som autorisert representant for produsenten, GARDENA Germany AB, PO Box 7454, S-103 92 Stockholm, Sverige, at enheten(e) angitt nedenfor er i samsvar med harmoniserte EU-retningslinjer, EU-standarder for sikkerhet og produktspesifikke standarder når de(n) forlater vår fabrikk. Denne bekreftelsen blir ugyldig hvis enheten(e) endres uten vårt samtykke.</p> <p>Prosedyre for samsvarsveridring i henhold til 2000/14/EF art.14 vedlegg V, Støynivå: målt/garantert⁽¹⁾</p> <p>Deponert dokumentasjon⁽²⁾ CE-merksingsår: 2022 Ulm, 2022-11-01</p>
<p>pl Deklaracja zgodności UE</p> <p>Pompa ogrodowa Nr artykułu</p>	<p>Niżej podpisany potwierdza jako upoważniony przedstawiciel producenta, spółki GARDENA Germany AB, PO Box 7454, S-103 92, Sztokholm, Szwecja, że określone poniżej urządzenie/-nia w wersji wprowadzonej przez nas do obrotu spełnia / -niają wymogi zharmonizowanych dyrektyw UE, norm bezpieczeństwa UE oraz norm dotyczących konkretnych produktów. Niniejsza deklaracja traci ważność w przypadku wprowadzania niezgodzonych z nami zmian urządzenia / n.</p> <p>Procedura oceny zgodności zgodnie z dyrektywą 2000/14/WE, art. 14, załącznik V, Poziom hałas: zmierzony/gwarantowany⁽¹⁾</p> <p>Zdeponowana dokumentacja⁽²⁾ Rok oznakowania CE: 2022 Ulm, 2022-11-01</p>
<p>pt Declaração CE de Conformidade</p> <p>Bomba de jardim Artigo n.º</p>	<p>O abaixo-assinado, na qualidade de representante do fabricante, GARDENA Germany AB, PO Box 7454, S-103 92, Stockholm, Schweden, confirma que o(s) aparelho(s) a seguir designado(s) no modelo lançado por nós no mercado cumpre / cumprem os requisitos das diretivas UE harmonizadas, as normas de segurança UE e as normas específicas para estes produtos. Esta declaração perde a sua validade se forem realizadas alterações no(s) aparelho(s) sem o nosso consentimento.</p> <p>Documento de avaliação da conformidade de acordo com a diretiva 2000/14/CE, Artigo 14.º, Anexo V, Nível de ruído: medido/garantido⁽¹⁾</p> <p>Documentação depositada⁽²⁾ Ano de marcação CE: 2022 Ulm, 2022-11-01</p>
<p>ro Declarație de conformitate UE</p> <p>Pompă de grădină Art. nr.</p>	<p>Semnatarul, în calitate sa de împuternicit al producătorului GARDENA Germany AB, PO Box 7454, S-103 92, Stockholm, Suedia, confirmă că aparatul (aparatele) descrie în cele ce urmează, în execuția pusă de noi pe piață îndeplinește (îndeplinesc) cerințele directivelor armonizate UE, ale standardelor de siguranță UE și ale standardelor specifice produsului. În cazul modificării fără aprobarea noastră prealabilă a aparatului (aparaterelor), această declarație își pierde valabilitatea.</p> <p>Procedura de evaluare a conformității în conformitate cu 2000/14/CE Art.14 Anexa V, Nivelul de zgomot: măsurat/garantat⁽¹⁾</p> <p>Documentație depusă⁽²⁾ Anul marcatului CE: 2022 Ulm, 2022-11-01</p>
<p>ru Декларация соответствия ЕС</p> <p>Садовый насос Арт. №</p>	<p>Нижеподписавшийся официальный представитель компании GARDENA Germany AB, PO Box 7454, S-103 92, г. Стокгольм, Швеция, настоящим удостоверяет, что в момент отгрузки с завода указанные ниже изделия соответствуют согласованным директивам ЕС, стандартам безопасности ЕС и стандартам для конкретного изделия. Данный сертификат аннулируется в случае модификации изделия без нашего разрешения.</p> <p>Процедура оценки соответствия согласно 2000/14/ЕС Art.14, приложение V, Уровень шума: измеренный/гарантированный⁽¹⁾</p> <p>Размещенная документация⁽²⁾ Год маркировки CE: 2022 Ulm, 2022-11-01</p>
<p>sk EÚ vyhlásenie o zhode</p> <p>Záhradné čerpadlo č. v.</p>	<p>Dolu podpísaný potvrdzuje, ako splnomocnený zástupca výrobcu, GARDENA Germany AB, PO Box 7454, S-103 92, Štokholm, Švédsko, že ďalej označené zariadenie / a vo vyhotovení uvedenom na trh spĺňa / jú požiadavky harmonizovaných smerníc EÚ, bezpečnostných štandardov EÚ a predpisov, špecifických pre dané výrobky. Pri zmene zariadenia / zariadení, ktorá nebola odsúhlasená našou spoločnosťou, stráca toto vyhlásenie platnosť.</p> <p>Postup posudzovania zhody podľa smernice 2000/14/ES článku 14 prílohy V, Hladina hluku: Meraná/zaručená⁽¹⁾</p> <p>Uložená dokumentácia⁽²⁾ rok udelenia označenia CE: 2022 Ulm, 01.11.2022</p>
<p>sl Izjava EU o skladnosti</p> <p>Vrtna črpalka Št. izd.</p>	<p>Spodaj podpisani kot pooblaščenec proizvajalca GARDENA Germany AB, PO Box 7454, S-103 92, Stockholm, Švedska, potrjuje, da v nadaljevanju označene naprave v izvedbi, v kakršni smo jih dali v promet, izpolnjujejo zahteve usklajenih direktiv EU, varnostnega standarda EU in standardov, ki veljajo za posamezne izdelke. V primeru spremembe naprave, ki ni usklajena z nami, ta izjava neha veljati.</p> <p>Postopek ugotavljanja skladnosti v skladu s členom 14 Direktive 2000/14/ES 14. priloga V, Raven hrupa: izmerjena/zajamčena⁽¹⁾</p> <p>Deponirana dokumentacija⁽²⁾ letnica oznake CE: 2022 Ulm, 01.11.2022</p>
<p>sr EZ deklaracija o usaglašenosti</p> <p>Baštenska pumpa Br. stavke</p>	<p>Dole potpisani ovim potvrđuje kao ovlašćeni predstavnik proizvođača kompanije GARDENA Germany AB, PO Box 7454, S-103 92 Stokholm, Švedska, ovim potvrđuje da dole navedeni uređaji u obliku plasiranom na tržište ispunjavaju zahteve harmonizovanih EU smernica, EU bezbednosnih standarda i standarda za određene proizvode. Ova izjava postaje ništavna u slučaju izmene uređaja koje nismo odobrili.</p> <p>Procedura provere usaglašenosti u skladu sa 2000/14/EZ član 14 aneks V, Nivo buke: izmere/garantovan⁽¹⁾</p> <p>Predata dokumentacija⁽²⁾ Godina CE znaka: 2022 Ulm, 01.11.2022.</p>
<p>sv EU-försäkran om överensstämmelse</p> <p>Bevattningspump Artikelnr</p>	<p>Undertecknad intygar som befullmäktigad företrädare för tillverkaren, GARDENA Germany AB, PO Box 7454, S-103 92, Stockholm, Sverige, att nedan angiven apparat / nedan angivna apparater i det utförande vi har släppt på marknaden, uppfyller fordringarna i de harmoniserade EU-direktiven, EU-säkerhetsstandarderna och de produktspecifika standarderna. Denna försäkran upphör att gälla vid en ändring av apparaten / apparaterna som inte har stämts av med oss.</p> <p>Förfarande för bedömning av överensstämmelse enligt 2000/14/EG art.14 bilaga V, Bullernivå: uppmätt/garanterad⁽¹⁾</p> <p>desatt dokumentation⁽²⁾ anmätt organ⁽³⁾ år för CE-märkning: 2022 Ulm, 2022-11-01</p>
<p>sq Deklarata e konformitetit e KE-së</p> <p>Pompë e kopshtit Nr. i artikullit</p>	<p>Nëpërmjet këtij dokumenti, i nënshkruari vërteton si përfaqësues i autorizuar i prodhuesit, GARDENA Germany AB, PO Box 7454, S-103 92, Stockholm, Sweden, se, në momentin e largimit nga fabrika, njësia/njësitë e përcaktuara më poshtë është/janë në përputhje me udhëzimet e harmonizuara të BE-së, standardet e sigurisë të BE-së dhe standardet specifike të produktit. Kjo certifikatë bëhet e pavlefshme nëse njësia/njësitë modifikohet/modifikohen pa miratimin tonë.</p> <p>Procedura e vlerësimit të konformitetit sipas nenit 14 të Direktivës 2000/14/KE, Shtojca V, Niveli i zhurmës: i matur/i garantuar⁽¹⁾</p> <p>Dokumentacioni i depozituar⁽²⁾ Viti i markimit CE: 2022 Ulm, 2022-11-01</p>
<p>tr AT Uyumluluk Bildirimi</p> <p>Bahçe pompası Parça No.</p>	<p>Aşağıda imzası bulunan GARDENA Germany AB, PO Box 7454, S-103 92, Stockholm, İsveç üretici yetkili temsilcisi, aşağıda belirtilen ünitelerin fabrikamızdan ayrılarak uyumlu hale getirilmiş AB yönergeleri, AB güvenlik standartları ve ürüne özel standartlara uygun olduğunu onaylamaktadır. Üniteler, onayımız olmadan değiştirilirse bu sertifika geçerliliğini yitirir.</p> <p>2000/14/AT Madde 14 Ek V uyanınca Uyumluluk Değerlendirme prosedürü, Gürültü düzeyi: ölçülmüş/garantili⁽¹⁾</p> <p>Gönderilen Belgeler⁽²⁾ CE İşareti yılı: 2022 Ulm, 2022-11-01</p>
<p>uk Декларация про відповідність ЄС</p> <p>Садовий насос Арт. №</p>	<p>Особи, що підписали цей документ як представники виробника, компанії GARDENA Germany AB, PO Box 7454, S-103 92, Стокгольм, Швеція, цим документом затверджує, що на момент виходу з нашого заводу виробі, що зазначені нижче, відповідали узгодженим вказівкам ЄС, стандартам ЄС із безпеки та спеціальним стандартам, застосованим до цих виробів. У разі внесення не затверджених нами змін до виробів, цей сертифікат анулюється.</p> <p>Було проведено процедуру оцінки відповідності згідно з додатком V статті 14 Директиви Ради Європи 2000/14/ЕС.</p> <p>Рівень шуму, виміряний/гарантований⁽¹⁾</p> <p>Депонована документація⁽²⁾ Рік маркування CE: 2022 м. Ульм, 01.11.2022</p>
<p>5600 Silent+ 9057</p>	<p>(1) 67 dB (A)/69 dB (A)</p> <p>2014/35/EU EN ISO 12100 2014/30/EU EN 60335-1 2011/65/EU EN 60335-2-41 2000/14/EG</p>
<p></p>	<p>(2) GARDENA Manufacturing GmbH M. Jäger Hans-Lorenser-Str. 40 89079 Ulm / Germany</p>
<p></p> <p>Wolfgang Engelhardt Vice President Supply Chain</p>	<p></p> <p>Reinhard Pompe Vice President</p>

Deutschland / Germany
GARDENA Manufacturing GmbH
Central Service
Hans-Lorenser-Straße 40
D-89079 Ulm
Produktfragen:
(+49) 731 490-123
Reparaturen:
(+49) 731 490-290
service@gardena.com
http://www.gardena.com

Albania
KRAFT SHPK
Autostrada Tirane-Durres
Km 7
1051 Tirane
Phone: (+355) 69 877 7821
info@kraft.al

Argentina
ROBERTO C. RUMBO S.R.L.
Predio Norlog
Lote 7
Benavidez, ZC: 1621
Buenos Aires
Phone: (+54) 11 5263-7862
ventas@rumbosr.com.ar

Armenia
AES Systems LLC
Marshal Babajanyan Avenue 56/2
0022 Yerevan
Phone: (+374) 60 651 651
masisohanyan@cloud.com

Australia
Husqvarna Australia Pty. Ltd.
Locked Bag 5
Central Coast BC
NSW 2252
Phone: (+61) (0) 2 4352 7400
customer.service@husqvarna.com.au

Austria / Österreich
Husqvarna Austria GmbH
Industriezeile 36
4010 Linz
Tel.: (+43) 732 77 01 01-485
service.gardena@husqvarnagroup.com

Azerbaijan
Progress Xüsusi Firması
Aliyar Aliyev 212, Bakı, Azərbaycan
Sales: +994 70 326 07 14
Aftersales: +994 77 326 07 14
www.progress-garden.az
info@progress-garden.az

Bahrain
M.H. Al-Mahroos
BUILDING 208, BLOCK 356,
ROAD 328
Salihiya
Phone: +973 1740 8090
almahroos@almahroos.com

Belarus / Беларусь
ООО «Мастер Гарден»
220118, г. Минск,
улица Шаранговича, дом 7а
Тел. (+375) 17 257 00 33
mg@mastergarden.by

Belgium
Husqvarna Belgium nv
Gardena Division
Leuvensesteenweg 542
Planet II E
1930 Zaventem
België

Bosnia / Hercegovina
Silk Trade d.o.o.
Poslovna Zona Vila Br: 20
Phone: (+387) 61 165 593
info@silktrade.com.ba

Brazil
Nordtech Maquinas e Motores Ltd.
Avenida Juscelino Kubitschek de Oliveira
Curitiba
3003 Brazil
Phone: (+55) 41 3595-9600
contato@nordtech.com.br
www.nordtech.com.br

Bulgaria
AGROLAND България АД
бул. 8 Декември, № 13
Офис 5
1700 Студентски град
София
Тел.: (+359) 24 66 6910
info@agroland.eu

Canada / USA
GARDENA Canada Ltd.
125 Edgeware Road
Unit 15 A
Brampton L6Y 0P5
ON, Canada
Phone: (+1) 905 972 93 30
gardena.customer.service@
husqvarnagroup.com

Chile
REPRESENTACIONES JCE S.A.
2286 Avenida General Oscar Bonilla
Concepcion
Phone: (+56) 2 2414 2600
contacto@jce.cl

China
Husqvarna (Shanghai)
Management Co., Ltd.
富世华 (上海) 管理有限公司
3F, Beng Square B,
No 207, Song Hong Rd.,
Chang Ning District,
Shanghai, P.R.C. 200335
上海市长宁区淞虹路207号明
基广场B座3楼; 邮编: 200335

Colombia
Equipos de Toyama Colombia SAS
Cra. 68 D No 25 B 86 Of. 618
Edificio Torre Central
Bogota
Phone: +57 (1) 703 9520 / +57 (1) 703 9522
serviciocliente@toyama.com.co
www.toyama.com.co

Costa Rica
Exim CIA Costa Rica
Calle 25A, B°. Monteleagre
Zapote
San José
Costa Rica
Phone: (+506) 2221-5654 / (+506) 2221-5659
eximcostarica@gmail.com

Croatia
Husqvarna Austria GmbH
Industriezeile 36
4010 Linz
Phone: (+43) 732 77 01 01-485
service.gardena@husqvarnagroup.com

Cyprus
Pantelis Papadopoulos S.A.
92 Athinon Avenue
Athens
10442 Greece
Phone: (+30) 21 0519 3100
info@papadopoulos.com.gr

Czech Republic
Gardena
Service Center Vrbno
c/o Husqvarna
Manufacturing CZ s.r.o.
Jesenická 146
79326 Vrbno pod Prádedem
Phone: 800 100 425
servis@gardena.cz

Denmark
GARDENA DANMARK
Lejrvvej 19, st.
3500 Værløse
Tlf.: (+45) 70 26 47 70
www.gardena@husqvarna.dk
www.gardena.com/dk

Dominican Republic
BOSQUESA S.R.L.
Carretera Santiago Licey
Km. 5 ½
Esquina Copal II.
Santiago De Los Caballeros
51000 Dominican Republic
Phone: (+1) 809-562-0476
contacto@bosquesa.com.do

Egypt
Universal Agencies Co
26, Abdel Hamid Lotfy St.
Giza
Phone: (+20) 3761 5757

Estonia
Husqvarna Eesti OÜ
Valdeku 132
EE-11216 Tallinn
info@gardena.ee

Finland
Oy Husqvarna Ab
Juurakotie 5 B 2
01510 Vantaa
www.gardena.fi

France
Husqvarna France
9/11 Allée des pierres mayettes
92635 Gennemilliers Cedex
France
http://www.gardena.com/fr
N° AZUR: 0 810 00 78 23
(Prix d'un appel local)

Georgia
Transporter LLC
#70, Belashvili street
0159 Tbilisi, Georgia
Number: (+995) 322 14 71 71
info@transporter.com.ge
www.transporter.com.ge

**Service Address and
Importer to Great Britain**
Husqvarna UK Ltd
Preston Road
Aycliffe Industrial Park
Newton Aycliffe
County Durham
DL5 6UP
Phone: (+44) (0) 344 844 4558
info.gardena@husqvarna.co.uk

Greece
Π.ΠΑΠΑΔΟΠΟΥΛΟΣ ΑΕΒΕ
Λεωφ. Αθήνων 32
Αθήνα
T.K.104 42
Ελλάδα
Τηλ. (+30) 210 5193 100
info@papadopoulos.com.gr

Hong Kong
Tung Tai Company
151-153 Hoi Bun Road
Kwun Tong, Kowloon
Hong Kong
Phone: (+852) 3583 1662
admin@tungtaico.com

Hungary
Husqvarna Magyarországi Kft.
Ezred u. 1 – 3
1044 Budapest
Phone: (+36) 1 251-4161
vevoszagalat.husqvarna@husqvarna.hu

Iceland
BYKO ehf.
Skemmuvegi 2a
200 Kópavogur
Phone: (+354) 515 4000
byko@byko.is

India
MHG Verslun ehf
Vikurhvarf 8
203 Kópavogur
Phone: (+354) 544 4656

Indonesia
B K RAWAN AND CO
Plot No. 195, Industrial Area,
Phase-2, Ram Darbar
Chandigarh
160002 India
Phone: (+91) 98140 06530
raman@jaganhardware.com

Iraq
Alshiemal Alakhdar Company
Al-Faysaleeh, Near Estate Bank
Mosul
Phone: (+964) 78 18 18 46 75

Ireland
Liffey Distributors Ltd.
309 NW Business Park, Ballycoolen
15 Dublin
Phone: (+353) 1 824 2600
info@liffeyd.com

Israel
HAGARIN LTD.
2 Nahal Harif St.
8122201 Yavne
internet@hagarin.co.il
Phone: (+972) 8-932-0400

Italy
Husqvarna Italia S.p.A.
Centro Direzionale Pianum
Via del Lavoro 2, Scala B
22036 ERBA (CO)
Phone: (+39) (0) 31 414 7700
assistenza.italia@it.husqvarna.com

Japan
Husqvarna Zenoh Co. Ltd. Japan
1-9 Minamidai, Kawagoe
350-1165 Saitama
Japan
gardena-jp@husqvarnagroup.com

Kazakhstan
TOO "Ламэд"
Russian
Адрес: Казахстан, г. Алматы,
ул. Тажибаевой, 155/1
Тел.: (+7) (727) 355 64 00 / (+7) (700) 355 64 00
lamed@lamed.kz

Kazakh
Мекен-жайы: Қазақстан,
Алматы қ.,
көш. Тежибаевой, 155/1
Тел.: (+7) (727) 355 64 00 / (+7) (700) 355 64 00
lamed@lamed.kz

Kuwait
Palms Agro Production Co
Al Rai- Fourth Ring Road – Block 56.
P.O.Box: 1976 Safat
13020 Al-Rai
Phone: (+965) 2473 0745
info@palms-kw.com

Kyrgyzstan
OoSo Aiyé Maki
Av. Molodaya Guardia 83
720014 Bishkek
Phone: (+996) 312 322115

Latvia
Husqvarna Latvija SIA
Ulbrokas 19A
LV-1021 Riga
info@gardena.lv

Lebanon
Technomec
Satra Highway (Beirut – Tripoli) Center
622 Mezher Bldg.
P.O.Box 215
Jounieh
Phone: (+961) 9 853527 / (+961) 3 855481
technomec@idm.net.lb

Lithuania
UAB Husqvarna Lietuva
Ateities pl. 77C
LT-52104 Kaunas
info@gardena.lt

Luxembourg
Magasins Jules Neuberger
39, rue Jacques Stas
Luxembourg-Gasperich 2549
Case Postale No. 12
Luxembourg 2010
Phone: (+352) 40 14 01
api@neuberger.lu

Malaysia
Glomedic International Sdn Bhd
Jalan Ruang No. 30
Shah Alam, Selangor
40150 Malaysia
Phone: (+60) 3-7734 7997
oase@glomedic.com.my

Malta
I.V. Portelli & Sons Ltd.
85, 86, Triq San Pawl
Rabat - RBT 1240
Phone: (+356) 2145 4289

Mauritius
Espace Maison Ltée
La City Trianon, St Jean
Quatre Bornes
Phone: (+230) 401 6950
info@espacemaison.mu

Mexico
AFOSA
Av. Lopez Mateos Sur # 5019
Col. La Calma 45070
Zapopan, Jalisco, Mexico
Phone: (+52) 33 3818-3434
isolis@afosa.com.mx

Moldova
Convel SRL
Republica Moldova,
mun. Chisinau,
sos. Muncesti 284
Phone: (+373) 22 857 126
www.convel.md

Mongolia
Soyol Gardening Shop
Nami Rd
Ulaanbaatar
14230 Mongolia
Phone: +976 7777 5080
soyol@maginon.net.mn

Morocco
Proekip
64 Rue de la Participation
Casablanca-Roches Noires
20303 Morocco
Phone: (+212) 661342107
hicham.hafani@proekip.ma

Netherlands
Husqvarna Nederland B.V.
GARDENA Division
Postbus 50131
1305 AC ALMERE
Phone: (+31) 36 521 00 10
info@gardena.nl

Neth. Antilles
Jonka Enterprises N.V.
Sta. Rosa Weg 196
P.O. Box 6200
Curaçao
Phone: (+599) 9 767 66 55
info@jonka.com

New Zealand
Husqvarna New Zealand Ltd.
PO Box 76-437
Manukau City 2241
Phone: (+64) (0) 9 9202410
support.nz@husqvarna.co.nz

North Macedonia
Sinpeks d.o.o
Ul. Kravarski Pat Bb
7000 Bitola
Phone: (+389) 47 20 85 00
sinpeks@mt.net.mk

Norway
Husqvarna Norge AS
Gardena Division
Trøskerveien 36
1708 Sarpsborg
info@gardena.no

Northern Cyprus
Mediterranean Home & Garden
No 150 Alsancak, Karaođlanođu Caddesi
Girne
Phone: (+90) 392 821 33 80
info@medgardener.com

Oman
General Development Services
PO 1475, PC - 111
Seeb
111 Oman
Phone: 968 24 58 28 16
gdsoman@gdsoman.com

Paraguay
Agrofield SRL
Av. CHOFERES DEL CHACO
1449 C/25 DE MAYO
Asuncion
Phone: (+595) 21 608 656
consultas@agrofield.com.py

Peru
Sierpas y Herramientas Forestal SAC
Av. Las Gaviotas 833, Chorrillos
Lima
Phone: (+51) 1 252 02 52
supervisorventas1@siersac.com
www.siersac.com

Philippines
Royal Dragon Traders Inc
10 Linaw Street, Barangay Saint Peter
Quezon City
1114 Philippines
Phone: (+63) 2 7426893
aida.fernandez@rdti.com.ph

Poland
Gardena Service Center Vrbno
c/o Husqvarna Manufacturing CZ s.r.o.
Jesenická 146
79326 Vrbno pod Prádedem
Czech Republic
Phone: (22) 336 78 90
servis@gardena.pl

Portugal
Husqvarna Portugal, SA
Lagoa - Albarraque
2635 - 595 Rio de Mouro
Phone: (+351) 21 922 85 30
Fax : (+351) 21 922 85 36
info@gardena.pt

Romania
Madex International Srl
Soseaua Odaii 117 - 123,
RO 013603 Bucuresti, S1
Phone: (+40) 21 352 7603
madex@ines.ro

Russia / Россия
ООО „Хускварна“
141400, Московская обл.,
г. Химки,
улица Ленинградская,
владение 39, стр.6
Бизнес Центр
„Химки Бизнес Парк“,
помещение 0B02_04
http://www.gardena.ru

Saudi Arabia
SACO
Takhassusi Main Road P.O. Box: 86387
Riyadh 12963
40011 Saudi Arabia
Phone: (966) 11 482 8877
webmaster@saco-ksa.com

Al Futtaim Pioneer Trading
5147 Al Faraoo Dist.
Riyadh 7991
Phone: (+971) 4 206 6700
Owais.Khan@alfuttaim.com

Serbia
Domel d.o.o.
Slobodana Đurića 21
11000 Beograd
Phone: (+381) 11 409 57 12
office@domel.rs

Singapore
Hy-Ray PRIVATE LIMITED
40 Jalan Pemimpin
#02-08 Tat Ann Building
Singapore 57165
Phone: (+65) 6253 2277
info@hyray.com.sg

Slovak Republic
Gardena
Service Center Vrbno
c/o Husqvarna
Manufacturing CZ s.r.o.
Jesenická 146
79326 Vrbno pod Prádedem
Phone: 0800 154044
servis@gardena.sk

Slovenia
Husqvarna Austria GmbH
Industriezeile 36
4010 Linz
Phone: (+43) 732 77 01 01-485
service.gardena@husqvarnagroup.com

South Africa
Husqvarna South Africa (Pty) Ltd
Lifestyle Business Park – Ground Floor Block A
Cnr Bessiers Naude Drive and Ysterhout Road
Randpark Ridge, Randburg
Phone: (+27) 10 015 5750
service@gardena.co.za

South Korea
Kyung Jin Trading Co., Ltd
8F Haengbok Building, 210, Gangnam-Daero
137-891 Seoul
Phone: (+82) 2 574 6300
kjh@kjh.co.kr

Spain
Husqvarna España S.A.
Calle de Rivas nº 10
28052 Madrid
Phone: (+34) 91 708 05 00
atencioncliente@gardena.es

Sri Lanka
Hunter & Company Ltd.
130 Front Street
Colombo
Phone: 94-11 232 81 71
hunters@eureka.lk

Suriname
Deto Handelmaatschappij N.V.
Kernkampweg 72-74
P.O. Box: 12782
Paramaribo
Suriname
Phone: (+597) 438050
info@deto.sr

Sweden
Husqvarna AB /
GARDENA Sverige
Drottninggatan 2
561 82 Huskvarna
Sverige
Phone: (+46) (0) 36-14 60 02
service@gardena.se

Switzerland / Schweiz
Husqvarna Schweiz AG
Consumer Products
Industriestrasse 10
5506 Mägerwil
Phone: (+41) (0) 62 887 37 90
info@gardena.ch

Taiwan
Hong Ying Trading Co., Ltd.
No. 46 Wu-Kun-Wu Road
New Taipei City
Phone: (+886) (02) 2298 1486
salesgd1@7friends.com.tw

Tajikistan
ARIERS JV LLC
39, Ayni Street, 734024
Dushanbe, Tajikistan

Thailand
Spica Co. Ltd
243/2 Onnuch Rd., Prawat
Bangkok
10250 Thailand
Phone: (+66) (0)2721 7373
surapong@spica-siam.com

Tunisia
Société du matériel agricole et maritime
Nouveau port de peche de Sfax Ep 33
Sfax 3065
Phone: (+216) 98 419047 / (+216) 74 497614
commercial@smartunisia.com

Türkiye
Dost Bahçe
Yunus Mah. Adil Sk. No:3
Kartal
Istanbul
34873 Türkiye
Phone: (+90) 216 389 39 39

Turkmenistan
I.E. Orazmuhammedov Nurmuhammet
80 Ataturk, BERKARAR Shopping Center,
Ground floor, A7/7,
Ashgabat 74000
TURKMENISTAN
Phone: (+993) 12 468859
Mob: (+993) 62 22887
info@jayhymat.com /
bekgiyev@jayhymat.com
www.jayhymat.com

UAE
Al-Futtaim ACE Company
L.L.C Building, Al Rebat Street
Festival City, Dubai
7880 UAE
Phone: (+971) 4 206 6700
ace@alfuttaim.com

Ukraine / Україна
AT «Альцест»
вул Петропавлівська 4
08130, Київська обл. Києво-Святошинський
р-н, с. Петропавлівська Борщагівка
Україна
Тел.: (+38) 0 800 503 000

Uruguay
FELI SA
Entre Rios 1083
11800 Montevideo
Phone: (+598) 2203 1844
info@felisa.com.uy

Uzbekistan
AGROHOUSE MChJ
O'zbekiston, 111112
Toshkent viloyati
Toshkent tumani
Hasanboy QFY, THAY yoqasida
Phone: (+998) 93 54 14 14
(+998)-71-2098688
info@agro.house
www.agro.house

Vietnam
Vision Joint Stock Company
BT1-17, Khu biet thu – Khu Doan ngoai giao
Nguyen Xuan Khoat
Xuan Dinh, Bac Tu Liem
Hanoi, Vietnam
Phone: (+8424)-38462833/34
quynhnm@visionjsc.com.vn

Zimbabwe
Cutting Edge
159 Citroen Rd, Msasa
Harare
Phone: (+263) 8677 008685
sales@cuttingedge.co.zw