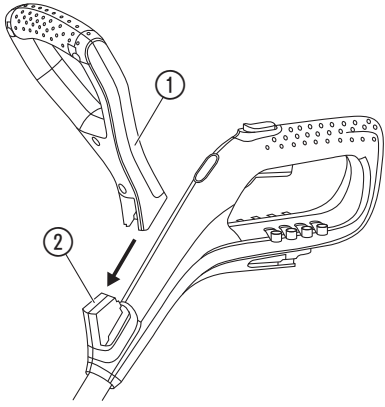
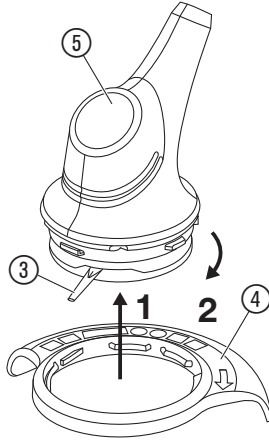
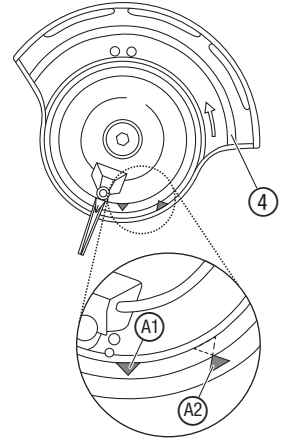
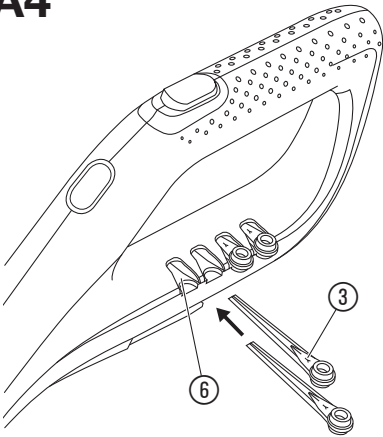
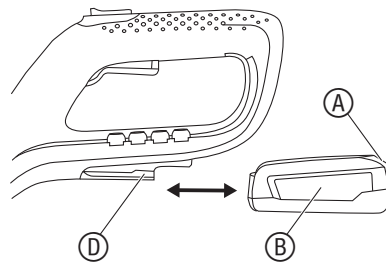
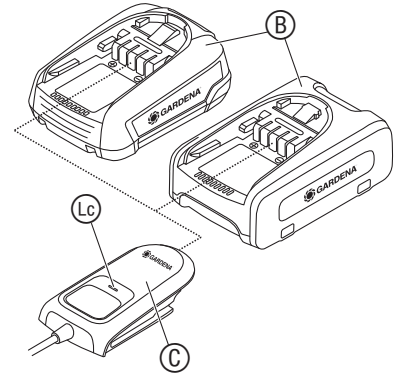
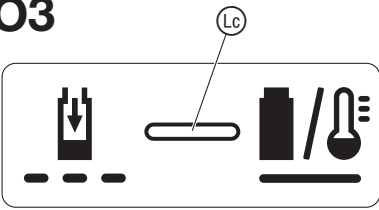
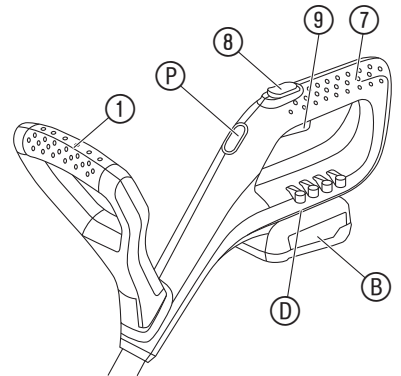
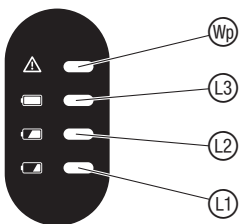
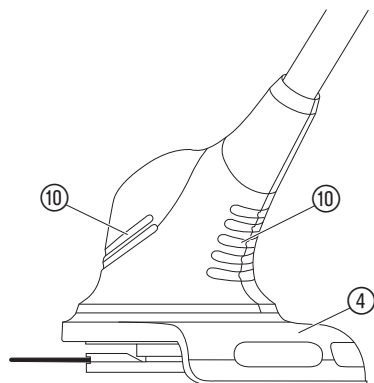
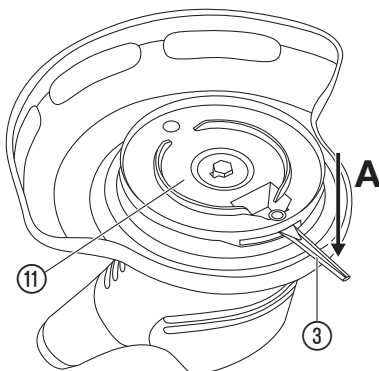
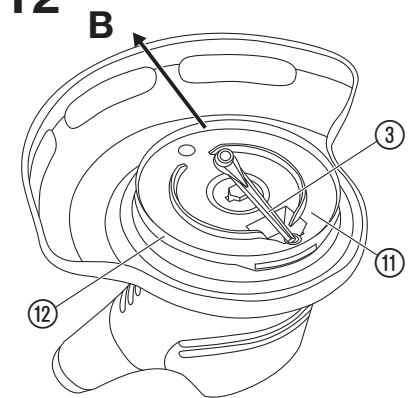


SmallCut 23/18V P4A

Art. 14702



**A1****A2****A3****A4****O1****O2****O3****O5****O6****O4****M1****T1****T2**

## EN Battery Trimmer

1. SAFETY .....	9
2. ASSEMBLY.....	10
3. OPERATION.....	10
4. MAINTENANCE .....	11
5. STORAGE .....	11
6. TROUBLESHOOTING.....	11
7. TECHNICAL DATA .....	12
8. ACCESSORIES.....	12
9. SERVICE/WARRANTY.....	12

### Translation of the original instructions.



This product may be used under supervision, or if instruction regarding the safe use of the product has been provided and the resulting dangers have been understood, by children aged 8 and above, as well as by persons with physical, sensory or mental disabilities or a lack of experience and knowledge. Children must not be allowed to play with the product. Cleaning and user maintenance must not be performed by children without supervision. The use of this product by young people under the age of 16 is not recommended.

### Intended use:

The **GARDENA Trimmer** is intended to trim and to cut lawn and areas of grass in private domestic gardens and allotments.

The product is not intended for long term use.



**DANGER! Risk of physical injury!**

→ Do not use the product to cut hedges, to chop up material or to make compost.

# 1. SAFETY

## IMPORTANT!

Read the operator's manual carefully before use and keep for future reference.

### Symbols on the product:



Read operator's manual.



Keep bystanders away.



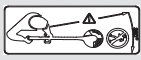
Always wear approved hearing protection.  
Always wear approved eye protection.



Remove the Battery before cleaning or maintenance.



Do not expose to rain.



**DANGER! Risk of injury to other people!**  
Keep other people out of the area where you are working.



**For the charger:**  
Remove plug from the mains immediately if the cable is damaged or cut.

### General safety warnings

#### Electrical safety



**DANGER! Electric shock!**

**Risk of injury due to electric shock.**

→ **The product must be supplied through a residual current device (RCD) having a rated residual operating current not exceeding 30 mA.**

Do not overreach and keep the balance at all times. Always be sure of the footing on slopes. Walk, never run.

Do not touch moving hazardous parts before the machine is disconnected from the mains and the moving hazardous parts have come to a complete stop.

Always wear substantial footwear and long trousers while operating the machine.

#### Safe operating practices

##### 1 Training

- Read the instructions carefully. Be familiar with the controls and the correct use of the machine.
- Never allow children or people unfamiliar with these instructions to use the machine. Local regulations can restrict the age of the operator.
- Keep in mind that the operator or user is responsible for accidents or hazards occurring to other people or their property.

##### 2 Preparation

a) Before use check the supply and extension cord for signs of damage or aging. If the cord becomes damaged during use, disconnect the cord from the supply immediately.

**DO NOT TOUCH THE CORD BEFORE DISCONNECTING THE SUPPLY.**  
Do not use the machine if the cord is damaged or worn.

- Before use, always visually inspect the machine for damaged, missing or misplaced guards or shields.
- Never operate the machine while people, especially children, or pets are nearby.

##### 3 Operation

- Keep supply and extension cords away from cutting means.
- Wear eye protection and stout shoes at all times while operating the machine.
- Avoid using the machine in bad weather conditions especially when there is a risk of lightning.
- Use the machine only in daylight or good artificial light.
- Never operate the machine with damaged guards or shields or without guards or shields in place.
- Switch on the motor only when the hands and feet are away from the cutting means.
- Always disconnect the machine from the power supply (i.e. remove the plug from the mains, remove the disabling device or removable battery)
  - whenever the machine is left unattended;
  - before clearing a blockage;
  - before checking, cleaning or working on the machine;
  - after striking a foreign object;
  - whenever the machine starts vibrating abnormally.

- Take care against injury to feet and hands from the cutting means.
- Always ensure that the ventilation openings are kept clear of debris.

#### 4 Maintenance and storage

- Disconnect the machine from the power supply (i.e. remove the plug from the mains, remove the disabling device or removable battery) before carrying out maintenance or cleaning work.
- Use only the manufacturer's recommended replacement parts and accessories.
- Inspect and maintain the machine regularly. Have the machine repaired only by an authorized repairer.
- When not in use, store the machine out of the reach of children.

### Additional safety warnings

#### Battery safety



**Read all the safety and general instructions.**

Failure to observe the safety and general instructions may result in electric shock, fire and/or serious injury.

#### Store these instructions in a safe place.

Only use the charger if you can fully evaluate all functions and carry them out without restrictions, or if you have received corresponding instructions.

→ **Supervise children during use, cleaning and maintenance.**

This will ensure that children do not play with the charger.

→ **Charge only lithium-ion batteries of the POWER FOR ALL system type PBA 18V with a capacity of 1.5 Ah or more (5 battery cells or more). The battery voltage must match the battery charging voltage of the charger. Do not charge any non rechargeable batteries.**

Otherwise there is a risk of fire and explosion.

→ **Do not expose the charger to rain or wet conditions.**



Water entering a power tool will increase the risk of electric shock.

→ **Keep the charger clean.** Dirt poses a risk of electric shock.

→ **Always check the charger, cable and plug before use. Stop using the charger if you discover any damage. Do not open the charger yourself, and have it repaired only by a qualified specialist using only original replacement parts.**

Damaged chargers, cables and plugs increase the risk of electric shock.

→ **Do not operate the charger on an easily ignited surface (e.g. paper, textiles, etc.) or in a flammable environment.**

There is a risk of fire due to the charger heating up during operation.

→ In order to avoid safety hazards, if the power supply cord needs to be replaced, this must be done by GARDENA or by a customer service centre that is authorised to repair GARDENA power tools.

→ **Do not operate the product while it is charging.**

**Products sold in GB only:** Your product is fitted with an BS 1363/A approved electric plug with internal fuse (ASTA approved to BS 1362). If the plug is not suitable for your socket outlets, it should be cut off and an appropriate plug fitted in its place by an authorised customer service agent. The replacement plug should have the same fuse rating as the original plug. The severed plug must be disposed of to avoid a possible shock hazard and should never be inserted into a mains socket elsewhere.

→ **These safety warnings apply only for lithium-ion batteries of the POWER FOR ALL system PBA 18V.**

→ **Only use the battery with products of the POWER FOR ALL system manufacturers.** This is the only way in which you can protect the battery against dangerous overload.

→ **Recharge only with the charger specified by the manufacturer.**

A charger that is suitable for one type of battery pack may create a risk of fire when used with another battery pack.

→ **The battery is supplied partially charged.**

To ensure full battery capacity, fully charge the battery in the charger before using your power tool for the first time.

→ **Keep battery packs out of the reach of children.**

→ **Do not open the battery.** There is a risk of short-circuiting.

→ **In case of damage and improper use of the battery, vapours may be emitted. The battery can set alight or explode.**

Ensure the area is well ventilated and seek medical attention should you experience any adverse effects. The vapours may irritate the respiratory system.

→ **If used incorrectly or if the battery is damaged, flammable liquid may be ejected from the battery. Contact with this liquid should be avoided. If contact accidentally occurs, rinse off with water. If the liquid comes into contact with your eyes, seek additional medical attention.**

Liquid ejected from the battery may cause irritation or burns.

→ **If the battery is damaged liquid can be ejected and cover nearby surfaces. Check affected parts.**

Clean these parts or change them if necessary.


→ **Do not short-circuit the battery pack. When the battery pack is not in use, keep it away from other metal objects, like paper clips, coins, keys, nails, screws or other small metal objects, that can make a connection from one terminal to another.**

Shorting the battery terminals together may cause burns or a fire.

→ **The battery contacts can be hot after use. Be careful of the hot contacts when removing the battery.**

→ **The battery can be damaged by pointed objects such as nails or screwdrivers or by force applied externally.** An internal short circuit may occur, causing the battery to burn, smoke, explode or overheat.

→ **Never service damaged battery packs.** Service of battery packs should only be performed by the manufacturer or authorized service providers.

-  **Protect the battery against heat, e.g. against continuous intense sunlight, fire, dirt, water and moisture.**  
There is a risk of explosion and short-circuiting.
- **Only operate and store the battery at an ambient temperature between -20 °C and +50 °C.** Do not leave the battery in your car in the summer, for example. At temperatures of <0 °C some devices may experience a loss of power.
- **Only charge the battery at an ambient temperature which is between 0 °C and +45 °C.** Charging outside of this temperature range can increase the risk of damage to the battery and pose a fire hazard.
- **After use, allow the battery to cool down for at least 30 minutes before charging or storing.**

**Electrical safety**



**DANGER! Cardiac arrest!**

This product makes an electromagnetic field while it operates. This field may under some conditions interfere with active or passive medical implants. To decrease the risk of conditions that can possibly injure or kill, we recommend persons with medical implants to speak with their physician and the medical implant manufacturer before you operate the product.

Keep the external mains cable in visible area. Check the area of hidden cables before cutting.

Only use the battery product between 0 °C to 40 °C.

Disconnect the battery in case of emergency.

Do not use the product nearby a water, or for pond care.

Protect the battery contacts from moisture.

**Personal safety**



**DANGER! Risk of suffocation!**

Small parts can be easily swallowed. There is also a risk that the poly-bag can suffocate toddlers. Keep toddlers away when you assemble the product.

Finger entrapment: Watch out for your fingers while assembling the protective cover.

If the trimmer vibrates heavily, replace the blade and check the blade holder for damage.

Check the wear rib if ok before usage.

Use the front handle to transport the trimmer.

Use personal protective equipment.

Wear gloves for cleaning the cutting device.

Always wear eye protection.

Protective equipment such as gloves, non-skid safety shoes, or hearing protection used for appropriate conditions will reduce personal injuries.

Be careful during adjustment of the product to prevent entrapment of the fingers between moving and fixed parts of the machine, or while assembling the protective cover.

Don't use water, or chemical substances for cleaning the guard or other parts of the trimmer.

Keep all nuts, bolts and screws tight to be sure the product is in a safe working condition.

Do not disassemble the product further than the delivery status.

Warning! When wearing hearing protection, and due to the noise produced by the product, the operator may not notice persons approaching.

While operation and transport pay special attention to the hazard for other people.

Stay alert, watch what you are doing and use common sense when operating a power tool.

Do not use a power tool while you are tired or under the influence of drugs, alcohol or medication.

A moment of inattention while operating power tools may result in serious personal injury.

1. Put the protective cover ④ to the trimmer head ⑤ while you feed the plastic blade ③ through the opening in the protective cover ④.
2. Rotate the protective cover ④ until it can be completely pushed on (the arrows ①/② face each other).
3. Rotate the protective cover ④ anti-clockwise until the connection audibly engages. (click).

**To attach the plastic blade to handle [Fig. A4]:**

The scope of delivery includes 5 plastic blades ③. There are 4 spare plastic blades in the openings ⑥ on the handle.

For the assembly of the plastic blade into the blade holder, see 6. TROUBLESHOOTING *To replace the plastic blade.*

**3. OPERATION**



**DANGER! Risk of physical injury!**

**Cut injury when the product starts accidentally.**

- **Wait for the plastic blade to stop and remove the battery before you transport the product.**

**To charge the battery [Fig. O1/O2/O3]:**



**CAUTION!**

**Note the mains voltage!** The voltage of the power source must match the voltage specified on the rating plate of the charger.

**For the GARDENA Battery Trimmer Art. 14702-55 there is no battery and no charger in the scope of delivery.**

Thanks to the intelligent charging process, the charge condition of the battery is automatically detected and then charged up with the optimal charge current depending on battery temperature and voltage.

In this way, the battery is treated with care and remains permanently fully charged when it is stored in the charger.

1. Push the locking button ① and remove the battery ② from the battery holder ③.
2. Connect the battery charger ④ into a mains socket.
3. Slide the battery charger ④ onto the battery ②.

**When the battery charge indicator ⑤ at the charger flashes green the battery is being charged.**

**When the battery charge indicator ⑤ at the charger illuminates permanently green the battery is completely charged** (Charging time, see 7. TECHNICAL DATA).

4. Examine the charge status regularly while you charge.
5. When the battery ② is completely charged, you can disconnect the battery ② from the charger ④.

**Meaning of the indication elements:**

**Indication on the charger [Fig. O3]:**

**Flashing of the Battery Charge Indicator ⑤** The charging procedure is indicated by **flashing** of the battery charge indicator ⑤.



**Note:** The charging procedure is only possible when the battery temperature is within the allowable charging temperature range, see 7. TECHNICAL DATA.

**Continuous Lighting of the Battery Charge Indicator ⑤**



**Continuous lighting** of the battery charge indicator ⑤ indicates that the battery is fully charged **or** that the temperature of the battery is not within the allowable charging temperature range and can therefore not be charged.

When the battery is not inserted, **continuous lighting** of the battery charge indicator ⑤ indicates that the mains plug is inserted in the socket outlet and that the battery charger is ready for operation.

**Battery charge status indication ⑥ on the product [Fig. O4/O6]:**

**After starting the product, the battery charge status indication ⑥ is displayed for 5 seconds.**

**2. ASSEMBLY**



**DANGER! Risk of physical injury!**

**Cut injury when the product starts accidentally.**

- **Wait for the plastic blades to stop and remove the battery before you assemble the product.**

**To assemble the additional handle [Fig. A1]:**

- Slide the additional handle ① on the top part of the handle ② until it audibly engages (click).

**To assemble the protective cover [Fig. A2/A3]:**



**DANGER!**

**The product may only be used when the protective cover is assembled.**

Battery charge status	Battery charge status indication
67 – 100 % charged	Ⓐ, Ⓑ and Ⓒ illuminate green
34 – 66 % charged	Ⓐ and Ⓑ illuminate green
11 – 33 % charged	Ⓐ illuminates green
0 – 10 % charged	Ⓐ flashes green

If the LED Ⓐ flashes green, the battery must be charged.

If the error LED Ⓓ is illuminated or flashing, see 6. TROUBLESHOOTING.

#### Working position [Fig. O5]:

For standard trimming.

#### To start the trimmer [Fig. O1/O6]:



**DANGER! Risk of physical injury!**

**Risk of injury if the product does not stop when you release the start lever.**

→ Do not bypass the safety devices or switches. For example do not attach the start lever to the handle.

The product is provided with a two-switch safety device (start lever with starting lockout) to prevent the product from being turned on by accident.

#### To start:

- Put the battery Ⓑ into the battery holder Ⓓ until it audibly engages.
- Hold the additional handle Ⓐ with one hand.
- Hold the main handle Ⓒ with the other hand, slide the starting lockout Ⓔ forward and pull the start lever Ⓕ.  
*The trimmer starts and the battery charge status indication Ⓒ is displayed for 5 seconds.*
- Release the starting lockout Ⓔ again.

**CAUTION!** Avoid contact of the plastic blade and the blade carrier with hard objects (walls, stones, fences etc.) to prevent the plastic blade and the blade carrier from wearing or breaking.

#### To stop:

- Release the start lever Ⓕ.  
*The trimmer stops.*
- Push the locking button Ⓐ and remove the battery Ⓑ from the battery holder Ⓓ.

## 4. MAINTENANCE



**DANGER! Risk of physical injury!**

**Cut injury when the product starts accidentally.**

→ Wait for the plastic blade to stop and remove the battery before you maintain the product.

#### To clean the Trimmer [Fig. M1]:



**DANGER! Risk of physical injury!**

**Risk of injury and risk of damage to the product.**

- Do not clean the product with water or with a water jet (in particular high-pressure water jet).
- Do not clean with chemicals including petrol or solvents. Some can destroy critical plastic parts.

The airflow slots must always be clean.

- Clean the airflow slots Ⓓ with a soft brush (do not use a screwdriver).
- Clean all movable parts after each operation. Especially remove any grass and dirt from the protective cover Ⓔ.

#### To clean the battery and the battery charger:

Make sure that the surface and the contacts of the battery and the battery charger always are clean and dry before you connect the battery charger.

**Do not use running water.**

- **Battery charger:** Clean the contacts and the plastic parts with a soft and dry cloth.
- **Battery:** Occasionally clean the ventilation slots and the terminals on the battery using a soft brush that is clean and dry.

## 5. STORAGE

#### To put into storage:

The product must be stored away from children.

- Remove the battery.
- Charge the battery.
- Clean the trimmer, the battery and the battery charger (see 4. MAINTENANCE).
- Store the trimmer, the battery and the battery charger in a dry, enclosed and frost-free place.

#### Disposal:

(in accordance with RL2012/19/EC/S.I. 2013 No. 3113)



The product must not be disposed of to normal household waste. It must be disposed of in line with local environmental regulations.

#### IMPORTANT!

→ Dispose of the product through or via your municipal recycling collection centre.

#### Disposal of the battery:



The battery contains lithium-ion cells that should not be disposed of with normal household waste at the end of its life.

Li-ion

#### IMPORTANT!

→ Dispose of the batteries through or via your municipal recycling collection centre.

- Discharge the lithium-ion cells completely (contact the GARDENA Service).
- Protect the contacts on the lithium-ion cells against short circuits.
- Dispose of the lithium-ion cells properly.

## 6. TROUBLESHOOTING



**DANGER! Risk of physical injury!**

**Cut injury when the product starts accidentally.**

→ Wait for the plastic blade to stop and remove the battery before you troubleshoot the product.

#### To replace the plastic blade [Fig. T1/T2]:



**DANGER! Risk of cutting injuries!**

→ Do not use metal cutting elements or spare parts and accessories not intended for use by GARDENA.

If the wear rib Ⓓ is no longer visible, the blade carrier Ⓙ must be replaced. Contact the GARDENA Service.

The plastic blades may only become worn to half the original length at most. Only use original GARDENA Spare Blades RotorCut. Spare plastic blades are available from your GARDENA dealer or direct from GARDENA Service.

- GARDENA Spare Blades RotorCut for Turbotrimmer Art. 5368







#### To remove the plastic blade:

- Turn the trimmer over.
- Push the end of the plastic blade down slightly (A), slide the plastic blade Ⓒ inside through the blade carrier Ⓙ (B) and pull it out.

#### To insert the plastic blade:

→ Slide the new plastic blade Ⓒ from inside through the slot in metal of the blade carrier Ⓙ until it audibly engages (click).  
*When the new plastic blade is correctly inserted, it can be moved more easily.*

Problem	Possible Cause	Remedy
Trimmer is not cutting cleanly or not cutting at all	Plastic blade is worn or too short.	→ Replace the plastic blade.

Problem	Possible Cause	Remedy
<b>Trimmer is not cutting cleanly or not cutting at all</b>	Plastic blade is broken off.	→ Replace the plastic blade.
<b>Trimmer vibrates severely</b>	Plastic blade is excessively worn and creates an unbalance.	→ Replace the plastic blade.
	Blade carrier is worn.	→ Replace the blade carrier.
<b>Trimmer can no longer be stopped</b>	Start lever is stuck.	→ Remove the battery and loosen the start lever.
<b>Trimmer does not start or stops.</b> <b>LED  is flashing green [Fig. 04]</b>	Battery is empty.	→ Charge the battery.
<b>Trimmer does not start or stops.</b> <b>Error-LED  is illuminated red [Fig. 04]</b>	Battery temperature is outside the permissible temperature range.	→ Wait until the battery temperature is between 0 °C – + 45 °C again.
	There are drops of water or moisture between the battery contacts on the trimmer.	→ Remove the water drops/moisture with a dry cloth.
	Engine is blocked.	→ Remove the obstacle. Start again.
<b>Trimmer does not start or stops.</b> <b>Error-LED  is flashing red [Fig. 04]</b>	Product is defective.	→ Contact the GARDENA Service.
<b>Trimmer does not start or stops.</b> <b>Error-LED  is not illuminated [Fig. 04]</b>	Battery is not put completely into the battery holder.	→ Put the battery completely into the battery holder until it audibly engages.
	Battery is defective.	→ Replace the battery.
	Product is defective.	→ Contact the GARDENA Service.
<b>Charging is not possible.</b> <b>Battery charge indicator  is continuously illuminated [Fig. 03]</b>	The battery is not connected (correctly).	→ Connect the battery to charger correctly.
	Battery contacts are dirty.	→ Clean the battery contacts (e. g. by connecting and disconnecting the battery several times. Replace the battery if necessary.
	Battery temperature is outside the permissible charging temperature range.	→ Wait until the battery temperature is between 0 °C – + 45 °C again.
	Battery is defective.	→ Replace the battery.
<b>Battery charge indicator  is not illuminated [Fig. 03]</b>	Mains plug of the charger is not (correctly) plugged in.	→ Insert the mains plug into the mains socket (completely).
	Socket outlet, mains cable or charger is defective.	→ Check the mains voltage. Let the charger be checked if necessary by an authorised specialist dealer or the GARDENA Service.



**NOTE:** For any other malfunctions please contact the GARDENA service department. Repairs must only be done by GARDENA service departments or specialist dealers approved by GARDENA.

## 7. TECHNICAL DATA

Battery Trimmer	Unit	Value (Art. 14702)
<b>Rated current</b>	A	3.0
<b>Rated voltage</b>	V (DC)	18
<b>Cutting width</b>	cm	23
<b>Rpm of blade carrier</b>	R/min.	9500
<b>Weight (without Battery)</b>	g	1630
<b>Sound pressure level <math>L_{pA}^{(1)}</math></b> <b>Uncertainty <math>k_{pA}</math></b>	dB (A)	77 3.0
<b>Sound power level <math>L_{WA}^{(2)}</math>:</b> <b>measured/guaranteed</b> <b>Uncertainty <math>k_{WA}</math></b>	dB (A)	85 / 86 1.5
<b>Hand/arm vibration <math>a_{vhw}^{(1)}</math></b> <b>Uncertainty <math>k_{vhw}</math></b>	m/s <sup>2</sup>	3.2 1.5

Measuring process complying with: <sup>1)</sup> EN 50636-2-91 <sup>2)</sup> RL 2000/14/EC / S.I. 2001 No.1701



**NOTE:** The stated vibration emission value has been measured according to a standardised test procedure and can be used for comparison of one electric power tool with another. It can also be used for preliminary evaluation of exposure. The vibration emission value can vary during actual use of the electric power tool.

System Battery	Unit	Value (Art. 14902) PBA 18V 2,0Ah W-B
<b>Battery voltage</b>	V (DC)	18
<b>Battery capacity</b>	Ah	2,0
<b>Number of cells (Li-Ion)</b>		5

Appropriate POWER FOR ALL system Battery Chargers: AL 1810 CV / AL 1815 CV / AL18-20 / AL 1830 CV / AL 1880 CV.

Battery Charger AL 1810 CV P4A	Unit	Value (Art. 14900)
<b>Mains voltage</b>	V (AC)	220 – 240
<b>Mains frequency</b>	Hz	50 – 60
<b>Rated power</b>	W	26
<b>Battery charging voltage</b>	V (DC)	18
<b>Max. battery charging current</b>	mA	1000
<b>Battery charging time 80% / 97 – 100% (approx.)</b>		
PBA 18V 2,0Ah W-B	min.	96 / 124
PBA 18V 2,5Ah W-B	min.	120 / 154
PBA 18V 4,0Ah W-C	min.	192 / 244
<b>Permitted charging temperature range</b>	°C	0 – 45
<b>Weight according to EPTA-Procedure 01:2014</b>	kg	0,17
<b>Protection class</b>		□ / II

Appropriate POWER FOR ALL system Batteries: PBA 18V.

## 8. ACCESSORIES

<b>GARDENA Spare Blades RotorCut for Turbotrimmer</b>	As replacement for consumed plastic blades.	<b>Art. 5368</b>
<b>GARDENA Replacement blade carrier</b>	Available via the GARDENA Service.	
<b>GARDENA System Battery PBA 18V/45 P4A</b> <b>PBA 18V/72 P4A</b>	Battery for additional duration or for replacement.	<b>Art. 14903</b> <b>Art. 14905</b>
<b>GARDENA Battery Quick Charger AL 1830 CV P4A</b>	Charger for fast charging the POWER FOR ALL System Batteries PBA 18V..W-..	<b>Art. 14901</b>

## 9. SERVICE/WARRANTY

### Service:

Please contact the address on the enclosed warranty card.

### Warranty statement:

The warranty is only granted according to the warranty conditions printed on the enclosed warranty card.

### Consumables:

The plastic blade and the blade carrier are consumables and are not included in the warranty.





**EN UKCA Declaration of Conformity**

The manufacturer: GARDENA Germany AB, PO Box 7454, S-103 92 Stockholm, Sweden hereby certifies, when leaving our factory, the unit(s) indicated below is/are in accordance with the UK Regulations, designated standards of safety and product specific designated standards. This certificate becomes void if the units are modified without our approval.

Description of the Product: **Battery Trimmer**

Product type: **SmallCut 23/18V P4A**

Article Number: **14702**

UK regulations: **S.I. 2008/1597  
S.I. 2016/1091  
S.I. 2012/3032  
S.I. 2001/1701**

Designated Standards: **EN ISO 12100  
EN 60335-1  
EN 50636-2-91**

Conformity assessment body: **Intertek Testing & Certification Ltd.  
Academy Place  
1 – 9 Brook Street  
Brentwood  
Essex  
CM14 5NQ  
United Kingdom**

Number of notified body: **0359**

Authorised Representative: **Husqvarna UK Limited**

Deposited Documentation: **Preston Road  
Aycliffe  
County Durham  
UK  
DL5 6 UP**

Conformity Assessment Procedure: **According to S.I. 2001/1701 Art. 11 Schedule 9**

Noise level: measured / guaranteed **85 dB(A) / 86 dB(A)**

Aycliffe, 15.03.2022

Authorised Representative:



**John Thompson**  
Director

## Deutschland / Germany

GARDENA Manufacturing GmbH  
Central Service  
Hans-Lorenser-Straße 40  
D-89079 Ulm  
Produktfragen:  
(+49) 731 490-123  
Reparaturen:  
(+49) 731 490-290  
www.gardena.com/de/kontakt

## Albania

KRAFT SHPK  
Autostrada Tirane-Durres  
Km 7  
1051 Tirane  
Phone: (+355) 69 877 7821  
info@kraft.al

## Argentina

ROBERTO C. RUMBO S.R.L.  
Predio Norlog  
Lote 7  
Benavidez, ZC: 1621  
Buenos Aires  
Phone: (+54) 11 5263-7862  
ventas@rumbosrl.com.ar

## Armenia

AES Systems LLC  
Marshal Babajanyan Avenue 56/2  
0022 Yerevan  
Phone: (+374) 60 651 651  
massohanyan@icloud.com

## Australia

Husqvarna Australia Pty. Ltd.  
Locked Bag 5  
Central Coast BC  
NSW 2252  
Phone: (+ 61) (0) 2 4352 7400  
customer.service@husqvarna.com.au

## Austria / Österreich

Husqvarna Austria GmbH  
Industriezeile 36  
4010 Linz  
Tel.: (+43) 732 77 01 01-485  
service.gardena@husqvarnagroup.com

## Azerbaijan

Progres Xususi Firmasi  
Aliyar Aliyev 212, Baku, Azerbaijan  
Sales: +994 70 326 07 14  
After-sales: +994 77 326 07 14  
www.progress-garden-az  
info@progress-garden.az

## Bahrain

M.H. Al-Mahroos  
BUILDING 208, BLOCK 356,  
ROAD 328  
Salhya  
Phone: +973 1740 8090  
almahroos@almahroos.com

## Belarus / Беларусь

ООО «Мастер Гарден»  
220118, г. Минск,  
улица Шаранговича, дом 7а  
Тел.: (+375) 17 257 00 33  
mg@mastergarden.by

## Belgium

Husqvarna Belgium nv  
Gardena Division  
Leuvensesteenweg 542  
Planet II E  
1930 Zaventem  
Belgie

## Bosnia / Herzegovina

Sik Trade d.o.o.  
Poslovna Zona Vila Br. 20  
Phone: (+387) 61 165 593  
info@siktrade.com.ba

## Brazil

Nordtech Maquinas e Motores Ltda.  
Avenida Juscelino Kubitschek  
de Oliveira Curitiba  
3003 Brazil  
Phone: (+55) 41 3595-9600  
contato@nordtech.com.br  
www.nordtech.com.br

## Bulgaria

AGROLAND България АД  
бул. 8 Декември, № 13  
Офис 5  
1700 Студентски град  
София  
Тел.: (+359) 24 66 6910  
info@agroland.eu

## Canada / USA

GARDENA Canada Ltd.  
125 Edgeware Road  
Unit 15 A  
Brampton L6Y 0P5  
ON, Canada  
Phone: (+1) 905 792 93 30  
gardena.customerservice@husqvarnagroup.com

## Chile

REPRESENTACIONES JCE S.A.  
AV. DEL VALLE NORTE 857 PISO 4  
HUECHURABA, SANTIAGO, CHILE  
Phone: (+ 56) 2 2414 2600  
contacto@jce.cl

## China

Husqvarna (Shanghai)  
Management Co., Ltd.  
富世华 (上海) 管理有限公司  
3F, Beng Square B,  
No 207, Song Hong Rd.,  
Chang Ning District,  
Shanghai, PRC: 200335  
上海市长宁区沁虹路207号明  
基广场B座3楼, 邮编: 200335

## Colombia

Equipos de Toyma Colombia SAS  
Cra. 68 D No 25 B 86 Of. 618  
Edificio Torre Central  
Bogota  
Phone: +57 (1) 703 95 20 /  
+57 (1) 703 95 22  
servicioclientes@toyma.com.co  
www.toyma.com.co

## Costa Rica

Exim CIA Costa Rica  
Calle 25A, B°. Monteleagre  
Zapote  
San José  
Costa Rica  
Phone: (+506) 2221-5654 / (+506) 2221-5659  
eximcostarica@gmail.com

## Croatia

Husqvarna Austria GmbH  
Industriezeile 36  
4010 Linz  
Phone: (+43) 732 77 01 01-485  
service.gardena@husqvarnagroup.com

## Cyprus

Partiatis Papadopoulos S.A.  
92 Athinou Avenue  
Athens  
10442 Greece  
Phone: (+30) 21 0519 3100  
infocyp@papadopoulos.com.gr

## Czech Republic

Gardena  
Service Center Vrbovo  
c/o Husqvarna  
Manufacturing CZ s.r.o.  
Jesenická 146  
79326 Vrbovo pod Pradědem  
Phone: 800 100 425  
servis@gardena.cz

## Denmark

GARDENA DANMARK  
Leirvej 19, st.  
3500 Varløse  
Tlf.: (+45) 70 26 47 70  
gardenack@husqvarnagroup.com  
www.gardena.com / dk

## Dominican Republic

BOSQUEJA, S.R.L  
Carretera Santiago Licey  
Km. 5 ½  
Esquina Copal II,  
Santiago De Los Caballeros  
51000 Dominican Republic  
Phone: (+1) 809-562-0476  
contacto@bosquesa.com.do

## Egypt

Universal Agencies Co  
26, Abdel Hamid Lotfy St.  
Giza  
Phone: (+20) 3 761 57 57

## Estonia

Husqvarna Eesti OÜ  
Valdeku 132  
EE-11216 Tallinn  
info@gardena.ee

## Finland

Oy Husqvarna Ab  
Juurakkotie 5 B 2  
01510 Vantaa  
www.gardena.fi

## France

Husqvarna France  
9/11 Allée des pierres mayettes  
92635 Gennevilliers Cedex  
France  
http://www.gardena.com/fr  
N° AZUR: 0 810 00 78 23  
(Prix d'un appel local)

## Georgia

Transporter LLC  
#70, Beliasvili street  
0159 Tbilisi, Georgia  
Number: (+995) 322 14 71 71  
info@transporter.com.ge  
www.transporter.com.ge

## Service Address and Importer to Great Britain

Husqvarna UK Ltd  
Preston Road  
Aycliffe Industrial Park  
Newton Aycliffe  
County Durham  
DL5 6UP  
Phone: (+44) (0) 344 844 4558  
info.gardena@husqvarna.co.uk

## Greece

Π.ΠΑΠΑΔΟΠΟΥΛΟΣ ΑΕΒΕ  
Λεωφ. Αθηνών 92  
Αθήνα  
T.K.104 42  
EM000  
Tηλ. (+30) 210 5193 100  
info@papadopoulos.com.gr

## Hong Kong

Tung Tai Company  
151-153 Hoi Bun Road  
Kwun Tong, Kowloon  
Hong Kong  
Phone: (+852) 3583 1662  
admin@tungtaico.com

## Hungary

Husqvarna Magyarország Kft.  
Ezred u. 1 – 3  
1044 Budapest  
Phone: (+36) 1 251-4161  
vevoszolgalt.husqvarna@husqvarna.hu

## Iceland

BYKO ehf.  
Skemmungegi 2a  
200 Kópavogur  
Phone: (+354) 515 4000  
byko@byko.is  
MHG Verslun ehf  
Vikurheiti 8  
203 Kópavogur  
Phone: (+354) 544 4656

## India

B K RAMAN AND CO  
Plot No. 185, Industrial Area,  
Phase-2, Ram Darbar  
Chandigarh  
160002 India  
Phone: (+91) 98140 06530  
raman@jaganhardware.com

## Iraq

Alshiemal Alakhdar Company  
Al-Faysalieah, Near Estate Bank  
Mosul  
Phone: (+964) 78 18 18 46 75

## Ireland

Liffey Distributors Ltd.  
309 NW Business Park, Ballycoolen  
15 Dublin  
Phone: (+353) 1 824 2600  
info@liffeyd.com

## Israel

HAGARIN LTD.  
2 Nahal Harit St.  
8122201 Yavne  
internet@hagarin.co.il  
Phone: (+972) 8-932-0400

## Italy

Husqvarna Italia S.p.A.  
Centro Direzionale Planum  
Via del Lavoro 2, Scala B  
22036 ERBA (CO)  
Phone: (+39) (0) 31 4147700  
assistenza.italia@it.husqvarna.com

## Japan

Husqvarna Zenohq Co. Ltd. Japan  
1-9 Minamidai, Kawagoe  
350-1165 Saitama  
Japan  
gardena-jp@husqvarnagroup.com

## Kazakhstan

ТОО «Ламат»  
Russian  
Адрес: Казахстан, г. Алматы,  
ул. Тажибаевой, 155/1  
Тел.: (+7) (727) 355 64 00 /  
(+7) (700) 355 64 00 lamed@lamed.kz

## Kazakh

Мекен-жайы: Қазақстан,  
Алматы қ.,  
көш. Тажибаевой, 155/1  
Тел.: (+7) (727) 355 64 00 /  
(+7) (700) 355 64 00  
lamed@lamed.kz

## Kuwait

Palms Agro Production Co  
Al Rai- Fourth Ring Road – Block 56.  
P.O.Box: 1976 Satif  
13020 Al-Rai  
Phone: (+965) 24 73 07 45  
info@palms-kw.com

## Kyrgyzstan

ООоУ Аые МакI  
Av. Molodaya Guardia 83  
720014 Bishkek  
Phone: (+996) 312 322115

## Latvia

Husqvarna Latvija SIA  
Ulbrokas 19A  
LV-1021 Riga  
info@gardena.lv

## Lebanon

Technomec  
Safra Highway (Beirut – Tripoli) Center  
622 Mezher Bldg.  
P.O.Box 215  
Jounieh  
Phone: (+961) 9 853527 /  
(+961) 3 855481  
tecnomec@idm.net.lb

## Lithuania

LIAB Husqvarna Lietuva  
Ateities pl. 77C  
LT-52104 Kaunas  
info@gardena.lt

## Luxembourg

Magasins Jules Neuberg  
39, rue Jacques Stas  
Luxembourg-Gasperich 2549  
Case Postale No. 12  
Luxembourg 2010  
Phone: (+352) 40 14 01  
api@neuberg.lu

## Malaysia

Glomedic International Sdn Bhd  
Jalan Ruang No. 30  
Shah Alam, Selangor  
40150 Malaysia  
Phone: (+60) 3-7734 7997  
osse@glomedic.com.my

## Malta

I.V. Portelli & Sons Ltd.  
85, 86, Triq San Pawl  
Rabat – RBT 1240  
Phone: (+356) 2145 4289

## Mauritius

Espace Maison Ltée  
La City Trianon, St Jean  
Quatre Bornes  
Phone: (+230) 460 85 85  
digital@espacemaison.mu

## Mexico

AFOSA  
Av. Lopez Mateos Sur # 5019  
Col. La Calma 45070  
Zapopan, Jalisco, Mexico  
Phone: (+52) 33 3818-3434  
isolis@afosa.com.mx

## Moldova

Convel SRL  
Republica Moldova,  
mun. Chisinau,  
sos. Muncisti 284  
Phone: (+373) 22 857 126  
www.convel.md

## Mongolia

Soyol Gardening Shop  
Nami Rd  
Ulaanbaatar  
14230 Mongolia  
Phone: +976 7777 5080  
soyol@magincnet.mn

## Morocco

Proekip  
64 Rue de la Participation  
Casablanca-Roches Noires  
20303 Morocco  
Phone: (+212) 661342107  
hicham.hafani@proekip.ma

## Netherlands

Husqvarna Nederland B.V.  
GARDENA Division  
Postbus 50131  
1305 AC ALMERE  
Phone: (+31) 36 521 00 10  
info@gardena.nl

## Neth. Antilles

Jonka Enterprises N.V.  
Sta. Rosa Weg 196  
P.O. Box 8200  
Curaçao  
Phone: (+599) 9 767 66 55  
info@jonka.com

## New Zealand

Husqvarna New Zealand Ltd.  
PO Box 76-437  
Manukau City 2241  
Phone: (+64) (0) 9 9202410  
support.nz@husqvarna.co.nz

## North Macedonia

Sinpeks d.o.o.  
Ul. Kravarski Pat Bb  
7000 Bitola  
Phone: (+389) 47 20 85 00  
sinpeks@mt.net.mk

## Norway

Husqvarna Norge AS  
Gardena Division  
Traskemeien 36  
1708 Sarpsborg  
info@gardena.no

## Northern Cyprus

Mediterranean Home & Garden  
No 150 Alsancak, Karaöğlanoğlu  
Caddesi Gime  
Nicosia  
Phone: (+90) 392 821 33 80  
info@medgardener.com

## Oman

General Development Services  
PO 1475, PC - 111  
Seeb  
111 Oman  
Phone: 96824582816  
gdsoman@gdsoman.com

## Paraguay

Agrofield SRL  
AV. CHOFERES DEL CHACO  
1449 C/25 DE MAYO  
Asuncion  
Phone: (+595) 21 608 656  
consultas@agrofield.com.py

## Peru

Sierras y Herramientas Forestal SAC  
Av. Las Gaviotas 833, Chorrillos  
Lima  
Phone: (+51) 1 2 52 02 52  
supervisorventas1@siersac.com  
www.siersac.com

## Philippines

Royal Dragon Traders Inc  
10 Linaw Street, Barangay  
Saint Peter Quezon City  
1114 Philippines  
Phone: (+63) 2 7426893  
aida.fernandez@rdti.com.ph

## Poland

Gardena Service Center Vrbovo  
c/o Husqvarna Manufacturing CZ  
s.r.o., Jesenícká 146  
79326 Vrbovo pod Pradědem  
Czech Republic  
Phone: (22) 336 78 90  
servis@gardena.pl

## Portugal

Husqvarna Portugal, SA  
Lagoa - Albarraque  
2635 - 595 Rio de Mouro  
Phone: (+351) 21 922 85 30  
Fax: (+351) 21 922 85 36  
info@gardena.pt

## Romania

Madex International Srl  
Soseaua Odaii 117 - 123,  
RO 013603 Bucuresti, S1  
Phone: (+40) 21 352 7603  
madex@ines.ro

## Russia / Россия

ООО „Лукварна“  
141400, Московская обл.,  
г. Химки,  
улица Ленинградская,  
владение 38, стр.6  
Бизнес Центр  
„Химки Бизнес Парк“,  
помещение 0B02\_04  
http://www.gardena.ru

## Saudi Arabia

SACO  
Takhassusi Main Road P.O. Box:  
86387 Riyadh 12863  
40011 Saudi Arabia  
Phone: (966) 11 482 8877  
webmaster@saco-ksa.com

Al Futtaim Pioneer Trading  
5147 Al Farooq Dist.  
Riyadh 7991  
Phone: (+971) 4 206 6700  
Owais.Khan@alfuttaim.com

## Serbia

Domel d.o.o.  
Slobodana Đurića 21  
11000 Belgrade  
Phone: (+381) 11 409 57 12  
office@domel.rs

## Singapore

Hy-RY PRIVATE LIMITED  
40 Jalan Pemimpin  
#02-08 Tat Ann Building  
Singapore 577185  
Phone: (+65) 6253 2277  
info@hyray.com.sg

## Slovak Republic

Gardena  
Service Center Vrbovo  
c/o Husqvarna  
Manufacturing CZ s.r.o.  
Jesenická 146  
79326 Vrbovo pod Pradědem  
Phone: 0800 154044  
servis@gardena.sk

## Slovenia

Husqvarna Austria GmbH  
Industriezeile 36  
4010 Linz  
Phone: (+43) 732 77 01 01-485  
service.gardena@husqvarnagroup.com

## South Africa

Husqvarna South Africa (Pty) Ltd  
Lifestyle Business Park –  
Ground Floor Block A Cnr  
Beyers Naude Drive and Ysterhout  
Road Randpark Ridge, Randburg  
Phone: (+27) 10 015 5750  
service@gardena.co.za

## South Korea

Kyung Jin Trading Co., Ltd  
8F Haengbok Building, 210,  
Gangnam-Daero 137-891 Seoul  
Phone: (+82) 2 574 6300  
kjh@kjh.co.kr

## Spain

Husqvarna España S.A.  
Calle de Rivas nº 10  
28052 Madrid  
Phone: (+34) 91 708 05 00  
atencioncliente@gardena.es

## Sri Lanka

Hunter & Company Ltd.  
130 Front Street  
Colombo  
Phone: 94-11 232 81 71  
hunters@eureka.lk

## Suriname

Delto Handelsmaatschappij N.V.  
Kernkampweg 72-74  
P.O. Box: 12782  
Paramaribo  
Suriname  
Phone: (+597) 43 80 50  
info@deto.sr

## Sweden

Husqvarna AB /  
GARDENA Sverige  
Drottninggatan 2  
561 82 Huskvarna  
Sverige  
Phone: (+46) (0) 36-14 60 02  
service@gardena.se

## Switzerland / Schweiz

Husqvarna Schweiz AG  
Consumer Products  
Industriestrasse 10  
5506 Mägwil  
Phone: (+41) (0) 62 887 37 90  
info@gardena.ch

## Taiwan

Hong Ying Trading Co., Ltd.  
No. 46 Wu-Kun-Wu Road  
New Taipei City  
Phone: (+886) (02) 2298 1486  
salesgd1@7friends.com.tw

## Tajikistan

АВЕРС JVV LLC  
39, Ayni Street, 734024  
Dushanbe, Tajikistan

## Thailand

Spica Co. Ltd.  
243/2 Omnuh Rd., Prawat  
Bangkok  
10250 Thailand  
Phone: (+66) (0)2721 7373  
surapong@spica-siam.com

## Tunisia

Société du matériel agricole et maritime  
Nouveau port de peche de Sfax Bp 33  
Sfax 3065  
Phone: (+216) 98 419047/  
(+216) 74 497614  
commercial@smamtunisia.com

## Turkiye

Dost Bahçe  
Yunus Mah. Adil Sk. No:3  
Kartal  
İstanbul  
34873 Türkiye  
Phone: (+90) 216 389 39 39

## Turkmenistan

I.E. Orazmammedov Nurmuhammet  
80 Ataturk, BERKARAR Shopping Center,  
Ground floor, A77b,  
Ashgabat 744000  
TURKMENISTAN  
Phone: (+993) 12 468859  
Mob: (+993) 62 222887  
info@jajhyzmat.com /  
bekjiyev@jajhyzmat.com  
www.jajhyzmat.com

## UAE

Al-Futtaim ACE Company  
L.L.C Building, Al Rebat Street  
Festival City, Dubai  
7880 UAE  
Phone: (+971) 4 206 6700  
ace@alfuttaim.ae

## Ukraine / Україна

AT «Альцест»  
вул Петропавлівська 4  
08130, Київська обл.  
Києво-Святошинський р-н, с.  
Петропавлівська Борщаківка Україна  
Тел.: (+38) 0 800 503 000

## Uruguay

FELI SA  
Entre Rios 1083  
11800 Montevideo  
Phone: (+598) 22 03 18 44  
info@felisa.com.uy

## Uzbekistan

AGROHOUSE MChJ  
O'zbekiston, 111112  
Toshkent viloyati  
Toshkent tumani  
Hasanboy OFY, THAY yoqasida  
Phone: (+998)-93-5414141 /  
(+9