



# Husqvarna®



## DE 130 H

EN	Operator's manual
DE	Bedienungsanweisung
FR	Manuel d'utilisation
NL	Gebruiksaanwijzing

2-28
29-55
56-83
84-110

---

## Contents

---

Introduction.....	2	Transportation, storage and disposal.....	21
Safety.....	5	Technical data.....	24
Operation.....	8	Declaration of Conformity.....	26
Maintenance.....	15	Registered trademarks.....	28
Troubleshooting.....	19		

---

## Introduction

---

### Product description

The product is a single phase dust extractor. Dust-laden air goes through the suction hose into the inlet valve. The product separates the dust particles from the air. The particles falls into the plastic bag at the bottom of the product.

### Intended use

---



**WARNING:** Do not collect ignition sources, hot particles, liquids, explosive

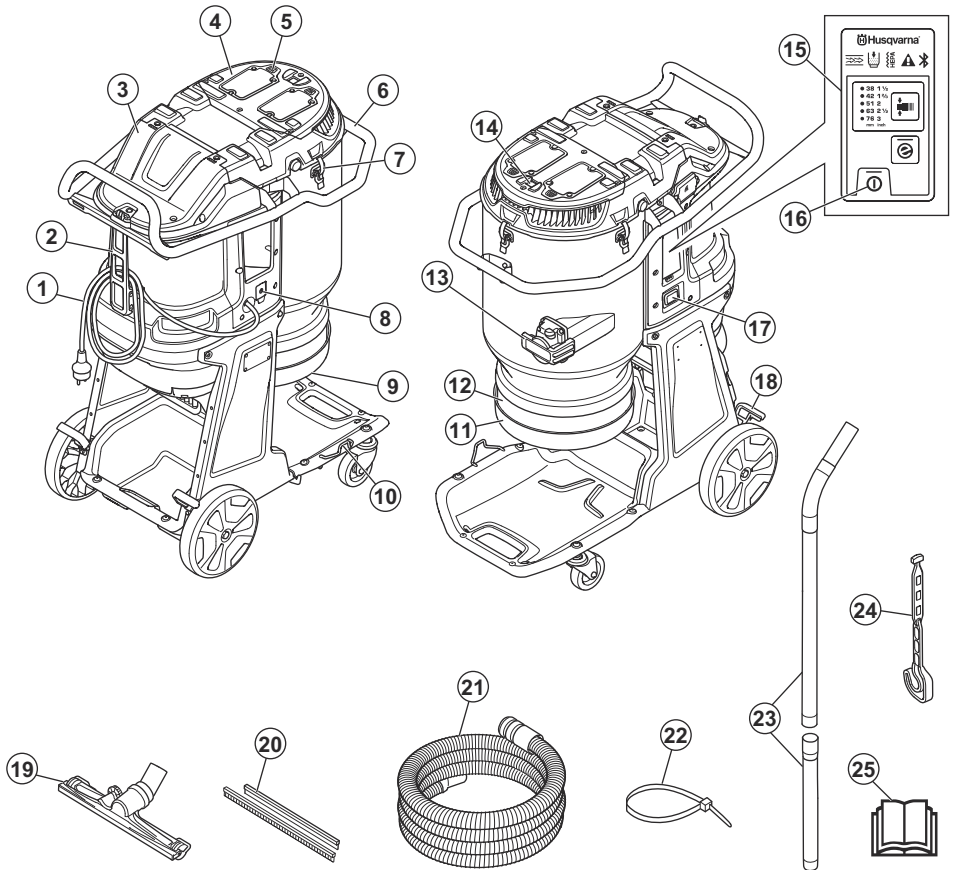
material and unstable or pyrophoric particles.

---

The product is for professional operations only. The product is used to collect and remove dry material from machines and devices. The material can be dangerous and harmful to health, refer to the dust class H in EN 60335-2-69.

Do not use the product for other tasks. Only use the product with accessories that are approved by the manufacturer.

## Product overview



- |  |                          |
|--|--------------------------|
| 1. Cable                                       | 16. ON/OFF button        |
| 2. Fastener for cable and dust extraction hose | 17. Hour meter           |
| 3. HEPA filter cover                           | 18. Wheel brake          |
| 4. Prefilter cover                             | 19. Floor nozzle         |
| 5. Filter purge button                         | 20. Rubber strips        |
| 6. Handle                                      | 21. Dust extraction hose |
| 7. Toggle fastener for the handle pipe         | 22. Cable tie            |
| 8. Main switch                                 | 23. Handle pipe          |
| 9. Dust release rubber cone                    | 24. Handle pipe holder   |
| 10. Floor nozzle holder                        | 25. Operator's manual    |
| 11. Longopac holder                            |                          |
| 12. Longopac                                   |                          |
| 13. Inlet cover                                |                          |
| 14. Auto pulse button                          |                          |
| 15. Control panel                              |                          |

## Symbols on the product



**WARNING:** This product can be dangerous and cause serious injury or death to the operator or others. Be careful and use the product correctly.



Read the manual carefully and make sure that you understand the instructions before you use the product.



Use hearing protection, eye protection and respiratory protection. Refer to *Personal protective equipment on page 7*.



The electrical grounding point on this product is identified by the ground symbol. Refer to *Grounded product instructions on page 8*



This product is in accordance with applicable EC directives.



This product conforms to applicable UK regulations.



This device is H-classified, certified by a third party according to IEC-60335-2-69, EN-60335-2-69 Annex AA.

This device contains harmful dust. Empty and maintenance operations, including the removal of the dust collection containers, may only be carried out by experts who wear appropriate protective equipment. Never operate the dust extractor without the complete filtration system.



The product is not domestic waste. Recycle it at an approved disposal location for electrical and electronic equipment.



If the product features Bluetooth® wireless technology, the Bluetooth® symbol is on the product. Refer to *Bluetooth® wireless technology on page 10*.

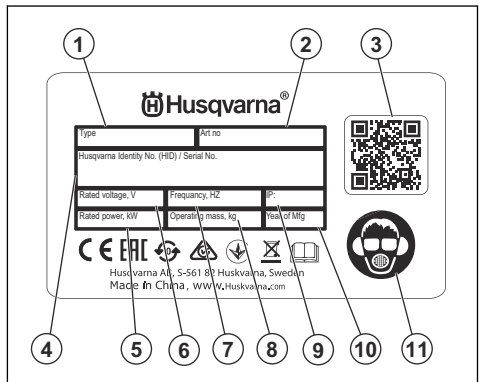
**Note:** Other symbols/decals on the product refer to special certification requirements for some markets.

## Embedded connectivity

The cloud asset management solution Husqvarna Fleet Services™ gives the fleet manager an overview of all products that are connected via either embedded or aftermarket sensors. The position of the gateway or smartphone can be used to indicate the location of connected products. The sensors record data like runtime, service intervals and more. For more information about the cloud asset management solution Husqvarna Fleet Services™, download the iOS or Android app Husqvarna Fleet Services™ at <https://apps.apple.com/se/app/husqvarna-fleet-services/id1334672726> or <https://play.google.com/store/apps/details?id=com.husqvarna.hfsmobile&hl=en>. Speak to your Husqvarna sale representative for more information.

Some types of this product are connected via the embedded Husqvarna Fleet Services™ sensor that has the Bluetooth Low Energy (BLE) function. For more information regarding how to use it, refer to *To use embedded connectivity with fleet on page 11*. For information about the BLE technology radio spectrum, refer to *Embedded connectivity on page 25*.

## Type plate



1. Model
2. Article number
3. Scannable code
4. Serial number
5. Rated power or current (A)
6. Rated voltage
7. Frequency
8. Weight
9. IP class
10. Production year
11. Personal protective equipment

## Product liability

As referred to in the product liability laws, we are not liable for damages that our product causes if:

- the product is incorrectly repaired.
- the product is repaired with parts that are not from the manufacturer or not approved by the manufacturer.

- the product has an accessory that is not from the manufacturer or not approved by the manufacturer.
- the product is not repaired at an approved service center or by an approved authority.

## Safety

### Safety definitions

Warnings, cautions and notes are used to point out specially important parts of the manual.



**WARNING:** Used if there is a risk of injury or death for the operator or bystanders if the instructions in the manual are not obeyed.



**CAUTION:** Used if there is a risk of damage to the product, other materials or the adjacent area if the instructions in the manual are not obeyed.

**Note:** Used to give more information that is necessary in a given situation.

### General safety instructions



**WARNING:** Read the warning instructions that follow before you use the product.

- This product is a dangerous tool if you are not careful or if you use the product incorrectly. This product can cause serious injury or death to the operator or others. Before you use the product, you must read and understand the contents of this operator's manual.
- Do not let a person (including children) with reduced physical, sensory or mental capabilities use the product, unless they have been given supervision or instruction concerning use of the product by a person responsible for their safety.
- Make sure that you have experience and knowledge about the product before use.
- Make sure that all controls are off before you disconnect the power cord.
- Comply with all applicable laws and regulations.
- The operator and the employer of the operator must know and prevent the risks during operation of the product.
- Do not let a person operate the product unless they read and understand the contents of the operator's manual.
- Do not operate the product unless you receive training before use. Make sure that all operators receive training.
- Do not let a child operate the product.

- Only let approved persons operate the product.
- The operator is responsible for accidents that occur to other persons or their property.
- Do not use the product if you are tired, ill, or under the influence of alcohol, drugs or medicine.
- Always be careful and use your common sense.
- This product produces an electromagnetic field during operation. This field can under some circumstances interfere with active or passive medical implants. To decrease the risk of serious injury or death, we recommend persons with medical implants to speak to their physician and the medical implant manufacturer before operating this product.
- Keep the product clean. Make sure that you can clearly read signs and decals.
- Do not use the product if it is defective.
- Do not do modifications to this product.
- Do not operate the product if it is possible that other persons have done modifications to the product.
- Do not operate the product without necessary filters.
- Save all warnings and instructions.

### Work area safety

- **Keep work area clean and well lit.** Cluttered or dark areas invite accidents.
- **Do not operate the product in explosive atmospheres, such as in the presence of flammable liquids, gases or dust.** The product create sparks which may ignite the dust or fumes.
- **Keep children and bystanders away while operating the product.** Distractions can cause you to lose control.

### Electrical safety



**WARNING:** Do not expose the appliance to rain or wet conditions. Water entering a an electric appliance will increase the risk of electric shock.

- **The plug on the supply cord of the appliance must match the outlet. Do not change the plug in any way. Do not use adapter plugs with earthed (grounded) appliances.** Unmodified plugs and matching outlets reduce risk of electric shock.
- **Insert the plug in a suitable earthed/grounded power outlet which has been correctly and safely installed and is in compliance with local regulations. If you are in doubt about the effectiveness of the power outlet's earth/ground connection, have it checked by a qualified specialist.**

- **Avoid body contact with earthed or grounded surfaces, such as pipes, radiators, cookers, stoves and refrigerators.** There is an increased risk of electric shock if your body is earthed or grounded.
- **Check to ensure that the supply cord does not lie in a puddle of water.**
- **Check the appliance's supply cord at regular intervals and have it replaced by the manufacturer or his agent if damage is found. Check extension cords at regular intervals and replace them if found to be damaged.**
- **Do not touch the supply cord or extension cord if they are damaged while working. Disconnect the supply cord plug from the power outlet.** Damaged supply cords or extension cords present a risk of electric shock.
- **Do not abuse the cord. Never use the cord for carrying, pulling or unplugging the appliance. Keep the cord away from heat, oil, sharp edges or moving parts.** Damaged or entangled cords increase the risk of electric shock.
- **When operating an electric appliance outdoors, use only extension cords of a type suitable for outdoor use.** Use of an extension cord suitable for outdoor use reduces the risk of electric shock.
- **In the event of an interruption in the electric supply, switch the appliance off and unplug it from the power outlet.**
- **Never operate the appliance when it is dirty or wet.** Dust (especially dust from conductive materials) or dampness adhering to the surface of the appliance may, under unfavorable conditions, lead to electric shock. **Dirty or dusty appliances should thus be checked by an approved service agent at regular intervals, especially if used frequently for working on conductive materials.**
- **If operating an appliance in a damp location is unavoidable, use a residual current device (RCD) protected supply.** Use of a RCD reduces the risk of electric shock.
- Do periodic electrical safety tests on the product. Refer to local regulations for the correct procedure.
- **Remove any adjusting key or wrench before turning the product on.** A wrench or a key left attached to a rotating part of the product may result in personal injury.
- **Do not overreach. Keep proper footing and balance at all times.** This enables better control of the product in unexpected situations.
- **Dress properly. Do not wear loose clothing or jewellery. Keep your hair and clothing away from moving parts.** Loose clothes, jewellery or long hair can be caught in moving parts.
- **If devices are provided for the connection of dust extraction and collection facilities, ensure these are connected and properly used.** Use of dust collection can reduce dust-related hazards.
- **Do not let familiarity gained from frequent use of tools allow you to become complacent and ignore tool safety principles.** A careless action can cause severe injury within a fraction of a second.

## Product use and care

- **Do not force the product. Use the correct product for your application.** The correct product will do the job better and safer at the rate for which it was designed.
- **Do not use the product if the switch does not turn it on and off.** Any product that cannot be controlled with the switch is dangerous and must be repaired.
- **Disconnect the plug from the power source, if detachable, from the product before making any adjustments, changing accessories, or storing the product.** Such preventive safety measures reduce the risk of starting the product accidentally.
- **Store idle the product out of the reach of children and do not allow persons unfamiliar with the product or these instructions to operate the product.** The product is dangerous in the hands of untrained users.
- **Maintain the product and accessories. Check for misalignment or binding of moving parts, breakage of parts and any other condition that may affect the product's operation. If damaged, have the product repaired before use.** Many accidents are caused by poorly maintained product.
- **Keep cutting tools sharp and clean.** Properly maintained cutting tools with sharp cutting edges are less likely to bind and are easier to control.
- **Use the product, accessories and tool bits etc. in accordance with these instructions, taking into account the working conditions and the work to be performed.** Use of the product for operations different from those intended could result in a hazardous situation.
- **Keep handles and grasping surfaces dry, clean and free from oil and grease.** Slippery handles and grasping surfaces do not allow for safe handling and control of the tool in unexpected situations.

## Personal safety

- **Stay alert, watch what you are doing and use common sense when operating the product. Do not use the product while you are tired or under the influence of drugs, alcohol or medication.** A moment of inattention while operating the product may result in serious personal injury.
- **Use personal protective equipment. Always wear eye protection.** Protective equipment such as dust mask, non-skid safety shoes, hard hat or hearing protection used for appropriate conditions will reduce personal injuries.
- **Prevent unintentional starting. Ensure the switch is in the off-position before connecting to power source, picking up or carrying the tool.** Carrying the product with your finger on the switch or energising product that have the switch on invites accidents.

## Service

- Only let an approved service center do servicing and only with approved spare parts. This will keep the product safe.
- Refer to *Maintenance schedule on page 15* for more information.

## Safety instructions for assembly

---



**WARNING:** Read the warning instructions that follow before you assemble the product.

---

- Unauthorized modifications and/or accessories may lead to serious injury or death to the user or others.
- Use only attachments as described in this manual. Use only manufacturers recommended attachments.
- Make sure that the assembly area is firm, so the product does not tip over. Risk of personal and material injury.
- Be careful, the toggle fasteners can cause damage to the operator when assembling the product.

## Safety instructions for operation

---



**WARNING:** Read the warning instructions that follow before you use the product.

---

- Do not operate the product if the power cord or the plug is damaged.
- If the product does not operate correctly, hits the ground, is damaged, left outdoors or falls into water, stop the product. Let an approved service agent repair the product.
- Make sure that the motor and all controls are off before you disconnect the power cord.
- Disconnect the power cord from the outlet, when the product is not used, before you do servicing or before you go away from the product.
- Do not pull the power cord to disconnect the power cord from the outlet. Always pull the plug to disconnect from the outlet.
- Do not operate the product at temperatures below -10°C.
- Do not operate the product where there is a risk of explosion or in areas where there is flammable liquids or materials.
- Do not put objects into openings.
- Do not operate if an opening is blocked. Remove dust, lint, hair or other material that can decrease the air flow.
- Do not operate the product or pull the power plug with wet hands.
- Keep hair, loose clothing and all body parts away from openings and moving parts.
- Operate the product very carefully on stairs to prevent damage and injury if the product falls.

- Make sure that you always can stop the motor quickly in an emergency.
- Always lock the transport wheels if you do work on a rough surface.
- Do not operate the product without a Longopac bag and the filters installed. Replace the Longopac bag and the filters as given in this manual.
- If the product has unusual vibration or noise level, stop the product immediately and disconnect the power supply. Examine the product for damages. Unusual vibration is usually a warning of damage. Repair the damages or let an approved service agent do the repair.
- Always use approved accessories. Speak to your Husqvarna representative for more information.

## Personal protective equipment

---



**WARNING:** Read the warning instructions that follow before you use the product.

---

- Always use approved personal protective equipment when you operate the product. Personal protective equipment cannot fully prevent injury but it decreases the degree of injury if an accident does occur. Let your dealer help you select the correct personal protective equipment.
- Regularly do a check of the condition of the personal protective equipment.
- Use an approved protective helmet.
- Use approved hearing protection.
- Use approved respiratory protection with class P2 or higher.
- Use approved eye protection.
- Use protective gloves.
- Use protective shoes.

## Safety instructions for maintenance

---



**WARNING:** Read the warning instructions that follow before you use the product.

---

- If the maintenance is not done correctly and regularly, the risk of injury and damage to the product increases.
- Use personal protective equipment. Refer to *Personal protective equipment on page 7*.
- Disconnect the product from the power source before you do the maintenance.
- Do not change the product. Modifications that are not approved by the manufacturer can cause serious injury or death.
- Always use original accessories and spare parts. Accessories and spare parts that are not approved by the manufacturer, can cause serious injury or death.

- Replace damaged, worn or broken parts.
- Only do the maintenance as given in this operator's manual. Let an approved service agent do all other servicing.
- If the replacement of the supply cord is necessary, this has to be done by the manufacturer or his agent in order to avoid a safety hazard.
- Let an approved service agent do servicing on the product regularly.

accessories may lead to serious injury or death to the user or others.



**WARNING:** The use of products such as cutters, grinders, drills, that sand or form material can generate dust and vapours which may contain hazardous chemicals. Check the nature of the material you intend to process and use an appropriate breathing mask.

## Safety devices on the product



**WARNING:** Read the warning instructions that follow before you use the product.

- Never use a product that has faulty safety equipment! If your product fails any checks contact your service agent to get it repaired.
- Do not use the product if protective plates, protective covers, safety switches or other protective devices are not attached or are defective.

It is not possible to cover every conceivable situation you can face when using the product. Always exercise care and use your common sense. Avoid all situations which you consider to be beyond your capability. If you still feel uncertain about operating procedures after reading these instructions, you should consult an expert before continuing.

Do not hesitate to contact your Husqvarna representative if you have any more questions about the use of the product. We will willingly be of service and provide you with advice as well as help you to use your product both efficiently and safely.

Let your Husqvarna dealer check the product regularly and make essential adjustments and repairs.

Husqvarna AB has a policy of continuous product development. Husqvarna reserves the right to modify the design and appearance of products without prior notice and without further obligation introduce design modifications.

All information and all data in the operator's manual were applicable at the time the operator's manual was sent to print.

## Always use common sense



**WARNING:** Under no circumstances should you modify the original design of the product without approval from the manufacturer. Always use original spare parts. Unauthorized modifications and/or

## Operation

### Grounded product instructions



**WARNING:** Incorrect connection can result in electrical shock. Speak to an approved electrician if you are not sure if your mains outlet is correctly grounded.

Do not do modifications to the power plug from its factory specification. If the power plug or power cord is damaged or must be replaced, speak to your Husqvarna service agent. Obey local regulations and laws.

If you do not fully understand the instructions about the grounded product, speak to an approved electrician.

outlet. This decreases the risk of electrical shock if there is a malfunction.

Use a rated single phase supply circuit with this product.

Do not use electrical adapters with the product.

### To do before you operate the product



**WARNING:** To prevent the risk of injury, make sure that you attach the product plug fully to the extension cable. Do regular checks of the connection while you operate the product to make sure that it is fully attached. Do not use an extension cable that makes a loose connection.

**Note:** The operation conditions are 800 m/2625 ft maximum altitude, temperature between -10°C/14°F to +40°C/104°F and humidity 85%.

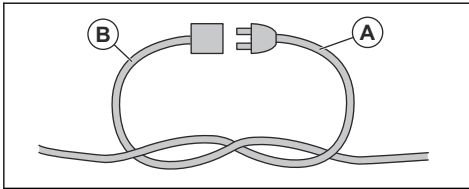
Use only grounded outdoor extension cables with grounding plugs and grounding outlet that accepts the product power plug.

The product has a grounded power cord and power plug. Always connect the product to a grounded mains



**Note:** Read the operator's manual of the attached equipment carefully. If specified requirements or settings are given for the dust extractor, make sure that you obey these.

1. Read the operator's manual carefully and make sure that you understand the instructions.
2. Do the daily maintenance. Refer to *Maintenance schedule on page 15*.
3. Make sure that the work area is clean and bright.
4. Use personal protective equipment. Refer to *Personal protective equipment on page 7*.
5. Make sure that the product is installed correctly.
6. Make sure that the frequency and voltage shown on the type plate agrees with the power supply voltage. This is also applicable for the extension cables.
7. Attach the product cord (A) with the extension cable (B) during operation to make sure that they stay connected.

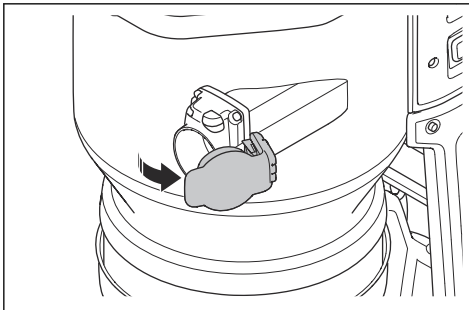


### To attach the dust extraction hose

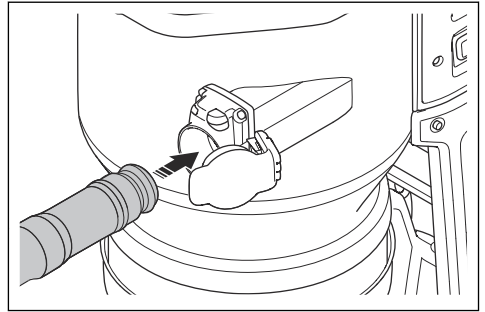


**WARNING:** Use an antistatic hose to prevent antistatic effects.

1. Open the hose connector.



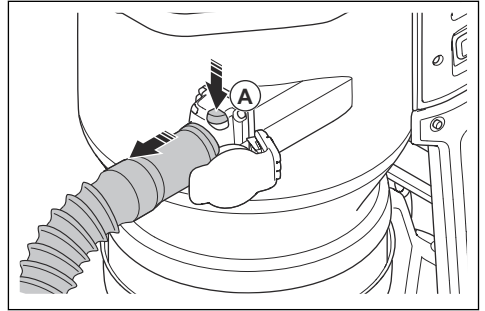
2. Put the hose adapter in the hose connector.



3. Push the hose adapter until you hear a click to get it in correct position.

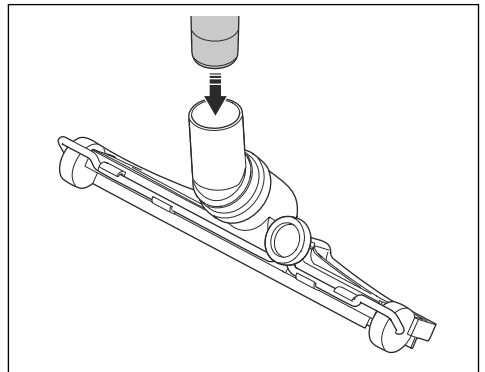
### To remove the dust extraction hose

- Push the hose lock button (A) and pull the dust extraction hose.

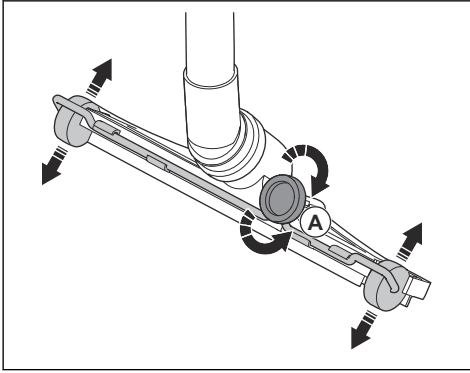


### To attach and adjust the floor nozzle

1. Put the end of the handle fully into the shaft of the floor nozzle.



- Turn the knob (A) at the rear of the floor nozzle to adjust the floor nozzle wheels. Different surfaces and different types of dust and materials make it necessary to adjust the wheels to get the best performance.



### Bluetooth® wireless technology

Products with built-in Bluetooth® wireless technology can connect to mobile devices and enables additional functions from Husqvarna Connect.

The symbol for *Bluetooth*® wireless technology comes on when your mobile device is connected to the product.



### To lock and unlock the transport wheels

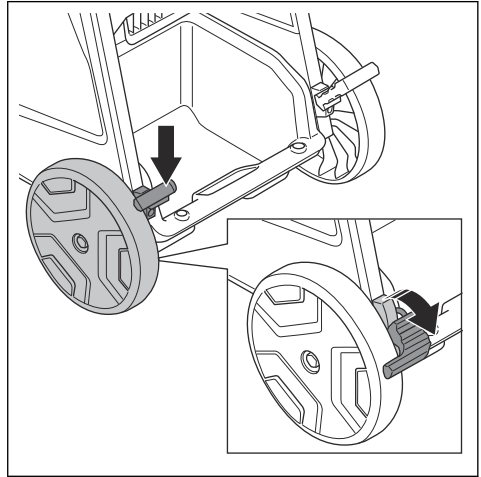
For operation on a surface with a slope it is necessary to lock the transport wheels.



**WARNING:** Wheels and bearings must be clean and without dust for safe operations. Refer to *Maintenance schedule* on page 15.

- Hold the product in a stationary and safe position.

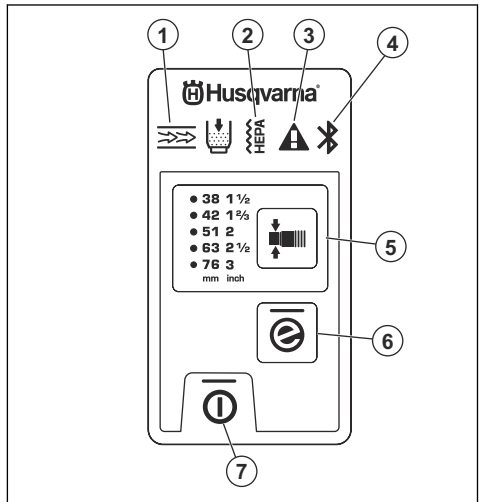
- Push down the wheel brake on each side to lock the wheels.



- Pull up the wheel brakes to unlock the wheels.

### Functions of the control panel

The control panel controls and monitors important functions and setups of the product. Refer to *Warnings on the control panel* on page 20 to find solutions for the warnings.



- The prefilter is clogged. Refer to *To do a filter purge procedure* on page 12.
- The HEPA filter is clogged, damaged or missing. Refer to *To replace the HEPA filter* on page 17.
- Warning. Refer to *Warnings on the control panel* on page 20.

- Bluetooth® connection. Refer to *To use embedded connectivity with fleet on page 11*.
- Diameter change function for hose, refer to *To select the hose nozzle diameter on page 11*
- e-Flow button, refer to *e-Flow function on page 11*
- ON/OFF button

## To use embedded connectivity with fleet

**Note:** This part is applicable only for products supplied with embedded connectivity.

**Note:** Radio transmission by the Bluetooth® function will be enabled on the first time of connection to a power outlet, and stay on after that.

- Download the Husqvarna Fleet Services iOS or Android app Husqvarna Fleet Services™.
- Go to Husqvarna Fleet Services website <https://fleetservices.husqvarna.com> for more information.

## e-Flow function




The product has an e-Flow function. This function automatically adjusts the airflow to the workload for optimal performance. The product always starts with the last settings used.

Refer to *Functions of the control panel on page 10* to engage or disengage the function.

## Airflow warning system

The airflow in the suction hose must be more than 20 m/s (66 ft/s).

For the minimum airflow with the selected hose diameter refer to the table.

Airflow alarm levels					
					
mm	inch	m <sup>3</sup> /h	CFM		
21	<sup>5</sup> / <sub>6</sub>	25	15		
27	1	41	24		
32	1¼	58	34		
38	1½	82	48		
42	1¾	100	59		
51	2	147	87		
63	2½	224	132		
76	3	327	192		

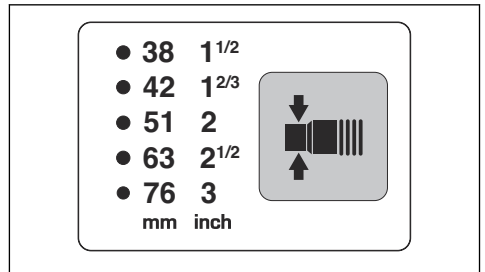
**Note:** If the airflow is less than 20 m/s (66 ft/s), the sound alarm and the warning symbol comes on. Refer to *Warnings on the control panel on page 20*.

## To select the hose nozzle diameter

**Note:** If you do not select the correct hose diameter, the airflow warning system will come on.

When you start the product, the last selected hose diameter is automatically selected.

- Push the button to select the correct hose diameter. The green LED tells which diameter you have selected.

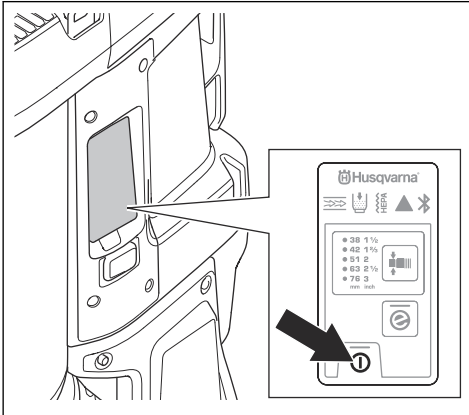


## To start and stop the product

**Note:** Wait for 5 seconds after you start the product to operate with full suction. The suction is not at full capacity directly at start.

- Make sure that the frequency and voltage shown on the rating plate agree with the power supply.
- Connect the product to an applicable power socket.
- Push the "I" on the main switch to activate the product. Refer to *Product overview on page 3*.

4. Push the On/Off button to start and stop the operation.



5. To stop the operation, push the On/Off button. The button goes off when you stop the operation.
6. Push the "0" on the main switch to deactivate the product.
7. Disconnect the product from the power socket.

## Hour meter

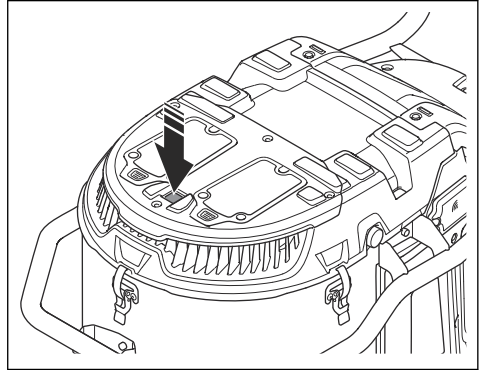
The hour meter shows how many hours the engine has been in operation. Refer to *Product overview on page 3* for the position of the hour meter.

## Auto pulse function

The auto pulse function cleans the filters. The auto pulse function is on when you start the product and during operation. The auto pulse function is also on for 1 cycle after you stop the product. It is recommended to operate the product with the auto pulse function on. For some operations, it is necessary to stop the auto pulse function. Refer to *To stop and start the auto pulse function on page 12*.

## To stop and start the auto pulse function

1. Push the auto pulse button.



2. Make sure that the green LED indicator goes out.

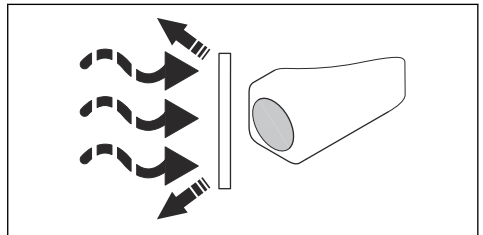
Push the auto pulse button again to start the auto pulse function. Make sure that the green LED indicator comes on.

## To do a filter purge procedure

It is necessary to do a filter purge procedure in these situations:

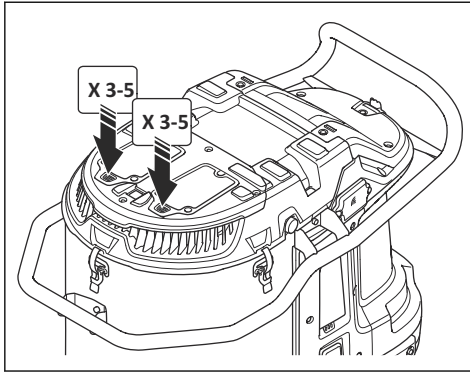
- Before a work stop or at the end of each work day.
- When the suction is not sufficient.
- Before you install a new Longopac bag.
- When the prefilter clogged alarm starts. Refer to the instructions on the decal on the prefilter cover.

1. Stop the product and make a short work stop to let the dust particles set in the Longopac bag.
2. Start the product. Refer to *To start and stop the product on page 11*.
3. Close the air intake with the air intake plug or the intake valve to make vacuum.



4. Wait 5 seconds until there is vacuum.

5. Push the 2 filter purge buttons at the same time.



6. Do step 5-6 5 times.



**CAUTION:** It is important to let the product make vacuum between each button push.

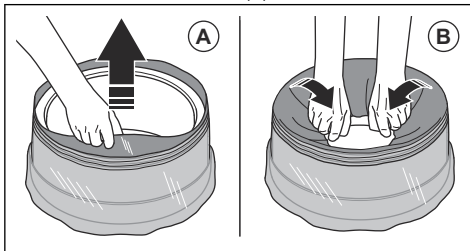
If the suction is not sufficient after this procedure, it is necessary to clean the prefilter with water. Refer to *To clean the prefilter with water on page 16.*

### To install a new Longopac bag cassette

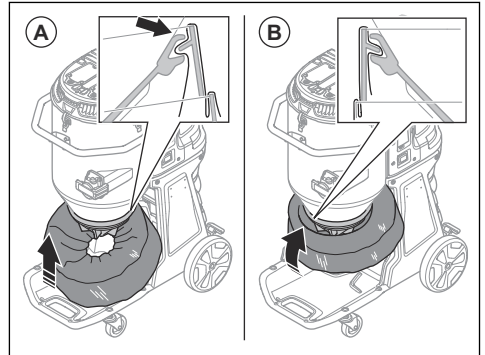


**CAUTION:** Clean the prefilter before you install a new Longopac cassette. Refer to *To do a filter purge procedure on page 12.*

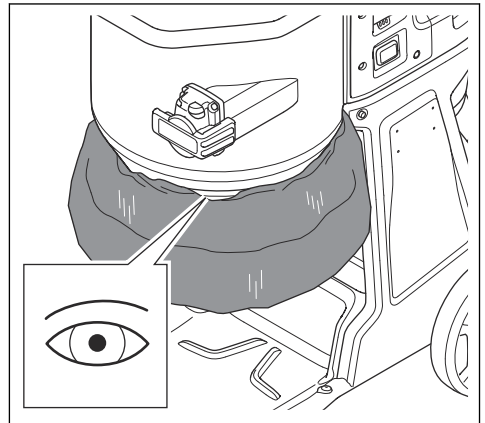
1. Put the Longopac cassette around the inner edge of the Longopac holder.
2. Remove the 4 straps after you put the Longopac in the holder.
3. Pull the inner layer of the Longopac cassette up (A) and fold it into the holder (B).



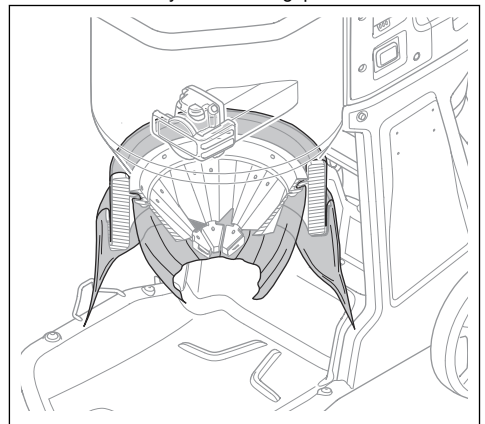
4. Attach the Longopac holder to the rear part of the container (A). Then attach the Longopac holder to the sides and to the front of the container (B). Push the Longopac holder up until you hear a solid click.



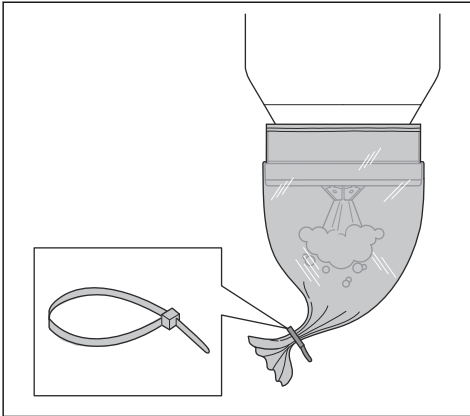
5. Make sure that the Longopac is sealed.



6. Pull the outer layer of the Longopac cassette down.



7. Close the bottom of the Longopac with a cable tie.

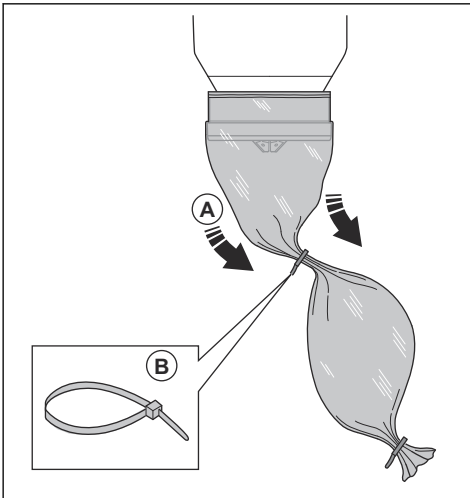


### To discard a full Longopac bag and prepare a new Longopac bag

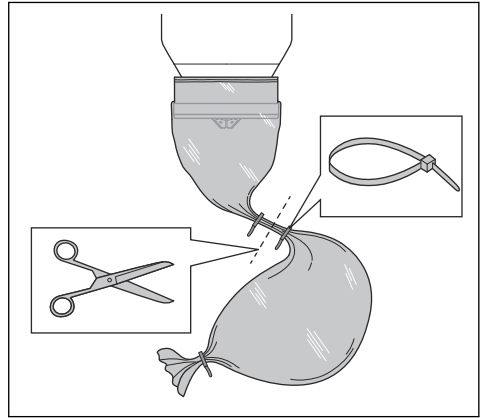


**WARNING:** Lift the Longopac bag with caution, a full Longopac bag can be heavy. Make sure that the cable ties are closed correctly before you lift the Longopac bag.

1. Pull out the Longopac bag (A) and attach a cable tie (B) to close the new Longopac bag.



2. Shake down the dust in the used Longopac bag.
3. Attach a cable tie 10 cm/3.9 in. below the first cable tie to close the used Longopac bag. Cut off the Longopac bag between the cable ties.



4. If the remaining part of the Longopac bag cassette is too small to prepare a new Longopac bag, install a new Longopac bag cassette. Refer to *To install a new Longopac bag cassette on page 13*.
5. Obey local regulations for disposal of the full Longopac bag.

### To do after completed work

1. If you stopped auto pulse function during the work day, manually clean the filters. Refer to *To do a filter purge procedure on page 12*.
2. Stop the product, refer to *To start and stop the product on page 11*.
3. Discard the Longopac bag. Refer to *To discard a full Longopac bag and prepare a new Longopac bag on page 14*.
4. Clean the product. Refer to *To clean the product on page 16*.
5. Prepare the product for transportation. Refer to *To move the product on page 21*.

# Maintenance

## Introduction



**WARNING:** Product related accidents occur during the troubleshooting, servicing and maintenance as the operator must be in the risk area of the product. The operator must be careful, make a plan and prepare the work to prevent accidents.



**WARNING:** Before you do maintenance, make sure that the motor switch and the pump switch are in the Off positions. Disconnect the power cord and remove the pump cable.



**WARNING:** Only let an approved electrician do all checks of the electric components.



**WARNING:** Make sure that you do not make a hole in the filter. Risk of dust dispersion.



**WARNING:** Make sure that you obey all local regulations to dispose the dangerous dust correctly, before and during maintenance.



**WARNING:** The manufacturer, or an instructed person, must do a technical inspection at least annually. The technical inspection includes an inspection of the filters for damage, air tightness of the product and correct function of the control mechanism. In addition the filtration efficiency of the product must be tested at least annually, or more frequently as may be specified by national requirements. If the test is not conducted the HEPA filter must be replaced by a new one.

## Maintenance schedule

The maintenance intervals are calculated from daily use of the product. The intervals change if the product is not used daily.

Maintenance	Before each use	Daily	Weekly	When suction is low	Each 6 months or 600 h	Each 12 months or 2000 h
Do the filter purge procedure. Refer to <i>To do a filter purge procedure on page 12.</i>	X					
Look for signs of wear or damage of the dust release rubber cone.	X					
Do a check of the power plug and the power cord.	X					
Look for signs of wear, damage or loose connections of the controls before the unit is connected.	X					
Do a check of the hose and the hose connectors.	X					
Look for signs of wear or damage of the plastic parts.	X					
Do a check of the lifting eyes.	X					
Make sure that the Longopac is correct and that it is correctly attached. Refer to <i>To install a new Longopac bag cassette on page 13.</i>		X				
Do a check of the filter purge function.		X				

Maintenance	Before each use	Daily	Weekly	When suction is low	Each 6 months or 600 h	Each 12 months or 2000 h
Do a check of the wheels. Look for damage and bad connections.			X			
Do a check of the filter seals.			X			
Do the filter purge procedure. If the suction continues to be not sufficient, clean the prefilter with water. Refer to <i>To clean the prefilter with water on page 16</i> .				X		
Replace the cleaned prefilter if the suction continues to be not sufficient. Refer to <i>To replace the prefilter on page 17</i> .				X		X
Replace the HEPA filter.				X	X	
Replace the dust release rubber cone.						X
Replace the filter cleaning rubber parts.						X

## To do a check of the functions of the control panel

1. Start the product. Refer to *To start and stop the product on page 11*.
2. Push and hold the On/Off button. Refer to *Functions of the control panel on page 10*
3. Make sure that the product stops and that the green LED goes off.

## To clean the product

Operation can cause contamination on all parts of the product and all used equipment. Thus it is necessary to clean all parts of the product and all used equipment fully and carefully.



**WARNING:** Disconnect the product from the power supply.



**WARNING:** Clean the product before it is moved from the work area. Remaining dust on the product can go into the air and cause a health risk.

- Use personal protective equipment. Refer to *Personal protective equipment on page 7*.
- Do not clean the product with a high-pressure washer or compressed air.
- Clean the external surface with a moist cloth.
- Do not use water on electrical components.
- Clean the filters as given in *To clean the prefilter with water on page 16* and *To replace the HEPA filter on page 17*.

- After servicing, put discarded parts in plastic bags. Refer to local regulations for the correct procedure.
- If you use water to clean the product, remove the prefilter and the Longopac before you clean. Also make sure that no water goes into the HEPA filter.

## To clean the prefilter with water



**CAUTION:** Do not use a high-pressure washer or compressed air to clean the prefilter. Do not hit the prefilter with force to clean it.

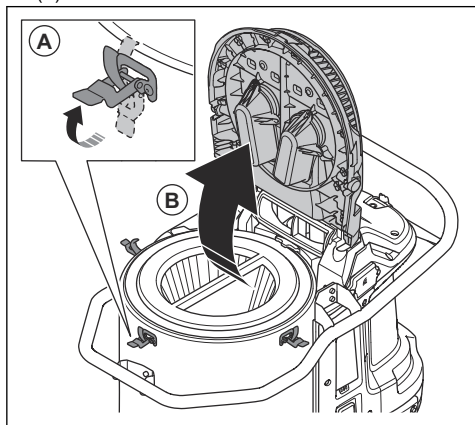


**CAUTION:** Do not let it dry in full sunlight. The seals will dry out.

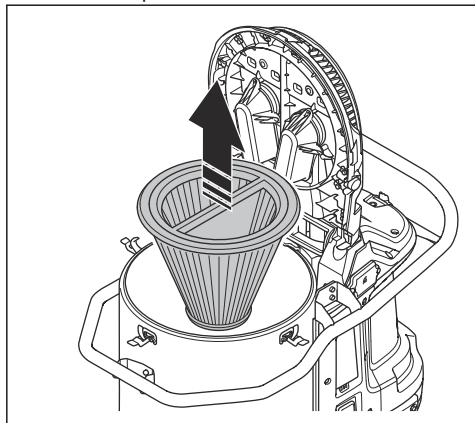
**Note:** To clean the with water will gradually decrease the efficiency of the filter.



1. Loosen the clamps (A) and open the prefilter cover (B).



2. Remove the prefilter.



3. Clean the prefilter with running water from the inner surface of the prefilter.



**CAUTION:** The water pressure must not be higher than 4 bars.



**CAUTION:** Do not hit or drag items across the filter surface. This will do damage to the filter.

4. Let the prefilter dry fully.



**CAUTION:** The prefilter must be 100% dry before you install it into the housing.

5. Install the prefilter, close the prefilter cover and tighten the clamps.

If the prefilter cannot be fully cleaned or if it is damaged, it must be replaced. Refer to *To replace the prefilter on page 17*.

## Filter replacement



**WARNING:** Use personal protective equipment. Refer to *Personal protective equipment on page 7*. Dangerous dust can release into the air during filter replacement.



**WARNING:** Stop the product and disconnect the power supply before filter replacement.

## To replace the prefilter

1. Remove the prefilter. Refer to *To clean the prefilter with water on page 16*.
2. Put the prefilter carefully in a plastic bag.
3. Discard the plastic bag correctly. Refer to local regulations.
4. Install the new prefilter.

If the suction is not sufficient when a new prefilter is installed, it is necessary to replace the HEPA filter. Refer to *To replace the HEPA filter on page 17*.

## To replace the HEPA filter

The HEPA filter cannot be cleaned. It is always necessary to replace it with a new HEPA filter. Only use Husqvarna HEPA filters.



**WARNING:** Only an approved service center or an approved authority is permitted to replace the HEPA filter.



**WARNING:** Always use personal protective equipment, refer to *Personal protective equipment on page 7*.



**WARNING:** The particles in the HEPA filter are dangerous to your health.



**WARNING:** Make sure that there are no holes in the HEPA filter. A damaged HEPA filter is a health risk.

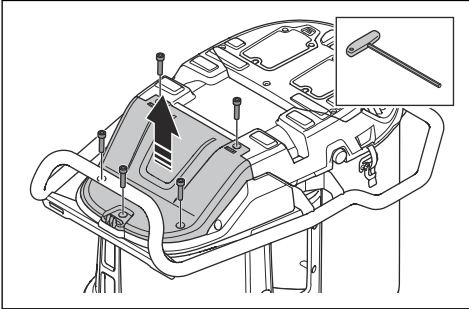


**WARNING:** Do not install a used HEPA filter. If you install a used HEPA filter, leakage and decreased filtration efficiency can occur.

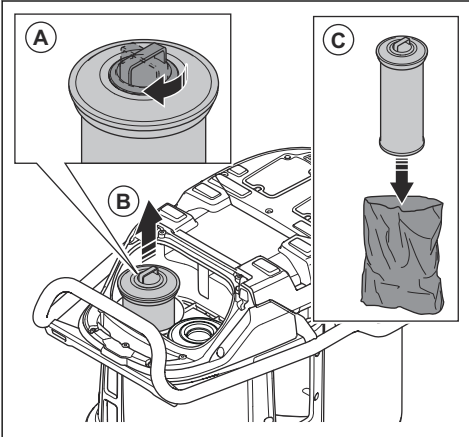


**CAUTION:** Do not touch the inner surface of the HEPA filter. This can cause damage to the HEPA filter.

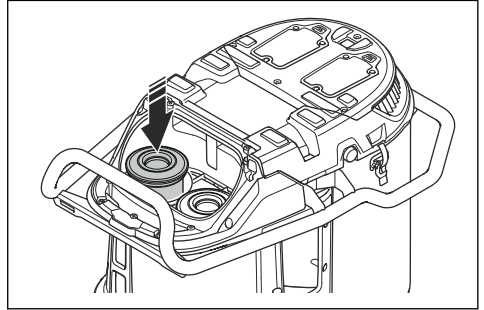
1. Remove the 6 screws and the HEPA filter cover.



2. Attach the dust cap (A) and pull out the HEPA filter. Put it into a clean plastic bag (C).



3. Discard the plastic bag correctly. Refer to local regulations.
4. Install a new HEPA filter. Make sure that the HEPA filter is pushed to the end position.



5. Repeat step 2–4 on the other HEPA filter.
6. Install the HEPA filter cover and the 6 screws.

# Troubleshooting

## Troubleshooting schedule

Problem	Cause	Solution
The motor stops immediately after start or does not start.	There is no power.	Connect the product to a power supply.
	The power cord is defective.	Let an approved service agent repair the product.
	There is a short circuit in the product.	Let an approved service agent repair the product.
	The HEPA filter is damaged or not installed (/).	Replace or install the HEPA filter.
	Too high voltage in power supply.	Make sure that correct power supply is used.
	Too high ambient temperature.	Make sure that the ambient temperature is in specified range when you use the product.
	Fan is broken or disconnected.	Let an approved service agent repair the product.
The motor is on but there is no suction.	The dust extraction hose is not connected correctly.	Connect the dust extraction hose.
	The dust extraction hose is blocked.	Clean the dust extraction hose.
	There is no Longopac bag.	Install a Longopac cassette.
	The Longopac is not closed down with a cable tie.	Attach a cable tie.
The suction is not sufficient.	Too low voltage in power supply.	Make sure that correct power supply is used.
	There is a hole in the dust extraction hose.	Replace the dust extraction hose.
	The prefilter is clogged.	Remove dust particles from the prefilter. Clean or replace it if it is necessary.
	The HEPA filter is clogged.	Replace the HEPA filter. Refer to <i>To replace the HEPA filter on page 17.</i>
	The top cover is loose.	Close the top cover fully.
	The seals are broken.	Replace the seals.
Dust releases into the air from the motor.	The filters are incorrectly installed or damaged.	Install the filters correctly. Replace damaged filters.
Unusual noise comes from the product.	N/A	Let an approved service agent repair the product.

## Error codes






Error code	Error	Description	Probable cause(s)	Action(s)
2	HEPA filter missing.	Product shuts down/does not start. + Warning light on HMI. + HEPA symbol on HMI.	HEPA filter is missing or damaged.	Assemble or replace the HEPA filter.
3	Low supply voltage.	Low performance (low air flow/vacuum).	Too low voltage in grid/power supply.	Make sure correct grid/power supply is used.
4	High supply voltage.	Product shuts down/does not start. + Warning diode light on HMI.	Too high voltage in grid/power supply.	Make sure correct grid/power supply is used.
			Wrong battery used.	Use correct battery.
5	Main Pressure Sensor Error.	Prefilter light flashes red.	Vacuum hose is disconnected or blocked.	Speak to an approved service agent.
			Control unit is damaged.	
6	PCBA temperature too high.	Product shuts down/ does not start. + Warning diode light on HMI.	Too high ambient temperature.	Do not use the product outside specified temperature range.
7	Fan malfunction.	Product shuts down/ does not start. + Warning diode light on HMI.	Fan is damaged or disconnected.	Speak to an approved service agent.
			Control unit is damaged.	
9	One wire communication not detected.	Product shuts down/ does not start. + Warning diode light on HMI.	Cable disconnected or damaged.	Speak to an approved service agent.

## Warnings on the control panel



**CAUTION:** Do not operate the product if the red light comes on. If the initial solution does not remove the error, speak with an

approved service agent before you operate the product again.

Symbol	Signal	Cause	Solution
	A buzzer sounds and the red light comes on.	The prefilter is clogged.	Do a filter purge procedure. Refer to <i>To do a filter purge procedure on page 12.</i>
		The incorrect hose is attached or selected in the control panel.	Attach the correct hose or select the correct hose dimension on control panel.
		The hose is damaged or compressed.	Replace the hose.
		The hose is clogged.	Clean the hose and remove the blockage.
	The red light flashes.	The main vacuum hose is disconnected.	Let an approved service agent repair the product.
 +  HEPA	The red light flashes and the warning triangle comes on.	The HEPA filters are missing, full or damaged.	Do a check of the HEPA filters, replace the HEPA filters if it is necessary. Refer to <i>To replace the HEPA filter on page 17.</i>
	The red light comes on.	The control unit is damaged.	Let an approved service agent repair the product.
		The ambient temperature is too high.	Make sure that the ambient temperature is in specified range when you use the product.
		Warning.	Look at the operation record of your Husqvarna Fleet Services™ app or speak to an approved service agent.
 HEPA	The yellow light comes on.	The HEPA filters are almost full.	Replace the HEPA filters if it is necessary. Refer to <i>To replace the HEPA filter on page 17.</i>
	The red light comes on.	The HEPA filters are full.	Replace the HEPA filters. Refer to <i>To replace the HEPA filter on page 17.</i>

---

## Transportation, storage and disposal

---

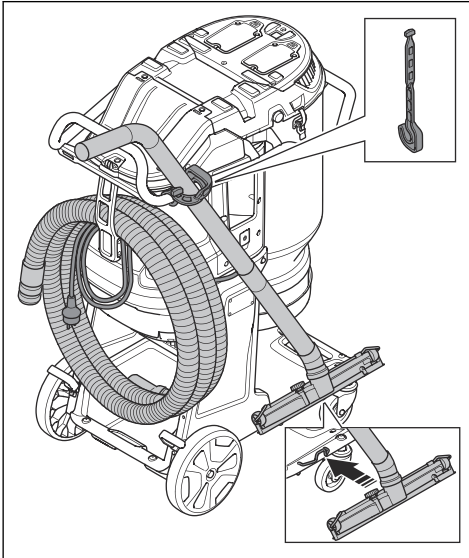
### To move the product

Make sure to use a closed vehicle during transportation of the product.

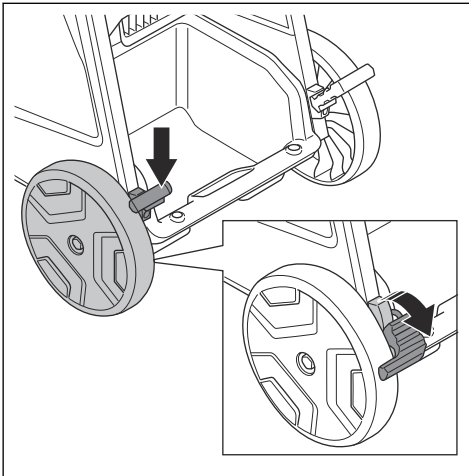
Make sure that the intake valve is closed. Make sure that the dust caps are on the hoses.

1. Make sure that the Longopac is installed on the product.
2. Make sure that the Longopac bag is empty.

3. Attach the power cord, the dust extraction hose and the handle pipe tightly to the product.

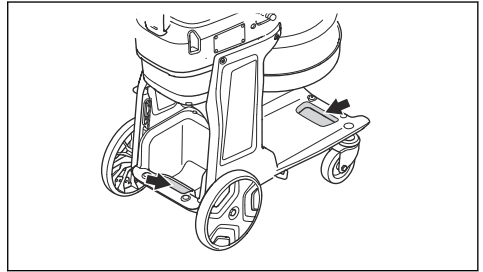


4. Lock the transport wheels.



5. Lift the product, refer to *To lift the product on page 22*.

6. Attach the product safely to the transportation vehicle to prevent damage and accidents. Use the tie-down points.



### To lift the product



**WARNING:** Make sure that the lifting equipment and the lifting straps have the correct specification to lift the product safely. The type plate on the product shows the product weight, refer to *Type plate on page 4*.

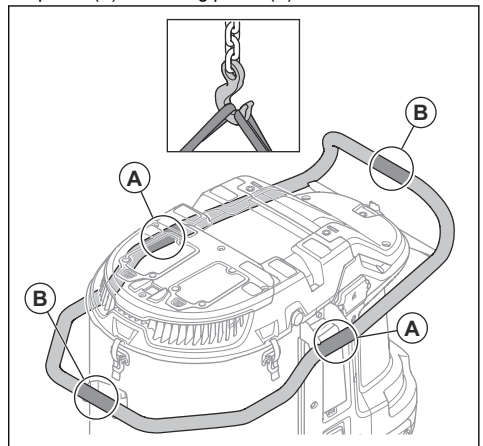


**WARNING:** Get aid if you are not sure about how to lift heavy equipment.



**WARNING:** Do not lift the product with dust in the tank or in the bag. Do not lift the product with added weight in or on the product.

1. Do the filter purge procedure before you lift the product. Refer to *To do a filter purge procedure on page 12*.
2. Attach the lifting equipment with lifting straps in lifting points (A) or in lifting points (B).





**WARNING:** Do not use metal hooks, chains or other lifting equipment with rough edges that can cause damage to the lifting eye. Only soft lifting straps are permitted.

---

## Storage of the product

---



**CAUTION:** Put the product in an indoor storage away from outdoor elements.

---

- Keep the product in storage where the ambient temperature is between -10°C/14°F and 40°C/104°F.
- Before storage, do the filter purge procedure and discard the Longopac with collected material.
- Disconnect the product from the power source.
- Put the product in a dry and frost-free area.
- Put the product in a locked area. Do not let children or not approved persons near the product.

## Disposal of the product

- Obey the local recycling requirements and applicable regulations.
- When the product no longer is used, send it to a Husqvarna dealer or discard it at a recycling location.

## Technical data

### Technical data

Data	DE 130 H [UK]	DE 130 H [EU/ROW]	DE 130 H [AU]	DE 130 H [BR]	DE 130 H [JP]
Rated Voltage, V	110	220–240			100
Phase	1				
Frequency, Hz	50–60				
Maximum power, W	2400	3000			1500
Maximum current, A	20	13			15
Maximum airflow turbine, m <sup>3</sup> /h / cfm	470/277	490/288			380/224
Maximum airflow extractor, m <sup>3</sup> /h / cfm	410/241	415/244			320/188
Maximum vacuum turbine, mbar/psi	245/3.6	275/4.0			170/2.5
Dust extraction hose length, m	10				
Dust extraction hose diameter mm	63				
Pre-filter area, m <sup>2</sup>	2.4				
Filter efficiency HEPA	HEPA 13				
Total HEPA area, m <sup>2</sup>	2.4				
Dust collection system, type	Longopac				
Filter cleaning mechanism	Auto pulse				
Weight, kg	47				
Sound power level L <sub>WA</sub> measured, dB(A) <sup>1</sup>	94.8				
Sound pressure level L <sub>PA</sub> at the operators ear, dB(A) <sup>2</sup>	78.5				
Vibration level a <sub>n</sub> , m/s <sup>23</sup>	≤2.5				
Protection class	IP55				
Mains connection (type)	2P+G 4H 32A	Schuko CEE 7/7	AS/NZS 3112	NBR 14136	JIS 8303 YP 12P

<sup>1</sup> Noise emissions in the environment measured as sound power (L<sub>WA</sub>) in conformity with IEC/EN 60335-2-69. Uncertainty Kwa 2dB.

<sup>2</sup> Noise pressure level according to IEC/EN 60335-2-69. Uncertainty KPA 2dB.

<sup>3</sup> Vibration level according to IEC/EN 60335-2-69. Reported data for vibration level has a typical statistical dispersion (standard deviation) of 1 m/s<sup>2</sup>.

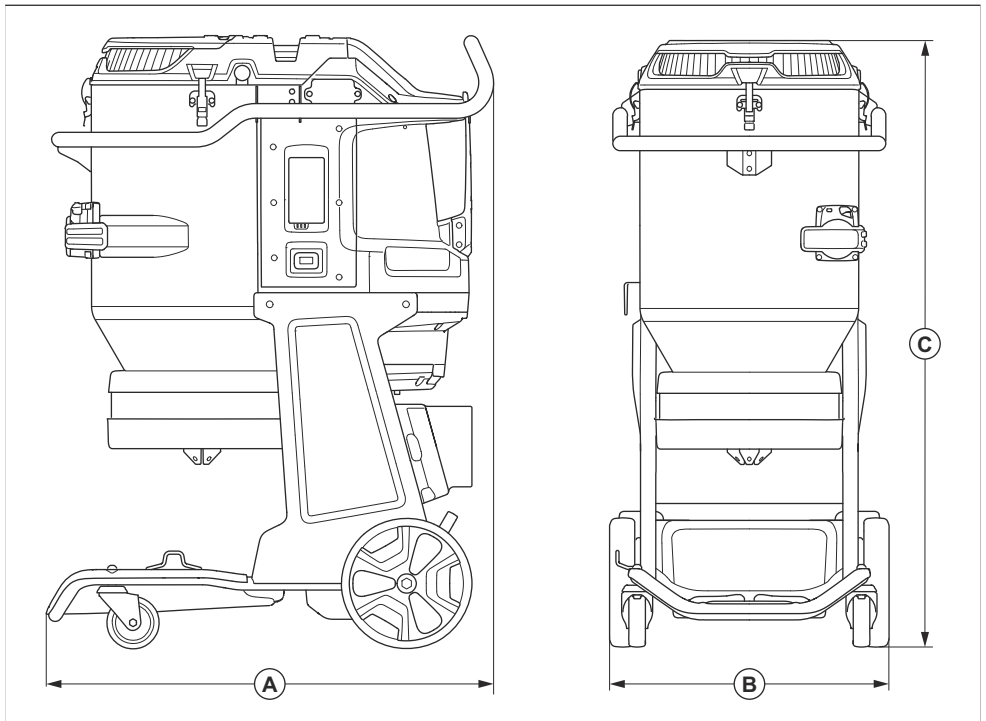


## Embedded connectivity

**Note:** This part is applicable only for products supplied with embedded connectivity.

BLE technology radio spectrum	
Frequency bands for the tool, GHz	2.402-2.480
Maximum radio-frequency power transmitted, dBm/mW	4/2.5

## Product dimensions



<b>A</b>	Length, mm/in.	855/34
<b>B</b>	Width, mm/in.	542/21
<b>C</b>	Height, mm/in.	1175/46

---

# Declaration of Conformity

---

## EU Declaration of Conformity

We, **Husqvarna AB**, SE-561 82 Huskvarna, Sweden, tel:  
+46-36-146500, declare on our sole responsibility that  
the product:

<b>Description</b>	Dust Extractor
<b>Brand</b>	HUSQVARNA
<b>Type / Model</b>	DE 130 H
<b>Identification</b>	Serial numbers dating from 2023 and onwards

complies fully with the following EU directives and  
regulations:

<b>Directive/Regulation</b>	<b>Description</b>
2006/42/EC	"relating to machinery"
2014/53/EU	"relating to radio equipment"
2011/65/EU	"relating to restriction of hazardous substances"

and that following standards and/ or technical  
specifications are applied;

EN ISO 12100:2010

EN 60335-1:2012+AC:2014+A11:2014+A13:2017

EN 60335-2-69:2012

EN 61000-3-2:2014

EN 61000-3-3:2013

ETSI EN 300 328 V2.1.1

ETSI EN 301 489-1 V2.2.3

ETSI EN 301 489-17 V3.2.0

Partille, 2023-06-07



Martin Huber

R&D Director, Concrete Surfaces & Floors

Husqvarna AB, Construction Division

Responsible for technical documentation

# UK Declaration of Conformity

We, Husqvarna AB, SE-561 82 Huskvarna, SWEDEN,  
Tel: +46 36 146500 declare on our sole responsibility  
that the product:

<b>Description</b>	<b>Floor cutting-off machine</b>
<b>Brand</b>	HUSQVARNA
<b>Type/Model</b>	DE 130 H
<b>Identification</b>	Serial numbers dating from 2023 and onwards

complies fully with the following UK regulations:

<b>Description</b>
The Supply of Machinery (Safety) Regulations 2008
The Radio Equipment Regulations 2017
The Restriction of the Use of Certain Hazardous Substances in Electrical and Electronic Equipment Regulations 2012

and that the following standards and/or technical specifications are applied;

EN ISO 12100:2010

EN 60335-1:2012+AC:2014+A11:2014+A13:2017

EN 60335-2-69:2012

EN 61000-3-2:2014

EN 61000-3-3:2013

ETSI EN 300 328 V2.1.1

ETSI EN 301 489-1 V2.2.3

ETSI EN 301 489-17 V3.2.0

Conformity assessment procedure acc to the Outdoor Noise Regulations of 2001: Scedule 8.

For information relating to noise emissions, see the Technical data chapter.

Partille N/A



UK Importer:  
Husqvarna UK Ltd  
Preston Road, Co. Durham  
DL5 6UP

A handwritten signature in black ink, appearing to read 'Martin Huber', with a long horizontal stroke extending to the right.

Martin Huber  
R&D Director, Concrete Surfaces & Floors  
Husqvarna AB, Construction Division  
Responsible for technical documentation

---

## Registered trademarks

---

The *Bluetooth*<sup>®</sup> word mark and logos are registered trademarks owned by *Bluetooth SIG, inc.* and any use of such marks by Husqvarna is under license.

---

## Inhalt

---

Einleitung.....	29	Transport, Lagerung und Entsorgung.....	50
Sicherheit.....	32	Technische Daten.....	52
Betrieb.....	36	Konformitätserklärung.....	54
Wartung.....	43	Eingetragene Marken.....	55
Fehlerbehebung.....	47		

---

## Einleitung

---

### Produktbeschreibung

Das Gerät ist ein einphasiger Staubabsauger. Staubige Luft strömt durch den Saugschlauch in das Einlassventil. Das Gerät trennt die Staubpartikel von der Luft. Die Partikel fallen in den Kunststoffbeutel an der Unterseite des Geräts.

### Verwendungszweck

---



**WARNUNG:** Saugen sie keine Zündquellen, heißen Partikel, Flüssigkeiten,

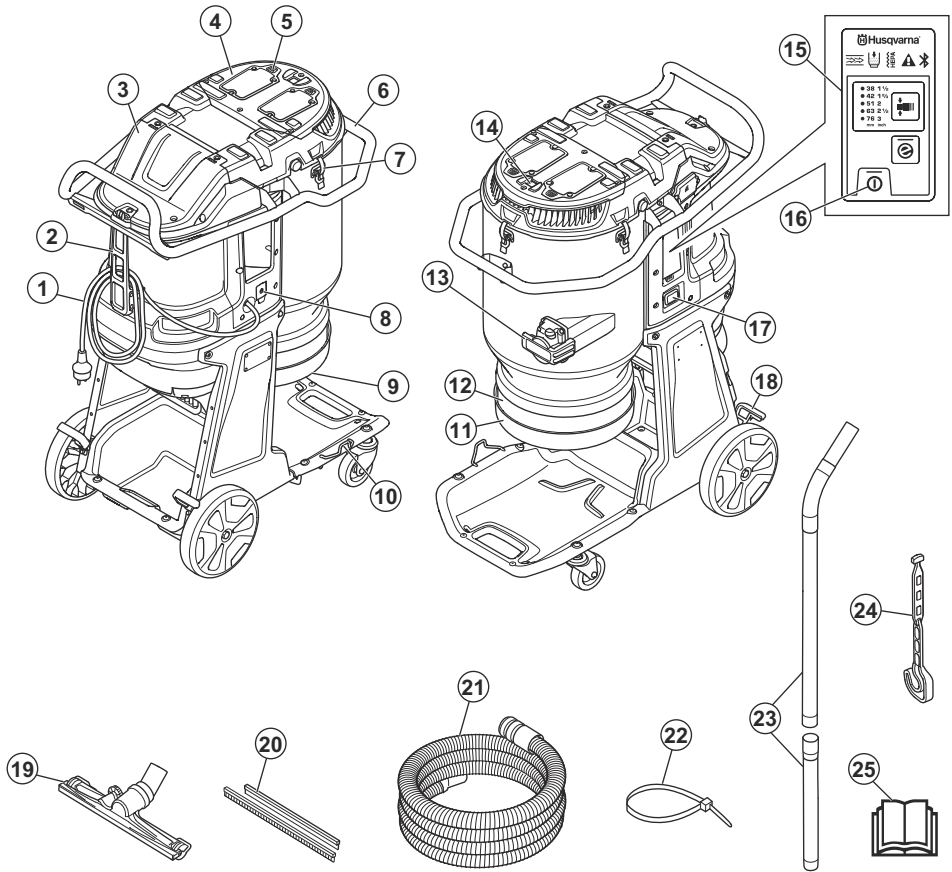
explosiven Materialien und instabile oder pyrophorische Partikel auf.

---

Das Gerät ist nur für professionelle Einsätze bestimmt. Das Gerät wird zum Auffangen und Entfernen von trockenem Material von Maschinen und Geräten verwendet. Das Material kann gefährlich und gesundheitsschädlich sein, siehe Staubklasse H in EN 60335-2-69.

Verwenden Sie das Gerät nicht für andere Aufgaben. Verwenden Sie das Gerät nur mit Zubehörteilen, die vom Hersteller genehmigt sind.

## Geräteübersicht



- |  |                           |
|--|---------------------------|
| 1. Kabel   | 16. ON/OFF-Taste          |
| 2. Befestigung für Kabel und Staubabsaugschlauch | 17. Betriebsstundenzähler |
| 3. HEPA Filterdeckel                             | 18. Radbremse             |
| 4. Vorfiltergehäuse                              | 19. Bodendüse             |
| 5. Filterspültaste                               | 20. Gummistreifen         |
| 6. Handgriff                                     | 21. Staubabsaugschlauch   |
| 7. Spannverschluss für das Griffrohr             | 22. Kabelbinder           |
| 8. Hauptschalter                                 | 23. Griffrohr             |
| 9. Gummikegel zur Staubabsaugung                 | 24. Griffrohrhalter       |
| 10. Bodendüsenhalter                             | 25. Bedienungsanleitung   |
| 11. Longopac-Halter                              |                           |
| 12. Longopac                                     |                           |
| 13. Einlassabdeckung                             |                           |
| 14. Auto-Pulse-Taste                             |                           |
| 15. Bedienfeld                                   |                           |

## Symbole auf dem Gerät



**WARNUNG:** Dieses Gerät kann gefährlich sein und schwere oder tödliche Verletzungen des Bedieners oder anderer Personen verursachen. Gehen Sie vorsichtig vor, und verwenden Sie das Gerät ordnungsgemäß.



Lesen Sie die Bedienungsanleitung sorgfältig durch, und machen Sie sich mit den Anweisungen vertraut, bevor Sie das Gerät verwenden.



Tragen Sie Gehörschutz, Augenschutz und Atemschutz. Siehe *Persönliche Schutzausrüstung auf Seite 35*.



Der elektrische Erdungspunkt an diesem Gerät ist durch das Erdungssymbol gekennzeichnet. Siehe *Anweisungen für geerdete Geräte auf Seite 36*.



Dieses Gerät stimmt mit den geltenden EG-Richtlinien überein.



Dieses Gerät entspricht den geltenden UK-Richtlinien.



Dieses Gerät ist H-klassifiziert, von einem Drittanbieter gemäß IEC-60335-2-69, EN-60335-2-69, Anhang AA, zertifiziert.

Dieses Gerät enthält gesundheitsschädlichen Staub. Das Entleeren, sowie auch Wartungsarbeiten, einschließlich der Entfernung der Staubsammelbehälter, darf nur von Fachleuten durchgeführt werden, die geeignete Schutzausrüstung tragen. Betreiben Sie den Staubsauger niemals ohne das komplette Filtersystem.



Das Gerät ist kein Hausmüll. Recyceln Sie es an einer offiziellen Recyclingstation für elektrische und elektronische Geräte.



Wenn das Gerät über Bluetooth® Wireless-Technologie verfügt, befindet sich das Bluetooth® Symbol auf dem Gerät. Siehe *Bluetooth® Drahtlostechnologie auf Seite 38*.

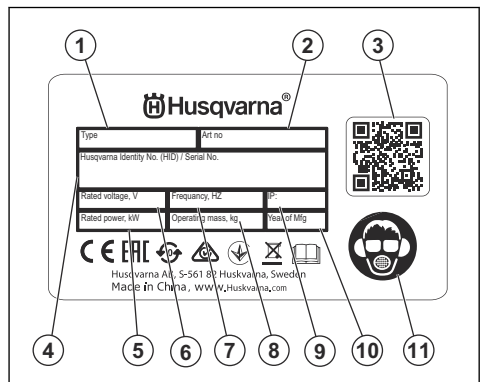
**Hinweis:** Sonstige Symbole/Aufkleber auf dem Gerät beziehen sich auf spezielle Zertifizierungsanforderungen, die in bestimmten Ländern gelten.

## Integrierte Konnektivität

Die Cloud-Asset-Verwaltungslösung Husqvarna Fleet Services™ bietet dem Flottenmanager eine Übersicht über alle verbundenen Geräte mit integrierten oder nachgerüsteten Sensoren. Die Position des Gateway oder Smartphones kann verwendet werden, um den Standort der verbundenen Geräte zu ermitteln. Die Sensoren zeichnen Daten wie Laufzeit, Wartungsintervalle und andere auf. Holen Sie sich für weitere Informationen zur Cloud-Asset-Verwaltungslösung Husqvarna Fleet Services™ die App Husqvarna Fleet Services™ für iOS oder Android unter <https://apps.apple.com/se/app/husqvarna-fleet-services/id1334672726> oder <https://play.google.com/store/apps/details?id=com.husqvarna.hfsmobile&hl=en>. Ihr Husqvarna-Fachhändler steht Ihnen gern für weitere Informationen zur Verfügung.

Manche Modelle dieses Geräts sind über den integrierten Husqvarna Fleet Services™-Sensor verbunden, der die Funktion Bluetooth Low Energy (BLE) unterstützt. Weitere Informationen zur Nutzung finden Sie unter *So verwenden Sie die integrierte Konnektivität mit Fleet auf Seite 39*. Siehe *Integrierte Konnektivität auf Seite 53* für weitere Informationen zum BLE-Technologie-Frequenzspektrum.

## Typenschild



1. Modell
2. Artikelnummer
3. Scanbarer Code
4. Seriennummer
5. Nennleistung oder -strom (A)
6. Nennspannung
7. Frequenz
8. Gewicht

- 9. IP-Klasse
- 10. Produktionsjahr
- 11. Persönliche Schutzausrüstung

## Produkthaftung

Im Sinne der Produkthaftungsgesetze übernehmen wir keine Haftung für Schäden, die unser Gerät verursacht, wenn...

- das Gerät nicht ordnungsgemäß repariert wird.

- das Gerät mit Teilen repariert wird, die nicht vom Hersteller stammen oder nicht vom Hersteller zugelassen sind.
- ein Zubehörteil mit dem Gerät verwendet wird, das nicht vom Hersteller stammt oder nicht vom Hersteller zugelassen ist.
- das Gerät nicht bei einem zugelassenen Service Center oder von einem zugelassenen Fachmann repariert wird.

---

## Sicherheit

---

### Sicherheitsdefinitionen

Warnungen, Vorsichtsmaßnahmen und Hinweise werden verwendet, um auf besonders wichtige Teile der Bedienungsanleitung hinzuweisen.



**WARNUNG:** Wird verwendet, wenn bei Nichtbeachtung der Anweisungen in diesem Handbuch die Gefahr von Verletzung oder Tod des Bedieners oder anderer Personen besteht.



**ACHTUNG:** Wird verwendet, wenn bei Nichtbeachtung der Anweisungen in diesem Handbuch die Gefahr von Schäden am Gerät, an anderen Materialien oder in der Umgebung besteht.

**Hinweis:** Für weitere Informationen, die in bestimmten Situationen nötig sind.

### Allgemeine Sicherheitshinweise



**WARNUNG:** Lesen Sie die folgenden Warnhinweise, bevor Sie das Gerät benutzen.

- Dieses Gerät ist ein gefährliches Werkzeug, wenn Sie nicht aufpassen oder es unsachgemäß verwenden. Dieses Gerät kann schwere oder tödliche Verletzungen des Bedieners oder anderer Personen verursachen. Es ist sehr wichtig, dass Sie vor der Anwendung des Geräts den Inhalt dieser Bedienungsanleitung gelesen und verstanden haben.
- Der Gebrauch des Geräts durch Personen (einschließlich Kindern), die über eingeschränkte körperliche, sensorische oder geistige Fähigkeiten verfügen, ist untersagt, sofern sie nicht von einer für ihre Sicherheit verantwortlichen Person bei der Arbeit überwacht und im Gebrauch des Geräts zuvor geschult wurden.
- Stellen Sie vor der Verwendung sicher, dass Sie über Erfahrung und Kenntnisse über das Gerät verfügen.
- Stellen Sie sicher, dass alle Bedienelemente ausgeschaltet sind, bevor Sie das Netzkabel abziehen.
- Halten Sie alle geltenden Gesetze und Vorschriften ein.
- Der Bediener und dessen Arbeitgeber müssen die mit dem Betrieb des Geräts verbundenen Gefahren kennen und vermeiden.
- Untersagen Sie allen Personen die Benutzung des Geräts, bis diese den Inhalt der Betriebsanleitung gelesen und verstanden haben.
- Verwenden Sie das Gerät nicht, ohne vorher dafür geschult worden zu sein. Stellen Sie sicher, dass alle Bediener Schulungen erhalten.
- Lassen Sie nicht zu, dass Kinder das Gerät verwenden.
- Es dürfen nur zugelassene Personen mit dem Gerät arbeiten.
- Der Bediener ist für Unfälle verantwortlich, die anderen Personen zustoßen oder an deren Eigentum entstehen.
- Verwenden Sie das Gerät nicht, wenn Sie müde oder krank sind oder unter Einfluss von Alkohol, Drogen oder Medikamenten stehen.
- Lassen Sie immer Vorsicht walten, und arbeiten Sie mit gesundem Menschenverstand.
- Dieses Gerät erzeugt beim Betrieb ein elektromagnetisches Feld. Dieses Feld kann sich unter bestimmten Bedingungen auf die Funktionsweise aktiver oder passiver medizinischer Implantate auswirken. Um die Gefahr von Situationen, die zu schweren oder tödlichen Verletzungen führen können, zu verringern, sollten Personen mit einem medizinischen Implantat vor der Nutzung dieses Gerätes mit ihrem Arzt und dem Hersteller des Implantats sprechen.
- Halten Sie das Gerät sauber. Stellen Sie sicher, dass Symbole und Aufkleber deutlich lesbar sind.
- Verwenden Sie das Gerät nicht, wenn es defekt ist.
- Nehmen Sie keine Modifikationen am Gerät vor.



- Bedienen Sie das Gerät nicht, wenn die Möglichkeit besteht, dass andere Personen Modifikationen daran durchgeführt haben.
- Benutzen Sie das Gerät nicht ohne die notwendigen Filter.
- Bewahren Sie alle Warn- und Sicherheitshinweise auf.

## Sicherheit im Arbeitsbereich

- **Sorgen Sie für einen sauberen und gut ausgeleuchteten Arbeitsbereich.** Durch zugestellte oder dunkle Arbeitsbereiche steigt die Unfallgefahr stark an.
- **Betreiben Sie das Gerät niemals an Orten, an denen Explosionsgefahr besteht, z. B. in der Nähe von leicht entzündlichen Flüssigkeiten, Gasen oder Staubansammlungen.** Bei der Arbeit mit dem Gerät kann es zu Funkenbildung kommen, wodurch sich Stäube oder Dämpfe entzünden können.
- **Sorgen Sie bei der Arbeit mit dem Gerät dafür, dass sich keine Kinder oder unbefugte Personen in der Nähe befinden.** Durch Ablenkungen können Sie die Kontrolle über das Werkzeug verlieren.

## Elektrische Sicherheit



**WARNUNG:** Setzen Sie das Gerät nicht Regen oder Nässe aus. Das Eindringen von Wasser in ein Elektrogerät erhöht das Risiko eines Stromschlags.

- **Der Stecker am Netzkabel des Geräts muss zu Steckdose passen. Verändern Sie auf keinen Fall den Netzstecker. Verwenden Sie keine Adapterstecker mit geerdeten Geräten.** Nicht modifizierte Stecker und Steckdosen reduzieren das Risiko eines Stromschlags.
- **Stecken Sie den Stecker in eine geeignete geerdete Steckdose, die ordnungsgemäß und sicher installiert wurde und den örtlichen Vorschriften entspricht. Wenn Sie sich nicht sicher sind, ob die Erdung/das Massekabel der Steckdose effektiv ist, lassen Sie sie von einem qualifizierten Spezialisten überprüfen.**
- **Vermeiden Sie Körperkontakt mit geerdeten Gegenständen wie Rohrleitungen, Heizungen, Kochern, Herden oder Kühlschränken.** Bei Körperkontakt mit geerdeten Gegenständen besteht ein erhöhtes Stromschlagrisiko.
- **Stellen Sie sicher, dass das Netzkabel nicht in einer Wasserpfütze liegt.**
- **Überprüfen Sie das Netzkabel des Geräts in regelmäßigen Abständen, und lassen Sie es vom Hersteller oder dessen Vertreter austauschen, wenn Schäden festgestellt werden. Überprüfen Sie die Verlängerungskabel regelmäßig, und tauschen Sie sie aus, wenn sie beschädigt sind.**
- **Berühren Sie das Netzkabel oder Verlängerungskabel nicht, wenn sie während der Arbeit beschädigt sind. Trennen Sie das Netzkabel von der Stromversorgung.** Beschädigte

Netzkabel oder Verlängerungskabel stellen ein Stromschlagrisiko dar.

- **Verwenden Sie das Anschlusskabel nicht missbräuchlich. Verwenden Sie das Anschlusskabel niemals zum Tragen oder Heranziehen des Geräts, und ziehen Sie den Stecker nicht am Anschlusskabel aus der Steckdose. Halten Sie das Kabel von Hitze, Öl, scharfen Kanten oder beweglichen Teilen fern.** Beschädigte oder verdrehte Anschlusskabel erhöhen das Stromschlagrisiko.
- **Wenn Sie ein Elektrowerkzeug im Freien benutzen, verwenden Sie nur für den Außeneinsatz geeignete Verlängerungskabel.** Ein für den Außeneinsatz geeignetes Verlängerungskabel vermindert das Stromschlagrisiko.
- **Schalten Sie das Gerät bei einer Unterbrechung der Stromversorgung aus, und ziehen Sie den Netzstecker aus der Steckdose.**
- **Betreiben Sie das Gerät niemals, wenn es schmutzig oder nass ist.** Staub (insbesondere Staub von leitenden Materialien) oder Feuchtigkeit auf der Oberfläche des Geräts kann unter ungünstigen Bedingungen zu einem Stromschlag führen. **Schmutzige oder staubige Geräte sollten daher regelmäßig von einem zugelassenen Kundendienst überprüft werden, insbesondere wenn sie häufig für Arbeiten an leitfähigen Materialien eingesetzt werden.**
- **Falls der Einsatz eines Geräts in einer feuchten Umgebung nicht zu vermeiden ist, benutzen Sie eine Stromversorgung mit FI-Schutzschalter (RCD).** Die Verwendung einer Fehlerstrom-Schutzeinrichtung (RCD) verringert das Risiko eines elektrischen Schlags.
- Führen Sie regelmäßige elektrische Sicherheitsprüfungen am Gerät durch. Die korrekte Vorgehensweise ist den örtlichen Vorschriften zu entnehmen.

## Persönliche Sicherheit

- **Blieben Sie aufmerksam, achten Sie auf das, was Sie tun, und setzen Sie gesunden Menschenverstand ein, wenn Sie mit dem Gerät arbeiten. Verwenden Sie das Gerät nicht, wenn Sie müde sind oder unter dem Einfluss von Drogen, Alkohol oder Medikamenten stehen.** Bei der Arbeit mit dem Gerät können bereits kurze Phasen der Unaufmerksamkeit zu schweren Verletzungen führen.
- **Tragen Sie eine persönliche Schutzausrüstung. Tragen Sie stets einen Augenschutz.** Schutzausrüstung wie Atemschutzmaske, rutschsichere Sicherheitsschuhe, Schutzhelm und Gehörschutz senkt bei angemessenem Einsatz das Verletzungsrisiko.
- **Vermeiden Sie ein versehentliches Starten. Achten Sie darauf, dass sich der Schalter in der Aus-Stellung (Off) befindet, bevor Sie das Elektrowerkzeug an die Stromversorgung anschließen, es anheben oder transportieren.** Durch

Herumtragen des Geräts mit dem Finger am Schalter und das Einstecken des Steckers bei betätigtem Schalter erhöht sich das Unfallrisiko.

- **Entfernen Sie sämtliche Einstellschlüssel, bevor Sie das Gerät einschalten.** Ein an einem beweglichen Teil des Geräts angebrachter Schlüssel kann zu Verletzungen führen.
- **Arbeiten Sie nicht über die normale Reichweite hinaus. Achten Sie jederzeit darauf, sicher zu stehen und das Gleichgewicht zu bewahren.** Dadurch haben Sie das Gerät in unerwarteten Situationen besser im Griff.
- **Kleiden Sie sich richtig. Tragen Sie niemals lose sitzende Kleidung oder Schmuck. Halten Sie Haar und Kleidung von beweglichen Teilen fern.** Lose sitzende Kleidung, Schmuck oder langes Haar kann von beweglichen Teilen erfasst werden.
- **Wenn Anschlüsse für Staubabsaug- und Staubsammelvorrichtungen vorhanden sind, sorgen Sie dafür, dass diese richtig angeschlossen und eingesetzt werden.** Die Verwendung von Staubsammelvorrichtungen kann staubbedingte Gefahren verringern.
- **Auch wenn Sie durch häufige Verwendung bestens mit den Werkzeugen vertraut sind, dürfen Sie keinesfalls nachlässig werden und die Sicherheitsgrundsätze ignorieren.** Eine achtlose Handlung kann im Bruchteil einer Sekunde zu schweren Verletzungen führen.

## Produktverwendung und -pflege

- **Wenden Sie keine Gewalt an. Beschränken Sie sich für Ihren Einsatz auf das korrekte Gerät.** Das korrekte Gerät wird die Aufgabe besser und sicherer und mit der Leistung ausführen, für die es ausgelegt ist.
- **Benutzen Sie das Gerät nicht, wenn es sich nicht am Schalter ein- und ausschalten lässt.** Jedes Gerät, das nicht mit dem Schalter betätigt werden kann, stellt eine Gefahr dar und muss repariert werden.
- **Klemmen Sie das Gerät von der Stromquelle ab (sofern trennbar), bevor Sie Einstellarbeiten vornehmen, Zubehörteile austauschen oder das Gerät verstauen.** Mit diesen Präventivmaßnahmen reduzieren Sie das Risiko eines versehentlichen unkontrollierten Starts des Gerätes.
- **Lagern Sie nicht benutzte Geräte außerhalb der Reichweite von Kindern, und lassen Sie nicht zu, dass Personen das Gerät bedienen, die nicht mit dem Gerät selbst und/oder diesen Anweisungen vertraut sind.** Das Gerät stellt in ungeschulten Händen eine Gefahr dar.
- **Warten Sie das Gerät und das Zubehör. Prüfen Sie, ob bewegliche Teile falsch eingestellt sind oder klemmen, ob Teile gebrochen oder so weit beschädigt sind, dass der Betrieb des Geräts beeinträchtigt werden kann. Bei Beschädigungen lassen Sie das Gerät reparieren, bevor Sie es benutzen.** Viele Unfälle sind auf schlechte Wartung der Geräte zurückzuführen.

- **Halten Sie Schneidwerkzeuge scharf und sauber.** Ordnungsgemäß gewartete Schneidwerkzeuge mit scharfen Schneidkanten bleiben seltener hängen und sind einfacher zu bedienen.
- **Benutzen Sie das Gerät, Zubehör, Werkzeugspitzen und Ähnliches in Übereinstimmung mit diesen Anweisungen und auf die für das jeweilige Elektrowerkzeug bestimmungsgemäße Weise und beachten Sie dabei die jeweiligen Arbeitsbedingungen und die Art der auszuführenden Arbeiten.** Der Einsatz des Geräts für bestimmungswidrige Zwecke kann zu Gefahrensituationen führen.
- **Halten Sie die Handgriffe und Griffflächen trocken, sauber und frei von Öl und Fett.** Wenn Handgriffe und Griffflächen rutschig sind, kann das Werkzeug in unerwarteten Situationen nicht sicher bedient und kontrolliert werden.

## Service

- Lassen Sie Wartungen nur von einem autorisierten Service-Center und nur mit zugelassenen Ersatzteilen durchführen. Dadurch bleibt das Gerät sicher.
- Weitere Informationen finden Sie unter *Wartungsplan auf Seite 43.*

## Sicherheitshinweise für die Montage



**WARNUNG:** Lesen Sie die folgenden Warnhinweise, bevor Sie das Gerät zusammensetzen.

- Unzulässige Änderungen und/oder Zubehör können zu schweren oder tödlichen Verletzungen des Benutzers oder anderer Personen führen.
- Verwenden Sie Aufsätze nur, wie in diesem Handbuch beschrieben. Verwenden Sie nur vom Hersteller empfohlene Aufsätze.
- Stellen Sie sicher, dass die Montagefläche fest ist, damit das Gerät nicht umkippen kann. Gefahr von Verletzungen und Sachschäden.
- Vorsicht: Bei der Montage des Geräts können die Spannverschlüsse zu Verletzungen führen.

## Sicherheitshinweise für den Betrieb



**WARNUNG:** Lesen Sie die folgenden Warnhinweise, bevor Sie das Gerät benutzen.

- Verwenden Sie das Gerät nicht, wenn das Stromkabel oder der Stecker beschädigt ist.
- Wenn das Gerät nicht ordnungsgemäß funktioniert, auf den Boden fällt, beschädigt ist, im Freien zurückgelassen wird oder ins Wasser fällt, schalten Sie es aus. Die Reparatur von einer autorisierten Servicewerkstatt durchführen lassen.

- Stellen Sie sicher, dass der Motor und alle Bedienelemente ausgeschaltet sind, bevor Sie das Netzkabel abziehen.
- Ziehen Sie das Netzkabel aus der Steckdose, wenn das Gerät nicht verwendet wird, bevor Sie Wartungsarbeiten durchführen oder sich vom Gerät entfernen.
- Ziehen Sie nicht am Netzkabel, um es aus der Steckdose zu ziehen. Ziehen Sie immer am Stecker, um ihn von der Steckdose zu trennen.
- Bei Temperaturen unter -10 °C darf das Gerät nicht betrieben werden.
- Betreiben Sie das Gerät nicht in explosionsgefährdeten Bereichen oder in Bereichen mit brennbaren Flüssigkeiten oder Materialien.
- Legen Sie keine Gegenstände in Öffnungen.
- Nehmen Sie das Gerät nicht in Betrieb, wenn eine Öffnung blockiert ist. Entfernen Sie Staub, Fusseln, Haare oder andere Materialien, die den Luftstrom verringern können.
- Betreiben Sie das Gerät nicht mit nassen Händen und ziehen Sie nicht am Netzstecker.
- Stellen Sie sicher, dass keine Haare, lose Kleidungsstücke oder Körperteile in die Nähe von Öffnungen und beweglichen Teilen gelangen.
- Betreiben Sie das Gerät sehr vorsichtig auf Treppen, um Schäden und Verletzungen zu vermeiden, wenn das Gerät herunterfällt.
- Stellen Sie sicher, dass Sie den Motor im Notfall immer schnell stoppen können.
- Verriegeln Sie bei Arbeiten auf unebenem Untergrund stets die Transporträder.
- Betreiben Sie das Gerät nicht ohne einen Longopac Beutel und Schmutzsiebe. Tauschen Sie Longopac Beutel und Schmutzsiebe gemäß den Anweisungen in diesem Handbuch aus.
- Wenn das Gerät ungewöhnliche Vibrationen oder Geräusche aufweist, schalten Sie das Gerät sofort aus, und trennen Sie das Netzteil. Das Gerät auf Beschädigungen untersuchen. Ungewöhnliche Vibrationen deuten in der Regel auf eine Beschädigung hin. Reparieren Sie Schäden, oder lassen Sie eine autorisierte Servicewerkstatt die Reparatur durchführen.
- Verwenden Sie immer zugelassenes Zubehör. Ihr Husqvarna-Vertreter steht Ihnen gern für weitere Informationen zur Verfügung.

## Persönliche Schutzausrüstung



**WARNUNG:** Lesen Sie die folgenden Warnhinweise, bevor Sie das Gerät benutzen.

- Verwenden Sie stets die vorgeschriebene persönliche Schutzausrüstung bei der Bedienung des Geräts. Die persönliche Schutzausrüstung kann Verletzungen nicht vollständig vermeiden, vermindert aber den Umfang der Verletzungen

und Schäden bei einem Unfall. Lassen Sie sich bei der Auswahl der korrekten persönlichen Schutzausrüstung von Ihrem Händler beraten.

- Überprüfen Sie regelmäßig den Zustand der persönlichen Schutzausrüstung.
- Verwenden Sie einen zugelassenen Schutzhelm.
- Tragen Sie einen zugelassenen Gehörschutz.
- Tragen Sie einen zugelassenen Atemschutz der Klasse P2 oder höher.
- Tragen Sie einen zugelassenen Augenschutz.
- Tragen Sie stets Schutzhandschuhe.
- Tragen Sie Sicherheitsschuhe.

## Sicherheitshinweise für die Wartung



**WARNUNG:** Lesen Sie die folgenden Warnhinweise, bevor Sie das Gerät benutzen.

- Wenn die Wartung nicht ordnungsgemäß und regelmäßig erfolgt, erhöhen sich die Verletzungsgefahr und das Risiko für eine Beschädigung des Geräts.
- Tragen Sie eine persönliche Schutzausrüstung. Siehe *Persönliche Schutzausrüstung auf Seite 35*.
- Trennen Sie das Gerät vom Netz, bevor Sie Wartungsarbeiten durchführen.
- Verändern Sie das Gerät nicht. Veränderungen am Gerät, die vom Hersteller nicht genehmigt wurden, können zu schweren Verletzungen oder zum Tod führen.
- Verwenden Sie immer Originalersatzteile und Originalzubehör. Zubehör und Ersatzteile, die vom Hersteller nicht genehmigt wurden, können zu schweren Verletzungen oder zum Tod führen.
- Ersetzen Sie beschädigte, abgenutzte oder defekte Teile.
- Führen Sie nur Wartungsarbeiten durch, die gemäß dieser Betriebsanleitung vorgegeben sind. Lassen Sie alle anderen Wartungsarbeiten von einer autorisierten Servicewerkstatt durchführen.
- Ein erforderlicher Austausch des Netzkabels muss durch den Hersteller oder dessen Servicewerkstatt erfolgen, um Sicherheitsgefahren zu vermeiden.
- Lassen Sie das Gerät regelmäßig von einer autorisierten Servicewerkstatt warten.

## Sicherheitsvorrichtungen am Gerät



**WARNUNG:** Lesen Sie die folgenden Warnhinweise, bevor Sie das Gerät benutzen.

- Benutzen Sie nie ein Gerät mit defekter Sicherheitsausrüstung! Wenn Ihr Gerät diesen Anforderungen nicht entspricht, muss eine Servicewerkstatt aufgesucht werden.

- Verwenden Sie das Gerät nicht, wenn Schutzbleche, Schutzabdeckungen, Sicherheitsschalter oder anderen Schutzvorrichtungen sind nicht angebracht oder defekt sind.

bearbeiten wollen, und verwenden Sie einen geeigneten Atemschutz.

---

## Arbeiten Sie stets mit gesundem Menschenverstand!

---



**WARNUNG:** An der Bauweise des Geräts dürfen ohne vorherige Genehmigung des Herstellers keine Veränderungen vorgenommen werden. Verwenden Sie stets Originalersatzteile. Unzulässige Änderungen und/oder Zubehör können zu schweren oder tödlichen Verletzungen des Benutzers oder anderer Personen führen.



**WARNUNG:** Die Verwendung von Fräsmaschinen, Schleifmaschinen und Bohrern, die Material abschleifen oder umformen, kann Staub und Ausdünstungen verursachen, die gefährliche Chemikalien enthalten können. Überprüfen Sie die Beschaffenheit des Materials, das Sie

Es ist nicht möglich, hier alle denkbaren Situationen zu beschreiben, die beim Gebrauch dieses Geräts auftreten könnten. Gehen Sie stets vorsichtig vor und arbeiten Sie mit gesundem Menschenverstand. Vermeiden Sie Situationen, denen Sie sich nicht gewachsen fühlen. Wenn Sie sich nach dem Lesen dieser Anweisungen immer noch unsicher fühlen, wie Sie vorgehen sollen, bitten Sie einen Fachmann um Rat, bevor Sie fortfahren.

Zögern Sie nicht, Ihren Husqvarna-Fachhändler anzusprechen, wenn Sie Fragen bezüglich des Gebrauchs des Geräts haben. Wir sind gerne für Sie da und helfen Ihnen beim optimalen und sicheren Einsatz Ihres Geräts.

Ihr Husqvarna-Fachhändler sollte das Gerät regelmäßig überprüfen und notwendige Einstellungen und Reparaturen vornehmen.

Husqvarna AB arbeitet ständig an der Weiterentwicklung der Geräte. Husqvarna behält sich daher das Recht vor, ohne vorherige Ankündigung und ohne weitere Verpflichtungen Konstruktionsänderungen einzuführen.

Alle Informationen und Daten dieser Bedienungsanleitung gelten zum Zeitpunkt der Drucklegung.

---

## Betrieb

---

### Anweisungen für geerdete Geräte

---



**WARNUNG:** Ein falscher Anschluss kann zu einem Stromschlag führen. Wenden Sie sich an einen qualifizierten Elektriker, wenn Sie Zweifel daran haben, ob die Netzsteckdose richtig geerdet ist.

Nehmen Sie keine Modifikationen am Netzstecker vor. Dieser muss den Werksspezifikationen entsprechen. Wenn der Netzstecker oder das Netzkabel beschädigt ist oder ersetzt werden muss, wenden Sie sich an Ihre Husqvarna Servicewerkstatt. Beachten Sie die vor Ort geltenden Vorschriften und Gesetze.

Wenden Sie sich an einen qualifizierten Elektriker, wenn Sie die Anweisungen hinsichtlich des geerdeten Geräts nicht vollständig verstehen.

Gefahr eines elektrischen Schlags, wenn eine Störung vorliegt.

Verwenden Sie für dieses Gerät ein einphasiges Stromnetz.

Verwenden Sie keine elektrischen Adapter am Gerät.

### Bevor Sie das Gerät bedienen

---



**WARNUNG:** Um Verletzungsgefahr zu vermeiden, stellen Sie sicher, dass Sie den Gerätestecker vollständig am Verlängerungskabel anbringen. Überprüfen Sie die Verbindung regelmäßig, während Sie das Gerät bedienen, um sicherzustellen, dass es vollständig angeschlossen ist. Verwenden Sie kein Verlängerungskabel, das eine lockere Verbindung herstellt.

---

**Hinweis:** Die Betriebsbedingungen sind 800 m/ 2625 ft. maximale Höhe, eine Temperatur zwischen -10 °C/14 °F und +40 °C/104 °F und eine Luftfeuchtigkeit von 85 %.

---

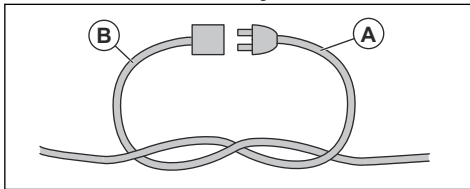
**Hinweis:** Lesen Sie die Bedienungsanleitung für die beigelegte Ausrüstung sorgfältig durch. Wenn die

Verwenden Sie nur geerdete Verlängerungskabel für den Außenbereich mit Erdungssteckern und einer Erdungssteckdose, die für den Netzstecker des Geräts geeignet ist.

Das Gerät verfügt über ein geerdetes Netzkabel und einen Netzstecker. Schließen Sie das Gerät immer an eine geerdete Steckdose an. Dadurch verringert sich die

angegebenen Anforderungen oder Einstellungen für den Staubabsauger gegeben sind, beachten Sie diese.

1. Lesen Sie die Betriebsanleitung sorgfältig durch, und stellen Sie sicher, dass Sie die Anweisungen verstehen.
2. Führen Sie die tägliche Wartung durch. Siehe *Wartungsplan auf Seite 43*.
3. Stellen Sie sicher, dass der Arbeitsbereich sauber und hell ist.
4. Tragen Sie eine persönliche Schutzausrüstung. Siehe *Persönliche Schutzausrüstung auf Seite 35*.
5. Stellen Sie sicher, dass das Gerät korrekt installiert ist.
6. Stellen Sie sicher, dass die Frequenz und die Spannung auf dem Typenschild mit der Netzspannung übereinstimmen. Dies gilt auch für die Verlängerungskabel.
7. Befestigen Sie das Gerätekabel (A) während des Betriebs mit dem Verlängerungskabel (B), um sicherzustellen, dass es angeschlossen bleibt.

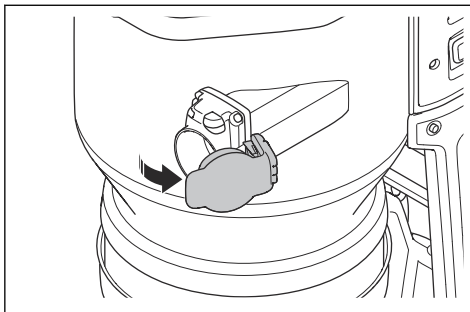


### So bringen Sie den Staubabsaugerschlauch an

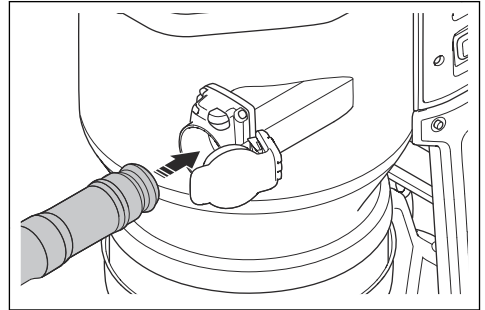


**WARNUNG:** Verwenden Sie einen antistatischen Schlauch, um antistatische Wirkungen zu vermeiden.

1. Öffnen Sie den Schlauchverbinder.



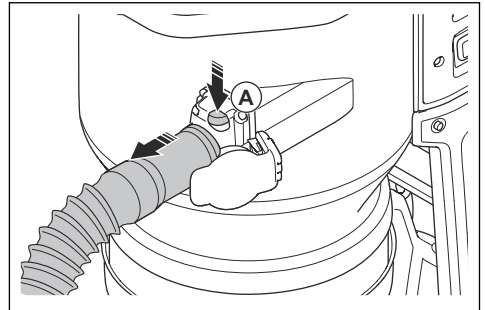
2. Setzen Sie den Schlauchadapter in den Schlauchverbinder ein.



3. Drücken Sie den Schlauchadapter, bis er hörbar einrastet, um ihn in die richtige Position zu bringen.

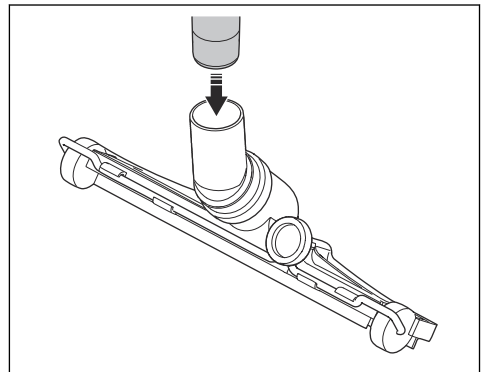
### Entfernen des Staubabsaugerschlauchs

- Drücken Sie den Schlauchsperrknopf (A), und ziehen Sie am Staubabsaugerschlauch.

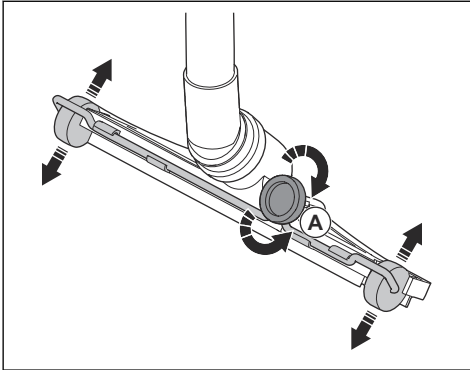


### Anbringen und Einstellen der Bodendüse

1. Setzen Sie das Ende des Handgriffs vollständig in den Schaft der Bodendüse ein.



2. Drehen Sie den Knopf (A) an der Rückseite der Bodendüse, um die Räder der Bodendüse einzustellen. Verschiedene Oberflächen und verschiedene Arten von Staub und Materialien machen es erforderlich, die Räder einzustellen, um die beste Leistung zu erzielen.



## Bluetooth® Drahtlostechnologie

Geräte mit eingebauter Bluetooth® Drahtlostechnologie können mit mobilen Geräten verbunden werden und von der Verbindung mit Husqvarna können zusätzliche Funktionen aktiviert werden.

Das Symbol für Bluetooth® Drahtlostechnologie leuchtet auf, wenn Ihr Mobiltelefon mit dem Gerät verbunden ist.



## Ver- und Entriegeln der Transporträder

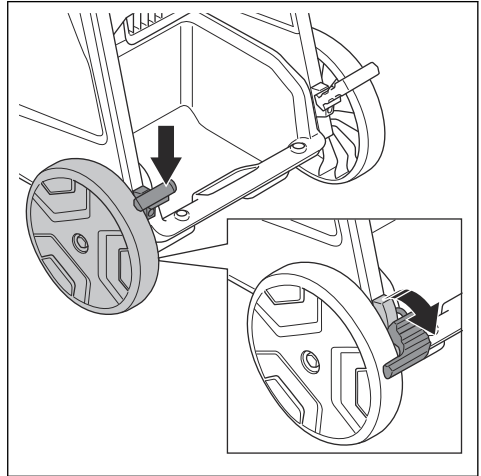
Für den Betrieb auf einer geeigneten Oberfläche müssen die Transporträder verriegelt werden.



**WARNUNG:** Räder und Lager müssen sauber und staubfrei sein, um sicheren Betrieb zu gewährleisten. Siehe *Wartungsplan auf Seite 43*.

1. Halten Sie das Gerät in einer festen und sicheren Position.

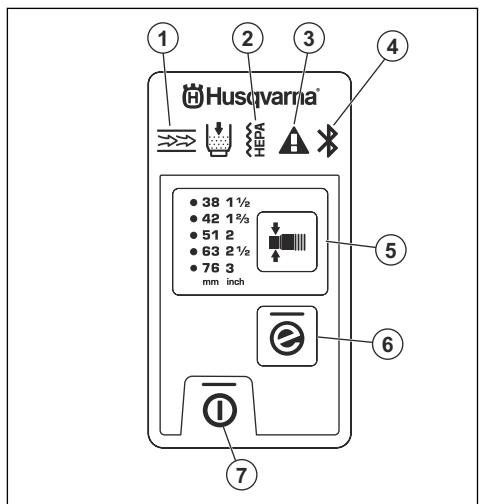
2. Drücken Sie die Radbremse auf beiden Seiten nach unten, um die Räder zu verriegeln.



3. Ziehen Sie die Radbremsen nach oben, um die Räder zu entriegeln.

## Funktionen des Bedienfelds

Das Bedienfeld steuert und überwacht wichtige Funktionen und Einstellungen des Geräts. Siehe *Warnungen auf dem Bedienfeld auf Seite 49* zur Lösungsfindung für Warnungen.



1. Der VorfILTER ist verstopft. Siehe *So führen Sie das Filterspülverfahren durch auf Seite 40*.
2. Der HEPA Filter ist verstopft, beschädigt oder fehlt. Siehe *Austausch des HEPA-Filters auf Seite 46*.
3. Warnung. Siehe *Warnungen auf dem Bedienfeld auf Seite 49*.

- Bluetooth® Anschluss. Siehe *So verwenden Sie die integrierte Konnektivität mit Fleet auf Seite 39*.
- Durchmesseränderungsfunktion für Schlauch, siehe *Auswahl des Schlauchdüsendurchmessers auf Seite 39*
- e-Flow-Taste, siehe *e-Flow-Funktion auf Seite 39*
- ON/OFF-Taste

## So verwenden Sie die integrierte Konnektivität mit Fleet

**Hinweis:** Dieser Abschnitt gilt nur für Geräte mit integrierter Konnektivität.

**Hinweis:** Die Funkverbindung über die Bluetooth®-Funktion wird aktiviert, wenn das Gerät zum ersten Mal an eine Netzsteckdose angeschlossen wird, und bleibt danach aktiv.

- Laden Sie Husqvarna Fleet Services als Husqvarna Fleet Services™ App für iOS oder Android herunter.
- Besuchen Sie die Webseite von Husqvarna Fleet Services unter <https://fleetservices.husqvarna.com> für weitere Informationen.

### e-Flow-Funktion

Das Gerät verfügt über eine e-Flow-Funktion. Diese Funktion passt den Luftstrom automatisch an die Arbeitslast an, um eine optimale Leistung zu gewährleisten. Das Gerät startet immer mit den zuletzt verwendeten Einstellungen.

Weitere Informationen zum Aktivieren oder Deaktivieren der Funktion finden Sie unter *Funktionen des Bedienfelds auf Seite 38*.

### Luftstromwarnsystem

Der Luftstrom im Saugschlauch muss mehr als 20 m/s (66 ft/s) betragen.

Informationen zum minimalen Luftstrom mit dem ausgewählten Schlauchdurchmesser finden Sie in der Tabelle.

Luftstrom-Alarmstufen			
mm	Zoll	m³/h	CFM
21	5/8	25	15
27	1	41	24
32	1 1/4	58	34
38	1 1/2	82	48

Luftstrom-Alarmstufen			
42	1 5/8	100	59
51	2	147	87
63	2 1/2	224	132
76	3	327	192

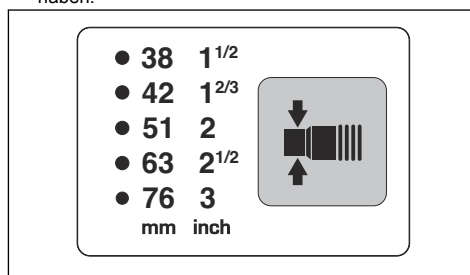
**Hinweis:** Wenn der Luftstrom weniger als 20 m/s (66 ft/s) beträgt, ertönt der akustische Alarm und das Warnsymbol leuchtet auf. Siehe *Warnungen auf dem Bedienfeld auf Seite 49*.

### Auswahl des Schlauchdüsendurchmessers

**Hinweis:** Wenn Sie einen falschen Schlauchdurchmesser auswählen, leuchtet das Luftstromwarnsystem auf.

Wenn Sie das Gerät starten, wird automatisch der zuletzt ausgewählte Schlauchdurchmesser ausgewählt.

- Drücken Sie die Taste, um den richtigen Schlauchdurchmesser auszuwählen. Die grüne LED zeigt an, welchen Durchmesser Sie ausgewählt haben.

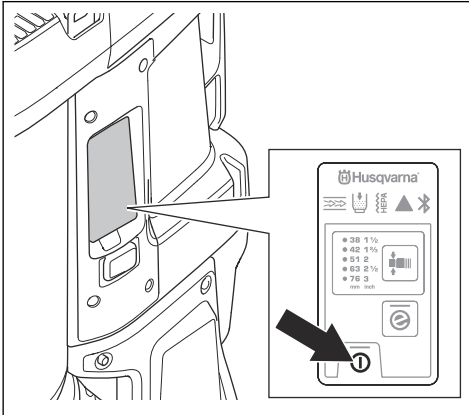


### So starten und stoppen Sie das Gerät

**Hinweis:** Warten Sie nach dem Starten des Geräts 5 Sekunden lang, damit es mit voller Saugleistung arbeitet. Die Absaugung ist direkt beim Start nicht auf voller Leistung.

- Stellen Sie sicher, dass die Frequenz und die Spannung auf dem Typenschild mit dem Netzteil übereinstimmen.
- Schließen Sie das Gerät an eine geeignete Netzsteckdose an.
- Drücken Sie „I“ auf dem Hauptschalter, um das Gerät zu aktivieren. Siehe *Geräteübersicht auf Seite 30*.

- Drücken Sie die On/Off-Taste, um den Betrieb zu starten und zu stoppen.



- Drücken Sie die On/Off-Taste, um den Betrieb zu beenden. Die Taste erlischt, wenn Sie den Betrieb beenden.
- Drücken Sie „0“ auf dem Hauptschalter, um das zu Gerät deaktivieren.
- Ziehen Sie den Netzstecker des Geräts aus der Steckdose.

## Betriebsstundenzähler

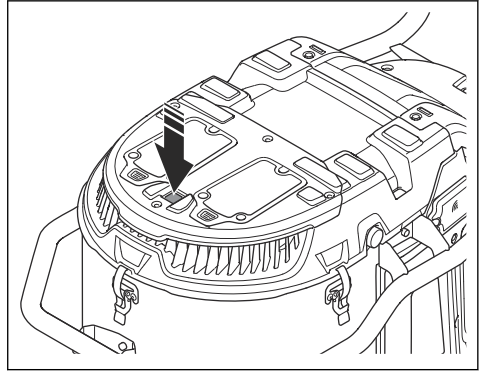
Der Betriebsstundenzähler zeigt an, wie viele Stunden der Motor in Betrieb war. Siehe *Geräteübersicht auf Seite 30* zur Position des Betriebsstundenzählers.

## Auto-Pulse-Funktion

Die Auto-Pulse-Funktion reinigt die Filter. Die Auto-Pulse-Funktion ist beim Starten des Geräts und während des Betriebs eingeschaltet. Die Auto-Pulse-Funktion ist außerdem 1 Zyklus lang nach dem Anhalten des Geräts eingeschaltet. Es wird empfohlen, das Gerät mit aktivierter Auto-Pulse-Funktion zu betreiben. Bei einigen Tätigkeiten muss die Auto-Pulse-Funktion angehalten werden. Siehe *So starten und stoppen Sie die Auto-Pulse-Funktion auf Seite 40*.

## So starten und stoppen Sie die Auto-Pulse-Funktion

- Drücken Sie die Auto-Pulse-Taste.



- Vergewissern Sie sich, dass die grüne LED-Anzeigelampe erlischt.

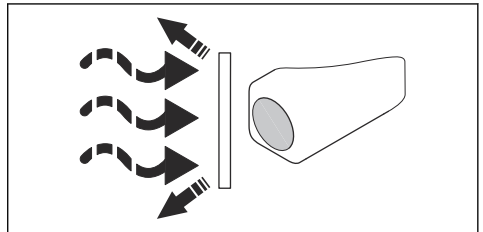
Drücken Sie die Auto-Pulse-Taste erneut, um die Auto-Pulse-Funktion zu starten. Vergewissern Sie sich, dass die grüne LED-Anzeigelampe aufleuchtet.

## So führen Sie das Filterspülverfahren durch

In den folgenden Situationen muss das Filterspülverfahren durchgeführt werden:

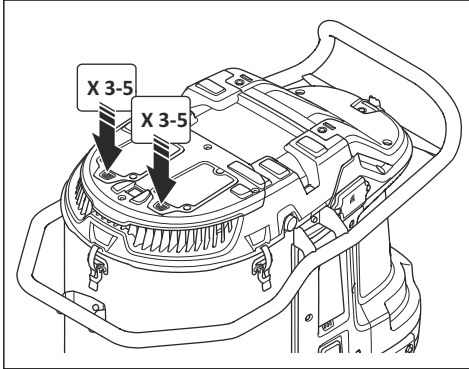
- Vor einem Arbeitsstopp oder am Ende jedes Arbeitstages.
- Wenn die Saugleistung nicht ausreicht.
- Vor der Installation eines neuen Longopac-Beutels.
- Wenn der Alarm „Vorfilter verstopft“ startet. Beachten Sie die Anweisungen auf dem Aufkleber auf dem Vorfiltergehäuse.

- Halten Sie das Gerät an und unterbrechen Sie kurz Ihre Arbeit, damit sich die Staubpartikel im Longopac-Beutel absetzen können.
- Das Gerät starten. Siehe *So starten und stoppen Sie das Gerät auf Seite 39*.
- Schließen Sie den Lufteinlass mit der Lufteinlassschraube oder dem Einlassventil, um einen Unterdruck zu erzeugen.





- Warten Sie 5 Sekunden, bis ein Unterdruck erzeugt wurde.
- Drücken Sie gleichzeitig die 2 Filterspültasten.



- Führen Sie die Schritte 5 bis 6 fünf Mal aus.



**ACHTUNG:** Es ist wichtig, dass das Gerät zwischen jedem Tastendruck Unterdruck erzeugt.

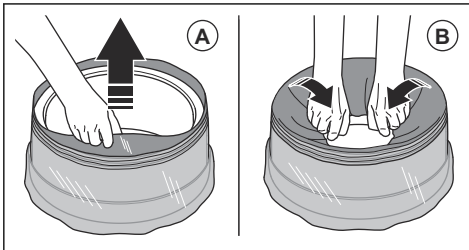
Wenn die Saugleistung nach diesem Verfahren nicht ausreicht, muss der Vorfilter mit Wasser gereinigt werden. Siehe *Reinigen des Vorfilters mit Wasser auf Seite 45*.

## Installieren einer neuen Longopac-Beutel-Kassette

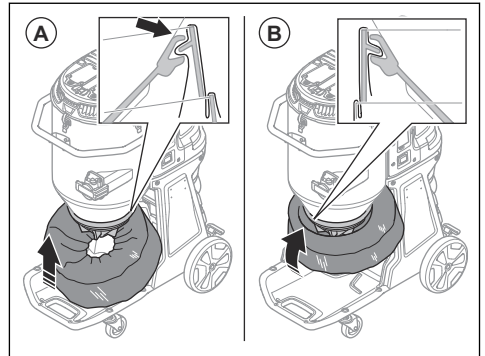


**ACHTUNG:** Reinigen Sie den Vorfilter, bevor Sie eine neue Longopac-Kassette einbauen. Siehe *So führen Sie das Filterspülverfahren durch auf Seite 40*.

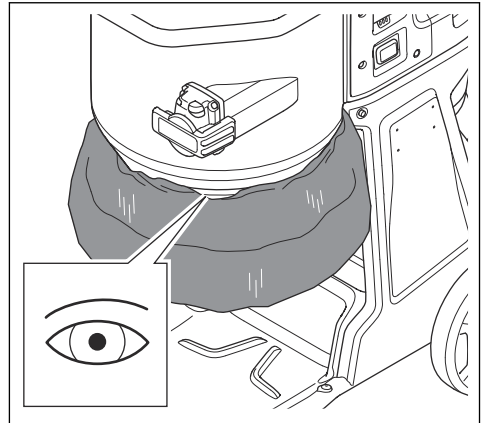
- Setzen Sie die Longopac-Kassette um die Innenkante des Longopac-Halters ein.
- Entfernen Sie die 4 Gurte, nachdem Sie Longopac im Halter platziert haben.
- Ziehen Sie die innere Schicht der Longopac-Kassette nach oben (A) und falten Sie sie in die Halterung (B).



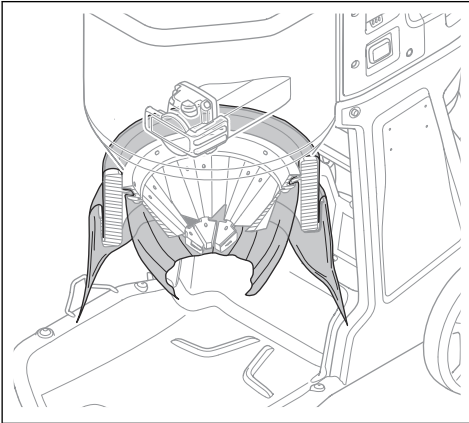
- Befestigen Sie den Longopac-Halter am hinteren Teil des Behälters (A). Befestigen Sie dann den Longopac-Halter an den Seiten und an der Vorderseite des Behälters (B). Drücken Sie den Longopac-Halter nach oben, bis ein Klicken zu hören ist.



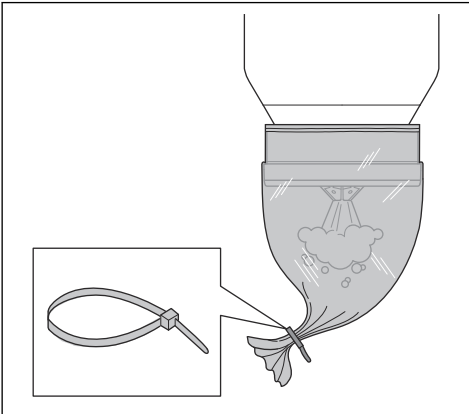
- Stellen Sie sicher, dass Longopac dicht ist.



6. Ziehen Sie die äußere Schicht der Longopac-Kassette nach unten.



7. Verschließen Sie das untere Ende des Longopac mit einem Kabelbinder.

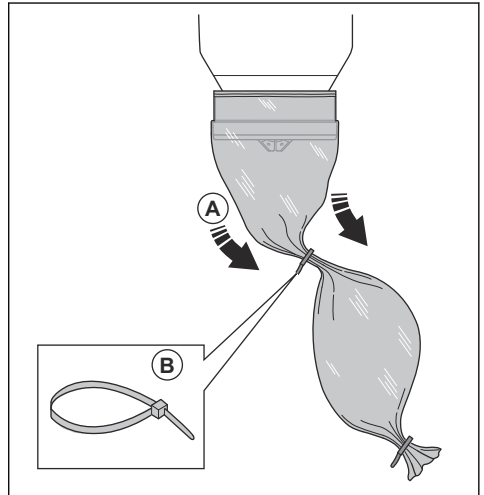


## Entsorgen eines vollen Longopac-Beutels und Vorbereiten eines neuen Longopac-Beutels

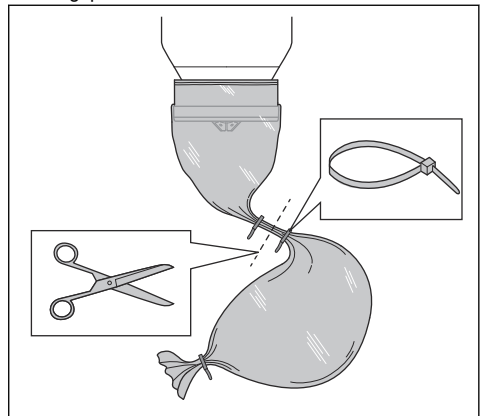


**WARNUNG:** Heben Sie den Longopac-Beutel vorsichtig an, ein voller Longopac-Beutel kann schwer sein. Stellen Sie sicher, dass die Kabelbinder ordnungsgemäß geschlossen sind, bevor Sie den Longopac-Beutel anheben.

1. Ziehen Sie den Longopac-Beutel (A) heraus und bringen Sie einen Kabelbinder (B) an, um den neuen Longopac-Beutel zu schließen.



2. Schütteln Sie den Staub im vollen Longopac-Beutel nach unten.  
3. Befestigen Sie einen Kabelbinder 10 cm (3,9 Zoll) unter dem ersten Kabelbinder, um den vollen Longopac-Beutel zu schließen. Schneiden Sie den vollen Longopac-Beutel zwischen den Kabelbindern ab.



4. Wenn der verbleibende Teil der Longopac-Beutel-Kassette zu klein ist, um einen neuen Longopac-Beutel vorzubereiten, installieren Sie eine neue Longopac-Beutel-Kassette. Siehe *Installieren einer neuen Longopac-Beutel-Kassette auf Seite 41*.  
5. Beachten Sie die örtlichen Vorschriften zur Entsorgung des vollen Longopac-Beutels.

## Nach Abschluss der Arbeiten

1. Wenn Sie die Auto-Pulse-Funktion während des Arbeitstages gestoppt haben, reinigen Sie die Filter manuell. Siehe *So führen Sie das Filterspülverfahren durch auf Seite 40*.
2. Halten Sie das Gerät an, siehe *So starten und stoppen Sie das Gerät auf Seite 39*.
3. Entsorgen Sie den Longopac-Beutel. Siehe *Entsorgen eines vollen Longopac-Beutels und Vorbereiten eines neuen Longopac-Beutels auf Seite 42*.
4. Das Gerät reinigen. Siehe *So reinigen Sie das Gerät auf Seite 44*.
5. Bereiten Sie das Gerät für den Transport vor. Siehe *So bewegen Sie das Gerät auf Seite 50*.

## Wartung

### Einleitung



**WARNUNG:** Bei der Fehlersuche, Wartung und Instandhaltung treten produktbezogene Unfälle auf, da sich der Bediener im Risikobereich des Geräts befinden muss. Der Bediener muss vorsichtig sein, einen Plan aufstellen und die Arbeiten vorbereiten, um Unfälle zu vermeiden.



**WARNUNG:** Bevor Sie Wartungsarbeiten vornehmen, stellen Sie sicher, dass der Motorschalter und der Pumpschalter sich in der Aus-Stellung befinden. Trennen Sie das Stromkabel, und entfernen Sie das Pumpenkabel.



**WARNUNG:** Lassen Sie alle Prüfungen der elektrischen Komponenten nur von einem zugelassenen Elektriker durchführen.



**WARNUNG:** Stellen Sie sicher, dass Sie kein Loch in das Schmutzsieb machen. Gefahr von Staubverteilung.



**WARNUNG:** Stellen Sie sicher, dass Sie vor und während der Wartung alle örtlichen Vorschriften einhalten, um gefährlichen Staub ordnungsgemäß zu entsorgen.



**WARNUNG:** Der Hersteller oder eine eingewiesene Person muss mindestens einmal jährlich eine technische Inspektion durchführen. Die technische Inspektion umfasst die Inspektion der Filter auf Schäden, die Luftdichtheit des Geräts und die ordnungsgemäße Funktion des Steuermechanismus. Darüber hinaus muss die Filtrationseffizienz des Geräts mindestens einmal jährlich oder ggf. häufiger, je nach nationalen Vorschriften, geprüft werden. Wird der Test nicht durchgeführt, muss der HEPA-Filter durch einen neuen Filter ersetzt werden.

### Wartungsplan

Die Wartungsintervalle werden anhand der täglichen Nutzung des Geräts berechnet. Die Intervalle ändern sich, wenn das Gerät nicht täglich verwendet wird.

Wartung	Vor jedem Gebrauch	Täglich	Wöchentlich	Wenn die Saugleistung niedrig ist	Alle 6 Monate oder 600 h	Alle 12 Monate oder 2000 h
Führen Sie das Filterspülverfahren durch. Siehe <i>So führen Sie das Filterspülverfahren durch auf Seite 40</i> .	X					
Prüfen Sie den Gummikegel zur Staubabsaugung auf Anzeichen von Verschleiß oder Beschädigung.	X					
Überprüfen Sie den Netzstecker und das Netzkabel.	X					

Wartung	Vor jedem Gebrauch	Täglich	Wöchentlich	Wenn die Saugleistung niedrig ist	Alle 6 Monate oder 600 h	Alle 12 Monate oder 2000 h
Achten Sie auf Anzeichen von Verschleiß, Beschädigung oder lockeren Anschlüssen der Bedienelemente, bevor Sie das Gerät anschließen.	X					
Überprüfen Sie den Schlauch und die Schlauchverbinder.	X					
Achten Sie auf Anzeichen von Verschleiß oder Beschädigung der Kunststoffteile.	X					
Überprüfen Sie die Hubösen.	X					
Achten Sie darauf, dass Longopac korrekt und richtig angebracht ist. Siehe <i>Installieren einer neuen Longopac-Beutel-Kassette auf Seite 41</i> .		X				
Kontrollieren Sie die Filterspülfunktion.		X				
Überprüfen Sie die Räder. Kontrollieren Sie das Gerät auf Beschädigungen und fehlerhafte Anschlüsse.			X			
Prüfen Sie die Filterdichtungen.			X			
Führen Sie das Filterspülverfahren durch. Reinigen Sie den Vorfilter mit Wasser, wenn die Saugleistung weiterhin nicht ausreicht. Siehe <i>Reinigen des Vorfilters mit Wasser auf Seite 45</i> .				X		
Tauschen Sie den gereinigten Vorfilter aus, wenn die Saugleistung weiterhin nicht ausreicht. Siehe <i>Austausch des Vorfilters auf Seite 46</i> .				X		X
Tauschen Sie den HEPA-Filter aus.				X	X	
Tauschen Sie den Gummikegel zur Staubabsaugung aus.						X
Tauschen Sie die Gummiteile für die Filterreinigung aus.						X

## Prüfen der Funktionen des Bedienfelds

1. Starten Sie das Gerät. Siehe *So starten und stoppen Sie das Gerät auf Seite 39*.
2. Drücken und halten Sie die On/Off-Taste. Siehe *Funktionen des Bedienfelds auf Seite 38*.
3. Stellen Sie sicher, dass das Gerät anhält und die grüne LED erlischt.

## So reinigen Sie das Gerät

Betrieb kann zu Verunreinigungen an allen Teilen des Geräts und allen verwendeten Maschinen führen. Daher

müssen alle Teile des Geräts und alle verwendeten Maschinen sorgfältig und vollständig gereinigt werden.



**WARNUNG:** Trennen Sie das Gerät von der Stromversorgung.



**WARNUNG:** Reinigen Sie das Gerät, bevor es aus dem Arbeitsbereich bewegt wird. Staub, der sich auf dem Gerät befindet, kann in die Luft gelangen und eine Gesundheitsgefahr darstellen.

- Tragen Sie eine persönliche Schutzausrüstung. Siehe *Persönliche Schutzausrüstung auf Seite 35*.
- Reinigen Sie das Gerät nicht mit einem Hochdruckreiniger oder Druckluft.
- Reinigen Sie die äußere Oberfläche mit einem feuchten Tuch.
- Verwenden Sie für die elektrischen Komponenten kein Wasser.
- Reinigen Sie die Schmutzsiebe wie in *Reinigen des Vorfilters mit Wasser auf Seite 45* und *Austausch des HEPA-Filters auf Seite 46* angegeben.
- Entsorgen Sie die entsorgten Teile nach der Wartung in Plastiktüten. Die korrekte Vorgehensweise ist den örtlichen Vorschriften zu entnehmen.
- Wenn Sie das Gerät mit Wasser reinigen, entfernen Sie den Vorfilter und den Longopac vor der Reinigung. Stellen Sie außerdem sicher, dass kein Wasser in das HEPA-Schmutzsieb gelangt.

## Reinigen des Vorfilters mit Wasser



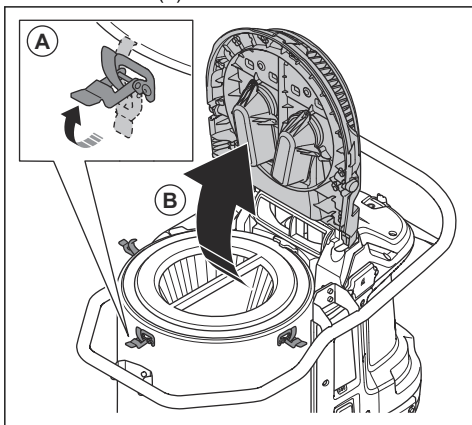
**ACHTUNG:** Reinigen Sie den Vorfilter nicht mit einem Hochdruckreiniger oder Druckluft. Reinigen Sie den Vorfilter nicht mit Gewalt.



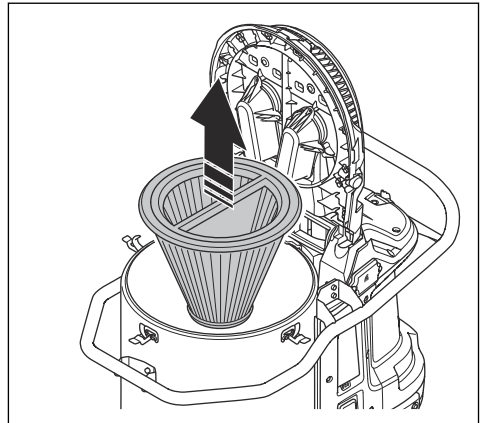
**ACHTUNG:** Lassen Sie ihn nicht bei voller Sonneneinstrahlung trocknen. Die Dichtungen würden austrocknen.

**Hinweis:** Die Reinigung mit Wasser verringert allmählich die Effizienz des Schmutzsiebs.

1. Lösen Sie die Klemmen (A), und öffnen Sie den Vorfilterdeckel (B).



2. Entfernen Sie den Vorfilter.



3. Reinigen Sie den Vorfilter mit fließendem Wasser von der Innenfläche des Vorfilters aus.



**ACHTUNG:** Der Wasserdruck darf nicht höher als 4 bar sein.



**ACHTUNG:** Lassen Sie keine Objekte auf die Filteroberfläche aufschlagen und ziehen sie keine Gegenstände darüber. Dadurch wird der Filter beschädigt.

4. Lassen Sie den Vorfilter vollständig trocknen.



**ACHTUNG:** Der Vorfilter muss zu 100 % trocken sein, bevor Sie ihn wieder in das Gehäuse einsetzen.

5. Montieren Sie den Vorfilter, schließen Sie den Vorfilterdeckel und ziehen Sie die Klemmen fest.

Wenn der Vorfilter nicht vollständig gereinigt werden kann oder beschädigt ist, muss er ausgetauscht werden. Siehe *Austausch des Vorfilters auf Seite 46*.

## Austausch des Filters



**WARNUNG:** Tragen Sie eine persönliche Schutzausrüstung. Siehe *Persönliche Schutzausrüstung auf Seite 35*. Beim Austausch des Schmutzsiebs kann gefährlicher Staub in die Luft gelangen.



**WARNUNG:** Stoppen Sie das Gerät, und trennen Sie es von der Stromversorgung, bevor Sie das Schmutzsieb austauschen.

## Austausch des Vorfilters

1. Entfernen Sie den Vorfilter. Siehe *Reinigen des Vorfilters mit Wasser auf Seite 45*.
2. Stecken Sie den Vorfilter vorsichtig in einen Plastikbeutel.
3. Entsorgen Sie den Plastikbeutel ordnungsgemäß. Beachten Sie die lokalen Vorschriften.
4. Installieren Sie den neuen Vorfilter.

Wenn die Saugleistung beim Einbau eines neuen Vorfilters nicht ausreicht, muss der HEPA-Filter ausgetauscht werden. Siehe *Austausch des HEPA-Filters auf Seite 46*.

## Austausch des HEPA-Filters

Der HEPA-Filter kann nicht gereinigt werden. Er muss immer durch einen neuen HEPA-Filter ersetzt werden. Verwenden Sie nur HusqvarnaHEPA-Filter.



**WARNUNG:** Nur ein zugelassenes Service-Center oder eine autorisierte Behörde darf den HEPA-Filter austauschen.



**WARNUNG:** Tragen Sie immer persönliche Schutzausrüstung, siehe *Persönliche Schutzausrüstung auf Seite 35*.



**WARNUNG:** Die Partikel im HEPA-Filter gefährden Ihre Gesundheit.



**WARNUNG:** Stellen Sie sicher, dass sich keine Löcher im HEPA-Filter befinden. Ein beschädigter HEPA-Filter stellt ein Gesundheitsrisiko dar.

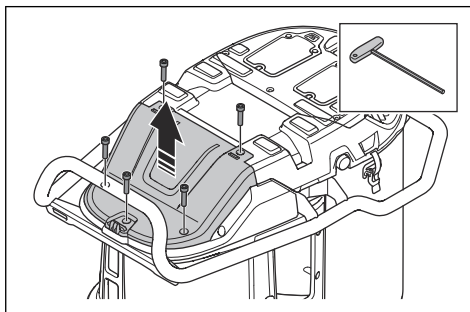


**WARNUNG:** Montieren Sie keinen gebrauchten HEPA-Filter. Wenn Sie einen gebrauchten HEPA-Filter montieren, können Leckagen und verminderte Filtrationseffizienz auftreten.

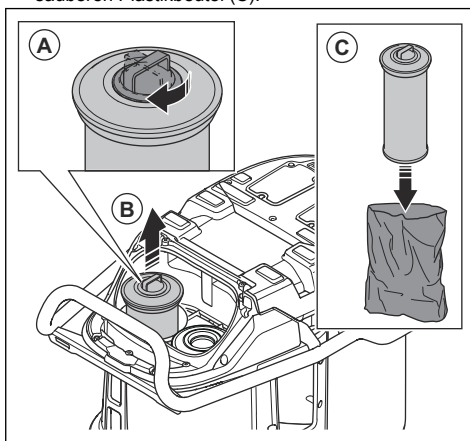


**ACHTUNG:** Berühren Sie nicht die Innenfläche des HEPA-Filters. Dies kann zu Schäden am HEPA-Filter führen.

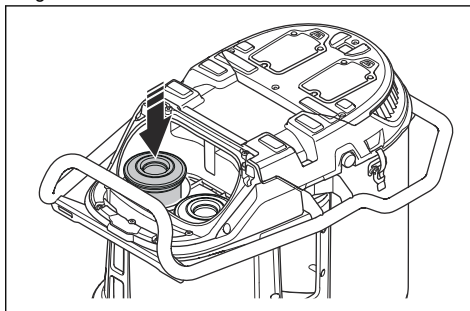
1. Entfernen Sie die 6 Schrauben und den HEPA-Filterdeckel.



2. Bringen Sie die Staubkappe (A) an, und ziehen Sie den HEPA-Filter heraus. Legen Sie ihn in einen sauberen Plastikbeutel (C).



3. Entsorgen Sie den Plastikbeutel ordnungsgemäß. Beachten Sie die lokalen Vorschriften.
4. Bauen Sie einen neuen HEPA-Filter ein. Stellen Sie sicher, dass der HEPA-Filter nicht in die Endposition gedrückt wird.



5. Wiederholen Sie die Schritte 2-4 für den anderen HEPA-Filter.

6. Bringen Sie den HEPA-Filterdeckel und die 6 Schrauben an.

## Fehlerbehebung

### Fehlerbehebung

Problem	Ursache	Lösung
Der Motor stoppt sofort nach dem Start oder startet nicht.	Keine Stromversorgung.	Schließen Sie das Gerät an das Netzteil an.
	Das Netzkabel ist defekt.	Die Reparatur von einer autorisierten Servicewerkstatt durchführen lassen.
	Im Gerät liegt ein Kurzschluss vor.	Die Reparatur von einer autorisierten Servicewerkstatt durchführen lassen.
	Der HEPA-Filter ist beschädigt oder nicht installiert (!).	Tauschen Sie den HEPA-Filter aus oder installieren Sie ihn.
	Zu hohe Spannung im Netzteil.	Stellen Sie sicher, dass das richtige Netzteil verwendet wird.
	Zu hohe Außentemperatur.	Stellen Sie sicher, dass die Umgebungstemperatur im festgelegten Bereich liegt, wenn Sie mit dem Gerät arbeiten.
	Das Lüfter ist defekt oder nicht angeschlossen.	Die Reparatur von einer autorisierten Servicewerkstatt durchführen lassen.
Der Motor ist eingeschaltet, aber es ist keine Saugleistung vorhanden.	Der Staubabsaugschlauch ist nicht korrekt angeschlossen.	Schließen Sie den Staubabsaugschlauch an.
	Der Staubabsaugschlauch ist verstopft.	Reinigen Sie den Staubabsaugschlauch.
	Es ist kein Longopac-Beutel vorhanden.	Installieren Sie eine Longopac-Kassette.
	Der Longopac ist nicht mit einem Kabelbinder verschlossen.	Befestigen Sie einen Kabelbinder.
Die Saugleistung ist nicht ausreichend.	Zu niedrige Spannung im Netzteil.	Stellen Sie sicher, dass das richtige Netzteil verwendet wird.
	Im Staubabsaugschlauch befindet sich ein Loch.	Tauschen Sie den Staubabsaugschlauch aus.
	Der Vorfilter ist verstopft.	Entfernen Sie Staubpartikel aus dem Vorfilter. Reinigen Sie ihn oder tauschen Sie ihn gegebenenfalls aus.
	Der HEPA-Filter ist verstopft.	Tauschen Sie den HEPA-Filter aus. Siehe <i>Austausch des HEPA-Filters auf Seite 46</i> .
	Die obere Abdeckung ist locker.	Schließen Sie die obere Abdeckung vollständig.
	Die Dichtungen sind defekt.	Tauschen Sie die Dichtung aus.
Staub gelangt vom Motor in die Luft.	Die Filter sind falsch eingebaut oder beschädigt.	Installieren Sie die Filter korrekt. Ersetzen Sie beschädigte Filter.

Problem	Ursache	Lösung
Das Gerät macht ungewöhnliche Geräusche.	N/A	Die Reparatur von einer autorisierten Servicewerkstatt durchführen lassen.

## Fehlercodes

Fehlercode	Fehler	Beschreibung	Vermutliche Ursache(n)	Aktion(en)
2	HEPA-Filter fehlt.	Das Gerät schaltet sich aus/ startet nicht.  + Warnleuchte auf der Mensch-Maschine-Schnittstelle (Human Machine Interface, HMI).  + HEPA-Symbol auf der Mensch-Maschine-Schnittstelle (Human Machine Interface, HMI).	HEPA-Filter fehlt oder ist beschädigt.	Montieren Sie den HEPA-Filter oder tauschen Sie ihn aus.
3	Niedrige Versorgungsspannung.	Geringe Leistung (geringer Luftstrom/Unterdruck).	Zu niedrige Spannung im Netz/ Netzteil.	Stellen Sie sicher, dass das richtige Netz/Netzteil verwendet wird.
4	Hohe Versorgungsspannung.	Das Gerät schaltet sich aus/ startet nicht.  + Warndiodenleuchte auf Mensch-Maschine-Schnittstelle (Human Machine Interface, HMI).	Zu hohe Spannung im Netz/ Netzteil.	Stellen Sie sicher, dass das richtige Netz/Netzteil verwendet wird.
			Falscher Akku verwendet.	Verwenden Sie einen korrekten Akku.
5	Hauptdrucksensorfehler.	Die Kontrollleuchte des Vorfilters blinkt rot.	Unterdruckschlauch ist nicht angeschlossen oder verstopft.	Bitte eine autorisierte Servicewerkstatt kontaktieren.
			Die Steuerung ist beschädigt.	
6	Die Temperatur der Leiterplatte-Baugruppe ist zu hoch.	Das Gerät schaltet sich aus/ startet nicht.  + Warndiodenleuchte auf Mensch-Maschine-Schnittstelle (Human Machine Interface, HMI).	Zu hohe Außentemperatur.	Verwenden Sie das Gerät nicht außerhalb des angegebenen Temperaturbereichs.
7	Fehlfunktion des Lüfters.	Das Gerät schaltet sich aus/ startet nicht.  + Warndiodenleuchte auf Mensch-Maschine-Schnittstelle (Human Machine Interface, HMI).	Der Lüfter ist beschädigt oder nicht angeschlossen.	Bitte eine autorisierte Servicewerkstatt kontaktieren.
			Die Steuerung ist beschädigt.	



Fehlercode	Fehler	Beschreibung	Vermutliche Ursache(n)	Aktion(en)
9	Ein-Kabel-Kommunikation nicht erkannt.	Das Gerät schaltet sich aus/ startet nicht.  + Warndiodenleuchte auf Mensch-Maschine-Schnittstelle (Human Machine Interface, HMI).	Kabel getrennt oder beschädigt.	Bitte eine autorisierte Servicewerkstatt kontaktieren.

## Warnungen auf dem Bedienfeld



**ACHTUNG:** Betreiben Sie das Gerät nicht, wenn die rote Leuchte aufleuchtet. Wenn der Fehler durch die Ausgangslösung nicht behoben werden kann, wenden Sie

sich an eine autorisierte Servicewerkstatt, bevor Sie das Gerät wieder in Betrieb nehmen.

Symbol	Signal	Ursache	Lösung
	Der Summer ertönt, und die rote Leuchte leuchtet auf.	Der Vorfilter ist verstopft.	Führen Sie das Filterspülverfahren durch. Siehe <i>So führen Sie das Filterspülverfahren durch</i> auf Seite 40.
		Der falsche Schlauch ist angeschlossen oder im Bedienfeld ausgewählt.	Bringen Sie den richtigen Schlauch an oder wählen Sie die richtige Schlauchabmessung im Bedienfeld aus.
		Der Schlauch ist beschädigt oder zusammengedrückt.	Tauschen Sie den Schlauch aus.
		Der Schlauch ist verstopft.	Reinigen Sie den Schlauch und entfernen Sie die Verstopfung.
	Die rote Leuchte blinkt.	Der Hauptvakuumschlauch ist getrennt.	Die Reparatur von einer autorisierten Servicewerkstatt durchführen lassen.
	Das rote Licht blinkt und das Warndreieck leuchtet auf.	Die HEPA-Filter fehlen, sind voll oder beschädigt.	Überprüfen Sie die HEPA-Filter und tauschen Sie die HEPA-Filter bei Bedarf aus. Siehe <i>Austausch des HEPA-Filters</i> auf Seite 46.
	Die rote Leuchte leuchtet auf.	Die Steuereinheit ist beschädigt.	Die Reparatur von einer autorisierten Servicewerkstatt durchführen lassen.
		Die Umgebungstemperatur ist zu hoch.	Stellen Sie sicher, dass die Umgebungstemperatur im festgelegten Bereich liegt, wenn Sie mit dem Gerät arbeiten.
		Warnung.	Sehen Sie sich die Betriebsaufzeichnungen Ihrer Husqvarna Fleet Services™ App an oder sprechen Sie mit einer autorisierten Servicewerkstatt.
	Die gelbe Leuchte leuchtet auf.	Die HEPA-Filter sind fast voll.	Tauschen Sie die HEPA-Filter bei Bedarf aus. Siehe <i>Austausch des HEPA-Filters</i> auf Seite 46.
	Die rote Leuchte leuchtet auf.	Die HEPA-Filter sind voll.	Tauschen Sie die HEPA-Filter aus. Siehe <i>Austausch des HEPA-Filters</i> auf Seite 46.

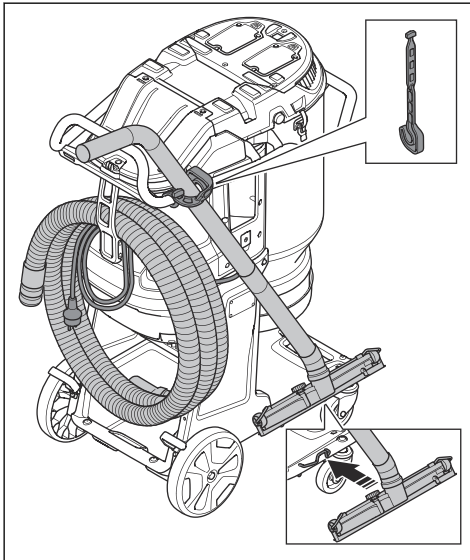
# Transport, Lagerung und Entsorgung

## So bewegen Sie das Gerät

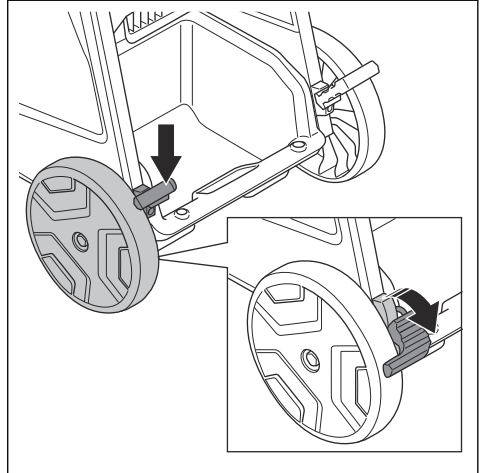
Transportieren Sie das Gerät in einem geschlossenen Fahrzeug.

Stellen Sie sicher, dass das Einlassventil geschlossen ist. Stellen Sie sicher, dass sich die Staubkappen auf den Schläuchen befinden.

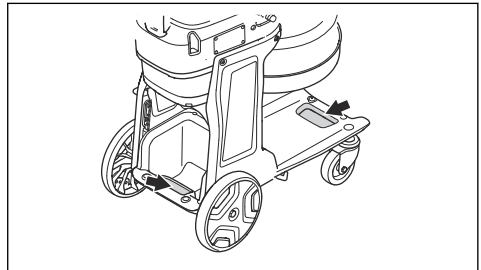
1. Stellen Sie sicher, dass der Longopac am Gerät montiert ist.
2. Stellen Sie sicher, dass der Longopac-Beutel leer ist.
3. Befestigen Sie das Netzkabel, den Staubabsaugschlauch und das Griffrohr fest am Gerät.



4. Verriegeln Sie die Transporträder.



5. Heben Sie das Gerät an, siehe *So heben Sie das Gerät an auf Seite 50*.
6. Befestigen Sie das Gerät sicher am Transportfahrzeug, um Schäden und Unfälle zu vermeiden. Verwenden Sie die Verzurpunkte.



## So heben Sie das Gerät an



**WARNUNG:** Stellen Sie sicher, dass die Hebevorrichtung und die Hebegurte den korrekten Spezifikationen entsprechen, um das Gerät sicher anheben zu können. Auf dem Typenschild des Geräts ist das Gerätegewicht angegeben, siehe *Typenschild auf Seite 31*.

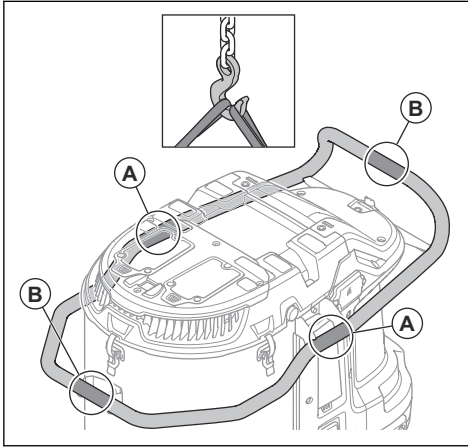


**WARNUNG:** Holen Sie sich Hilfe, wenn Sie sich nicht sicher sind, wie Sie schwere Geräte anheben sollen.



**WARNUNG:** Heben Sie das Gerät nicht an, wenn sich Staub im Tank oder im -Beutel befindet. Heben Sie das Gerät nicht mit zusätzlichem Gewicht im oder am Gerät an.

1. Führen Sie das Filterspülverfahren durch, bevor Sie das Gerät anheben. Siehe *So führen Sie das Filterspülverfahren durch auf Seite 40.*
2. Befestigen Sie die Hubvorrichtung mit den Hebegurten an den Aufnahmepunkten (A) oder an den Aufnahmepunkten (B).



**WARNUNG:** Verwenden Sie keine Metallhaken, Ketten oder sonstige Hebevorrichtungen mit scharfen Kanten, die die Hebeöse beschädigen können. Nur weiche Hebegurte sind zulässig.

## Lagerung des Geräts



**ACHTUNG:** Lagern Sie das Gerät im Innenbereich geschützt vor Außenelementen.

- Lagern sie das Gerät bei einer Umgebungstemperatur zwischen  $-10\text{ °C}$  ( $14\text{ °F}$ ) und  $40\text{ °C}$  ( $104\text{ °F}$ ).
- Führen Sie das Filterspülverfahren vor der Lagerung durch und entsorgen Sie den Longopac mit dem gesammelten Material.
- Trennen Sie das Gerät von der Stromversorgung.
- Bewahren Sie das Gerät in einem trockenen und frostfreien Raum auf.
- Bewahren Sie das Gerät in einem verschlossenen Bereich auf. Erlauben Sie niemals Kindern oder nicht autorisierten Personen, sich dem Gerät zu nähern.

## So entsorgen Sie das Gerät

- Befolgen Sie die örtlichen Recyclinganforderungen und geltenden Vorschriften.
- Wenn Sie das Gerät nicht mehr benutzen, senden Sie es an einen Husqvarna-Händler oder entsorgen Sie es bei einer Recyclingstelle.

# Technische Daten

## Technische Daten

Daten	DE 130 H [UK]	DE 130 H [EU/ROW]	DE 130 H [AU]	DE 130 H [BR]	DE 130 H [JP]
Nennspannung, V	110	220-240			100
Phase	1				
Frequenz, Hz	50-60				
Maximale Leistung, W	2400	3000			1500
Maximaler Strom, A	20	13			15
Maximaler Luftstrom Turbine, m <sup>3</sup> /h/cfm	470/277	490/288			380/224
Maximaler Luftstrom Absauger, m <sup>3</sup> /h/cfm	410/241	415/244			320/188
Maximales Vakuum Turbine, mbar/psi	245/3,6	275/4,0			170/2,5
Länge des Staubabsaugschlauchs, m	10				
Durchmesser des Staubsaugerschlauchs, mm	63				
Vorfilter-Bereich, m <sup>2</sup>	2.4				
Filtereffizienz HEPA	HEPA 13				
Gesamte HEPA-Fläche, m <sup>2</sup>	2.4				
Staubauffangsystem, Art	Longopac				
Filter-Reinigungsmechanismus	Auto-Pulse				
Gewicht, kg	47				
Schalleistungspegel, L <sub>WA</sub> gemessen, dB(A) <sup>4</sup>	94,8				
Schalldruckpegel L <sub>PA</sub> am Ohr des Bedieners, dB(A) <sup>5</sup>	78,5				
Vibrationspegel a <sub>h</sub> , m/s <sup>26</sup>	≤2,5				
Schutzart	IP55				
Netzanschluss (Typ)	2P+G 4H 32A	Schuko CEE 7/7	AU/NZS 3112	NBR 14136	JIS 8303 YP 12P

<sup>4</sup> Umweltbelastende Geräuschemission gemessen als Schalleistung (LWA) gemäß IEC/EN 60335-2-69. Unsicherheit KWA 2dB.

<sup>5</sup> Schalldruckpegel gemäß IEC/EN 60335-2-69. Unsicherheit KPA 2 dB

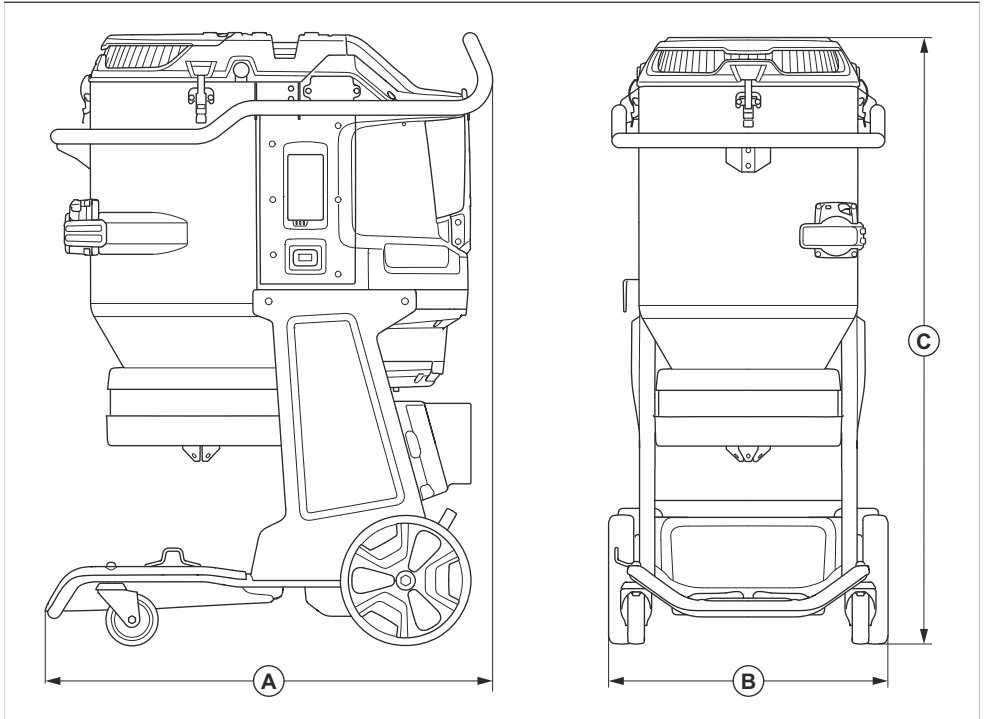
<sup>6</sup> Vibrationspegel gemäß IEC/EN 60335-2-69. Berichten zufolge liegt der Vibrationspegel normalerweise bei einer Ausbreitungsklasse (Standardabweichung) von 1 m/s<sup>2</sup>.

## Integrierte Konnektivität

**Hinweis:** Dieser Abschnitt gilt nur für Geräte mit integrierter Konnektivität.

BLE-Technologie-Frequenzband	
Frequenzbänder für das Werkzeug, GHz	2,402-2,480
Maximale Funkfrequenz-Leistung, dBm/mW	4/2,5

## Gerätemaße



<b>A</b>	Länge, mm/Zoll	855
<b>B</b>	Breite, mm/Zoll	542/21
<b>D</b>	Höhe, mm/Zoll	1175/46

---

# Konformitätserklärung

---

## EU-Konformitätserklärung

Die **Husqvarna AB**, SE-561 82 Huskvarna, Schweden,  
Tel.: +46-36-146500, erklärt in alleiniger Verantwortung,  
dass das Gerät:

<b>Beschreibung</b>	Staubabsauger
<b>Marke</b>	HUSQVARNA
<b>Typ/Modell</b>	DE 130 H
<b>Identifizierung</b>	Seriennummern ab 2023

die folgenden EU-Richtlinien und -Verordnungen erfüllt:

<b>Richtlinie/Verordnung</b>	<b>Beschreibung</b>
2006/42/EC	„Maschinenrichtlinie“
2014/53/EU	„zu Funkanlagen“
2011/65/EU	„zur Beschränkung der Verwendung bestimmter gefährlicher Stoffe“

und dass die folgenden Normen und/oder technischen  
Daten angewendet werden;

EN ISO 12100:2010

EN 60335-1:2012+AC:2014+A11:2014+A13:2017

EN 60335-2-69:2012

EN 61000-3-2:2014

EN 61000-3-3:2013

ETSI EN 300 328 V2.1.1

ETSI EN 301 489-1 V2.2.3

ETSI EN 301 489-17 V3.2.0

Partille, 2023-06-07



Martin Huber

R&D Director, Concrete Surfaces & Floors

Husqvarna AB, Construction Division

Verantwortlich für die technische Dokumentation

---

## Eingetragene Marken

---

Die *Bluetooth*<sup>®</sup>-Wortmarke und die Logos sind eingetragene Marken von *Bluetooth SIG, inc.* und die Verwendung dieser Marken durch Husqvarna erfolgt unter Lizenz.

---

## Sommaire

---

Introduction.....	56	Transport, entreposage et mise au rebut.....	76
Sécurité.....	59	Caractéristiques techniques.....	79
Utilisation.....	63	Déclaration de conformité.....	82
Entretien.....	69	Marques déposées.....	83
Dépannage.....	74		

---

## Introduction

---

### Description du produit

Le produit est un extracteur de poussière monophasé. L'air chargé de poussière passe par le tuyau d'aspiration jusqu'à la soupape d'admission. Le produit sépare les particules de poussière de l'air. Les particules tombent dans le sac en plastique situé à la base du produit.

### Utilisation prévue

---



**AVERTISSEMENT:** ne recueillez pas de sources d'inflammation, de particules

chaudes, de liquides, de matériaux explosifs et de particules instables ou pyrophoriques.

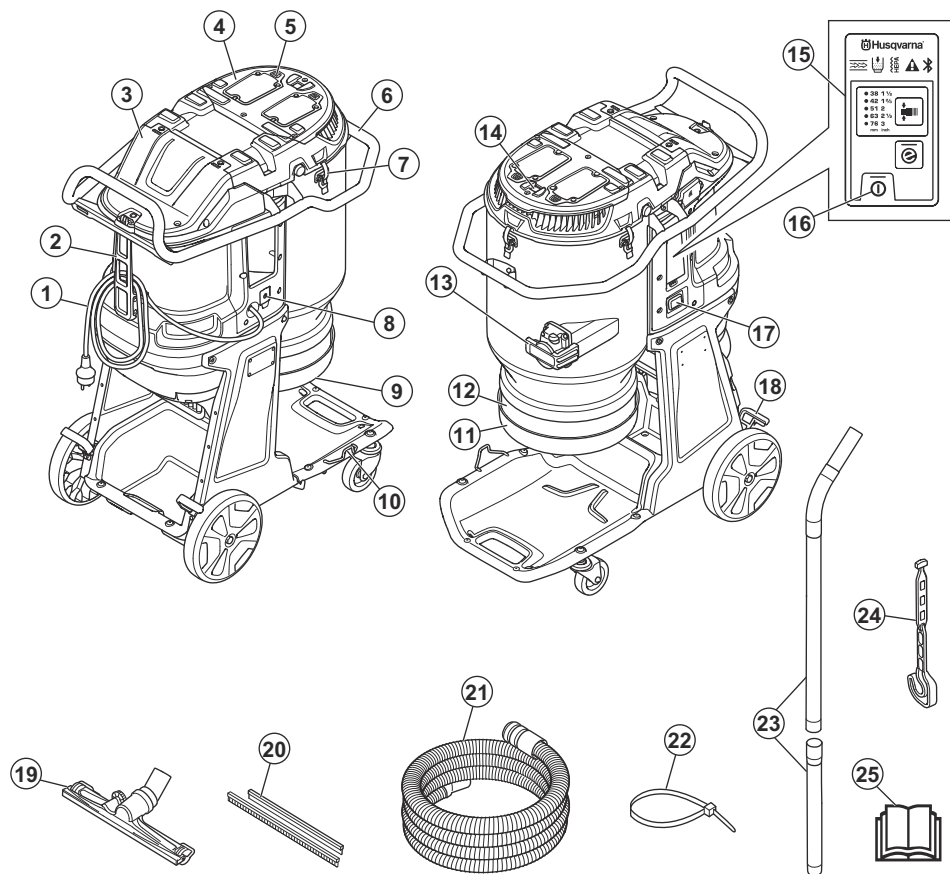
---

Ce produit est à usage professionnel uniquement. Ce produit est utilisé pour recueillir et éliminer les matériaux secs des machines et des dispositifs. Le matériau peut être dangereux pour la santé. Reportez-vous à la classe de poussière H de la norme EN 60335-2-69.

N'utilisez pas ce produit pour d'autres travaux. Utilisez uniquement le produit avec des accessoires approuvés par le fabricant.



## Aperçu du produit



1. Câble
2. Fixation pour câble et tuyau d'extraction de poussière
3. Couvercle du filtre HEPA
4. Couvercle du préfiltre
5. Bouton de purge du filtre
6. Poignée
7. Fixation à bascule pour le tuyau de poignée
8. Interrupteur principal
9. Cône d'évacuation de la poussière en caoutchouc
10. Support de brosse pour le sol
11. Support pour Longopac
12. Longopac
13. Volet d'arrivée d'air
14. Bouton d'impulsion automatique

15. Panneau de commande
16. Bouton ON/OFF
17. Compteur horaire
18. Frein de roue
19. Brosse pour le sol
20. Bandes en caoutchouc
21. Tuyau d'extraction de poussière
22. Serre-câble
23. Tuyau de poignée
24. Support de tuyau de poignée
25. Manuel d'utilisation

## Symboles concernant le produit



**AVERTISSEMENT** : ce produit peut être dangereux et causer des blessures graves, voire mortelles, à l'opérateur ou à d'autres personnes. Soyez prudent et utilisez le produit correctement.



Lisez avec attention le manuel d'utilisation et assurez-vous de bien comprendre les instructions avant d'utiliser ce produit.



Utilisez des protège-oreilles, des protections pour les yeux et une protection respiratoire. Reportez-vous à *Équipement de protection individuel à la page 62*.



Le point de mise à la terre électrique de ce produit est identifié par le symbole de mise à la terre. Reportez-vous à *Instructions pour produit mis à la terre à la page 63*



Ce produit est conforme aux directives CE en vigueur.



Ce produit est conforme aux directives applicables en vigueur au Royaume-Uni.



Cet appareil de classe H est certifié par un tiers selon la norme CEI-60335-2-69, EN-60335-2-69 annexe AA.

Cet appareil contient des poussières nocives. Les opérations d'entretien et de vidage, parmi lesquelles la dépose des conteneurs de collecte de la poussière, peuvent uniquement être réalisées par des spécialistes portant un équipement de protection adéquat. N'utilisez jamais l'extracteur de poussière sans le système de filtration complet.



Ce produit n'est pas un déchet domestique. Déposez-le dans une déchetterie agréée pour équipements électriques et électroniques.



Si le produit est équipé de la technologie sans fil Bluetooth®, le symbole Bluetooth® figure sur le produit. Reportez-vous à *Bluetooth® technologie sans fil à la page 64*.

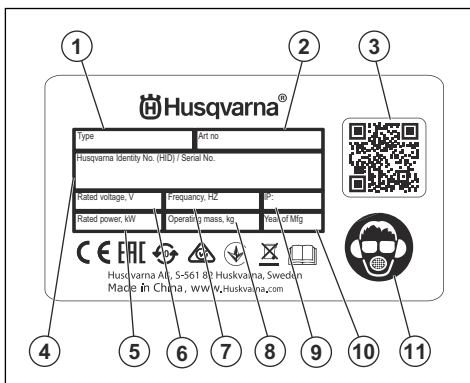
**Remarque:** les autres symboles/autocollants présents sur le produit concernent des exigences de certification spécifiques à certains marchés.

## Connectivité intégrée

Husqvarna Fleet Services™ est une solution de gestion des actifs dans le cloud qui donne un aperçu de tous les produits connectés via des capteurs intégrés ou en pièce détachée au gestionnaire de flotte. La position de la passerelle ou du smartphone peut être utilisée pour indiquer l'emplacement des produits connectés. Les capteurs enregistrent les données comme la vitesse d'exécution, les intervalles d'entretien et davantage encore. Pour plus d'informations sur la solution de gestion des actifs dans le cloud Husqvarna Fleet Services™, téléchargez l'application iOS ou Android Husqvarna Fleet Services™ à l'adresse <https://apps.apple.com/se/app/husqvarna-fleet-services/id1334672726> ou <https://play.google.com/store/apps/details?id=com.husqvarna.hfsmobile&hl=en>. Pour plus d'informations, contactez votre représentant commercial Husqvarna.

Certains modèles sont connectés via le capteur Husqvarna Fleet Services™ intégré qui dispose de la fonction Bluetooth Low Energy (BLE). Pour plus d'informations sur son utilisation, reportez-vous à *Pour utiliser la connectivité intégrée avec Fleet à la page 65*. Pour plus d'informations sur le spectre radio de la technologie BLE, reportez-vous à la section *Connectivité intégrée à la page 80*.

## Plaquette d'identification



1. Réf.
2. Référence article
3. QR code
4. Numéro de série
5. Puissance ou courant nominal (A)
6. Tension nominale
7. Fréquence
8. Poids

- 9. Classe IP
- 10. Année de production
- 11. Équipement de protection individuel

## Responsabilité

Conformément à la loi sur la responsabilité du fait des produits, nous déclinons toute responsabilité pour tout dommage causé par notre produit si :

- le produit n'est pas correctement réparé ;
- le produit est réparé avec des pièces qui ne proviennent pas du fabricant ou qui ne sont pas homologuées par le fabricant ;
- le produit est équipé d'un accessoire qui ne provient pas du fabricant ou qui n'est pas homologué par le fabricant ;
- le produit n'est pas réparé par un centre d'entretien agréé ou par une autorité homologuée.

---

## Sécurité

---

### Définitions de sécurité

Des avertissements, des recommandations et des remarques sont utilisés pour souligner des parties spécialement importantes du manuel.



**AVERTISSEMENT:** Symbole utilisé en cas de risque de blessures ou de mort pour l'opérateur ou les personnes à proximité si les instructions du manuel ne sont pas respectées.



**REMARQUE:** Symbole utilisé en cas de risque de dommages pour le produit, d'autres matériaux ou les environs si les instructions du manuel ne sont pas respectées.

**Remarque:** Symbole utilisé pour donner des informations supplémentaires pour une situation donnée.

### Instructions générales de sécurité



**AVERTISSEMENT:** Lisez les instructions qui suivent avant d'utiliser le produit.

- Ce produit est un outil dangereux si vous ne faites pas attention ou si vous l'utilisez de manière incorrecte. Ce produit peut causer des blessures graves, voire mortelles, à l'opérateur ou à d'autres personnes. Avant d'utiliser le produit, il convient de lire attentivement et de bien comprendre les instructions contenues dans ce manuel de l'opérateur.
- Ne laissez pas des personnes (y compris des enfants) aux capacités physiques, sensorielles ou mentales limitées utiliser ce produit, sauf si elles ont bénéficié de la surveillance ou des instructions concernant l'utilisation de l'appareil d'une personne responsable de leur sécurité.
- Assurez-vous d'avoir de l'expérience et des connaissances sur le produit avant de l'utiliser.
- le produit n'est pas correctement réparé ;
- le produit est réparé avec des pièces qui ne proviennent pas du fabricant ou qui ne sont pas homologuées par le fabricant ;
- le produit est équipé d'un accessoire qui ne provient pas du fabricant ou qui n'est pas homologué par le fabricant ;
- le produit n'est pas réparé par un centre d'entretien agréé ou par une autorité homologuée.
- Veillez à ce que toutes les commandes soient coupées avant de débrancher le cordon d'alimentation.
- Respectez l'ensemble des lois et réglementations applicables.
- L'opérateur et son employeur doivent connaître et éviter tout risque au cours de l'utilisation du produit.
- Ne laissez personne utiliser le produit avant d'avoir lu et compris le contenu du manuel de l'opérateur.
- N'utilisez pas le produit sauf si vous bénéficiez d'une formation préalable. Assurez-vous que tous les opérateurs suivent une formation.
- Ne laissez pas un enfant utiliser le produit.
- Seules les personnes autorisées peuvent utiliser le produit.
- L'utilisateur est tenu responsable des accidents auxquels il expose autrui ou ses biens.
- N'utilisez jamais l'appareil si vous êtes fatigué ou malade, ou si vous êtes sous l'emprise d'alcool, de drogues ou de médicaments.
- Soyez toujours prudent et utilisez votre bon sens.
- Ce produit génère un champ électromagnétique durant son fonctionnement. Ce champ peut dans certaines circonstances perturber le fonctionnement d'implants médicaux actifs ou passifs. Pour réduire le risque de blessures graves ou mortelles, nous recommandons aux personnes portant des implants médicaux de consulter leur médecin et le fabricant de leur implant avant d'utiliser cet appareil.
- Maintenez le produit propre. Assurez-vous que vous pouvez lire clairement les avertissements et les autocollants.
- N'utilisez pas le produit si celui-ci est défectueux.
- Ne modifiez pas ce produit.
- N'utilisez pas le produit s'il est susceptible d'avoir été modifié par d'autres personnes.
- N'utilisez pas le produit sans les filtres requis.
- Conservez tous les avertissements de sécurité et toutes les instructions.

### Sécurité dans l'espace de travail

- **Maintenez un espace de travail propre et bien éclairé.** Les espaces encombrés ou sombres exposent à des accidents.

- **Ne l'utilisez pas dans des atmosphères explosives, en présence de gaz, de poussières ou de liquides inflammables par exemple.** Le produit provoque des étincelles qui peuvent enflammer la poussière ou les vapeurs.
- **Tenez les enfants et les spectateurs à distance lorsque le produit est en marche.** Un moment d'inattention peut vous faire perdre le contrôle.

## Sécurité électrique



**AVERTISSEMENT:** N'exposez pas l'appareil à la pluie ou à l'humidité. L'infiltration d'eau dans un appareil électrique augmente le risque d'électrocution.

- **La fiche du cordon d'alimentation de l'appareil doit correspondre à la prise. N'apportez jamais de modifications à la fiche. N'utilisez pas d'adaptateurs avec des produits mis à la terre.** Des fiches non modifiées et des prises compatibles réduisent le risque d'électrocution.
- **Insérez la fiche dans une prise de courant mise à la terre appropriée, correctement installée et conforme aux réglementations locales.** En cas de doute sur l'efficacité de la prise de courant, faites vérifier la connexion de terre par un spécialiste qualifié.
- **Évitez tout contact physique avec les surfaces mises à la terre telles que les tuyaux, les radiateurs, les cuisinières et les réfrigérateurs.** Le risque d'électrocution est plus important si le corps est relié à la terre.
- **Vérifiez que le cordon d'alimentation ne se trouve pas dans une flaque d'eau.**
- **Vérifiez régulièrement le cordon d'alimentation de l'appareil et faites-le remplacer par le fabricant ou son agent en cas de dommage.** Vérifiez régulièrement les rallonges et remplacez-les si elles sont endommagées.
- **Ne touchez pas le cordon d'alimentation ou la rallonge s'ils sont endommagés pendant le travail.** Débranchez le cordon d'alimentation de la prise de courant. Les cordons d'alimentation ou rallonges endommagés présentent un risque d'électrocution.
- **Ne malmenez pas le cordon.** N'utilisez jamais le cordon pour porter, tirer ou débrancher l'appareil. Maintenez le cordon d'alimentation à l'écart de la chaleur, de l'huile, des bords tranchants ou des pièces mobiles. Les fils endommagés ou emmêlés augmentent le risque de choc électrique.
- **Lorsque vous utilisez un appareil électrique à l'extérieur, utilisez uniquement une rallonge électrique adaptée à un usage extérieur.** L'utilisation d'une rallonge adaptée à un usage extérieur réduit le risque d'électrocution.
- **En cas d'interruption de l'alimentation électrique, éteignez l'appareil et débranchez-le de la prise secteur.**

- **N'utilisez jamais l'appareil s'il est sale ou humide.** La poussière (en particulier la poussière provenant de matériaux conducteurs) ou l'humidité adhérent à la surface de l'appareil peuvent, dans des conditions défavorables, entraîner une électrocution. **Les appareils sales ou poussiéreux doivent donc être vérifiés à intervalles réguliers par un atelier de réparation agréé, en particulier s'ils sont fréquemment utilisés pour travailler sur des matériaux conducteurs.**
- **Si vous n'avez pas d'autre choix que d'utiliser un appareil électrique dans un endroit humide, utilisez une alimentation protégée par un disjoncteur différentiel de fuite à la terre (RCD).** L'utilisation d'un RCD réduit le risque de choc électrique.
- Effectuez régulièrement des tests de sécurité électrique sur le produit. Reportez-vous à la réglementation locale pour connaître la procédure correcte.

## Sécurité du personnel

- **Restez attentif, regardez ce que vous faites et ayez recours à votre bon sens lorsque vous utilisez le produit. N'utilisez pas le produit si vous êtes fatigué ou sous l'emprise de drogues, d'alcool ou de médicaments.** Un moment d'inattention pendant l'utilisation du produit peut entraîner des blessures corporelles graves.
- **Utilisez un équipement de protection personnelle. Travaillez toujours avec des lunettes de protection.** Les équipements de protection tels que le masque anti-poussière, les chaussures de sécurité antidérapantes, le casque ou le protège-oreilles utilisés dans des conditions appropriées réduisent les blessures corporelles.
- **Évitez tout démarrage intempestif. Assurez-vous que l'interrupteur est en position d'arrêt avant de brancher l'outil sur l'alimentation, de le ramasser ou de le transporter.** Le fait de garder le doigt sur l'interrupteur pendant le transport du produit ou de mettre le produit sous tension alors que l'interrupteur est en position de marche expose à des accidents.
- **Retirez toute clé ou clavette de réglage avant de mettre le produit sous tension.** Une clé ou une clavette reliée à une pièce rotative du produit peut entraîner des blessures corporelles.
- **Ne vous éloignez pas trop. Restez toujours en équilibre et sur vos appuis.** Cela favorise le contrôle du produit dans les situations inattendues.
- **Habilitez-vous correctement. Ne portez jamais de vêtements amples ou de bijoux. Éloignez vos cheveux et vos vêtements des pièces mobiles.** Les vêtements amples, les bijoux et les cheveux longs peuvent être happés par les pièces en mouvement.
- **Si des dispositifs sont fournis pour raccorder des systèmes de collecte et d'extraction de la poussière, vérifiez qu'ils sont correctement branchés et utilisés.** L'utilisation de systèmes de collecte de poussière peut réduire les risques associés à la poussière.

- **La connaissance des outils, acquise par l'usage fréquent de ces derniers, ne doit pas vous dispenser d'être prudent et d'appliquer les principes de sécurité.** Une action inconsidérée peut provoquer de graves blessures en une fraction de seconde.

## Utilisation et entretien du produit

- **Ne forcez pas le produit. Utilisez le produit convenant à l'application.** Le produit approprié réalisera mieux son travail et de façon plus sûre, à la vitesse pour laquelle il a été conçu.
- **N'utilisez pas le produit si l'interrupteur ne permet pas la mise sous tension ou l'arrêt.** Tout produit impossible à commander avec l'interrupteur est dangereux et doit être réparé.
- **Débranchez la fiche de la source d'alimentation, si amovible, avant de procéder à des réglages, de changer les accessoires ou de ranger le produit.** Ces mesures de sécurité préventive réduisent le risque de mise sous tension accidentelle du produit.
- **Rangez le produit hors de la portée des enfants et ne laissez pas des personnes qui ne connaissent pas le produit ou ces consignes utiliser le produit.** Le produit est dangereux s'il est entre les mains d'utilisateurs non formés.
- **Veillez à entretenir le produit et ses accessoires. Vérifiez le mauvais alignement ou la fixation des pièces mobiles, l'éventuelle rupture des pièces ou toute autre condition susceptible d'altérer le fonctionnement du produit. S'il est endommagé, faites réparer le produit avant toute réutilisation.** De nombreux accidents sont dus à des produits mal entretenus.
- **Maintenez les outils tranchants aiguisés et propres.** Des outils tranchants correctement entretenus avec des bords aiguisés sont moins susceptibles de se coincer et sont plus faciles à contrôler.
- **Utilisez le produit, les accessoires, les mèches, etc. en suivant ces consignes et en tenant compte des conditions de travail et de la tâche à réaliser.** L'utilisation du produit pour des opérations autres que celles pour lesquelles il a été prévu peut entraîner des situations dangereuses.
- **Les poignées et les surfaces de maintien doivent toujours être propres, sèches et sans traces d'huile ni de graisse.** Les poignées et les surfaces de maintien glissantes ne permettent pas une manipulation et un contrôle sûrs de l'outil dans des situations inattendues.

## Service

- Ne confiez l'entretien qu'à un centre d'entretien agréé, et ce, uniquement avec des pièces de rechange approuvées. Cela permet de protéger le produit.
- Reportez-vous à *Calendrier d'entretien à la page 70* pour obtenir plus d'informations.

## Consignes de sécurité pour l'assemblage



**AVERTISSEMENT:** Lisez les instructions et les mises en garde qui suivent avant d'assembler le produit.

- Les modifications et accessoires non autorisés peuvent entraîner des blessures graves, voire mortelles à l'utilisateur ou aux autres personnes présentes.
- Utilisez uniquement les accessoires comme décrit dans ce manuel. Utilisez uniquement des accessoires recommandés par le fabricant.
- Assurez-vous que la zone d'assemblage est stable afin d'éviter que le produit ne se renverse. Risques de blessures et de dégâts matériels.
- Faites preuve de prudence, car les fixations à bascule peuvent blesser l'opérateur lors de l'assemblage du produit.

## Instructions de sécurité pour le fonctionnement



**AVERTISSEMENT:** Lisez les instructions qui suivent avant d'utiliser le produit.

- N'utilisez pas le produit si le cordon d'alimentation ou la prise de courant sont endommagés.
- Si le produit ne fonctionne pas correctement, heurte le sol, est endommagé, laissé à l'extérieur ou tombe dans l'eau, arrêtez le produit. Faites réparer le produit par un atelier de réparation homologué.
- Veillez à ce que le moteur et toutes les commandes soient coupés avant de débrancher le cordon d'alimentation.
- Débranchez le cordon d'alimentation de la prise lorsque le produit n'est pas utilisé, avant de procéder à l'entretien ou avant de vous éloigner du produit.
- Ne tirez pas sur le cordon d'alimentation pour le débrancher de la prise. Tirez toujours sur la fiche pour la débrancher de la prise.
- Ne faites pas fonctionner le produit à des températures inférieures à -10 °C.
- N'utilisez pas le produit dans des endroits présentant un risque d'explosion ou dans des zones contenant des liquides ou des matériaux inflammables.
- Ne placez pas d'objets dans les ouvertures.
- N'utilisez pas le produit si une ouverture est obstruée. Retirez la poussière, les peluches, les cheveux ou tout autre matériau susceptible de réduire le débit d'air.
- N'utilisez pas le produit et ne tirez pas sur la prise d'alimentation avec les mains mouillées.

- Maintenez les cheveux, les vêtements amples et toutes les parties du corps à l'écart des ouvertures et des pièces mobiles.
- Utilisez le produit avec précaution dans les escaliers pour éviter tout dommage ou blessure en cas de chute du produit.
- Assurez-vous de toujours pouvoir couper le moteur rapidement en cas d'urgence.
- Bloquez toujours les roues de transport en cas de travail sur une surface irrégulière.
- N'utilisez pas le produit sans sac Longopac et sans filtres installés. Remplacez le sac Longopac et les filtres comme indiqué dans ce manuel.
- Si le produit présente un niveau de vibrations ou sonore inhabituel, arrêtez-le immédiatement et débranchez l'alimentation électrique. Vérifiez que le produit n'est pas endommagé. Des vibrations inhabituelles sont généralement le signe d'un dommage. Réparez les éventuels dommages ou demandez à un atelier spécialisé agréé de procéder aux réparations.
- Utilisez uniquement des accessoires homologués. Pour plus d'informations, contactez votre représentant Husqvarna.
- Utilisez un équipement de protection personnelle. Reportez-vous à la section *Équipement de protection individuel* à la page 62.
- Avant tout travail d'entretien, débranchez le produit de la source d'alimentation.
- Ne modifiez pas le produit. Les modifications apportées au produit qui ne sont pas approuvées par le fabricant peuvent causer des blessures graves, voire mortelles.
- Utilisez toujours les accessoires et les pièces de rechange d'origine. Les accessoires et les pièces de rechange qui ne sont pas approuvés par le fabricant peuvent causer des blessures graves, voire mortelles.
- Remplacez les pièces endommagées, usées ou cassées.
- Effectuez uniquement les tâches d'entretien décrites dans le présent manuel de l'opérateur. Laissez un atelier spécialisé agréé se charger de toutes les autres opérations d'entretien.
- Si le remplacement du cordon d'alimentation s'avère nécessaire, il doit être effectué par le constructeur ou son agent afin d'éviter tout risque pour la sécurité.
- Demandez à un atelier spécialisé d'effectuer régulièrement l'entretien du produit.

## Équipement de protection individuel



**AVERTISSEMENT:** Lisez les instructions qui suivent avant d'utiliser le produit.

- Portez toujours un équipement de protection individuel homologué lorsque vous utilisez le produit. L'équipement de protection individuel ne protège pas complètement des blessures, mais il diminue la gravité des blessures en cas d'accident. Faites appel à votre revendeur pour vous aider à sélectionner l'équipement de protection individuel adéquat.
- Vérifiez régulièrement l'état de votre équipement de protection individuel.
- Utilisez un casque de protection homologué.
- Utilisez des protège-oreilles homologués.
- Utilisez une protection respiratoire homologuée de classe P2 ou supérieure.
- Utilisez des protections pour les yeux homologuées.
- Utilisez des gants de protection.
- Utilisez des chaussures de protection.

## Instructions de sécurité pour l'entretien



**AVERTISSEMENT:** Lisez les instructions qui suivent avant d'utiliser le produit.

- Si l'entretien n'est pas effectué correctement et régulièrement, le risque de blessures et d'endommagement du produit augmente.

## Dispositifs de sécurité sur le produit



**AVERTISSEMENT:** Lisez les instructions qui suivent avant d'utiliser le produit.

- N'utilisez jamais un produit dont les équipements de sécurité sont défectueux. Si les contrôles ne donnent pas de résultat positif, confiez le produit à un atelier spécialisé.
- N'utilisez pas le produit si des plaques de protection, des capots de protection, des interrupteurs de sécurité ou d'autres dispositifs de protection ne sont pas fixés ou sont défectueux.

## Utilisez toujours votre bon sens



**AVERTISSEMENT:** Vous ne devez en aucun cas modifier la conception d'origine du produit sans l'approbation du fabricant. Utilisez toujours les pièces de rechange d'origine. Les modifications et/ou accessoires non autorisés peuvent entraîner des blessures très graves, voire mortelles de l'utilisateur ou d'autres personnes présentes.



**AVERTISSEMENT:** L'utilisation de produits tels que les découpeuses, les meuleuses ou les foreuses pour poncer ou découper un matériau peut produire de la poussière et des vapeurs susceptibles de contenir des substances chimiques dangereuses. Vérifiez la nature du matériau

que vous souhaitez travailler et utilisez un masque respiratoire approprié.

Il est impossible de prévoir toutes les situations que vous pouvez rencontrer lorsque vous utilisez ce produit. Soyez toujours prudent et utilisez votre bon sens. Évitez les situations que vous n'êtes pas sûr de pouvoir maîtriser. Si, après avoir lu ces instructions, vous n'êtes toujours pas sûr de la procédure à suivre, demandez conseil à un expert avant de poursuivre.

N'hésitez pas à contacter votre représentant Husqvarna si vous avez des questions sur l'utilisation du produit. Nous sommes à votre disposition et vous conseillerons

avec plaisir pour vous aider à utiliser votre produit en toute sécurité et de façon efficace.

Laissez à votre revendeur Husqvarna le soin de contrôler régulièrement le produit et d'effectuer les réglages et les réparations nécessaires.

Husqvarna AB travaille continuellement au développement de ses produits. Husqvarna se réserve le droit de modifier la conception et l'aspect de ses produits sans préavis et sans autres engagements.

Toutes les informations et toutes les données indiquées dans le manuel de l'opérateur étaient valables à la date à laquelle ce manuel a été porté à l'impression.

## Utilisation

### Instructions pour produit mis à la terre



**AVERTISSEMENT:** un mauvais branchement peut provoquer un choc électrique. Consultez un électricien agréé si vous n'êtes pas certain que votre prise secteur soit correctement mise à la terre.

Ne modifiez pas la prise de courant par rapport à ses spécifications d'usine. Si la fiche ou le cordon d'alimentation est endommagé ou doit être remplacé, contactez votre atelier spécialisé Husqvarna. Respectez la législation et les réglementations locales.

Si vous n'avez pas bien compris les instructions de mise à la terre du produit, consultez un électricien homologué.

Utilisez uniquement des rallonges extérieures mises à la terre avec des fiches de mise à la terre et une prise de mise à la terre acceptant la fiche d'alimentation du produit.

Le produit est équipé d'un cordon d'alimentation de mise à la terre et d'une prise de courant. Branchez systématiquement le produit sur une prise secteur mise à la terre. Cela permet de réduire le risque de choc électrique en cas de dysfonctionnement.

Utilisez un circuit d'alimentation monophasé nominal avec ce produit.

N'utilisez pas d'adaptateurs électriques avec le produit.

### À faire avant de démarrer le produit

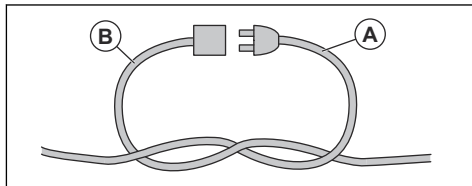


**AVERTISSEMENT:** Pour éviter tout risque de blessure, assurez-vous de fixer complètement la fiche du produit à la rallonge. Vérifiez régulièrement la connexion pendant que vous utilisez le produit pour vous assurer qu'il est bien fixé. N'utilisez pas de rallonge créant une connexion lâche.

**Remarque:** Les conditions de fonctionnement sont une altitude maximale de 800 m/2 625 pieds, une température comprise entre 10 °C/14 °F et 40 °C/104 °F et une humidité de 85 %.

**Remarque:** lisez attentivement le manuel d'utilisation de l'équipement attelé. Si des exigences ou des réglages spécifiques sont donnés pour l'extracteur de poussière, veillez à les respecter.

1. Lisez attentivement le manuel d'utilisation et assurez-vous de bien comprendre les instructions.
2. Effectuez l'entretien quotidien. Reportez-vous à la section *Calendrier d'entretien à la page 70*.
3. Assurez-vous que la zone de travail est propre et lumineuse.
4. Utilisez un équipement de protection personnelle. Reportez-vous à la section *Équipement de protection individuel à la page 62*.
5. Assurez-vous que le produit est installé correctement.
6. Veillez à ce que la fréquence et la tension indiquées sur la plaque signalétique correspondent à la tension d'alimentation électrique. Cela s'applique également aux rallonges.
7. Branchez le cordon du produit (A) à la rallonge (B) pendant le fonctionnement pour vous assurer qu'ils restent connectés.

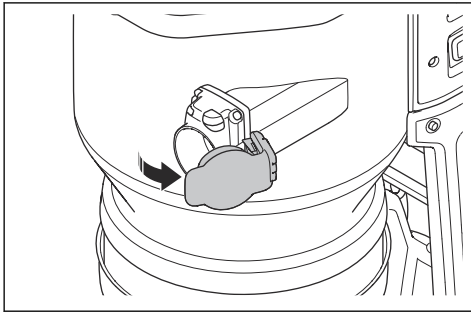


## Fixation du tuyau d'extraction de poussière

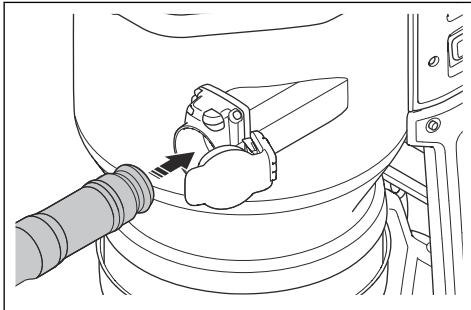


**AVERTISSEMENT:** Utilisez un tuyau antistatique pour éviter les effets antistatiques.

1. Ouvrez le raccord de tuyau.



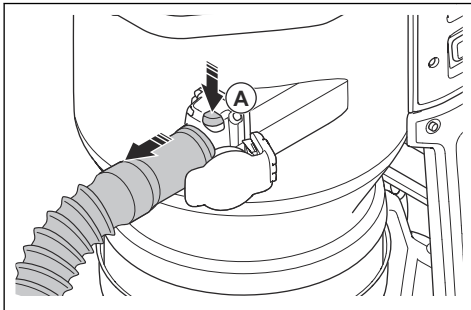
2. Placez l'adaptateur de tuyau dans le raccord de tuyau.



3. Poussez l'adaptateur de tuyau jusqu'à ce que vous entendiez un clic pour le positionner correctement.

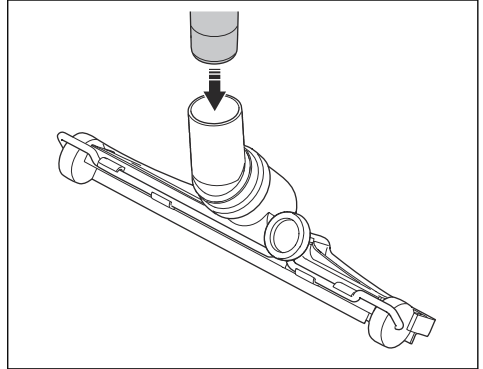
## Retrait du tuyau d'extraction de poussière

- Appuyez sur le bouton de verrouillage du tuyau (A) et tirez le tuyau d'extraction de poussière.

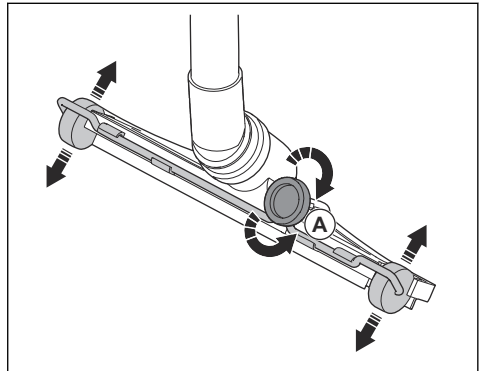


## Pour fixer et régler la brosse pour le sol

1. Placez l'extrémité de la poignée complètement dans l'arbre de la brosse pour le sol.



2. Tournez le bouton (A) à l'arrière de la brosse pour le sol pour régler les roues de la brosse pour le sol. Différentes surfaces et différents types de poussière et de matériaux rendent nécessaire le réglage des roues pour obtenir les meilleures performances.



## Bluetooth® technologie sans fil

Les produits dotés de la technologie sans fil Bluetooth® intégrée peuvent se connecter aux appareils mobiles et activer des fonctionnalités supplémentaires à partir de la connexion Husqvarna.

Le symbole de la technologie sans fil *Bluetooth®* s'allume lorsque votre appareil mobile est connecté au produit.





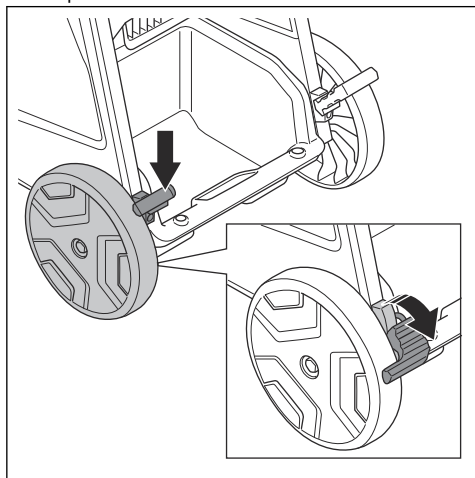
## Verrouillage et déverrouillage des roues de transport

Pour une utilisation sur une surface en pente, il est nécessaire de verrouiller les roues de transport.



**AVERTISSEMENT:** Les roues et les roulements doivent être propres et exempts de poussière pour un fonctionnement sûr. Reportez-vous à *Calendrier d'entretien à la page 70.*

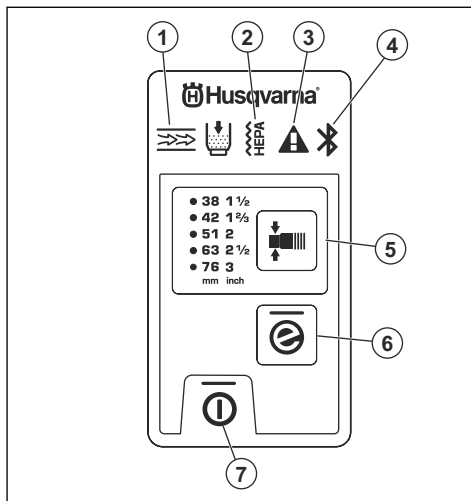
1. Maintenez le produit dans une position fixe et sûre.
2. Appuyez sur le frein de roue de chaque côté pour bloquer les roues.



3. Tirez les freins de roue vers le haut pour déverrouiller les roues.

## Fonctions du panneau de commande

Le panneau de commande contrôle et surveille les fonctions et configurations importantes du produit. Reportez-vous à *Avertissements sur le panneau de commande à la page 75* pour accéder à des solutions concernant les avertissements.



1. Le préfiltre est colmaté. Reportez-vous à *Procédure de purge du filtre à la page 67.*
2. Le filtre HEPA est colmaté, endommagé ou manquant. Reportez-vous à *Pour remplacer le filtre HEPA à la page 72.*
3. Avertissement. Reportez-vous à *Avertissements sur le panneau de commande à la page 75.*
4. Connexion Bluetooth®. Reportez-vous à *Pour utiliser la connectivité intégrée avec Fleet à la page 65.*
5. Fonction de changement de diamètre de tuyau, reportez-vous à *Pour sélectionner le diamètre de la buse de tuyau à la page 66*
6. bouton e-Flow, reportez-vous à *Fonction e-Flow à la page 65*
7. Bouton ON/OFF

## Pour utiliser la connectivité intégrée avec Fleet

**Remarque:** Cette pièce s'applique uniquement aux produits fournis avec une connectivité intégrée.

**Remarque:** La transmission radio grâce à la fonction Bluetooth® est activée lors du premier branchement à une prise secteur, et le reste par la suite.

1. Téléchargez l'application Husqvarna Fleet Services iOS ou Android Husqvarna Fleet Services™.
2. Pour plus d'informations, rendez-vous sur le site Web Husqvarna Fleet Services <https://fleetservices.husqvarna.com>.

## Fonction e-Flow

Ce produit est équipé d'une fonction e-Flow. Cette fonction ajuste automatiquement le débit d'air à la

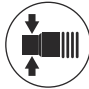


charge de travail pour des performances optimales. Le produit démarre toujours avec les derniers paramètres utilisés.

Reportez-vous à la section *Fonctions du panneau de commande à la page 65* pour engager ou désengager la fonction.

## Système d'avertissement de débit d'air

Le débit d'air dans le tuyau d'aspiration doit être supérieur à 20 m/s (66 pi/s).

Pour connaître le débit d'air minimum avec le diamètre de tuyau sélectionné, reportez-vous au tableau.

Niveaux d'alarme de débit d'air			
  			
mm	pouce	m <sup>3</sup> /h	pi <sup>3</sup> /min
21	5/6	25	15
27	1	41	24
32	1 ¼	58	34
38	1 ½	82	48
42	1 ⅔	100	59
51	2	147	87
63	2 ½	224	132
76	3	327	192

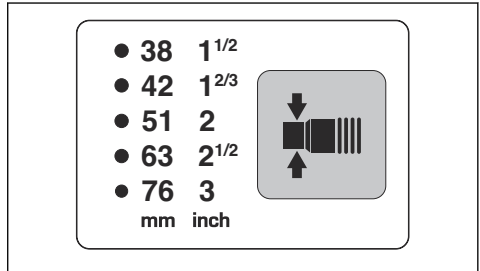
**Remarque:** Si le débit d'air est inférieur à 20 m/s (66 pi/s), l'alarme sonore retentit et le symbole d'avertissement s'allume. Reportez-vous à *Avertissements sur le panneau de commande à la page 75*.

## Pour sélectionner le diamètre de la buse de tuyau

**Remarque:** Si le diamètre de tuyau sélectionné n'est pas correct, le système d'avertissement de débit d'air s'allume.

Lorsque vous démarrez le produit, le dernier diamètre de tuyau sélectionné est automatiquement sélectionné.

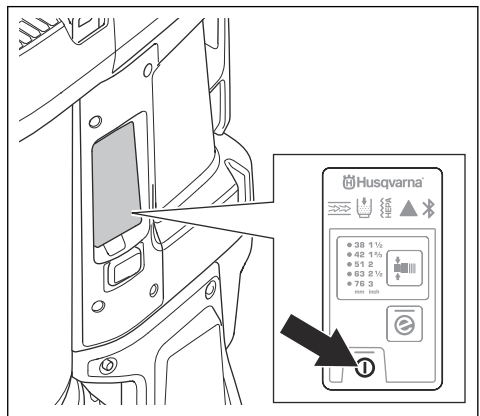
- Appuyez sur le bouton pour sélectionner le diamètre de tuyau correct. La LED verte indique le diamètre que vous avez sélectionné.



## Démarrage et arrêt du produit

**Remarque:** Attendez 5 secondes après avoir démarré le produit pour qu'il fonctionne avec une aspiration complète. L'aspiration n'est pas à pleine capacité directement au démarrage.

- Veillez à ce que la fréquence et la tension indiquées sur la plaque signalétique correspondent à l'alimentation électrique.
- Branchez le produit à une prise d'alimentation adaptée.
- Appuyez sur « I » sur l'interrupteur principal pour activer le produit. Reportez-vous à *Aperçu du produit à la page 57*.
- Appuyez sur le bouton On/Off pour démarrer et arrêter le fonctionnement.



- Pour arrêter le fonctionnement, appuyez sur le bouton On/Off. Le bouton s'éteint lorsque vous arrêtez le fonctionnement.
- Appuyez sur « 0 » sur l'interrupteur principal pour désactiver le produit.
- Débranchez le produit de la prise d'alimentation.

## Compteur horaire

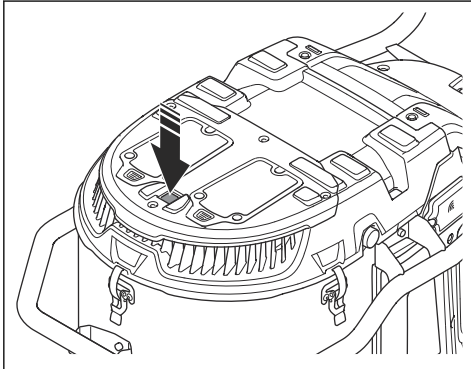
Le compteur horaire indique depuis combien d'heures le moteur est en cours d'utilisation. Reportez-vous à la section *Aperçu du produit à la page 57* pour connaître l'emplacement du compteur horaire.

## Fonction d'impulsion automatique

La fonction d'impulsion automatique nettoie les filtres. La fonction d'impulsion automatique est activée lorsque vous démarrez le produit et pendant son fonctionnement. La fonction d'impulsion automatique est également activée pendant 1 cycle après l'arrêt du produit. Il est recommandé d'utiliser le produit avec la fonction d'impulsion automatique activée. Pour certaines opérations, il est nécessaire d'arrêter la fonction d'impulsion automatique. Reportez-vous à *Arrêt et démarrage de la fonction d'impulsion automatique à la page 67*.

### Arrêt et démarrage de la fonction d'impulsion automatique

1. Appuyez sur le bouton d'impulsion automatique.



2. Assurez-vous que le témoin LED vert s'éteint.

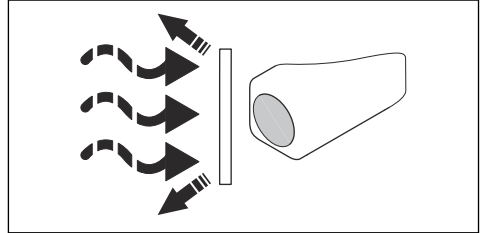
Appuyez à nouveau sur le bouton d'impulsion automatique pour démarrer la fonction d'impulsion automatique. Assurez-vous que le témoin LED vert s'allume.

### Procédure de purge du filtre

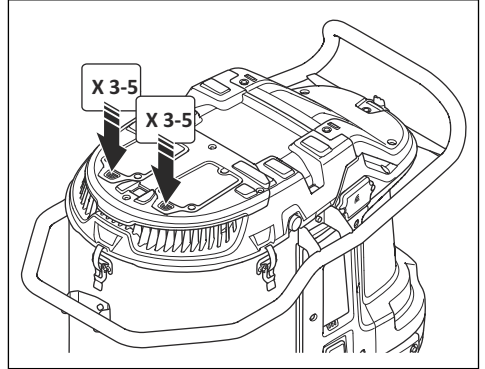
Il est nécessaire d'effectuer une procédure de purge du filtre dans les situations suivantes :

- Avant un arrêt de travail ou à la fin de chaque journée de travail.
- Lorsque l'aspiration est insuffisante.
- Avant l'installation d'un nouveau sac Longopac.
- Lorsque l'alarme de préfiltre colmaté se déclenche. Reportez-vous aux instructions sur l'autocollant apposé sur le couvercle du préfiltre.

1. Arrêtez le produit et effectuez un court arrêt de travail pour laisser les particules de poussière se déposer dans le sac Longopac.
2. Faites démarrer le produit. Reportez-vous à *Démarrage et arrêt du produit à la page 66*.
3. Fermez la prise d'air à l'aide du bouchon de prise d'air ou de la soupape d'admission pour créer une dépression.



4. Attendez 5 secondes jusqu'à ce que la dépression soit faite.
5. Appuyez simultanément sur les 2 boutons de purge du filtre.



6. Répétez 5 fois les étapes 5 à 6.



**REMARQUE:** Il est important de laisser le produit créer une dépression entre chaque pression sur le bouton.

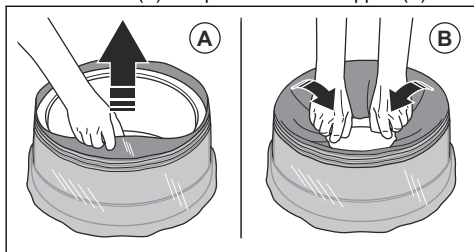
Si l'aspiration n'est pas suffisante après cette procédure, il est nécessaire de nettoyer le préfiltre avec de l'eau. Reportez-vous à *Nettoyage du préfiltre avec de l'eau à la page 71*.

### Pour installer une cassette de sac Longopac neuve

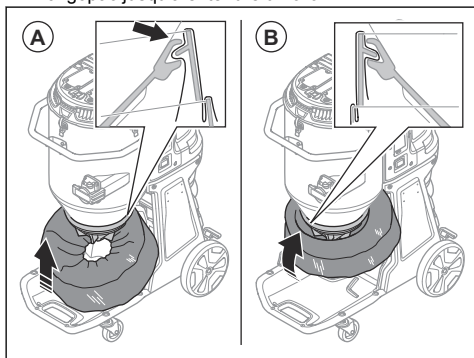


**REMARQUE:** Nettoyez le préfiltre avant d'installer une cassette Longopac neuve. Reportez-vous à *Procédure de purge du filtre à la page 67*.

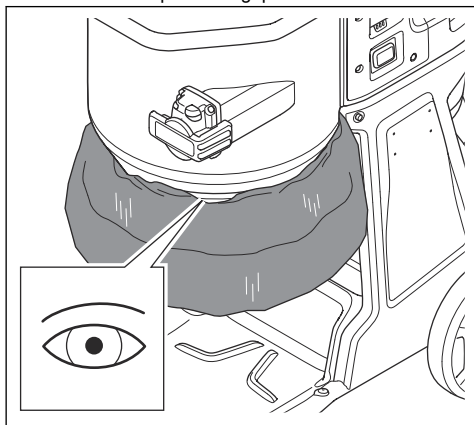
1. Posez la cassette Longopac autour du bord intérieur du support Longopac.
2. Retirez les 4 sangles après avoir placé le Longopac dans le support.
3. Tirez la couche intérieure de la cassette Longopac vers le haut (A) et repliez-la dans le support (B).



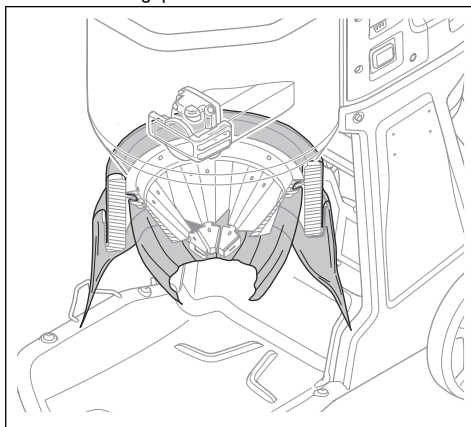
4. Fixez le support Longopac à l'arrière du conteneur (A). Fixez ensuite le support Longopac sur les côtés et à l'avant du conteneur (B). Appuyez sur le support Longopac jusqu'à entendre un clic.



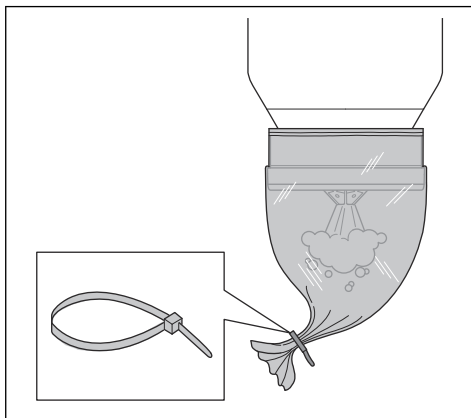
5. Assurez-vous que le Longopac est étanche.



6. Tirez vers le bas sur la couche extérieure de la cassette Longopac.



7. Fermez la base du Longopac à l'aide d'un serre-câble.

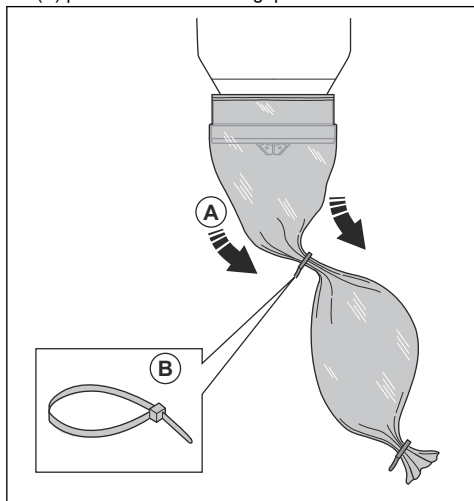


### Pour jeter un sac Longopac plein et préparer un sac Longopac neuf

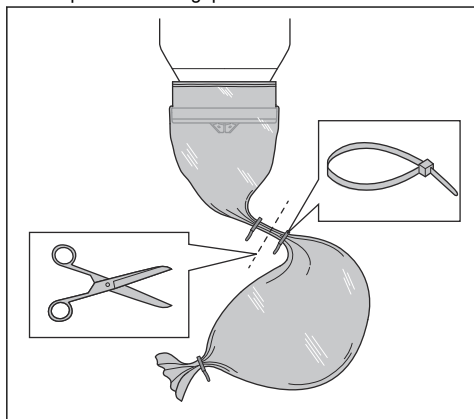


**AVERTISSEMENT:** Soulevez le sac Longopac avec précaution ; un sac Longopac plein peut être lourd. Assurez-vous que les serre-câbles sont correctement fermés avant de soulever le sac Longopac.

1. Retirez le sac Longopac (A) et fixez un serre-câble (B) pour fermer le sac Longopac neuf.



2. Secouez la poussière du sac Longopac usagé.
3. Fixez un serre-câble de 10 cm/3,9 pi sous le premier serre-câble pour fermer le sac Longopac usagé. Coupez le sac Longopac entre les serre-câbles.



4. Si la partie restante de la cassette de sac Longopac est trop petite pour préparer un sac Longopac neuf, installez une cassette de sac Longopac neuve. Reportez-vous à la section *Pour installer une cassette de sac Longopac neuve à la page 67*.
5. Respectez les réglementations locales relatives à la mise au rebut du sac Longopac plein.

## À faire une fois le travail terminé

1. Si vous avez arrêté la fonction d'impulsion automatique pendant la journée de travail, nettoyez manuellement les filtres. Reportez-vous à *Procédure de purge du filtre à la page 67*.
2. Arrêtez le produit, reportez-vous à *Démarrage et arrêt du produit à la page 66*.
3. Jetez le sac Longopac. Reportez-vous à *Pour jeter un sac Longopac plein et préparer un sac Longopac neuf à la page 68*.
4. Nettoyez le produit. Reportez-vous à *Nettoyage du produit à la page 71*.
5. Préparez le produit pour le transport. Reportez-vous à *Déplacement du produit à la page 76*.

---

## Entretien

---

### Introduction



**AVERTISSEMENT:** les accidents liés au produit se produisent pendant la recherche de pannes, l'entretien et la maintenance, car l'opérateur doit se trouver dans la zone à risque du produit. L'opérateur doit être prudent, planifier et préparer le travail pour éviter les accidents.



**AVERTISSEMENT:** avant de procéder à l'entretien, assurez-vous que l'interrupteur du moteur et l'interrupteur de la pompe sont en position d'arrêt. Débranchez le cordon d'alimentation et retirez le câble de la pompe.



**AVERTISSEMENT:** seul un électricien agréé doit effectuer tous les contrôles des composants électriques.



**AVERTISSEMENT:** veillez à ne pas percer de trou dans le filtre. Risque de dispersion de la poussière.



**AVERTISSEMENT:** veillez à respecter toutes les réglementations locales pour éliminer correctement la poussière dangereuse avant et pendant l'entretien.



**AVERTISSEMENT:** le fabricant ou une personne qualifiée doit effectuer une

inspection technique au moins une fois par an. L'inspection technique comprend l'inspection des filtres pour vérifier l'absence de dommages, l'étanchéité à l'air du produit et le bon fonctionnement du mécanisme de commande. En outre, l'efficacité de filtration du produit doit être testée au moins une fois par an, ou plus fréquemment, selon les exigences nationales. Si le test n'est pas effectué, le filtre HEPA doit être remplacé par un filtre neuf.

## Calendrier d'entretien

Les intervalles d'entretien sont calculés selon une utilisation quotidienne du produit. Les intervalles sont différents si le produit n'est pas utilisé tous les jours.

Entretien	Avant chaque utilisation	Au quotidien	Toutes les semaines	En cas d'aspiration faible	Tous les 6 mois ou toutes les 600 h	Tous les 12 mois ou toutes les 2000 h
Effectuez la procédure de purge du filtre. Reportez-vous à la section <i>Procédure de purge du filtre à la page 67</i> .	X					
Recherchez des signes d'usure ou de détérioration du cône d'évacuation de la poussière en caoutchouc.	X					
Vérifiez la fiche d'alimentation et le cordon d'alimentation.	X					
Recherchez des signes d'usure, de dommages ou des raccords desserrés des commandes avant de brancher l'unité.	X					
Vérifiez le tuyau et les raccords de tuyau.	X					
Recherchez des signes d'usure ou de détérioration des pièces en plastique.	X					
Vérifiez les œillets de levage.	X					
Assurez-vous que le Longopac est correct et correctement fixé. Reportez-vous à la section <i>Pour installer une cassette de sac Longopac neuve à la page 67</i> .		X				
Vérifiez la fonction de purge du filtre.		X				
Vérifiez les roues. Recherchez des dommages et de mauvais raccords.			X			
Vérifiez les joints du filtre.			X			

Entretien	Avant chaque utilisation	Au quotidien	Toutes les semaines	En cas d'aspiration faible	Tous les 6 mois ou toutes les 600 h	Tous les 12 mois ou toutes les 2000 h
Effectuez la procédure de purge du filtre. Si l'aspiration reste insuffisante, nettoyez le préfiltre avec de l'eau. Reportez-vous à la section <i>Nettoyage du préfiltre avec de l'eau à la page 71</i> .				X		
Remplacez le préfiltre nettoyé si l'aspiration reste insuffisante. Reportez-vous à la section <i>Pour remplacer le préfiltre à la page 72</i> .				X		X
Remplacez le filtre HEPA.				X	X	
Remplacez le cône d'évacuation de la poussière en caoutchouc.						X
Remplacez les pièces en caoutchouc de nettoyage du filtre.						X

## Pour contrôler les fonctions du panneau de commande

1. Faites démarrer le produit. Reportez-vous à *Démarrage et arrêt du produit à la page 66*.
2. Appuyez sur le bouton On/Off et maintenez-le enfoncé. Reportez-vous à la section *Fonctions du panneau de commande à la page 65*.
3. Assurez-vous que le produit s'arrête et que la LED verte s'éteint.

- Nettoyez les filtres comme indiqué à la section *Nettoyage du préfiltre avec de l'eau à la page 71* et *Pour remplacer le filtre HEPA à la page 72*.
- Après l'entretien, placez les pièces mises au rebut dans des sacs en plastique. Reportez-vous à la réglementation locale pour connaître la procédure correcte.
- Si vous utilisez de l'eau pour nettoyer le produit, retirez le préfiltre et le Longopac avant le nettoyage. Assurez-vous également que de l'eau ne s'infilte pas dans le filtre HEPA.

## Nettoyage du produit

Le fonctionnement peut entraîner une contamination de toutes les pièces du produit et de tous les équipements utilisés. Il est donc nécessaire de nettoyer soigneusement et entièrement toutes les pièces du produit et tous les équipements utilisés.



**AVERTISSEMENT:** Débranchez le produit de l'alimentation électrique.



**AVERTISSEMENT:** Nettoyez le produit avant de le déplacer de la zone de travail. La poussière restante sur le produit peut pénétrer dans l'air et entraîner un risque pour la santé.

- Utilisez un équipement de protection personnelle. Reportez-vous à la section *Équipement de protection individuel à la page 62*.
- Ne nettoyez pas le produit avec un nettoyeur haute pression ou de l'air comprimé.
- Nettoyez la surface externe avec un chiffon humide.
- N'utilisez pas d'eau sur les composants électriques.

## Nettoyage du préfiltre avec de l'eau



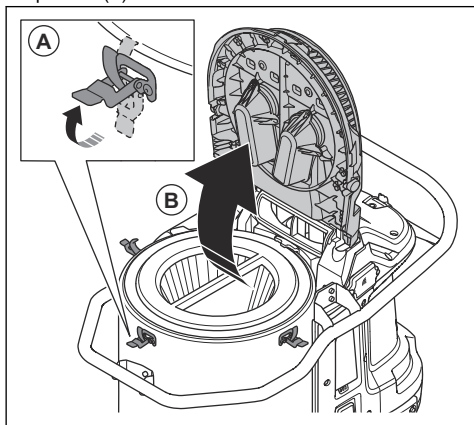
**REMARQUE:** N'utilisez pas de nettoyeur haute pression ou d'air comprimé pour nettoyer le préfiltre. Ne frappez pas le préfiltre avec force pour le nettoyer.



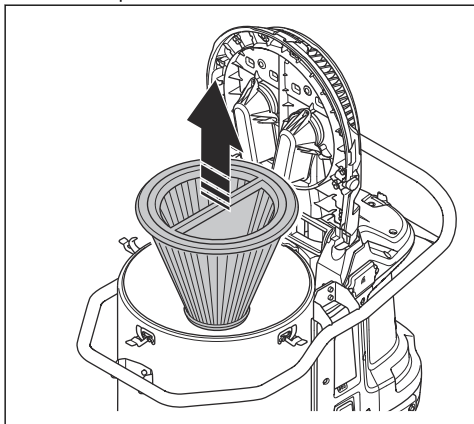
**REMARQUE:** Ne le laissez pas sécher à la lumière du soleil. Les joints sécheraient.

**Remarque:** Le nettoyage avec de l'eau réduit progressivement l'efficacité du filtre.

1. Desserrez les colliers (A) et ouvrez le couvercle du préfiltre (B).



2. Retirez le préfiltre.



3. Nettoyez le préfiltre à l'eau courante à partir de la surface interne du préfiltre.



**REMARQUE:** La pression de l'eau ne doit pas être supérieure à 4 bar.



**REMARQUE:** Ne heurtez pas et ne faites pas glisser d'éléments sur la surface du filtre. Cela endommagerait le filtre.

4. Laissez le préfiltre sécher complètement.



**REMARQUE:** Le préfiltre doit être entièrement sec avant d'être installé dans le boîtier.

5. Posez le préfiltre, fermez le couvercle du préfiltre et serrez les colliers.

Si le préfiltre ne peut pas être entièrement nettoyé ou s'il est endommagé, il doit être remplacé. Reportez-vous à *Pour remplacer le préfiltre à la page 72.*

## Remplacement du filtre



**AVERTISSEMENT:** Utilisez un équipement de protection personnelle. Reportez-vous à la section *Équipement de protection individuel à la page 62.* De la poussière dangereuse peut être libérée dans l'air lors du remplacement du filtre.



**AVERTISSEMENT:** Avant le remplacement du filtre, arrêtez le produit et débranchez l'alimentation électrique.

## Pour remplacer le préfiltre

1. Retirez le préfiltre. Reportez-vous à la section *Nettoyage du préfiltre avec de l'eau à la page 71.*
2. Mettez le filtre à air dans un sac en plastique avec précaution.
3. Mettez correctement au rebut le sac en plastique. Reportez-vous aux réglementations locales.
4. Installez un préfiltre neuf.

Si l'aspiration n'est pas suffisante lors de l'installation d'un préfiltre neuf, il est nécessaire de remplacer le filtre HEPA. Reportez-vous à la section *Pour remplacer le filtre HEPA à la page 72.*

## Pour remplacer le filtre HEPA

Le filtre HEPA ne peut pas être nettoyé. Il est toujours nécessaire de le remplacer par un filtre HEPA neuf. Utilisez uniquement des filtres HusqvarnaHEPA.



**AVERTISSEMENT:** Seul un centre d'entretien agréé ou un organisme agréé est autorisé à remplacer le filtre HEPA.



**AVERTISSEMENT:** Utilisez toujours un équipement de protection individuel ; reportez-vous à *Équipement de protection individuel à la page 62.*



**AVERTISSEMENT:** Les particules présentes dans le filtre HEPA sont dangereuses pour la santé.



**AVERTISSEMENT:** Assurez-vous que le filtre HEPA n'est pas percé. Un filtre HEPA endommagé représente un risque pour la santé.



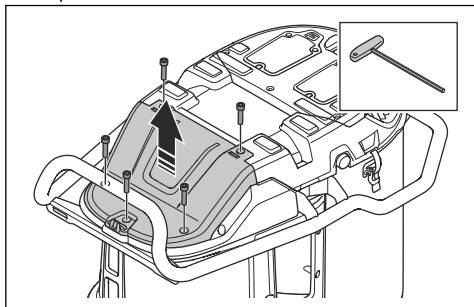


**AVERTISSEMENT:** N'installez pas un filtre HEPA usagé. Si vous installez un filtre HEPA usagé, des fuites et une diminution de l'efficacité de la filtration peuvent se produire.

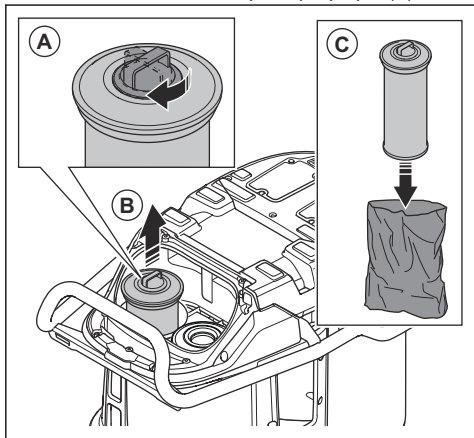


**REMARQUE:** Ne touchez pas la surface interne du filtre HEPA. Cela peut endommager le filtre HEPA.

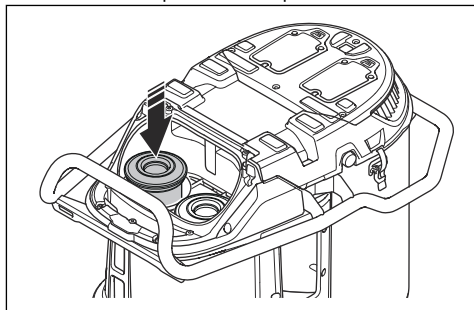
1. Déposez les 6 vis et le couvercle du filtre HEPA.



2. Fixez le cache-poussière (A) et retirez le filtre HEPA. Placez-le dans un sac en plastique propre (C).



3. Mettez correctement au rebut le sac en plastique. Reportez-vous aux réglementations locales.
4. Installez un filtre HEPA neuf. Assurez-vous que le filtre HEPA est placé dans sa position finale.



5. Répétez les étapes 2 à 4 sur l'autre filtre HEPA.
6. Posez le couvercle du filtre HEPA et les 6 vis.

## Dépannage

### Schéma de dépannage

Problème	Cause	Solution
Le moteur s'arrête immédiatement après le démarrage ou ne démarre pas.	Alimentation électrique absente.	Branchez le produit à une alimentation électrique.
	Le cordon d'alimentation est défectueux.	Faites réparer le produit par un atelier de réparation homologué.
	Il y a un court-circuit dans le produit.	Faites réparer le produit par un atelier de réparation homologué.
	Le filtre HEPA est endommagé ou n'est pas installé (/).	Remplacez ou installez le filtre HEPA.
	Tension d'alimentation trop élevée.	Assurez-vous que l'alimentation électrique utilisée est correcte.
	Température ambiante trop élevée.	Assurez-vous que la température ambiante se trouve dans la plage spécifiée lorsque vous utilisez le produit.
	Le ventilateur est cassé ou débranché.	Faites réparer le produit par un atelier de réparation homologué.
Le moteur est allumé mais il n'y a pas d'aspiration.	Le tuyau d'extraction de poussière n'est pas correctement branché.	Branchez le tuyau d'extraction de poussière.
	Le tuyau d'extraction de poussière est obstrué.	Nettoyez le tuyau d'extraction de poussière.
	Il n'y a pas de sac Longopac.	Installez une cassette Longopac.
	Le Longopac n'est pas fermé à l'aide d'un serre-câble.	Fixez un serre-câble.
L'aspiration n'est pas suffisante.	Tension d'alimentation trop faible.	Assurez-vous que l'alimentation électrique utilisée est correcte.
	Il y a un trou dans le tuyau d'extraction de poussière.	Remplacez le tuyau d'extraction de poussière.
	Le préfiltre est colmaté.	Retirez les particules de poussière du préfiltre. Nettoyez ou remplacez-le si nécessaire.
	Le filtre HEPA est colmaté.	Remplacez le filtre HEPA. Reportez-vous à la section <i>Pour remplacer le filtre HEPA à la page 72</i> .
	Le capot supérieur est desserré.	Fermez complètement le capot supérieur.
	Les joints sont cassés.	Remplacez les joints.
La poussière s'évacue dans l'air à partir du moteur.	Les filtres sont mal installés ou endommagés.	Installez les filtres correctement. Remplacez les filtres endommagés.
Le produit émet un bruit inhabituel.	N/A	Faites réparer le produit par un atelier de réparation homologué.

## Codes d'erreur





Code d'erreur	Erreur	Description	Cause(s) probable(s)	Action(s)
2	Filtre HEPA absent.	Le produit s'arrête/ne démarre pas. + voyant d'avertissement sur l'IHM. + symbole HEPA sur l'IHM.	Le filtre HEPA est absent ou endommagé.	Montez ou remplacez le filtre HEPA.
3	Tension d'alimentation faible.	Faibles performances (débit d'air/dépression faible).	Tension de réseau/d'alimentation trop faible.	Assurez-vous que l'alimentation électrique/le réseau utilisé(e) est correct(e).
4	Tension d'alimentation élevée.	Le produit s'arrête/ne démarre pas. + voyant d'avertissement sur l'IHM.	Tension de réseau/d'alimentation trop élevée.	Assurez-vous que l'alimentation électrique/le réseau utilisé(e) est correct(e).
			Mauvaise batterie utilisée.	Utilisez une batterie appropriée.
5	Erreur du capteur de pression principal.	Le voyant de préfiltre clignote en rouge.	Le flexible à dépression est débranché ou obstrué.	Contactez un agent d'entretien agréé.
			L'unité de commande est endommagée.	
6	Température du circuit imprimé complet trop élevée.	Le produit s'arrête/ne démarre pas. + voyant d'avertissement sur l'IHM.	Température ambiante trop élevée.	N'utilisez pas le produit en dehors de la plage de températures spécifiée.
7	Dysfonctionnement du ventilateur.	Le produit s'arrête/ne démarre pas. + voyant d'avertissement sur l'IHM.	Le ventilateur est endommagé ou débranché.	Contactez un agent d'entretien agréé.
			L'unité de commande est endommagée.	
9	Communication à un câble non détectée.	Le produit s'arrête/ne démarre pas. + voyant d'avertissement sur l'IHM.	Câble débranché ou endommagé.	Contactez un agent d'entretien agréé.

### Avertissements sur le panneau de commande



**REMARQUE:** N'utilisez pas le produit si le voyant rouge s'allume. Si la solution initiale ne résout pas l'erreur, contactez

un atelier de réparation agréé avant de réutiliser le produit.

Symbole	Puissance	Cause	Solution
	Un avertisseur sonore retentit et le voyant rouge s'allume.	Le préfiltre est colmaté.	Effectuez la procédure de purge du filtre. Reportez-vous à <i>Procédure de purge du filtre à la page 67</i> .
		Le mauvais tuyau est fixé ou sélectionné dans le panneau de commande.	Fixez le tuyau approprié ou sélectionnez la dimension de tuyau correcte sur le panneau de commande.
		Le tuyau est endommagé ou comprimé.	Remplacez le flexible.
		Le tuyau est colmaté.	Nettoyez le tuyau et éliminez l'obstruction.
	Le voyant rouge clignote.	Le flexible à dépression principal est débranché.	Faites réparer le produit par un atelier de réparation homologué.
	Le voyant rouge clignote et le triangle d'avertissement s'allume.	Les filtres HEPA sont absents, pleins ou endommagés.	Vérifiez les filtres HEPA et remplacez-les si nécessaire. Reportez-vous à <i>Pour remplacer le filtre HEPA à la page 72</i> .
	Le voyant rouge s'allume.	L'unité de commande est endommagée.	Faites réparer le produit par un atelier de réparation homologué.
		La température ambiante est trop élevée.	Assurez-vous que la température ambiante se trouve dans la plage spécifiée lorsque vous utilisez le produit.
		Avertissement.	Consultez le dossier d'exploitation de votre application Husqvarna Fleet Services™ ou contactez un atelier de réparation agréé.
	Le voyant jaune s'allume.	Les filtres HEPA sont presque pleins.	Remplacez les filtres HEPA si nécessaire. Reportez-vous à <i>Pour remplacer le filtre HEPA à la page 72</i> .
	Le voyant rouge s'allume.	Les filtres HEPA sont pleins.	Remplacez les filtres HEPA. Reportez-vous à <i>Pour remplacer le filtre HEPA à la page 72</i> .

## Transport, entreposage et mise au rebut

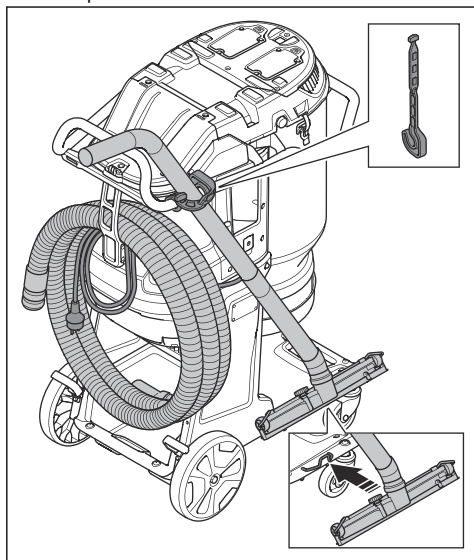
### Déplacement du produit

Veillez à utiliser un véhicule fermé pendant le transport du produit.

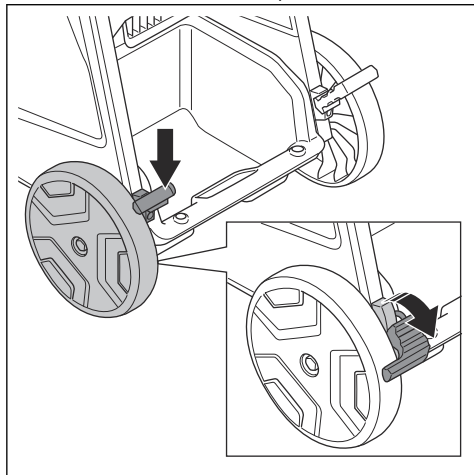
Assurez-vous que la soupape d'admission est fermée.  
Assurez-vous que les capuchons pare-poussière se trouvent sur les tuyaux.

1. Assurez-vous que le Longopac est installé sur le produit.
2. Assurez-vous que le sac Longopac est vide.

- Fixez fermement le cordon d'alimentation, le tuyau d'extraction de poussière et le tuyau de la poignée sur le produit.

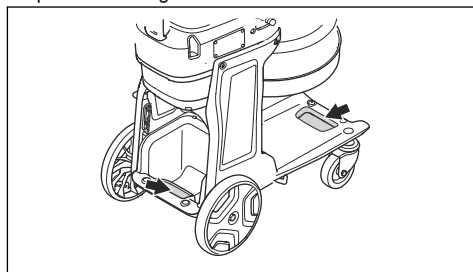


- Verrouillez les roues de transport.



- Soulevez le produit ; reportez-vous à *Levage du produit* à la page 77.

- Fixez fermement le produit au véhicule de transport afin d'éviter tout dommage ou accident. Utilisez les points d'arrimage.



### Levage du produit



**AVERTISSEMENT:** Assurez-vous que l'équipement et les sangles de levage présentent la spécification correcte afin de soulever le produit en toute sécurité. La plaque signalétique sur le produit indique le poids du produit, reportez-vous à *Plaque d'identification* à la page 58.



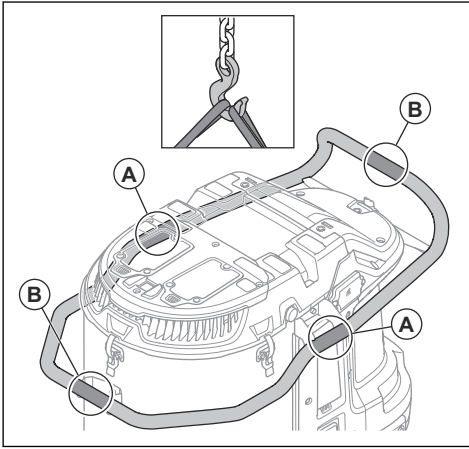
**AVERTISSEMENT:** Demandez de l'aide si vous avez des doutes concernant le levage des équipements lourds.



**AVERTISSEMENT:** Ne soulevez pas le produit lorsque de la poussière est présente dans le réservoir ou dans le sac . Ne soulevez pas le produit avec un poids supplémentaire sur ou dans le produit.

- Effectuez la procédure de purge du filtre avant de soulever le produit. Reportez-vous à *Procédure de purge du filtre* à la page 67.

2. Fixez l'équipement de levage à l'aide de sangles de levage aux points de levage (A) ou aux points de levage (B).



**AVERTISSEMENT:** N'utilisez pas de crochets métalliques, de chaînes ou d'autres équipements de levage dont les bords sont irréguliers et qui peuvent endommager l'anneau de levage. Seules des sangles de levage souples sont autorisées.

## Stockage du produit



**REMARQUE:** Rangez le produit en intérieur, à l'écart des éléments extérieurs.

- Remisez le produit à une température ambiante comprise entre -10 °C/14 °F et 40 °C/104 °F.
- Avant le remisage, effectuez la procédure de purge du filtre et mettez le Longopac au rebut avec le matériau collecté.
- Débranchez le produit de la source d'alimentation.
- Placez le produit dans un endroit sec et à l'abri du gel.
- Placez le produit dans une zone fermée à clé. Mettez le produit hors de portée des enfants ou d'autres personnes non autorisées.

## Mise au rebut du produit

- Respectez les consignes locales de recyclage et la réglementation en vigueur.
- Lorsque vous n'utilisez plus le produit, renvoyez-le au concessionnaire Husqvarna ou mettez-le au rebut dans une déchetterie.

## Caractéristiques techniques

### Caractéristiques techniques

Caractéristiques	DE 130 H [RU]	DE 130 H [JE/RESTE DU MONDE]	DE 130 H [AU]	DE 130 H [BR]	DE 130 H [JP]
Tension nominale, V	110		220-240		100
Phase			1		
Fréquence, Hz			50-60		
Puissance maximale, W	2400		3 000		1500
Courant maximal, A	20		13		15
Débit d'air maximal de la turbine, m <sup>3</sup> /h / cfm	470/277		490/288		380/224
Débit d'air maximal de l'extracteur, m <sup>3</sup> /h / cfm	410/241		415/244		320/188
Dépression maximale de la turbine, mbar/psi	245/3,6		275/4,0		170/2,5
Longueur du tuyau d'extraction de poussière, m			10		
Diamètre du tuyau d'extraction de poussière, mm			63		
Zone du préfiltre, m <sup>2</sup>			2,4		
Efficacité du filtre HEPA			HEPA 13		
Surface HEPA totale, m <sup>2</sup>			2,4		
Système de collecte de la poussière, type			Longopac		
Mécanisme de nettoyage de filtre			Impulsion automatique		
Poids, kg			47		
Niveau de puissance acoustique me- suré L <sub>WA</sub> dB(A) <sup>7</sup>			94,8		
Niveau de pression sonore L <sub>PA</sub> à l'oreille de l'utilisateur, dB(A) <sup>8</sup>			78,5		
Niveau de vibrations, A <sub>n</sub> en m/s <sup>29</sup>			≤2,5		
Classe de protection			IP55		

<sup>7</sup> Émissions sonores dans l'environnement comme puissance acoustique (LWA) selon la norme CEI/EN 60335-2-69. Incertitude kWA 2 dB.

<sup>8</sup> Niveau de pression sonore conformément à la norme CEI/EN 60335-2-69. Incertitude KPA 2 dB.

<sup>9</sup> Niveau de vibrations conformément à la norme CEI/EN 60335-2-69. Les données reportées pour le niveau de vibrations montrent une dispersion statistique typique (déviations standard) de 1 m/s<sup>2</sup>.

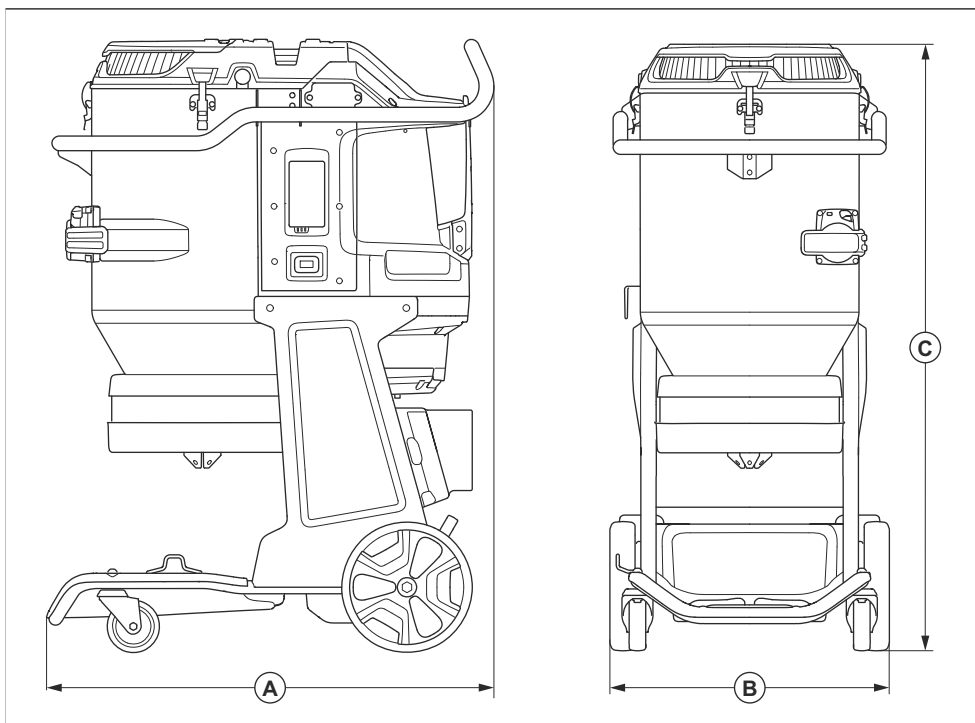
Caractéristiques	DE 130 H [RU]	DE 130 H [UE/RESTE DU MONDE]	DE 130 H [AU]	DE 130 H [BR]	DE 130 H [JP]
Connexion secteur (type)	2P+G 4H 32 A	Schuko CEE 7/7	AS/NZS 3112	NBR 14136	JIS 8303 YP 12P

## Connectivité intégrée

**Remarque:** Cette pièce s'applique uniquement aux produits fournis avec une connectivité intégrée.

Spectre radio de la technologie BLE	
Bandes de fréquence de l'outil, GHz	2,402-2,480
Puissance de radiofréquence maximale transmise, dBm/mW	4/2,5

## Dimensions du produit





<b>A</b>	Longueur, mm/po.	855/34
<b>B</b>	Largeur, mm/po	542/21
<b>C</b>	Hauteur, mm/po	1175/46

---

## Déclaration de conformité

---

### Déclaration de conformité UE

Nous, **Husqvarna AB**, SE-561 82 Huskvarna, Suède,  
tél : +46-36-146500, déclarons sous notre entière  
responsabilité que le produit :

<b>Description</b>	Aspirateur industriel
<b>Marque</b>	HUSQVARNA
<b>Type/Modèle</b>	DE 130 H
<b>Identification</b>	Numéros de série à partir de 2023 et ultérieurs

est entièrement conforme à la réglementation et aux  
directives de l'UE suivantes :

<b>Directive/Réglementation</b>	<b>Description</b>
2006/42/EC	« relative aux machines »
2014/53/EU	« relative aux équipements radio »
2011/65/EU	« relative à la limitation de l'utilisation de certaines substances dangereuses »

et que les normes et/ou les spécifications techniques  
suivantes sont appliquées ;

EN ISO 12100:2010

EN 60335-1:2012+AC:2014+A11:2014+A13:2017

EN 60335-2-69:2012

EN 61000-3-2:2014

EN 61000-3-3:2013

ETSI EN 300 328 V2.1.1

ETSI EN 301 489-1 V2.2.3

ETSI EN 301 489-17 V3.2.0

Partille, 2023-06-07



Martin Huber

Directeur R&D, surfaces et sols en béton

Husqvarna AB, division Construction

Responsable de la documentation technique

---

## Marques déposées

---

La marque et les logos *Bluetooth*<sup>®</sup> sont des marques déposées appartenant à *Bluetooth SIG, inc.* , et toute utilisation de ces marques par Husqvarna est régie par une licence.

---

## Inhoud

---

Inleiding.....	84	Vervoer, opslag en verwerking.....	104
Veiligheid.....	87	Technische gegevens.....	107
Werking.....	91	Verklaring van overeenstemming.....	109
Onderhoud.....	97	Geregistreerde handelsmerken.....	110
Probleemoplossing.....	102		

---

## Inleiding

---

### Productbeschrijving

Het product is een enkelfasige stofafzuiger. Er stroomt stoffige lucht door de aanzuigslang in de inlaatklep. Het product scheidt de stofdeeltjes van de lucht. De deeltjes vallen in de plastic zak aan de onderkant van het product.

### Gebruik

---



**WAARSCHUWING:** Verzamel geen ontstekingsbronnen, hete deeltjes,

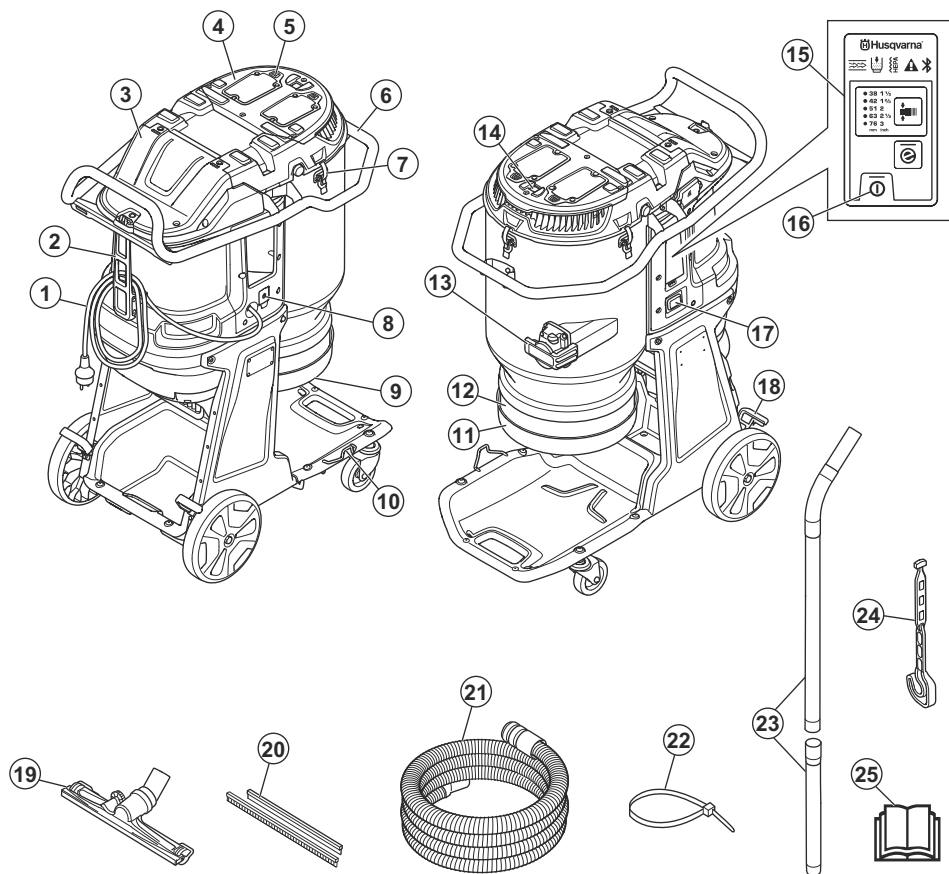
vloeistoffen, explosief materiaal en instabiele of pyrofore deeltjes.

---

Dit product is uitsluitend bedoeld voor professioneel gebruik. Het product wordt gebruikt voor het verzamelen en verwijderen van droog materiaal van machines en apparaten. Het materiaal kan gevaarlijk en schadelijk zijn voor de gezondheid, zie stofklasse H in EN 60335-2-69.

Gebruik het product niet voor andere taken. Gebruik het product uitsluitend met accessoires die door de fabrikant zijn goedgekeurd.

## Productoverzicht



- |  |                           |
|--|---------------------------|
| 1. Kabel                                     | 16. ON/OFF-knop           |
| 2. Bevestiging voor kabel en stofzuigerslang | 17. Urenteller            |
| 3. HEPA filterkap                            | 18. Wielrem               |
| 4. Voorfilterkap                             | 19. Vloerzuigmond         |
| 5. Doorblaasknop filter                      | 20. Rubberen strips       |
| 6. Handgreep                                 | 21. Stofzuigerslang       |
| 7. Kliemsluiting voor de hendelbuis          | 22. Kabelbinder           |
| 8. Hoofdschakelaar                           | 23. Hendel pijp           |
| 9. Rubberen conus voor stofvrijgave          | 24. Houder hendel pijp    |
| 10. Vloerzuigmondhouder                      | 25. Bedieningshandleiding |
| 11. Longopac houder                          |                           |
| 12. Longopac                                 |                           |
| 13. Deksel aanzuigopening                    |                           |
| 14. Automatische pulsknop                    |                           |
| 15. Bedieningspaneel                         |                           |

## Symbolen op het product



**WAARSCHUWING:** Dit product kan gevaarlijk zijn en ernstig of fataal letsel toebrengen aan de gebruiker of anderen. Wees voorzichtig en gebruik het product op de juiste manier.



Lees de handleiding goed door en zorg dat u de instructies hebt begrepen voordat u het product gebruikt.



Gebruik gehoorbescherming, oogbescherming en ademhalingsbescherming. Zie *Persoonlijke beschermingsuitrusting op pagina 90*.



Het elektrische massapunt op dit product is aangegeven met het massasymbool. Zie *Instructies voor geaard product op pagina 91*.



Dit product voldoet aan de geldende EG-richtlijnen.



Dit product voldoet aan geldende VK-regelgeving.



Dit apparaat is H-geclassificeerd en gecertificeerd door een derde partij conform IEC-60335-2-69, EN-60335-2-69 bijlage AA.

Dit apparaat bevat schadelijk stof. Leeg- en onderhoudswerkzaamheden, waaronder het verwijderen van de stofvangbakken, mogen uitsluitend worden uitgevoerd door deskundigen die een geschikte beschermende uitrusting dragen. Gebruik de stofzuiger nooit zonder het complete filtratiesysteem.



Het product mag niet worden verwerkt als huishoudelijk afval. Lever het in bij een erkende verwijderingslocatie voor elektrische en elektronische apparatuur.



Als het product beschikt over Bluetooth® draadloze technologie, staat het Bluetooth® symbool op het product. Zie *Draadloze Bluetooth®-technologie op pagina 92*.

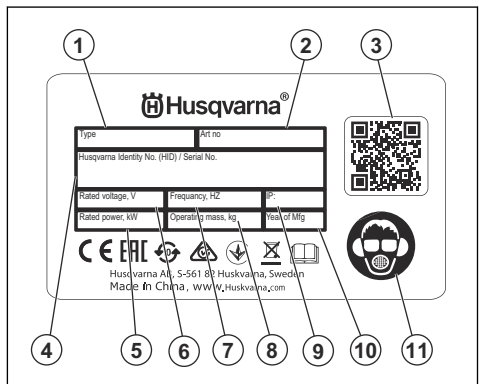
**Let op:** Overige op het product aangebrachte symbolen/plaatjes verwijzen naar specifieke eisen aan certificering voor bepaalde markten.

## Geïntegreerde connectiviteit

De cloudoplossing voor beheer van bedrijfsmiddelen Husqvarna Fleet Services™ geeft de fleetmanager een overzicht van alle producten die zijn verbonden via geïntegreerde of aftermarketsensoren. De positie van de gateway of smartphone kan worden gebruikt om de locatie van verbonden producten aan te geven. De sensoren registreren gegevens zoals gebruiksduur, onderhoudsintervallen en meer. Download voor meer informatie over de cloudoplossing voor beheer van bedrijfsmiddelen Husqvarna Fleet Services™ de iOS- of Android-app Husqvarna Fleet Services™ via <https://apps.apple.com/se/app/husqvarna-fleet-services/id1334672726> of <https://play.google.com/store/apps/details?id=com.husqvarna.hfsmobile&hl=en>. Neem voor meer informatie contact op met uw Husqvarna-verkoopvertegenwoordiger.

Sommige modellen van dit product zijn verbonden via de geïntegreerde Husqvarna Fleet Services™-sensor met de functie Bluetooth Low Energy (BLE). Als u meer informatie wilt over het gebruik hiervan, raadpleeg dan *Geïntegreerde connectiviteit gebruiken met fleet op pagina 93*. Raadpleeg *Geïntegreerde connectiviteit op pagina 108* voor informatie over het radiospectrum van de BLE-technologie.

## Typeplaatje



1. Model
2. Artikelnummer
3. Scanbare code
4. Serienummer
5. Nominale vermogen of stroom (A)
6. Nominale spanning
7. Frequentie
8. Gewicht
9. IP-klasse

10. Bouwjaar

11. Persoonlijke beschermingsuitrusting

## Productaansprakelijkheid

Zoals uiteengezet in de wet voor productaansprakelijkheid zijn wij niet aansprakelijk voor schade die door ons product wordt veroorzaakt, indien:

- het product niet goed is gerepareerd.

- het product is gerepareerd met onderdelen die niet van de fabrikant afkomstig zijn, of onderdelen die niet zijn goedgekeurd door de fabrikant.
- het product een accessoire bevat dat niet afkomstig is van de fabrikant of niet is goedgekeurd door de fabrikant.
- het product niet is gerepareerd door een erkend servicepunt of door een erkende autoriteit.

---

## Veiligheid

---

### Veiligheidsdefinities

Waarschuwingen, voorzorgsmaatregelen en opmerkingen worden gebruikt om te wijzen op belangrijke delen van de handleiding.



**WAARSCHUWING:** Wordt gebruikt om te wijzen op de kans op ernstig of fataal letsel voor de gebruiker of omstanders wanneer de instructies in de handleiding niet worden gevolgd.



**OPGELET:** Wordt gebruikt indien er een risico bestaat op schade aan het product en andere eigendommen of aan de omgeving wanneer de instructies in de handleiding niet worden gevolgd.

**Let op:** Geven verdere informatie die nodig is in een bepaalde situatie.

### Algemene veiligheidsinstructies



**WAARSCHUWING:** Lees de volgende waarschuwingen voordat u het product gaat gebruiken.

- Dit product kan bij onvoorzichtig of onjuist gebruik een gevaarlijk gereedschap zijn. Dit product kan ernstig of fataal letsel toebrengen aan de gebruiker of anderen. Het is erg belangrijk dat u deze gebruiksaanwijzing leest en begrijpt voordat u dit product gaat gebruiken.
- Laat personen (waaronder kinderen) met beperkte fysieke, zintuiglijke of geestelijke capaciteiten het product niet gebruiken, tenzij ze begeleiding bij of aanwijzingen voor het gebruik van het product hebben ontvangen van een persoon die verantwoordelijk is voor hun veiligheid.
- Zorg ervoor dat u ervaring met en kennis over het product hebt voordat u het gaat gebruiken.
- Zorg ervoor dat alle bedieningselementen uit staan voordat u de voedingskabel uit het stopcontact haalt.
- U dient alle toepasselijke wet- en regelgeving in acht te nemen.

- De gebruiker en de werkgever van de gebruiker dienen op te hoogte te zijn van de risico's tijdens het gebruik van het product en moeten deze voorkomen.
- Zorg ervoor dat dit product alleen wordt gebruikt door personen die de inhoud van de gebruikershandleiding hebben gelezen en begrepen.
- Gebruik het product alleen als u voorafgaand aan gebruik training hebt ontvangen. Zorg ervoor dat alle gebruikers getraind worden.
- Laat het product niet door een kind bedienen.
- Het product mag alleen worden gebruikt door goedgekeurde personen.
- De gebruiker is verantwoordelijk indien ongelukken gebeuren met andere mensen of hun eigendommen.
- Gebruik het product nooit als u moe of ziek bent, of onder invloed van alcohol, drugs of medicijnen verkeert.
- Wees altijd voorzichtig en gebruik uw gezond verstand.
- Dit product produceert tijdens bedrijf een elektromagnetisch veld. Dit veld kan onder bepaalde omstandigheden de werking van actieve of passieve medische implantaten verstoren. Om het risico op ernstig of fataal letsel te verminderen, raden we personen met een medisch implantaat aan om contact op te nemen met hun arts en de fabrikant van het medische implantaat voordat ze dit product gebruiken.
- Houd het product schoon. Zorg ervoor dat u de aanduidingen en stickers duidelijk kunt lezen.
- Gebruik het product niet als het defect is.
- Breng geen wijzigingen aan dit product aan.
- Gebruik het product niet als de mogelijkheid bestaat dat andere personen wijzigingen aan het product hebben aangebracht.
- Gebruik het product niet zonder de nodige filters.
- Bewaar alle waarschuwingen en instructies.

### Veiligheid van het werkgebied

- **Zorg ervoor dat de werkplek schoon en goed verlicht is.** In rommelige of donkere gebieden gebeuren eerder ongelukken.
- **Gebruik het product niet in een explosiegevaarlijke omgeving, bijv. in de buurt van ontvlambare vloeistoffen, gassen of stof.** Het product creëert

vonken waardoor het stof of de dampen kunnen ontbranden.

- **Houd kinderen en omstanders op afstand wanneer u het product gebruikt.** U kunt de controle over het apparaat verliezen als u afgeleid wordt.

## Elektrische veiligheid



**WAARSCHUWING:** Stel het apparaat niet bloot aan regen of natte omstandigheden. Het risico van elektrische schok neemt toe als water een elektrisch apparaat binnendringt.

- **De stekker op de voedingskabel van het apparaat moet met het stopcontact overeenkomen. Wijzig de stekker niet. Gebruik geen adapterstekkers in combinatie met geaarde apparaten.** Ongewijzigde stekkers en overeenkomende stopcontacten verkleinen het risico op elektrische schokken.
- **Doe de stekker in een geschikt geaard stopcontact dat correct en veilig is geïnstalleerd en aan de lokale voorschriften voldoet. Als u twijfelt over de effectiviteit van de aarding van het stopcontact, laat er dan een gekwalificeerde specialist naar kijken.**
- **Vermijd lichamelijk contact met geaarde oppervlakken, zoals buizen, radiatoren, fornuizen en koelkasten.** Er is een verhoogd risico op elektrische schokken als uw lichaam geaard is.
- **Controleer of de voedingskabel niet in een plas water ligt.**
- **Controleer de voedingskabel van het apparaat regelmatig en laat hem door de fabrikant of diens vertegenwoordiger vervangen als er sprake van beschadiging is. Controleer verlengsnoeren regelmatig en vervang ze als er sprake van beschadiging is.**
- **Raak de voedingskabel of het verlengsnoer niet aan als ze tijdens het werken beschadigd raken. Haal de stekker uit het stopcontact.** Beschadigde voedingskabels of verlengsnoeren vormen een risico van elektrische schok.
- **Gebruik de kabel niet voor oneigenlijke doeleinden. Gebruik de kabel nooit om het apparaat aan te dragen, te trekken of om de stekker uit het stopcontact te trekken. Houd de kabel uit de buurt van hitte, olie, scherpe randen en bewegende delen.** Beschadigde of in de knoop geraakte kabels verhogen het risico op elektrische schokken.
- **Gebruik uitsluitend een verlengsnoer dat geschikt is voor gebruik buitenshuis wanneer u buiten werkt met een elektrisch apparaat.** Het gebruik van een verlengsnoer dat geschikt is voor gebruik buitenshuis verlaagt het risico op elektrische schokken.
- **Schakel het apparaat uit en haal de stekker uit het stopcontact in het geval dat de elektriciteitsvoorziening wordt onderbroken.**
- **Gebruik het apparaat nooit wanneer het vies of nat is.** Stof (met name stof van geleidend materiaal) of

vocht dat zich aan het oppervlak van het apparaat hecht, kan onder ongunstige omstandigheden tot een elektrische schok leiden. **Vieze of stoffige apparaten moeten daarom regelmatig door een erkende servicewerkplaats worden gecontroleerd, met name als deze vaak voor werkzaamheden op geleidend materiaal worden gebruikt.**

- **Als gebruik van een apparaat in een vochtige omgeving onvermijdelijk is, gebruik dan een netvoeding met aardlekschakelaar (RCD).** Het gebruik van een aardlekschakelaar vermindert het risico op elektrische schokken.
- **Voer periodiek elektrische veiligheidstests op het product uit. Neem voor de correcte procedure de lokale voorschriften in acht.**

## Persoonlijke veiligheid

- **Wees altijd alert, kijk wat u doet en gebruik uw gezonde verstand wanneer u het product gebruikt. Gebruik het product niet als u moe bent of onder invloed bent van drugs, alcohol of medicijnen.** Eén moment van onoplettendheid tijdens het gebruik van het product kan ernstig persoonlijk letsel tot gevolg hebben.
- **Maak altijd gebruik van persoonlijke beschermingsmiddelen. Draag altijd oogbescherming.** Beschermingsmiddelen zoals een stofmasker, veiligheidsschoenen met antislipprofiel, een veiligheidshelm of gehoorbescherming in relevante werkomstandigheden beperken letsel.
- **Voorkom een onbedoelde start. Zorg ervoor dat de schakelaar in de uit-stand staat voordat u de stekker in het stopcontact steekt en voordat u het apparaat oppakt of draagt.** Het dragen van het product met uw vinger op de schakelaar of het onder spanning zetten van het product waarvan de schakelaar op aan staat, kan makkelijk leiden tot ongelukken.
- **Verwijder eventuele (instel)sleutels voordat u het product inschakelt.** Een sleutel die is bevestigd aan een draaiend onderdeel van het product kan persoonlijk letsel tot gevolg hebben.
- **Voorkom overstrekken. Zorg dat u te allen tijde stevig en in balans staat.** Hierdoor hebt u een betere controle over het product in onverwachte situaties.
- **Draag geschikte kleding. Draag geen losse kleding of sieraden. Houd uw haar en kleding uit de buurt van bewegende onderdelen.** Losse kleding, sieraden of lang haar kunnen verstrikt raken in bewegende onderdelen.
- **Als de mogelijkheid bestaat voor het opvangen van stof moet u ervoor zorgen dat deze is aangesloten en op de juiste wijze wordt gebruikt.** Het gebruik van stofopvang kan stofgerelateerde gevaren beperken.
- **Laat de vertrouwdheid met de door u gebruikte apparaten door het frequente gebruik ervan niet toe leiden dat u de veiligheidsprincipes negeert.** Een onzorgvuldige handeling kan binnen een fractie van een seconde leiden tot ernstig letsel.



## Gebruik en onderhoud van het product

- **Forceer het product niet. Gebruik het juiste product voor de toepassing.** Het juiste product voert de werkzaamheden waarvoor het is ontworpen beter en veiliger uit.
- **Gebruik het product niet als de On/Off-schakelaar niet werkt.** Producten die niet bediend kunnen worden met de schakelaar zijn gevaarlijk en moeten gerepareerd worden.
- **Haal de stekker uit het stopcontact en, indien mogelijk, van het elektrische gereedschap voordat u aanpassingen maakt, accessoires verwisselt of het product opbergt.** Dergelijke preventieve veiligheidsmaatregelen verlagen het risico op het onbedoeld starten van het product.
- **Berg het product dat u niet nodig hebt op buiten het bereik van kinderen en laat personen die onbekend zijn met het product of deze instructies niet werken met het product.** Het product is gevaarlijk in handen van ongetrainde gebruikers.
- **Onderhoud het product en de accessoires. Controleer op onjuiste montage of vastlopen van bewegende delen, gebroken onderdelen en andere condities die de werking van het product kunnen beïnvloeden. Als het product is beschadigd, moet u het laten repareren voordat u het gebruikt.** Veel ongelukken worden veroorzaakt door slecht onderhouden producten.
- **Houd snijgereedschappen scherp en schoon.** Goed onderhouden snijgereedschappen met scherpe snijranden zullen minder gauw vastlopen en zijn eenvoudiger onder controle te houden.
- **Gebruik het product, de accessoires, gereedschapsbits en dergelijke in overeenstemming met deze instructies en houd hierbij rekening met de werkomstandigheden en het type kius dat moet worden uitgevoerd.** Als u het product voor andere toepassingen gebruikt dan waarvoor het is bedoeld, kan er een gevaarlijke situatie ontstaan.
- **Houd de handgrepen en grijppoppervlakken droog, schoon en vrij van olie en vet.** Als handgrepen en grijppoppervlakken glad zijn, kan dit ervoor zorgen dat het gereedschap in onverwachte situaties niet veilig kan worden gehanteerd en bediend.

## Service

- Laat alleen een erkend servicecentrum onderhoud met goedgekeurde reserveonderdelen uitvoeren. Zo blijft het product veilig.
- Zie *Onderhoudsschema op pagina 98* voor meer informatie.

## Veiligheidsinstructies voor montage



**WAARSCHUWING:** Lees de volgende waarschuwingen voordat u het product monteert.

- Ongeautoriseerde wijzigingen en/of accessoires kunnen ernstig of dodelijk letsel aan de gebruiker of anderen toebrengen.
- Gebruik uitsluitend opzetstukken zoals beschreven in deze handleiding. Gebruik alleen door de fabrikant aanbevolen opzetstukken.
- Zorg voor een stevig montageoppervlak, zodat het product niet kan omvallen. Risico van lichamelijke letsel en materiële schade.
- Pas op, want de klemsluitingen kunnen de gebruiker verwonden tijdens het monteren van het product.

## Veiligheidsinstructies voor bediening



**WAARSCHUWING:** Lees de volgende waarschuwingen voordat u het product gaat gebruiken.

- Bedien het product niet als de voedingskabel of de stekker beschadigd is.
- Als het product niet correct werkt, op de grond valt, beschadigd is, buiten is achtergelaten of in het water valt, moet u het stoppen. Laat onderhoud aan het product uitvoeren door een erkende servicewerkplaats.
- Zorg ervoor dat de motor en al zijn bedieningselementen uit staan voordat u de stekker uit het stopcontact haalt.
- Haal de stekker uit het stopcontact wanneer het product niet gebruikt wordt, vóór onderhoudswerkzaamheden of voordat u bij het product weggaat.
- Trek niet aan de voedingskabel om deze uit het stopcontact te halen. Trek altijd aan de stekker om deze uit het stopcontact te halen.
- Bedien het product niet bij temperaturen onder -10 °C.
- Bedien het product niet als er een explosiegevaar bestaat of in gebieden waar zich ontvlambare vloeistoffen of materialen bevinden.
- Plaats geen voorwerpen in de openingen.
- Gebruik het apparaat niet als een opening is geblokkeerd. Verwijder stof, pluis, haar of ander materiaal dat de luchtstroom kan verminderen.
- Gebruik het product niet of trek niet aan de stekker met natte handen.
- Houd haar, wijde kleding en alle lichaamsdelen uit de buurt van openingen en bewegende delen.
- Gebruik het product heel voorzichtig op trappen om schade en letsel te voorkomen als het product valt.
- Zorg er altijd voor dat u de motor in een noodsituatie snel kunt stoppen.
- Vergrendel altijd de transportwielen als u op een ruw oppervlak werkt.
- Gebruik het product niet zonder dat een Longopac-zak en de filters zijn geïnstalleerd. Vervang de Longopac-zak en de filters zoals beschreven in deze handleiding.

- Wanneer het product een ongebruikelijk trillings- of geluidsniveau vertoont, stop het product dan onmiddellijk en haal de stekker uit het stopcontact. Controleer het product op schade. Ongewone trilling is over het algemeen een voorteken van schade. Repareer schade of laat een erkende servicewerkplaats de reparatie uitvoeren.
- Gebruik altijd goedgekeurde accessoires. Neem voor meer informatie contact op met uw Husqvarna-vertegenwoordiger.

- Voer alleen onderhoud uit zoals beschreven in deze bedieningshandleiding. Laat een goedgekeurde servicewerkplaats alle andere onderhoudswerkzaamheden uitvoeren.
- Als een vervanging van de voedingskabel noodzakelijk is, moet deze worden uitgevoerd door de fabrikant of de werkplaats van de fabrikant, om veiligheidsrisico's te voorkomen.
- Laat een erkende servicewerkplaats regelmatig onderhoud aan het product uitvoeren.

## Persoonlijke beschermingsuitrusting



**WAARSCHUWING:** Lees de volgende waarschuwingen voordat u het product gaat gebruiken.

- Draag tijdens het gebruik van het product altijd goedgekeurde persoonlijke beschermingsuitrusting. Persoonlijke beschermingsuitrusting kunnen niet alle risico's uitsluiten maar kunnen de ernst van eventueel letsel helpen beperken. Vraag uw dealer u te helpen bij het kiezen van de juiste beschermingsuitrusting.
- Controleer regelmatig de toestand van uw persoonlijke beschermingsmiddelen.
- Draag een goedgekeurde veiligheidshelm.
- Gebruik goedgekeurde gehoorbescherming.
- Gebruik goedgekeurde ademhalingsbescherming met klasse P2 of hoger.
- Gebruik goedgekeurde oogbescherming.
- Draag veiligheidshandschoenen.
- Draag veiligheidsschoenen.



**WAARSCHUWING:** Lees de volgende waarschuwingen voordat u het product gaat gebruiken.

- Gebruik het product nooit als de veiligheidsonderdelen defect zijn! Als uw product niet door alle controles komt, neem dan contact op met uw servicewerkplaats voor reparatie.
- U mag het product niet gebruiken als beschermingsplaten, afschermingen, veiligheidsschakelaars of andere veiligheidsvoorzieningen ontbreken of defect zijn.

## Gebruik altijd uw gezond verstand



**WAARSCHUWING:** Onder geen beding mag u wijzigingen aanbrengen in het oorspronkelijke ontwerp van het product zonder toestemming van de fabrikant. Gebruik altijd originele reserveonderdelen. Ongeautoriseerde wijzigingen en/of accessoires kunnen ernstig of dodelijk letsel aan de gebruiker of anderen toebrengen.

## Veiligheidsinstructies voor onderhoud



**WAARSCHUWING:** Lees de volgende waarschuwingen voordat u het product gaat gebruiken.

- Als het onderhoud niet correct en regelmatig wordt uitgevoerd, neemt de kans op letsel of schade aan het product toe.
- Maak altijd gebruik van persoonlijke beschermingsmiddelen. Zie *Persoonlijke beschermingsuitrusting op pagina 90*.
- Haal de stekker uit het stopcontact voordat u onderhoud uitvoert.
- Breng geen wijzigingen aan het product aan. Wijzigingen aan het product die niet zijn goedgekeurd door de fabrikant, kunnen leiden tot ernstig letsel of overlijden.
- Gebruik altijd originele accessoires en reserveonderdelen. Accessoires en wijzigingen die niet zijn goedgekeurd door de fabrikant, kunnen leiden tot ernstig letsel of overlijden.
- Vervang beschadigde, versleten of defecte onderdelen.



**WAARSCHUWING:** Het gebruik van producten zoals doorslijpmachines, slijppapparaten en boren om materiaal te schuren of te vormen, kan stof en dampen veroorzaken die gevaarlijke chemicaliën kunnen bevatten. Controleer de aard van het materiaal dat u wilt bewerken en draag een geschikt stofmasker.

Het is niet mogelijk om elke situatie die zich kan voordoen tijdens het gebruik van het product te vermelden. Wees altijd voorzichtig en gebruik uw gezond verstand. Vermijd situaties die uw capaciteiten te boven gaan. Als u na het lezen van deze instructies nog vragen hebt over de bedieningsprocedures dient u een expert te raadplegen voordat u verder gaat.

Aarzel niet om contact op te nemen met uw Husqvarna-vertegenwoordiger als u nog meer vragen hebt over het gebruik van het product. We zijn graag bereid om u te adviseren of u te helpen uw product op een efficiënte en veilige manier te gebruiken.

Laat het product regelmatig controleren door uw Husqvarna-servicewerkplaats en laat belangrijke aanpassingen en reparaties uitvoeren.

Husqvarna AB werkt voortdurend aan het verder ontwikkelen van zijn producten. Husqvarna behoudt zich het recht voor om zonder aankondiging vooraf

wijzigingen in vorm en uiterlijk door te voeren en zonder enige verplichting het ontwerp te wijzigen.

Alle informatie en gegevens in deze bedieningshandleiding waren van toepassing op de datum dat deze bedieningshandleiding ter perse ging.

---

## Werking

---

### Instructies voor geaard product



**WAARSCHUWING:** Een verkeerde aansluiting kan leiden tot elektrische schokken. Raadpleeg een erkende elektricien als u niet zeker weet of de contactdoos van het elektriciteitsnet correct geaard is.

Breng geen wijzigingen aan de stekker aan ten opzichte van de fabrieksspecificatie. Als de stekker of de voedingskabel beschadigd is of moet worden vervangen, raadpleeg dan uw Husqvarna-servicewerkplaats. Volg de lokale regel- en wetgeving.

Neem contact op met een erkende elektricien als u de instructies over het geaarde product niet volledig begrijpt.

Gebruik alleen geaarde verlengkabels voor buitengebruik met geaarde stekkers en geaarde contactdozen die geschikt zijn voor de stekker van het product.

Het product heeft een geaarde voedingskabel en een geaarde stekker. Sluit het product altijd aan op een geaard stopcontact. Dit vermindert het risico op elektrische schokken in geval van een storing.

Gebruik een nominaal eenfasig voedingscircuit bij dit product.

Gebruik geen adapters in combinatie met het product.

### Voordat u het product gebruikt

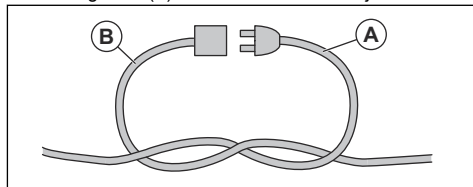


**WAARSCHUWING:** Om risico op letsel te voorkomen, dient u ervoor te zorgen dat u de productstekker volledig op de verlengkabel bevestigt. Controleer de bevestiging regelmatig terwijl u het product gebruikt om er zeker van te zijn dat de stekker volledig is bevestigd. Gebruik geen verlengkabel met een losse bevestiging.

**Let op:** De bedrijfsomstandigheden zijn 800 m/2625 ft maximale hoogte, temperatuur tussen -10 °C/14 °F tot +40 °C/104 °F en vochtigheid 85%.

**Let op:** Lees de bedieningshandleiding van de aangesloten apparatuur zorgvuldig door. Als er specifieke eisen of instellingen voor de stofzuiger worden gegeven, zorg er dan voor dat u zich hieraan houdt.

1. Lees de gebruikershandleiding zorgvuldig door en zorg dat u de instructies hebt begrepen.
2. Voer dagelijks onderhoud uit. Zie *Onderhoudsschema op pagina 98*.
3. Zorg ervoor dat het werkgebied schoon en droog is.
4. Maak altijd gebruik van persoonlijke beschermingsmiddelen. Zie *Persoonlijke beschermingsuitrusting op pagina 90*.
5. Controleer of het product correct is gemonteerd.
6. Zorg ervoor dat de frequentie en de spanning op het typeplaatje overeenkomen met de voedingsspanning. Dit geldt ook voor verlengkabels.
7. Bevestig tijdens bedrijf het productsnoer (A) aan de verlengkabel (B) zodat ze verbonden blijven.

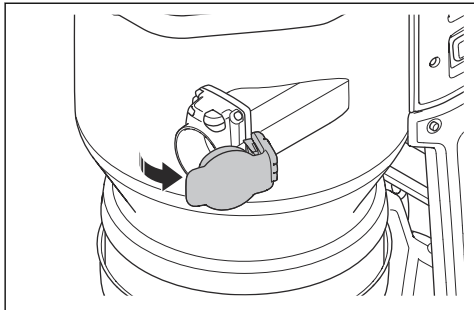


### De afzuigslang bevestigen

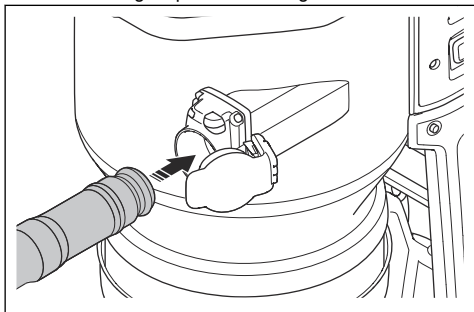


**WAARSCHUWING:** Gebruik een antistatische slang om antistatische effecten te voorkomen.

1. Open het slangstuk.



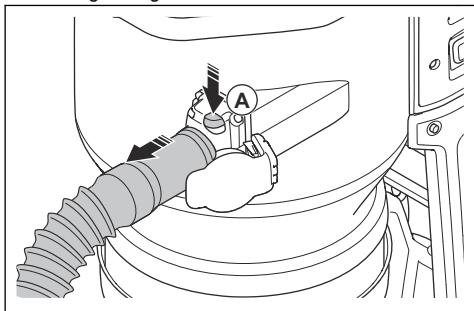
2. Doe de slangadapter in het slangstuk.



3. Plaats de slangadapter in de juiste positie door hem aan te drukken tot u een klik hoort.

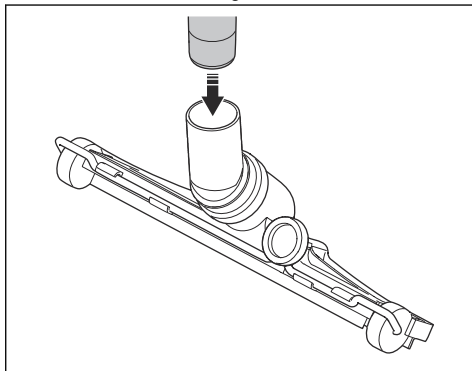
### De stofzuigerslang verwijderen

- Druk op de slangvergrendelknop (A) en trek aan de stofzuigerslang.

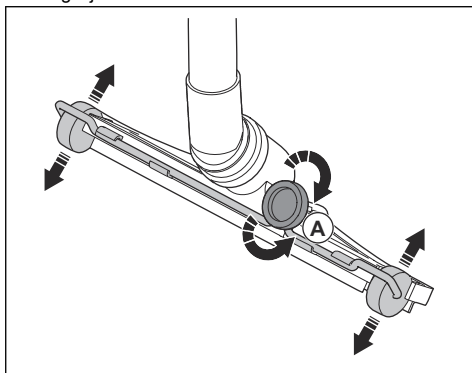


### De vloerzuigmond bevestigen en afstellen

1. Doe het uiteinde van de hendel helemaal in de schacht van de vloerzuigmond.



2. Draai de knop (A) aan de achterzijde van de vloerzuigmond om de wielen van de vloerzuigmond af te stellen. Verschillende oppervlakken en verschillende soorten stof en materiaal maken het nodig de wielen af te stellen voor een zo goed mogelijk resultaat.



### DraadlozeBluetooth®-technologie

Producten met ingebouwde draadloze Bluetooth®-technologie kunnen verbinding maken met mobiele apparaten en bieden extra functies vanaf het moment dat er Husqvarna verbinding wordt gemaakt.

Het symbool voor draadloze Bluetooth®-technologie gaat branden als uw mobiele apparaat is verbonden met het apparaat.



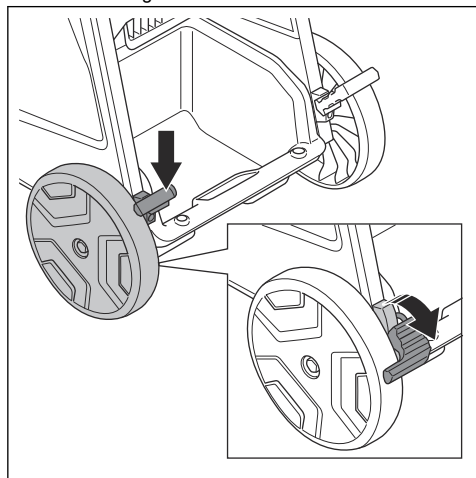
## De transportwielen vergrendelen en ontgrendelen

Voor gebruik op een oppervlak met helling moeten de transportwielen worden vergrendeld.



**WAARSCHUWING:** Voor veilige bediening moeten wielen en lagers schoon en stofvrij zijn. Zie *Onderhoudsschema op pagina 98*.

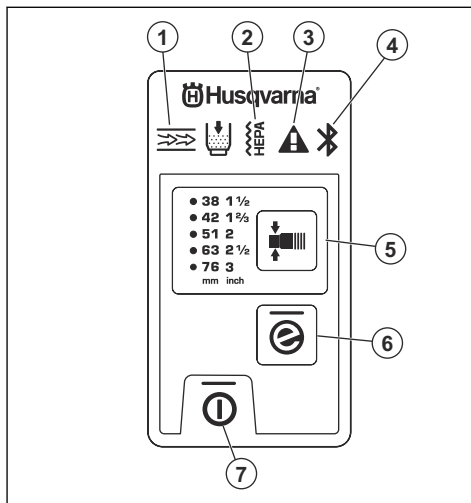
1. Houd het product in een stationaire en veilige positie.
2. Duw de wielrem aan beide kanten omlaag om de wielen te vergrendelen.



3. Trek aan de wielremmen om de wielen te ontgrendelen.

## Functies van het bedieningspaneel

Het bedieningspaneel bestuurt en bewaakt belangrijke functies en instellingen van het product. Zie *Waarschuwingen op het bedieningspaneel op pagina 103* voor oplossingen voor de waarschuwingen.



1. Het voorfilter is verstopt. Zie *De filterdoorblaasprocedure uitvoeren op pagina 95*.
2. Het HEPA-filter is verstopt, beschadigd of ontbreekt. Zie *Het HEPA-filter vervangen op pagina 100*.
3. Waarschuwing. Zie *Waarschuwingen op het bedieningspaneel op pagina 103*.
4. Bluetooth®-aansluiting. Zie *Geïntegreerde connectiviteit gebruiken met fleet op pagina 93*.
5. Functie diameter wijzigen voor slang, zie *De diameter van het mondstuk selecteren op pagina 94*.
6. e-Flow-knop, zie *e-Flow-functie op pagina 93*.
7. ON/OFF-knop

## Geïntegreerde connectiviteit gebruiken met fleet

**Let op:** Dit onderdeel is alleen van toepassing op producten die worden geleverd met geïntegreerde connectiviteit.

**Let op:** Radiotransmissie door de Bluetooth®-functie wordt ingeschakeld wanneer het product voor het eerst wordt aangesloten op het stopcontact en blijft daarna ingeschakeld.

1. Download de Husqvarna Fleet Services™-app voor iOS of Android.
2. Ga naar de Husqvarna Fleet Services-website <https://fleetservices.husqvarna.com> voor meer informatie.

## e-Flow-functie

Het product heeft een e-Flow-functie. Deze functie past automatisch de luchtstroom aan de werklast aan voor




optimale prestaties. Het product start altijd met de laatst gebruikte instellingen.

Zie *Functies van het bedieningspaneel op pagina 93* om de functie in of uit te schakelen.

## Waarschuwingssysteem luchtstroom

De luchtstroom in de aanzuigslang moet meer dan 20 m/s (66 ft/s) bedragen.

Raadpleeg voor de minimale luchtstroom met de geselecteerde slangdiameter de tabel.

Alarminiveaus luchtstroom					
					
mm	inch	m <sup>3</sup> /h	CFM		
21	5/6	25	15		
27	1	41	24		
32	1¼	58	34		
38	1 ½	82	48		
42	1 ⅔	100	59		
51	2	147	87		
63	2 ½	224	132		
76	3	327	192		

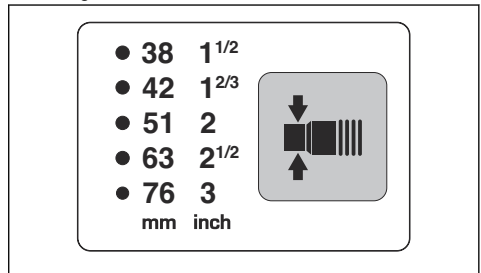
**Let op:** Als de luchtstroom minder dan 20 m/s (66 ft/s) bedraagt, klinkt het alarm en verschijnt er een waarschuwingssymbool. Zie *Waarschuwingen op het bedieningspaneel op pagina 103*.

## De diameter van het mondstuk selecteren

**Let op:** Als u niet de juiste slangdiameter selecteert, gaat het luchtstroomwaarschuwingssysteem aan.

Wanneer u het product start, wordt de laatst geselecteerde slangdiameter automatisch geselecteerd.

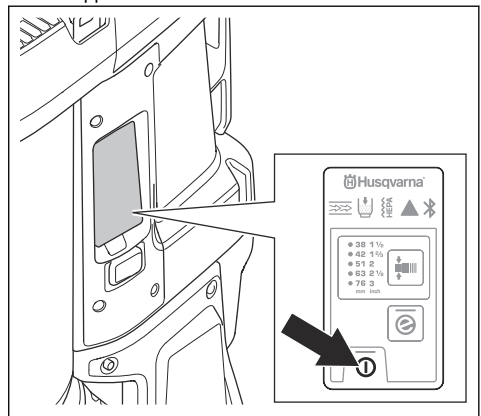
- Druk op de knop om de juiste slangdiameter te selecteren. De groene led toont welke diameter u hebt geselecteerd.



## Product starten en stoppen

**Let op:** Wacht 5 seconden nadat u het product hebt gestart om met volledige aanzuiging te beginnen. De aanzuiging is niet meteen na het starten op volledige capaciteit.

1. Zorg ervoor dat de frequentie en de spanning op het typeplaatje overeenkomen met de voedingsspanning.
2. Sluit het product aan op een geschikt stopcontact.
3. Druk op de "I" op de hoofdschakelaar om het product te starten. Zie *Productoverzicht op pagina 85*.
4. Druk op de On/Off-knop om de werking te starten en te stoppen.



5. Druk op de On/Off-knop om de werking te stoppen. De knop gaat uit wanneer u de werking stopt.
6. Druk op de "0" op de hoofdschakelaar om het product te stoppen.
7. Ontkoppel het product van de voeding.

## Urenteller

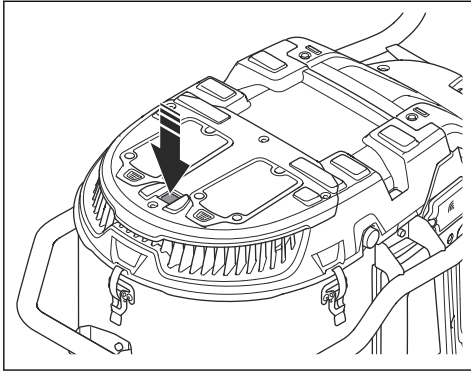
De urenteller toont hoeveel uur de motor in bedrijf is geweest. Raadpleeg *Productoverzicht op pagina 85* voor de locatie van de urenteller.

## Automatische pulsfunctie

De automatische pulsfunctie reinigt de filters. De automatische pulsfunctie is ingeschakeld als u het product start en tijdens het bedrijf. De automatische pulsfunctie is ook ingeschakeld tijdens 1 cyclus nadat u het product hebt gestopt. Aanbevolen wordt om het product te gebruiken met ingeschakelde automatische pulsfunctie. Voor sommige handelingen moet de automatische pulsfunctie worden gestopt. Zie *De automatische pulsfunctie stoppen en starten op pagina 95*.

## De automatische pulsfunctie stoppen en starten

1. Druk de automatische pulsknop in.



2. Zorg ervoor dat de groene led-indicator uitgaat.

Druk de automatische pulsknop opnieuw in om de automatische pulsfunctie te starten. Controleer of de groene led-indicator gaat branden.

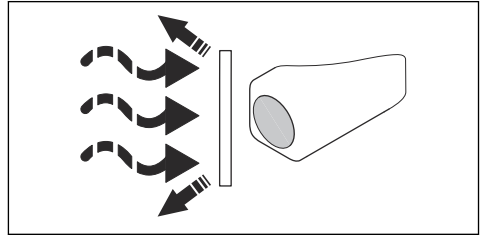
## De filterdoorblaasprocedure uitvoeren

In de volgende situaties moet een filterdoorblaasprocedure worden uitgevoerd:

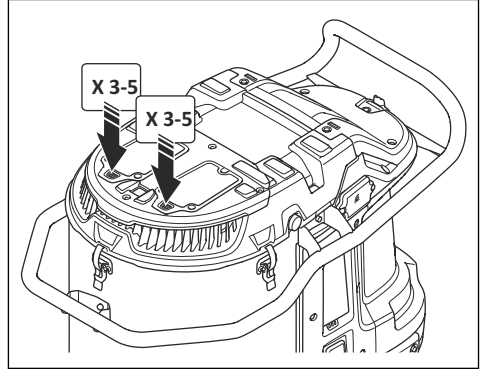
- Vóór een werkstop of aan het einde van een werkdag.
- Wanneer de afzuiging ontoereikend is.
- Vóór installatie van een nieuwe Longopac-zak.
- Wanneer het alarm voor een verstopt voorfilter afgaat. Zie de instructies op de sticker op de voorfilterkap.

1. Stop het product en onderbreek het bedrijf kortstondig zodat de stofdeeltjes kunnen neerslaan in de Longopac-zak.
2. Start het product. Zie *Product starten en stoppen op pagina 94*.

3. Sluit de luchtinlaat met de inlaatplug of inlaatklep om vacuüm te trekken.



4. Wacht 5 seconden tot er vacuüm wordt getrokken.
5. Druk de 2 filterdoorblaasknoppen tegelijkertijd in.



6. Voer stap 5-6 5 keer uit.



**OPGELET:** Het is belangrijk dat het product vacuüm trekt tussen elke keer dat u op de knop drukt.

Als de afzuiging na deze procedure onvoldoende is, moet het voorfilter met water worden gereinigd. Zie *Het voorfilter met water reinigen op pagina 99*.

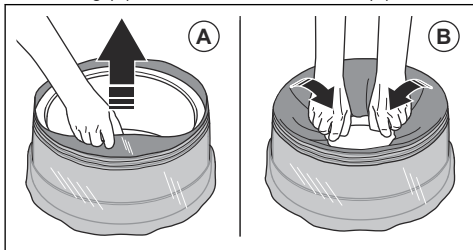
## Een nieuwe Longopac-zakcassette installeren



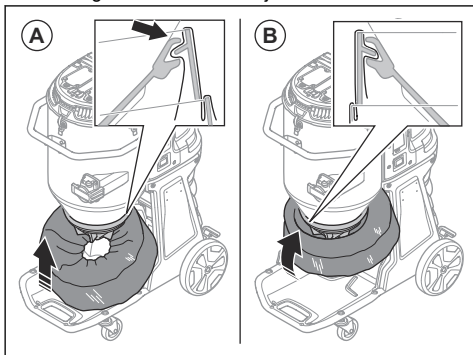
**OPGELET:** Reinig het voorfilter voordat u een nieuwe Longopac-cassette plaatst. Zie *De filterdoorblaasprocedure uitvoeren op pagina 95*.

1. Doe de Longopac-cassette rond de binnenrand van de Longopac-houder.
2. Verwijder de 4 banden nadat u de Longopac in de houder hebt gedaan.

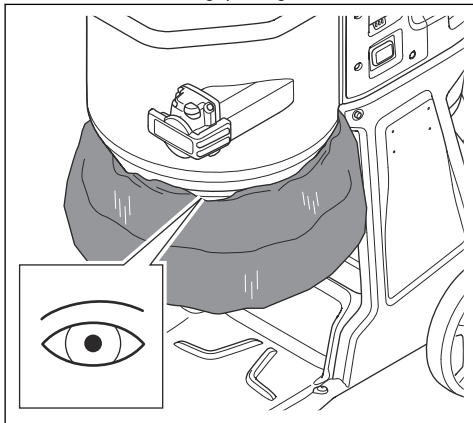
3. Trek de binnenlaag van de Longopac-cassette omhoog (A) en vouw deze in de houder (B).



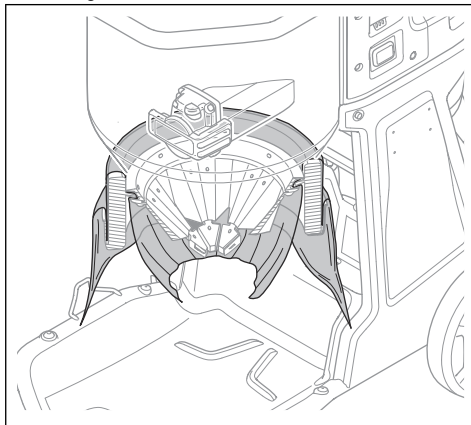
4. Bevestig de Longopac-houder aan de achterzijde van de container (A). Bevestig vervolgens de Longopac-houder aan de zijkanten en de voorkant van de container (B). Duw de Longopac-houder omhoog totdat u een duidelijke klik hoort.



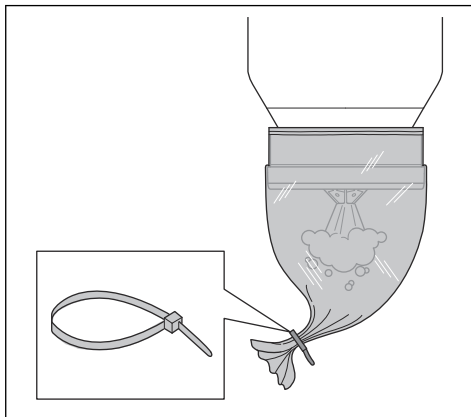
5. Controleer of de Longopac afgedicht is.



6. Trek de buitenlaag van de Longopac-cassette omlaag.



7. Sluit de onderkant van de Longopac met een kabelbinder.



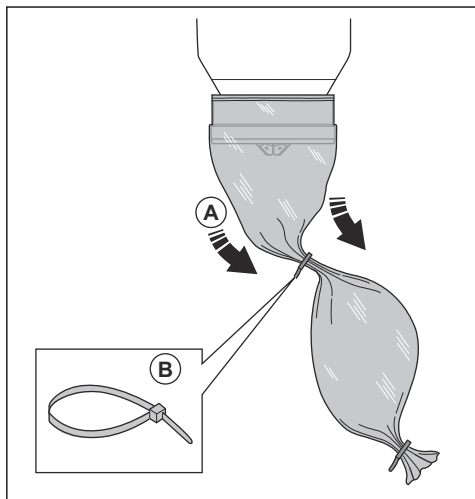
## Een volle Longopac-zak weggooien en een nieuwe Longopac-zak voorbereiden



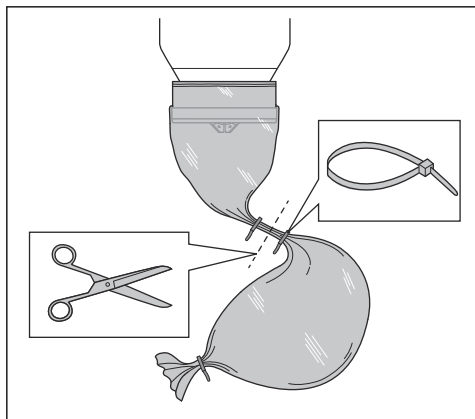
**WAARSCHUWING:** Til de Longopac-zak voorzichtig omhoog, een volle Longopac-zak kan zwaar zijn. Zorg ervoor dat de kabelbinders goed vastzitten voordat u de Longopac-zak eruit tilt.



1. Trek de Longopac-zak (A) eruit en bevestig een kabelbinder (B) om de nieuwe Longopac-zak te sluiten.



2. Schud het stof in de gebruikte Longopac-zak eruit.
3. Bevestig een kabelbinder 10 cm/3,9 inch onder de eerste kabelbinder om de gebruikte Longopac-zak te sluiten. Snijd de Longopac-zak tussen de kabelbinders af.



4. Als het resterende deel van de Longopac-zakcassette te klein is om een nieuwe Longopac-zak voor te bereiden, plaatst u een nieuwe Longopac-zakcassette. Zie *Een nieuwe Longopac-zakcassette installeren op pagina 95*.
5. Volg de plaatselijke regelgeving voor de afvoer van de volledige Longopac-zak.

## Na het afgeronde werk

1. Als u de automatische pulsfunctie hebt gestopt tijdens de werkdag, moet u de filters handmatig reinigen. Zie *De filterdoorblaasprocedure uitvoeren op pagina 95*.
2. Stop het product, zie *Product starten en stoppen op pagina 94*.
3. Gooi de Longopac-zak weg. Zie *Een volle Longopac-zak weggooien en een nieuwe Longopac-zak voorbereiden op pagina 96*.
4. Reinig het product. Zie *Product reinigen op pagina 99*.
5. Het product voor transport voorbereiden. Zie *Het product verplaatsen op pagina 104*.

## Onderhoud

### Inleiding



#### WAARSCHUWING:

Productgerelateerde ongevallen gebeuren tijdens probleemoplossing, service en onderhoud omdat de gebruiker zich in het risicogebied van het product bevindt. De gebruiker moet voorzichtig zijn, een

plan opstellen en de werkzaamheden voorbereiden om ongevallen te vermijden.



**WAARSCHUWING:** Voordat u onderhoud uitvoert, moet u ervoor zorgen dat de motorschakelaar en de pompschakelaar in de stand Off staan.

Koppel de voedingskabel los en verwijder de kabel van de pomp.



**WAARSCHUWING:** Laat alleen een erkende elektricien alle controles van de elektrische onderdelen uitvoeren.



**WAARSCHUWING:** Pas op dat u geen gat in het filter maakt. Risico van het vrijkomen van stof.



**WAARSCHUWING:** Volg alle plaatselijke regelgeving voor de correcte afvoer van gevaarlijk stof, voor en tijdens het onderhoud.



**WAARSCHUWING:** De fabrikant, of een geïnstrueerde persoon, moet minimaal

een keer per jaar een technische inspectie uitvoeren. De technische inspectie bestaat uit inspectie van de filters op schade, de luchtdichtheid van het product en de correcte werking van het regelmechanisme. Bovendien moet de effectiviteit van de filter van het product ten minste een keer per jaar worden getest, of vaker, zoals door nationale voorschriften kan worden gespecificeerd. Als de test niet wordt uitgevoerd, moet de HEPA-filter worden vervangen door een nieuwe.

## Onderhoudsschema

De onderhoudsintervallen worden berekend op basis van het dagelijks gebruik van het product. De intervallen veranderen als het product niet dagelijks wordt gebruikt.

Onderhoud	Voor elk gebruik	Elke dag	Wekelijks	Wanneer de zuigkracht laag is	Om de 6 maanden of 600 uur	Om de 12 maanden of 2000 uur
Doe de filterdoorblaasprocedure. Zie <i>De filterdoorblaasprocedure uitvoeren op pagina 95</i> .	X					
Ga op zoek naar tekenen van slijtage of beschadiging van de rubberen conus voor stofvrijgave.	X					
Controleer de stekker en de voedingskabel.	X					
Controleer op tekenen van slijtage, beschadiging of losse aansluitingen van de bedieningselementen voordat de eenheid wordt aangesloten.	X					
Controleer de slang en de slangkoppelingen.	X					
Ga op zoek naar tekenen van slijtage of beschadiging van de kunststof onderdelen.	X					
Controleer de hijsogen.	X					
Controleer of de Longopac correct is en correct is aangebracht. Zie <i>Een nieuwe Longopac-zakcassette installeren op pagina 95</i> .		X				
Controleer de filterdoorblaasfunctie.		X				
Controleer de wielen. Controleer op beschadigingen en slechte aansluitingen.			X			

Onderhoud	Voor elk gebruik	Elke dag	Wekelijks	Wanneer de zuigkracht laag is	Om de 6 maanden of 600 uur	Om de 12 maanden of 2000 uur
Controleer de filterafdichtingen.			X			
Doe de filterdoorblaasprocedure. Als de afzuiging dan nog steeds onvoldoende is, reinigt u het voorfilter met water. Zie <i>Het voorfilter met water reinigen op pagina 99</i> .				X		
Vervang het gereinigde voorfilter als de afzuiging nog steeds onvoldoende is. Zie <i>Het voorfilter vervangen op pagina 100</i> .				X		X
Vervang het HEPA-filter.				X	X	
Vervang de rubberen conus voor stofvrijgave.						X
Vervang de rubberen onderdelen voor filterreiniging.						X

## De functies van het bedieningspaneel controleren

1. Start het product. Zie *Product starten en stoppen op pagina 94*.
2. Houd de On/Off-knop ingedrukt. Zie *Functies van het bedieningspaneel op pagina 93*
3. Controleer of het product stopt en de groene led uitgaat.

## Product reinigen

Tijdens bedrijf kunnen alle onderdelen van het product en alle gebruikte apparatuur vervuild raken. Daarom is het noodzakelijk alle onderdelen van het product en alle gebruikte apparatuur grondig en zorgvuldig te reinigen.



**WAARSCHUWING:** Ontkoppel het product van de voeding.



**WAARSCHUWING:** Reinig het product voordat het uit het werkgebied wordt geplaatst. Resterend stof op het product kan de lucht in vliegen en een gezondheidsrisico vormen.

- Maak altijd gebruik van persoonlijke beschermingsmiddelen. Zie *Persoonlijke beschermingsuitrusting op pagina 90*.
- Reinig het product niet met een hogedrukreiniger of perslucht.
- Reinig het externe oppervlak met een vochtige doek.
- Gebruik geen water op elektrische onderdelen.

- Reinig de filters zoals in *Het voorfilter met water reinigen op pagina 99* en *Het HEPA-filter vervangen op pagina 100*.
- Doe afgedankte onderdelen na onderhoud in plastic zakken. Neem voor de correcte procedure de lokale voorschriften in acht.
- Als u water gebruikt om het product te reinigen, verwijder dan eerst het voorfilter en de Longopac. Let erop dat er geen water in het HEPA-filter terecht komt.

## Het voorfilter met water reinigen



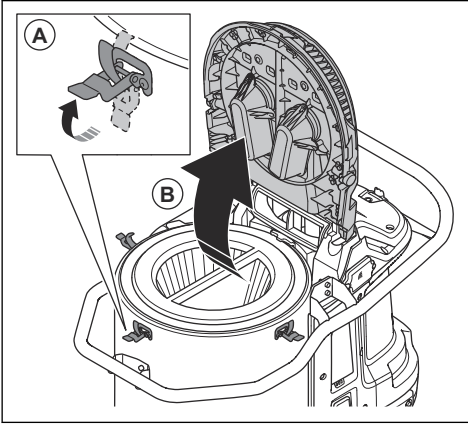
**OPGELET:** Gebruik geen hogedrukreiniger of perslucht om het voorfilter te reinigen. Sla niet hard tegen het voorfilter om het te reinigen.



**OPGELET:** Laat het niet in de volle zon drogen. De afdichtingen drogen erdoor uit.

**Let op:** Als u het filter met water reinigt, neemt de efficiëntie ervan langzaam af.

1. Maak de klemmen los (A) en open de voorfilterkap (B).



5. Plaats het voorfilter, sluit de voorfilterkap en zet de klemmen vast.

Als het voorfilter niet helemaal kan worden gereinigd of als het beschadigd is, moet het worden vervangen. Zie *Het voorfilter vervangen op pagina 100*.

## Vervangen van het filter

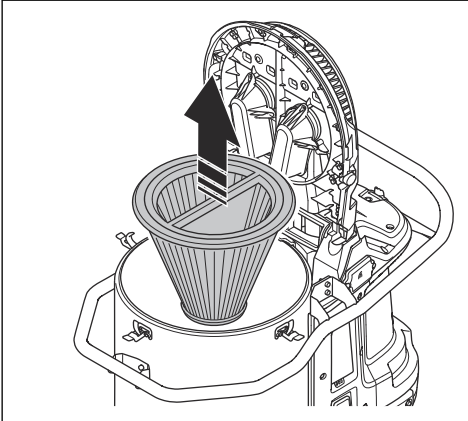


**WAARSCHUWING:** Maak altijd gebruik van persoonlijke beschermingsmiddelen. Zie *Persoonlijke beschermingsuitrusting op pagina 90*. Gevaarlijk stof kan tijdens het vervangen van het filter in de lucht vrijkomen.



**WAARSCHUWING:** Stop het product en haal de stekker uit het stopcontact voordat u het filter vervangt.

2. Verwijder het voorfilter.



## Het voorfilter vervangen

1. Verwijder het voorfilter. Zie *Het voorfilter met water reinigen op pagina 99*.
2. Doe het voorfilter voorzichtig in een plastic zak.
3. Voer de plastic zak correct af. Neem de lokale voorschriften in acht.
4. Installeer het nieuwe voorfilter.

Als de afzuiging na plaatsing van een nieuw voorfilter ontoereikend is, moet het HEPA-filter worden vervangen. Zie *Het HEPA-filter vervangen op pagina 100*.

## Het HEPA-filter vervangen

Het HEPA-filter kan niet worden gereinigd. Het moet altijd door een nieuw HEPA-filter worden vervangen. Gebruik alleen HusqvarnaHEPA-filters.



**WAARSCHUWING:** Alleen een goedgekeurd servicecentrum of een erkende autoriteit mag het HEPA-filter vervangen.



**WAARSCHUWING:** Gebruik altijd persoonlijke beschermingsmiddelen, zie *Persoonlijke beschermingsuitrusting op pagina 90*.



**WAARSCHUWING:** De deeltjes in het HEPA-filter zijn schadelijk voor uw gezondheid.



**WAARSCHUWING:** Zorg ervoor dat er geen gaten in het HEPA-filter zitten. Een beschadigd HEPA-filter vormt een risico voor de gezondheid.

3. Reinig het voorfilter met stromend water aan het binnenoppervlak van het voorfilter.



**OPGELET:** De waterdruk mag niet hoger zijn dan 4 bar.



**OPGELET:** Er mogen geen voorwerpen tegen het filteroppervlak worden geslagen of langs het filteroppervlak worden gesleept. Hierdoor raakt het filter beschadigd.

4. Laat het voorfilter helemaal opdrogen.



**OPGELET:** Het voorfilter moet 100% droog zijn voordat het in de behuizing wordt geplaatst.

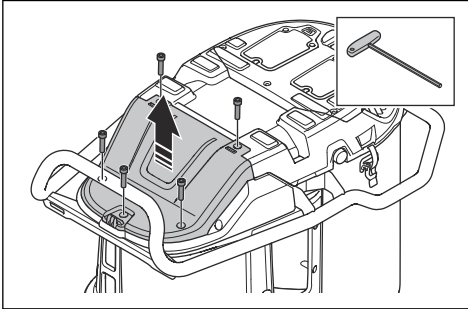


**WAARSCHUWING:** Installeer nooit een gebruikt HEPA-filter. Als u een gebruikt HEPA-filter installeert, kunnen lekkage en een verminderde effectiviteit van het filter optreden.

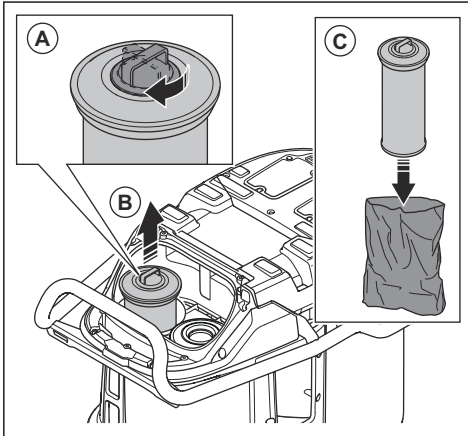


**OPGELET:** Raak het binnenoppervlak van het HEPA-filter niet aan. Dit kan schade aan het HEPA-filter veroorzaken.

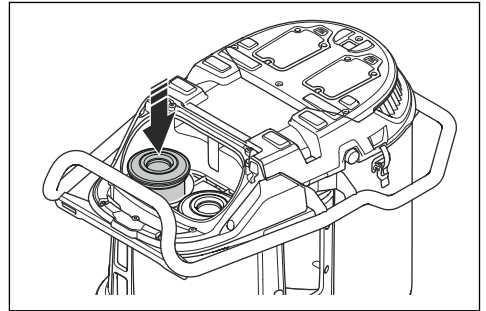
1. Verwijder de 6 schroeven en de HEPA-filterkap.



2. Bevestig de stofkap (A) en trek het HEPA-filter naar buiten. Stop het in een schone plastic zak (C).



3. Voer de plastic zak correct af. Neem de lokale voorschriften in acht.
4. Monteer een nieuw HEPA-filter. Zorg ervoor dat het HEPA-filter naar de eindpositie is geduwd.



5. Herhaal stap 2-4 op het andere HEPA-filter.
6. Monteer de HEPA-filterkap en de 6 schroeven.

## Probleemoplossing

### Schema voor storingzoekers

Probleem	Oorzaak	Oplossing
De motor stopt direct na het starten of start niet.	Er is geen voeding.	Sluit het product aan op de voeding.
	De voedingskabel is defect.	Laat onderhoud aan het product uitvoeren door een erkende servicewerkplaats.
	Er is kortsluiting in het product.	Laat onderhoud aan het product uitvoeren door een erkende servicewerkplaats.
	Het HEPA-filter is beschadigd of niet geïnstalleerd (!).	Vervang of monteer het HEPA-filter.
	Te hoge spanning in voeding.	Controleer of de juiste voeding wordt gebruikt.
	Omgevingstemperatuur te hoog.	Zorg ervoor dat de omgevingstemperatuur binnen het opgegeven bereik ligt wanneer u het product gebruikt.
	Ventilator is kapot of niet aangesloten.	Laat onderhoud aan het product uitvoeren door een erkende servicewerkplaats.
De motor staat aan maar er is geen afzuiging.	De stofzuigerslang is niet goed aangesloten.	Sluit de stofzuigerslang aan.
	De stofzuigerslang is geblokkeerd.	Reinig de stofzuigerslang.
	Er is geen Longopac-zak.	Plaats een Longopac-cassette.
	De Longopac is niet met een kabelbinder aangesloten.	Maak een kabelbinder vast.
Er is onvoldoende afzuiging.	Te lage spanning in voeding.	Controleer of de juiste voeding wordt gebruikt.
	Er zit een gat in de stofzuigerslang.	Vervang de stofzuigerslang.
	Het voorfilter is verstopt.	Verwijder stofdeeltjes van het voorfilter. Reinig of vervang het indien nodig.
	Het HEPA-filter is verstopt.	Vervang het HEPA-filter. Zie <i>Het HEPA-filter vervangen op pagina 100</i> .
	De bovenkap is los.	Sluit de bovenkap helemaal.
	De afdichtingen zijn kapot.	Vervang de afdichtingen.
Er gaat stof van de motor de lucht in.	De filters zijn niet goed gemonteerd of beschadigd.	Monteer de filters op de juiste manier. Vervang beschadigde filters.
Het product maakt een vreemd geluid.	N.v.t.	Laat onderhoud aan het product uitvoeren door een erkende servicewerkplaats.

## Foutcodes






Foutcode	Fout	Beschrijving	Waarschijnlijke oorza(a)k(en)	Actie(s)
2	HEPA-filter ontbreekt.	Product gaat uit/start niet. + Waarschuwinglampje op HMI. + HEPA-symbool op HMI.	HEPA-filter ontbreekt of is beschadigd.	Monteer of vervang het HEPA-filter.
3	Lage voedingspanning.	Laag rendement (lage luchtstroom/laag vacuüm).	Te lage spanning in netwerk/voeding.	Zorg ervoor dat het juiste netwerk/de juiste voeding wordt gebruikt.
4	Hoge voedingspanning.	Product gaat uit/start niet. + Waarschuwingdiode op HMI.	Te hoge spanning in netwerk/voeding.	Zorg ervoor dat het juiste netwerk/de juiste voeding wordt gebruikt.
			Verkeerde accu gebruikt.	Gebruik de juiste accu.
5	Sensorfout hoofddruk.	Het voorfilterlampje knippert rood.	Vacuümslang is niet aangesloten of geblokkeerd.	Neem contact op met een erkende service-werkplaats.
			Regeleenheid is beschadigd.	
6	PCBA-temperatuur te hoog.	Product gaat uit/start niet. + Waarschuwingdiode op HMI.	Omgevingstemperatuur te hoog.	Gebruik het product niet buiten het opgegeven temperatuurbereik.
7	Storing ventilator.	Product gaat uit/start niet. + Waarschuwingdiode op HMI.	Ventilator is beschadigd of niet aangesloten.	Neem contact op met een erkende service-werkplaats.
			Regeleenheid is beschadigd.	
9	Eendraadscommunicatie niet gedetecteerd.	Product gaat uit/start niet. + Waarschuwingdiode op HMI.	Kabel losgekoppeld of beschadigd.	Neem contact op met een erkende service-werkplaats.

## Waarschuwingen op het bedieningspaneel



**OPGELET:** Gebruik het product niet als het rode licht gaat branden. Als de oorspronkelijke oplossing de fout niet

wegneemt, neem dan contact op met een erkende service-werkplaats voordat u het product weer gaat gebruiken.

Symbol	Signaal-	Oorzaak	Oplossing
	Zoemer klinkt en het rode licht gaat aan.	Het voorfilter is verstopt.	Voer een filterdoorblaasprocedure uit. Zie <i>De filterdoorblaasprocedure uitvoeren op pagina 95</i> .
		Onjuiste slang is aangesloten of geselecteerd op het bedieningspaneel.	Bevestig de juiste slang of selecteer de juiste slangafmeting op het bedieningspaneel.
		De slang is beschadigd of samengedrukt.	Vervang de slang.
		De slang is verstopt.	Reinig de slang en verwijder de blokkade.
	Het rode licht knippert.	De hoofdvacuümslang is losgekoppeld.	Laat onderhoud aan het product uitvoeren door een erkende servicewerkplaats.
 + 	Het rode lampje knippert en de waarschuwingsdriehoek verschijnt.	De HEPA-filters ontbreken, zijn vol of zijn beschadigd.	Controleer de HEPA-filters, vervang de HEPA-filters indien nodig. Zie <i>Het HEPA-filter vervangen op pagina 100</i> .
	Het rode lampje gaat branden.	De regeleenheid is beschadigd.	Laat onderhoud aan het product uitvoeren door een erkende servicewerkplaats.
		De omgevingstemperatuur is te hoog.	Zorg ervoor dat de omgevingstemperatuur binnen het opgegeven bereik ligt wanneer u het product gebruikt.
		Waarschuwing.	Bekijk het register van uw Husqvarna Fleet Services™-app of neem contact op met een erkende servicewerkplaats.
	Het gele lampje gaat branden.	De HEPA-filters zijn bijna vol.	Vervang de HEPA-filters indien nodig. Zie <i>Het HEPA-filter vervangen op pagina 100</i> .
	Het rode lampje gaat branden.	De HEPA-filters zijn vol.	Vervang de HEPA-filters. Zie <i>Het HEPA-filter vervangen op pagina 100</i> .

---

## Vervoer, opslag en verwerking

---

### Het product verplaatsen

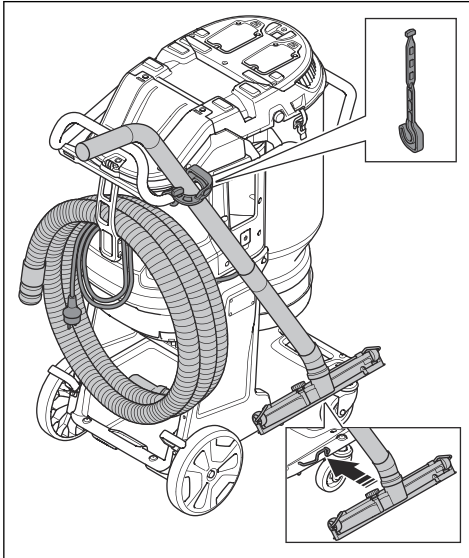
Gebruik een gesloten voertuig om het product te vervoeren.

Controleer of de inlaatklep is gesloten. Controleer of de stofdoppen op de slangen zitten.

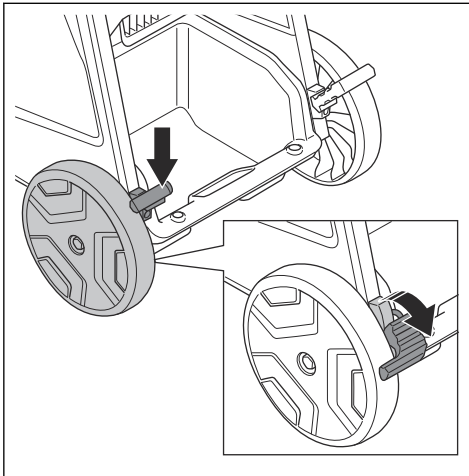
1. Zorg ervoor dat de Longopac aan het product is bevestigd.
2. Zorg ervoor dat de Longopac-zak leeg is.



3. Bevestig het netsnoer, de stofzuigerslang en de buis aan het product.

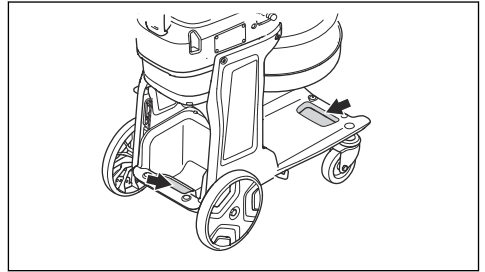


4. Vergrendel de transportwielen.



5. Til het product op, zie *Het product optillen op pagina 105*.

6. Zet het product goed vast op het transportvoertuig om schade en ongelukken te voorkomen. Gebruik de spanpunten.



### Het product optillen



**WAARSCHUWING:** Zorg ervoor dat de hijsapparatuur en de hijsbanden de juiste specificaties hebben om het product veilig op te tillen. Het typeplaatje op het product geeft het gewicht van het product aan, zie *Typeplaatje op pagina 86*.

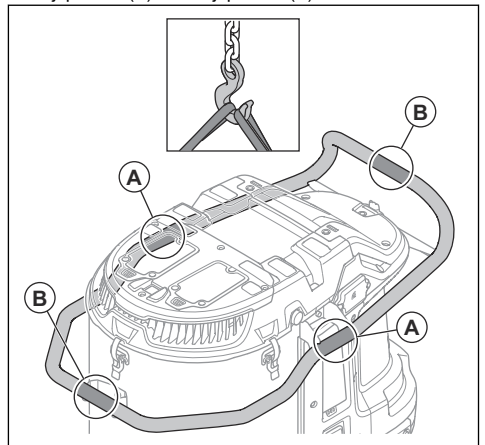


**WAARSCHUWING:** Roep hulp in als u niet zeker weet hoe zware apparatuur moet worden geheven.



**WAARSCHUWING:** Til het product niet op met stof in de tank of in de -zak. Til het product niet op met extra gewicht in of op het product.

1. Doe de filterdoorblaasprocedure voordat u het product optilt. Zie *De filterdoorblaasprocedure uitvoeren op pagina 95*.
2. Bevestig de hijsapparatuur met hijsbanen in hijspunten (A) of in hijspunten (B).





**WAARSCHUWING:** Gebruik geen metalen haken, kettingen of andere hijsapparatuur met ruwe randen die schade aan het hijsorgaan kunnen veroorzaken. Alleen zachte hijsbanden zijn toegestaan.

---

## Het product opslaan

---



**OPGELET:** Sla het product binnen op uit de buurt van externe elementen.

---

- Sla het product op bij omgevingstemperaturen tussen -10 °C/14 °F en 40 °C/104 °F.
- Doe voor opslag de filterdoorblaasprocedure en gooi de Longopac met het verzamelde materiaal weg.
- Haal de stekker van het product uit het stopcontact.
- Zet het product in een droge en vorstvrije ruimte.
- Plaats het product in een afgesloten ruimte. Laat het product niet door kinderen of onbevoegde personen bedienen; houd het buiten hun bereik.

## Het product afvoeren

- Neem de plaatselijk geldende wet- en regelgeving voor recycling in acht.
- Wanneer het product niet langer wordt gebruikt, stuur het dan naar een Husqvarna-dealer of voer het af via een recyclingslocatie.

## Technische gegevens

### Technische gegevens

Gegevens	DE 130 H [UK]	DE 130 H [EU/ROW]	DE 130 H [AU]	DE 130 H [BR]	DE 130 H [JP]
Nominale spanning, V	110	220–240			100
Fase	1				
Frequentie, Hz	50–60				
Maximaal vermogen, W	2400	3000			1500
Maximale stroom, A	20	13			15
Maximale luchtstroom turbine, m <sup>3</sup> /h / cfm	470/277	490/288			380/224
Maximale luchtstroom stofzuiger, m <sup>3</sup> /h / cfm	410/241	415/244			320/188
Maximaal vacuüm turbine, mbar/psi	245/3,6	275/4,0			170/2,5
Lengte stofzuigerslang, m	10				
Diameter stofzuigerslang, mm	63				
Voorfilterruimte, m <sup>2</sup>	2.4				
Filterefficiëntie HEPA	HEPA 13				
Totaal HEPA-gebied, m <sup>2</sup>	2.4				
Stofopvangsysteem, type	Longopac				
Filterreinigingsmechanisme	Automatische puls				
Gewicht, kg	47				
Geluidsvermogeniveau L <sub>WA</sub> gemeten, dB(A) <sup>10</sup>	94,8				
Geluidsdruk niveau L <sub>PA</sub> bij het oor van de gebruiker, dB(A) <sup>11</sup>	78,5				
Trillingsniveau a <sub>n</sub> , m/s <sup>2</sup> <sup>12</sup>	≤2,5				
Beschermingsklasse	IP55				
Elektriciteitsnet (type)	2P+G 4H 32A	Schuko CEE 7/7	AS/NZS 3112	NBR 14136	JIS 8303 YP 12P

<sup>10</sup> Geluidsemissies naar de omgeving gemeten als geluidsvermogen (LWA) volgens IEC/EN 60335-2-69. Onzekerheidsmarge Kwa 2 dB.

<sup>11</sup> Geluidsdruk niveau volgens IEC/EN 60335-2-69. Onzekerheidsmarge KPA 2 dB.

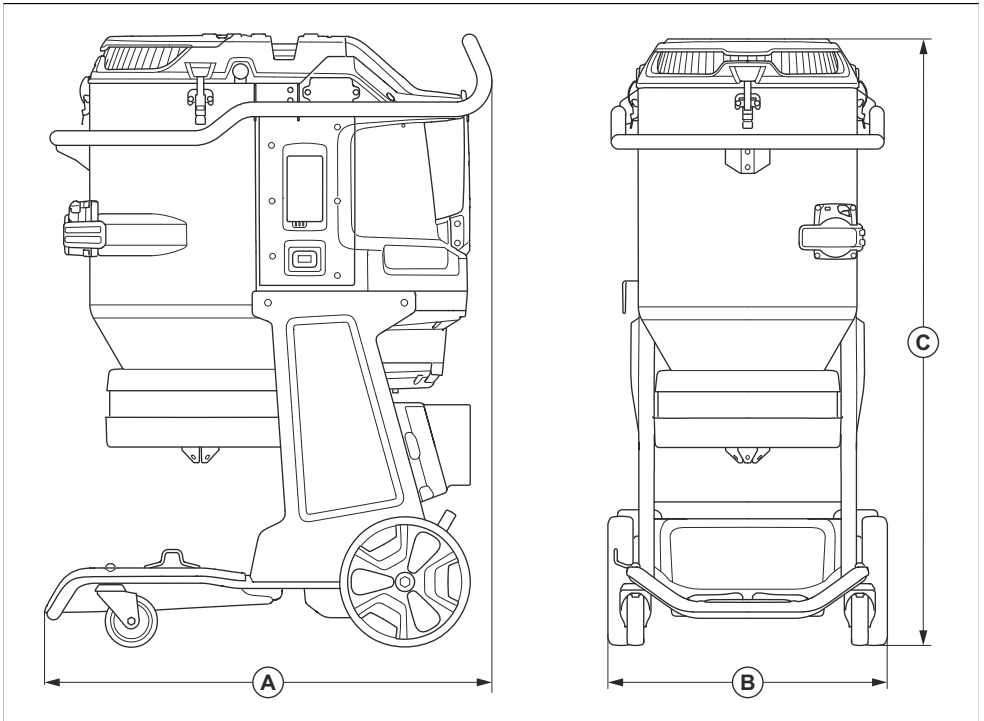
<sup>12</sup> Trillingsniveau volgens IEC/EN 60335-2-69. De gerapporteerde gegevens voor een trillingsniveau vertonen een typische statistische spreiding (standaardafwijking) van 1 m/s<sup>2</sup>.

## Geïntegreerde connectiviteit

**Let op:** Dit onderdeel is alleen van toepassing op producten die worden geleverd met geïntegreerde connectiviteit.

Radiospectrum BLE-technologie	
Frequentiebanden voor het gereedschap, GHz	2,402-2,480
Maximaal overgebracht radiofrequentievermogen, dBm	4/2,5

## Productafmetingen



<b>A</b>	Lengte, mm/inch	855/34
<b>B</b>	Breedte, mm/inch	542/21
<b>C</b>	Hoogte, mm/inch	1175/46

---

# Verklaring van overeenstemming

---

## EU-verklaring van overeenstemming

Wij, **Husqvarna AB**, SE-561 82 Huskvarna,  
Zweden, tel: +46-36-146500, verklaren onder onze  
alleenverantwoordelijkheid dat het product:

<b>Beschrijving</b>	Stofzuiger
<b>Merk</b>	HUSQVARNA
<b>Type / model</b>	DE 130 H
<b>Identificatie</b>	Serienummers vanaf 2023 en verder

volledig voldoet aan de volgende EU-richtlijnen en  
-regelgeving:

<b>Richtlijn/Verordening</b>	<b>Beschrijving</b>
2006/42/EC	"betreffende machines"
2014/53/EU	"betreffende radioapparatuur"
2011/65/EU	"betreffende beperking van gevaarlijke stoffen"

en dat de volgende normen en/of technische  
specificaties zijn toegepast;

EN ISO 12100:2010

EN 60335-1:2012+AC:2014+A11:2014+A13:2017

EN 60335-2-69:2012

EN 61000-3-2:2014

EN 61000-3-3:2013

ETSI EN 300 328 V2.1.1

ETSI EN 301 489-1 V2.2.3

ETSI EN 301 489-17 V3.2.0

Partille, 2023-06-07



Martin Huber

R&D Director, betonnen oppervlakken en vloeren

Husqvarna AB, Construction Division

Verantwoordelijk voor technische documentatie

---

## Geregistreerde handelsmerken

---

Het *Bluetooth*<sup>®</sup>-woordmerk en de logo's zijn geregistreerde handelsmerken die eigendom zijn van *Bluetooth SIG, inc.* en het gebruik van deze merken door Husqvarna vindt plaats onder licentie.





FR

Cet appareil,  
ses cordons,  
et batterie  
se recyclent

À DÉPOSER  
EN MAGASIN



OU

À DÉPOSER  
EN DÉCHÈTERIE



Points de collecte sur [www.quefairedemesdechets.fr](http://www.quefairedemesdechets.fr)  
Privilégiez la réparation ou le don de votre appareil !

# Husqvarna®

[www.husqvarnaconstruction.com](http://www.husqvarnaconstruction.com)

Original instructions  
Originalanweisungen  
Instructions d'origine  
Originele instructies

1143379-20



FR



2023-07-05