



Husqvarna®



EBE 350

EN	Operator's manual
DE	Bedienungsanweisung
FR	Manuel d'utilisation
NL	Gebruiksaanwijzing

2-34
35-69
70-104
105-138

Contents

Introduction.....	2	Transportation, storage and disposal.....	26
Safety.....	5	Technical data	31
Operation.....	11	Noise and vibration emissions.....	31
Maintenance.....	19	Declaration of Conformity.....	34
Troubleshooting.....	25		

Introduction

Owner responsibility



WARNING: Processing of concrete and stone by methods such as cutting, grinding or drilling, especially during dry operation, generates dust that comes from the material being processed, which frequently contains silica. Silica is a basic component of sand, quartz, brick clay, granite and numerous other minerals and rocks. Exposure to excessive amount of such dust can cause:

Respiratory disease (affecting your ability to breathe), including chronic bronchitis, silicosis and pulmonary fibrosis from exposure to silica. These diseases may be fatal;

Skin irritation and rash.

Cancer according to NTP* and IARC* */ National Toxicology Program, International Agency for Research on Cancer.

Take precautionary steps:

Avoid inhalation of and skin contact with dust, mist and fumes.

Wear and ensure that all bystanders wear appropriate respiratory protection such as dust masks designed to filter out microscopic particles. (See OSHA 29 CFR Part 1926.1153)

To minimize dust emissions use an appropriate dust collector.

It is the owner's/employer's responsibility that the operator has sufficient knowledge about how to use the product safely. Supervisors and operators must have read and understood the Operator's Manual. They must be aware of:

- The product's safety instructions.
- The product's range of applications and limitations.
- How the product is to be used and maintained.

National/Local regulations could restrict the use of this product. Find out what regulations are applicable where you work before you start using the product.

Product description

The product is a pedestrian-controlled steel blaster for horizontal operation, operated by an electric motor. The product has a blast wheel that throws abrasive material onto the surface. The product must be connected to a correct dust collector during operation.

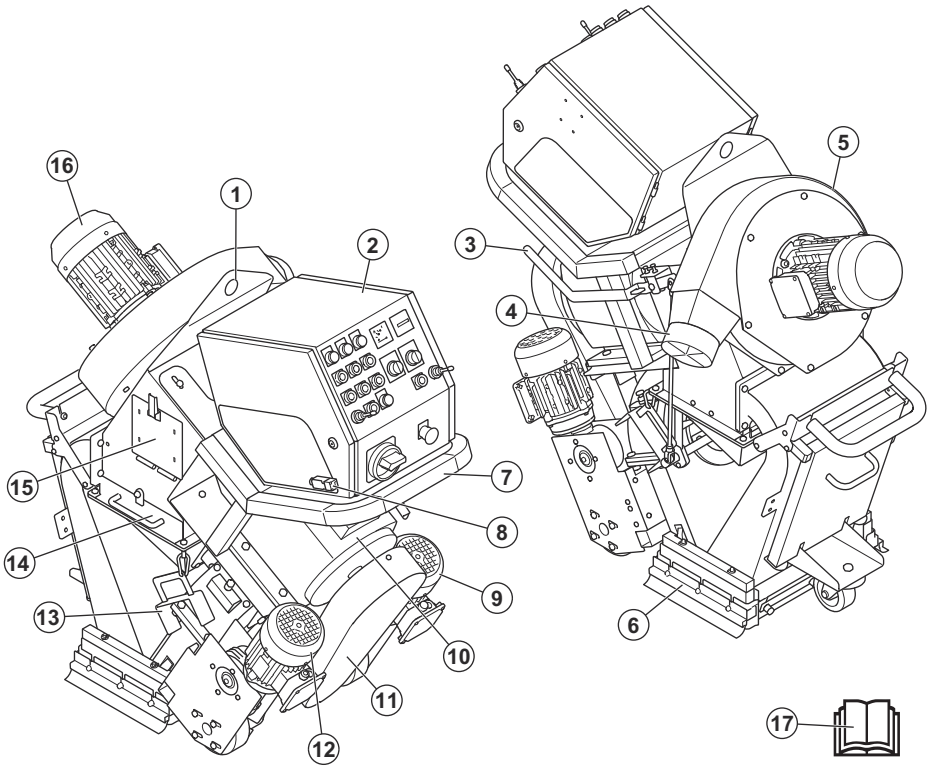
Intended use

The product is used to remove layers of paint, sealants and contaminations from steel surfaces. Only use the product on dry, frost-free horizontal surfaces.

The product is used in commercial operations by professional operators.

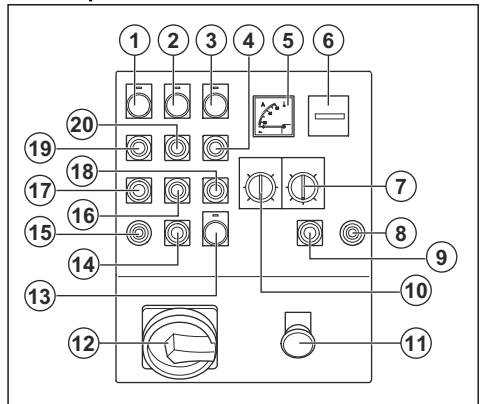
Do not use the product for other tasks.

Product overview



- 1. Lifting eye
- 2. Control panel, refer to *Control panel on page 3*
- 3. Control lever for the abrasive material
- 4. Dust collector connection
- 5. Fan unit
- 6. Brush list seals
- 7. Handle
- 8. Operator presence control (OPC)
- 9. Right drive motor
- 10. Blast motor
- 11. V-belt cover
- 12. Left drive motor
- 13. Side seal holder
- 14. Separator tray
- 15. Separator door
- 16. Fan unit
- 17. Operator's manual

Control panel



- 1. Indicator for the control panel
- 2. Indicator for the fan unit

3. Indicator for the blast motor
4. ON button for the blast motor
5. Ammeter
6. Hour meter
7. Potentiometer for tracking
8. Joystick for the right drive motor
9. STOP button for the right drive motor
10. Speed control
11. Emergency stop button
12. Main ON/OFF switch
13. Control light, indicator for power supply
14. STOP button for the left drive motor
15. Joystick for the left drive motor
16. OFF button for the fan unit
17. OFF button for the drive motors
18. OFF button for the blast motor
19. ON button for the drive motors
20. ON button for the fan unit



High voltage.



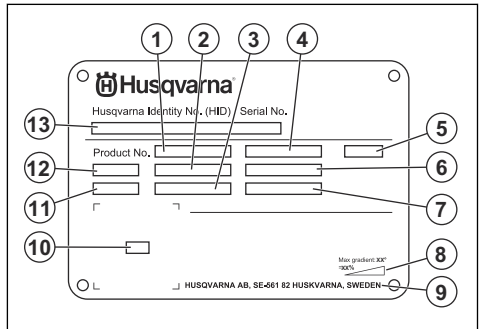
Lifting point.



This product is in compliance with applicable EU directives.

Note: Other symbols/decals on the product refer to special certification requirements for some markets.

Type plate



1. Product number
2. Product weight
3. Rated power
4. Rated voltage
5. Enclosure
6. Rated current
7. Frequency
8. Maximum slope angle
9. Manufacturer
10. Scannable code
11. Production year
12. Model
13. Serial number

Product damage

We are not responsible for damages to our product if:

- the product is incorrectly repaired.
- the product is repaired with parts that are not from the manufacturer or not approved by the manufacturer.
- the product has an accessory that is not from the manufacturer or not approved by the manufacturer.

Symbols on the product



WARNING: This product can be dangerous and cause serious injury or death to the operator or others. Be careful and use the product correctly.



Read the manual carefully and make sure that you understand the instructions before you use the product.



Use an approved respiratory protection.



Use approved hearing protection.



Use approved eye protection.



Use approved protective gloves.



Use approved protective boots.

- the product is not repaired at an approved service center or by an approved authority.

Safety

Safety definitions

Warnings, cautions and notes are used to point out specially important parts of the manual.



WARNING: Used if there is a risk of injury or death for the operator or bystanders if the instructions in the manual are not obeyed.



CAUTION: Used if there is a risk of damage to the product, other materials or the adjacent area if the instructions in the manual are not obeyed.

Note: Used to give more information that is necessary in a given situation.

General safety instructions



WARNING: Read the warning instructions that follow before you use the product.

- This product is a dangerous tool if you are not careful or if you use the product incorrectly. This product can cause serious injury or death to the operator or others. Before you use the product, you must read and understand the contents of this operator's manual.
- This product is not intended for use by persons (including children) with reduced physical, sensory or mental capabilities, or lack of experience and knowledge.
- Save all warnings and instructions.
- Comply with all applicable laws and regulations.
- The operator and the employer of the operator must know and prevent the risks during operation of the product.
- Do not let a person operate the product unless they read and understand the contents of the operator's manual.
- Do not operate the product unless you receive training before use. Make sure that all operators receive training.
- Do not let a child operate the product.
- Only let approved persons operate the product.
- The operator is responsible for accidents that occur to other persons or their property.
- Do not use the product if you are tired, ill, or under the influence of alcohol, drugs or medicine.
- Always be careful and use your common sense.
- Keep the product clean. Make sure that you can clearly read signs and decals.
- Do not use the product if it is damaged or does not operate correctly.
- Do not do modifications to this product.
- Do not operate the product if it is possible that other persons have done modifications to the product.

Safety instructions for operation



WARNING: Read the warning instructions that follow before you use the product.

- Use personal protective equipment. Refer to *Personal protective equipment on page 6*.
- Overexposure to vibration can cause circulatory damage or nerve damage to persons with decreased blood circulation. Get medical aid if you have symptoms of overexposure to vibration. These symptoms include numbness, loss of feeling, tingling, pricking, pain, loss of strength, changes in skin color or condition. These symptoms usually show in the fingers, hands or wrists.
- Do not operate the product without all protective covers installed.
- Make sure that you know how to stop the motors quickly in an emergency.
- Before you go away from the product, stop the motors and disconnect the power cord. Make sure that there is no risk of accidental start.
- Make sure that clothing, long hair and jewelry do not get caught in moving parts.
- Make sure that you are in a safe and stable position during operation.
- Make sure that there are no loose bolts and nuts.
- Do not lift or tilt the product during operation. Abrasive material comes out of the product at high speed and can cause injury. Always disconnect the power plug before you lift or tilt the product.
- Make sure that the separator and separator tray are closed during operation.
- Do not operate the product unless you can get aid if an accident occurs.
- Always use approved accessories. Speak to your Husqvarna dealer for more information.
- If vibrations occur in the product or the noise level from the product is unusually high, stop the product immediately. Disconnect the power plug. Examine the product for damages. Repair damages or let an approved service agent do the repair.

- Always connect the product to a dust collector for removal of the dust.
- Do not pull the hose of the dust collector. The product can fall and cause injury or damage.
- Keep the dust collector on until the motors stop fully.
- Only operate the product from behind with your hands on the handlebar.
- Make sure that there is no grease or oil on the handles.
- Make sure that the the brush list seals are not damaged.
- Make sure that the the brush list seals are installed in the correct height.
- Always use approved abrasive material. Speak to your Husqvarna dealer for more information. Refer to *Approved abrasive material on page 32*.
- Make sure that the fan unit has the correct direction of rotation. The correct direction of rotation is given with an arrow on the fan unit cover.

Vibration safety



WARNING: Read the warning instructions that follow before you use the product.

- During operation of the product, vibrations go from the product to the operator. Regular and frequent operation of the product can cause or increase the degree of injuries to the operator. Injuries can occur in fingers, hands, wrists, arms, shoulders, and/or nerves and blood supply or other body parts. The injuries can be debilitating and/or permanent, and can increase gradually during weeks, months or years. Possible injuries include damage to the blood circulation system, the nervous system, joints, and other body structures.
- Symptoms can occur during operation of the product or at other times. If you have symptoms and continue to operate the product, the symptoms can increase or become permanent. If these or other symptoms occur, get medical aid:
 - Numbness, loss of feeling, tingling, pricking, pain, burning, throbbing, stiffness, clumsiness, loss of strength, changes in skin color or condition.
- Symptoms can increase in cold temperatures. Use warm clothing and keep your hands warm and dry when you operate the product in cold environments.
- Do maintenance on and operate the product as given in the operator's manual, to keep a correct vibration level.
- The product has a vibration damping system that decreases the vibrations from the handles to the operator. Let the product do the work.
- Keep your hands on the handle or handles only. Keep all other body parts away from the product.
- Stop the product immediately if strong vibrations suddenly occurs. Do not continue the operation

before the cause of the increased vibrations is removed.

Dust safety



WARNING: Read the warning instructions that follow before you use the product.

- Operation of the product can cause dust in the air. Dust can cause serious injury and permanent health problems. Silica dust is regulated as harmful by several authorities. These are examples of such health problems:
 - The fatal lung diseases chronic bronchitis, silicosis and pulmonary fibrosis
 - Cancer
 - Birth defects
 - Skin inflammation
- Use correct equipment to decrease the quantity of dust and fumes in the air and to decrease dust on work equipment, surfaces, clothing and body parts. Example of controls are dust collection systems. Decrease dust at the source where possible. Make sure that the equipment is correctly installed and used and that regular maintenance is done.
- Use approved respiratory protection. Make sure that the respiratory protection is applicable for the dangerous materials in the work area.
- Make sure that the airflow is sufficient in the work area.

Noise safety



WARNING: Read the warning instructions that follow before you use the product.

- High noise levels and long-term exposure to noise can cause noise-induced hearing loss.
- To keep the noise level to a minimum, do maintenance on and operate the product as given in the operator's manual.
- Use approved hearing protection while you operate the product.
- Listen for warning signals and voices when you use hearing protection. Remove the hearing protection when the product is stopped, unless hearing protection is necessary for the noise level in the work area.

Personal protective equipment



WARNING: Read the warning instructions that follow before you use the product.

- Always use approved personal protective equipment when you operate the product. Personal protective

equipment cannot fully prevent injury but it decreases the degree of injury if an accident does occur. Let your dealer help you select the correct personal protective equipment and when to use them.

- Regularly do a check of the condition of the personal protective equipment.
- Use approved hearing protection.
- Use approved respiratory protection.
- Use approved eye protection with side protection.
- Use protective gloves.
- Use boots with steel toe-cap and non-slip sole.
- Use approved work clothing or equivalent close-fitting clothing that has long sleeves and long legs.

Fire extinguisher

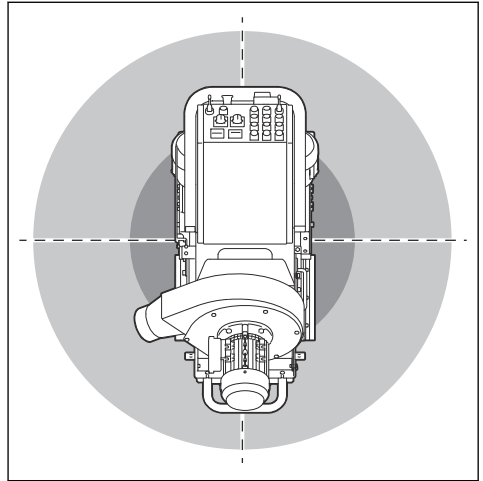
- Keep a fire extinguisher near during operation.
- Use a powder fire extinguisher or a carbon dioxide fire extinguisher.

Work area safety



WARNING: Read the warning instructions that follow before you use the product.

- It is the responsibility of the user to analyse the surface to be treated. The user should make a risk assessment on the basis of the information obtained about the surface to be treated and take proper precautions for the work to be performed.
- Do not use the product in fog, rain, strong winds, cold weather, risk of lightning or other bad weather conditions.
- Look out for persons, objects and situations that can prevent safe operation of the product.
- Do not use the product in areas where fire or explosions can occur. The product creates sparks and flammable material can create ignition with the dust or fumes.
- Keep children, bystanders and animals away from the work area and at a safe distance from the product. Safe distance is 15 m/49 ft.



- Make sure that bystanders and animals are not in the work area and at a safe distance from the product.
- Make sure that only approved persons are in the work area.
- Keep the work area clean and fully illuminated. Cluttered or dark areas invite accidents.
- Remove objects such as screws, bolts, wires and stones from the work area before you use the product.
- Make sure that there are no cables or hoses in the operation direction of the product.
- Make sure that uneven surfaces, such as welded seams or floor joints, do not stop the product.
- Make sure that there is sufficient airflow in the work area.

Electrical safety



WARNING: There is always a risk of shocks from electrical products. Do not use the product in bad weather conditions. Do not touch lightning conductors and metal objects. Always use the product as given in this operator's manual to prevent injury.



WARNING: Always use a power supply with RCD (residual-current device). An RCD decreases the risk of electrical shock.



WARNING: High voltage. There are unprotected parts in the power unit. Always disconnect the power plug before you open the door to the electrical box.



WARNING: Only use the socket outlet on the machine for purposes specified in the instructions.



CAUTION: The power supply from the product or generator must be sufficient and constant to make sure that the motor operates without problems. Incorrect voltage causes the power consumption and the temperature of the motor to increase until the safety circuit releases. The dimension of the power cord must agree with national and local regulations. The dimension of the mains socket must agree with the amperage for the electrical socket and extension cable of the product.

If the power mains has higher system resistance, short voltage drop can occur when the product is started. This can influence the operation of other products, for example flicker on the lights.

- The power plug must match the outlet. Never modify the plug in any way. Do not use any adapter plugs with earthed (grounded) power tools. Unmodified plugs and matching outlets will reduce risk of electric shock.
- Avoid body contact with earthed or grounded surfaces, such as pipes, radiators, ranges and refrigerators. There is an increased risk of electric shock if your body is earthed or grounded.
- Make sure that the power, fuse and mains voltage are the same as the voltage shown on the rating plate of the product.
- Always stop the product before you disconnect the power plug.
- Make sure that the ON/OFF switch is in OFF position before the product is connected to the power supply.
- Always disconnect the power plug during a long product stop.
- Do not use the product if the supply cord or power plug is damaged. If the supply cord is damaged, it must be replaced by the manufacturer, its service agent or similarly qualified persons in order to avoid a hazard. A damaged power cord can cause serious injury and death.
- Use the power cord correctly. Do not use the power cord to move, pull or disconnect the product. Pull the power plug to disconnect the power cord. Do not pull the power cord.
- Only operate the product on dry surfaces.
- Keep the product away from rain. Water that goes into the product increases the risk of electrical shock.
- Always disconnect the power cord before you connect or disconnect the connection for the motor cable and the electrical enclosure.
- In order to avoid a hazard due to inadvertent resetting of the thermal cut-out, this appliance

must not be supplied through an external switching device, such as a timer, or connected to a circuit that is regularly switched on and off by the utility.

- Make sure that the power supply for the product is supplied by separate transformers that are used for industrial purpose only.

Grounded product instructions



WARNING: Incorrect connection can result in electrical shock. Speak to an approved electrician if you are not sure if your mains outlet is correctly grounded.

Do not do modifications to the power plug from its factory specification. If the power plug or power cord is damaged or must be replaced, speak to your Husqvarna service agent. Obey local regulations and laws.

If you do not fully understand the instructions about the grounded product, speak to an approved electrician.

Use only grounded outdoor extension cables with grounding plugs and grounding outlet that accepts the product power plug.

The product has a grounded power cord and power plug. Always connect the product to a grounded mains outlet. This decreases the risk of electrical shock.

Do not use electrical adapters with the product.

Extension cables

- Use only approved extension cables with applicable properties.
- The rated value on the extension cable must be the same or higher than given on the rating plate of the product.
- Use grounded extension cables.
- When you operate the product outdoors, use an extension cable that is applicable for outdoor operation. This decreases the risk of electrical shock.
- Keep the connection to the extension cable dry and off the ground.
- Keep the extension cable away from heat, oil, sharp edges or moving parts. A damaged cable increases the risk of electrical shock.
- Make sure that the extension cable is in good condition and not damaged.
- Do not use the extension cable while it is wound up. This can cause the extension cable to become too hot.
- Make sure that the extension cable is out of the way and the product during operation. This prevents damage to the extension cable.

Safety devices on the product



WARNING: Read the warning instructions that follow before you use the product.

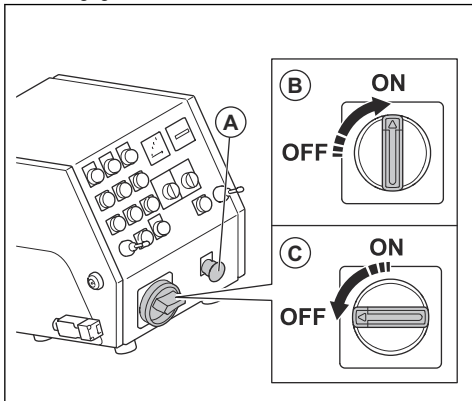
- Do not use the product if the safety devices are damaged or does not operate correctly.
- Do a check of the safety devices daily. If your safety devices are damaged or does not operate correctly, speak to your Husqvarna service agent.
- Do not make modifications on safety devices

ON/OFF switch

The ON/OFF switch is used to start and stop the power supply to the product.

To do a check of the ON/OFF switch

1. Turn the emergency stop button (A) clockwise to make sure that the emergency stop button is disengaged.



2. Turn the ON/OFF switch to the ON position (B).
3. Make sure that the control light on the control panel comes on.
4. Turn the ON/OFF switch to the OFF position (C).
5. Make sure that the control light on the control panel goes off.

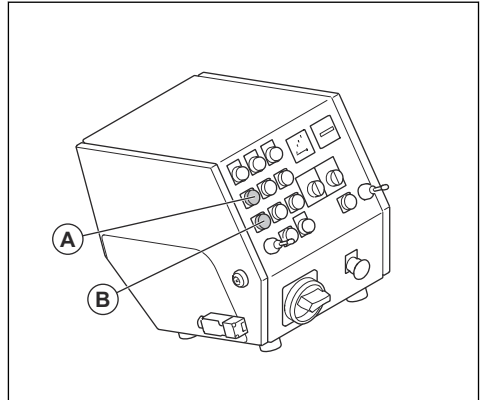
ON/OFF buttons of the drive motors

The ON/OFF buttons of the drive motors are used to start and stop the drive motors. Refer to *To do a check of the drive motors on page 9*.

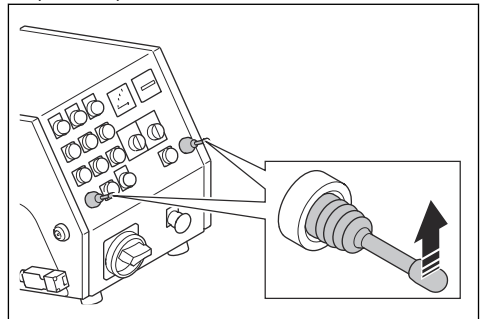
To do a check of the drive motors

1. Turn the emergency stop button clockwise to make sure that the emergency stop button is disengaged.
2. Set the ON/OFF switch to the ON position.

3. Push the ON button of the drive motors (A).



4. Make sure that the indicator comes on.
5. Set the speed control to 1.
6. Push the 2 joysticks forward. Make sure that the product operates forward.



7. Set the 2 joysticks to the neutral position. Make sure that the product stops.
8. Pull the 2 joysticks rearward. Make sure that the product operates rearward.
9. Set the 2 joysticks to the neutral position.
10. Push the OFF button of the drive motors (B).
11. Make sure that the indicator goes out.

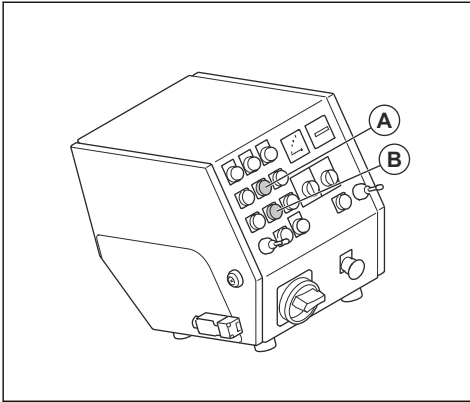
ON/OFF buttons of the fan unit

The ON/OFF buttons of the fan unit are used to start and stop the fan unit. Refer to *To do a check of the ON/OFF buttons of the fan unit on page 9*.

To do a check of the ON/OFF buttons of the fan unit

1. Turn the emergency stop button clockwise to make sure that the emergency stop button is disengaged.
2. Set the ON/OFF switch to the ON position.

3. Push the ON button of the fan unit (A).



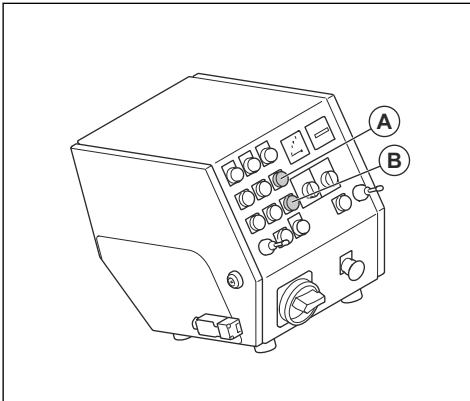
4. Make sure that the fan unit starts.
5. Push the OFF button of the fan unit (B).
6. Make sure that the fan unit stops.

ON/OFF buttons of the blast motor

The ON/OFF buttons of the blast motor are used to start and stop the blast motor. Refer to *To do a check of the ON/OFF buttons of the blast motor on page 10*.

To do a check of the ON/OFF buttons of the blast motor

1. Turn the emergency stop button clockwise to make sure that the emergency stop button is disengaged.
2. Set the ON/OFF switch to the ON position.
3. Push the ON button of the blast motor (A).



4. Make sure that the blast motor starts.
5. Push the OFF button of the blast motor (B).
6. Make sure that the blast motor stops.

Ammeter

The ammeter shows the blast load onto the surface. The maximum amperage is shown above the ammeter.

To do a check of the ammeter

Refer to *Control panel on page 3* for information about where the ammeter is on your product.

1. Start the product. Refer to *To start the product on page 15*.
2. Wait until the ammeter is in idle position.
3. Stop the product. Refer to *To stop the product on page 18*.

Emergency stop button

The emergency stop button is used to quickly stop the motors.

To do a check of the emergency stop button

Refer to *Control panel on page 3* for information about where the emergency stop button is on your product.

1. Turn the emergency stop button clockwise to make sure that the emergency stop button is disengaged.
2. Start the product. Refer to *To start the product on page 15*.
3. Push the emergency stop button.
4. Make sure that the motors stop.
5. Turn the emergency stop button clockwise to disengage.

Operator Presence Control (OPC)

When the OPC is engaged, the motor stops. Refer to *To do a check of the Operator Presence Control (OPC) on page 10*.

To do a check of the Operator Presence Control (OPC)

1. Start the product. Refer to *To start the product on page 15*.
2. Pull out the OPC key. If the motor does not stop in 3 seconds, speak to an approved Husqvarna service agent.

Safety instructions for maintenance



WARNING: Read the warning instructions that follow before you use the product.

- Only do the maintenance as given in this operator's manual. Let an approved service agent do all other servicing.
- If the maintenance is not done correctly and regularly, the risk of injury and damage to the product increases.

- Clean the product to remove dangerous material before you do the maintenance.
- Do the maintenance of the product on stable level ground. Make sure that the product cannot move.
- Do not make modifications to the product. Modifications that are not approved by the manufacturer can cause serious injury or death.
- Replace damaged, worn or broken parts.
- Do not use a pressure washer to clean the product.
- Only use lint-free cleaning cloths.
- Always use original accessories and spare parts. Accessories and spare parts that are not approved by the manufacturer, can cause serious injury or death.
- After maintenance, do a check of the vibration level in the product. If it is not correct, speak to an approved service agent.
- Let an approved service agent do servicing on the product regularly.

Operation

Introduction



WARNING: Before you operate the product, you must read and understand the safety chapter.

To do before you operate the product

1. Read the operator's manual carefully and make sure that you understand the instructions.
2. Read the operator's manual for the dust collector carefully and make sure that you understand the instructions.
3. If the product is operated in connection with a power source, make sure that you read and understand the operator's manual of that power source.
4. Use personal protective equipment. Refer to *Personal protective equipment on page 6*.
5. Make sure that only approved persons are in the work area.
6. Do daily maintenance. Refer to *Maintenance schedule on page 19*.
7. Make sure that the product is assembled correctly and is not damaged.
8. Make sure that all bolts, screws and nuts are tightened.
9. Make sure that the blast wheel blades, feed spout, and seals are not damaged or worn out. Replace the parts when 75% of the blade thickness has been worn away.
10. Make sure that the separator is not damaged.
11. Make sure that the separator is filled with abrasive material up to the separator tray.
12. Make sure that the brush list seals are installed at the correct height. Refer to *To set correct height of the brush list seals on page 12*.
13. Put the product on the work area. Make sure that the surface is level. Make sure that the transportation of the product to and in the work area is done safely and correctly. Refer to *Transportation, storage and disposal on page 26*.

14. Install the side seals. Refer to *To install the side seals on page 12*.
15. Connect a dust collector to the product. Refer to *To connect a dust collector on page 14*.
16. Make sure that the ON/OFF switch is in OFF position before you connect the product to a power source.
17. Connect the product to a power source. Refer to *To connect the product to a power source on page 15*.

Valve for the abrasive material

The valve for the abrasive material controls the flow of the abrasive material to the blast wheel blades. The adjustment of the valve for the abrasive material is shown on the ammeter. Refer to *Ammeter on page 10*.

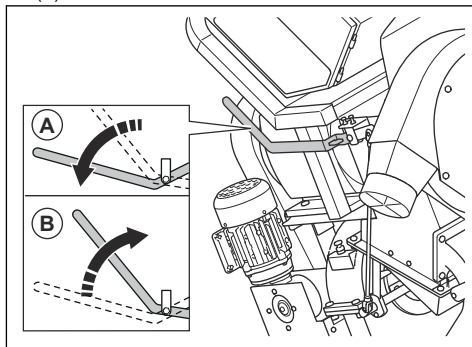
You can adjust the valve for the abrasive material with the control lever for the abrasive material. Refer to *Valve for the abrasive material on page 11*.

To operate the valve for the abrasive material



CAUTION: Only open the valve for the abrasive material when the blast motor is in operation.

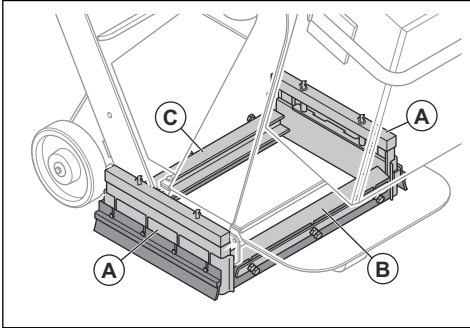
1. Push the control lever for the abrasive material to close the valve and stop the flow of abrasive material (A).



- Pull the control lever for the abrasive material to open the valve and start the flow of the abrasive material (B).

Abrasive material seal

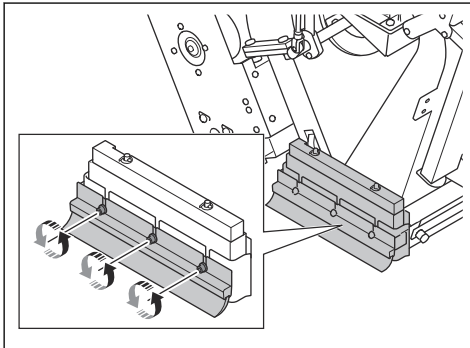
The abrasive material seal is a seal system with 2 side seals (A), 1 front seal (B) and 1 rear brush (C). The abrasive material seal makes sure that the abrasive material stays in the product during operation. Refer to *To install the side seals on page 12* for more information about the side seals. Refer to *To replace the front rubber seals on page 24* for more information about the front seal.



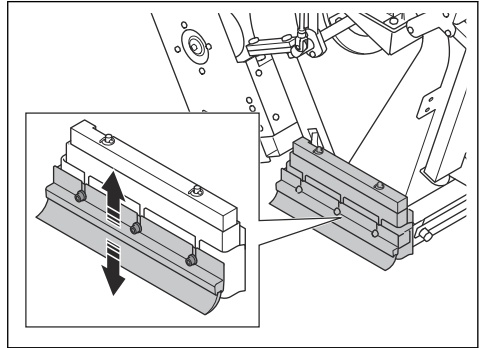
To set correct height of the brush list seals

The brush list seals wear when you operate the product. It is necessary adjust the height of the brush list seals at regular intervals.

- Loosen the 3 screws.



- Adjust the height until the brush list seals are 1 mm/ 0.04 in above the surface.



- Tighten the 3 screws.

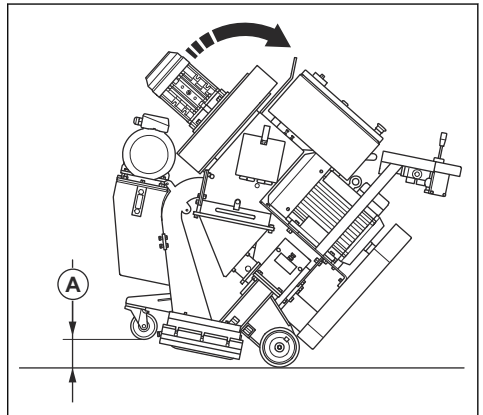
To install the side seals



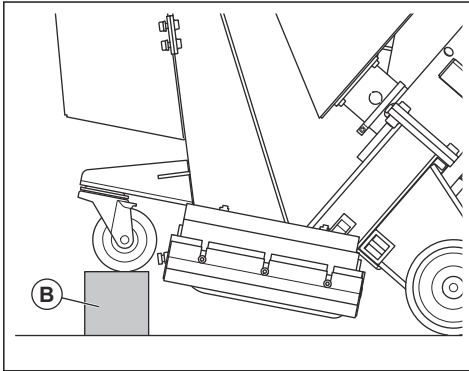
WARNING: A minimum of 2 persons are necessary for this procedure. 1 person installs the side seals, and 1 person make sure that the product stays in position.

The side seal system consists of 2 metal side seals, 2 rubber side seals and 2 side brushes. The metal side seals fall out from the side seal system when you lift the product from the surface. Install the side seals before you operate the product.

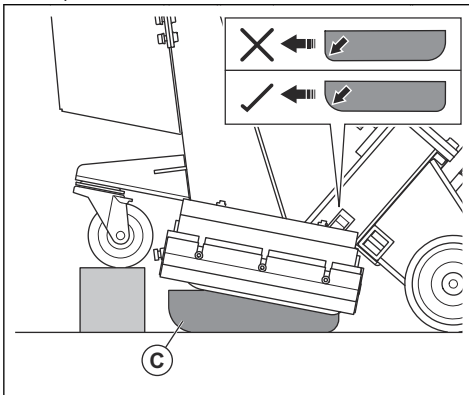
- Park the product on level ground.
- Stop the product and let it become cool.
- 1 person tilts the product rearwards until the distance (A) is 120 mm/4.7 inch.



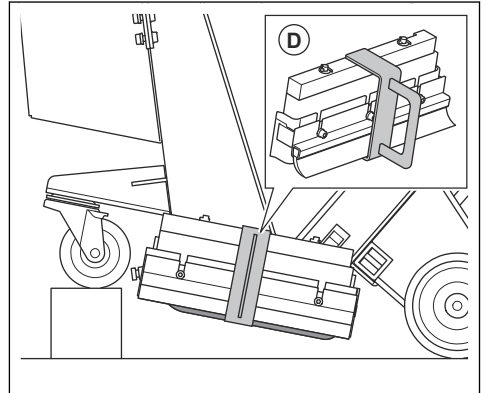
4. The second person puts a piece of wood (B) below the front wheel. The dimensions of the piece of wood must be 100×100×300 mm/4×4×12 inch.



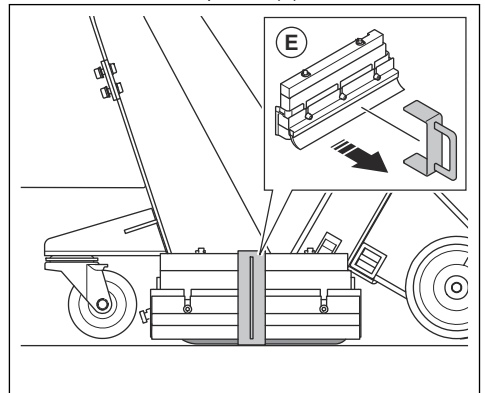
5. While 1 person observes the process, the second person installs the side seals in the side seal boxes:
 - a) Put the side seal (C) in the side seal box on 1 side of the product. Make sure that the rounded part of the side seal points to the front of the product.



- b) Put the side seal holder (D) around the side seal box to make sure that the side seal stays in the correct position.



- c) Install the side seal on the opposite side of the product.
6. While 1 person slightly lifts the product up, the second person removes the piece of wood.
7. The person that lifts the product upwards slowly lowers the product onto the ground.
8. The second person removes the side seal holders on both sides of the product (E).

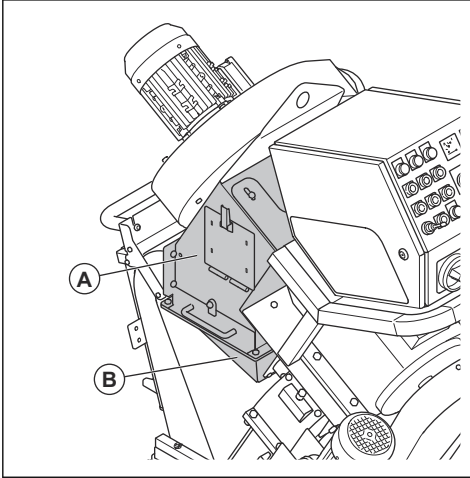


Abrasive material

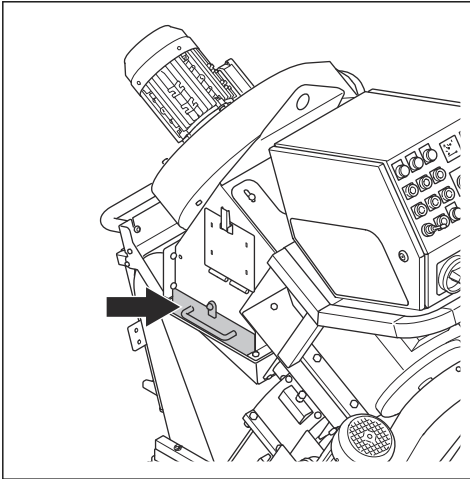
Speak to your Husqvarna dealer for the selection of correct abrasive material for your surface operation. Refer to *Approved abrasive material* on page 32.

Separator

The separator (A) holds the abrasive material and supplies the blast wheel blades with abrasive material through the hopper (B).



The separator tray keeps contamination away from the abrasive material and the blast wheel blades.

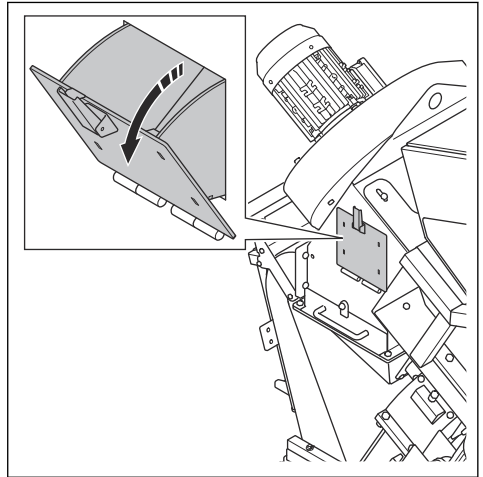


To fill the product with abrasive material

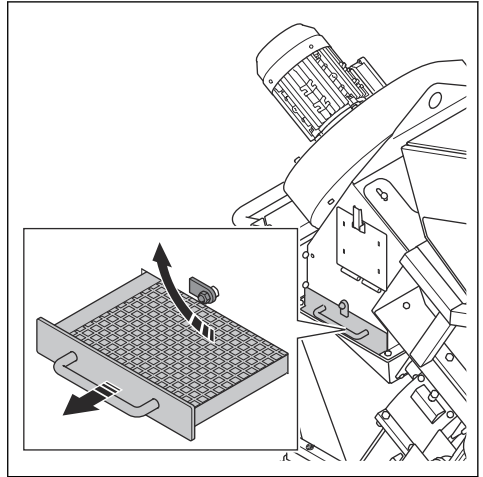


WARNING: Always use personal protective equipment when you fill the product with abrasive material. Refer to *Personal protective equipment on page 6.*

1. Make sure that the valve for the abrasive material is closed. Refer to *To operate the valve for the abrasive material on page 11.*
2. Open the the separator door.



3. Open the separator tray and remove all contaminations when you fill abrasive material or when it is necessary.



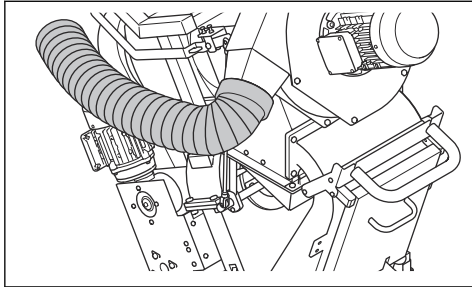
4. Fill the separator with abrasive material up to the separator tray. Fill the separator with abrasive material when it is necessary.

To connect a dust collector



WARNING: Do not use the dust collector if the dust collector hose is damaged. The risk increases that you breathe in dust that is dangerous to your health. Use approved respiratory protection.

1. Examine the dust collector hose for damages.
2. Make sure that the filters in the dust collector are clean and not damaged.
3. Attach the dust collector hose safely to the connection for dust collector. Connect the dust collector hose with hose clamps and industrial tape.



To connect the product to a power source

1. Connect the power plug of the product to a grounded mains outlet or other power source.
2. Make sure that the mains voltage agrees with the type plate on the product.

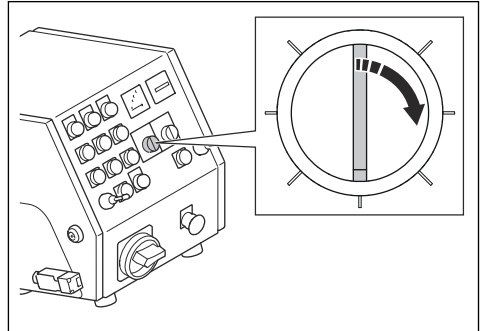
To do a check of the direction of rotation of the fan unit

1. Start the product. Refer to *To start the product on page 15*.
2. After some seconds, stop the product. Refer to *To stop the product on page 18*.
3. Make sure that the fan unit has the correct direction of rotation. The correct direction is shown with an arrow on the fan unit cover.
4. If the fan unit does not have the correct direction of rotation, change the phase sequence of the power supply.

To select the correct speed

It is important to operate the product with the correct speed for best result. If the surface has different quality, adjust the speed for an equal result. Examine the result and adjust the speed if it is necessary.

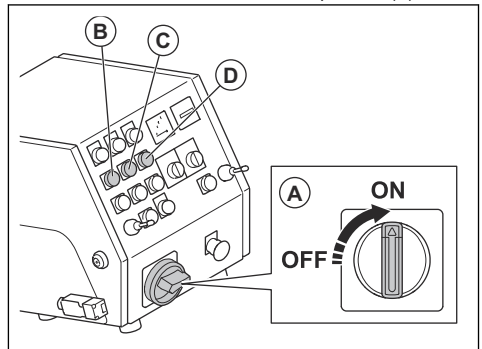
- Turn the speed control clockwise to increase the speed.



- Turn the speed control counterclockwise to decrease the speed.

To start the product

1. Connect the product to a power supply. Refer to *To connect the product to a power source on page 15*.
2. Attach the dust collector hose to the product. Refer to *To connect a dust collector on page 14*.
3. Start the dust collector. Refer to the operator's manual of the dust collector.
4. Put the cord of the operator presence control around your left wrist.
5. Turn the emergency stop button clockwise to disengage the emergency stop button.
6. Set the ON/OFF switch to the ON position (A).



7. Start the drive motors (B) and the fan unit (C).
8. Do a check of the direction of rotation of the fan unit. Refer to *To do a check of the direction of rotation of the fan unit on page 15*.
9. Start the the blast motor (D).

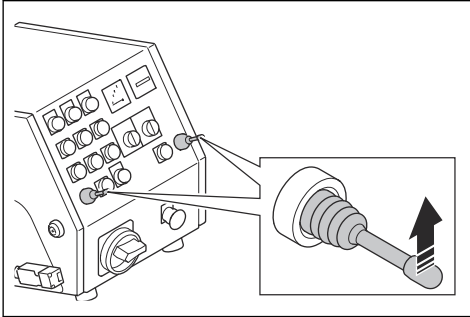
To operate the product



WARNING: Do not lift or tilt the product during operation. Abrasive material comes

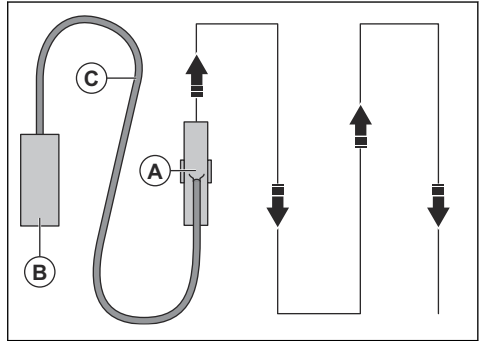
out of the product at high speed and can cause injury.

1. Make sure that the work area is safe. Refer to *Work area safety on page 7*.
2. Fill the separator with abrasive material. Refer to *To fill the product with abrasive material on page 14*.
3. Start the product. Refer to *To start the product on page 15*.
4. Set the speed control dial to the lowest the speed.
5. Push the 2 joysticks forward to operate the product forward.



6. Press and hold the STOP button for the left drive motor to turn the product to the left. Press and hold the STOP button for the right drive motor to turn the product to the right.
7. Pull the control lever for the abrasive material to open the valve. Refer to *To operate the valve for the abrasive material on page 11*.
8. After 2 m/7 ft., push the control lever for the abrasive material to close the valve.
9. Stop the product.
10. Do a check of the blast pattern. Adjust the blast pattern if it is necessary. Refer to *To adjust the blast pattern on page 17*.
11. Select the correct speed. Refer to *To select the correct speed on page 15*.

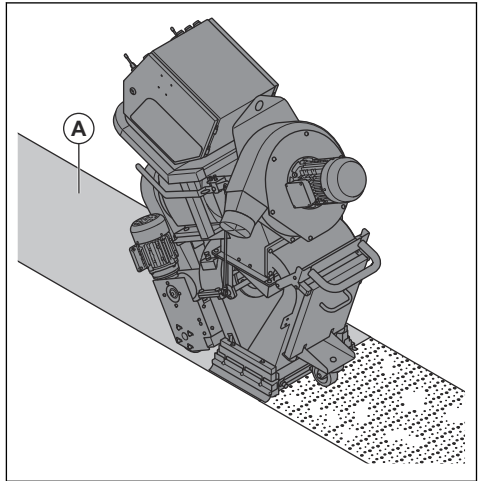
12. Move the product (A) in parallel tracks. The dust collector (B) must be connected to the product (A) by the dust collector hose (C).



13. Push the left joystick backward to turn the product around 360° to the left.
14. Push the right joystick backward to turn the product around 360° to the right.

Blast pattern

The blast pattern (A) is the surface that has received treatment.



For a good result the hotspot must be in the center of the blast pattern. If the hotspot is too far to the left or to the right, turn the control cage. Refer to *To adjust the blast pattern on page 17*.

These are the conditions that have effect on the blast pattern:

- The direction of rotation of the blast wheel blades is correct.
- Increased wear on the blast wheel blades, impeller and control cage.

- The dimension of the abrasive material. It is necessary to adjust the blast pattern when you use abrasive material with different dimension.
- The position of the lateral window in the control cage.
- Different types and hardness of the surface.

To adjust the blast pattern

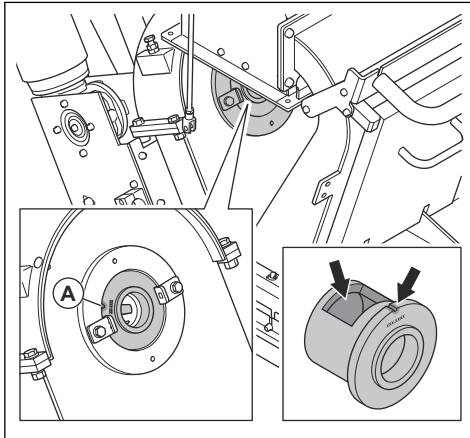


WARNING: Do not adjust, loosen or touch the cage clamps, feed spout and blast wheel blades when the product is on. Disconnect the power supply when you adjust the blast pattern.

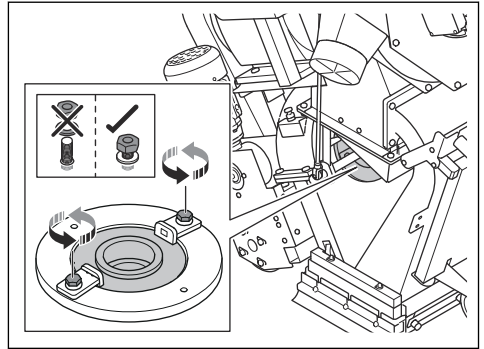


WARNING: Use personal protective equipment when you adjust the blast pattern. Refer to *Personal protective equipment on page 6*.

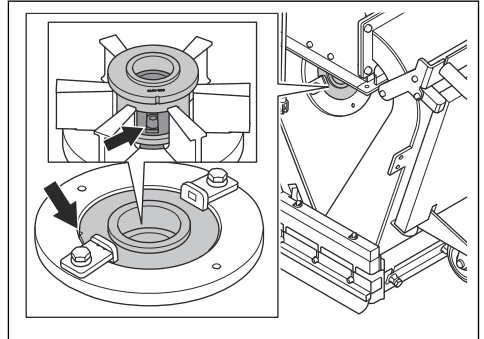
1. Open the separator door and look if there is abrasive material in the hopper. If there is abrasive material in the hopper, empty it. Refer to *To remove abrasive material from the hopper on page 20*.
2. Disconnect the power plug.
3. Remove the hopper. Refer to *To remove and install the hopper on page 20*
4. Make a note of the position of the control cage. Use the notch in the control cage (A) as a guide.



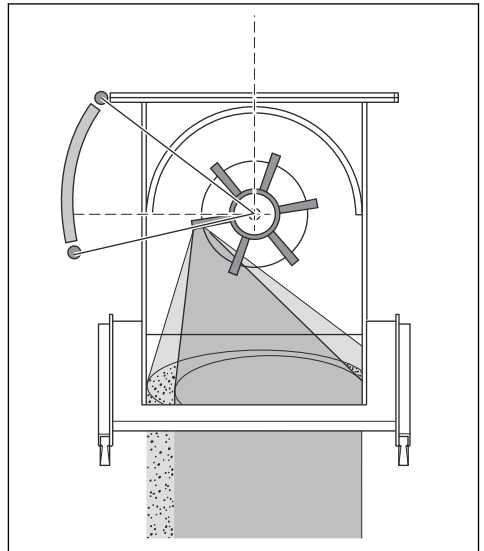
5. Loosen the cage clamps.



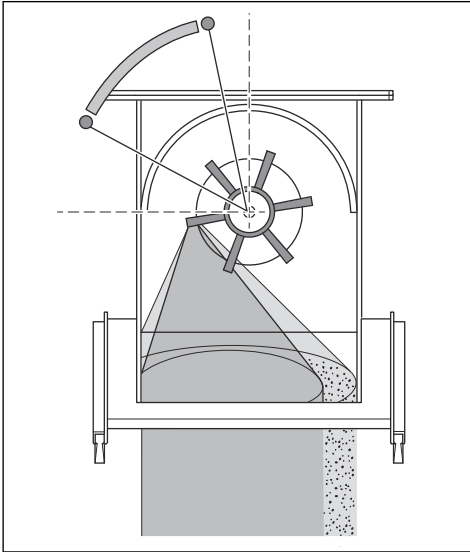
6. Examine the position of the control cage window.



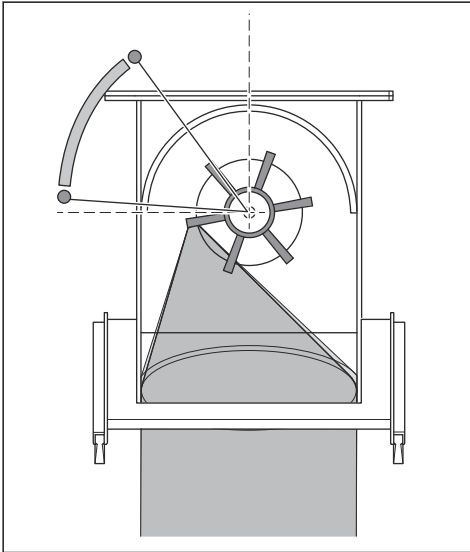
7. Turn the control cage clockwise, if the hotspot is too much on the right side.



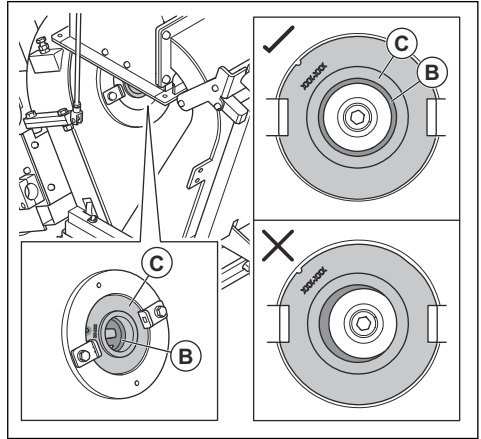
- Turn the control cage counterclockwise, if the hotspot is too much on the left side.



- Make sure that the hotspot is equally applied on the surface for correct adjustment.



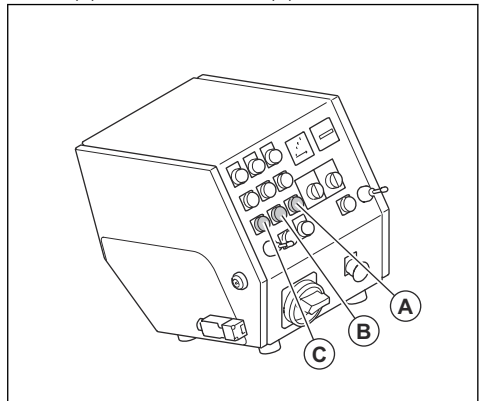
- Make sure that the impeller (B) and the control cage (C) are correctly installed in relation to each other.



- Tighten the cage clamps.
- Use your hands to rotate the impeller and the blast wheel. Make sure that there are no unusual sounds.
- Install the hopper. Refer to *To remove and install the hopper on page 20*.

To stop the product

- Close the valve for the abrasive material. Refer to *To operate the valve for the abrasive material on page 11*.
- Push the stop button for the blast motor (A), the fan unit (B) and the drive motor (C).



- Turn the ON/OFF switch to the OFF position.
- Disconnect the power plug from the power supply.
- Stop the dust collector. Refer to the operator's manual of the dust collector.

Maintenance

Introduction



WARNING: Before you do maintenance, you must read and understand the safety chapter.



WARNING: Use personal protective equipment when you do servicing and maintenance. Refer to *Personal protective equipment on page 6*.



WARNING: Before you do the maintenance, stop the motors and disconnect the power plug from the power source. Make sure that all drives stop.

For all servicing and repair work on the product, special training is necessary. We guarantee the availability of professional repairs and servicing. If your dealer is not a service agent, speak to them for information about the nearest service agent.

For more detailed information, refer to www.husqvarnaconstruction.com.

Maintenance schedule

* = General maintenance done by the operator. The instructions are not given in this operator's manual.

X = The instructions are given in this operator's manual.

O = The instructions are not given in this operator's manual. Let an approved service agent do the maintenance.

General product maintenance	Each 3 h	Daily	12 h after servicing	Each 3 months	Yearly
Empty the dust collector.	*				
Do a check of the of the separator and the separator tray.	X				
Make sure that the power plug and extension cable are in good condition and not damaged.		*			
Do a check of the electrical components, the cables and the connections for wear and damages.		*			
Do a check of the Residual Current operated Device (RCD).		*			
Examine the motors for dirt and damage.		*			
Make sure that the dust collector hose is not damaged and that there is no blockage.		*			
Do a check of the control cage and blast wheel blades for wear. Refer to <i>To do before you operate the product on page 11</i> .		X			
Clean the product.		X			
Do a check of all safety devices.		X			

General product maintenance	Each 3 h	Daily	12 h after servicing	Each 3 months	Yearly
Do a check of the brush list seals and the front rubber seals for wear.		*			
Make sure that the nuts and screws are tight.			*		
Do a check of the V-belt tension.				X	
Do a complete servicing and cleaning of the product.					O

To clean the product

- Always clean all the equipment after use. Use a vacuum cleaner.
- Do not use a high-pressure washer to clean the product.
- Keep the air openings clean and clear to make sure that the product always has sufficiently cool temperature.

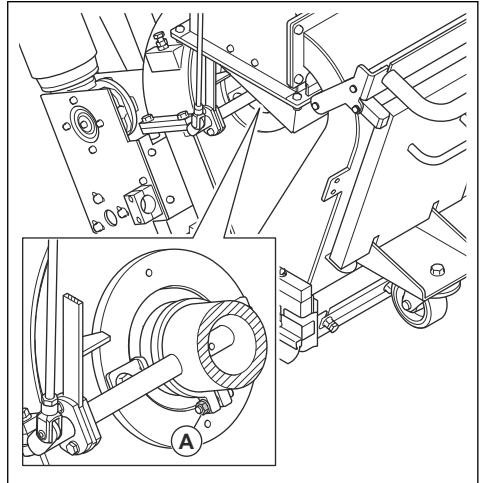
To remove abrasive material from the hopper

1. Start the product. Refer to *To start the product on page 15*.
2. Push the ON button of the blast motor.
3. Push the OFF button of the blast motor when the blast motor is at 75 % of maximum speed. At the same time, open the valve for the abrasive material. Refer to *To operate the valve for the abrasive material on page 11*.
4. After 3 seconds, close the valve for the abrasive material.
5. Operate the product 50 cm rearward.
6. Open the separator door and look if there is remaining abrasive material. If there is remaining abrasive material in the hopper, do the procedure again until the hopper is empty.

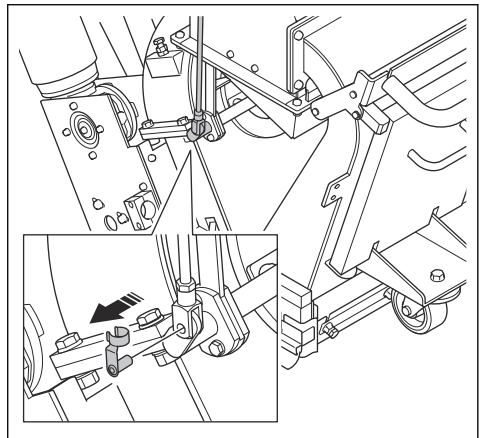
To remove and install the hopper

1. Open the separator door and look if there is abrasive material in the hopper. If there is abrasive material in the hopper, empty it. Refer to *To remove abrasive material from the hopper on page 20*.
2. Disconnect the power plug.

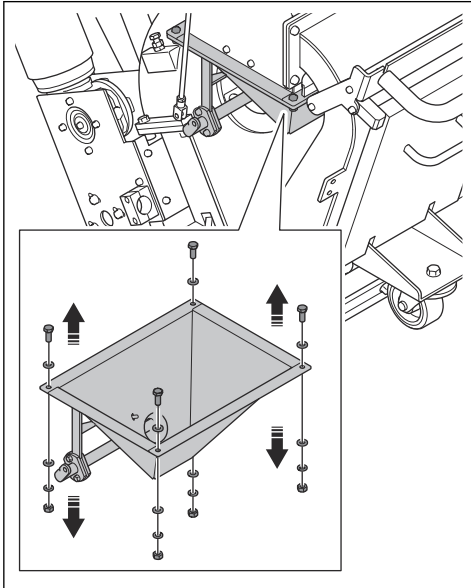
3. Loosen the clamp (A) on the abrasive valve.



4. Loosen the lever for the abrasive valve.



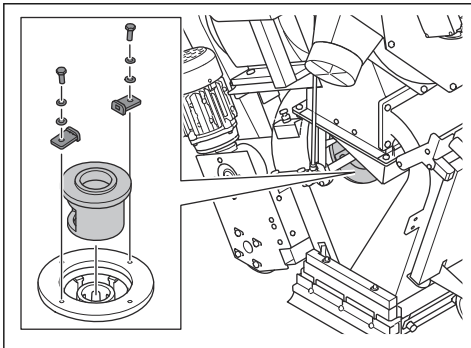
- Remove 4 screws, the 8 washers, the 4 nuts and the hopper.



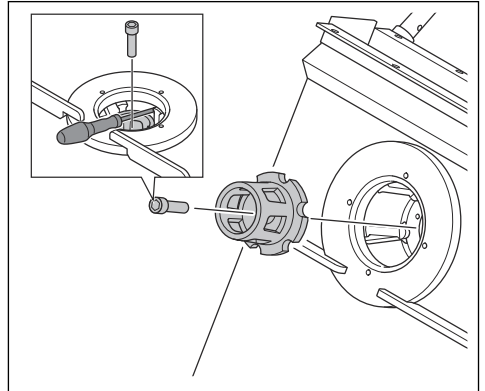
- Install the hopper in the opposite sequence.

To remove the impeller

- Open the separator door and look if there is abrasive material in the hopper. If there is abrasive material in the hopper, empty it. Refer to *To remove abrasive material from the hopper on page 20*.
- Disconnect the power plug.
- Remove the hopper. Refer to *To remove and install the hopper on page 20*.
- Remove the 2 screws, the 4 washers, the 2 cage clamps and the control cage.



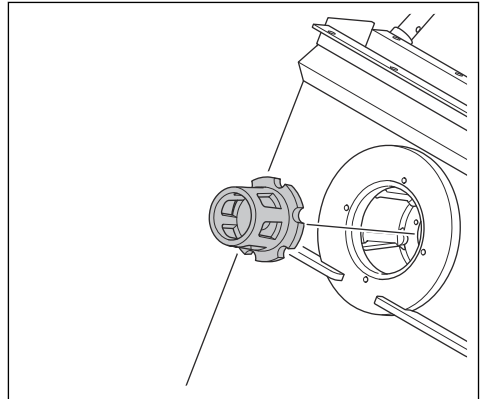
- Put an applicable tool in the blast wheel blades to prevent rotation. Remove the bolt and discard it.



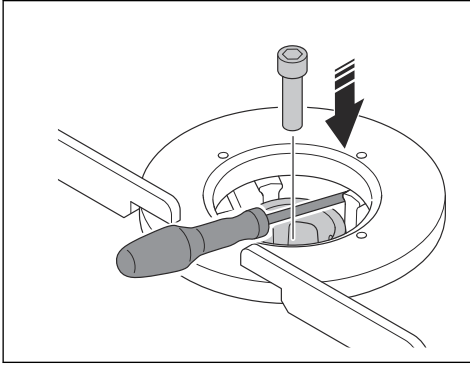
- Remove the impeller.

To install the impeller

- Clean the threads of screw hole for the bolt for the impeller with pressurized air.
- Install the impeller.



- Block the blast wheel blades with an applicable tool and install the bolt for the impeller.

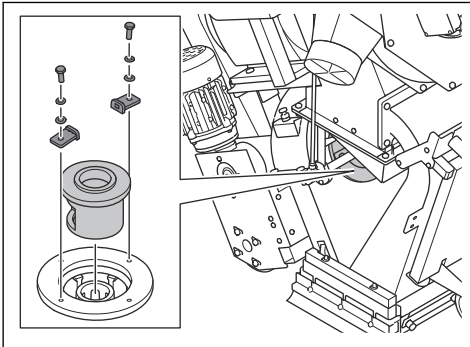


CAUTION: Always use a new bolt.



CAUTION: If you feel unusual resistance when you install the bolt, clean the threads of the screw hole. Do not use force to install the bolt. It can cause damage to the threads.

- Install the 2 screws, the 4 washers, the 2 cage clamps and the control cage.



- Install the hopper. Refer to *To remove and install the hopper on page 20*.

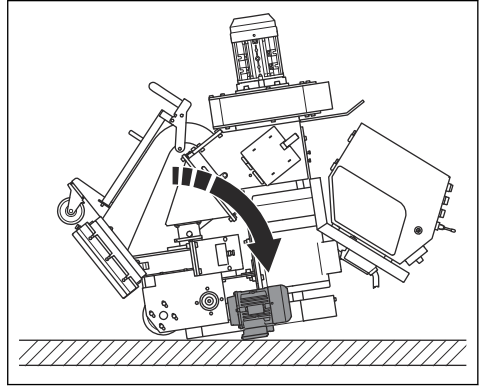
To remove the blast wheel blades



CAUTION: To prevent unbalance in the blast wheel, it is necessary to replace all 6 blast wheel blades at the same time.

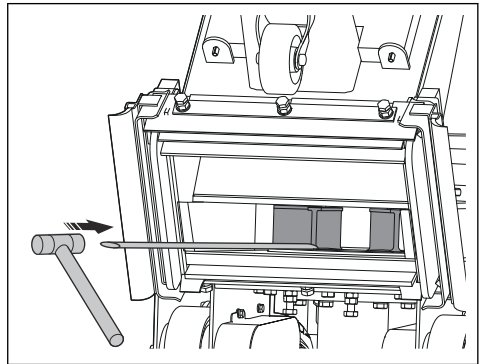
- Remove the hopper. Refer to *To remove the impeller on page 21*.
- Remove the control cage and the impeller. Refer to *To remove the impeller on page 21*.

- Lift the front part of the product and tilt the product rearward.



WARNING: Make sure that the product does not tilt forward.

- Use a brass drift and a hammer to push out the blast wheel blades.



CAUTION: Push at the bottom of the blast wheel blades. There is a risk that the blast wheel blades will break.

- Clean the blast wheel fully to make sure that the blades and impeller will fit correctly and to prevent unbalance of the blast wheel.
- Replace all blades and install the machine in opposite sequence.

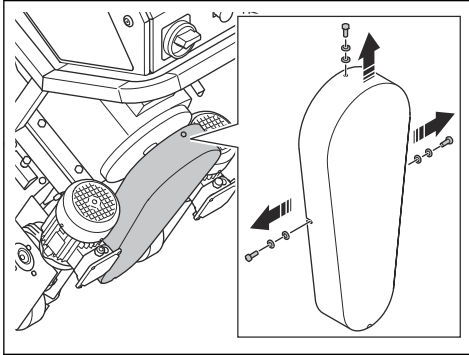
To do a check of the V-belt tension



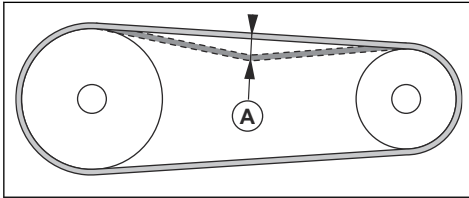
WARNING: Do not operate the product without the V-belt cover installed.

- Stop the product. Refer to *To stop the product on page 18*.

- Remove the 3 screws, the 6 washers and the V-belt cover.



- Examine the V-belt for damages and wear.
- Push the V-belt with your thumb to examine the tension. If you can push the V-belts a distance of 10–15 mm (A), the tension is correct.



- Adjust the v-belt tension if it is necessary. Loosen the 4 bolts of the motor and put strips below the motor foot.
- Replace the V-belt if it is necessary. Refer to *To replace the V-belt on page 23*.
- Install the V-belt cover.

To replace the V-belt



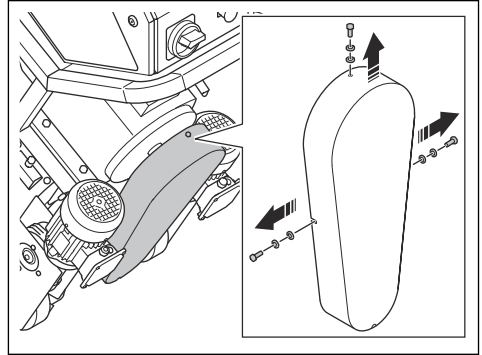
WARNING: Only remove the V-belt cover when the power supply is disconnected and the motors have fully stopped.



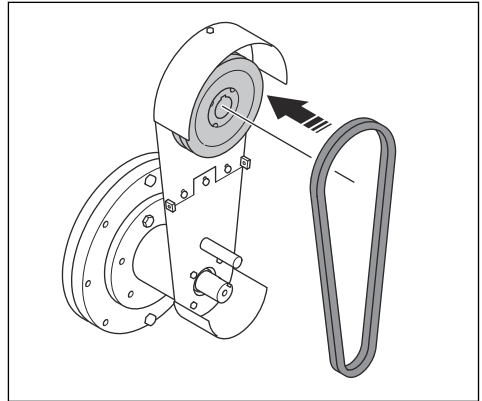
WARNING: Do not operate the product without the V-belt cover installed.

- Stop the product. Refer to *To do a check of the V-belt tension on page 22*.
- Disconnect the power supply.

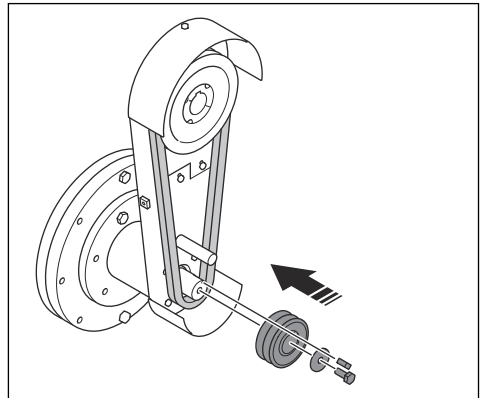
- Remove the 3 screws, the 6 washers and the V-belt cover.



- Loosen the 4 bolts of the motor and remove the strips if necessary.
- Remove the small V-belt pulley and the V-belt.
- Put the new V-belt on the large V-belt pulley.

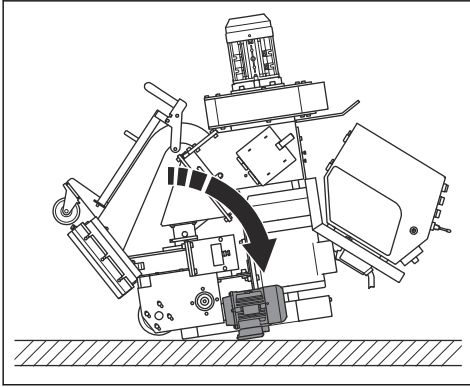


- Put the new V-belt around the small V-belt pulley.
- Install the small V-belt pulley.



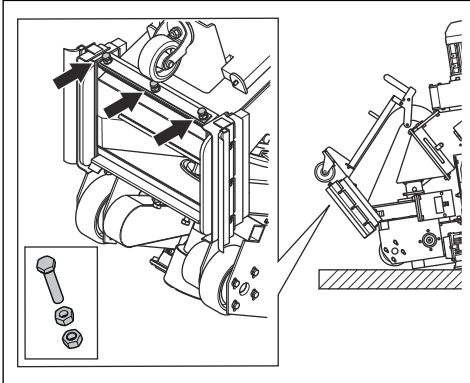
To replace the front rubber seals

1. Lift the front part of the product and tilt the product rearward.

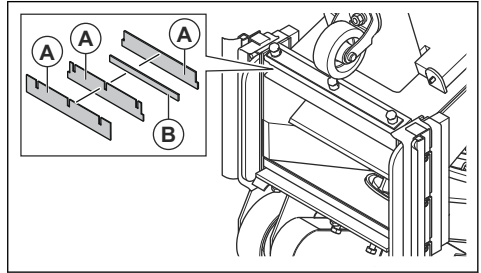


WARNING: Make sure that the product does not tilt forward.

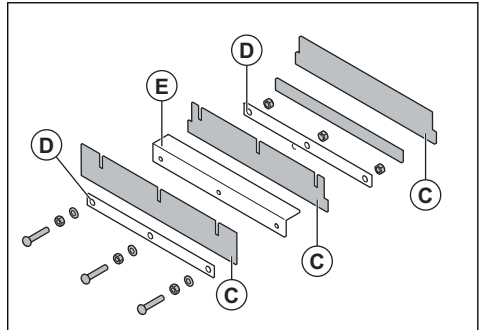
2. Loosen the 6 nuts and then loosen the 3 bolts.



3. Remove the 3 front rubber seals (A) and the metal strip (B).



4. Install the new front rubber seals (C) with the steel strips (D) between the front rubber seals. The angle strip (E) is part of the body and can not come off.



5. Install the 3 bolts, tighten the inner nuts first and then the outer nuts.
6. Put the front wheel on the surface.

Troubleshooting

Problem	Cause	Solution
Too much vibration and/or unusual noises.	The blast wheel blades are worn or damaged.	Replace the parts that are worn or damaged.
	The impeller is worn.	Replace the impeller.
	The blast wheel blades and control cage are not correctly aligned.	Do a check of the blast wheel blades and control cage.
	There are loose screws and nuts.	Tighten all screws and nuts.
	The blast motor is damaged.	Speak to an approved Husqvarna service agent.
	The wheels are damaged.	Replace the wheels.
Decreased or no performance.	The supply of abrasive material to the blast wheel blades is not sufficient.	Clean the separator tray and fill the separator with abrasive material. Do a check of the valve for the abrasive material and make sure that there is no blockage.
	The type of abrasive material is incorrect for the surface.	Replace the abrasive material with correct abrasive material for the surface.
	The abrasive material has contamination.	Do a check of the dust collector and dust collector hose.
	The blast wheel blades or the control cage is worn or damaged.	Replace the blast wheel blades or the control cage.
	Too much abrasive material hits the surface at the start of the operation.	Close the valve for the abrasive material and stop the product. Start the operation again and slowly open the valve for the abrasive material.
	The control cage is not installed correctly.	Adjust the control cage to set a better blast pattern.
	The operation speed of the product is too high.	Decrease the operation speed.
Abrasive material comes out of the product.	The seals are damaged.	Do a check of all the seals and replace if it is necessary.
	The quality of abrasive material is not satisfactory.	Speak to your dealer for more information.
	The blast wheel blades are worn or damaged.	Replace the blast wheel blades.
The abrasive material has more contamination than usual.	The suction power of the dust collector is not sufficient.	Do a check of the dust collector hose and the dust collector.
	The dust collector hose is blocked or damaged.	Do a check of the dust collector hose. Make sure that there is no blockage. Replace the dust collector hose if it is necessary.

Problem	Cause	Solution
The wear is more than usual on parts of the housing.	The type of abrasive material is incorrect.	Speak to your dealer for more information.
	The control cage is not installed correctly.	Adjust the control cage to set a better blast pattern.
	The suction power of the dust collector is not sufficient.	Do a check of the dust collector hose and the dust collector.
The product does not move.	The operation speed is too low.	Increase the operation speed.
	The control unit is damaged.	Replace the control unit.
	The speed control knob is damaged.	Speak to an approved Husqvarna service agent.
	The fuse is damaged.	
	The hydraulic circuit does not operate correctly.	
The control system does not start.	The motor protection switch is engaged.	Start the product again. Do a check of the power supply.
The control system stops during operation.	The power supply cable is damaged.	Replace the cable.
	The cable between the product and the dust collector is damaged.	Replace the cable.
	The motor protection switch is engaged.	Let an approved electrician do a check.
	The dust collector stops because of overload.	Let an approved electrician do a check.

Transportation, storage and disposal

Transportation



WARNING: Be careful during transportation. The product is heavy and can cause injury or damage if it falls or moves during transportation.



CAUTION: Do not tow the product behind a vehicle.

- Disconnect the electrical cable and dust collector hose before transportation.
- Remove the abrasive material before transportation. Refer to *To remove abrasive material from the hopper on page 20*.
- Put some type of protection on the product during transportation. The protection keeps natural elements, for example rain and snow, away from the product during transportation.

To move the product up and down a ramp



WARNING: Be very careful when you move the product up and down ramps. The product is heavy and there is a risk of injury if the product falls or moves too quickly.



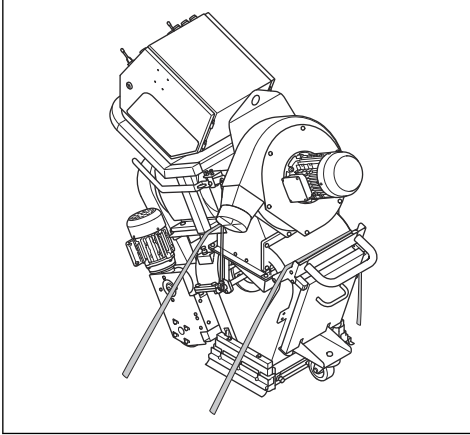
WARNING: For ramps with a steep slope, always use a winch. Do not walk or stay below or near the product.

- To move the product down a ramp, operate the product forward slowly.
- To move the product up a ramp, operate the product rearward slowly.
- Do not turn the product to the left or to the right more than 45° on a ramp.

To attach the product to a transportation vehicle

Attach the product during transportation to prevent accidents and damage to the equipment. Use tie-down straps to attach the product to the transportation vehicle.

1. Put the product on the transportation vehicle.
2. Attach tie-down straps around the product.



3. Attach and tighten tie-down straps to the transportation vehicle.

To lift the product



WARNING: Make sure that the lifting equipment has the correct specification to lift the product safely. The type plate on the product shows the product weight.

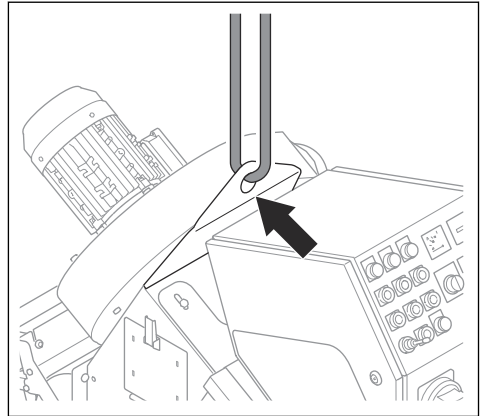


WARNING: Do not walk or stay below or near a lifted product. Keep bystanders away from the work area.



WARNING: Do not lift a damaged product. Make sure that the lifting eye is correctly installed and not damaged.

1. Attach the lifting equipment at the lifting eye.

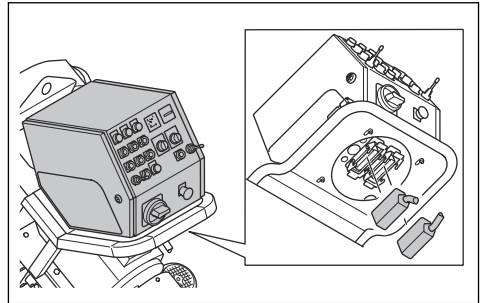


2. Lift the product safely. Hold the handle until the product is lifted off the ground.

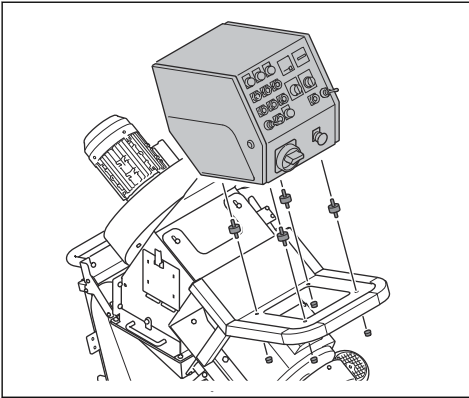
To disassemble the product

To move the product through small openings you can disassemble the product.

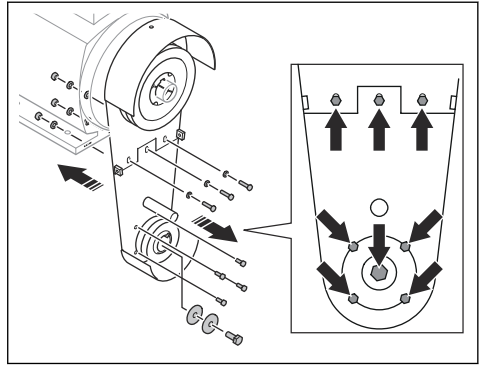
1. Open the separator door and look if there is abrasive material in the hopper. If there is abrasive material in the hopper, empty it. Refer to *To remove abrasive material from the hopper on page 20*.
2. Disconnect the product from the power supply.
3. Remove the dust collector hose.
4. Cut the cable ties that hold the power supply cables.
5. Disconnect the cables to the control panel.



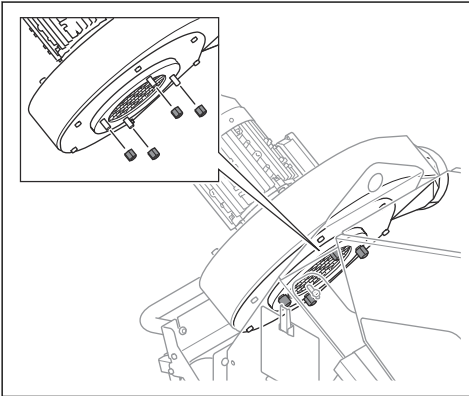
6. Remove the control panel.



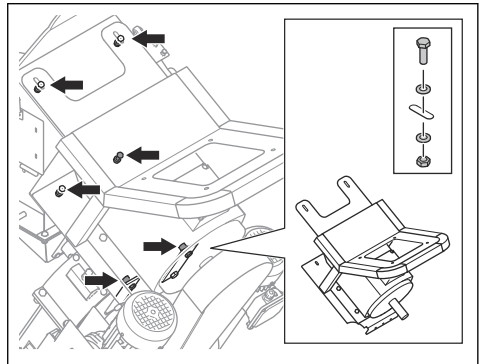
9. Remove the V-belt mount plate.



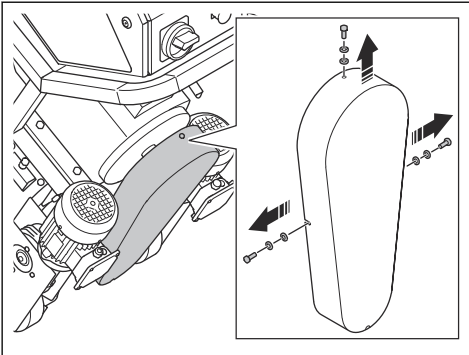
7. Remove the fan housing.



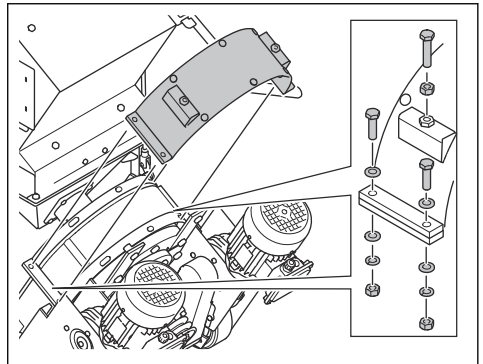
10. Remove the blast motor mount plate and the blast motor.



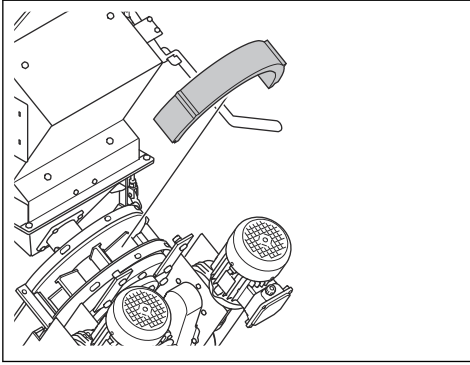
8. Remove the V-belt cover.



11. Remove the top liner cover.

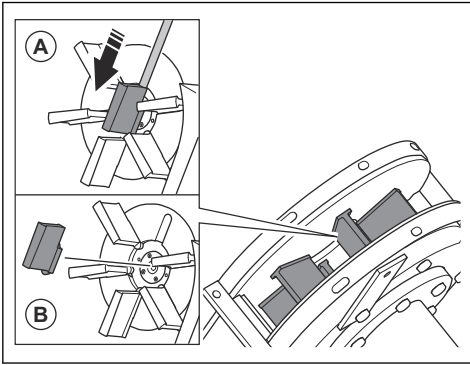


12. Remove the top liner.



13. Remove the impeller. Refer to *To remove the blast wheel blades on page 22*.

14. Use a brass drift and a hammer to push down the blast wheel blades (A).



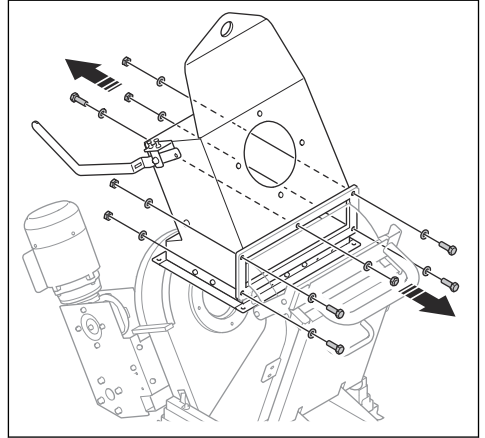
CAUTION: Push at the bottom of the blast wheel blades. There is a risk that the blast wheel blades break.

15. Remove and discard the blast wheel blades (B).

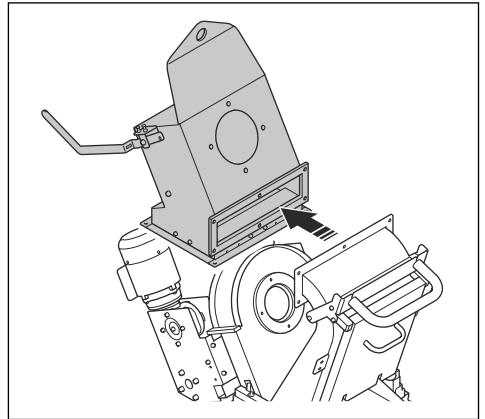


CAUTION: To prevent unbalance in the blast wheel, it is necessary to replace all 6 blast wheel blades at the same time.

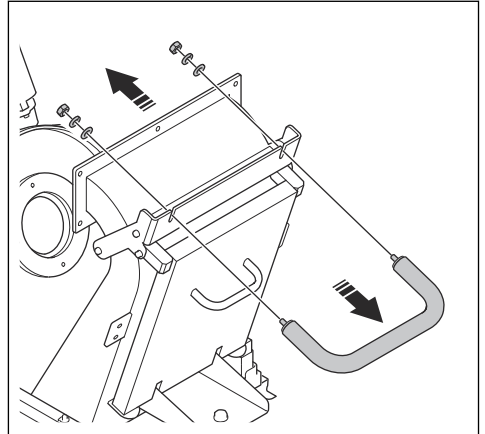
16. Remove the screws that hold the separator.



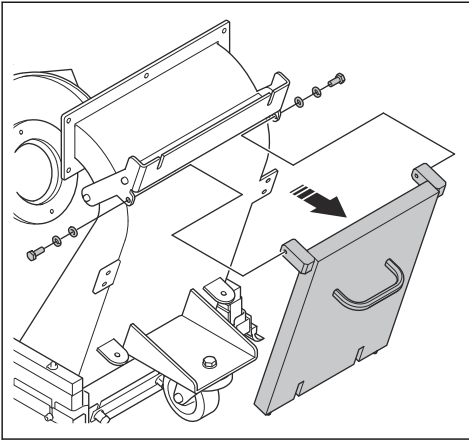
17. Remove the separator.



18. Remove the protection handle.

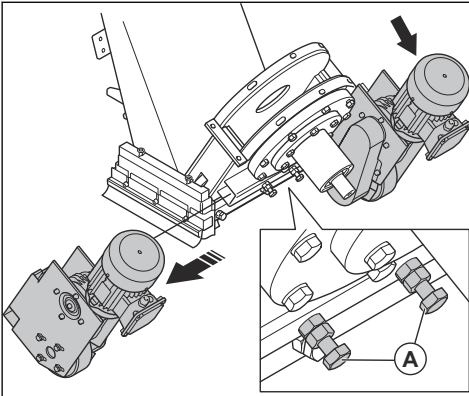


19. Remove the protection cover.



- When the product no longer is used, send it to a Husqvarna dealer or discard it at a recycling location.

20. Loosen the 2 bolts (A) and remove the drive wheel system.



21. Assemble the product in the opposite sequence.

Storage



CAUTION: Do not put the product in storage outdoors. Always keep the product indoors.

- Keep the product in a dry and frost-free area.
- Clean the product and do a complete servicing before you put the product in storage.
- Keep the product in a locked area to prevent access for children or persons that are not approved.
- Remove the abrasive material from the separator before storage.

Disposal of the product

- Obey the local recycling requirements and applicable regulations.

Technical data

	EBE 350E - 50Hz	EBE 350E - 60Hz
Rated power, W	11324	15380
Rated voltage, V	400	480/277
Rated frequency, Hz	50	60
Rated current, A	25	24.4
Cable length, m/ft	25/82	
Power cable type	4×6mm ²	4×AWG8
Operation width, mm/in	350/13.7	
Minimum cleaning gradeability, deg/%	10/18	
Drive speed, m/min / ft/min	0–15/0–49	
Weight, kg/lb	430/948	
Operation temperature °C/°F	–5–40/23–104	
Diameter dust extractor hose connection, mm/in.	130/5	
Dust extractor	Speak to a Husqvarna service agent for more information.	

Note: If your product requires an electrical specification that is not in the table, speak to a Husqvarna service agent for more information.

Noise and vibration emissions

Noise emission	
Sound power level, measured LWA dB (A). ¹	111
Sound pressure level at the operator's ear, LP dB (A) ²	94
Vibration levels	
Main handle, m/s ² ³	0.4
¹ Sound power level determined according to EN ISO 3747. Measured on steel surface. Uncertainty Kwa 2.5 dB ² Sound pressure level determined according to EN ISO 11202. Measured on steel surface. Uncertainty Kpa 3 dB ³ Weighted effective acceleration measured at the handle according to EN ISO 20643. Measured on steel surface. Uncertainty K 0.1 m/s ²	

Approved abrasive material

Approved abrasive material	High carbon steel shot				High carbon steel grit	
	S-330	S-390	S-460	S-550*	SG25*	SG16*
Dimension, mm	1.0	1.2	1.4	1.7	1.0	1.4
Hardness, HRC	45–52					
* special operations						

Noise and vibration declaration statement

These declared values were obtained by laboratory type testing in accordance with the stated directive or standards and are suitable for comparison with the declared values of other products tested in accordance with the same directive or standards. These declared

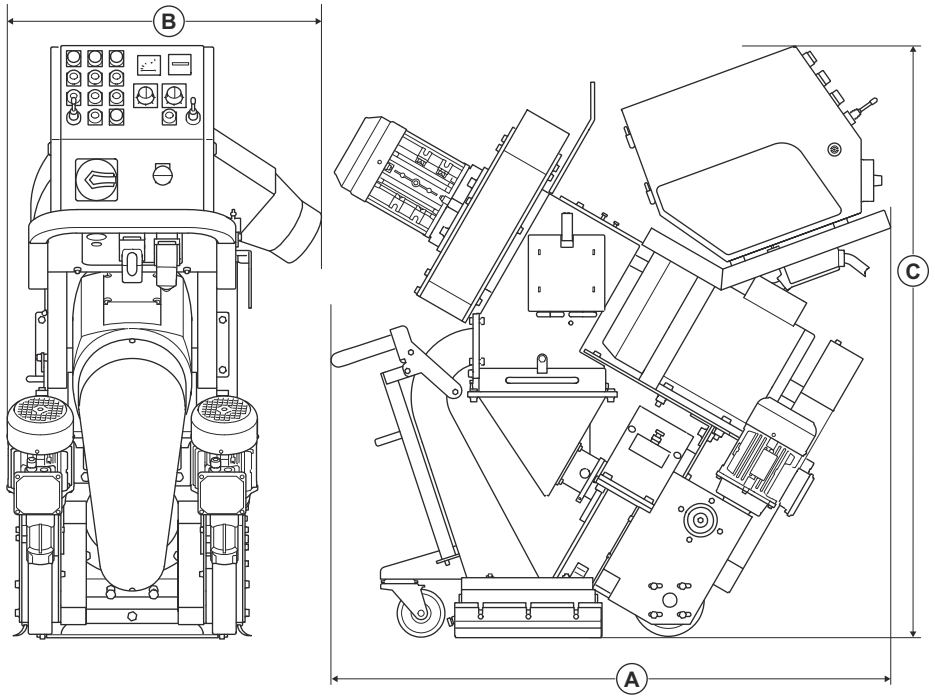
values are not suitable for use in risk assessments and values measured in individual work places may be higher. The actual exposure values and risk of harm experienced by an individual user are unique and depend upon the way the user works, in what material the product is used, as well as upon the exposure time and the physical condition of the user, and the condition of the product.

Extension cables

Cable length	Cross section			
	≤ 16 A	≤ 32 A	≤ 63 A	≤ 125 A
Calculated at a pre-fuse GG ¹ :	16 amp	32 amp	63 amp	125 amp
> 20m	1.5 mm ²	2.5 mm ²	10 mm ²	25 mm ²
20m > 50m	2.5 mm ²	4 mm ²	10 mm ²	25 mm ²
50m > 75m	4 mm ²	6 mm ²	16 mm ²	35 mm ²

¹ The cross sections must be re-calculated when other type or dimension pre-fuse are used than is given.

Product dimensions



A	Length, mm/in.	1350/53
B	Width, mm/in.	650/25.6
C	Height, mm/in.	1100/43

Declaration of Conformity

EU Declaration of Conformity

We, Husqvarna AB, SE 561 82 Huskvarna, SWEDEN,
Tel. +46 36 146500, declare on our sole responsibility
that the product:

Description	Steel shot blaster
Brand	Husqvarna
Type/Model	EBE 350
Identification	Serial numbers dating from 2023 and onwards

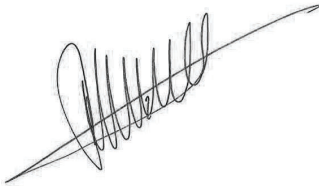
complies fully with the following EU directives and
regulations:

Directive/Regulation	Description
2006/42/EC	"relating to machinery"
2014/30/EU	"relating to electromagnetic compatibility"

and that the following standards and/or technical
specifications are applied;

EN ISO 12100:2010

Soest, Netherlands, 20



René van der Grint

Director CS&F INFRA, Product Category Concrete
Surfaces & Floors

Husqvarna AB, Construction Division

Responsible for technical documentation, available at
Nieuwegracht 9, 3763 LP Soest, Netherlands.



Inhalt

Einleitung.....	35	Transport, Lagerung und Entsorgung.....	61
Sicherheit.....	38	Technische Daten	66
Betrieb.....	45	Lärm- und Vibrationsemissionen.....	66
Wartung.....	53	Konformitätserklärung.....	69
Fehlersuche.....	60		

Einleitung

Pflichten des Betreibers



WARNUNG: Die Verarbeitung von Beton und Stein mittels Verfahren wie Schneiden, Schleifen oder Bohren erzeugt (insbesondere im Trockenbetrieb) Staub, der aus dem zu bearbeitenden Material stammt und häufig Siliziumdioxid enthält. Siliziumdioxid ist ein grundlegender Bestandteil von Sand, Quarz, Ziegelton, Granit und zahlreichen anderen Mineralien und Gesteinen. Einer übermäßigen Menge davon ausgesetzt zu werden, kann zu Folgendem führen:

Atemwegserkrankungen (die die Atmung beeinträchtigen), darunter chronische Bronchitis, Silikose und Lungenfibrose durch den Kontakt mit Siliziumdioxid. Diese Krankheiten können lebensgefährlich sein.

Hautreizungen und Hautausschlag.

Krebserkrankung gemäß NTP* und IARC* */ National Toxicology Program, Internationale Agentur für Krebsforschung.

Ergreifen Sie Vorsichtsmaßnahmen:

Vermeiden Sie das Einatmen von und den Hautkontakt mit Staub, Nebel und Dämpfen.

Tragen Sie geeigneten Atemschutz, und stellen Sie sicher, dass alle umstehenden Personen ebenfalls geeigneten Atemschutz tragen, wie z. B. Atemschutzmasken, die mikroskopisch kleine Partikel filtern. (Siehe OSHA 29 CFR Teil 1926.1153)

Verwenden Sie einen geeigneten Staubabscheider, um die Staubemissionen zu minimieren.

Der Betreiber ist verpflichtet, nur entsprechend ausgebildete Personen mit der Bedienung des Gerätes zu betrauen. Aufsichtspersonen und Bediener haben sämtliche Anweisungen in dieser Betriebsanleitung zur Kenntnis zu nehmen. Insbesondere ist auf Folgendes zu achten:

- Sicherheitshinweise des Geräts.
- Vorgesehene Anwendungsbereiche des Geräts.
- Nutzungs- und Wartungshinweise des Geräts.

Die Nutzung dieses Geräts ist möglicherweise durch nationale/örtliche Bestimmungen eingeschränkt. Erkundigen Sie sich vor der Inbetriebnahme des Geräts über geltende Bestimmungen.

Gerätebeschreibung

Bei dem Gerät handelt es sich um eine handgeführte, mit einem Elektromotor betriebene Stahlstrahlmaschine für die Bearbeitung horizontaler Flächen. Das Gerät verfügt über ein Schleuderrad, das Strahlmittel auf die Oberfläche schleudert. Das Gerät muss während des Betriebs an einen geeigneten Staubabscheider angeschlossen sein.

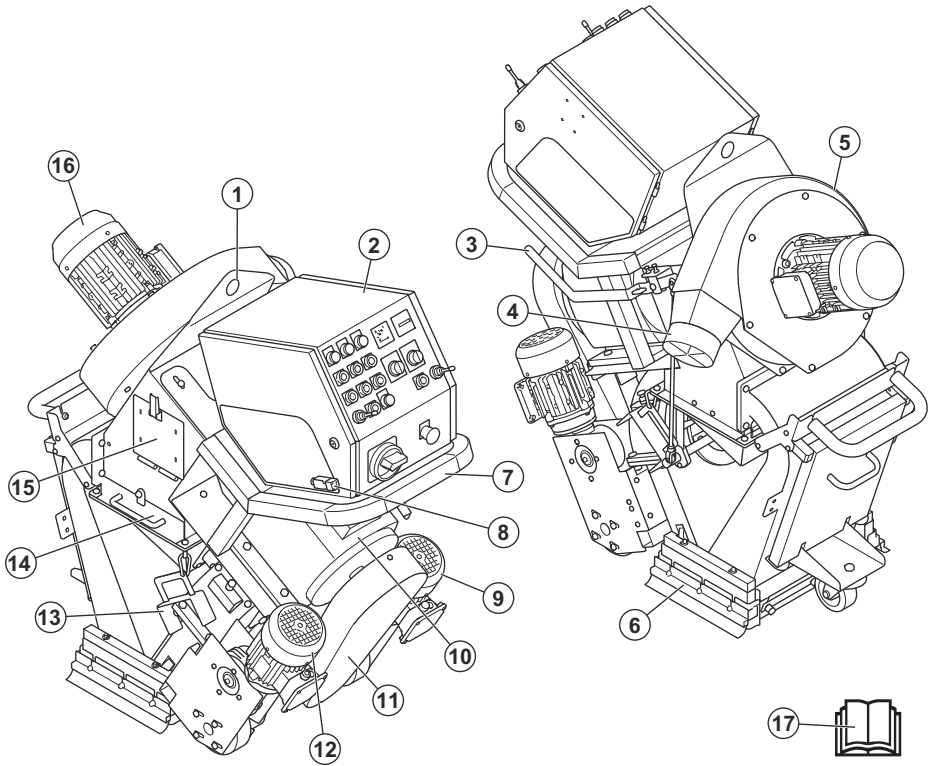
Verwendungszweck

Das Gerät wird zum Entfernen von Lackschichten, Dichtstoffen und Verunreinigungen auf Stahloberflächen verwendet. Verwenden Sie das Gerät nur auf trockenen, frostfreien und waagerechten Oberflächen.

Das Gerät ist für den gewerblichen Betrieb und für professionelle Bediener vorgesehen.

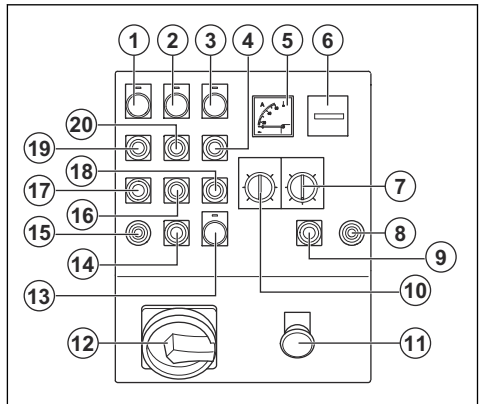
Verwenden Sie das Gerät nicht für andere Aufgaben.

Geräteübersicht



1. Hebeöse
2. Bedienfeld, siehe *Bedienfeld auf Seite 36*
3. Steuerhebel für das Strahlmittel
4. Anschluss des Staubabscheiders
5. Lüftereinheit
6. Dichtungen der Bürstenleiste
7. Handgriff
8. Bedieneranwesenheitskontrolle (OPC)
9. Rechter Antriebsmotor
10. Strahlmotor
11. Keilriemenabdeckung
12. Linker Antriebsmotor
13. Seitliche Dichtungshalterung
14. Auszug des Abscheiders
15. Abscheiderklappe
16. Lüftereinheit
17. Bedienungsanleitung

Bedienfeld



1. Anzeige für das Bedienfeld
2. Anzeige für die Lüftereinheit

3. Anzeige für den Strahlmotor
4. ON-Taste für den Strahlmotor
5. Amperemeter (Strommessgerät)
6. Betriebsstundenzähler
7. Potentiometer zur Nachführung
8. Joystick für den rechten Antriebsmotor
9. STOP-Taste für den rechten Antriebsmotor
10. Drehzahlregelung
11. Not-Aus-Taste
12. ON/OFF-Hauptschalter
13. Kontrollleuchte, Anzeige der Stromversorgung
14. STOP-Taste für den linken Antriebsmotor
15. Joystick für den linken Antriebsmotor
16. OFF-Taste für die Lüftereinheit
17. OFF-Taste für die Antriebsmotoren
18. OFF-Taste für den Strahlmotor
19. ON-Taste für die Antriebsmotoren
20. ON-Taste für die Lüftereinheit

Symbole auf dem Gerät



WARNUNG: Dieses Gerät kann gefährlich sein und schwere oder tödliche Verletzungen des Bedieners oder anderer Personen verursachen. Gehen Sie vorsichtig vor, und verwenden Sie das Gerät ordnungsgemäß.



Lesen Sie die Bedienungsanleitung sorgfältig durch, und machen Sie sich mit den Anweisungen vertraut, bevor Sie das Gerät verwenden.



Tragen Sie einen zugelassenen Atemschutz.



Tragen Sie einen zugelassenen Gehörschutz.



Tragen Sie einen zugelassenen Augenschutz.



Tragen Sie zugelassene Schutzhandschuhe.



Tragen Sie zugelassene Schutzstiefel.



Hochspannung.



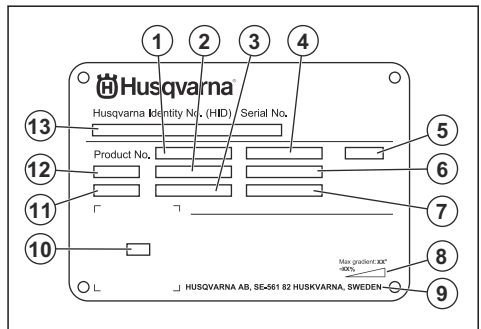
Aufnahmepunkt.



Dieses Gerät entspricht den geltenden EU-Richtlinien.

Hinweis: Sonstige Symbole/Aufkleber auf dem Gerät beziehen sich auf spezielle Zertifizierungsanforderungen, die in bestimmten Ländern gelten.

Typenschild



1. Gerätenummer
2. Gerätegewicht
3. Nennleistung
4. Nennspannung
5. Gehäuse
6. Nennstrom
7. Häufigkeit
8. Maximaler Neigungswinkel
9. Hersteller
10. Scanbarer Code
11. Baujahr
12. Modell
13. Seriennummer

Produktschäden

Wir haften nicht für Schäden an unserem Produkt, wenn:

- das Gerät nicht ordnungsgemäß repariert wird.
- das Gerät mit Teilen repariert wird, die nicht vom Hersteller stammen oder nicht vom Hersteller zugelassen sind.

- ein Zubehöriteil mit dem Gerät verwendet wird, das nicht vom Hersteller stammt oder nicht vom Hersteller zugelassen ist.

- das Gerät nicht bei einem zugelassenen Service Center oder von einem zugelassenen Fachmann repariert wird.

Sicherheit

Sicherheitsdefinitionen

Warnungen, Vorsichtsmaßnahmen und Hinweise werden verwendet, um auf besonders wichtige Teile der Bedienungsanleitung hinzuweisen.



WARNUNG: Wird verwendet, wenn bei Nichtbeachtung der Anweisungen in diesem Handbuch die Gefahr von Verletzung oder Tod des Bedieners oder anderer Personen besteht.



ACHTUNG: Wird verwendet, wenn bei Nichtbeachtung der Anweisungen in diesem Handbuch die Gefahr von Schäden am Gerät, an anderen Materialien oder in der Umgebung besteht.

Hinweis: Für weitere Informationen, die in bestimmten Situationen nötig sind.

Allgemeine Sicherheitshinweise



WARNUNG: Lesen Sie die folgenden Warnhinweise, bevor Sie das Gerät verwenden.

- Dieses Gerät ist ein gefährliches Werkzeug, wenn Sie nicht aufpassen oder es unsachgemäß verwenden. Dieses Gerät kann schwere oder tödliche Verletzungen des Bedieners oder anderer Personen verursachen. Es ist sehr wichtig, dass Sie vor der Anwendung des Produkts den Inhalt dieser Bedienungsanleitung gelesen und verstanden haben.
- Der Gebrauch dieses Geräts ist Personen (einschließlich Kindern), die über eingeschränkte körperliche, sensorische oder geistige Fähigkeiten verfügen oder denen es an der erforderlichen Erfahrung und Kenntnissen mangelt, untersagt.
- Bewahren Sie alle Warn- und Sicherheitshinweise auf.
- Halten Sie alle geltenden Gesetze und Vorschriften ein.
- Der Bediener und dessen Arbeitgeber müssen die mit dem Betrieb des Geräts verbundenen Gefahren kennen und vermeiden.
- Untersagen Sie allen Personen die Benutzung des Geräts, bis diese den Inhalt der Bedienungsanleitung gelesen und verstanden haben.

- Verwenden Sie das Gerät nicht, ohne vorher dafür geschult worden zu sein. Stellen Sie sicher, dass alle Bediener Schulungen erhalten.
- Lassen Sie nicht zu, dass Kinder das Gerät verwenden.
- Es dürfen nur zugelassene Personen mit dem Gerät arbeiten.
- Der Bediener ist für Unfälle verantwortlich, die anderen Personen zustoßen oder an deren Eigentum entstehen.
- Verwenden Sie das Gerät nicht, wenn Sie müde oder krank sind oder unter Einfluss von Alkohol, Drogen oder Medikamenten stehen.
- Lassen Sie immer Vorsicht walten, und arbeiten Sie mit gesundem Menschenverstand.
- Halten Sie das Gerät sauber. Stellen Sie sicher, dass Symbole und Aufkleber deutlich lesbar sind.
- Verwenden Sie das Gerät nicht, wenn es beschädigt ist oder nicht ordnungsgemäß funktioniert.
- Nehmen Sie keine Modifikationen am Gerät vor.
- Bedienen Sie das Gerät nicht, wenn die Möglichkeit besteht, dass andere Personen Modifikationen daran durchgeführt haben.

Sicherheitshinweise für den Betrieb



WARNUNG: Lesen Sie die folgenden Warnhinweise, bevor Sie das Gerät verwenden.

- Tragen Sie eine persönliche Schutzausrüstung. Siehe *Persönliche Schutzausrüstung auf Seite 40*.
- Eine übermäßige Belastung durch Vibrationen kann bei Personen mit verminderter Durchblutung Kreislauf- oder Nervenschäden verursachen. Suchen Sie einen Arzt auf, wenn Sie an Ihrem Körper Symptome feststellen, die darauf hinweisen, dass Sie zu starken Vibrationen ausgesetzt waren. Zu diesen Symptomen zählen beispielsweise Einschlafen von Körperteilen, Gefühlsverlust, Kitzeln, Stechen, Schmerz, Verlust oder Beeinträchtigung der normalen Körperkraft, Veränderungen der Hautfarbe oder der Hautbeschaffenheit. Diese Beschwerden treten normalerweise in den Fingern, Händen und Handgelenken auf.
- Bedienen Sie das Gerät nicht, ohne dass alle Schutzabdeckungen montiert sind.
- Stellen Sie sicher, dass Sie wissen, wie die Motoren in einem Notfall schnell gestoppt werden kann.
- Bevor Sie sich vom Gerät entfernen, stoppen Sie die Motoren, und ziehen Sie das Netzkabel ab. Stellen

- Sie sicher, dass versehentliches Starten verhindert wird.
- Achten Sie darauf, dass sich Kleidung, langes Haar und Schmuck nicht in beweglichen Teilen verfangen können.
 - Stellen Sie sicher, dass Sie während der Arbeit eine sichere und stabile Position einnehmen.
 - Stellen Sie sicher, dass keine Schrauben oder Muttern locker sind.
 - Heben oder kippen Sie das Gerät nicht während des Betriebs an. Strahlmittel tritt mit hoher Geschwindigkeit aus dem Gerät aus und kann Verletzungen verursachen. Ziehen Sie stets den Stecker vom Netz, bevor Sie das Gerät anheben oder kippen.
 - Stellen Sie sicher, dass Abscheider und Abscheider-Auszug während des Betriebs geschlossen sind.
 - Bedienen Sie das Gerät nur dann, wenn Sie bei einem Unfall Hilfe bekommen können.
 - Verwenden Sie immer zugelassenes Zubehör. Ihr Husqvarna-Händler steht Ihnen gern für weitere Informationen zur Verfügung.
 - Wenn Vibrationen im Gerät auftreten oder es ungewöhnlich laut ist, stoppen Sie es umgehend. Ziehen Sie den Netzstecker aus der Steckdose. Untersuchen Sie das Gerät auf beschädigte Teile. Reparieren Sie Schäden, oder lassen Sie eine zugelassene Servicewerkstatt die Reparatur durchführen.
 - Schließen Sie das Gerät zur Entfernung des Staubs immer an einen Staubabscheider an.
 - Ziehen Sie nicht am Schlauch des Staubabscheiders. Das Gerät kann herunterfallen und Verletzungen oder Schäden verursachen.
 - Lassen Sie den Staubabscheider eingeschaltet, bis die Motoren ganz zum Stillstand gekommen sind.
 - Bedienen Sie das Gerät nur von hinten mit Ihren Händen am Handgriff.
 - Achten Sie darauf, dass sich auf den Handgriffen kein Fett oder Öl befindet.
 - Achten Sie darauf, dass die Dichtungen der Bürstenleiste nicht beschädigt sind.
 - Achten Sie darauf, dass die Dichtungen der Bürstenleiste in der richtigen Höhe installiert sind.
 - Verwenden Sie stets nur zugelassenes Strahlmittel. Ihr Husqvarna-Händler steht Ihnen gern für weitere Informationen zur Verfügung. Siehe *Zugelassenes Strahlmittel auf Seite 67*.
 - Stellen Sie sicher, dass die Lüftereinheit die richtige Drehrichtung hat. Die richtige Drehrichtung ist mit einem Pfeil auf der Abdeckung der Lüftereinheit angegeben.

Schutz vor Vibrationen



WARNUNG: Lesen Sie die folgenden Warnhinweise, bevor Sie das Gerät verwenden.

- Beim Betrieb des Geräts kommt es zu Vibrationen, die vom Gerät auf den Bediener übertragen werden. Regelmäßiger und häufiger Betrieb des Geräts kann zu Verletzungen des Bedieners führen oder Symptome verstärken. Es kann zu Verletzungen an Fingern, Händen, Handgelenken, Armen, Schultern und/oder Nerven sowie bei der Blutversorgung oder an anderen Körperteilen kommen. Die Verletzungen können hinderlich und/oder chronisch werden und sich allmählich über Wochen, Monate oder Jahre hinweg verstärken. Zu möglichen Verletzungen können Schäden am Blutkreislauf, am Nervensystem, an Gelenken und anderen Körperteilen gehören.
- Symptome können während des Betriebs des Geräts oder zu einem anderen Zeitpunkt auftreten. Wenn Sie bereits Symptome haben und das Gerät weiter bedienen, können sich die Symptome verstärken oder chronisch werden. Wenn Sie diese oder andere Symptome an sich bemerken, wenden Sie sich an einen Arzt:
 - Taubheit, Gefühlsverlust, Kribbeln, Stechen, Schmerz, Brennen, Pochen, Steifheit, Schwerfälligkeit, Verlust von Kraft, Veränderungen an Hautfarbe oder Hautzustand.
- Bei niedrigen Temperaturen können sich die Symptome verstärken. Tragen Sie warme Kleidung, und halten Sie Ihre Hände warm und trocken, wenn Sie das Gerät in kalten Umgebungen betreiben.
- Warten und betreiben Sie das Gerät gemäß den Anweisungen der Bedienungsanleitung, um einen vorschriftsmäßigen Vibrationspegel sicherzustellen.
- Das Gerät verfügt über ein Antivibrationssystem, das die Vibrationen an den Griffen für den Bediener reduziert. Lassen Sie das Gerät die Arbeit verrichten.
- Platzieren Sie Ihre Hände nur auf dem Griff bzw. den Griffen. Halten Sie alle anderen Körperteile vom Gerät fern.
- Stoppen Sie das Gerät sofort, wenn plötzlich starke Vibrationen auftreten. Setzen Sie den Betrieb erst fort, wenn die Ursache für die gesteigerten Vibrationen beseitigt wurde.

Staubtechnische Sicherheit



WARNUNG: Lesen Sie die folgenden Warnhinweise, bevor Sie das Gerät verwenden.

- Der Betrieb des Geräts kann Staub in der Luft verursachen. Staub kann schwere Verletzungen und permanente Gesundheitsprobleme verursachen. Silikatstaub wurde von verschiedenen Behörden als schädlich eingestuft. Dies sind Beispiele für derartige Gesundheitsprobleme:
 - Die tödlichen Lungenkrankheiten chronische Bronchitis, Silikose und Lungenfibrose
 - Krebs

- Angeborene Fehlbildungen
- Hautentzündung
- Verwenden Sie eine angemessene Ausstattung, um die Menge von Staub und Dämpfen in der Luft und den Staub auf Arbeitsgeräten, Oberflächen, Kleidung und Körperteilen zu verringern. Beispiele für Steuerungen sind Staubsammelsysteme. Reduzieren Sie den Staub an der Quelle, falls möglich. Stellen Sie sicher, dass die Ausstattung korrekt montiert ist und verwendet wird und dass sie regelmäßig gewartet wird.
- Tragen Sie einen zugelassenen Atemschutz. Stellen Sie sicher, dass der Atemschutz für die gefährlichen Materialien im Arbeitsbereich geeignet ist.
- Stellen Sie sicher, dass der Arbeitsbereich ausreichend belüftet ist.

- Tragen Sie Stiefel mit Stahlkappe und rutschfester Sohle.
- Tragen Sie zugelassene Arbeitskleidung oder gleichwertige, eng anliegende Kleidung mit langen Ärmeln und langen Hosenbeinen.

Feuerlöscher

- Halten Sie in der Nähe des Arbeitsbereichs einen Feuerlöscher griffbereit.
- Verwenden Sie einen Pulver-Feuerlöscher oder einen Kohlendioxid-Feuerlöscher.

Sicherheit im Arbeitsbereich



WARNUNG: Lesen Sie die folgenden Warnhinweise, bevor Sie das Gerät verwenden.

- Es liegt in der Verantwortung des Benutzers, die zu behandelnde Oberfläche zu analysieren. Der Benutzer sollte eine Risikobewertung aufgrund der ermittelten Informationen über die zu behandelnde Oberfläche durchführen und geeignete Vorsichtsmaßnahmen für die auszuführenden Arbeiten treffen.
- Verwenden Sie das Gerät nicht bei Nebel, Regen, starkem Wind, kaltem Wetter, Gewittergefahr oder anderen schlechten Wetterbedingungen.
- Achten Sie auf Personen, Objekte und Situationen, die einen sicheren Betrieb des Geräts verhindern könnten.
- Verwenden Sie das Gerät nicht in Bereichen, in denen Feuer oder Explosionen auftreten können. Das Produkt erzeugt Funken und entflammables Material kann sich mit Staub oder Dämpfen entzünden.
- Achten Sie darauf, dass sich Kinder, umstehenden Personen und Tiere nicht im Arbeitsbereich

Lärm – Sicherheit



WARNUNG: Lesen Sie die folgenden Warnhinweise, bevor Sie das Gerät benutzen.

- Ein hoher Geräuschpegel und Lärmbelastung über einen langen Zeitraum können zu lärmbedingten Hörschäden führen.
- Um den Geräuschpegel auf einem Minimum zu halten, warten und betreiben Sie das Gerät gemäß den Anweisungen der Bedienungsanleitung.
- Tragen Sie einen zugelassenen Gehörschutz beim Arbeiten mit dem Gerät.
- Beachten Sie Warnsignale und Stimmen, wenn Sie einen Gehörschutz tragen. Entfernen Sie den Gehörschutz, wenn das Gerät ausgeschaltet wird, es sei denn, er ist bei dem Geräuschpegel in Ihrem Arbeitsbereich erforderlich.

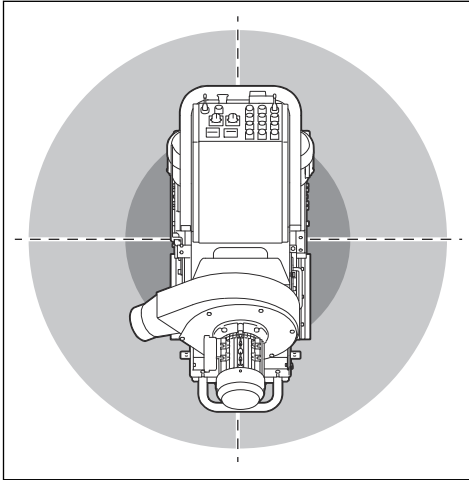
Persönliche Schutzausrüstung



WARNUNG: Lesen Sie die folgenden Warnhinweise, bevor Sie das Gerät verwenden.

- Verwenden Sie stets die vorgeschriebene persönliche Schutzausrüstung bei der Bedienung des Geräts. Die persönliche Schutzausrüstung kann Verletzungen nicht vollständig vermeiden, vermindert aber den Umfang der Verletzungen und Schäden bei einem Unfall. Lassen Sie sich bei der Auswahl der korrekten persönlichen Schutzausrüstung und für deren Verwendung von Ihrem Händler beraten.
- Überprüfen Sie regelmäßig den Zustand der persönlichen Schutzausrüstung.
- Tragen Sie einen zugelassenen Gehörschutz.
- Tragen Sie einen zugelassenen Atemschutz.
- Tragen Sie einen zugelassenen Augenschutz mit seitlicher Abschirmung.
- Tragen Sie stets Schutzhandschuhe.

aufhalten und in einem sicheren Abstand zum Gerät befinden. Der Sicherheitsabstand beträgt 15 m/49 ft.



- Stellen Sie sicher, dass sich umstehende Personen und Tiere nicht im Arbeitsbereich aufhalten und in einem sicheren Abstand zum Gerät befinden.
- Stellen Sie sicher, dass sich nur befugte Personen im Arbeitsbereich befinden.
- Achten Sie auf einen sauberen und gut beleuchteten Arbeitsbereich. Durch zugestellte oder dunkle Arbeitsbereiche steigt die Unfallgefahr stark an.
- Entfernen Sie Objekte wie Schrauben, Bolzen, Kabel und Steine aus dem Arbeitsbereich, bevor Sie das Gerät verwenden.
- Stellen Sie sicher, dass sich keine Kabel oder Schläuche in der Betriebsrichtung des Geräts befinden.
- Stellen Sie sicher, dass unebene Oberflächen, wie Schweißnähte oder Bodenverbindungen, das Gerät nicht stoppen.
- Achten Sie im Arbeitsbereich auf eine ausreichende Belüftung.

Elektrische Sicherheit



WARNUNG: Bei elektrisch angetriebenen Geräten besteht immer die Gefahr von elektrischen Schlägen. Verwenden Sie das Gerät nicht bei schlechtem Wetter. Berühren Sie keine Blitzableiter und Metallgegenstände. Verwenden Sie das Gerät immer gemäß den in diesem Betriebshandbuch hinterlegten Anweisungen, um Verletzungen zu vermeiden.



WARNUNG: Verwenden Sie stets eine Stromversorgung mit Fehlerstromgerät

(RCD). Durch ein RCD wird das Risiko von Stromschlägen verringert.



WARNUNG: Hochspannung. Das Antriebsaggregat enthält ungeschützte Teile. Trennen Sie immer den Netzstecker, bevor Sie die Klappe des Schaltkastens öffnen.



WARNUNG: Verwenden Sie die Steckdose am Gerät nur für die in den Anweisungen angegebenen Zwecke.



ACHTUNG: Die Stromversorgung aus dem Gerät oder vom Generator muss ausreichend und konstant sein, um einen störungsfreien Betrieb des Motors sicherzustellen. Eine falsche Spannung führt dazu, dass der Stromverbrauch und die Temperatur des Motors ansteigen, bis der Sicherheitskreis ausgelöst wird. Die Auslegung des Netzkabels muss mit den nationalen und lokalen Vorschriften übereinstimmen. Die Auslegung der Netzsteckdose muss mit der Stromstärke der Steckdose und des Verlängerungskabels des Geräts übereinstimmen.

Wenn das Stromnetz einen höheren Systemwiderstand aufweist, kann beim Starten des Geräts die Spannung kurzzeitig abfallen. Dies kann den Betrieb anderer Geräte beeinflussen, z. B. ein Flackern des Lichts verursachen.

- Der Netzstecker muss zur Steckdose passen. Der Netzstecker darf in keiner Weise verändert werden. Verwenden Sie bei Elektrowerkzeugen mit Schutzkontakt (geerdet) niemals Adapterstecker. Nicht modifizierte Stecker und passende Steckdosen reduzieren das Risiko eines Stromschlags.
- Vermeiden Sie Körperkontakt mit geerdeten Gegenständen wie Rohrleitungen, Heizungen, Herden oder Kühlschränken. Bei Körperkontakt mit geerdeten Gegenständen besteht ein erhöhtes Stromschlagrisiko.
- Kontrollieren Sie, ob die Leistung, die Sicherung und die Netzspannung mit dem entsprechenden Spannungswert auf dem Typenschild des Geräts übereinstimmen.
- Schalten Sie das Gerät immer aus, bevor Sie den Netzstecker ziehen.
- Stellen Sie sicher, dass sich der ON/OFF-Schalter in der Position OFF befindet, bevor Sie das Gerät am Netzteil anschließen.
- Ziehen Sie immer den Netzstecker, wenn Sie das Gerät längere Zeit nicht verwenden.

- Verwenden Sie das Gerät nicht, wenn Stromkabel oder Stecker beschädigt sind. Ist das Netzkabel beschädigt, muss es zur Gefahrenvermeidung vom Hersteller, dessen Servicewerkstatt oder von gleichermaßen qualifizierten Personen ausgetauscht werden. Ein beschädigtes Netzkabel kann zu schweren und tödlichen Verletzungen führen.
- Verwenden Sie das Netzkabel nach Vorschrift. Verwenden Sie das Netzkabel nicht, um das Gerät zu verschieben, zu ziehen oder von der Netzspannung zu trennen. Ziehen Sie direkt am Stecker, um das Netzkabel abzuziehen. Ziehen Sie nicht am Netzkabel.
- Verwenden Sie das Gerät nur auf trockenen Flächen.
- Halten Sie das Gerät von Regen fern. Wasser, das in das Gerät eindringt, erhöht das Risiko eines elektrischen Schlags.
- Achten Sie immer darauf, dass das Netzkabel getrennt ist, wenn Sie den Stecker des Motorkabels und des Schaltkastens ein- oder ausstecken.
- Um eine Gefährdung durch versehentliches Zurücksetzen des Thermowächters zu vermeiden, darf dieses Gerät nicht über ein externes Schaltgerät, z. B. einen Timer, ans Stromnetz oder an einen Stromkreis angeschlossen werden, der regelmäßig von der Anlage ein- und ausgeschaltet wird.
- Achten Sie darauf, dass die Stromversorgung für das Gerät über separate Transformatoren erfolgt, die nur für industrielle Zwecke verwendet werden.

eine geerdete Steckdose an. Dadurch wird das Risiko von Stromschlägen verringert.

Verwenden Sie keine elektrischen Adapter am Gerät.

Verlängerungskabel

- Verwenden Sie nur zugelassene Verlängerungskabel mit den entsprechenden Eigenschaften.
- Der Nennwert auf dem Verlängerungskabel muss dem auf dem Typenschild des Geräts angegebenen Wert entsprechen oder höher sein.
- Verwenden Sie Schuko-Verlängerungskabel.
- Wenn Sie das Gerät im Freien benutzen, verwenden Sie ein für den Außeneinsatz geeignetes Verlängerungskabel. Dadurch wird das Risiko von Stromschlägen verringert.
- Achten Sie darauf, dass die Verbindung mit dem Verlängerungskabel trocken ist und keinen Bodenkontakt hat.
- Halten Sie das Verlängerungskabel fern von Hitzequellen, Öl, scharfen Kanten und beweglichen Teilen. Ein beschädigtes Kabel erhöht das Risiko eines Stromschlags.
- Stellen Sie sicher, dass sich das Verlängerungskabel in einem guten Zustand befindet und unbeschädigt ist.
- Verwenden Sie das Verlängerungskabel nicht im aufgewickelten Zustand. Dies kann dazu führen, dass das Verlängerungskabel zu heiß wird.
- Stellen Sie sicher, dass das Verlängerungskabel während des Betriebs nicht im Weg ist und das Gerät nicht behindert. Dadurch wird eine Beschädigung des Verlängerungskabels vermieden.

Anweisungen für geerdete Geräte



WARNUNG: Ein falscher Anschluss kann zu einem Stromschlag führen. Wenden Sie sich an einen qualifizierten Elektriker, wenn Sie Zweifel daran haben, ob die Netzsteckdose richtig geerdet ist.

Nehmen Sie keine Modifikationen am Netzstecker vor. Dieser muss den Werksspezifikationen entsprechen. Wenn der Netzstecker oder das Netzkabel beschädigt ist oder ersetzt werden muss, wenden Sie sich an Ihre Husqvarna Servicewerkstatt. Beachten Sie die vor Ort geltenden Vorschriften und Gesetze.

Wenden Sie sich an einen qualifizierten Elektriker, wenn Sie die Anweisungen hinsichtlich des geerdeten Geräts nicht vollständig verstehen.

Sicherheitsvorrichtungen am Gerät



WARNUNG: Lesen Sie die folgenden Warnhinweise, bevor Sie das Gerät verwenden.

- Verwenden Sie das Gerät nicht, wenn die Sicherheitsvorrichtungen beschädigt sind oder nicht ordnungsgemäß funktionieren.
- Führen Sie täglich eine Überprüfung der Sicherheitsvorrichtungen durch. Wenn Ihre Sicherheitsvorrichtungen beschädigt sind oder nicht ordnungsgemäß funktionieren, wenden Sie sich an Ihren Kundendienst von Husqvarna.
- Führen Sie keine Änderungen an den Sicherheitsvorrichtungen durch

EIN-/AUS-Schalter

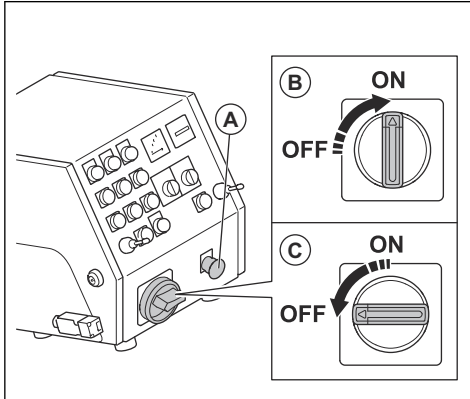
Der ON/OFF-Schalter wird zum Starten und Stoppen der Stromversorgung des Geräts verwendet.

Verwenden Sie nur geerdete Verlängerungskabel für den Außenbereich mit Erdungssteckern und einer Erdungssteckdose, die für den Netzstecker des Geräts geeignet ist.

Das Gerät verfügt über ein geerdetes Netzkabel und einen Netzstecker. Schließen Sie das Gerät immer an

So überprüfen Sie den ON/OFF-Schalter

1. Drehen Sie die Not-Aus-Taste (A) im Uhrzeigersinn, um sicherzustellen, dass die Not-Aus-Taste deaktiviert ist.



2. Drehen Sie den ON/OFF-Schalter in die Position ON (B).
3. Stellen Sie sicher, dass die Kontrollleuchte am Bedienfeld aufleuchtet.
4. Drehen Sie den ON/OFF-Schalter in die Position OFF (C).
5. Stellen Sie sicher, dass die Kontrollleuchte am Bedienfeld erlischt.

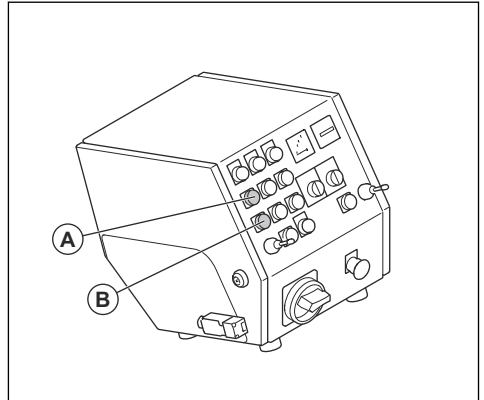
ON/OFF-Tasten der Antriebsmotoren

Die ON/OFF-Tasten der Antriebsmotoren dienen zum Ein- und Ausschalten der Antriebsmotoren. Siehe *So prüfen Sie die Antriebsmotoren auf Seite 43*.

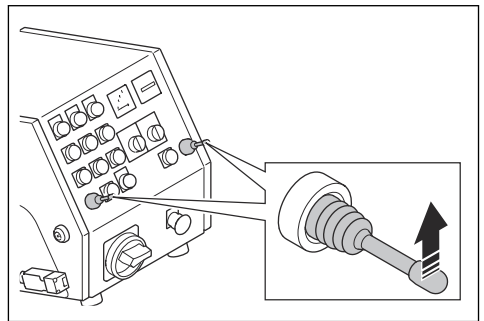
So prüfen Sie die Antriebsmotoren

1. Drehen Sie die Not-Aus-Taste im Uhrzeigersinn, um sicherzustellen, dass die Not-Aus-Taste deaktiviert ist.
2. Drehen Sie den ON/OFF-Schalter in die Position ON.

3. Drücken Sie die ON-Taste der Antriebsmotoren (A).



4. Stellen Sie sicher, dass die Anzeige aufleuchtet.
5. Stellen Sie die Drehzahlregelung auf 1 ein.
6. Schieben Sie die 2 Joysticks nach vorn. Vergewissern Sie sich, dass das Gerät vorwärts fährt.



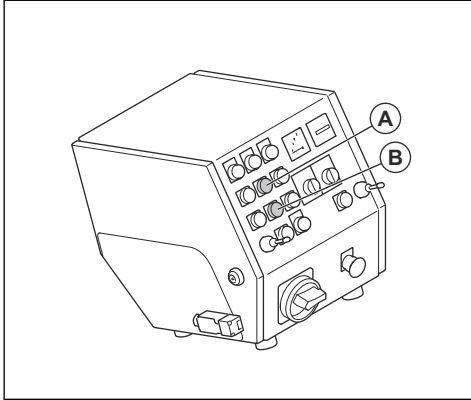
7. Stellen Sie die zwei Joysticks in die Neutralposition. Vergewissern Sie sich, dass das Gerät zum Stehen gekommen ist.
8. Ziehen Sie die 2 Joysticks nach hinten. Vergewissern Sie sich, dass das Gerät rückwärts fährt.
9. Stellen Sie die zwei Joysticks in die Neutralposition.
10. Drücken Sie die OFF-Taste der Antriebsmotoren (B).
11. Stellen Sie sicher, dass die Anzeige erlischt.

ON/OFF-Tasten der Lüftereinheit

Die ON/OFF-Tasten der Lüftereinheit dienen zum Starten und Ausschalten der Lüftereinheit. Siehe *So überprüfen Sie die ON/OFF-Tasten für die Lüftereinheit auf Seite 44*.

So überprüfen Sie die ON/OFF-Tasten für die Lüftereinheit

1. Drehen Sie die Not-Aus-Taste im Uhrzeigersinn, um sicherzustellen, dass die Not-Aus-Taste deaktiviert ist.
2. Drehen Sie den ON/OFF-Schalter in die Position ON.
3. Drücken Sie die ON-Taste der Lüftereinheit (A).



4. Vergewissern Sie sich, dass die Lüftereinheit startet.
5. Drücken Sie die OFF-Taste der Lüftereinheit (B).
6. Vergewissern Sie sich, dass die Lüftereinheit abgeschaltet ist.

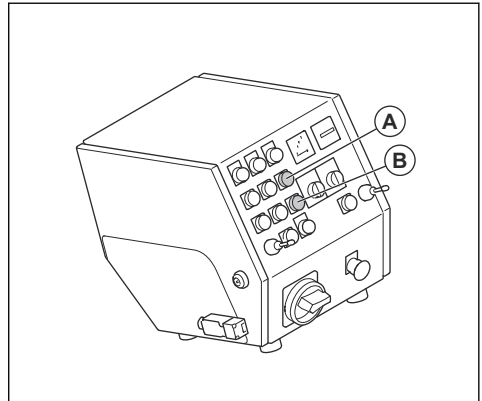
ON/OFF-Tasten des Strahlmotors

Die ON/OFF-Tasten des Strahlmotors dienen zum Ein- und Ausschalten des Strahlmotors. Siehe *So überprüfen Sie die ON/OFF-Tasten des Strahlmotors auf Seite 44*.

So überprüfen Sie die ON/OFF-Tasten des Strahlmotors

1. Drehen Sie die Not-Aus-Taste im Uhrzeigersinn, um sicherzustellen, dass die Not-Aus-Taste deaktiviert ist.
2. Drehen Sie den ON/OFF-Schalter in die Position ON.

3. Drücken Sie die ON-Taste des Strahlmotors (A).



4. Vergewissern Sie sich, dass der Strahlmotor startet.
5. Drücken Sie die OFF-Taste des Strahlmotors (B).
6. Vergewissern Sie sich, dass der Strahlmotor vollständig zum Stillstand gekommen ist.

Amperemeter

Das Amperemeter zeigt die Strahllast auf der Oberfläche an. Die maximale Stromstärke wird oberhalb des Amperemeters angezeigt.

Soüberprüfen Sie das Amperemeter

Siehe *Bedienfeld auf Seite 36* für Informationen darüber, wo sich das Amperemeter an Ihrem Gerät befindet.

1. Das Gerät starten. Siehe *So starten Sie das Gerät auf Seite 50*.
2. Warten Sie, bis sich das Amperemeter in der Leerlaufstellung befindet.
3. Stoppen Sie das Gerät. Siehe *So stoppen Sie das Gerät auf Seite 53*.

Not-Aus-Taste

Mit der Not-Aus-Taste können die Motoren schnell abgestellt werden.

So führen Sie eine Prüfung der Not-Aus-Taste durch

Siehe *Bedienfeld auf Seite 36* für Informationen darüber, wo sich die Not-Aus-Taste an Ihrem Gerät befindet.

1. Drehen Sie die Not-Aus-Taste im Uhrzeigersinn, um sicherzustellen, dass die Not-Aus-Taste deaktiviert ist.
2. Das Gerät starten. Siehe *So starten Sie das Gerät auf Seite 50*.
3. Drücken Sie die Not-Aus-Taste.
4. Vergewissern Sie sich, dass die Motoren vollständig zum Stillstand gekommen sind.

5. Drehen Sie die Not-Aus-Taste im Uhrzeigersinn, um sie zu deaktivieren.

Bedienerpräsenzsteuerung (OPC)

Wenn die OPC aktiviert wird, stoppt der Motor. Siehe *So überprüfen Sie die Bedienerpräsenzsteuerung (Operator Presence Control, OPC) auf Seite 45.*

So überprüfen Sie die Bedienerpräsenzsteuerung (Operator Presence Control, OPC)

1. Das Gerät starten. Siehe *So starten Sie das Gerät auf Seite 50.*
2. Ziehen Sie den OPC-Schlüssel ab. Wenn der Motor innerhalb von drei Sekunden nicht stoppt, wenden Sie sich an eine autorisierte Husqvarna Servicewerkstatt.

Sicherheitshinweise für die Wartung



WARNUNG: Lesen Sie die folgenden Warnhinweise, bevor Sie das Gerät verwenden.

- Führen Sie nur Wartungsarbeiten durch, die gemäß dieser Betriebsanleitung vorgegeben sind. Lassen Sie alle anderen Wartungsarbeiten von einer autorisierten Servicewerkstatt durchführen.
- Wenn die Wartung nicht ordnungsgemäß und regelmäßig erfolgt, erhöhen sich die

Verletzungsgefahr und das Risiko für eine Beschädigung des Geräts.

- Reinigen Sie das Gerät, und entfernen Sie gefährliches Material vor der Wartung.
- Führen Sie die Wartung des Geräts auf einem stabilen, ebenen Untergrund durch. Sorgen Sie dafür, dass sich das Gerät nicht bewegen kann.
- Nehmen Sie keine Modifikationen am Gerät vor. Veränderungen am Gerät, die vom Hersteller nicht genehmigt wurden, können zu schweren Verletzungen oder zum Tod führen.
- Ersetzen Sie beschädigte, verschlissene oder defekte Teile.
- Reinigen Sie das Gerät nicht mit einem Hochdruckreiniger.
- Verwenden Sie nur fusselfreie Reinigungstücher.
- Verwenden Sie immer Originalersatzteile und Originalzubehör. Zubehör und Ersatzteile, die vom Hersteller nicht genehmigt wurden, können zu schweren Verletzungen oder zum Tod führen.
- Führen Sie nach der Wartung eine Überprüfung des Vibrationswerts im Gerät durch. Wenn er nicht korrekt ist, wenden Sie sich an eine autorisierte Servicewerkstatt.
- Lassen Sie das Gerät regelmäßig von einer autorisierten Servicewerkstatt warten.

Betrieb

Einleitung



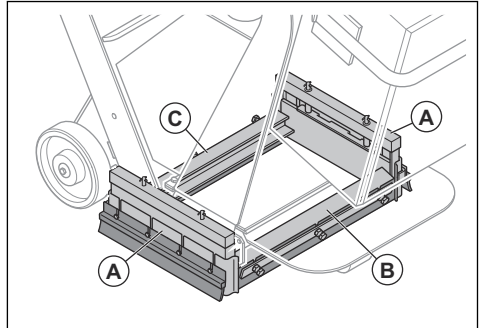
WARNUNG: Vor dem Betrieb des Gerätes müssen Sie die Sicherheitsinformationen lesen und verstehen.

Bevor Sie das Gerät bedienen

1. Lesen Sie die Bedienungsanleitung sorgfältig durch, und stellen Sie sicher, dass Sie die Anweisungen verstehen.
2. Lesen Sie die Bedienungsanleitung für den Staubabscheider sorgfältig durch und vergewissern Sie sich, dass Sie die Anweisungen verstanden haben.
3. Wenn das Gerät in Verbindung mit einer Stromquelle betrieben wird, stellen Sie sicher, dass Sie die Bedienungsanleitung dieser Stromquelle gelesen und verstanden haben.
4. Tragen Sie eine persönliche Schutzausrüstung. Siehe *Persönliche Schutzausrüstung auf Seite 40.*
5. Stellen Sie sicher, dass sich nur befugte Personen im Arbeitsbereich befinden.
6. Warten Sie das Gerät täglich. Siehe *Wartungsplan auf Seite 53.*
7. Stellen Sie sicher, dass das Gerät korrekt zusammengebaut und unbeschädigt ist.
8. Stellen Sie sicher, dass alle Bolzen, Schrauben und Muttern fest angezogen sind.
9. Stellen Sie sicher, dass die Wurfschaufeln, der Einfüllstutzen und die Dichtungen nicht beschädigt oder verschlissen sind. Ersetzen Sie die Teile, wenn 75 % der Blattstärke abgenutzt sind.
10. Achten Sie darauf, dass der Abscheider unbeschädigt ist.
11. Achten Sie darauf, dass der Abscheider bis zur Auszugshöhe mit Strahlmittel gefüllt ist.
12. Achten Sie darauf, dass die Dichtungen der Bürstenleiste in der richtigen Höhe installiert sind. Siehe *So stellen Sie die korrekte Höhe der Dichtungen der Bürstenleiste ein auf Seite 46.*
13. Stellen Sie das Gerät in den Arbeitsbereich. Stellen Sie sicher, dass die Oberfläche waagrecht ist. Stellen Sie sicher, dass der Transport des Geräts zum und im Arbeitsbereich sicher und ordnungsgemäß erfolgt. Siehe *Transport, Lagerung und Entsorgung auf Seite 61.*

14. Installieren Sie die seitlichen Dichtungen. Siehe *So installieren Sie die seitlichen Dichtungen auf Seite 47*.
15. Schließen Sie einen Staubabscheider an das Gerät an. Siehe *So schließen Sie einen Staubabscheider an auf Seite 49*.
16. Stellen Sie sicher, dass sich der ON/OFF-Schalter in der Position OFF befindet, bevor Sie das Gerät an die Stromversorgung anschließen.
17. Schließen Sie das Gerät an eine Stromquelle an. Siehe *So schließen Sie das Gerät an die Stromversorgung an auf Seite 49*.

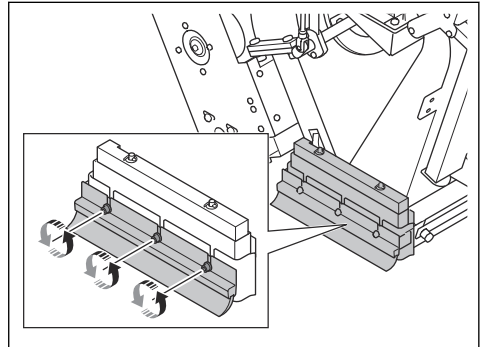
Gerät bleibt. Siehe *So installieren Sie die seitlichen Dichtungen auf Seite 47* für weitere Informationen zu den seitlichen Dichtungen. Siehe *So ersetzen Sie die vorderen Gummidichtungen auf Seite 59* für weitere Informationen zu den vorderen Dichtungen.



So stellen Sie die korrekte Höhe der Dichtungen der Bürstenleiste ein

Die Dichtungen der Bürstenleiste verschleifen beim Betrieb des Geräts. Die Höhe der Dichtungen der Bürstenleiste muss in regelmäßigen Abständen angepasst werden.

1. Lösen Sie die 3 Schrauben.



Ventil für das Strahlmittel

Das Ventil für das Strahlmittel steuert den Durchfluss des Strahlmittels zu den Wurfchaufeln. Die Einstellung des Ventils für das Strahlmittel wird auf dem Amperemeter angezeigt. Siehe *Amperemeter auf Seite 44*.

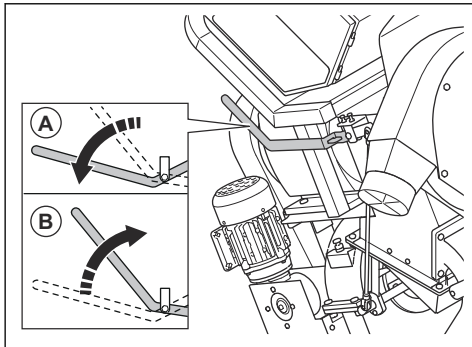
Sie können das Ventil für das Strahlmittel mit dem Steuerhebel für das Strahlmittel einstellen. Siehe *Ventil für das Strahlmittel auf Seite 46*.

So bedienen Sie das Ventil für das Strahlmittel



ACHTUNG: Öffnen Sie das Ventil für das Strahlmittel nur, wenn der Strahlmotor in Betrieb ist.

1. Drücken Sie den Steuerhebel für das Strahlmittel, um das Ventil zu schließen und den Durchfluss des Strahlmittels zu stoppen (A).

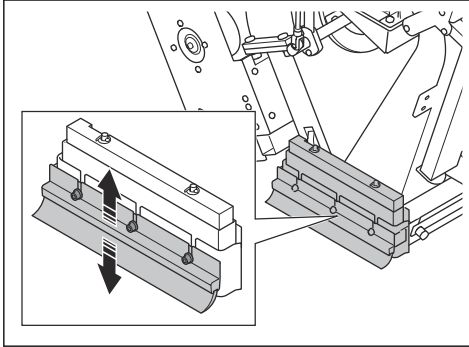


2. Ziehen Sie den Steuerhebel für das Strahlmittel, um das Ventil zu öffnen und den Durchfluss des Strahlmittels zu ermöglichen (B).

Strahlmitteldichtung

Die Schleifmaterial-Dichtung ist ein Dichtungssystem mit 2 seitlichen Dichtungen (A), 1 vorderen Dichtung (B) und 1 hinteren Bürste (C). Die Strahlmitteldichtung sorgt dafür, dass das Strahlmittel während des Betriebs im

2. Stellen Sie die Höhe so ein, dass sich die Dichtungen der Bürstenleiste 1 mm/0,04 Zoll über der Oberfläche befinden.



3. Ziehen Sie die 3 Schrauben an.

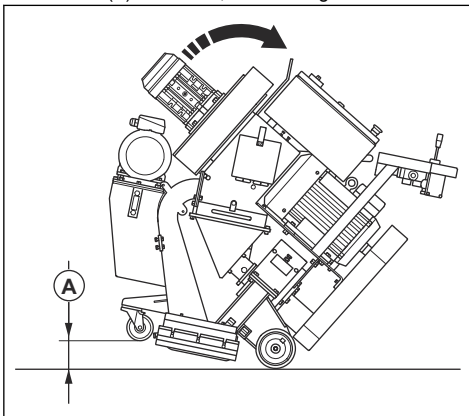
So installieren Sie die seitlichen Dichtungen



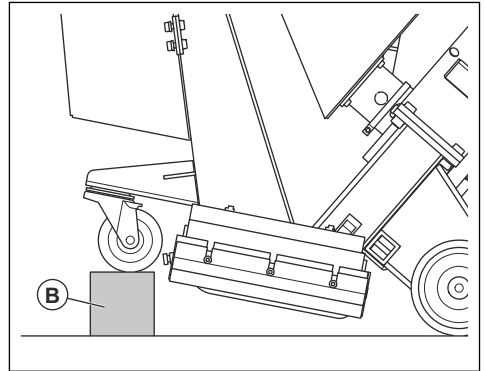
WARNUNG: Für dieses Verfahren sind mindestens 2 Personen erforderlich. 1 Person installiert die seitlichen Dichtungen, und 1 Person stellt sicher, dass das Gerät in Position bleibt.

Das seitliche Dichtungssystem besteht aus 2 seitlichen Metalldichtungen, 2 seitlichen Gummidichtungen und 2 Seitenbürsten. Die seitlichen Metalldichtungen fallen aus dem seitlichen Dichtungssystem heraus, wenn Sie das Gerät von der Oberfläche anheben. Montieren Sie die seitlichen Dichtungen, bevor Sie das Gerät in Betrieb nehmen.

1. Stellen Sie das Gerät auf einem ebenen Untergrund ab.
2. Halten Sie das Gerät an und lassen Sie es abkühlen.
3. 1 Person neigt das Gerät nach hinten, bis der Abstand (A) 120 mm/4,7 Zoll beträgt.

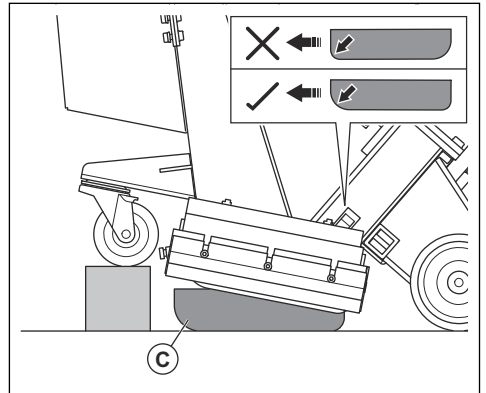


4. Die zweite Person legt ein Stück Holz (B) unter das Vorderrad. Die Abmessungen des Holzstücks müssen 100 x 100 x 300 mm / 4 x 4 x 12 Zoll betragen.

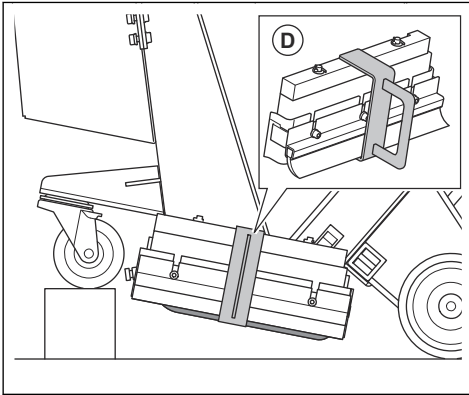


5. Während 1 Person den Vorgang beobachtet, installiert die zweite Person die seitlichen Dichtungen in den Behältern für die seitlichen Dichtungen:

- a) Setzen Sie die seitliche Dichtung (C) in den Behälter für die seitlichen Dichtungen auf einer Seite des Geräts. Stellen Sie sicher, dass der abgerundete Teil der seitlichen Dichtung zur Vorderseite des Geräts zeigt.

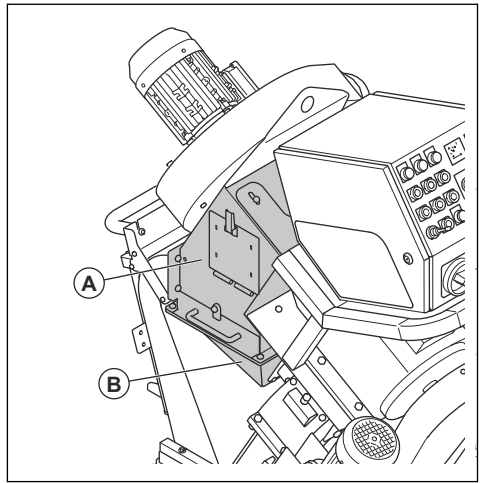
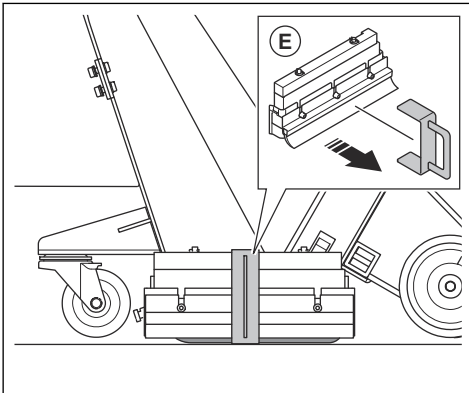


- b) Legen Sie die seitliche Dichtungshalterung (D) um den seitlichen Dichtungsbehälter, um sicherzustellen, dass die seitliche Dichtung in der richtigen Position bleibt.

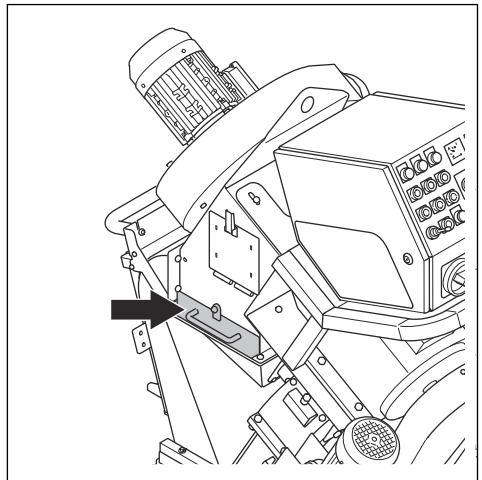


- c) Installieren Sie die seitliche Dichtung auf der gegenüberliegenden Seite des Geräts.

6. Während 1 Person das Gerät anhebt, entfernt die zweite Person anschließend das Holzstück.
7. Die Person, die das Gerät nach oben hebt, setzt das Gerät langsam wieder auf den Boden ab.
8. Die zweite Person entfernt die seitlichen Dichtungshalterungen auf beiden Seiten des Geräts (E).



Der Abscheider-Auszug sammelt Verunreinigungen und hält sie somit vom Strahlmittel und von den Wurfschaufeln fern.



So befüllen Sie das Gerät mit Strahlmittel



WARNUNG: Tragen Sie immer persönliche Schutzausrüstung, wenn Sie das Gerät mit Strahlmittel auffüllen. Siehe *Persönliche Schutzausrüstung auf Seite 40.*

1. Stellen Sie sicher, dass das Ventil für das Strahlmittel geschlossen ist. Siehe *So bedienen Sie das Ventil für das Strahlmittel auf Seite 46.*

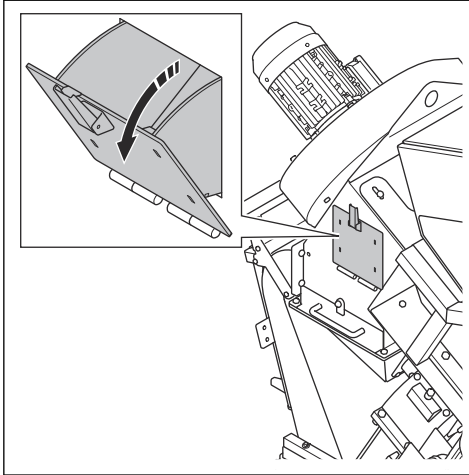
Abrasive Materialien

Wenden Sie sich an Ihren Husqvarna Händler, um sich bei der Auswahl des richtigen Schleifmaterials für Ihre Oberfläche beraten zu lassen. Siehe *Zugelassenes Strahlmittel auf Seite 67.*

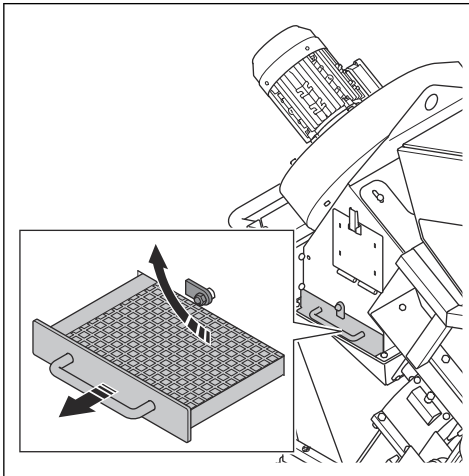
Abscheider

AuDer Abscheider (A) nimmt das Strahlmittel auf und versorgt die Wurfschaufeln über den Trichter (B) mit Strahlmittel.

2. Öffnen Sie die Abscheiderklappe.



3. Öffnen Sie den Auszug des Abscheiders und entfernen Sie alle Verunreinigungen, wenn Sie Strahlmittel einfüllen oder wenn es nötig ist.



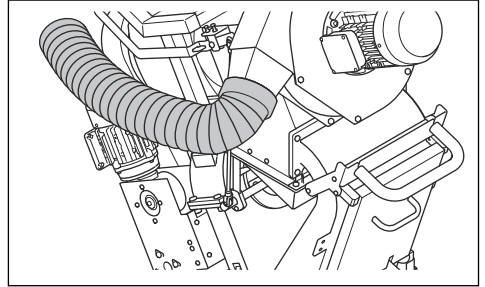
4. Füllen Sie den Abscheider bis zum Auszug des Abscheiders mit Strahlmittel. Füllen Sie den Abscheider bei Bedarf mit Strahlmittel.

So schließen Sie einen Staubabscheider an



WARNUNG: Verwenden Sie den Staubabscheider nicht, wenn der Staubabsaugschlauch beschädigt ist. In diesem Fall steigt das Risiko, dass Sie gesundheitsgefährdenden Staub einatmen. Tragen Sie einen zugelassenen Atemschutz.

1. Untersuchen Sie den Staubabsaugschlauch auf Beschädigungen.
2. Stellen Sie sicher, dass die Filter im Staubabscheider sauber und unbeschädigt sind.
3. Verbinden Sie den Staubabsaugschlauch sicher mit dem Anschluss für den Staubabscheider. Verbinden Sie den Staubabsaugschlauch mittels Schlauchschellen und Industrieklebeband.



So schließen Sie das Gerät an die Stromversorgung an

1. Schließen Sie den Netzstecker des Geräts an eine geerdete Steckdose oder eine andere Stromquelle an.
2. Vergewissern Sie sich, dass die Netzspannung mit der auf dem Typenschild des Geräts angegebenen Spannung übereinstimmt.

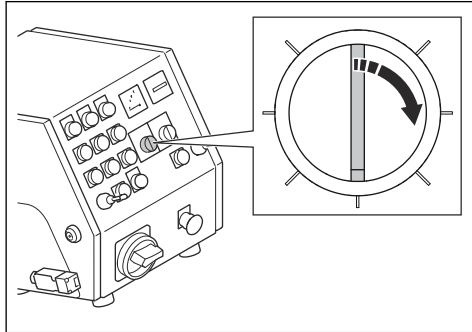
So prüfen Sie die Drehrichtung der Lüftereinheit

1. Starten Sie das Gerät. Siehe *So starten Sie das Gerät auf Seite 50*.
2. Halten Sie das Gerät nach einigen Sekunden an. Siehe *So stoppen Sie das Gerät auf Seite 53*.
3. Stellen Sie sicher, dass die Lüftereinheit die richtige Drehrichtung hat. Die richtige Richtung ist durch einen Pfeil auf der Abdeckung der Lüftereinheit markiert.
4. Wenn die Lüftereinheit nicht die richtige Rotationsrichtung hat, ändern Sie die Phasenfolge der Stromversorgung.

So wählen Sie die richtige Geschwindigkeit

Für optimale Ergebnisse ist es wichtig, das Gerät mit der richtigen Drehzahl laufen zu lassen. Wenn die Oberfläche eine unterschiedliche Beschaffenheit aufweist, passen Sie die Drehzahl an, um ein gleichmäßiges Ergebnis zu erzielen. Überprüfen Sie das Ergebnis und passen Sie bei Bedarf die Drehzahl an.

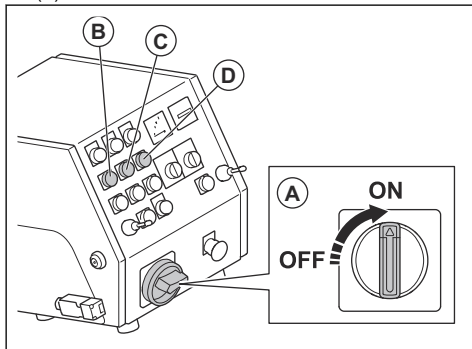
- Drehen Sie die Drehzahlregelung im Uhrzeigersinn, um die Drehzahl zu erhöhen.



- Drehen Sie die Drehzahlregelung gegen den Uhrzeigersinn, um die Drehzahl zu reduzieren.

So starten Sie das Gerät

1. Schließen Sie das Gerät an eine Stromversorgung an. Siehe *So schließen Sie das Gerät an die Stromversorgung an* auf Seite 49.
2. Bringen Sie den Staubabsaugschlauch am Gerät an. Siehe *So schließen Sie einen Staubabscheider an* auf Seite 49.
3. Starten Sie den Staubabscheider. Siehe die Bedienungsanleitung für den Staubabscheider.
4. Legen Sie das Kabel der Bedienerpräsenzsteuerung um das linke Handgelenk.
5. Drehen Sie die Not-Aus-Taste im Uhrzeigersinn, um die Not-Aus-Taste zu deaktivieren.
6. Drehen Sie den ON/OFF-Schalter in die Position ON (A).



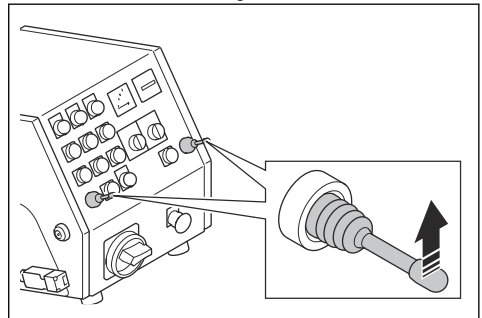
7. Starten Sie die Antriebsmotoren (B) und die Lüftereinheit (C).
8. Prüfen Sie die Drehrichtung der Lüftereinheit. Siehe *So prüfen Sie die Drehrichtung der Lüftereinheit* auf Seite 49.
9. Starten Sie den Strahlmotor (D).

So bedienen Sie das Gerät



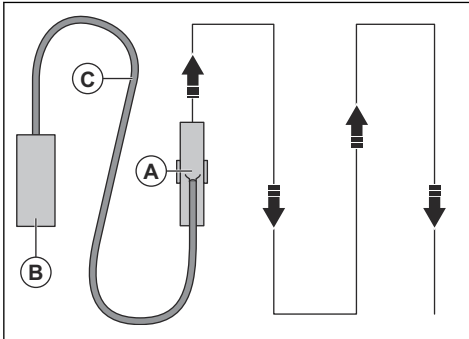
WARNUNG: Heben oder kippen Sie das Gerät nicht während des Betriebs an. Strahlmittel tritt mit hoher Geschwindigkeit aus dem Gerät aus und kann Verletzungen verursachen.

1. Stellen Sie sicher, dass der Arbeitsbereich sicher ist. Siehe *Sicherheit im Arbeitsbereich* auf Seite 40.
2. Füllen Sie den Abscheider mit Strahlmittel. Siehe *So befüllen Sie das Gerät mit Strahlmittel* auf Seite 48.
3. Das Gerät starten. Siehe *So starten Sie das Gerät* auf Seite 50.
4. Stellen Sie den Drehzahlregler auf die niedrigste Drehzahl.
5. Drücken Sie die 2 Joysticks nach vorn, um das Gerät vorwärts zu bewegen.



6. Halten Sie die STOP-Taste für den linken Antriebsmotor gedrückt, um das Gerät nach links zu drehen. Halten Sie die STOP-Taste für den rechten Antriebsmotor gedrückt, um das Gerät nach rechts zu drehen.
7. Ziehen Sie den Steuerhebel für das Strahlmittel, um das Ventil zu öffnen. Siehe *So bedienen Sie das Ventil für das Strahlmittel* auf Seite 46.
8. Drücken Sie nach 2 m/7 ft den Steuerhebel für das Strahlmittel, um das Ventil zu schließen.
9. Stoppen Sie das Gerät.
10. Überprüfen Sie das Strahlmuster. Passen Sie bei Bedarf das Strahlmuster an. Siehe *So passen Sie das Strahlmuster an* auf Seite 51.
11. Wählen Sie die korrekte Drehzahl aus. Siehe *So wählen Sie die richtige Geschwindigkeit* auf Seite 49.

12. Bewegen Sie das Gerät (A) in parallelen Bahnen. Der Staubabscheider (B) muss über den Staubabsaugschlauch (C) mit dem Gerät (A) verbunden werden.

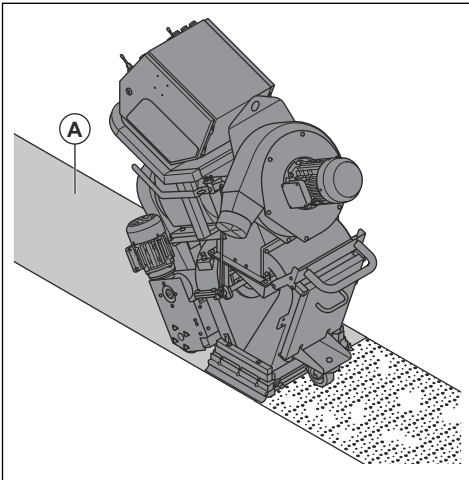


13. Drücken Sie den linken Joystick nach hinten, um das Gerät um 360° nach links zu drehen.

14. Drücken Sie den rechten Joystick nach hinten, um das Gerät um 360° nach rechts zu drehen.

Strahlmuster

Das Strahlmuster (A) ist die Oberfläche, die bearbeitet wurde.



Um ein gutes Ergebnis zu erzielen, muss sich der Hotspot in der Mitte des Strahlmusters befinden. Wenn sich der Hotspot zu weit links oder rechts befindet, drehen Sie den Steuerkäfig. Siehe *So passen Sie das Strahlmuster an auf Seite 51*.

Dies sind die Bedingungen, die sich auf das Strahlmuster auswirken:

- Die Drehrichtung der Wurfschaufeln ist korrekt.
- Erhöhter Verschleiß an Wurfschaufeln, Laufrad und Steuerkäfig.

- Die Strahlmittelgröße. Bei Verwendung von Strahlmittel mit unterschiedlicher Korngröße muss das Strahlmuster angepasst werden.
- Die Position des Seitenfensters im Steuerkäfig.
- Verschiedene Arten und Härte der Oberfläche.

So passen Sie das Strahlmuster an

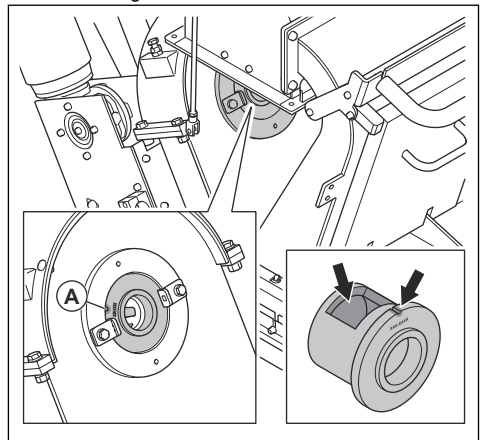


WARNUNG: Bei eingeschaltetem Gerät dürfen Käfigklemmen, Zufuhrstutzen und Wurfschaufeln nicht eingestellt, gelöst oder berührt werden. Trennen Sie die Stromversorgung, wenn Sie das Strahlmuster anpassen.

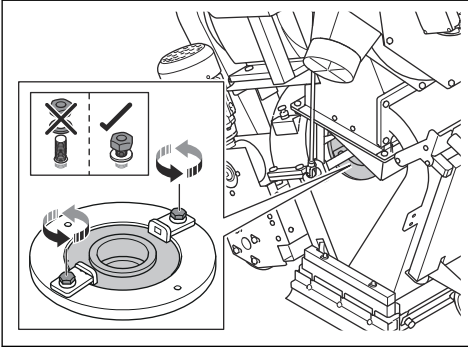


WARNUNG: Verwenden Sie beim Anpassen des Strahlmusters persönliche Schutzausrüstung. Siehe *Persönliche Schutzausrüstung auf Seite 40*.

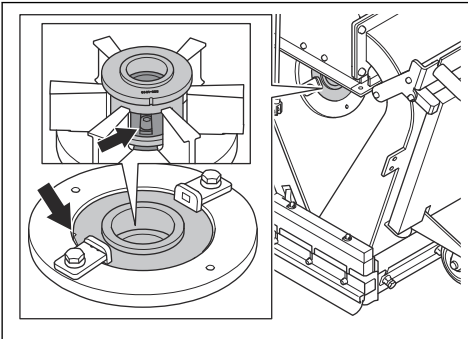
1. Öffnen Sie die Abscheiderklappe, und prüfen Sie, ob sich Strahlmittel im Trichter befindet. Leeren Sie den Trichter, falls sich Strahlmittel darin befindet. Siehe *So entfernen Sie Strahlmittel aus dem Trichter auf Seite 55*.
2. Ziehen Sie den Netzstecker aus der Steckdose.
3. Entfernen Sie den Trichter. Siehe *So entfernen und installieren Sie den Trichter auf Seite 55*.
4. Notieren Sie sich die Position des Steuerkäfigs. Nutzen Sie die Kerbe im Steuerkäfig (A) als Orientierung.



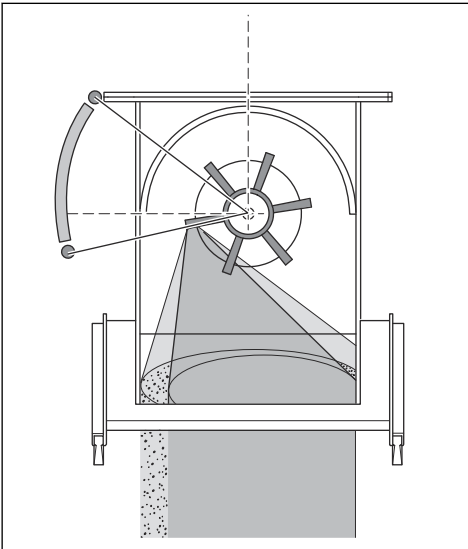
5. Lösen Sie die Käfigklemmen.



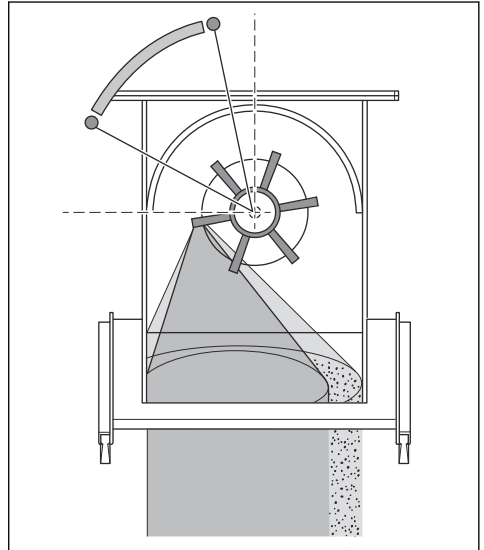
6. Überprüfen Sie die Position des Fensters am Steuerkäfig.



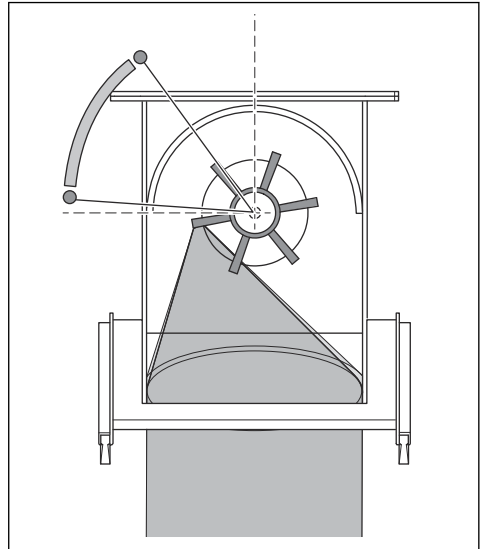
7. Drehen Sie den Steuerkäfig im Uhrzeigersinn, wenn sich der Hotspot zu weit rechts befindet.



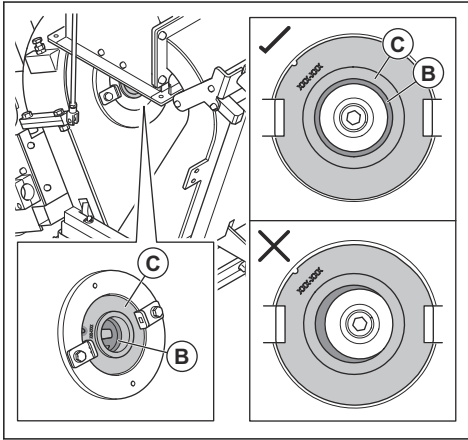
8. Drehen Sie den Steuerkäfig gegen den Uhrzeigersinn, wenn sich der Hotspot zu weit links befindet.



9. Stellen Sie für eine korrekte Einstellung sicher, dass der Hotspot gleichmäßig auf die Oberfläche wirkt.



10. Stellen Sie sicher, dass das Laufrad (B) und der Steuerkäfig (C) im Verhältnis zueinander korrekt montiert sind.

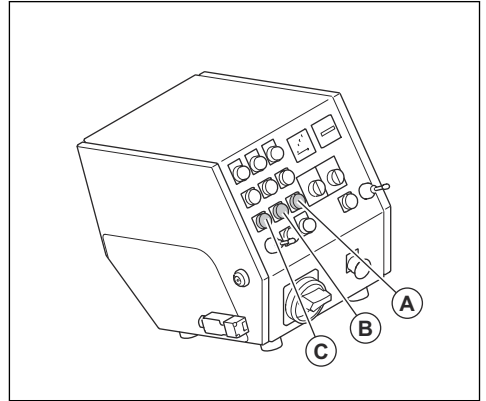


11. Ziehen Sie die Käfigklemmen fest.
 12. Drehen Sie das Laufrad und das Schleuderrad mit den Händen. Es dürfen dabei keine ungewöhnlichen Geräusche auftreten.
 13. Installieren Sie den Trichter. Siehe *So entfernen und installieren Sie den Trichter auf Seite 55.*

So stoppen Sie das Gerät

1. Schließen Sie das Ventil für das Strahlmittel. Siehe *So bedienen Sie das Ventil für das Strahlmittel auf Seite 46.*

2. Drücken Sie die STOP-Taste für den Strahlmotor (A), die Lüftereinheit (B) und den Antriebsmotor (C).



3. Drehen Sie den ON/OFF-Schalter in die Position OFF.
 4. Trennen Sie den Netzstecker vom Netzteil.
 5. Stoppen Sie den Staubabscheider. Siehe die Bedienungsanleitung für den Staubabscheider.

Wartung

Einleitung



WARNUNG: Bevor Sie eine Wartung durchführen, müssen Sie das Kapitel über die Sicherheit lesen und verstehen.



WARNUNG: Verwenden Sie bei Service und Wartung persönliche Schutzausrüstung. Siehe *Persönliche Schutzausrüstung auf Seite 40.*



WARNUNG: Bevor Sie die Wartung durchführen, stoppen Sie die Motoren und ziehen den Netzstecker von der Stromquelle ab. Stellen Sie sicher, dass alle Antriebe stoppen.

die Verfügbarkeit von professionellen Reparaturen und Wartungsarbeiten. Wenn Ihr Händler keine Servicewerkstatt ist, sprechen Sie mit ihm, um Informationen über die nächste Servicewerkstatt zu erhalten.

Genauere Informationen finden Sie unter www.husqvarnaconstruction.com.

Wartungsplan

* = Allgemeine Wartung durch den Bediener. Diese Anweisungen sind nicht in dieser Bedienungsanleitung enthalten.

X = Diese Anweisungen sind in dieser Bedienungsanleitung enthalten.

O = Diese Anweisungen sind nicht in dieser Bedienungsanleitung enthalten. Lassen Sie die Wartung von einer zugelassenen Servicewerkstatt durchführen.

Für alle Wartungs- und Reparaturarbeiten am Gerät ist eine spezielle Schulung erforderlich. Wir garantieren

Allgemeine Gerätewartung	Alle 3 Betriebsstunden	Täglich	12 Stunden nach der Wartung	Alle 3 Monate	Jährlich
Leeren Sie den Staubabscheider.	*				
Überprüfen Sie den Abscheider und den Auszug des Abscheiders.	X				
Sicherstellen, dass der Netzstecker und das Verlängerungskabel sich in einem guten Zustand befinden und nicht beschädigt sind.		*			
Die elektrischen Bauteile, Kabel und Anschlüsse auf Verschleiß und Beschädigung überprüfen.		*			
Prüfen Sie den Fehlerstromschutzschalter (RCD).		*			
Prüfen Sie die Motoren auf Verschmutzung und Risse.		*			
Stellen Sie sicher, dass der Staubabsaugschlauch nicht beschädigt oder verstopft ist.		*			
Überprüfen Sie den Steuerkäfig und die Wurfschaufeln auf Verschleiß. Siehe <i>Bevor Sie das Gerät bedienen auf Seite 45</i> .		X			
Das Gerät reinigen.		X			
Sämtliche Sicherheitsvorrichtungen überprüfen.		X			
Kontrollieren Sie die Dichtungen der Bürstenleiste und die vorderen Gummidichtungen auf Verschleiß.		*			
Sicherstellen, dass alle Muttern und Schrauben fest angezogen sind.			*		
Die Riemenspannung des Keilriemens kontrollieren.				X	
Eine vollständige Wartung und Reinigung des Geräts durchführen.					O

So reinigen Sie das Gerät

- Reinigen Sie immer die gesamte Ausstattung nach dem Gebrauch. Verwenden Sie einen Staubsauger.
- Reinigen Sie das Gerät nicht mit einem Hochdruckreiniger.

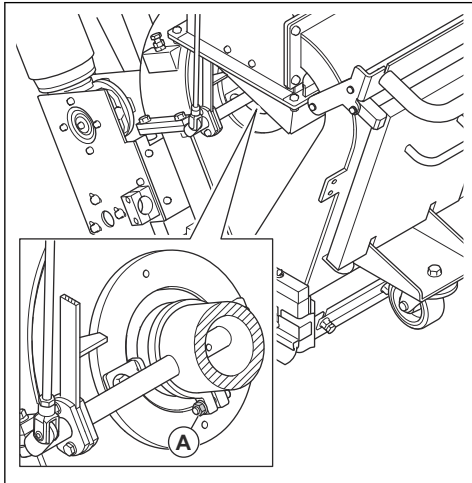
- Halten Sie die Luftöffnungen sauber und frei, um sicherzustellen, dass das Gerät immer eine ausreichend kühle Temperatur hat.

So entfernen Sie Strahlmittel aus dem Trichter

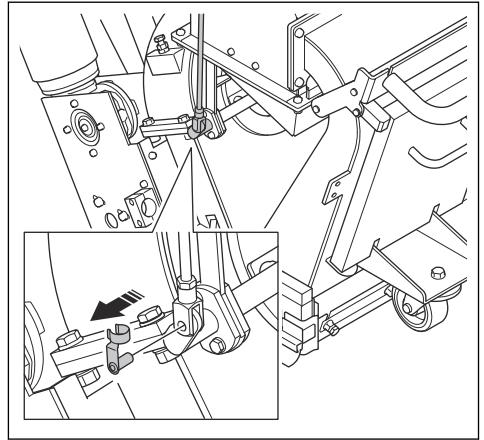
1. Das Gerät starten. Siehe *So starten Sie das Gerät auf Seite 50*.
2. Drücken Sie die ON-Taste des Strahlmotors.
3. Drücken Sie die OFF-Taste des Strahlmotors, wenn der Strahlmotor bei 75 % der maximalen Drehzahl läuft. Öffnen Sie gleichzeitig das Ventil für das Strahlmittel. Siehe *So bedienen Sie das Ventil für das Strahlmittel auf Seite 46*.
4. Schließen Sie nach 3 Sekunden das Ventil für das Strahlmittel.
5. Fahren Sie das Gerät 50 cm nach hinten.
6. Öffnen Sie die Abscheiderklappe, und prüfen Sie, ob noch Strahlmittel vorhanden ist. Wenn sich noch Strahlmittel im Trichter befindet, führen Sie den Vorgang so lange aus, bis der Trichter leer ist.

So entfernen und installieren Sie den Trichter

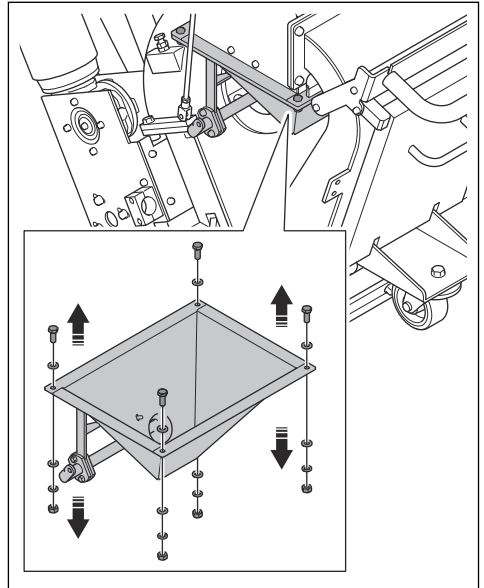
1. Öffnen Sie die Abscheiderklappe, und prüfen Sie, ob sich Strahlmittel im Trichter befindet. Leeren Sie den Trichter, falls sich Strahlmittel darin befindet. Siehe *So entfernen Sie Strahlmittel aus dem Trichter auf Seite 55*.
2. Ziehen Sie den Netzstecker aus der Steckdose.
3. Lösen Sie die Klemme (A) am Strahlmittelventil.



4. Lösen Sie den Hebel für das Strahlmittelventil.



5. Entfernen Sie die 4 Schrauben, die 8 Unterlegscheiben, die 4 Muttern und den Trichter.

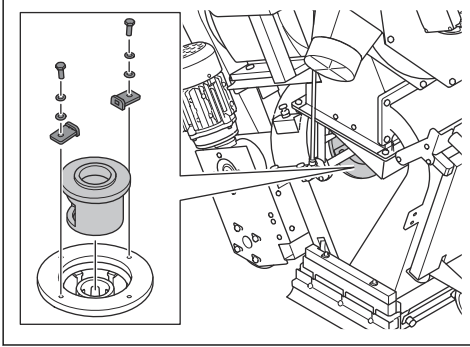


6. Montieren Sie den Trichter in umgekehrter Reihenfolge.

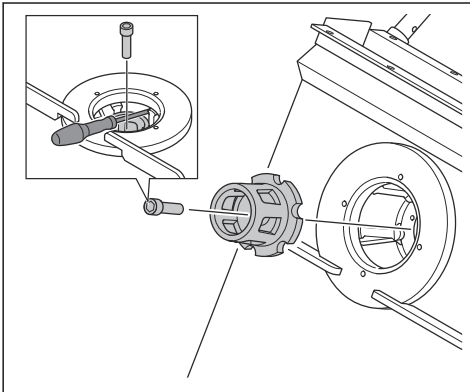
So entfernen Sie das Laufrad

1. Öffnen Sie die Abscheiderklappe, und prüfen Sie, ob sich Strahlmittel im Trichter befindet. Leeren Sie den Trichter, falls sich Strahlmittel darin befindet. Siehe *So entfernen Sie Strahlmittel aus dem Trichter auf Seite 55*.
2. Ziehen Sie den Netzstecker aus der Steckdose.

- Entfernen Sie den Trichter. Siehe *So entfernen und installieren Sie den Trichter auf Seite 55*.
- Entfernen Sie die 2 Schrauben, die 4 Unterlegscheiben, die 2 Käfigklemmen und den Steuerkäfig.



- Stecken Sie ein geeignetes Werkzeug in die Wurfschaufeln, damit sie sich nicht mehr drehen können. Entfernen Sie den Bolzen und entsorgen Sie ihn.

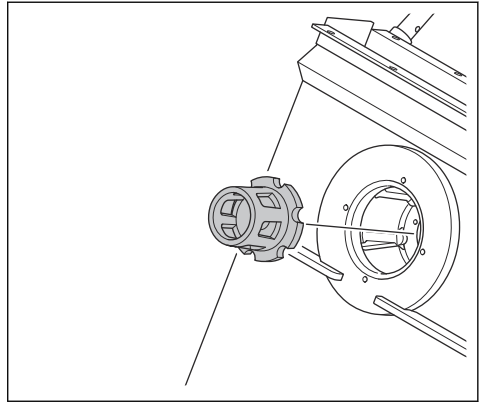


- Entfernen Sie das Laufrad.

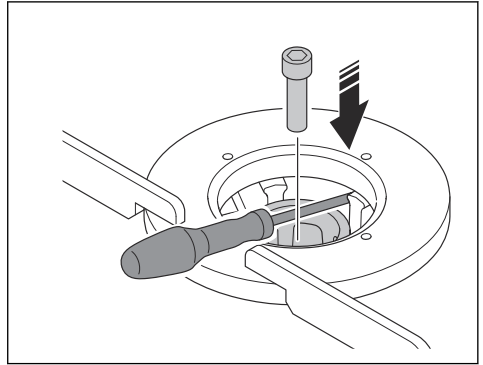
So installieren Sie das Laufrad

- Reinigen Sie das Gewinde der Schraubenbohrung für die Schraube des Laufrads mit Druckluft.

- Installieren Sie das Laufrad.



- Blockieren Sie die Wurfschaufeln mit einem geeigneten Werkzeug und setzen die Schraube für das Laufrad ein.

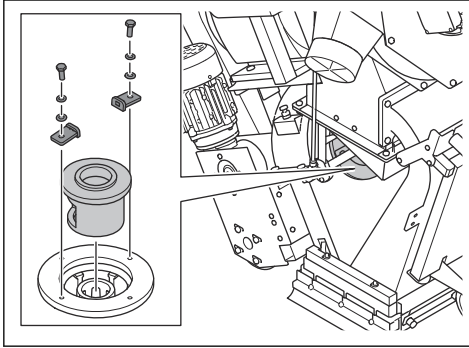


ACHTUNG: Verwenden Sie grundsätzlich immer eine neue Schraube.



ACHTUNG: Wenn Sie beim Einsetzen der Schraube einen ungewöhnlichen Widerstand spüren, reinigen Sie das Gewinde der Schraubenbohrung. Gehen Sie beim Einsetzen der Schraube nicht mit Gewalt vor. Dies könnte das Gerät beschädigen.

- Entfernen Sie die 2 Schrauben, die 4 Unterlegscheiben, die 2 Käfigklemmen und den Steuerkäfig.



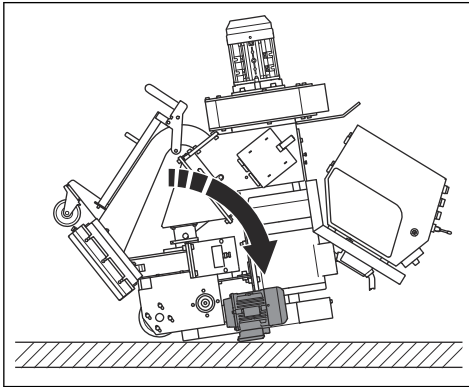
- Installieren Sie den Trichter. Siehe *So entfernen und installieren Sie den Trichter auf Seite 55*.

So entfernen Sie die Wurfschaufeln



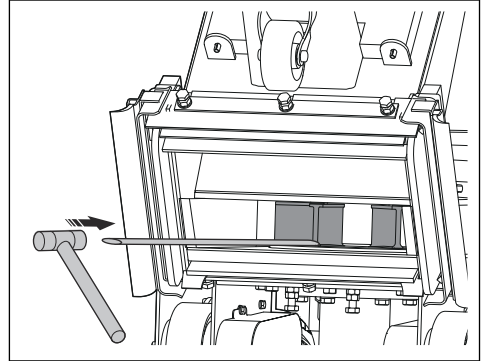
ACHTUNG: Um Unwucht im Schleuderrad zu vermeiden, müssen alle 6 Wurfschaufeln gleichzeitig ersetzt werden.

- Entfernen Sie den Trichter. Siehe *So entfernen Sie das Laufrad auf Seite 55*.
- Entfernen Sie den Steuerkäfig und das Laufrad. Siehe *So entfernen Sie das Laufrad auf Seite 55*.
- Heben Sie den vorderen Teil des Geräts an, und kippen Sie das Gerät nach hinten.



WARNUNG: Stellen Sie sicher, dass das Gerät nicht nach vorn kippt.

- Verwenden Sie einen Durchtreiber aus Messing und einen Hammer, um die Wurfschaufeln herauszudrücken.



ACHTUNG: Üben Sie Druck auf den unteren Teil der Wurfschaufeln aus. Die Wurfschaufeln können brechen.

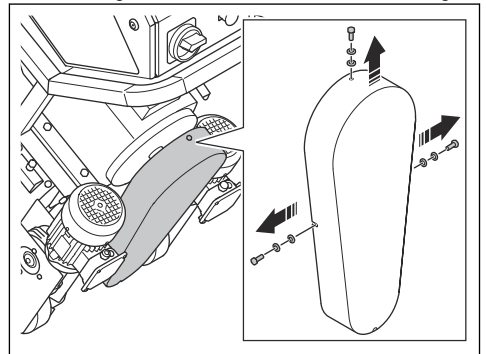
- Reinigen Sie das Schleuderrad vollständig, um den korrekten Sitz von Schaufeln und Laufrad sicherzustellen und eine Unwucht des Schleuderrads zu verhindern.
- Ersetzen Sie alle Schaufeln und bauen Sie das Gerät in umgekehrter Reihenfolge wieder zusammen.

So kontrollieren Sie die Riemenspannung des Keilriemens

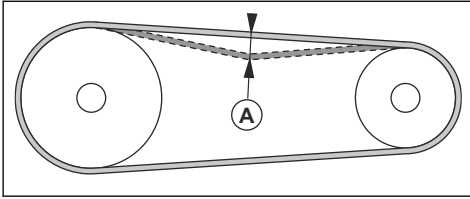


WARNUNG: Betreiben Sie das Gerät nicht ohne Keilriemenabdeckung.

- Stoppen Sie das Gerät. Siehe *So stoppen Sie das Gerät auf Seite 53*.
- Entfernen Sie die 3 Schrauben, die 6 Unterlegscheiben und die Keilriemenabdeckung.



- Überprüfen Sie den Keilriemen auf Beschädigung und Verschleiß.
- Drücken Sie mit Ihrem Daumen auf den Keilriemen, um die Spannung zu prüfen. Wenn Sie die Keilriemen um 10–15 mm (A) eindrücken können, ist die Spannung korrekt.



- Stellen Sie die Keilriemenspannung ein, falls dies erforderlich ist. Lösen Sie die 4 Schrauben des Motors, und legen Sie Streifen unter den Motorfuß.
- Ersetzen Sie den Keilriemen bei Bedarf. Siehe *So ersetzen Sie den Keilriemen auf Seite 58*.
- Montieren Sie die Keilriemenabdeckung.

So ersetzen Sie den Keilriemen

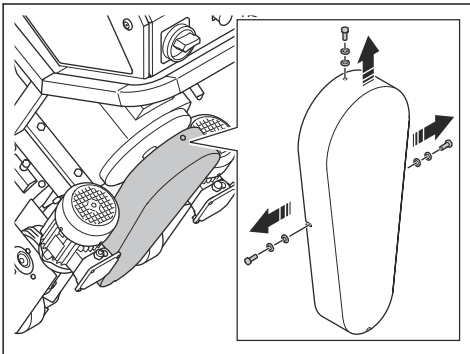


WARNUNG: Entfernen Sie die Keilriemenabdeckung nur, wenn die Stromversorgung unterbrochen ist und die Motoren vollständig zum Stillstand gekommen sind.



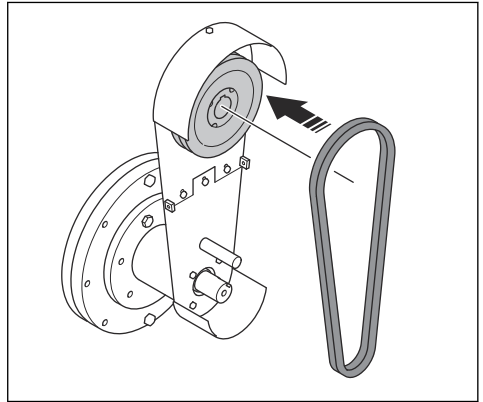
WARNUNG: Betreiben Sie das Gerät nicht ohne Keilriemenabdeckung.

- Stoppen Sie das Gerät. Siehe *So kontrollieren Sie die Riemenspannung des Keilriemens auf Seite 57*.
- Trennen Sie das Netzteil.
- Entfernen Sie die 3 Schrauben, die 6 Unterlegscheiben und die Keilriemenabdeckung.

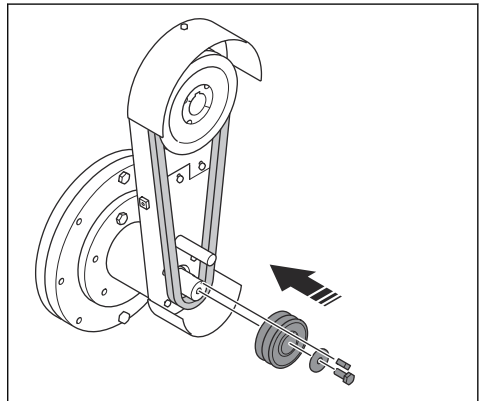


- Lösen Sie die 4 Schrauben des Motors, und entfernen Sie die Streifen, falls erforderlich.

- Entfernen Sie die kleine Keilriemenscheibe und den Keilriemen.
- Setzen Sie den neuen Keilriemen auf die große Keilriemenscheibe.

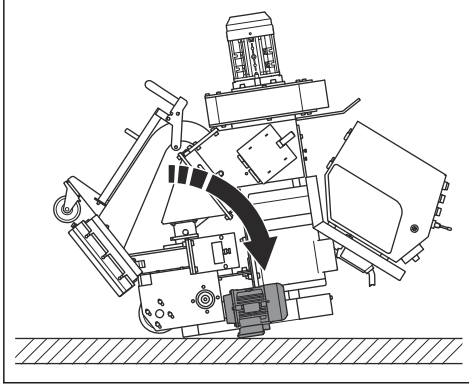


- Legen Sie den neuen Keilriemen um die kleine Keilriemenscheibe.
- Installieren Sie die kleine Keilriemenscheibe.



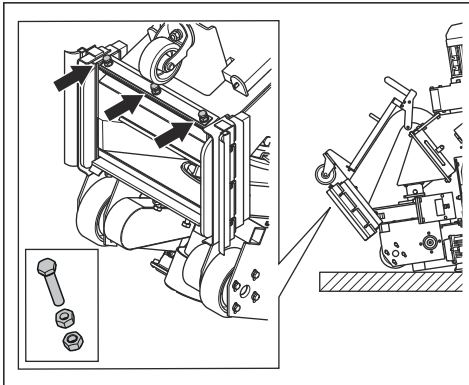
So ersetzen Sie die vorderen Gummidichtungen

1. Heben Sie den vorderen Teil des Geräts an, und kippen Sie das Gerät nach hinten.

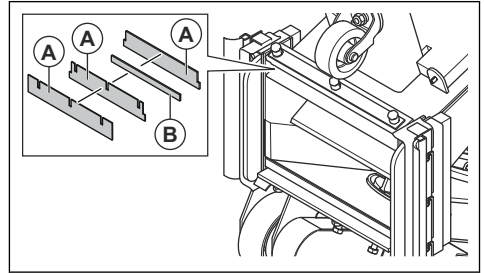


WARNUNG: Stellen Sie sicher, dass das Gerät nicht nach vorn kippt.

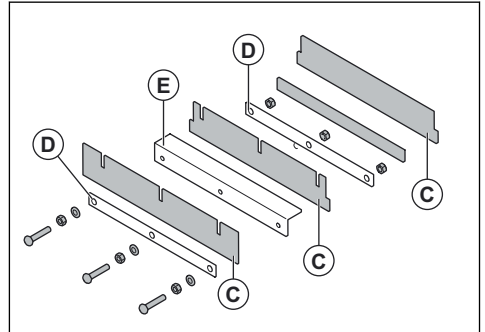
2. Lösen Sie die 6 Muttern, und lösen Sie dann die 3 Schrauben.



3. Entfernen Sie die 3 vorderen Gummidichtungen (A) und den Metallstreifen (B).



4. Setzen Sie die neuen vorderen Gummidichtungen (C) mit den Stahlleisten (D) zwischen den vorderen Gummidichtungen ein. Der Winkelverbinder (E) ist Teil des Gehäuses und darf sich nicht lösen.



5. Montieren Sie die 3 Schrauben, ziehen Sie zuerst die inneren Muttern und dann die äußeren Muttern fest.
6. Setzen Sie das Vorderrad wieder auf die Oberfläche auf.

Fehlersuche

Problem	Ursache	Lösung
Zu starke Vibrationen und/oder ungewöhnliche Geräusche.	Die Wurfschaufeln sind verschlissen oder beschädigt.	Ersetzen Sie die verschlissenen oder beschädigten Teile.
	Das Laufrad ist verschlissen.	Ersetzen Sie das Laufrad.
	Die Wurfschaufeln und der Steuerkäfig sind nicht korrekt ausgerichtet.	Prüfen Sie die Wurfschaufeln und den Steuerkäfig.
	Es sind lose Schrauben und Muttern vorhanden.	Alle Schrauben und Muttern festziehen.
	Der Strahlmotor ist beschädigt.	Wenden Sie sich an eine autorisierte Husqvarna Servicewerkstatt.
	Die Räder sind beschädigt.	Bringen Sie die Räder wieder an.
Verringerte oder keine Leistung.	Die Wurfschaufeln werden nicht ausreichend mit Strahlmittel versorgt.	Reinigen Sie den Auszug des Abscheiders und füllen Sie den Abscheider mit Strahlmittel. Prüfen Sie das Ventil für das Strahlmittel und stellen Sie sicher, dass es nicht verstopft ist.
	Der Strahlmitteltyp ist für die Oberfläche nicht geeignet.	Ersetzen Sie das Strahlmittel durch ein für die Oberfläche geeignetes Strahlmittel.
	Das Strahlmittel ist verschmutzt.	Prüfen Sie den Staubabscheider und den Staubabsaugschlauch.
	Die Wurfschaufeln oder der Steuerkäfig sind verschlissen oder beschädigt.	Tauschen Sie die Wurfschaufeln oder den Steuerkäfig aus.
	Zu viel Strahlmittel trifft zu Beginn des Vorgangs auf die Oberfläche.	Schließen Sie das Ventil für das Strahlmittel und halten Sie das Gerät an. Starten Sie den Vorgang erneut und öffnen Sie langsam das Ventil für das Strahlmittel.
	Der Steuerkäfig ist nicht korrekt installiert.	Stellen Sie den Steuerkäfig so ein, dass ein besseres Strahlmuster erreicht wird.
	Die Betriebsgeschwindigkeit des Geräts ist zu hoch.	Verringern Sie die Betriebsgeschwindigkeit.
	Das Gerät verliert Strahlmittel.	Die Dichtungen sind beschädigt.
Die Qualität des Strahlmittels ist nicht zufriedenstellend.		Ihr Händler steht Ihnen gern für weitere Informationen zur Verfügung.
Die Wurfschaufeln sind verschlissen oder beschädigt.		Ersetzen Sie die Wurfschaufeln.
Das Strahlmittel ist stärker verunreinigt als üblich.	Die Saugleistung des Staubabscheiders ist nicht ausreichend.	Überprüfen Sie den Staubabsaugschlauch und den Staubabscheider.
	Der Staubabsaugschlauch ist verstopft oder beschädigt.	Kontrollieren Sie den Staubabsaugschlauch. Stellen Sie sicher, dass keine Blockierung besteht. Bei Bedarf den Staubabsaugschlauch ersetzen.

Problem	Ursache	Lösung
Der Verschleiß ist an Teilen des Gehäuses höher als üblich.	Es handelt sich um den falschen Strahlmitteltyp.	Ihr Händler steht Ihnen gern für weitere Informationen zur Verfügung.
	Der Steuerkäfig ist nicht korrekt installiert.	Stellen Sie den Steuerkäfig so ein, dass ein besseres Strahlmuster erreicht wird.
	Die Saugleistung des Staubabscheiders ist nicht ausreichend.	Überprüfen Sie den Staubabsaugschlauch und den Staubabscheider.
Das Gerät bewegt sich nicht.	Die Betriebsgeschwindigkeit ist zu niedrig.	Erhöhen Sie die Betriebsgeschwindigkeit.
	Die Steuereinheit ist beschädigt.	Die Steuereinheit ersetzen.
	Der Drehzahlregler ist beschädigt.	Wenden Sie sich an eine autorisierte Husqvarna Servicewerkstatt.
	Die Sicherung ist beschädigt.	
Der Hydraulik-Kreislauf funktioniert nicht ordnungsgemäß.		
Das Steuersystem startet nicht.	Der Motorschutzschalter ist aktiviert.	Starten Sie das Gerät erneut. Überprüfen Sie das Netzteil.
Das Steuersystem stoppt während des Betriebs.	Das Netzteilkabel ist beschädigt.	Das Kabel ersetzen.
	Das Kabel zwischen dem Gerät und dem Staubabscheider ist beschädigt.	Das Kabel ersetzen.
	Der Motorschutzschalter ist aktiviert.	Eine Prüfung durch einen zugelassenen Elektriker durchführen lassen.
	Der Staubabscheider stoppt aufgrund von Überlastung.	Eine Prüfung durch einen zugelassenen Elektriker durchführen lassen.

Transport, Lagerung und Entsorgung

Transport



WARNUNG: Seien Sie beim Transport vorsichtig. Das Gerät ist schwer und kann Verletzungen oder Schäden verursachen, wenn es beim Transport umfällt oder sich bewegt.



ACHTUNG: Ziehen Sie das Gerät nicht mit einem Fahrzeug.

- Trennen Sie das Stromkabel und den Staubabsaugschlauch vor dem Transport.
- Entfernen Sie das Strahlmittel vor dem Transport. Siehe *So entfernen Sie Strahlmittel aus dem Trichter auf Seite 55*.
- Schützen Sie das Gerät während des Transports. Durch diesen Schutz werden während des Transports Naturelemente wie Regen und Schnee vom Gerät ferngehalten.

So bewegen Sie das Gerät eine Rampe hoch bzw. herunter



WARNUNG: Seien Sie besonders vorsichtig, wenn Sie das Gerät eine Rampe hoch- bzw. herunterbewegen. Das Gerät ist schwer und kann Verletzungen verursachen, wenn es umfällt oder zu schnell bewegt wird.



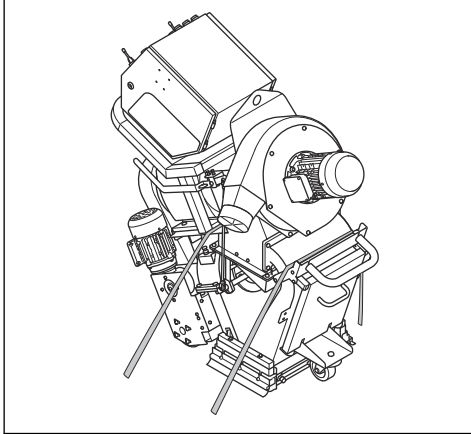
WARNUNG: Verwenden Sie bei Rampen mit steilem Gefälle immer eine Winde. Laufen bzw. stehen Sie nicht unterhalb oder in der Nähe des Geräts.

- Um das Gerät eine Rampe herunter zu bewegen, fahren Sie es langsam vorwärts.
- Um das Gerät eine Rampe hinauf zu bewegen, fahren Sie es langsam rückwärts.
- Drehen Sie das Gerät nicht um mehr als 45° nach links oder rechts auf einer Rampe.

So befestigen Sie das Gerät auf einem Transportfahrzeug

Befestigen Sie das Gerät während des Transports, um Unfälle und Schäden am Gerät zu vermeiden. Befestigen Sie das Gerät mit Spanngurten am Transportfahrzeug.

1. Heben Sie das Gerät auf das Transportfahrzeug.
2. Bringen Sie Zurrgurte um das Gerät herum an.



3. Befestigen Sie Zurrgurte am Transportfahrzeug und ziehen Sie sie fest.

So heben Sie das Gerät an



WARNUNG: Stellen Sie sicher, dass die Hebevorrichtung den korrekten Spezifikationen entspricht, um das Gerät sicher anheben zu können. Auf dem Typenschild des Geräts ist das Gerätegewicht angegeben.

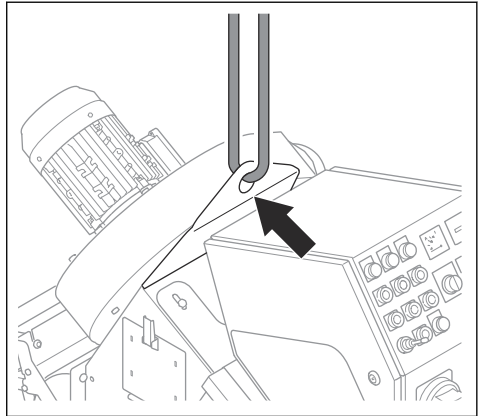


WARNUNG: Laufen bzw. stehen Sie nicht unterhalb oder in der Nähe eines hängenden Geräts. Halten Sie Unbeteiligte vom Arbeitsbereich fern.



WARNUNG: Heben Sie ein Gerät nicht an, wenn es beschädigt ist. Stellen Sie sicher, dass die Hebeöse richtig montiert und unbeschädigt ist.

1. Befestigen Sie die Hebeausrüstung an der Hebeöse.

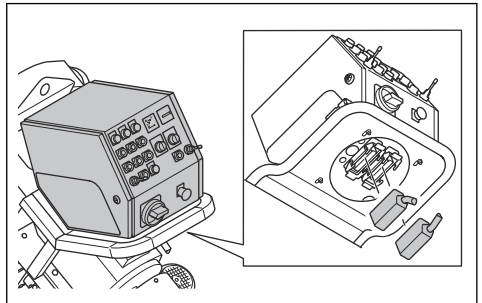


2. Heben Sie das Gerät sicher an. Halten Sie den Griff fest, bis das Gerät sich vom Boden hebt.

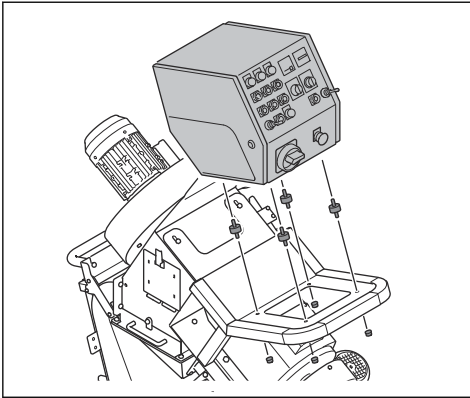
So demontieren Sie das Gerät

Das Gerät kann demontiert werden, wenn es nicht durch kleine Öffnungen passt.

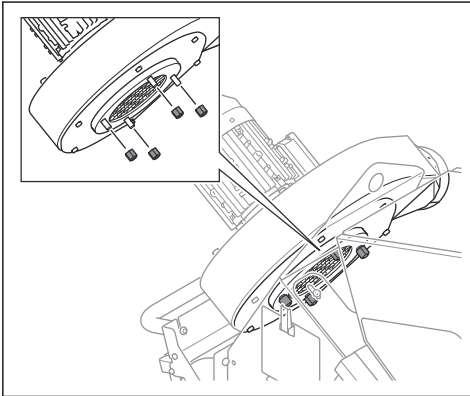
1. Öffnen Sie die Abscheiderklappe, und prüfen Sie, ob sich Strahlmittel im Trichter befindet. Leeren Sie den Trichter, falls sich Strahlmittel darin befindet. Siehe *So entfernen Sie Strahlmittel aus dem Trichter auf Seite 55*.
2. Trennen Sie das Gerät von der Stromversorgung.
3. Entfernen Sie den Staubabsaugschlauch.
4. Schneiden Sie die Kabelbinder durch, mit denen die Stromversorgungskabel befestigt sind.
5. Trennen Sie die Kabel zum Bedienfeld.



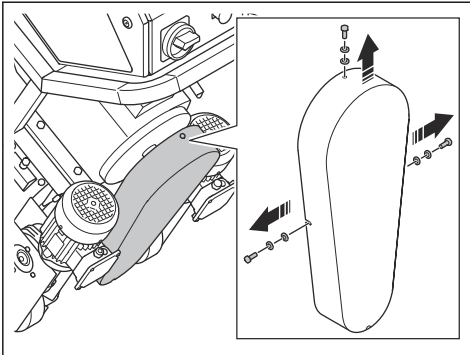
6. Entfernen Sie das Bedienfeld.



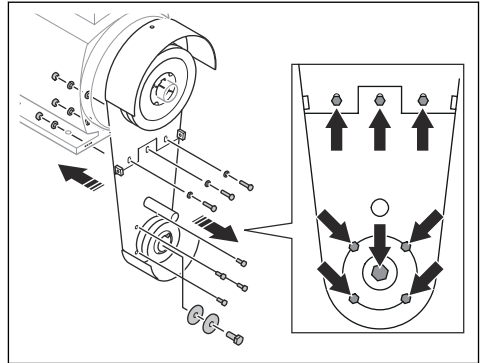
7. Entfernen Sie den das Lüftergehäuse.



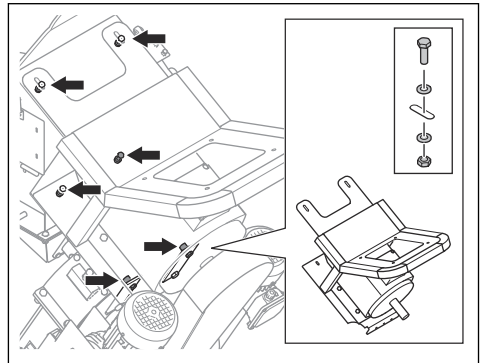
8. Entfernen Sie die Keilriemenabdeckung.



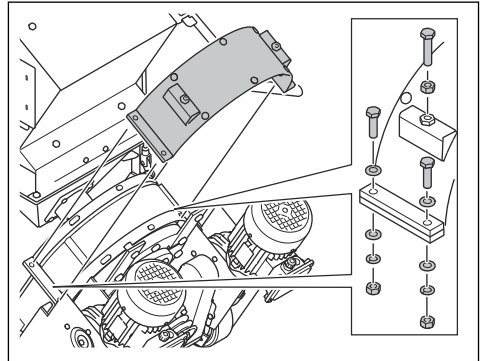
9. Entfernen Sie die Keilriemen-Befestigungsplatte.



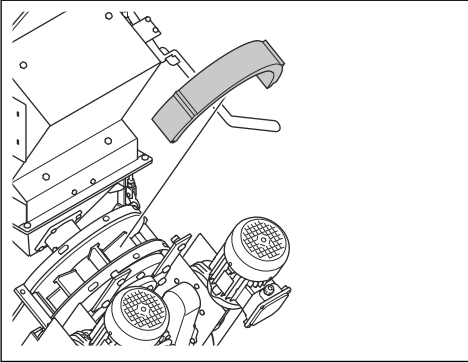
10. Entfernen Sie die Montageplatte des Strahlmotors und den Strahlmotor.



11. Entfernen Sie die Abdeckung der oberen Schutzverkleidung.

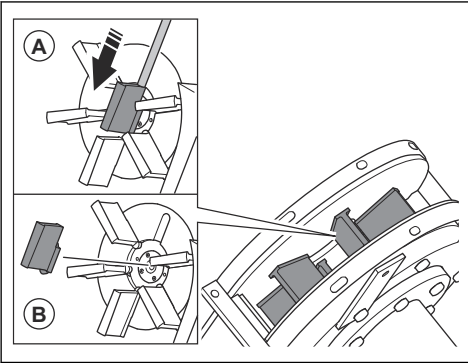


12. Entfernen Sie die obere Schutzverkleidung.



13. Entfernen Sie das Laufrad. Siehe *So entfernen Sie die Wurfschaufeln auf Seite 57*.

14. Verwenden Sie einen Durchtreiber aus Messing und einen Hammer, um die Wurfschaufeln (A) herunterzudrücken.



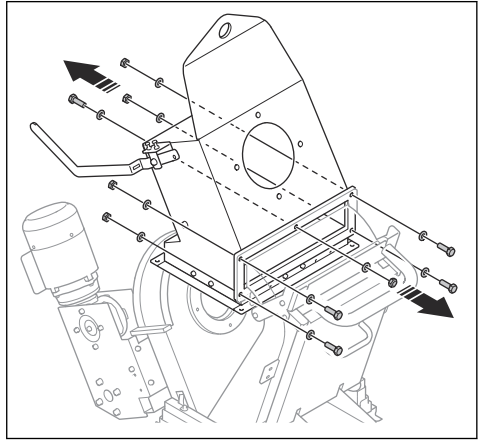
ACHTUNG: Üben Sie Druck auf den unteren Teil der Wurfschaufeln aus. Die Wurfschaufeln können brechen.

15. Entfernen und entsorgen Sie die Wurfschaufeln (B).

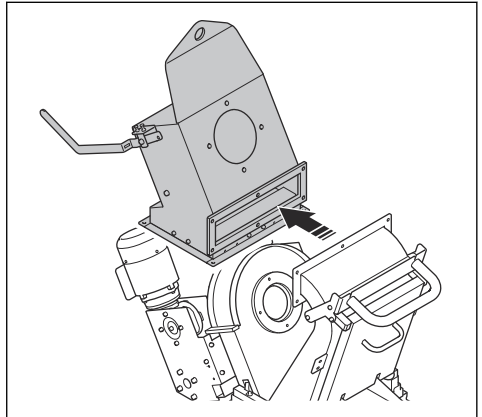


ACHTUNG: Um Unwucht im Schleuderrad zu vermeiden, müssen alle 6 Wurfschaufeln gleichzeitig ersetzt werden.

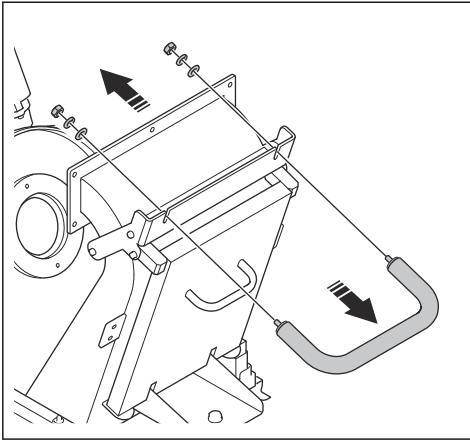
16. Entfernen Sie die Befestigungsschrauben des Abscheiders.



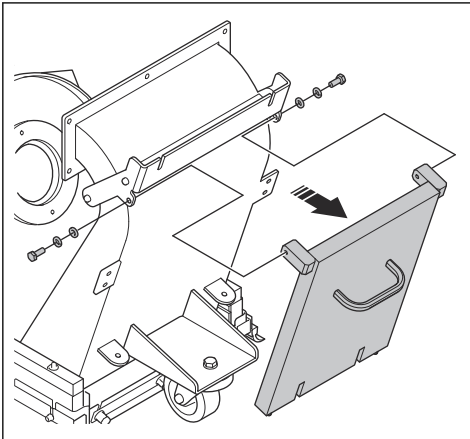
17. Entfernen Sie den Abscheider.



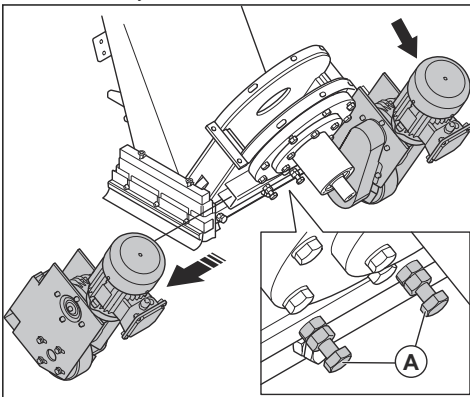
18. Entfernen Sie den Schutzhandgriff.



19. Nehmen Sie die Schutzabdeckung ab.



20. Lösen Sie die 2 Schrauben (A) und entfernen das Antriebsradsystem.



21. Montieren Sie das Gerät in umgekehrter Reihenfolge.

Lagerung



ACHTUNG: Lagern Sie das Gerät nicht im Freien. Lagern Sie das Gerät immer in einem Gebäude.

- Bewahren Sie das Gerät in einem trockenen und frostfreien Raum auf.
- Reinigen Sie das Gerät und führen Sie umfassende Wartungsarbeiten durch, bevor Sie es längere Zeit einlagern.
- Bewahren Sie das Gerät in einem verschlossenen Bereich auf, um einen unerlaubten Zugriff durch Kinder oder andere Personen zu verhindern.
- Entfernen Sie vor der Lagerung das Strahlmittel aus dem Abscheider.

So entsorgen Sie das Gerät

- Befolgen Sie die örtlichen Recyclinganforderungen und geltenden Vorschriften.
- Wenn Sie das Gerät nicht mehr benutzen, senden Sie es an einen Husqvarna-Händler oder entsorgen Sie es bei einer Recyclingstelle.

Technische Daten

	EBE 350E - 50Hz	EBE 350E - 60Hz
Nennleistung, W	11324	15380
Nennspannung, V	400	480/277
Nennfrequenz, Hz	50	60
Nennstrom, A	25	24,4
Kabellänge, m/ft	25/82	
Anschlusskabelart	4×6mm ²	4×AWG8
Arbeitsbreite, mm/Zoll	350/13,7	
Minimale Steigfähigkeit bei der Reinigung, Grad/%	10/18	
Fahrgeschwindigkeit, m/min / ft./min	0–15/0–49	
Gewicht, kg	430/948	
Betriebstemperatur, °C/°F	-5–40/23–104	
Durchmesser Anschluss Staubabsaugschlauch, mm/Zoll	130/5	
Staubabsauger	Weitere Informationen erhalten Sie von einer Husqvarna-Servicewerkstatt.	

Hinweis: Wenn für Ihr Gerät nicht in der Tabelle aufgeführte elektrische Spezifikationen erforderlich sind,

wenden Sie sich an eine Husqvarna-Servicewerkstatt für weitere Informationen.

Lärm- und Vibrationsemissionen

Geräuschemissionen	
Schalleistungspegel, gemessen LWA, dB (A). ¹	111
Schalldruckpegel am Ohr des Bedieners, LP dB (A) ²	94
Vibrationspegel	
Hauptgriff, m/s ² ³	0,4
¹ Schalleistungspegel, bestimmt nach EN ISO 3747. Gemessen auf Stahloberfläche. Unsicherheit KWA 2,5 dB ² Schalldruckpegel, bestimmt nach EN ISO 11202. Gemessen auf Stahloberfläche. Unsicherheit KPA 3 dB ³ Gewichtete effektive Beschleunigung, gemessen am Griff gemäß EN ISO 20643. Gemessen auf Stahloberfläche. Messunsicherheit K 0,1 m/s ²	

Zugelassenes Strahlmittel

	Strahl aus Stahl mit hohem Kohlenstoffgehalt				Köpfung des Stahls mit hohem Kohlenstoffgehalt	
	S-330	S-390	S-460	S-550*	SG25*	SG16*
Zugelassenes Strahlmittel	S-330	S-390	S-460	S-550*	SG25*	SG16*
Abmessung, mm	1,0	1,2	1,4	1,7	1,0	1,4
Härte, HRC	45-52					
*Spezialeinsätze						

Konformitätserklärung für Geräusche und Vibrationen

Diese erklärten Werte wurden in Laborversuchen in Übereinstimmung mit der aufgeführten Richtlinie oder Norm ermittelt und eignen sich für einen Vergleich mit Wertdeklarationen anderer Produkte, die nach der gleichen Richtlinie bzw. Norm geprüft wurden. Diese Wertdeklarationen eignen sich nicht

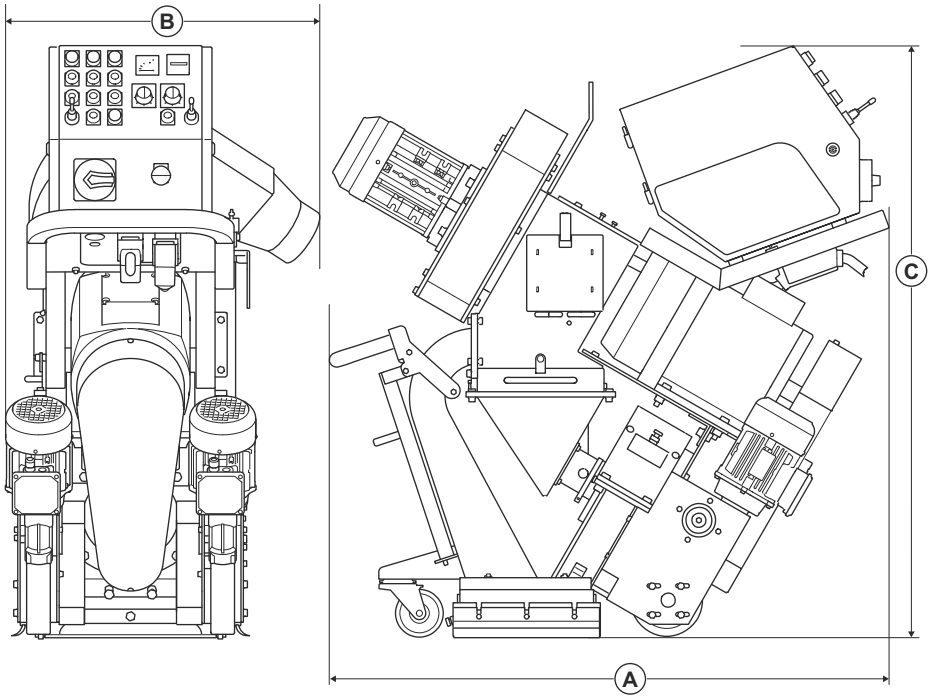
zur Verwendung in Risikobewertungen, zudem können die an einzelnen Arbeitsplätzen gemessenen Werte höher sein. Die tatsächlichen Belastungswerte und das Gefährdungsrisiko eines individuellen Benutzers sind immer spezifisch und davon abhängig, wie der Benutzer arbeitet, in welchem Material das Produkt eingesetzt wird, sowie von der Belastungszeit, dem Gesundheitszustand des Benutzers und dem Gerätezustand.

Verlängerungskabel

Kabellänge	Querschnitt			
	≤ 16 A	≤ 32 A	≤ 63 A	≤ 125 A
Berechnet bei einer Vorsicherung GG ² :	16 A	32 A	63 A	125 A
> 20m	1,5 mm ²	2,5 mm ²	10 mm ²	25 mm ²
20 m > 50 m	2,5 mm ²	4 mm ²	10 mm ²	25 mm ²
50m > 75m	4 mm ²	6 mm ²	16 mm ²	35 mm ²

² Die Querschnitte müssen neu berechnet werden, wenn andere Vorsicherungen verwendet werden als angegeben.

Gerätemaße



A	Länge, mm/Zoll	1350/53
B	Breite, mm/Zoll	650/25,6
D	Höhe, mm/Zoll	1100/43

Konformitätserklärung

EU-Konformitätserklärung

Wir, Husqvarna AB, SE 561 82 Huskvarna, SWEDEN,
Tel. +46 36 146500 erklären in alleiniger Verantwortung,
dass das Gerät:

Beschreibung	Stahlstrahlmaschine
Marke	Husqvarna
Typ/Modell	EBE 350
Identifizierung	Seriennummern ab 2023

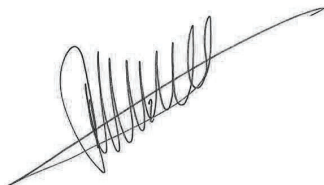
die folgenden EU-Richtlinien und -Verordnungen erfüllt:

Richtlinie/Verordnung	Beschreibung
2006/42/EG	„Maschinenrichtlinie“
2014/30/EU	„EMV-Richtlinie“

und dass die folgenden Normen und/oder technischen
Daten angewendet werden;

EN ISO 12100:2010

Soest, Niederlande, 20



René van der Grint

Leiter CS&F INFRA, Produktkategorie Betonflächen und
-böden

Husqvarna AB, Construction Division

Verantwortlich für die technische Dokumentation,
verfügbar unter Nieuwegracht 9, 3763 LP Soest,
Niederlande.



Sommaire

Introduction.....	70	Transport, entreposage et mise au rebut.....	96
Sécurité.....	73	Caractéristiques techniques	101
Utilisation.....	80	Vibrations et émissions sonores.....	101
Entretien.....	88	Déclaration de conformité.....	104
Recherche de pannes.....	94		

Introduction

Responsabilité du propriétaire



AVERTISSEMENT: Le traitement du béton et de la pierre par des méthodes telles que la coupe, le meulage ou le forage, surtout pendant le fonctionnement à sec, génère de la poussière provenant du matériau traité, laquelle contient souvent de la silice. La silice est un composant de base du sable, du quartz, de l'argile de brique, du granit et de nombreux autres minéraux et roches. L'exposition à une quantité de poussière excessive peut entraîner :

Des maladies respiratoires (affectant vos capacités à respirer) causées par l'exposition à la silice dont la bronchite chronique, la silicose et la fibrose pulmonaire. Ces maladies peuvent être fatales ;

Des irritations et éruptions cutanées.

Le cancer selon le NTP* et le CIRC* * / Programme national de toxicologie, Centre international de recherche sur le cancer.

Suivez les étapes de précaution suivantes :

Évitez toute inhalation et tout contact cutané avec la poussière, le brouillard et la fumée.

Portez et assurez-vous que toutes les personnes aux alentours portent une protection respiratoire appropriée, tel un masque anti-poussière conçu pour filtrer les particules microscopiques. (Consultez la norme 29 CFR partie 1926.1153 de l'OSHA)

Pour réduire les émissions de poussière, utilisez un aspirateur approprié.

Il est de la responsabilité du propriétaire/de l'employeur de s'assurer que l'utilisateur possède les connaissances nécessaires pour manipuler le produit en toute sécurité. Les responsables et les utilisateurs doivent avoir lu et compris le Manuel d'utilisation. Ils doivent avoir conscience :

- Des consignes de sécurité de la machine.
- Des diverses applications de la machine et de ses limites.
- De la façon dont le produit doit être utilisé et entretenu.

Les législations nationales ou locales peuvent limiter l'utilisation de ce produit. Recherchez les législations applicables au lieu où vous travaillez avant d'utiliser le produit.

Description du produit

Le produit est une grenailleuse acier à pousser horizontale fonctionnant avec un moteur électrique. Le produit est équipé d'une roue de grenailage qui projette un matériau abrasif sur la surface à traiter. Le produit doit être raccordé à un aspirateur approprié pendant son fonctionnement.

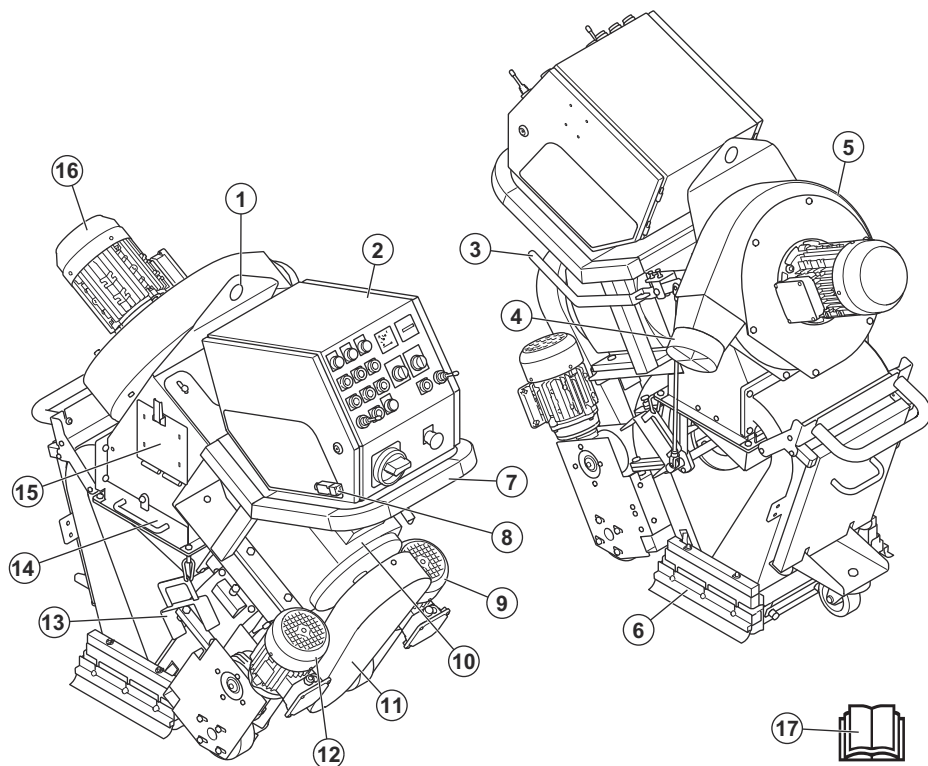
Utilisation prévue

Le produit permet d'enlever des couches de peinture, d'enduit et de contaminants sur les surfaces en acier. Utilisez uniquement le produit sur des surfaces planes sèches et à l'abri du gel.

Le produit est conçu pour un usage commercial par des opérateurs professionnels.

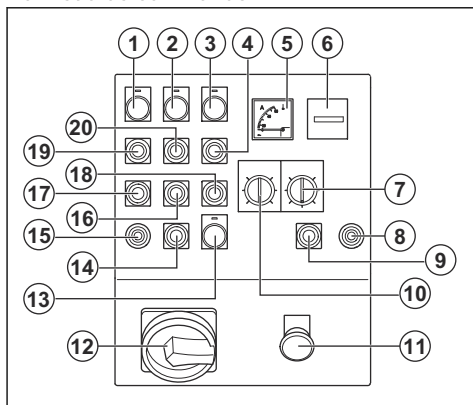
N'utilisez pas ce produit pour d'autres travaux.

Aperçu du produit



1. Anneau de levage
2. Panneau de commande, voir *Panneau de commande à la page 71*
3. Levier de commande du matériau abrasif
4. Raccord de l'aspirateur
5. Ventilateur
6. Joints d'ensemble de brosses
7. Poignée
8. Contrôle de présence de l'opérateur (OPC)
9. Moteur d'entraînement droit
10. Moteur de grenailage
11. Carter de courroie trapézoïdale
12. Moteur d'entraînement gauche
13. Support de joint latéral
14. Bac de séparation
15. Trappe de séparation
16. Ventilateur
17. Manuel d'utilisation

Panneau de commande



1. Témoin du panneau de commande
2. Témoin du ventilateur

3. Témoin du moteur de grenaillage
4. Bouton ON du moteur de grenaillage
5. Ampèremètre
6. Compteur horaire
7. Potentiomètre pour le positionnement
8. Levier de commande du moteur d'entraînement droit
9. Bouton STOP du moteur d'entraînement droit
10. Commande de vitesse
11. Bouton d'arrêt d'urgence
12. Interrupteur ON/OFF principal
13. Voyant de contrôle, témoin d'alimentation électrique
14. Bouton STOP du moteur d'entraînement gauche
15. Levier de commande du moteur d'entraînement gauche
16. Bouton OFF du ventilateur
17. Bouton OFF des moteurs d'entraînement
18. Bouton OFF du moteur de grenaillage
19. Bouton ON des moteurs d'entraînement
20. Bouton ON du ventilateur



haute tension.



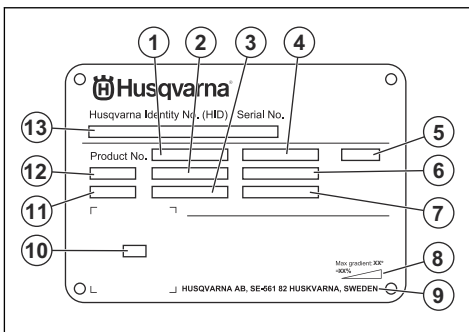
Point de levage.



Ce produit est conforme aux directives de l'UE en vigueur.

Remarque: les autres symboles/autocollants présents sur le produit concernent des exigences de certification spécifiques à certains marchés.

Plaque signalétique



1. Référence de produit
2. Poids du produit
3. Puissance nominale
4. Tension nominale
5. Boîtier
6. Intensité nominale
7. Fréquence
8. Angle de pente maximal
9. fabricant
10. QR code
11. Année de production
12. Modèle
13. Numéro de série

Endommagement du produit

Nous ne sommes pas responsables des dommages subis par le produit si :

- le produit n'est pas correctement réparé ;
- le produit est réparé avec des pièces qui ne proviennent pas du fabricant ou qui ne sont pas homologuées par le fabricant ;

Symboles concernant le produit



AVERTISSEMENT : ce produit peut être dangereux et causer des blessures graves, voire mortelles, à l'opérateur ou à d'autres personnes. Soyez prudent et utilisez le produit correctement.



Lisez avec attention le manuel d'utilisation et assurez-vous de bien comprendre les instructions avant d'utiliser ce produit.



Portez une protection respiratoire homologuée.



Utilisez des protège-oreilles homologués.



Utilisez des protections pour les yeux homologuées.



Utilisez des gants de protection homologués.



Utilisez des bottes de protection homologuées.

- le produit est équipé d'un accessoire qui ne provient pas du fabricant ou qui n'est pas homologué par le fabricant ;
- le produit n'est pas réparé par un centre d'entretien agréé ou par une autorité homologuée.

Sécurité

Définitions de sécurité

Des avertissements, des recommandations et des remarques sont utilisés pour souligner des parties spécialement importantes du manuel.



AVERTISSEMENT: Symbole utilisé en cas de risque de blessures ou de mort pour l'opérateur ou les personnes à proximité si les instructions du manuel ne sont pas respectées.



REMARQUE: Symbole utilisé en cas de risque de dommages pour le produit, d'autres matériaux ou les environs si les instructions du manuel ne sont pas respectées.

Remarque: Symbole utilisé pour donner des informations supplémentaires pour une situation donnée.

Instructions générales de sécurité



AVERTISSEMENT: lisez les instructions qui suivent avant d'utiliser le produit.

- Ce produit est un outil dangereux si vous ne faites pas attention ou si vous l'utilisez de manière incorrecte. Ce produit peut causer des blessures graves, voire mortelles, à l'opérateur ou à d'autres personnes. Avant d'utiliser le produit, il convient de lire attentivement et de bien comprendre les instructions contenues dans ce manuel de l'opérateur.
- Ce produit n'est pas destiné à être utilisé par des personnes (ou des enfants) aux capacités physiques, sensorielles ou mentales limitées ou manquant d'expérience et de connaissances.
- Conservez tous les avertissements de sécurité et toutes les instructions.
- Respectez l'ensemble des lois et réglementations applicables.
- L'opérateur et son employeur doivent connaître et éviter tout risque au cours de l'utilisation du produit.
- Ne laissez personne utiliser le produit avant d'avoir lu et compris le contenu du manuel de l'opérateur.
- N'utilisez pas le produit sauf si vous bénéficiez d'une formation préalable. Assurez-vous que tous les opérateurs suivent une formation.
- Ne laissez pas un enfant utiliser le produit.
- Seules les personnes autorisées peuvent utiliser le produit.
- L'utilisateur est tenu responsable des accidents auxquels il expose autrui ou ses biens.
- N'utilisez jamais l'appareil si vous êtes fatigué ou malade, ou si vous êtes sous l'emprise d'alcool, de drogues ou de médicaments.
- Soyez toujours prudent et utilisez votre bon sens.
- Maintenez le produit propre. Assurez-vous que vous pouvez lire clairement les avertissements et les autocollants.
- N'utilisez pas le produit s'il est endommagé ou s'il ne fonctionne pas correctement.
- Ne modifiez pas le produit.
- N'utilisez pas le produit s'il est susceptible d'avoir été modifié par d'autres personnes.
- utilisez un équipement de protection individuelle. Reportez-vous à *Équipement de protection individuel à la page 75*.
- Une exposition excessive aux vibrations peut entraîner des troubles circulatoires ou nerveux chez les personnes sujettes à des troubles cardiovasculaires. Consultez un médecin en cas de symptômes liés à une exposition excessive aux vibrations. Ces symptômes peuvent être les suivants : insensibilisation ou irritation locale, douleur, chatouillements, faiblesse musculaire, décoloration ou modification cutanée. Ces symptômes affectent généralement les doigts, les mains ou les poignets.
- N'utilisez pas le produit sans les caches de protection.
- Assurez-vous de savoir comment couper les moteurs rapidement en cas d'urgence.
- Avant de vous éloigner du produit, coupez les moteurs et débranchez le cordon d'alimentation. Assurez-vous qu'il n'y a aucun risque de démarrage accidentel.
- Assurez-vous que des vêtements, cheveux longs et bijoux ne peuvent pas se coincer dans les pièces en mouvement.
- Veillez à vous tenir dans une position stable et sûre pendant l'utilisation du produit.



AVERTISSEMENT: lisez les instructions qui suivent avant d'utiliser le produit.

Instructions de sécurité pour le fonctionnement

- Vérifiez l'absence de vis ou d'écrous desserrés.
- Évitez de soulever ou d'incliner le produit pendant le fonctionnement. Le matériau abrasif est expulsé du produit à grande vitesse et peut provoquer des blessures. Débranchez toujours la fiche d'alimentation avant de soulever ou d'incliner le produit.
- Assurez-vous que le séparateur et le bac de séparation sont fermés pendant le fonctionnement.
- N'utilisez pas le produit si vous ne pouvez pas être secouru en cas d'accident.
- Utilisez uniquement des accessoires homologués. Pour plus d'informations, contactez votre revendeur Husqvarna.
- Si des vibrations se produisent dans le produit ou si le niveau sonore du produit est anormalement élevé, arrêtez immédiatement le produit. Débranchez la fiche d'alimentation électrique. Vérifiez que le produit n'est pas endommagé. Réparez les éventuels dommages ou demandez à un atelier spécialisé agréé de procéder aux réparations.
- Raccordez toujours le produit à un aspirateur pour éliminer la poussière.
- Ne tirez pas sur le tuyau de l'aspirateur. Le produit peut tomber et causer des blessures et dommages.
- Laissez l'aspirateur en marche jusqu'à l'arrêt complet des moteurs.
- Utilisez le produit uniquement lorsque vous vous trouvez à l'arrière, avec les mains sur la poignée.
- Vérifiez l'absence d'huile ou de graisse sur les poignées.
- Vérifiez que les joints de l'ensemble de brosses ne sont pas endommagés.
- Vérifiez que les joints de l'ensemble de brosses sont posés à la bonne hauteur.
- Utilisez uniquement un matériau abrasif homologué. Pour plus d'informations, contactez votre revendeur Husqvarna. Reportez-vous à *Matériau abrasif approuvé à la page 102*.
- Assurez-vous que le sens de rotation du ventilateur est correct. Le sens de rotation correct est indiqué par une flèche sur le couvercle du ventilateur.

Précautions relatives aux vibrations



AVERTISSEMENT: lisez les instructions qui suivent avant d'utiliser le produit.

- Au cours de l'utilisation du produit, des vibrations sont ressenties entre le produit et l'opérateur. Un fonctionnement régulier et fréquent du produit peut blesser ou augmenter le risque de blessures graves chez l'opérateur. Des blessures peuvent se produire au niveau des doigts, des mains, des poignets, des bras, des épaules, et/ou des nerfs et des organes d'irrigation sanguine, ou d'autres parties du corps. Les blessures peuvent être invalidantes et/ou permanentes et peuvent

augmenter progressivement pendant des semaines, des mois ou des années. Des dommages peuvent également être provoqués au niveau du système de circulation sanguine, du système nerveux, des articulations et d'autres parties du corps.

- Des symptômes peuvent se produire pendant le fonctionnement du produit ou à un autre moment. Si vous avez des symptômes et que vous continuez d'utiliser le produit, ceux-ci peuvent augmenter ou devenir permanents. Si l'un de ces symptômes ou d'autres symptômes se produisent, consultez un médecin :
 - engourdissement, perte de sensibilité, fourmillements, picotements, douleur, brûlure, palpitations, raideur, maladresse, faiblesse musculaire, changement de pigmentation de la peau ou de l'état physique.
- Les symptômes peuvent augmenter par temps froid. Utilisez des vêtements chauds et gardez les mains au chaud et au sec lorsque vous faites fonctionner le produit dans un environnement froid.
- Procédez à l'entretien et utilisez le produit comme indiqué dans le manuel d'utilisation afin de maintenir un bon niveau de vibrations.
- Le produit est doté d'un système anti-vibrations qui réduit les vibrations entre les poignées et l'opérateur. Laissez le produit faire le travail.
- Gardez uniquement les mains sur la ou les poignées. Éloignez toutes les autres parties du corps du produit.
- Arrêtez le produit immédiatement si de fortes vibrations se produisent soudainement. Ne poursuivez pas l'opération avant que la cause de l'augmentation des vibrations ait été corrigée.

Sécurité antipoussière



AVERTISSEMENT: lisez les instructions qui suivent avant d'utiliser le produit.

- Le fonctionnement du produit peut générer de la poussière dans l'air. La poussière peut provoquer des blessures graves et des problèmes de santé irréversibles. Plusieurs organismes classent la poussière de silice parmi les poussières dangereuses. Voici quelques exemples de problèmes de santé pouvant être causés :
 - Maladies pulmonaires mortelles telles que la bronchite chronique, la silicose et la fibrose pulmonaire
 - Cancer
 - Anomalies congénitales
 - Inflammation de la peau.
- Utilisez un équipement adapté permettant de réduire la quantité de poussière et de fumées dans l'air et de diminuer la poussière présente sur les équipements de travail, les surfaces, les vêtements et les parties du corps. Par exemple, des systèmes de collecte de

la poussière. Réduisez la quantité de poussière au niveau de la source, dans la mesure du possible. Assurez-vous que l'équipement est correctement installé et utilisé, et qu'un entretien régulier est effectué.

- Portez une protection respiratoire homologuée. Assurez-vous que la protection respiratoire est adaptée aux matériaux dangereux dans la zone de travail.
- Assurez-vous que la zone de travail est suffisamment aérée.

Sécurité relative au bruit



AVERTISSEMENT: Lisez les instructions qui suivent avant d'utiliser le produit.

- Des niveaux sonores élevés et une exposition prolongée au bruit peuvent provoquer une perte auditive.
- Afin de maintenir le niveau sonore au minimum, effectuez l'entretien et utilisez le produit comme indiqué dans le manuel d'utilisation.
- Utilisez des protège-oreilles homologués pendant l'utilisation du produit.
- Soyez attentif aux signaux d'alerte et aux appels lorsque vous portez des protège-oreilles. Retirez les protège-oreilles lorsque le produit est arrêté, sauf si les protège-oreilles sont nécessaires en raison du niveau sonore dans la zone de travail.

Équipement de protection individuel



AVERTISSEMENT: lisez les instructions qui suivent avant d'utiliser le produit.

- Portez toujours un équipement de protection individuel homologué lorsque vous utilisez le produit. L'équipement de protection individuel ne protège pas complètement des blessures, mais il diminue la gravité des blessures en cas d'accident. Faites appel à votre revendeur pour vous aider à sélectionner l'équipement de protection individuel adéquat et vous indiquer quand l'utiliser.
- Vérifiez régulièrement l'état de votre équipement de protection individuel.
- Utilisez des protège-oreilles homologués.
- Portez une protection respiratoire homologuée.
- Utilisez des protections pour les yeux homologuées avec protections latérales.
- utilisez des gants de protection.
- Utilisez des bottes avec coquille en acier et semelles antidérapantes.
- Utilisez des vêtements de travail homologués ou des vêtements près du corps équivalents dotés de manches longues et d'un pantalon.

Extincteur

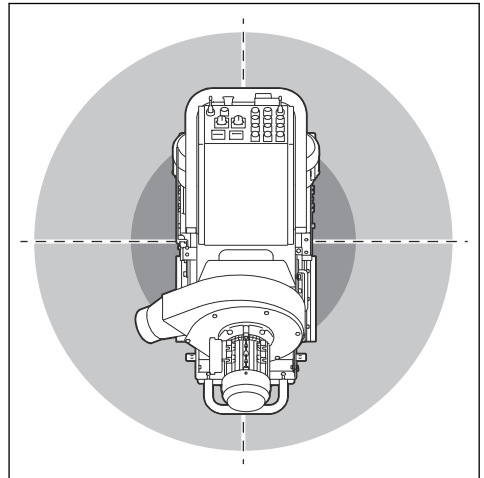
- Gardez un extincteur à proximité lors de l'utilisation du produit.
- Utilisez un extincteur à poudre ou un extincteur à gaz carbonique.

Sécurité dans la zone de travail



AVERTISSEMENT: lisez les instructions qui suivent avant d'utiliser le produit.

- Il incombe à l'utilisateur d'analyser la surface à traiter. L'utilisateur doit effectuer une évaluation des risques sur la base des informations obtenues sur la surface à traiter et prendre les précautions appropriées pour le travail à effectuer.
- N'utilisez pas le produit en cas de brouillard, pluie, vents violents, risque de foudre ou autres conditions climatiques.
- Identifiez les éventuels personnes, objets et situations susceptibles de nuire à la sécurité du fonctionnement du produit.
- N'utilisez pas ce produit dans des zones présentant un risque d'incendie ou d'explosion. Le produit provoque des étincelles, et les matériaux inflammables peuvent s'enflammer en présence de poussière ou de fumées.
- Éloignez les animaux, les enfants et toute personne de la zone de travail et à une distance de sécurité du produit. La distance de sécurité est de 15 m/49 pi.



- Assurez-vous d'éloigner les personnes et les animaux de la zone de travail, et de les maintenir à une distance de sécurité du produit.
- Assurez-vous que seules les personnes autorisées se trouvent dans la zone de travail.

- Veillez à ce que la zone de travail reste propre et correctement éclairée. Les espaces encombrés ou sombres exposent à des accidents.
- Retirez les objets tels que les vis, les boulons, les câbles et les pierres de la zone de travail avant d'utiliser le produit.
- Assurez-vous qu'aucun câble ou tuyau n'est présent dans le sens de marche du produit.
- Assurez-vous que les surfaces irrégulières, telles que les joints soudés ou les joints au sol, n'arrêtent pas le produit.
- Assurez-vous qu'il y ait une circulation d'air suffisante dans la zone de travail.

Si la résistance du secteur est plus élevée, de brèves chutes de tension peuvent se produire au démarrage du produit. Cela peut affecter le fonctionnement d'autres produits ; les lampes peuvent par exemple vaciller.

Sécurité électrique



AVERTISSEMENT: les produits électriques présentent toujours un risque d'électrocution. N'utilisez pas le produit dans de mauvaises conditions météorologiques. Ne touchez pas de paratonnerres ni d'objets métalliques. Utilisez toujours le produit comme indiqué dans ce manuel d'utilisation pour éviter les blessures.



AVERTISSEMENT: utilisez toujours une alimentation électrique avec RCD (disjoncteur différentiel de fuite à la terre). L'utilisation d'un RCD permet de réduire le risque de choc électrique.



AVERTISSEMENT: Haute tension. Il y a des pièces non protégées dans l'unité électrique. Débranchez toujours le produit de la fiche d'alimentation avant d'ouvrir la porte du boîtier électrique.



AVERTISSEMENT: utilisez la prise de la machine uniquement aux fins spécifiées dans les instructions.



REMARQUE: l'alimentation électrique du produit ou du générateur doit être suffisamment puissante et constante pour que le moteur puisse fonctionner sans problème. Une tension incorrecte provoque l'augmentation de la consommation d'énergie et de la température du moteur jusqu'au déclenchement du circuit de sécurité. Les dimensions du cordon d'alimentation doivent être conformes aux réglementations nationales et locales. Les dimensions de la prise de courant murale doivent être conformes à l'ampérage de la prise électrique et du câble de rallonge du produit.

- La fiche d'alimentation doit être adaptée à la prise. N'apportez jamais de modifications à la fiche. N'utilisez pas de fiches d'adaptation avec des machines mises à la terre. Des fiches non modifiées et des prises compatibles réduiront le risque d'électrocution.
- Évitez tout contact physique avec les surfaces mises à la terre telles que les tuyaux, les radiateurs, les cuisinières et les réfrigérateurs. Le risque d'électrocution est plus important si le corps est relié à la terre.
- Assurez-vous que la tension d'alimentation, des fusibles et du secteur est identique à celle indiquée sur la plaque signalétique du produit.
- Arrêtez toujours le produit avant de débrancher la fiche d'alimentation.
- Assurez-vous que l'interrupteur Marche/Arrêt est en position d'arrêt avant de brancher le produit sur l'alimentation électrique.
- Débranchez toujours la fiche d'alimentation en cas d'arrêt prolongé du produit.
- N'utilisez pas le produit si le cordon d'alimentation ou la fiche d'alimentation sont endommagés. Si le cordon d'alimentation est endommagé, il doit être remplacé par le fabricant, son atelier spécialisé ou toute autre personne habilitée, afin d'éviter tout danger. Un cordon d'alimentation endommagé peut provoquer des blessures graves, voire mortelles.
- Utilisez le cordon d'alimentation correctement. N'utilisez pas le cordon d'alimentation pour déplacer, tirer ou débrancher le produit. Tirez sur la fiche d'alimentation pour débrancher le câble d'alimentation. Ne tirez pas le cordon d'alimentation.
- Utilisez uniquement le produit sur des surfaces sèches.
- Tenez le produit à l'abri de la pluie. L'eau qui s'infiltre dans le produit augmente le risque d'électrocution.
- Débranchez toujours de cordon d'alimentation avant de brancher ou débrancher la connexion du câble du moteur et du boîtier électrique.
- Afin d'éviter tout danger dû à une réinitialisation accidentelle du disjoncteur thermique, cet appareil ne doit pas être alimenté par un dispositif de commutation externe, tel qu'une minuterie, ou connecté à un circuit régulièrement mis sous et hors tension par le fournisseur d'électricité.
- Assurez-vous que l'alimentation électrique du produit est fournie par des transformateurs distincts qui sont utilisés à des fins industrielles uniquement.

Instructions pour produit mis à la terre



AVERTISSEMENT: un mauvais branchement peut provoquer un choc électrique. Consultez un électricien agréé si vous n'êtes pas certain que votre prise secteur soit correctement mise à la terre.

Ne modifiez pas la prise de courant par rapport à ses spécifications d'usine. Si la fiche ou le cordon d'alimentation est endommagé ou doit être remplacé, contactez votre atelier spécialisé Husqvarna. Respectez la législation et les réglementations locales.

Si vous n'avez pas bien compris les instructions de mise à la terre du produit, consultez un électricien homologué.

Utilisez uniquement des rallonges extérieures mises à la terre avec des fiches de mise à la terre et une prise de mise à la terre acceptant la fiche d'alimentation du produit.

Le produit est équipé d'un cordon d'alimentation de mise à la terre et d'une prise de courant. Branchez systématiquement le produit sur une prise secteur mise à la terre. Cela réduit le risque de choc électrique.

N'utilisez pas d'adaptateurs électriques avec le produit.

Rallonges

- Utilisez uniquement des rallonges homologuées avec des propriétés adéquates.
- La valeur nominale sur la rallonge doit être identique ou supérieure à celle indiquée sur la plaque signalétique du produit.
- Utilisez des rallonges mises à la terre.
- Lorsque vous utilisez l'outil à l'extérieur, utilisez une rallonge adaptée à un usage extérieur. Cela réduit le risque de choc électrique.
- Maintenez la connexion de la rallonge au sec et au-dessus du sol.
- Maintenez la rallonge à l'écart de la chaleur, d'huile, des bords tranchants ou des pièces mobiles. Un câble endommagé augmente le risque de choc électrique.
- Assurez-vous que la rallonge est en bon état et non endommagée.
- N'utilisez pas la rallonge lorsqu'elle est enroulée. Cela peut entraîner une surchauffe de la rallonge.
- Assurez-vous que la rallonge se trouve en dehors du passage et du produit pendant le fonctionnement. Cela empêche toute dégradation de la rallonge.

Dispositifs de sécurité sur le produit



AVERTISSEMENT: lisez les instructions qui suivent avant d'utiliser le produit.

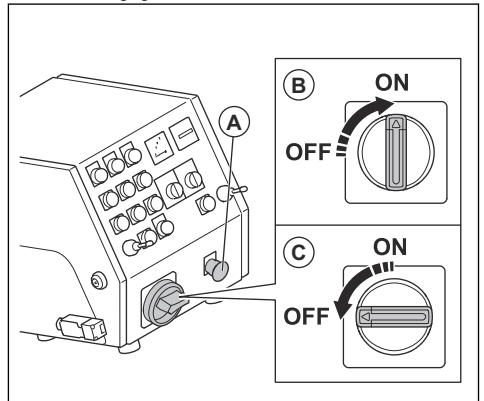
- N'utilisez pas le produit si les dispositifs de sécurité sont endommagés ou ne fonctionnent pas correctement.
- Contrôlez les dispositifs de sécurité quotidiennement. Si vos dispositifs de sécurité sont endommagés ou ne fonctionnent pas correctement, contactez votre atelier spécialisé Husqvarna.
- N'apportez pas de modifications aux dispositifs de sécurité

Interrupteur de marche/arrêt

L'interrupteur Marche/Arrêt permet d'activer ou de couper l'alimentation électrique du produit.

Contrôle de l'interrupteur ON/OFF

1. Tournez le bouton d'arrêt d'urgence (A) dans le sens des aiguilles d'une montre pour vous assurer qu'il est désengagé.



2. Tournez l'interrupteur ON/OFF en position ON (B).
3. Assurez-vous que le voyant de contrôle du panneau de commande s'allume.
4. Tournez l'interrupteur ON/OFF en position OFF (C).
5. Assurez-vous que le voyant de contrôle du panneau de commande s'éteint.

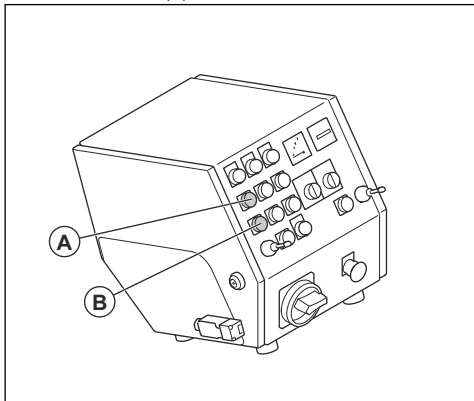
Boutons ON/OFF des moteurs d'entraînement

Les boutons ON/OFF des moteurs d'entraînement permettent de démarrer et d'arrêter les moteurs d'entraînement. Reportez-vous à *Contrôle des moteurs d'entraînement* à la page 77.

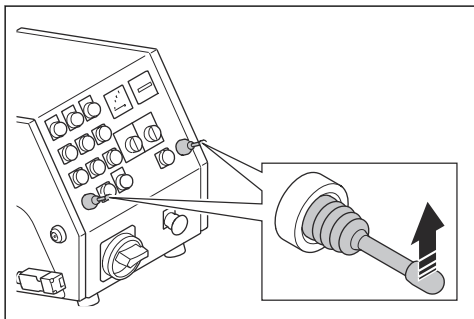
Contrôle des moteurs d'entraînement

1. Tournez le bouton d'arrêt d'urgence dans le sens des aiguilles d'une montre pour vous assurer qu'il est désengagé.
2. Placez l'interrupteur Marche/Arrêt en position de marche.

- Appuyez sur le bouton ON des moteurs d'entraînement (A).



- Assurez-vous que le témoin s'allume.
- Placez la commande de vitesse sur 1.
- Poussez les 2 leviers de commande vers l'avant. Assurez-vous que le produit fonctionne en marche avant.



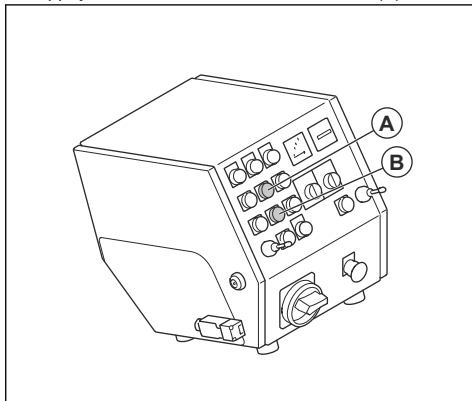
- Mettez les 2 leviers de commande en position neutre. Assurez-vous que le produit s'arrête.
- Tirez les 2 leviers de commande vers l'arrière. Assurez-vous que le produit fonctionne en marche arrière.
- Mettez les 2 leviers de commande en position neutre.
- Appuyez sur le bouton OFF des moteurs d'entraînement (B).
- Assurez-vous que le témoin s'éteint.

Boutons ON/OFF du ventilateur

Les boutons ON/OFF du ventilateur permettent de démarrer et d'arrêter le ventilateur. Reportez-vous à *Contrôle des boutons ON/OFF du ventilateur* à la page 78.

Contrôle des boutons ON/OFF du ventilateur

- Tournez le bouton d'arrêt d'urgence dans le sens des aiguilles d'une montre pour vous assurer qu'il est désengagé.
- Placez l'interrupteur Marche/Arrêt en position de marche.
- Appuyez sur le bouton ON du ventilateur (A).



- Assurez-vous que le ventilateur démarre.
- Appuyez sur le bouton OFF du ventilateur (B).
- Assurez-vous que le ventilateur s'arrête.

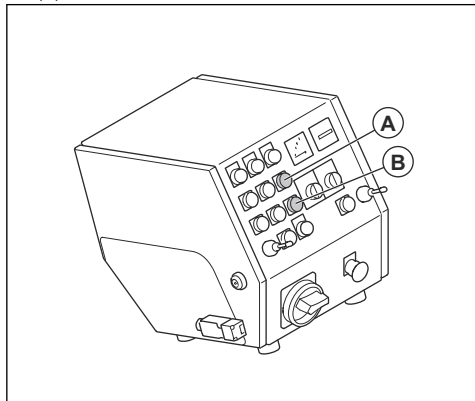
Boutons ON/OFF du moteur de grenailage

Les boutons ON/OFF du moteur de grenailage permettent de démarrer et d'arrêter le moteur de grenailage. Reportez-vous à *Contrôle des boutons ON/OFF du moteur de grenailage* à la page 78.

Contrôle des boutons ON/OFF du moteur de grenailage

- Tournez le bouton d'arrêt d'urgence dans le sens des aiguilles d'une montre pour vous assurer qu'il est désengagé.
- Placez l'interrupteur Marche/Arrêt en position de marche.

3. Appuyez sur le bouton ON du moteur de grenailage (A).



4. Assurez-vous que le moteur de grenailage démarre.
5. Appuyez sur le bouton OFF du moteur de grenailage (B).
6. Assurez-vous que le moteur de grenailage s'arrête.

Ampèremètre

L'ampèremètre indique la charge de grenaille sur la surface. L'intensité maximale est indiquée au-dessus de l'ampèremètre.

Contrôle de l'ampèremètre

Reportez-vous à *Panneau de commande à la page 71* pour plus d'informations sur l'emplacement de l'ampèremètre sur votre produit.

1. Faites démarrer le produit. Reportez-vous à *Démarrage du produit à la page 84*.
2. Attendez que l'ampèremètre soit en position de ralenti.
3. Arrêtez le produit. Reportez-vous à *Arrêt du produit à la page 87*.

Bouton d'arrêt d'urgence

Le bouton d'arrêt d'urgence permet d'arrêter rapidement les moteurs.

Contrôle du bouton d'arrêt d'urgence

Reportez-vous à *Panneau de commande à la page 71* pour connaître l'emplacement du bouton d'arrêt d'urgence sur votre produit.

1. Tournez le bouton d'arrêt d'urgence dans le sens des aiguilles d'une montre pour vous assurer qu'il est désengagé.
2. Faites démarrer le produit. Reportez-vous à *Démarrage du produit à la page 84*.

3. Appuyez sur le bouton d'arrêt d'urgence.
4. Assurez-vous que le moteur s'arrête.
5. Tournez le bouton d'arrêt d'urgence dans le sens des aiguilles d'une montre pour le désengager.

Contrôle de présence de l'opérateur (OPC)

Lorsque l'OPC est engagé, le moteur s'arrête. Reportez-vous à la section *Pour vérifier le contrôle de présence de l'opérateur (OPC) à la page 79*.

Pour vérifier le contrôle de présence de l'opérateur (OPC)

1. Faites démarrer le produit. Reportez-vous à *Démarrage du produit à la page 84*.
2. Retirez la clé OPC. Si le moteur ne s'arrête pas dans les 3 secondes, contactez un atelier spécialisé Husqvarna agréé.

Instructions de sécurité pour l'entretien



AVERTISSEMENT: lisez les instructions qui suivent avant d'utiliser le produit.

- Effectuez uniquement les tâches d'entretien décrites dans le présent manuel d'utilisation. Laissez un atelier spécialisé agréé se charger de toutes les autres opérations d'entretien.
- Si l'entretien n'est pas effectué correctement et régulièrement, le risque de blessures et d'endommagement du produit augmente.
- Nettoyez le produit afin de retirer tout matériau dangereux avant de faire l'entretien.
- Effectuez l'entretien du produit sur un sol de niveau et stable. Assurez-vous que le produit ne peut pas bouger.
- Ne modifiez pas le produit. Les modifications apportées au produit qui ne sont pas approuvées par le fabricant peuvent causer des blessures graves, voire mortelles.
- Remplacez les pièces endommagées, usées ou cassées.
- N'utilisez pas de nettoyeur haute pression pour nettoyer le produit.
- Utilisez uniquement des chiffons non pelucheux.
- Utilisez toujours les accessoires et les pièces de rechange d'origine. Les accessoires et les pièces de rechange qui ne sont pas approuvés par le fabricant peuvent causer des blessures graves, voire mortelles.
- Après l'entretien, contrôlez le niveau de vibrations dans le produit. S'il n'est pas correct, contactez un atelier spécialisé agréé.
- Demandez à un atelier spécialisé d'effectuer régulièrement l'entretien du produit.

Utilisation

Introduction



AVERTISSEMENT: Avant d'utiliser le produit, vous devez lire et comprendre le chapitre sur la sécurité.

À faire avant d'utiliser le produit

1. Lisez attentivement le manuel d'utilisation et assurez-vous de bien comprendre les instructions.
2. Lisez attentivement la section du manuel d'utilisation correspondant à l'aspirateur et assurez-vous de bien comprendre les instructions.
3. Si le produit est utilisé avec une source d'alimentation, assurez-vous de lire et de comprendre le manuel d'utilisation de cette source d'alimentation.
4. utilisez un équipement de protection individuelle. Reportez-vous à *Équipement de protection individuel* à la page 75.
5. Assurez-vous que seules les personnes autorisées se trouvent dans la zone de travail.
6. Effectuez l'entretien quotidien. Reportez-vous à *Calendrier d'entretien* à la page 88.
7. Assurez-vous que le produit est correctement monté et qu'il n'est pas endommagé.
8. Vérifiez que tous les boulons, vis et écrous sont serrés.
9. Assurez-vous que les palettes de roue de grenailage, la goulotte d'alimentation et les joints ne sont pas endommagés ou usés. Remplacez les pièces lorsque 75 % de l'épaisseur du disque est usée.
10. Assurez-vous que le séparateur n'est pas endommagé.
11. Assurez-vous que le séparateur est rempli de matériau abrasif jusqu'au niveau du bac de séparation.
12. Assurez-vous que les joints d'ensemble de brosses sont installés à la bonne hauteur. Reportez-vous à *Réglage de la hauteur correcte des joints d'ensemble de brosses* à la page 81.
13. Placez le produit sur la zone de travail. Assurez-vous que la surface est de niveau. Assurez-vous que le transport du produit dans la zone de travail est effectué correctement et en toute sécurité. Reportez-vous à *Transport, entreposage et mise au rebut* à la page 96.
14. Installez les joints latéraux. Reportez-vous à *Installation des joints latéraux* à la page 81.
15. Raccordez un aspirateur au produit. Reportez-vous à *Raccordement d'un aspirateur* à la page 83.

16. Assurez-vous que l'interrupteur ON/OFF est en position OFF avant de brancher le produit à une source d'alimentation.

17. Branchez le produit à une source d'alimentation. Reportez-vous à *Branchement du produit à une source d'alimentation* à la page 84.

Vanne de matériau abrasif

La vanne de matériau abrasif contrôle le débit de matériau abrasif vers les palettes de roue de grenailage. Le réglage de la vanne de matériau abrasif est indiqué sur l'ampèremètre. Reportez-vous à *Ampèremètre* à la page 79.

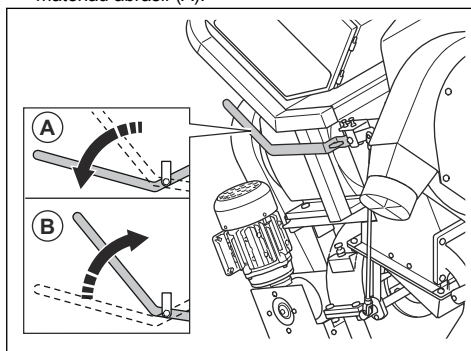
Vous pouvez régler la vanne de matériau abrasif à l'aide du levier de commande de matériau abrasif. Reportez-vous à *Vanne de matériau abrasif* à la page 80.

Actionnement de la vanne de matériau abrasif



REMARQUE: Ouvrez la vanne de matériau abrasif uniquement lorsque le moteur de grenailage est en marche.

1. Poussez le levier de commande de matériau abrasif pour fermer la vanne et interrompre le débit de matériau abrasif (A).

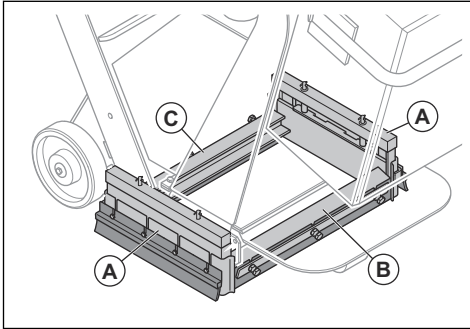


2. Tirez le levier de commande de matériau abrasif pour ouvrir la vanne et relancer le débit de matériau abrasif (B).

Joint de matériau abrasif

Le joint de matériau abrasif est un système de joint avec 2 joints latéraux = (A), 1 joint avant (B) et 1 brosse arrière (C). Le joint de matériau abrasif permet de s'assurer que le matériau abrasif reste dans le produit pendant le fonctionnement. Reportez-vous à *Installation des joints latéraux* à la page 81 pour plus d'informations sur les joints latéraux. Reportez-vous à

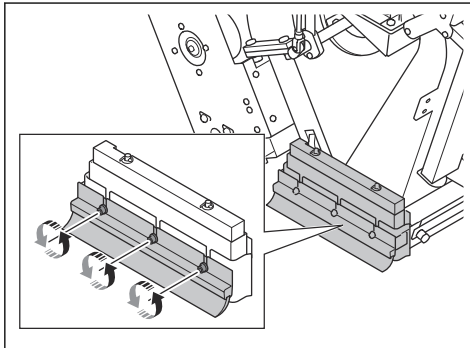
Remplacement des joints en caoutchouc avant à la page 93 pour plus d'informations sur le joint avant.



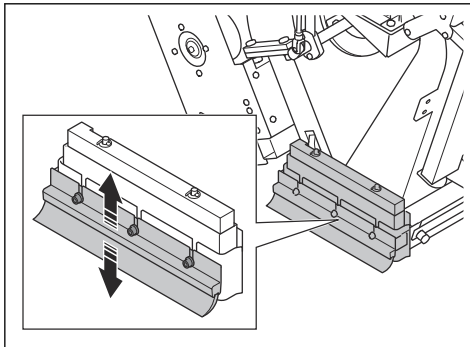
Réglage de la hauteur correcte des joints d'ensemble de brosses

Les joints d'ensemble de brosses s'usent lorsque vous utilisez le produit. Il est nécessaire de régler la hauteur des joints d'ensemble de brosses à intervalles réguliers.

1. Desserrez les 3 vis.



2. Ajustez la hauteur des joints d'ensemble de brosses jusqu'à ce qu'ils se trouvent à 1 mm/0,04 po au-dessus de la surface.



3. Serrez les 3 vis.

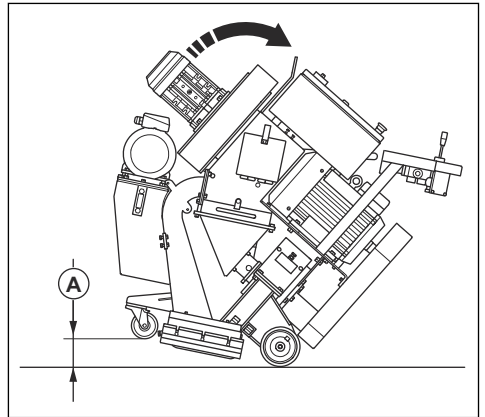
Installation des joints latéraux



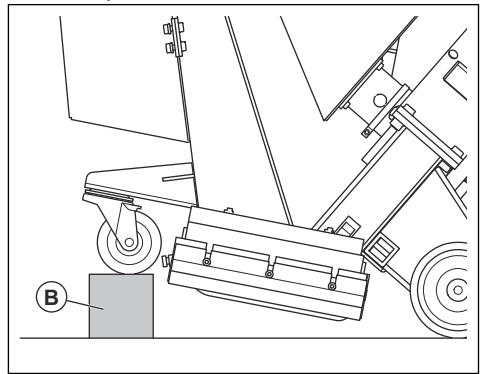
AVERTISSEMENT: au moins 2 personnes sont nécessaires pour cette procédure. Une personne installe les joints latéraux et l'autre s'assure que le produit reste en place.

Le système de joints latéraux se compose de 2 joints latéraux en métal, 2 joints latéraux en caoutchouc et 2 brosses latérales. Les joints latéraux en métal sortent du système de joints latéraux lorsque vous soulevez le produit de la surface. Installez les joints latéraux avant d'utiliser le produit.

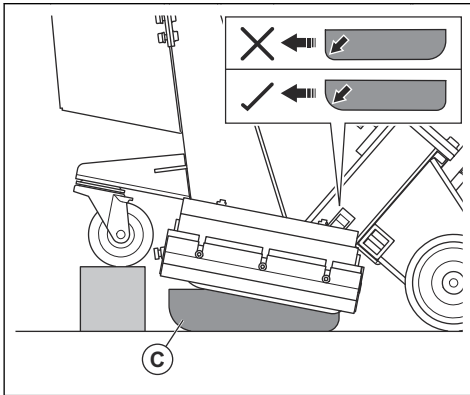
1. Stationnez le produit sur une surface plane.
2. Arrêtez le produit et laissez-le refroidir.
3. Une personne incline le produit vers l'arrière jusqu'à ce que la distance (A) soit de 120 mm/4,7 po.



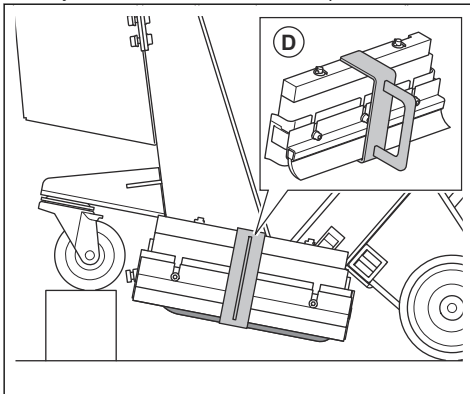
4. La deuxième personne place un morceau de bois (B) sous la roue avant. Les dimensions du morceau de bois doivent être de 100×100×300 mm / 4×4×12 po.



5. Pendant qu'une personne suit le processus, la deuxième installe les joints latéraux dans les boîtiers de joints latéraux :
- a) Placez le joint latéral (C) dans le boîtier de joint latéral sur un côté du produit. Assurez-vous que la partie arrondie du joint latéral est orientée vers l'avant du produit.



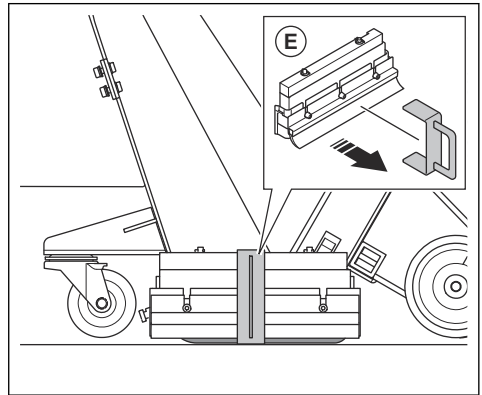
- b) Placez le support de joint latéral (D) autour du boîtier de joint latéral pour vous assurer que le joint latéral reste dans la bonne position.



- c) Installez le joint latéral sur le côté opposé du produit.

6. Pendant que l'une des personnes soulève légèrement le produit, l'autre personne retire le morceau de bois.
7. La personne qui soulève le produit l'abaisse lentement sur le sol.

8. La deuxième personne retire les supports de joints latéraux des deux côtés du produit (E).

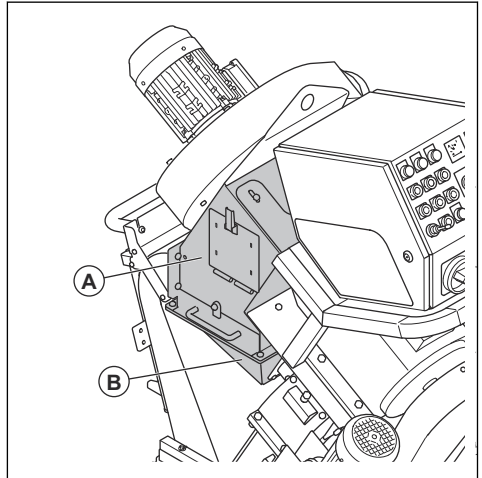


Matériau abrasif

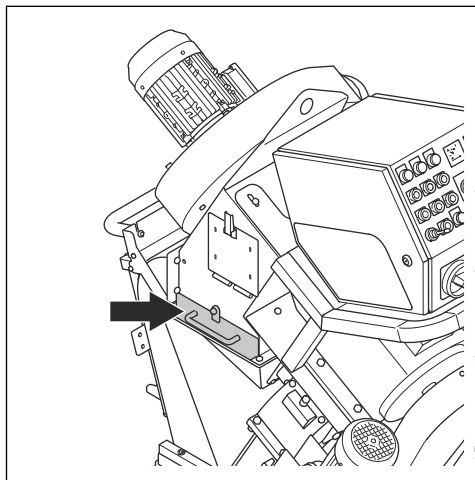
Contactez votre revendeur Husqvarna pour choisir le matériau abrasif adapté à la surface que vous devez traiter. Reportez-vous à *Matériau abrasif approuvé à la page 102*.

Séparateur

Le séparateur (A) maintient le matériau abrasif et alimente les palettes de roue de grenailage en matériau abrasif via la trémie (B).



Le bac de séparation empêche la contamination du matériau abrasif et des palettes de roue de grenailage.

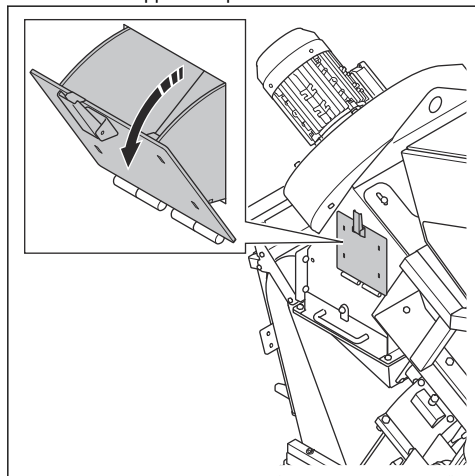


Remplissage du produit avec du matériau abrasif

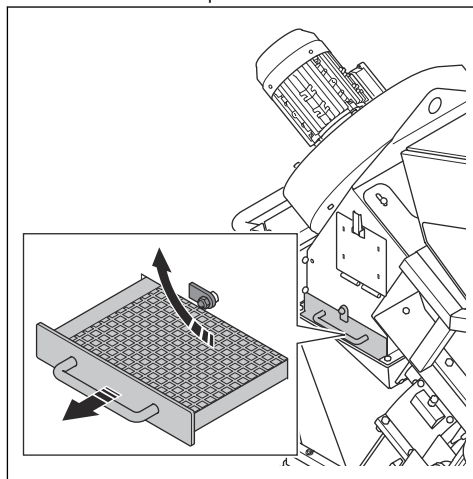


AVERTISSEMENT: Utilisez toujours un équipement de protection individuel lorsque vous remplissez le produit de matériau abrasif. Reportez-vous à *Équipement de protection individuel à la page 75.*

1. Assurez-vous que la vanne de matériau abrasif est fermée. Reportez-vous à *Actionnement de la vanne de matériau abrasif à la page 80.*
2. Ouvrez la trappe de séparation.



3. Ouvrez le bac de séparation et éliminez tous les contaminants lorsque vous remplissez le produit de matériau abrasif ou quand cela est nécessaire.



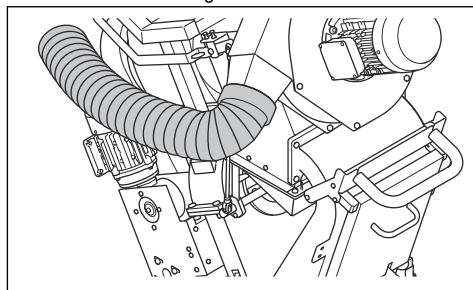
4. Remplissez le séparateur de matériau abrasif jusqu'au niveau du bac de séparation. Remplissez le séparateur de matériau abrasif quand cela est nécessaire.

Raccordement d'un aspirateur



AVERTISSEMENT: N'utilisez pas l'aspirateur si son tuyau est endommagé. L'utilisation d'un tuyau endommagé accroît le risque d'inhalation de poussière nocive pour votre santé. Portez une protection respiratoire homologuée.

1. Vérifiez que le tuyau de l'aspirateur n'est pas endommagé.
2. Assurez-vous que les filtres de l'aspirateur sont en bon état et propres.
3. Branchez fermement le tuyau au raccord de l'aspirateur. Branchez le tuyau de l'aspirateur avec des colliers de serrage et du ruban adhésif industriel.



Branchement du produit à une source d'alimentation

1. Branchez la fiche d'alimentation du produit à une prise secteur mise à la terre ou à une autre source d'alimentation.
2. Assurez-vous que la tension secteur est conforme aux valeurs indiquées sur la plaque signalétique du produit.

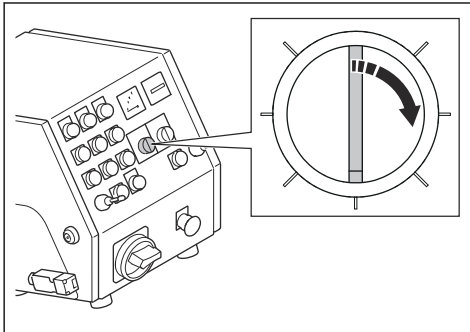
Vérification du sens de rotation du ventilateur

1. Faites démarrer le produit. Reportez-vous à *Démarrage du produit à la page 84*.
2. Au bout de quelques secondes, arrêtez le produit. Reportez-vous à *Arrêt du produit à la page 87*.
3. Assurez-vous que le sens de rotation du ventilateur est correct. Le sens correct est indiqué par une flèche sur le couvercle du ventilateur.
4. Si le ventilateur n'a pas le bon sens de rotation, modifiez la séquence de phases de l'alimentation électrique.

Sélection de la vitesse appropriée

Pour un résultat optimal, il est important d'utiliser le produit à la vitesse appropriée. Si la qualité de la surface est inégale, réglez la vitesse pour obtenir un résultat uniforme. Examinez le résultat et ajustez la vitesse, si nécessaire.

- Tournez la commande de vitesse dans le sens des aiguilles d'une montre pour augmenter la vitesse.

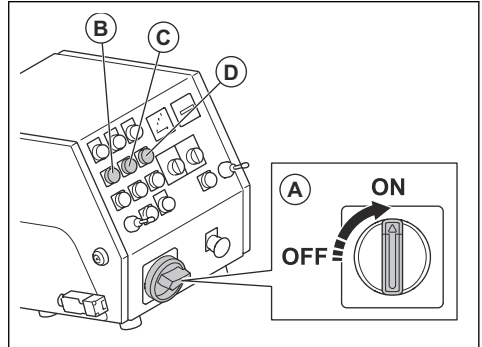


- Tournez la commande de vitesse dans le sens contraire des aiguilles d'une montre pour diminuer la vitesse.

Démarrage du produit

1. Branchez le produit à une alimentation électrique. Reportez-vous à *Branchement du produit à une source d'alimentation à la page 84*.
2. Branchez le tuyau de l'aspirateur sur le produit. Reportez-vous à *Raccordement d'un aspirateur à la page 83*.

3. Mettez l'aspirateur en marche. Reportez-vous au manuel d'utilisation de l'aspirateur.
4. Placez le cordon du contrôle de présence de l'opérateur autour de votre poignet gauche.
5. Tournez le bouton d'arrêt d'urgence dans le sens des aiguilles d'une montre pour le désengager.
6. Placez l'interrupteur ON/OFF en position ON (A).



7. Démarrez les moteurs d'entraînement (B) et le ventilateur (C).
8. Vérifiez le sens de rotation du ventilateur. Reportez-vous à *Vérification du sens de rotation du ventilateur à la page 84*.
9. Démarrez le moteur de grenailage (D).

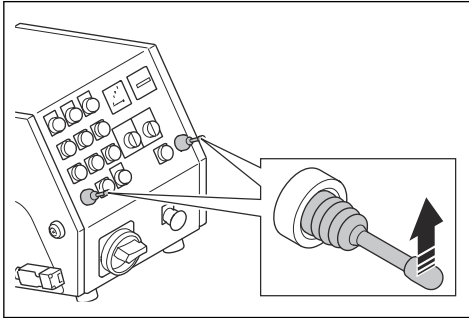
Utilisation du produit



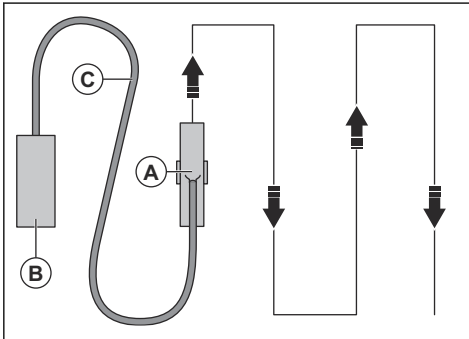
AVERTISSEMENT: Évitez de soulever ou d'incliner le produit pendant le fonctionnement. Le matériau abrasif est expulsé du produit à grande vitesse et peut provoquer des blessures.

1. Assurez-vous que la zone de travail est sécurisée. Reportez-vous à *Sécurité dans la zone de travail à la page 75*.
2. Remplissez le séparateur de matériau abrasif. Reportez-vous à *Remplissage du produit avec du matériau abrasif à la page 83*.
3. Faites démarrer le produit. Reportez-vous à *Démarrage du produit à la page 84*.
4. Tournez le bouton de commande de vitesse jusqu'à la vitesse la plus basse.

5. Poussez les 2 leviers de commande vers l'avant pour faire fonctionner le produit en marche avant.



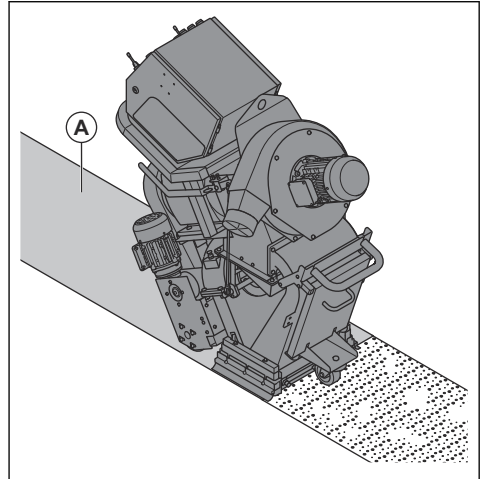
6. Appuyez sur le bouton STOP et maintenez-le enfoncé pour que le moteur d'entraînement gauche fasse tourner le produit vers la gauche. Appuyez sur le bouton STOP et maintenez-le enfoncé pour que le moteur d'entraînement droit fasse tourner le produit vers la droite.
7. Tirez le levier de commande du matériau abrasif pour ouvrir la vanne. Reportez-vous à *Actionnement de la vanne de matériau abrasif à la page 80*.
8. Après 2 m/7 pi, poussez le levier de commande du matériau abrasif pour fermer la vanne.
9. Arrêtez le produit.
10. Contrôlez le profil de grenailage. Réglez le profil de grenailage si nécessaire. Reportez-vous à *Réglage du profil de grenailage à la page 85*.
11. Sélectionnez la vitesse appropriée. Reportez-vous à *Sélection de la vitesse appropriée à la page 84*.
12. Déplacez le produit (A) sur des trajectoires parallèles. L'aspirateur (B) doit être raccordé au produit (A) à l'aide du tuyau de l'aspirateur (C).



13. Poussez le levier de commande gauche vers l'arrière pour faire tourner le produit à 360° vers la gauche.
14. Poussez le levier de commande droit vers l'arrière pour faire tourner le produit à 360° vers la droite.

Profil de grenailage

Le profil de grenailage (A) correspond à la surface qui a reçu le traitement.



Pour un bon résultat, la zone active doit se trouver au centre du profil de grenailage. Si la zone active est trop sur la gauche ou la droite, tournez la cage de contrôle. Reportez-vous à *Réglage du profil de grenailage à la page 85*.

Voici les conditions qui influent sur le profil de grenailage :

- Le sens de rotation des palettes de roue de grenailage est correct.
- Usure accrue des palettes de roue de grenailage, de la turbine et de la cage de contrôle.
- La taille du matériau abrasif. Il est nécessaire de régler le profil de grenailage lorsque vous utilisez un matériau abrasif de taille différente.
- Position de la vitre latérale dans la cage de contrôle.
- Différents types et dureté de surface.

Réglage du profil de grenailage

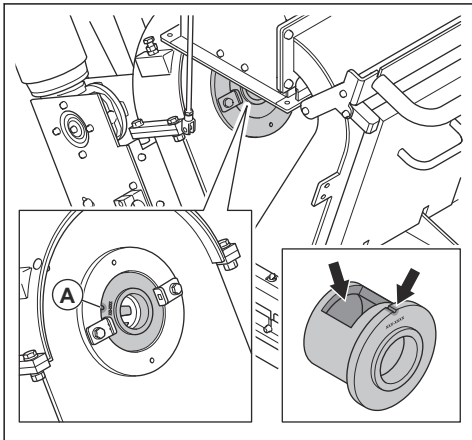


AVERTISSEMENT: Ne réglez pas, ne desserrez pas et ne touchez pas les colliers de la cage, la goulotte d'alimentation et les palettes de roue de grenailage lorsque le produit est en marche. Débranchez l'alimentation électrique lors du réglage du profil de grenailage.

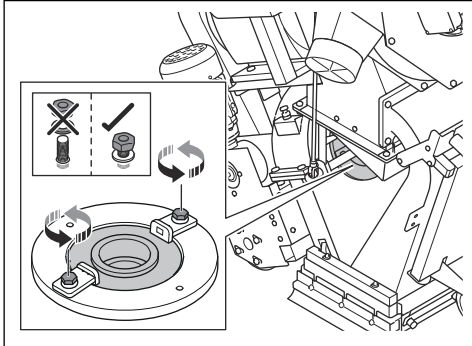


AVERTISSEMENT: Utilisez un équipement de protection individuel lorsque vous réglez le profil de grenailage. Reportez-vous à *Équipement de protection individuel à la page 75*.

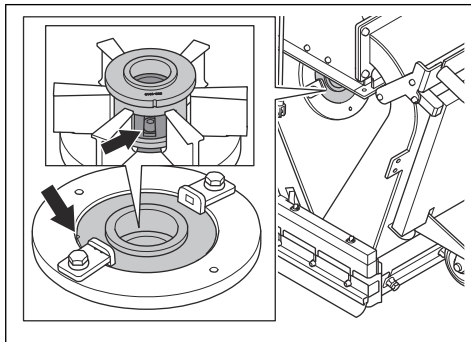
1. Ouvrez la trappe de séparation et vérifiez si la trémie contient du matériau abrasif. Si la trémie contient du matériau abrasif, videz-la. Reportez-vous à *Évacuation du matériau abrasif de la trémie à la page 89*.
2. Débranchez la fiche d'alimentation électrique.
3. Retirez la trémie. Reportez-vous à *Retrait et installation de la trémie à la page 89*.
4. Notez la position de la cage de contrôle. Utilisez la rainure de la cage de contrôle (A) comme guide.



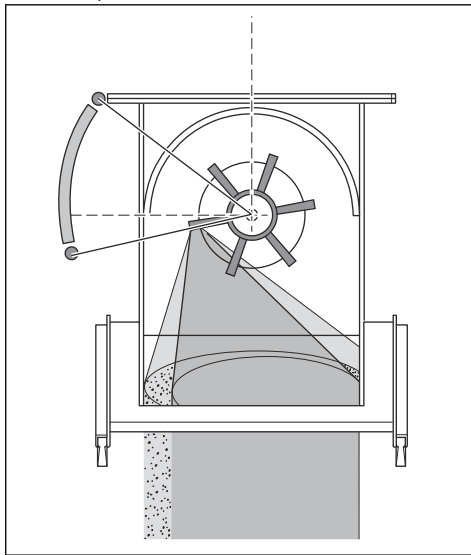
5. Desserrez les colliers de la cage.



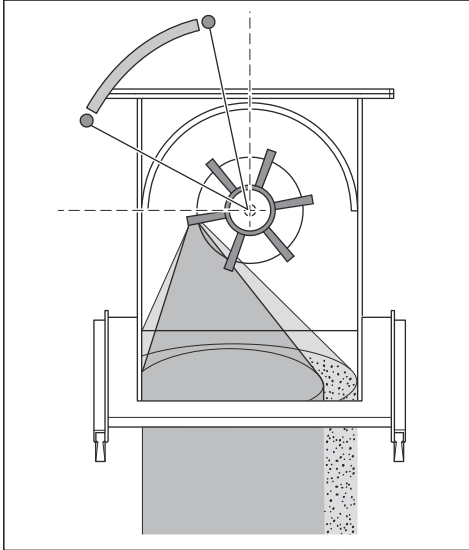
6. Examinez la position de la fenêtre de la cage de contrôle.



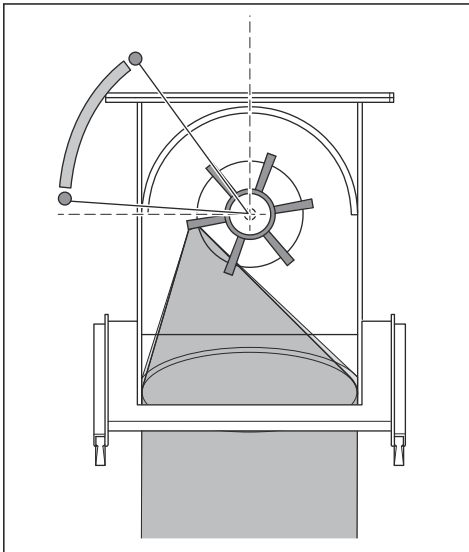
7. Tournez la cage de contrôle dans le sens des aiguilles d'une montre si les impacts de grenailage sont trop à droite.



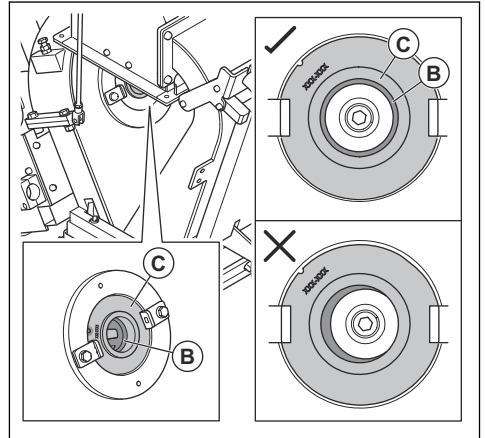
8. Tournez la cage de contrôle dans le sens contraire des aiguilles d'une montre si les impacts de grenailage sont trop à gauche.



9. Assurez-vous que la zone active est appliquée de manière égale sur la surface pour un réglage correct.



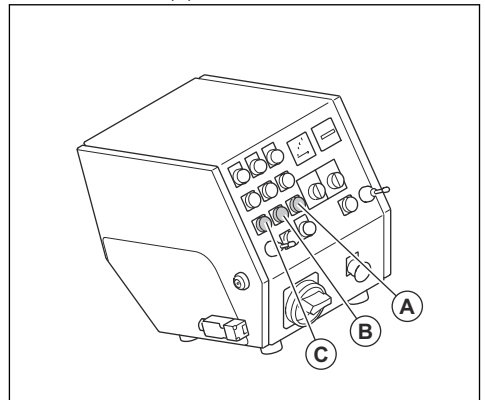
10. Assurez-vous que la turbine (B) et la cage de contrôle (C) sont correctement installées l'une par rapport à l'autre.



11. Serrez les colliers de la cage.
 12. Faites tourner la turbine et la roue de grenailage avec les mains. Vérifiez l'absence de bruits anormaux.
 13. Installez la trémie. Reportez-vous à *Retrait et installation de la trémie à la page 89.*

Arrêt du produit

1. Fermez la vanne de matériau abrasif. Reportez-vous à *Actionnement de la vanne de matériau abrasif à la page 80.*
 2. Appuyez sur le bouton STOP du moteur de grenailage (A), du ventilateur (B) et du moteur d'entraînement (C).



3. Tournez l'interrupteur ON/OFF en position OFF.
 4. Débranchez la fiche d'alimentation de l'alimentation électrique.

5. Arrêtez l'aspirateur. Reportez-vous au manuel d'utilisation de l'aspirateur.

Entretien

Introduction



AVERTISSEMENT: avant d'effectuer des travaux d'entretien, vous devez lire et comprendre le chapitre sur la sécurité.



AVERTISSEMENT: utilisez un équipement de protection individuel lors de l'entretien. Reportez-vous à *Équipement de protection individuel* à la page 75.



AVERTISSEMENT: avant d'effectuer l'entretien, arrêtez les moteurs et débranchez la fiche d'alimentation de la source d'alimentation. Vérifiez que tous les entraînements s'arrêtent.

Une formation spécifique est nécessaire pour effectuer tous les travaux d'entretien et de réparation du produit.

Nous garantissons qu'il vous est possible d'obtenir des services de réparation et d'entretien effectués par des professionnels. Si votre revendeur n'est pas un atelier spécialisé, demandez-lui des informations à propos de l'atelier spécialisé le plus proche.

Pour des informations plus détaillées, reportez-vous à www.husqvarnaconstruction.com.

Calendrier d'entretien

* = Entretien général effectué par l'opérateur. Les instructions ne sont pas mentionnées dans ce manuel d'utilisation.

X = Les instructions sont mentionnées dans ce manuel d'utilisation.

O = Les instructions ne sont pas mentionnées dans ce manuel d'utilisation. Faites réaliser l'entretien par un agent d'entretien agréé.

Entretien général du produit	Toutes les 3 h	Tous les jours	12 h après l'entretien	Tous les 3 mois	Une fois par an
Videz l'aspirateur.	*				
Vérifiez le séparateur et le bac de séparation.	X				
Assurez-vous que la fiche d'alimentation et le câble de rallonge sont en bon état et non endommagés.		*			
Vérifiez que les composants électriques, les câbles et les raccords ne sont pas usés ou endommagés.		*			
Vérifiez le disjoncteur différentiel de fuite à la terre (RCD).		*			
Vérifiez que les moteurs ne présentent ni dommages ni salissures.		*			
Assurez-vous que le tuyau de l'aspirateur n'est pas endommagé ou obstrué.		*			
Vérifiez l'usure de la cage de contrôle et des palettes de roue de grenailage. Reportez-vous à <i>À faire avant d'utiliser le produit</i> à la page 80.		X			

Entretien général du produit	Toutes les 3 h	Tous les jours	12 h après l'entretien	Tous les 3 mois	Une fois par an
Nettoyez le produit.		X			
Contrôlez les dispositifs de sécurité.		X			
Vérifiez l'usure des joints d'ensemble de brosses et des joints en caoutchouc avant.		*			
Assurez-vous que les écrous et les vis sont serrés.			*		
Contrôlez la tension de la courroie trapézoïdale.				X	
Effectuez un entretien et un nettoyage complets du produit.					O

Nettoyage du produit

- Nettoyez toujours tout l'équipement après utilisation. Utilisez un aspirateur.
- N'utilisez pas de nettoyeur haute pression pour nettoyer le produit.
- Maintenez les ouvertures d'air propres et dégagées pour garantir que le produit est toujours suffisamment frais.

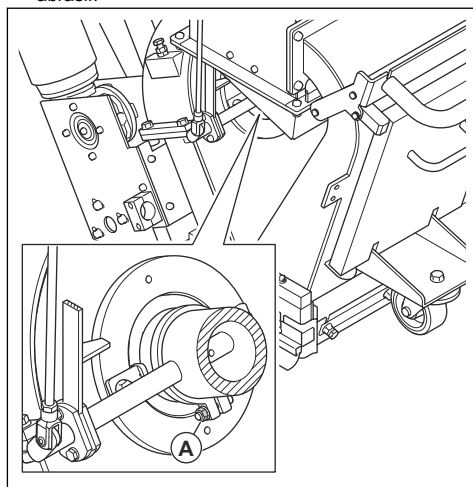
Évacuation du matériau abrasif de la trémie

1. Faites démarrer le produit. Reportez-vous à *Démarrage du produit à la page 84*.
2. Appuyez sur le bouton ON du moteur de grenailage.
3. Appuyez sur le bouton OFF du moteur de grenailage lorsque celui-ci est à 75 % de la vitesse maximale. Dans le même temps, ouvrez la vanne de matériau abrasif. Reportez-vous à *Actionnement de la vanne de matériau abrasif à la page 80*.
4. Au bout de 3 secondes, fermez la vanne de matériau abrasif.
5. Faites fonctionner le produit en marche arrière sur 50 cm.
6. Ouvrez la trappe de séparation et vérifiez s'il reste du matériau abrasif. S'il reste du matériau abrasif dans la trémie, répétez la procédure jusqu'à ce que la trémie soit vide.

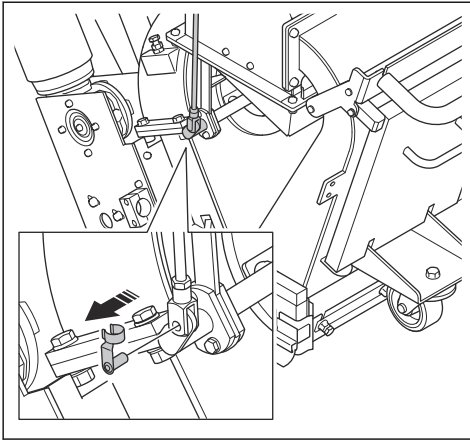
Retrait et installation de la trémie

1. Ouvrez la trappe de séparation et vérifiez si la trémie contient du matériau abrasif. Si la trémie contient du matériau abrasif, videz-la. Reportez-vous à *Évacuation du matériau abrasif de la trémie à la page 89*.
2. Débranchez la fiche d'alimentation électrique.

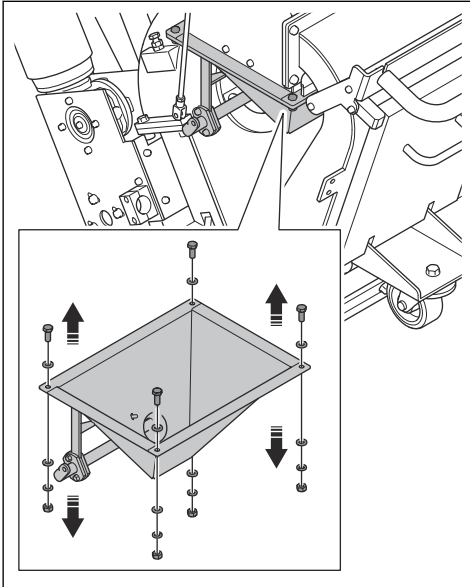
3. Desserrez le collier (A) de la vanne de matériau abrasif.



4. Desserrez le levier de la vanne de matériau abrasif.



5. Retirez les 4 vis, les 8 rondelles, les 4 écrous et la trémie.



6. Installez la trémie en suivant les étapes dans l'ordre inverse.

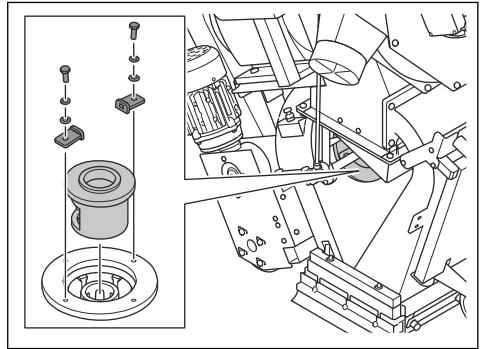
Retrait de la turbine

1. Ouvrez la trappe de séparation et vérifiez si la trémie contient du matériau abrasif. Si la trémie contient du matériau abrasif, videz-la. Reportez-vous à *Évacuation du matériau abrasif de la trémie à la page 89*.

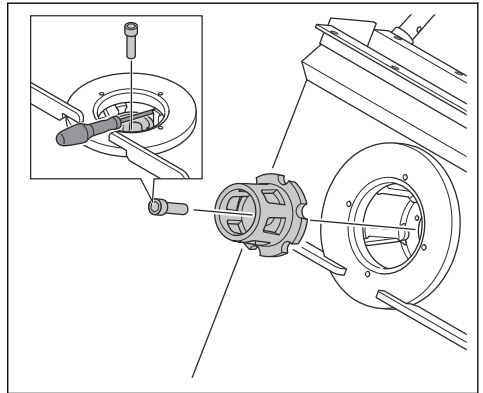
2. Débranchez la fiche d'alimentation électrique.

3. Retirez la trémie. Reportez-vous à *Retrait et installation de la trémie à la page 89*.

4. Retirez les 2 vis, les 4 rondelles, les 2 colliers de la cage et la cage de contrôle.



5. Placez un outil adapté dans les palettes de roue de grenailage pour empêcher toute rotation. Retirez le boulon et mettez-le au rebut.

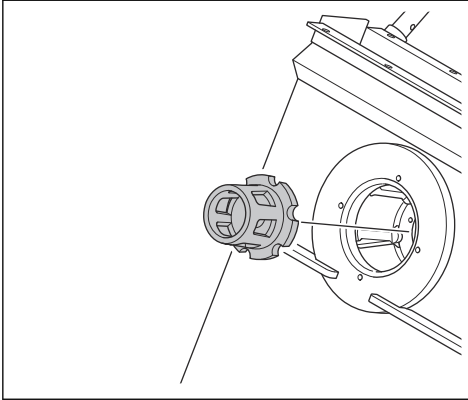


6. Retirez la turbine.

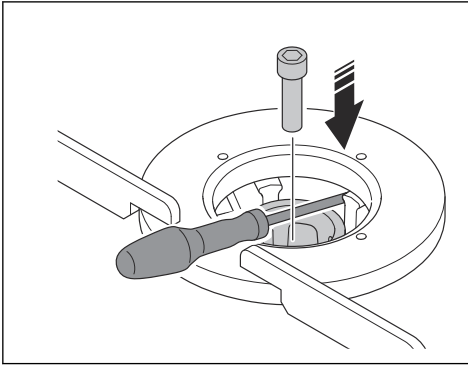
Installation de la turbine

1. Nettoyez les filetages de trou de vis pour le boulon de la turbine avec de l'air comprimé.

2. Installez la turbine.



3. Bloquez les palettes de roue de grenailage à l'aide d'un outil approprié et installez le boulon de la turbine.

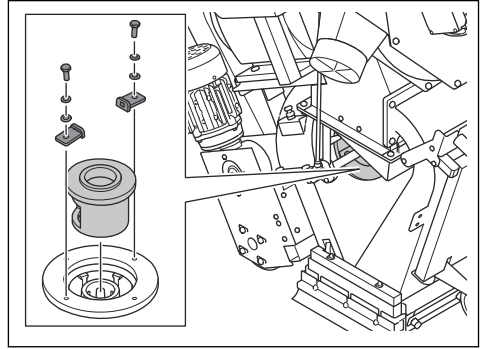


REMARQUE: Utilisez toujours un boulon neuf.



REMARQUE: En cas de résistance inhabituelle lors de l'installation du boulon, nettoyez les filetages de trou de vis. Ne forcez pas pour installer le boulon. Cela pourrait endommager les filetages.

4. Installez les 2 vis, les 4 rondelles, les 2 colliers de la cage et la cage de contrôle.



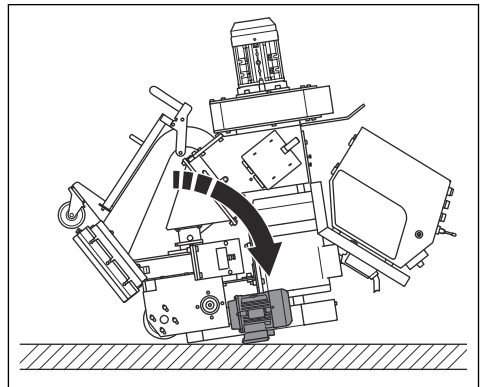
5. Installez la trémie. Reportez-vous à *Retrait et installation de la trémie à la page 89*.

Retrait des palettes de roue de grenailage



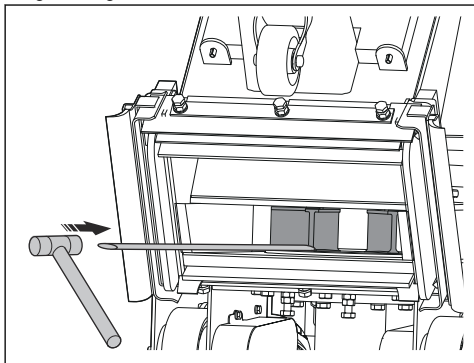
REMARQUE: Pour éviter tout déséquilibre dans la roue de grenailage, il est nécessaire de remplacer les 6 palettes de roue de grenailage en même temps.

1. Retirez la trémie. Reportez-vous à *Retrait de la turbine à la page 90*.
2. Retirez la cage de contrôle et la turbine. Reportez-vous à *Retrait de la turbine à la page 90*.
3. Soulevez la partie avant du produit et inclinez-le vers l'arrière.



AVERTISSEMENT: Assurez-vous que le produit ne s'incline pas vers l'avant.

- À l'aide d'une cheville d'assemblage en laiton et d'un marteau, extrayez les palettes de roue de grenailage.



REMARQUE: Appuyez sur la partie inférieure des palettes de roue de grenailage. Il existe un risque de rupture des palettes de roue de grenailage.

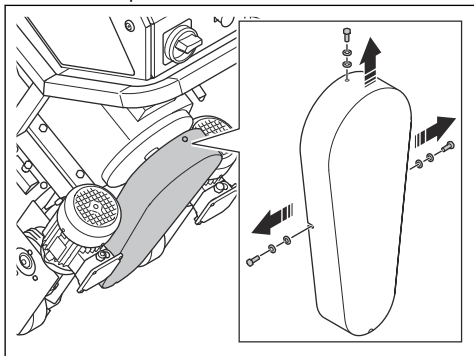
- Nettoyez entièrement la roue de grenailage pour vous assurer que les palettes et la turbine s'installent correctement et pour éviter tout déséquilibre de la roue de grenailage.
- Remplacez toutes les palettes et installez la machine en suivant les étapes dans l'ordre inverse.

Contrôle de la tension de la courroie trapézoïdale

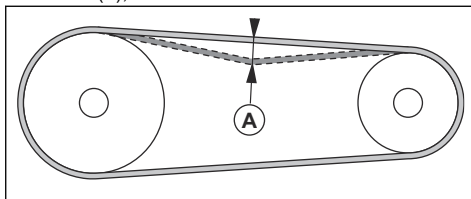


AVERTISSEMENT: n'utilisez pas le produit si le couvercle de la courroie trapézoïdale n'est pas installé.

- Arrêtez le produit. Reportez-vous à *Arrêt du produit à la page 87*.
- Retirez les 3 vis, les 6 rondelles et le couvercle de la courroie trapézoïdale.



- Vérifiez l'absence de dommages et de défauts au niveau de la courroie trapézoïdale.
- Poussez la courroie trapézoïdale avec le pouce pour vérifier la tension. Si vous pouvez pousser les courroies trapézoïdales sur une distance de 10 à 15 mm (A), la tension est correcte.



- Réglez la tension de la courroie trapézoïdale si nécessaire. Desserrez les 4 boulons du moteur et placez des bandes sous le pied du moteur.
- Remplacez la courroie trapézoïdale si nécessaire. Reportez-vous à *Remplacement de la courroie trapézoïdale à la page 92*.
- Installez le couvercle de la courroie trapézoïdale.

Remplacement de la courroie trapézoïdale

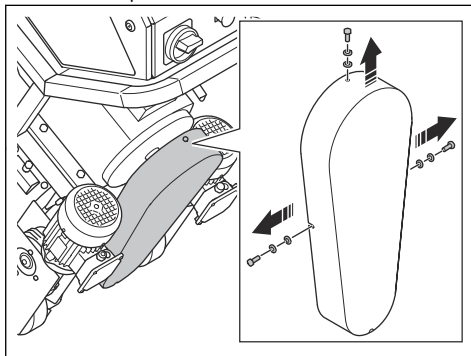


AVERTISSEMENT: Ne retirez le couvercle de la courroie trapézoïdale que lorsque l'alimentation électrique est débranchée et que les moteurs sont complètement arrêtés.

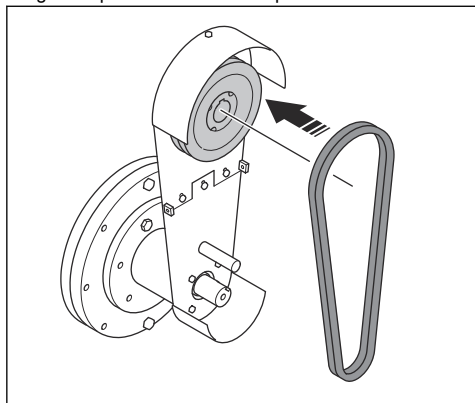


AVERTISSEMENT: n'utilisez pas le produit si le couvercle de la courroie trapézoïdale n'est pas installé.

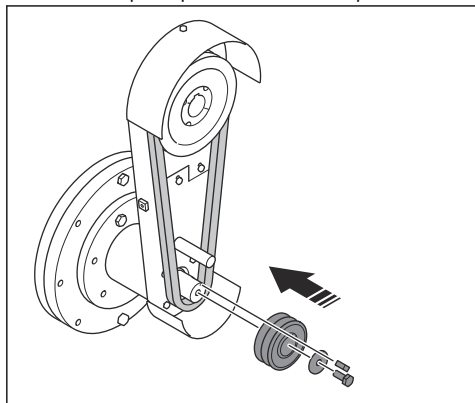
- Arrêtez le produit. Reportez-vous à *Contrôle de la tension de la courroie trapézoïdale à la page 92*.
- Débranchez l'alimentation électrique.
- Retirez les 3 vis, les 6 rondelles et le couvercle de la courroie trapézoïdale.



4. Desserrez les 4 boulons du moteur et retirez les bandes si nécessaire.
5. Retirez la petite poulie de courroie trapézoïdale et la courroie trapézoïdale.
6. Placez la nouvelle courroie trapézoïdale sur la grande poulie de courroie trapézoïdale.

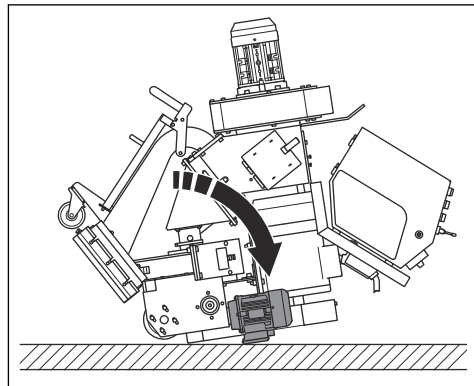


7. Placez la nouvelle courroie trapézoïdale autour de la petite poulie de courroie trapézoïdale.
8. Installez la petite poulie de courroie trapézoïdale.



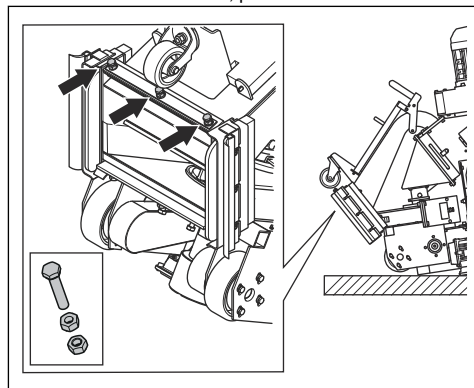
Remplacement des joints en caoutchouc avant

1. Soulevez la partie avant du produit et inclinez-le vers l'arrière.

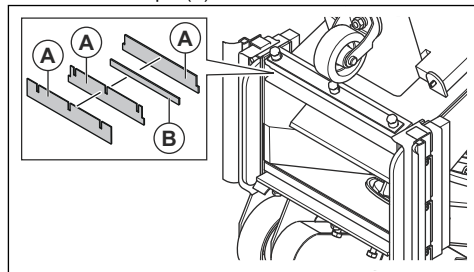


AVERTISSEMENT: Assurez-vous que le produit ne s'incline pas vers l'avant.

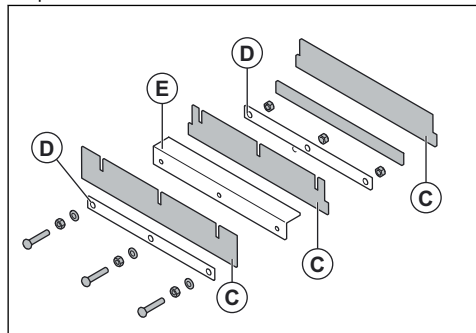
2. Desserrez les 6 écrous, puis les 3 boulons.



3. Retirez les 3 joints en caoutchouc avant (A) et la bande métallique (B).



4. Installez les nouveaux joints en caoutchouc avant (C) avec les bandes en acier (D) entre eux. La bande d'angle (E) fait partie du corps et ne peut pas se détacher.



5. Installez les 3 boulons ; serrez d'abord les écrous intérieurs, puis les écrous extérieurs.
6. Placez la roue avant sur la surface.

Recherche de pannes

Problème	Cause	Solution
Trop de vibrations et/ou de bruits inhabituels.	Les palettes de roue de grenailage sont usées ou endommagées.	Remplacez les pièces usées ou endommagées.
	La turbine est usée.	Remplacez la turbine.
	Les palettes de roue de grenailage et la cage de contrôle ne sont pas correctement alignées.	Vérifiez les palettes de roue de grenailage et la cage de contrôle.
	Des vis et des écrous sont desserrés.	Resserrez toutes les vis et tous les écrous.
	Le moteur de grenailage est endommagé.	Adressez-vous à un agent d'entretien Husqvarna agréé.
	Les roues sont endommagées.	Remplacez les roues.

Problème	Cause	Solution
Diminution ou absence de performances.	L'apport de matériau abrasif aux palettes de roue de grenailage est insuffisant.	Nettoyez le bac de séparation et remplissez le séparateur de matériau abrasif. Vérifiez la vanne de matériau abrasif et assurez-vous qu'il n'existe aucune obstruction.
	Le type de matériau abrasif n'est pas adapté à la surface.	Remplacez le matériau abrasif par un autre plus adapté à la surface.
	Le matériau abrasif est contaminé.	Vérifiez l'aspirateur et son tuyau.
	Les palettes de roue de grenailage ou la cage de contrôle sont usées ou endommagées.	Remplacez les palettes de roue de grenailage ou la cage de contrôle.
	Une quantité trop importante de matériau abrasif heurte la surface au début de l'opération.	Fermez la vanne de matériau abrasif et arrêtez le produit. Recommencez l'opération et ouvrez lentement la vanne de matériau abrasif.
	La cage de contrôle n'est pas installée correctement.	Réglez la cage de contrôle pour définir un meilleur profil de grenailage.
	La vitesse de fonctionnement du produit est trop élevée.	Réduisez la vitesse de fonctionnement.
Le matériau abrasif est expulsé du produit.	Les joints sont endommagés.	Vérifiez tous les joints et remplacez-les si nécessaire.
	La qualité du matériau abrasif n'est pas satisfaisante.	Pour davantage d'informations, contactez votre revendeur.
	Les palettes de roue de grenailage sont usées ou endommagées.	Remplacez les palettes de roue de grenailage.
Le matériau abrasif présente plus de contaminants que d'habitude.	La puissance d'aspiration de l'aspirateur n'est pas suffisante.	Vérifiez l'aspirateur et son tuyau.
	Le tuyau de l'aspirateur est obstrué ou endommagé.	Vérifiez le tuyau de l'aspirateur. Assurez-vous qu'il n'existe aucune obstruction. Remplacez le tuyau de l'aspirateur si nécessaire.
L'usure est plus importante que d'habitude sur certaines parties du boîtier.	Le type de matériau abrasif est incorrect.	Pour davantage d'informations, contactez votre revendeur.
	La cage de contrôle n'est pas installée correctement.	Réglez la cage de contrôle pour définir un meilleur profil de grenailage.
	La puissance d'aspiration de l'aspirateur n'est pas suffisante.	Vérifiez l'aspirateur et son tuyau.
Le produit ne se déplace pas.	La vitesse de fonctionnement est trop faible.	Augmentez la vitesse de fonctionnement.
	L'unité de commande est endommagée.	Remplacez l'unité de commande.
	Le bouton de commande de vitesse est endommagé.	Adressez-vous à un agent d'entretien Husqvarna agréé.
	Le fusible est endommagé.	
	Le circuit hydraulique ne fonctionne pas correctement.	
Le système de contrôle ne démarre pas.	Le disjoncteur du moteur est engagé.	Redémarrez le produit. Contrôlez l'alimentation électrique.

Problème	Cause	Solution
Le système de contrôle s'arrête pendant le fonctionnement.	Le câble d'alimentation électrique est endommagé.	Remplacez le câble.
	Le câble entre le produit et l'aspirateur est endommagé.	Remplacez le câble.
	Le disjoncteur du moteur est engagé.	Faites-le contrôler par un électricien agréé.
	L'aspirateur s'arrête en raison d'une surcharge.	Faites-le contrôler par un électricien agréé.

Transport, entreposage et mise au rebut

Transport



AVERTISSEMENT: soyez prudent lors du transport. Le produit est lourd et peut provoquer des blessures ou être endommagé en cas de chute ou de déplacement lors du transport.



REMARQUE: ne remorquez pas le produit derrière un véhicule.

- Débranchez le câble électrique et le tuyau de l'aspirateur avant le transport.
- Retirez le matériau abrasif avant le transport. Reportez-vous à *Évacuation du matériau abrasif de la trémie à la page 89*.
- Placez une protection sur le produit pendant le transport. La protection permet de faire en sorte que le produit n'entre pas en contact avec des éléments naturels, comme la pluie et la neige, pendant le transport.

Montée et descente du produit avec une rampe



AVERTISSEMENT: Soyez très prudent lorsque vous faites monter et descendre le produit sur des rampes. Le produit est lourd et il y a un risque de blessure si le produit tombe ou se déplace trop rapidement.



AVERTISSEMENT: Pour les rampes à pente raide, utilisez toujours un treuil. Ne marchez pas sur le produit et ne restez en dessous ou à proximité.

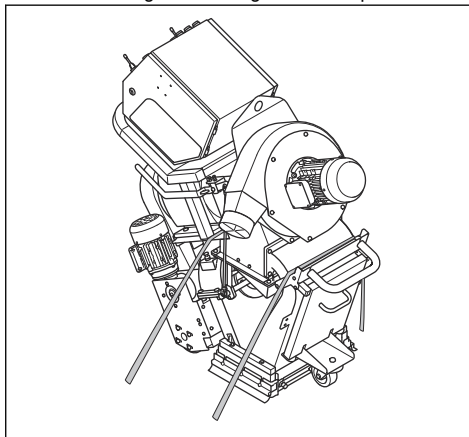
- Pour faire descendre le produit d'une rampe, déplacez-le lentement vers l'avant.

- Pour faire monter le produit sur une rampe, déplacez-le lentement vers l'arrière.
- Ne faites pas pivoter le produit vers la gauche ou vers la droite à plus de 45° sur une rampe.

Fixation du produit pour le transport

Fixez le produit lors du transport afin d'éviter tout accident et d'endommager l'équipement. Utilisez des sangles d'arrimage pour fixer le produit au véhicule de transport.

1. Placez le produit sur le véhicule de transport.
2. Fixez les sangles d'arrimage autour du produit.



3. Fixez les sangles d'arrimage sur le véhicule de transport et serrez-les.

Levage du produit



AVERTISSEMENT: assurez-vous que l'équipement de levage présente la bonne spécification afin de soulever le produit en toute sécurité. La plaque

signalétique sur le produit indique le poids du produit.

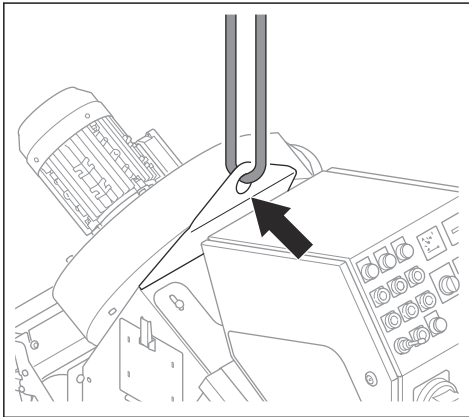


AVERTISSEMENT: ne marchez pas sur un produit soulevé et ne restez en dessous ou à proximité. Éloignez les personnes présentes de la zone de travail.



AVERTISSEMENT: ne soulevez pas un produit endommagé. Vérifiez que le boulon de levage est bien fixé et en bon état.

1. Fixez l'équipement de levage au niveau de l'anneau de levage.



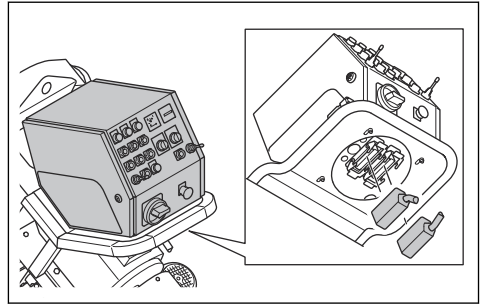
2. Soulevez le produit de manière sécurisée. Tenez la poignée jusqu'à ce que le produit soit soulevé du sol.

Démontage du produit

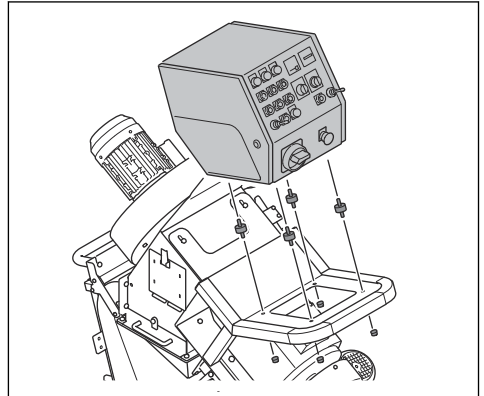
Il est possible de démonter le produit pour le faire passer par de petites ouvertures.

1. Ouvrez la trappe de séparation et vérifiez si la trémie contient du matériau abrasif. Si la trémie contient du matériau abrasif, videz-la. Reportez-vous à *Évacuation du matériau abrasif de la trémie* à la page 89.
2. Débranchez le produit de l'alimentation électrique.
3. Retirez le tuyau de l'aspirateur.
4. Coupez les serre-câbles retenant les câbles d'alimentation électrique.

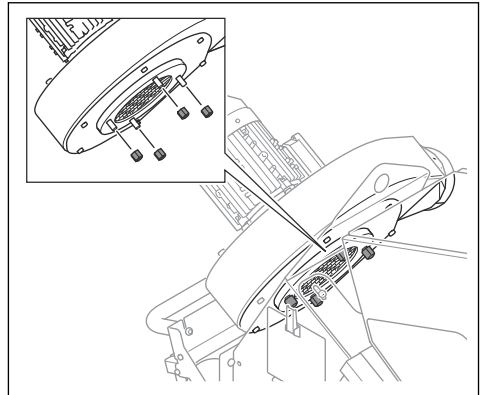
5. Débranchez les câbles du panneau de commande.



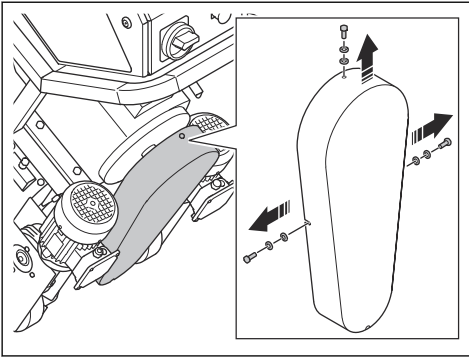
6. Retirez le panneau de commande.



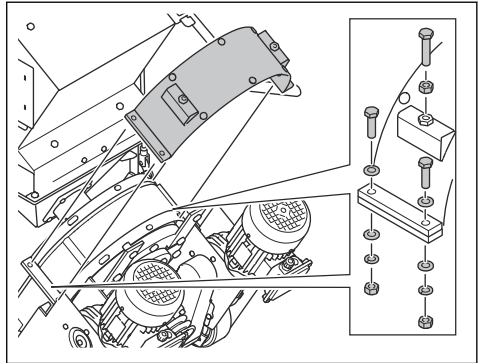
7. Retirez le boîtier du ventilateur.



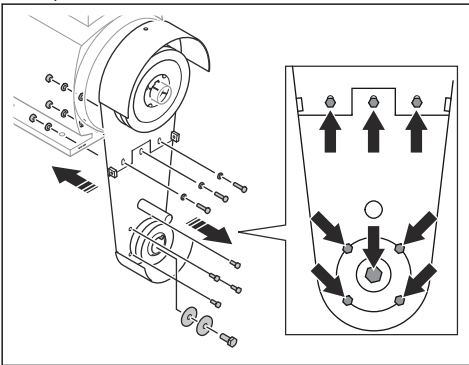
8. Retirez le couvercle de la courroie trapézoïdale.



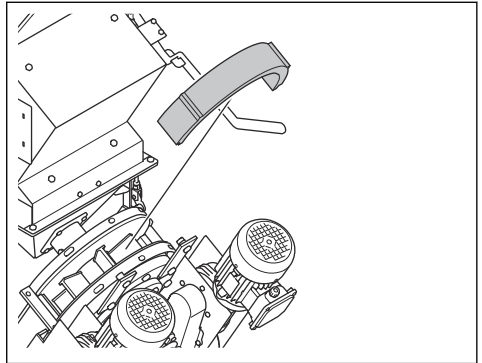
11. Retirez le couvercle du revêtement supérieur.



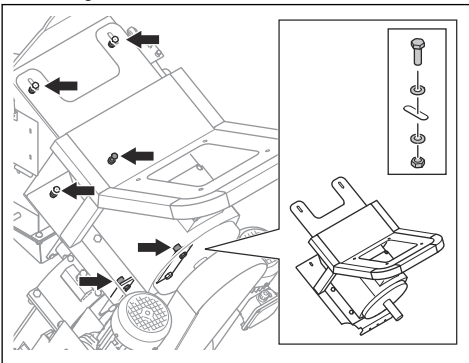
9. Retirez la plaque de montage de la courroie trapézoïdale.



12. Retirez le revêtement supérieur.

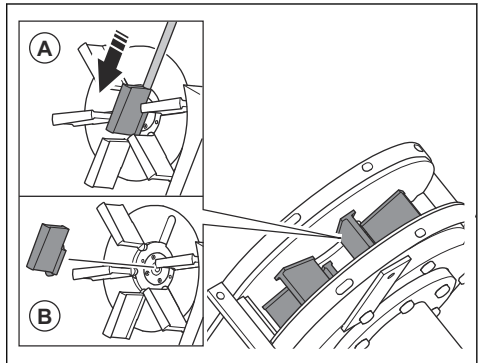


10. Retirez le moteur de grenailage et sa plaque de montage.



13. Retirez la turbine. Reportez-vous à *Retrait des palettes de roue de grenailage* à la page 91.

14. À l'aide d'une cheville d'assemblage en laiton et d'un marteau, enfoncez les palettes de roue de grenailage (A).



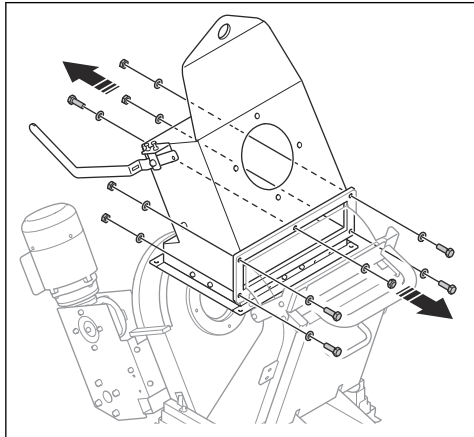
REMARQUE: Appuyez sur la partie inférieure des palettes de roue de grenailage. Il existe un risque de rupture des palettes de roue de grenailage.

15. Retirez les palettes de roue de grenailage (B) et mettez-les au rebut.

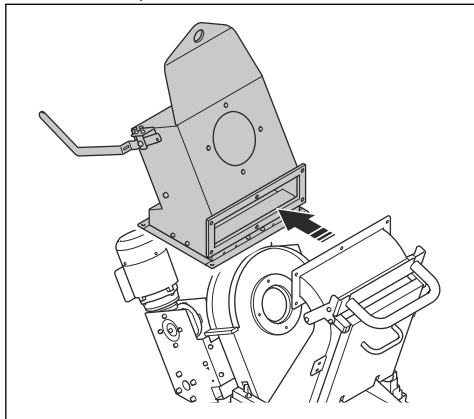


REMARQUE: Pour éviter tout déséquilibre dans la roue de grenailage, il est nécessaire de remplacer les 6 palettes de roue de grenailage en même temps.

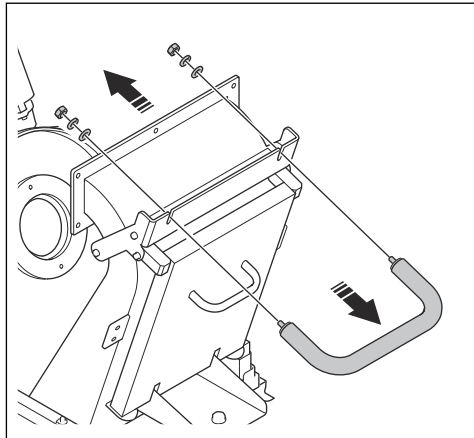
16. Retirez les vis retenant le séparateur.



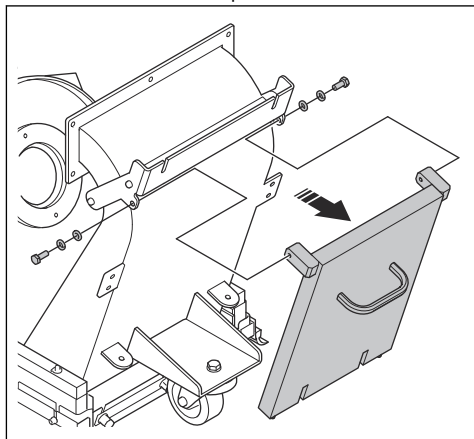
17. Retirez le séparateur.



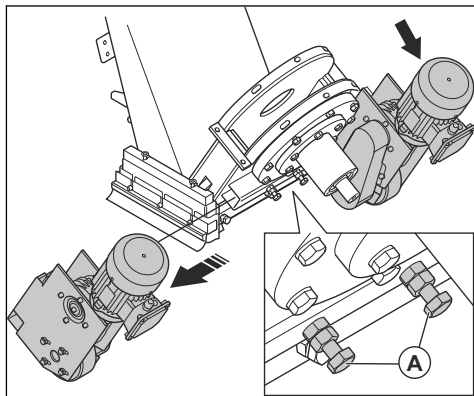
18. Retirez la poignée de protection.



19. Retirez le couvercle de protection.



20. Desserrez les 2 boulons (A) et retirez le système de roue motrice.



21. Montez le produit en suivant les étapes dans l'ordre inverse.

Remisage



REMARQUE: N'entreposez pas le produit à l'extérieur. Gardez toujours le produit à l'intérieur.

- Conservez le produit dans un endroit sec et à l'abri du gel.
- Nettoyez le produit et effectuez un entretien complet avant de remisage le produit.
- Conservez le produit dans un endroit verrouillé afin que des enfants ou personnes qui ne sont pas autorisées à l'utiliser ne puissent pas y avoir accès.
- Retirez le matériau abrasif du séparateur avant le remisage.

Mise au rebut du produit

- Respectez les consignes locales de recyclage et la réglementation en vigueur.
- Lorsque vous n'utilisez plus le produit, renvoyez-le au concessionnaire Husqvarna ou mettez-le au rebut dans une déchetterie.

Caractéristiques techniques

	EBE 350E - 50Hz	EBE 350E - 60Hz
Puissance nominale, W	11 324	15 380
Tension nominale, V	400	480/277
Fréquence nominale, Hz	50	60
Intensité nominale, A	25	24,4
Longueur du câble, m/pi	25/82	
Type de câble d'alimentation	4 × 6 mm ²	4 × AWG8
Largeur de fonctionnement, mm/po	350/13,7	
Pente de nettoyage minimale, deg/%	10/18	
Vitesse d'entraînement, m/min / pi/min	0-15/0-49	
Poids, kg	430/948	
Température de fonctionnement °C/°F	-5-40/23-104	
Diamètre du raccord du tuyau de l'aspirateur industriel, mm/po	130/5	
Aspirateur industriel	Contactez un atelier spécialisé Husqvarna pour plus d'informations.	

Remarque: si votre produit correspond à des spécifications électriques qui ne figurent pas dans le

tableau, contactez un atelier de réparation Husqvarna pour plus d'informations.

Vibrations et émissions sonores

Émissions sonores	
Niveau de puissance acoustique mesuré LWA dB (A). ¹	111
Niveau de pression sonore à l'oreille de l'utilisateur, LP dB(A) ²	94
Niveaux de vibrations	
Poignée principale, m/s ² ³	0,4
¹ Niveau de puissance acoustique déterminé selon la norme EN ISO 3747. Mesuré sur une surface en acier. Incertitude K _{WA} 2,5 dB ² Niveau de pression sonore déterminé selon la norme EN ISO 11202. Mesuré sur une surface en acier. Incertitude K _{PA} 3 dB ³ Accélération effective pondérée mesurée au niveau de la poignée conformément à la norme EN ISO 20643. Mesuré sur une surface en acier. Incertitude K 0,1 m/s ²	

Matériau abrasif approuvé

Matériau abrasif approuvé	Grenaille d'acier à haute teneur en carbone				Abrasif en acier à haute teneur en carbone	
	S-330	S-390	S-460	S-550*	SG25*	SG16*
Dimensions, mm	1,0	1,2	1,4	1,7	1,0	1,4
Dureté, HRC	45–52					
* opérations spéciales						

Déclaration relative au bruit et aux vibrations

Ces valeurs déclarées ont été obtenues grâce à des essais types effectués en laboratoire conformément à la directive ou aux normes mentionnées. Elles conviennent à l'établissement d'une comparaison avec les valeurs déclarées d'autres produits testés conformément aux mêmes normes ou à la même directive. Ces valeurs

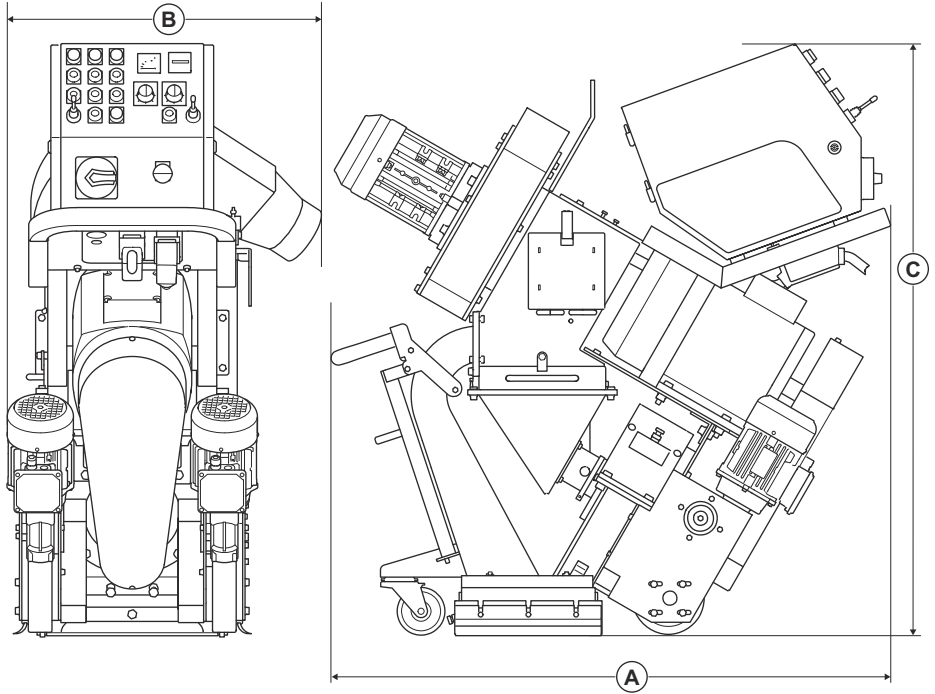
ne sont pas adaptées à une utilisation à des fins d'évaluations des risques ; les valeurs mesurées dans différents lieux de travail peuvent être plus élevées. Les valeurs d'exposition réelles et les risques de blessures rencontrés par chaque utilisateur sont uniques et dépendent de la manière dont l'utilisateur travaille, dans quel matériau le produit est utilisé, mais aussi de la durée d'exposition, de la condition physique de l'utilisateur et de l'état du produit.

Rallonges

Longueur du câble	Section transversale			
	≤ 16 A	≤ 32 A	≤ 63 A	≤ 125 A
Calculé au niveau d'un pré-fusible GG ³ :	16 A	32 A	63 A	125 A
> 20 m	1,5 mm ²	2,5 mm ²	10 mm ²	25 mm ²
20 m > 50 m	2,5 mm ²	4 mm ²	10 mm ²	25 mm ²
50 m > 75 m	4 mm ²	6 mm ²	16 mm ²	35 mm ²

³ Les sections transversales doivent être recalculées lorsque des pré-fusibles de type ou de dimension différents sont utilisés.

Dimensions du produit



A	Longueur, mm/po.	1350/53
B	Largeur, mm/po	650/25,6
C	Hauteur, mm/po	1100/43

Déclaration de conformité

Déclaration de conformité UE

Nous, Husqvarna AB, SE 561 82 Huskvarna, Suède,
Tél. +46 36 146500, déclarons sous notre seule
responsabilité, que le produit :

Description	Grenailleuse acier
Marque	Husqvarna
Type/Modèle	EBE 350
Identification	Numéros de série à partir de 2023 et ultérieurs

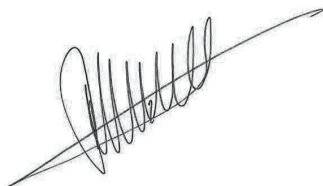
est entièrement conforme à la réglementation et aux
directives de l'UE suivantes :

Directive/Réglementation	Description
2006/42/EC	« relative aux machines »
2014/30/UE	« relative à la compatibilité électromagnétique »

et que les normes et/ou les spécifications techniques
suivantes sont appliquées :

EN ISO 12100:2010

Soest, Pays-Bas, 20



René van der Grint

Directeur de CS&F INFRA, Catégorie de produits
Surfaces et sols en béton

Husqvarna AB, division Construction

Responsable de la documentation technique, disponible
à l'adresse suivante : Nieuwegracht 9, 3763 LP Soest,
Pays-Bas.



Inhoud

Inleiding.....	105	Vervoer, opslag en verwerking.....	130
Veiligheid.....	108	Technische gegevens	135
Werking.....	114	Geluids- en trillingsemisies.....	135
Onderhoud.....	122	Verklaring van overeenstemming.....	138
Probleemoplossing.....	128		

Inleiding

Verantwoordelijkheid van de eigenaar

Gebruik een geschikte stofopvanger om stofemissies tot een minimum te beperken.



WAARSCHUWING: Bij het bewerken van beton en steen met methoden als zagen, slijpen of boren, met name tijdens droge bewerkingen, komt stof vrij dat afkomstig is van het materiaal dat wordt bewerkt, dat vaak kiezelzuur bevat. Kiezelzuur is een elementair onderdeel van zand, kwarts, baksteenklei, graniet en talrijke andere mineralen en gesteenten. Blootstelling aan grote hoeveelheden van dergelijk stof kan leiden tot:

Luchtweegaandoening (invloed op uw ademhaling), waaronder chronische bronchitis, silicose en longfibrose door blootstelling aan kiezelzuur. Deze aandoeningen kunnen fatale gevolgen hebben;

Irritatie van de huid en huiduitslag.

Kanker volgens NTP* en IARC* */ National Toxicology Program, Internationaal Agentschap voor kankeronderzoek.

Neem voorzorgsmaatregelen:

Voorkom inademing en huidcontact met stof, nevel en dampen.

Draag geschikte adembescherming, zoals stofmaskers die zijn ontworpen om microscopische deeltjes uit te filteren en zorg dat alle omstanders dit ook doen. (Zie OSHA 29 CFR Part 1926.1153)

Het is de verantwoordelijkheid van de eigenaar/ gebruiker om ervoor te zorgen dat de gebruiker voldoende weet over een veilig gebruik van het product. Leidinggevend en gebruikers moeten de gebruiksaanwijzing hebben gelezen en begrepen. Ze moeten op de hoogte zijn van:

- De veiligheidsinstructies voor het product.
- De mogelijke toepassingen en de beperkingen van het product.
- De manier waarop het product moet worden gebruikt en onderhouden.

Het gebruik van deze machine kan beperkt worden door lokale regelgeving. Onderzoek welke regelgeving van toepassing is op de plaats waar u werkt voordat u het product in gebruik neemt.

Productbeschrijving

Het product is een duwstaalstraler voor horizontaal gebruik, die wordt aangedreven door een elektromotor. Het product heeft een straalwiel dat straalmiddel op het oppervlak werpt. Het product moet tijdens gebruik op een correcte stofopvanger zijn aangesloten.

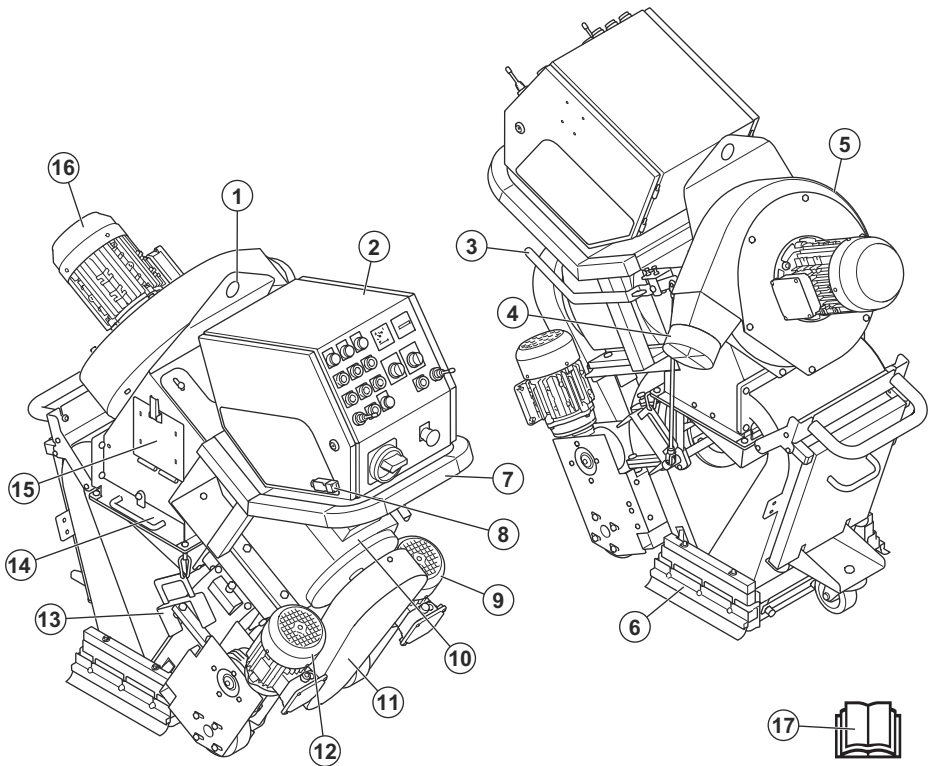
Gebruik

Het product wordt gebruikt om lagen verf, afdichtingsmiddelen en verontreinigingen van stalen oppervlakken te verwijderen. Gebruik het product alleen op droge, vorstvrije horizontale oppervlakken.

Het product wordt voor commerciële toepassingen gebruikt door professionele gebruikers.

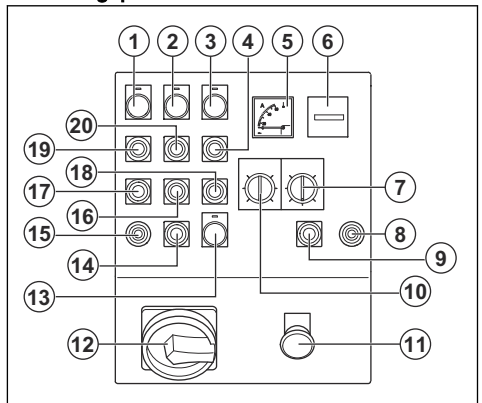
Gebruik het product niet voor andere taken.

Productoverzicht



1. Hijsog
2. Bedieningspaneel, raadpleeg *Bedieningspaneel op pagina 106*
3. Bedieningshendel voor het straalmiddel
4. Aansluiting stofopvanger
5. Ventilatoreenheid
6. Borstelijstafdichtingen
7. Handgreep
8. Dodemansregeling (OPC)
9. Rechter aandrijfmotor
10. Straalmotor
11. V-riemkap
12. Linker aandrijfmotor
13. Houder zijafdichting
14. Afscheiderbak
15. Afscheiderdeur
16. Ventilatoreenheid
17. Bedieningshandleiding

Bedieningspaneel



1. Indicatielampje voor het bedieningspaneel
2. Indicatielampje voor de ventilatoreenheid

3. Indicatielampje voor de straalmotor
4. ON-knop voor de straalmotor
5. Ampèremeter
6. Urenteller
7. Potentiometer voor volgen
8. Joystick voor de rechter aandrijfmotor
9. STOP-knop voor de rechter aandrijfmotor
10. Toerentalregeling
11. Noodstopknop
12. ON/OFF-hoofdschakelaar
13. Controlelampje, indicatielampje voor voeding
14. STOP-knop voor de linker aandrijfmotor
15. Joystick voor de linker aandrijfmotor
16. OFF-knop voor de ventilatoreenheid
17. OFF-knop voor de aandrijfmotoren
18. OFF-knop voor de straalmotor
19. ON-knop voor de aandrijfmotoren
20. ON-knop voor de ventilatoreenheid

Symbolen op het product



WAARSCHUWING: Dit product kan gevaarlijk zijn en ernstig of fataal letsel toebrengen aan de gebruiker of anderen. Wees voorzichtig en gebruik het product op de juiste manier.



Lees de handleiding goed door en zorg dat u de instructies hebt begrepen voordat u het product gebruikt.



Gebruik goedgekeurde ademhalingsbescherming.



Gebruik goedgekeurde gehoorbescherming.



Gebruik goedgekeurde oogbescherming.



Draag goedgekeurde veiligheidshandschoenen.



Draag goedgekeurde veiligheidslaarzen.



Hoogspanning.



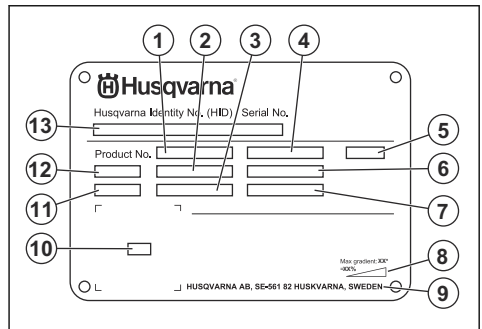
Hijspunt.



Dit product voldoet aan de geldende EU-richtlijnen.

Let op: Overige op het product aangebrachte symbolen/plaatjes verwijzen naar specifieke eisen aan certificering voor bepaalde markten.

Typeplaatje



1. Productnummer
2. Gewicht van het product
3. Nominaal vermogen
4. Nominale spanning
5. Behuizing
6. Nominale stroom
7. Frequentie
8. Maximale hellingshoek
9. Fabrikant
10. Scanbare code
11. Bouwjaar
12. Model
13. Serienummer

Schade aan het product

We zijn niet verantwoordelijk voor schade aan ons product als:

- het product niet goed is gerepareerd.
- het product is gerepareerd met onderdelen die niet van de fabrikant afkomstig zijn, of onderdelen die niet zijn goedgekeurd door de fabrikant.

- het product een accessoire bevat dat niet afkomstig is van de fabrikant of niet is goedgekeurd door de fabrikant.

- het product niet is gerepareerd door een erkend servicepunt of door een erkende autoriteit.

Veiligheid

Veiligheidsdefinities

Waarschuwingen, voorzorgsmaatregelen en opmerkingen worden gebruikt om te wijzen op belangrijke delen van de handleiding.



WAARSCHUWING: Wordt gebruikt om te wijzen op de kans op ernstig of fataal letsel voor de gebruiker of omstanders wanneer de instructies in de handleiding niet worden gevolgd.



OPGELET: Wordt gebruikt indien er een risico bestaat op schade aan het product en andere eigendommen of aan de omgeving wanneer de instructies in de handleiding niet worden gevolgd.

Let op: Geven verdere informatie die nodig is in een bepaalde situatie.

Algemene veiligheidsinstructies



WAARSCHUWING: Lees de volgende waarschuwingen voordat u het product gaat gebruiken.

- Dit product kan bij onvoorzichtig of onjuist gebruik een gevaarlijk gereedschap zijn. Dit product kan ernstig of fataal letsel toebrengen aan de gebruiker of anderen. Het is erg belangrijk dat u deze gebruiksaanwijzing leest en begrijpt voordat u dit product gaat gebruiken.
- Dit product mag niet worden gebruikt door personen (inclusief kinderen) met een lichamelijke, zintuiglijke of geestelijke beperking of gebrek aan ervaring en kennis.
- Bewaar alle waarschuwingen en instructies.
- U dient alle toepasselijke wet- en regelgeving in acht te nemen.
- De gebruiker en de werkgever van de gebruiker dienen op te hoogte te zijn van de risico's tijdens het gebruik van het product en moeten deze voorkomen.
- Zorg ervoor dat dit product alleen wordt gebruikt door personen die de inhoud van de gebruikershandleiding hebben gelezen en begrepen.
- Gebruik het product alleen als u voorafgaand aan gebruik training hebt ontvangen. Zorg ervoor dat alle gebruikers getraind worden.
- Laat het product niet door een kind bedienen.

- Het product mag alleen worden gebruikt door goedgekeurde personen.
- De gebruiker is verantwoordelijk indien ongelukken gebeuren met andere mensen of hun eigendommen.
- Gebruik het product nooit als u moe of ziek bent, of onder invloed van alcohol, drugs of medicijnen verkeert.
- Wees altijd voorzichtig en gebruik uw gezond verstand.
- Houd het product schoon. Zorg ervoor dat u de aanduidingen en stickers duidelijk kunt lezen.
- Gebruik het product niet als het beschadigd is of niet correct werkt.
- Breng geen wijzigingen aan dit product aan.
- Gebruik het product niet als de mogelijkheid bestaat dat andere personen wijzigingen aan het product hebben aangebracht.

Veiligheidsinstructies voor bediening



WAARSCHUWING: Lees de volgende waarschuwingen voordat u het product gaat gebruiken.

- Maak altijd gebruik van persoonlijke beschermingsmiddelen. Zie *Persoonlijke beschermingsuitrusting* op pagina 110.
- Overmatige blootstelling aan trillingen kan bloedvaten en zenuwbeschadigingen veroorzaken bij personen met een verminderde bloedsomloop. Consulteer een arts wanneer u symptomen heeft die wijzen op te grote blootstelling aan trillingen. Dergelijke symptomen zijn slapende vingers e.d., geen gevoel, 'kriebelend' gevoel, 'speldenprikken', pijn, geen of weinig kracht, huidverkleuringen of veranderingen van het huidoppervlak. Deze symptomen worden meestal waargenomen in de vingers, handen of polsen.
- Gebruik het product niet zonder dat alle beschermkappen zijn gemonteerd.
- Zorg ervoor dat u weet hoe u de motoren in een noodsituatie snel kunt stoppen.
- Voordat u het product achterlaat, moet u de motoren stopzetten en de voedingskabel afkoppelen. Zorg ervoor dat er geen risico op onbedoeld starten bestaat.
- Zorg ervoor dat er geen kleding, lang haar en juwelen vast komen te zitten in bewegende delen.
- Zorg ervoor dat u stabiel en veilig staat tijdens het gebruik.
- Controleer of er geen loszittende bouten en moeren zijn.

- Til of kantel het product niet tijdens bedrijf. Straalmiddel komt op hoge snelheid uit het product en kan letsel veroorzaken. Haal altijd de stekker uit het stopcontact voordat u het product optilt of kantelt.
- Zorg ervoor dat de afscheider en afscheiderbak gesloten zijn tijdens het bedrijf.
- Gebruik het product alleen als u weet dat u hulp kunt krijgen indien zich een ongeval voordoet.
- Gebruik altijd goedgekeurde accessoires. Neem voor meer informatie contact op met uw Husqvarna-dealer.
- Als er trillingen optreden in het product of als het geluidsniveau van het product ongewoon hoog is, dient u het product onmiddellijk te stoppen. Haal de stekker uit het stopcontact. Controleer het product op schade. Repareer schade of laat een erkende servicewerkplaats de reparatie uitvoeren.
- Sluit het product altijd aan op een stofopvanger om het stof te verwijderen.
- Trek niet aan de slang van de stofopvanger. Het product kan vallen en letsel of schade veroorzaken.
- Houd de stofopvanger ingeschakeld tot de motoren volledig stoppen.
- Bedien het product alleen van achteren, met uw handen op de handgreep.
- Zorg ervoor dat er geen vet of olie op de handgrepen zit.
- Controleer of de borstellijstafdichtingen niet beschadigd zijn.
- Zorg ervoor dat de borstellijstafdichtingen op de correcte hoogte zijn gemonteerd.
- Gebruik altijd goedgekeurd straalmiddel. Neem voor meer informatie contact op met uw Husqvarna-dealer. Zie *Goedgekeurd straalmiddel op pagina 136*.
- Controleer of de ventilatoreenheid de correcte draairichting heeft. De correcte draairichting wordt met een pijl op de kap van de ventilatoreenheid aangegeven.
- Symptomen kunnen zich voordoen tijdens het gebruik van het product of op andere momenten. Als u symptomen hebt en het product blijft gebruiken, kunnen de symptomen toenemen of permanent worden. Als deze of andere symptomen zich voordoen, neem dan medische hulp:
 - Verstijving, gevoelloosheid, tintelingen, prikken, pijn, een brandend gevoel, kloppen, stijfheid, onhandigheid, krachtverlies, veranderingen in huidskleur of conditie.
- Symptomen kunnen toenemen bij lage temperaturen. Gebruik warme kleding en houd uw handen warm en droog wanneer u het product in koude omgevingen gebruikt.
- Voer onderhoud uit aan en bedien het product zoals vermeld in de gebruikershandleiding, om een correct trillingsniveau te handhaven.
- Het product heeft een trillingsdempingsysteem dat de trillingen van de handgrepen naar de gebruiker vermindert. Laat het product het werk doen.
- Houd uw handen alleen op het handvat of de handgrepen. Houd alle andere lichaamsdelen uit de buurt van het product.
- Stop het product onmiddellijk als er plotseling sterke trillingen optreden. Ga niet verder met het gebruik tot de oorzaak van de toegenomen trillingen is weggenomen.

Bescherming tegen stof



WAARSCHUWING: Lees de volgende waarschuwingen voordat u het product gaat gebruiken.

- Gebruik van het product kan stof in de lucht veroorzaken. Stof kan ernstig letsel en permanente gezondheidsproblemen veroorzaken. Silicastaof wordt door verschillende instanties als schadelijk beschouwd. Hieronder volgen enkele voorbeelden van dergelijke gezondheidsproblemen:
 - De fatale longaandoeningen chronische bronchitis, silicose en longfibrose
 - Kanker
 - Geboortefwijkingen
 - Huidontsteking
- Gebruik de juiste apparatuur om de hoeveelheid stof en dampen in de lucht te verminderen en om stof op werkkleding, oppervlakken, kleding en lichaamsdelen te verminderen. Voorbeelden van voorzieningen zijn stofopvangsystemen. Verminder waar mogelijk stof bij de bron. Zorg ervoor dat de apparatuur correct wordt geïnstalleerd en gebruikt en dat er regelmatig onderhoud wordt uitgevoerd.
- Gebruik goedgekeurde ademhalingsbescherming. Zorg ervoor dat adembescherming wordt gebruikt bij gevaarlijke materialen in het werkgebied.
- Zorg ervoor dat er toereikende ventilatie in het werkgebied is.

Trillingsveiligheid



WAARSCHUWING: Lees de volgende waarschuwingen voordat u het product gaat gebruiken.

- Tijdens het gebruik van het product gaan trillingen van het product naar de gebruiker. Regelmatig en frequent gebruik van het product kan letsel bij de gebruiker veroorzaken of verergeren. Letsel kan optreden in vingers, handen, polsen, armen, schouders en/of zenuwen en bloedtoevoer of andere lichaamsdelen. Het letsel kan slepend en/of blijvend zijn, en het kan geleidelijk toenemen in de loop van weken, maanden of jaren. Het letsel kan bestaan uit schade aan het bloedcirculatiesysteem, het zenuwstelsel, de gewrichten en andere lichaamsstructuren.

Geluidsveiligheid



WAARSCHUWING: Lees de volgende waarschuwingen voordat u het product gaat gebruiken.

- Hoge geluidsniveaus en langdurige blootstelling aan lawaai kunnen gehoorverlies veroorzaken.
- Om het geluidsniveau tot een minimum te beperken, moet u het product onderhouden en bedienen zoals beschreven in de gebruikershandleiding.
- Gebruik goedgekeurde gehoorbescherming wanneer u het product gebruikt.
- Let op alarmsignalen en luide stemmen wanneer u gehoorbescherming gebruikt. Verwijder de gehoorbescherming wanneer het product is gestopt, tenzij gehoorbescherming nodig is voor het geluidsniveau in de werkomgeving.

Persoonlijke beschermingsuitrusting



WAARSCHUWING: Lees de volgende waarschuwingen voordat u het product gaat gebruiken.

- Draag tijdens het gebruik van het product altijd goedgekeurde persoonlijke beschermingsuitrusting. Persoonlijke beschermingsuitrusting kunnen niet alle risico's uitsluiten maar kunnen de ernst van eventueel letsel helpen beperken. Vraag uw dealer u te helpen bij het kiezen van de juiste persoonlijke beschermingsmiddelen en wanneer u deze moet gebruiken.
- Controleer regelmatig de toestand van uw persoonlijke beschermingsmiddelen.
- Gebruik goedgekeurde gehoorbescherming.
- Gebruik goedgekeurde ademhalingsbescherming.
- Gebruik goedgekeurde oogbescherming met zijbescherming.
- Draag veiligheidshandschoenen.
- Gebruik laarzen met stalen neus en antislipzool.
- Gebruik goedgekeurde werkkleding of gelijkwaardige nauwsluitende kleding met lange mouwen en lange broekspijpen.

Brandblusser

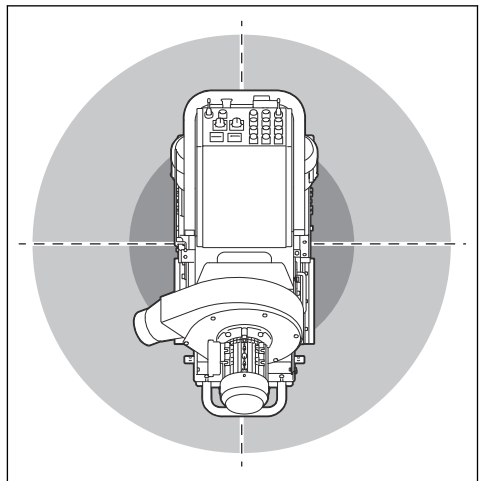
- Zorg dat er een brandblusser in de buurt is tijdens het gebruik van dit product.
- Gebruik een poederblusser of een kooldioxidebrandblusser.

Veiligheid van het werkgebied



WAARSCHUWING: Lees de volgende waarschuwingen voordat u het product gaat gebruiken.

- Het is de verantwoordelijkheid van de gebruiker om het te behandelen oppervlak aan een analyse te onderwerpen. De gebruiker wordt geacht een risicoanalyse te maken op basis van de gegevens die over het te behandelen oppervlak zijn verkregen en dient passende voorzorgsmaatregelen te treffen.
- Gebruik het product niet bij mist, regen, harde wind, koud weer, risico op blikseminslag of andere slechte weersomstandigheden.
- Kijk uit voor personen, objecten en situaties die een veilig gebruik van het product kunnen verhinderen.
- Gebruik het product niet in gebieden waar brand of explosies kunnen optreden. Het product creëert vonken, en ontvlambaar materiaal kan met het stof of de dampen ontbranden.
- Houd kinderen, omstanders en dieren weg van het werkgebied en op veilige afstand van het product. Een veilige afstand is 15 m/49 ft.



- Houd omstanders en dieren weg van het werkgebied en op veilige afstand van het product.
- Zorg ervoor dat er alleen goedgekeurde personen in het werkgebied zijn.
- Zorg dat het werkgebied schoon en volledig verlicht is. In rommelige of donkere gebieden gebeuren eerder ongelukken.
- Verwijder objecten zoals schroeven, bouten, draden en stenen uit het werkgebied voordat u het product gaat gebruiken.
- Zorg ervoor dat er geen kabels of slangen in de werkrichting van het product zijn.
- Let erop dat het product niet wordt belemmerd door ongelijke vloerdelen, zoals lasnaden of vloerverbindingen.
- Zorg ervoor dat er een voldoende luchtstroom op de werkplek is.

Elektrische veiligheid



WAARSCHUWING: Er is altijd kans op schokken van elektrische producten. Gebruik het product niet bij slecht weer. Raak geen bliksemafleiders en metalen voorwerpen aan. Gebruik het product altijd zoals in deze bedieningshandleiding wordt beschreven om letsel te voorkomen.



WAARSCHUWING: Gebruik altijd een voeding met aardlekschakelaar. Een aardlekschakelaar vermindert de kans op een elektrische schok.



WAARSCHUWING: Hoogspanning. Er bevinden zich onbeschermde onderdelen in de voedingsseenheid. Haal altijd de stekker uit het stopcontact voordat u de deur van het regelkastje opent.



WAARSCHUWING: Gebruik het stopcontact op de machine uitsluitend voor de in de instructies vermelde doeleinden.



OPGELET: De voeding van het product of de generator moet krachtig genoeg en constant zijn om de motor probleemloos te kunnen laten werken. Een onjuiste spanning heeft tot gevolg dat het stroomverbruik en de temperatuur van de motor toenemen totdat het veiligheidscircuit wordt geactiveerd. De specificaties van de voedingskabel moeten overeenstemmen met de nationale en lokale voorschriften. De specificaties van het stopcontact moeten overeenstemmen met de stroomsterkte voor het stopcontact en de verlengkabel van het product.

Als het elektriciteitsnet een hogere systeemweerstand heeft, kan er kort spanningsverlies optreden wanneer het product wordt gestart. Dit kan invloed hebben op de werking van andere producten en bijvoorbeeld flikkerende lichten veroorzaken.

- De stekker moet geschikt zijn voor het stopcontact. Wijzig nooit de stekker. Gebruik nooit een adapterstekker in combinatie met gearde elektrische gereedschappen. Ongewijzigde stekkers en overeenkomende stopcontacten verkleinen het risico op elektrische schokken.
- Vermijd lichamelijk contact met gearde oppervlakken, zoals buizen, radiatoren, fornuizen en koelkasten. Er is een verhoogd risico op elektrische schokken als uw lichaam geard is.

- Controleer of de spanning van het elektriciteitsnet en de zekering overeenkomt met de spanning die wordt aangegeven op het productplaatje van het product.
- Stop het product altijd voordat u de stekker uit het stopcontact haalt.
- Controleer voordat u het product op de voeding aansluit of de ON/OFF-schakelaar wel op OFF staat.
- Haal de stekker altijd uit het stopcontact als het product een tijdje niet wordt gebruikt.
- Gebruik het product niet als de voedingskabel of de stekker beschadigd is. Als de voedingskabel beschadigd is, moet deze omwille van veiligheid door de fabrikant, de servicewerkplaats van de fabrikant of een technicus met gelijkwaardige kwalificaties worden vervangen. Een beschadigde voedingskabel kan ernstig letsel en de dood veroorzaken.
- Gebruik de voedingskabel op de juiste manier. Gebruik de voedingskabel niet om het product te verplaatsen, te trekken of los te koppelen. Trek aan de stekker om de voedingskabel los te koppelen. Trek niet aan de voedingskabel.
- Gebruik het product alleen op droge oppervlakken.
- Stel het product niet bloot aan regen. Water dat het product binnendringt, verhoogt het risico op elektrische schokken.
- Verwijder de voedingskabel altijd voordat u de verbinding voor de motorkabel en de controlekast aansluit of loskoppelt.
- Om gevaar als gevolg van een onbedoelde reset van de thermische beveiliging te voorkomen, dient dit apparaat niet via een extern schakelapparaat zoals een timer te worden gevoed noch te worden opgenomen in een circuit dat regelmatig door de voorziening wordt in- en uitgeschakeld.
- Zorg ervoor dat het product uitsluitend wordt gevoed door afzonderlijke transformatoren voor industriële doeleinden.

Instructies voor geard product



WAARSCHUWING: Een verkeerde aansluiting kan leiden tot elektrische schokken. Raadpleeg een erkende elektricien als u niet zeker weet of de contactdoos van het elektriciteitsnet correct geard is.

Breng geen wijzigingen aan de stekker aan ten opzichte van de fabrieksspecificatie. Als de stekker of de voedingskabel beschadigd is of moet worden vervangen, raadpleeg dan uw Husqvarna-servicewerkplaats. Volg de lokale regel- en wetgeving.

Neem contact op met een erkende elektricien als u de instructies over het gearde product niet volledig begrijpt.

Gebruik alleen geaarde verlengkabels voor buitengebruik met geaarde stekkers en geaarde contactdozen die geschikt zijn voor de stekker van het product.

Het product heeft een geaarde voedingskabel en een geaarde stekker. Sluit het product altijd aan op een geaard stopcontact. Dit vermindert de kans op een elektrische schok.

Gebruik geen adapters in combinatie met het product.

Verlengkabels

- Gebruik alleen goedgekeurde verlengkabels met geschikte eigenschappen.
- De markering op de verlengkabel moet gelijk zijn aan of hoger zijn dan de waarde op het productplaatje van het product.
- Gebruik geaarde verlengkabels.
- Gebruik een verlengkabel die geschikt is voor gebruik buitenshuis wanneer u buiten werkt met het product. Dit vermindert de kans op een elektrische schok.
- Houd de aansluiting op de verlengkabel droog en zorg dat deze de grond niet raakt.
- Houd de verlengkabel uit de buurt van hitte, olie, scherpe randen en bewegende delen. Een beschadigde kabel verhoogt het risico op elektrische schokken.
- Controleer of de verlengkabel in goede staat verkeert en niet beschadigd is.
- Gebruik de verlengkabel niet in opgerolde toestand. Daardoor kan de kabel oververhit raken.
- Zorg ervoor dat de verlengkabel tijdens het bedrijf niet in de weg ligt en zich niet bij het product bevindt. Zo voorkomt u dat de verlengkabel beschadigd raakt.

Veiligheidsvoorzieningen op het product



WAARSCHUWING: Lees de volgende waarschuwingen voordat u het product gaat gebruiken.

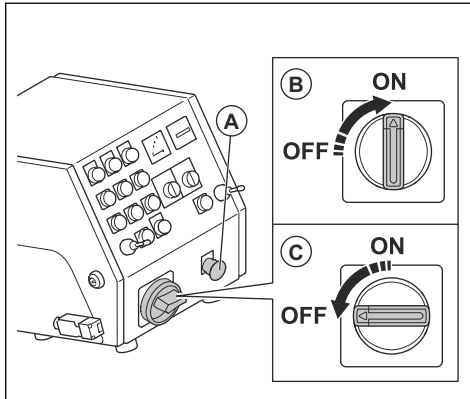
- Gebruik het product niet als veiligheidsvoorzieningen beschadigd zijn of niet goed werken.
- Controleer de veiligheidsvoorzieningen dagelijks. Als uw veiligheidsvoorzieningen beschadigd zijn of niet goed werken, neem dan contact op met uw Husqvarna servicewerkplaats.
- Voer geen veranderingen uit aan de veiligheidsvoorzieningen

ON/OFF-schakelaar

De ON/OFF-schakelaar wordt gebruikt om de voeding naar het product te starten en te stoppen.

De ON/OFF-schakelaar controleren

1. Draai de noodstopknop (A) rechtsonder om ervoor te zorgen dat de noodstopknop wordt uitgeschakeld.



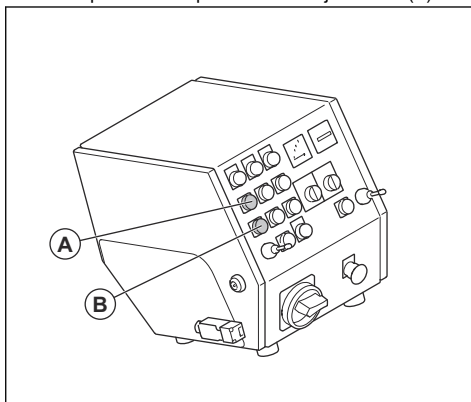
2. Zet de ON/OFF-schakelaar in de stand ON (B).
3. Controleer of het controlelampje op het bedieningspaneel gaat branden.
4. Draai de ON/OFF-schakelaar naar de stand OFF (C).
5. Controleer of het controlelampje op het bedieningspaneel uitgaat.

ON/OFF-knoppen van de aandrijfmotoren

De ON/OFF-knoppen van de aandrijfmotoren worden gebruikt om de aandrijfmotoren te starten en te stoppen. Zie *De aandrijfmotoren controleren op pagina 112*.

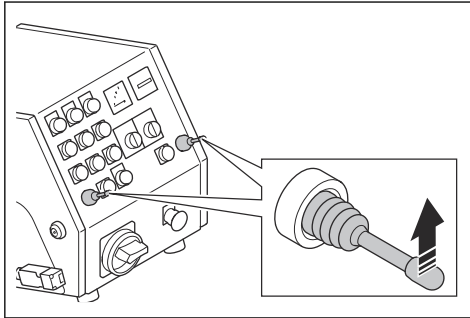
De aandrijfmotoren controleren

1. Draai de noodstopknop rechtsonder om ervoor te zorgen dat de noodstopknop wordt uitgeschakeld.
2. Zet de ON/OFF-schakelaar op ON.
3. Druk op de ON-knop van de aandrijfmotoren (A).



4. Controleer of het indicatielampje gaat branden.

- Stel de toerentalregeling in op 1.
- Duw de 2 joysticks naar voren. Controleer of het product voorwaarts werkt.



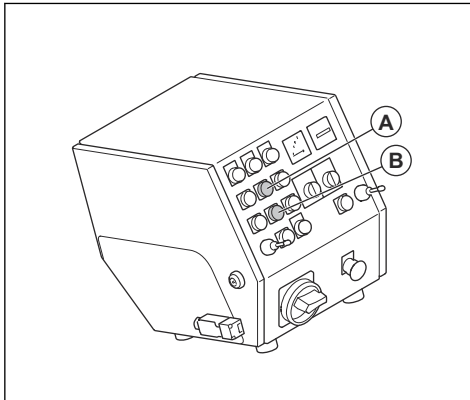
- Zet de 2 joysticks in de neutrale positie. Controleer of het product stopt.
- Trek de 2 joysticks naar achteren. Controleer of het product achterwaarts werkt.
- Zet de 2 joysticks in de neutrale positie.
- Druk op de OFF-knop van de aandrijfmotoren (B).
- Controleer of het indicatielampje uitgaat.

ON/OFF-knoppen van de ventilatoreenheid

De ON/OFF-knoppen van de ventilatoreenheid worden gebruikt om de ventilatoreenheid te starten en te stoppen. Zie *De ON/OFF-knoppen van de ventilatoreenheid controleren op pagina 113*.

De ON/OFF-knoppen van de ventilatoreenheid controleren

- Draai de noodstopknop rechtsom om ervoor te zorgen dat de noodstopknop wordt uitgeschakeld.
- Zet de ON/OFF-schakelaar op ON.
- Druk op de ON-knop van de ventilatoreenheid (A).



- Controleer of de ventilatoreenheid wordt gestart.
- Druk op de OFF-knop van de ventilatoreenheid (B).

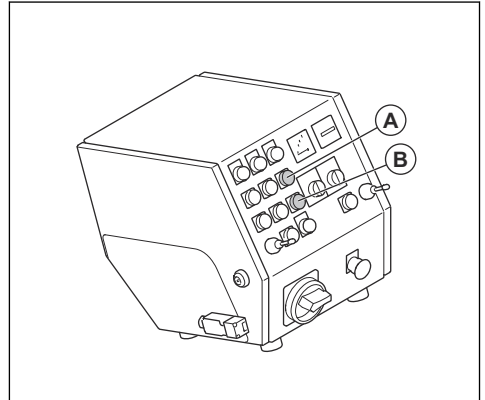
- Controleer of de ventilatoreenheid wordt gestopt.

ON/OFF-knoppen van de straalmotor

De ON/OFF-knoppen van de straalmotor worden gebruikt om de straalmotor te starten en te stoppen. Zie *De ON/OFF-knoppen van de straalmotor controleren op pagina 113*.

De ON/OFF-knoppen van de straalmotor controleren

- Draai de noodstopknop rechtsom om ervoor te zorgen dat de noodstopknop wordt uitgeschakeld.
- Zet de ON/OFF-schakelaar op ON.
- Druk op de ON-knop van de straalmotor (A).



- Controleer of de straalmotor wordt gestart.
- Druk op de OFF-knop van de straalmotor (B).
- Controleer of de straalmotor wordt gestopt.

Ampèremeter

De ampèremeter geeft de straallading op het oppervlak weer. De maximale ampère staat boven de ampèremeter.

Ampèremeter controleren

Zie *Bedieningspaneel op pagina 106* voor informatie over de locatie van de ampèremeter op uw product.

- Start het product. Zie *Product starten op pagina 118*.
- Wacht tot de ampèremeter in stationaire stand is.
- Stop het product. Zie *Product stoppen op pagina 121*.

Noodstopknop

De noodstopknop wordt gebruikt om de motoren snel te stoppen.

De noodstopknop controleren

Zie *Bedieningspaneel op pagina 106* voor informatie over de locatie van de noodstopknop op uw product.

1. Draai de noodstopknop rechtsom om ervoor te zorgen dat de noodstopknop wordt uitgeschakeld.
2. Start het product. Zie *Product starten op pagina 118*.
3. Druk op de noodstopknop.
4. Controleer of de motoren stoppen.
5. Draai de noodstopknop rechtsom om deze uit te schakelen.

Dodemensregeling (OPC)

Als de OPC is ingeschakeld, stopt de motor. Zie *De dodemanshandgreep (OPC) controleren op pagina 114*.

De dodemanshandgreep (OPC) controleren

1. Start het product. Zie *Product starten op pagina 118*.
2. Trek de OPC-sleutel uit het contact. Als de motor niet binnen 3 seconden stopt, neem dan contact op met een erkende Husqvarna-servicewerkplaats.

Veiligheidsinstructies voor onderhoud



WAARSCHUWING: Lees de volgende waarschuwingen voordat u het product gaat gebruiken.

- Voer alleen onderhoud uit zoals beschreven in deze bedieningshandleiding. Laat een

- goedgekeurde servicewerkplaats alle andere onderhoudswerkzaamheden uitvoeren.
- Als het onderhoud niet correct en regelmatig wordt uitgevoerd, neemt de kans op letsel of schade aan het product toe.
- Maak het product schoon om gevaarlijk materiaal te verwijderen voordat u het onderhoud uitvoert.
- Zorg ervoor dat u onderhoudswerkzaamheden aan het product uitvoert op een stabiele, horizontale ondergrond. Zorg ervoor dat het product niet kan bewegen.
- Breng geen wijzigingen aan het product aan. Wijzigingen aan het product die niet zijn goedgekeurd door de fabrikant, kunnen leiden tot ernstig letsel of overlijden.
- Vervang beschadigde, versleten of defecte onderdelen.
- Reinig het product niet met een hogedrukspuit.
- Gebruik alleen niet-pluizende reinigingsdoeken.
- Gebruik altijd originele accessoires en reserveonderdelen. Accessoires en wijzigingen die niet zijn goedgekeurd door de fabrikant, kunnen leiden tot ernstig letsel of overlijden.
- Controleer na onderhoud het trillingsniveau in het product. Als dit niet correct is, neemt u contact op met een erkende servicewerkplaats.
- Laat een erkende servicewerkplaats regelmatig onderhoud aan het product uitvoeren.

Werking

Inleiding



WAARSCHUWING: Voordat u het product gaat gebruiken, dient u het hoofdstuk over veiligheid te lezen en hebben begrepen.

Voordat u het product gebruikt

1. Lees de gebruikershandleiding zorgvuldig door en zorg dat u de instructies hebt begrepen.
2. Lees de gebruikershandleiding voor de stofpvangen zorgvuldig door en zorg dat u de instructies hebt begrepen.
3. Als het product wordt gebruikt in combinatie met een voedingsbron, moet u ervoor zorgen dat u de bedieningshandleiding van die voedingsbron hebt gelezen en begrepen.
4. Maak altijd gebruik van persoonlijke beschermingsmiddelen. Zie *Persoonlijke beschermingsuitrusting op pagina 110*.
5. Zorg ervoor dat er alleen goedgekeurde personen in het werkgebied zijn.
6. Voer dagelijks onderhoud uit. Zie *Onderhoudsschema op pagina 122*.
7. Controleer of het product goed gemonteerd en niet beschadigd is.
8. Controleer of alle bouten, schroeven en moeren goed zijn vastgedraaid.
9. Controleer of de straalwielbladen, straalspuit en afdichtingen niet beschadigd of versleten zijn. Vervang de onderdelen als 75% van de bladdikte afgesleten is.
10. Controleer of de afscheider niet beschadigd is.
11. Controleer of de afscheider tot de afscheiderbak gevuld is met straalmiddel.
12. Controleer of de borstellijsafdichtingen op de correcte hoogte zijn gemonteerd. Zie *De correcte hoogte van de borstellijsafdichtingen installeren op pagina 115*.
13. Plaats het product in het werkgebied. Controleer of het oppervlak vlak is. Zorg ervoor dat het vervoer van het product naar en in het werkgebied veilig en correct wordt uitgevoerd. Zie *Vervoer, opslag en verwerking op pagina 130*.
14. Monteer de zijafdichtingen. Zie *De zijafdichtingen monteren op pagina 116*.
15. Sluit een stofpvangen aan op het product. Zie *Op een stofpvangen aansluiten op pagina 118*.

- Zorg ervoor dat de ON/OFF-schakelaar in de stand OFF staat voordat u het product op een voeding aansluit.
- Sluit het product aan op een stroombron. Zie *Het product op een stroombron aansluiten op pagina 118*.

Klep voor het straalmiddel

De klep voor het straalmiddel regelt de stroom van straalmiddel naar de straalwielbladen. De afstelling van de klep voor het straalmiddel staat op de ampèremeter. Zie *Ampèremeter op pagina 113*.

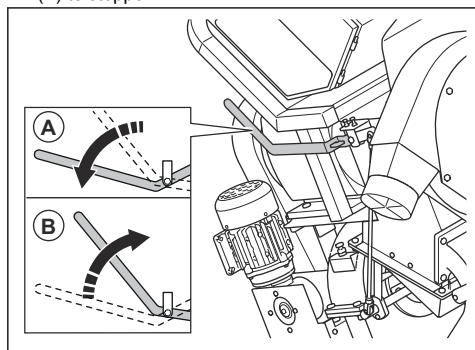
U kunt de klep voor het straalmiddel afstellen met de bedieningshendel voor het straalmiddel. Zie *Klep voor het straalmiddel op pagina 115*.

De klep voor het straalmiddel bedienen



OPGELET: Open de klep voor het straalmiddel alleen als de straalmotor in bedrijf is.

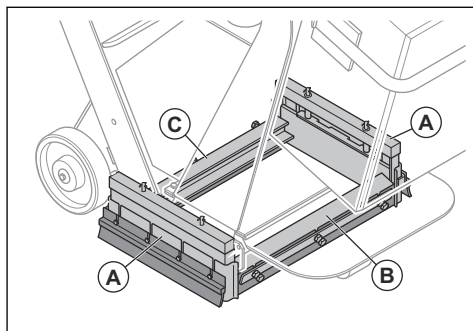
- Duw de bedieningshendel voor het straalmiddel om de klep te sluiten en de stroom van het straalmiddel (A) te stoppen.



- Trek aan de bedieningshendel voor het straalmiddel om de klep te openen en de stroom van het straalmiddel (B) te starten.

Straalmiddelafdichting

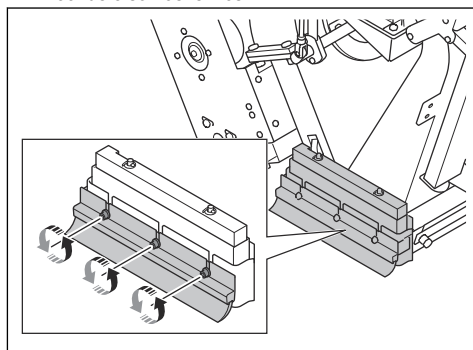
De straalmiddelafdichting is een afdichtingssysteem met 2 zijafdichtingen (A), 1 voorste afdichting (B) en 1 achterste borstel (C). De straalmiddelafdichting zorgt dat het straalmiddel tijdens bedrijf in het product blijft. Zie *De zijafdichtingen monteren op pagina 116* voor meer informatie over de zijafdichtingen. Zie *De voorste rubberen afdichtingen vervangen op pagina 127* voor meer informatie over de voorste afdichting.



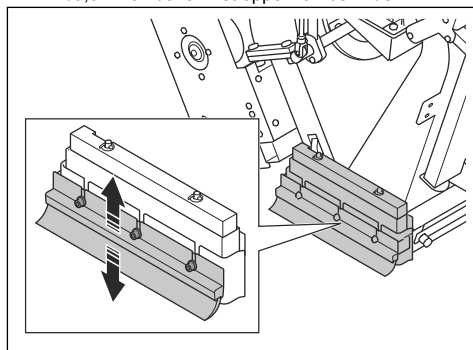
De correcte hoogte van de borstellijstafdichtingen instellen

De borstellijstafdichtingen slijten als u het product gebruikt. Het is noodzakelijk om de hoogte van de borstellijstafdichtingen regelmatig aan te passen.

- Draai de 3 schroeven los.



- Stel de hoogte af tot de borstellijstafdichtingen zich 1 mm/0,04 inch boven het oppervlak bevinden.



- Draai de 3 schroeven vast.

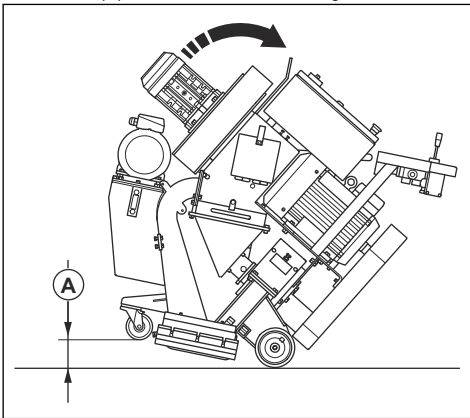
De zijafdichtingen monteren



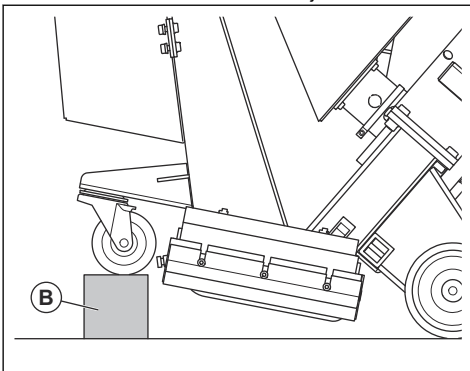
WAARSCHUWING: Voor deze procedure zijn minimaal 2 personen nodig. 1 persoon installeert de zijafdichtingen en 1 persoon zorgt ervoor dat het product op zijn plaats blijft.

Het zijafdichtingssysteem bestaat uit 2 metalen zijafdichtingen, 2 rubberen zijafdichtingen en 2 zijborstels. De metalen zijafdichtingen vallen uit het zijafdichtingssysteem wanneer u het product van het oppervlak tilt. Monteer de zijafdichtingen voordat u het product gebruikt.

1. Parkeer het product op een vlakke ondergrond.
2. Stop het product en laat het afkoelen.
3. 1 persoon kantelt het product naar achteren tot de afstand (A) 120 mm/4,7 inch bedraagt.

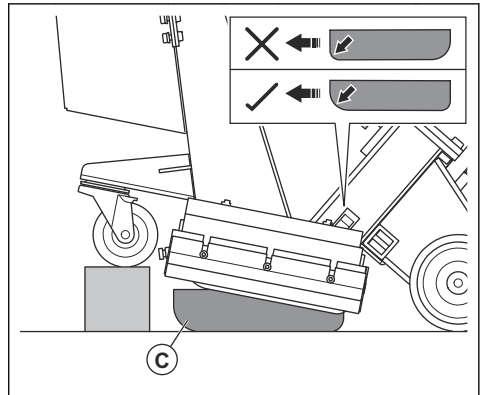


4. De tweede persoon legt een stuk hout (B) onder het voorwiel. De afmetingen van het stuk hout moeten 100×100×300 mm/4×4×12 inch zijn.

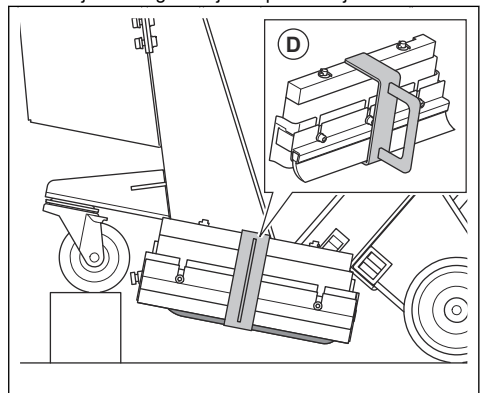


5. Terwijl 1 persoon het proces observeert, installeert de tweede persoon de zijafdichtingen in de zijafdichtingsdoos aan de zijkant:

- a) Plaats de zijafdichting (C) in de zijafdichtingsdoos aan 1 zijde van het product. Zorg ervoor dat het ronde gedeelte van de zijafdichting naar de voorkant van het product wijst.

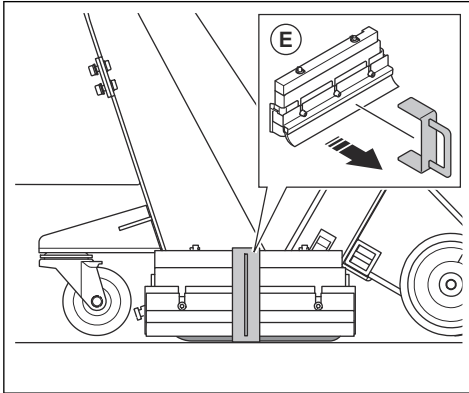


- b) Plaats de houder van de zijafdichting (D) rond de zijafdichtingsdoos om ervoor te zorgen dat de zijafdichting in de juiste positie blijft.



- c) Installeer de zijafdichting aan de tegenoverliggende kant van het product.
6. Terwijl 1 persoon het product iets omhoog tilt, verwijdert de tweede persoon het stuk hout.
7. De persoon die het product omhoog tilt, laat het product langzaam op de grond zakken.

8. De tweede persoon verwijdert de houders van de zijafdichting aan beide zijden van het product (E).

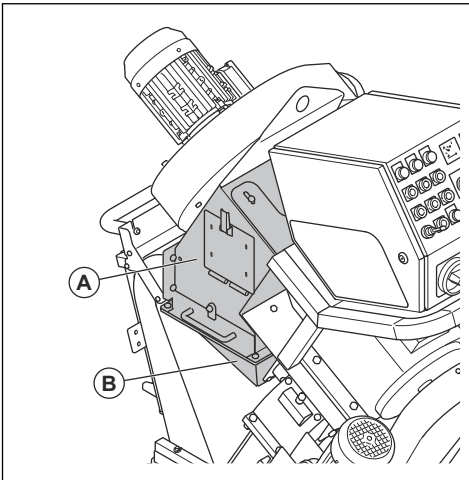


Straalmiddel

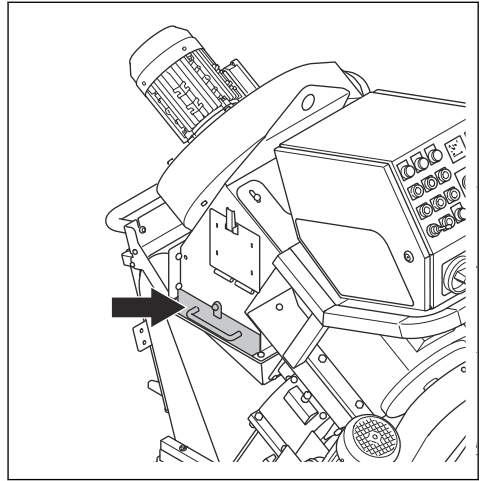
Neem contact op met uw Husqvarna-dealer om het correcte straalmiddel voor uw oppervlakbehandeling te selecteren. Zie *Goedgekeurd straalmiddel op pagina 136*.

Afscheider

Het straalmiddel zit in de afscheider (A) die straalmiddel via de trechter (B) aan de straalwielbladen toevoert.



De afscheiderbak houdt verontreinigingen weg van het straalmiddel en de straalwielbladen.

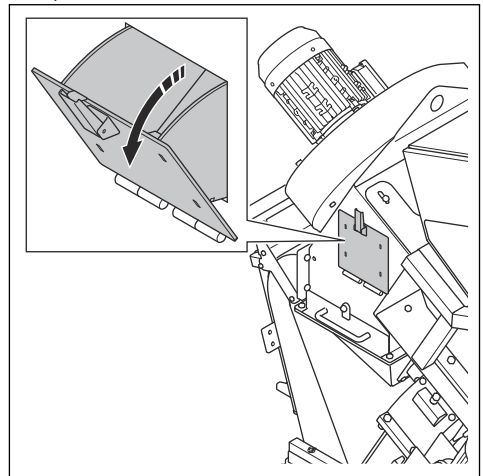


Het product vullen met straalmiddel

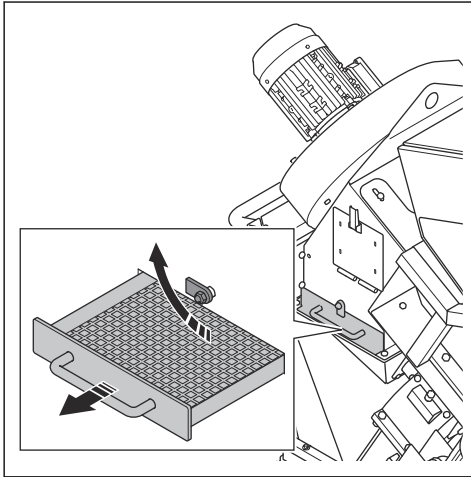


WAARSCHUWING: Gebruik altijd persoonlijke beschermingsmiddelen wanneer u het product met straalmiddel vult. Zie *Persoonlijke beschermingsuitrusting op pagina 110*.

1. Zorg ervoor dat de klep voor het straalmiddel gesloten is. Zie *De klep voor het straalmiddel bedienen op pagina 115*.
2. Open de afscheiderdeur.



- Open de afscheiderbak en verwijder alle verontreinigingen als u het straalmiddel vult of als dat nodig is.



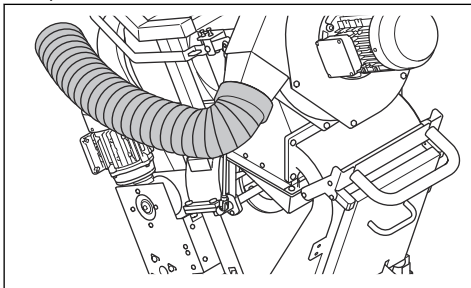
- Vul de afscheider tot aan de afscheiderbak met straalmiddel. Vul de afscheider met straalmiddel als dat nodig is.

Op een stofopvangster aansluiten



WAARSCHUWING: Gebruik de stofopvangster niet als de stofopvangsterslang beschadigd is. U loopt in dat geval meer risico dat u stof inademt dat schadelijk is voor uw gezondheid. Gebruik goedgekeurde ademhalingsbescherming.

- Controleer de stofopvangsterslang op schade.
- Controleer of de filters in de stofopvangster schoon en onbeschadigd zijn.
- Sluit de stofopvangsterslang veilig aan op de aansluiting voor de stofopvangster. Bevestig de stofopvangsterslang met slangklemmen en industriële tape.



Het product op een stroombron aansluiten

- Sluit de voedingsstekker van het product aan op een geaard stopcontact of een andere stroombron.
- Controleer of de netspanning overeenkomt met de spanning die is aangegeven op het productplaatje op het product.

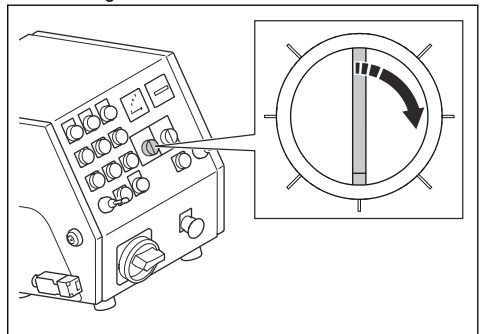
De draairichting van de ventilatoreenheid controleren

- Start het product. Zie *Product starten op pagina 118*.
- Stop het product na enkele seconden. Zie *Product stoppen op pagina 121*.
- Controleer of de ventilatoreenheid de correcte draairichting heeft. De correcte richting wordt met een pijl op de kap van de ventilatoreenheid aangegeven.
- Als de ventilatoreenheid niet de juiste draairichting heeft, wijzigt u de fasevolgorde van de voeding.

Het correcte toerental selecteren

Voor het beste resultaat is het belangrijk om het product met het correcte toerental te gebruiken. Als het oppervlak verschillende kwaliteiten heeft, moet het toerental worden afgesteld voor een gelijkmatig resultaat. Beoordeel het resultaat en stel het toerental indien nodig af.

- Draai de toerentalregeling rechtsom om het toerental te verhogen.

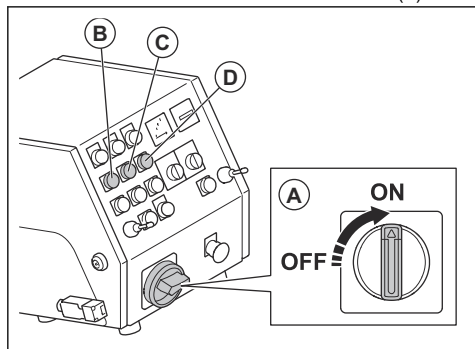


- Draai de toerentalregeling linksom om het toerental te verlagen.

Product starten

- Sluit het product aan op een voeding. Zie *Het product op een stroombron aansluiten op pagina 118*.
- Bevestig de stofopvangsterslang aan het product. Zie *Op een stofopvangster aansluiten op pagina 118*.
- Start de stofopvangster. Raadpleeg de bedieningshandleiding van de stofopvangster.

4. Plaats het snoer van de dodemensregeling om uw linkerpols.
5. Draai de noodstopknop rechtsom om de noodstopknop uit te schakelen.
6. Zet de ON/OFF-schakelaar in de stand ON (A).



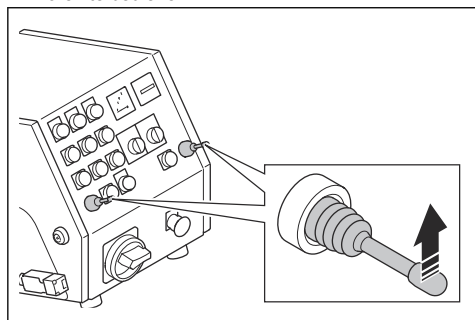
7. Start de aandrijfmotoren (B) en de ventilatoreenheid (C).
8. Controleer de draairichting van de ventilatoreenheid. Zie *De draairichting van de ventilatoreenheid controleren op pagina 118*.
9. Start de straalmotor (D).

Het product gebruiken

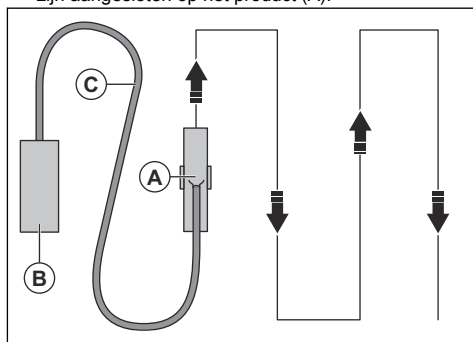


WAARSCHUWING: Til of kantel het product niet tijdens bedrijf. Straalmiddel komt op hoge snelheid uit het product en kan letsel veroorzaken.

1. Zorg ervoor dat het werkgebied veilig is. Zie *Veiligheid van het werkgebied op pagina 110*.
2. Vul de afscheider met straalmiddel. Zie *Het product vullen met straalmiddel op pagina 117*.
3. Start het product. Zie *Product starten op pagina 118*.
4. Stel de knop voor de toerentalregeling op het laagste toerental in.
5. Duw de 2 joysticks naar voren om het product naar voren te bedienen.



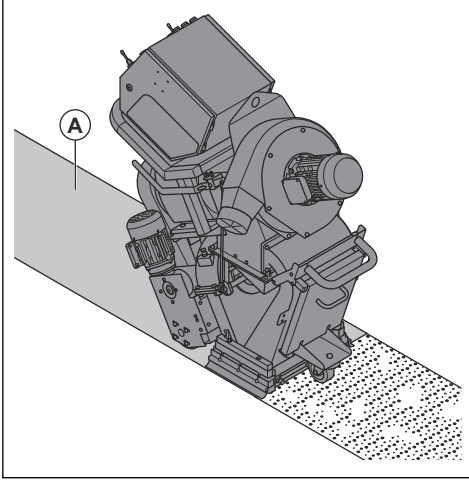
6. Houd de STOP-knop voor de linker aandrijfmotor ingedrukt om het product naar links te draaien. Houd de STOP-knop voor de rechter aandrijfmotor ingedrukt om het product naar rechts te draaien.
7. Trek aan de bedieningshendel voor het straalmiddel om de klep te openen. Zie *De klep voor het straalmiddel bedienen op pagina 115*.
8. Duw na 2 m/7 ft. de bedieningshendel voor het straalmiddel om de klep te sluiten.
9. Stop het product.
10. Controleer het straalpatroon. Stel het straalpatroon zo nodig af. Zie *Het straalpatroon afstellen op pagina 120*.
11. Selecteer het correcte toerental. Zie *Het correcte toerental selecteren op pagina 118*.
12. Beweeg het product (A) in parallelle banen. De stofopvanger (B) moet via de stofopvangerslang (C) zijn aangesloten op het product (A).



13. Duw de linker joystick naar achteren om het product 360° naar links te draaien.
14. Duw de rechter joystick naar achteren om het product 360° naar rechts te draaien.

Straalpatroon

Het straalpatroon (A) is het oppervlak dat behandeld is.



Voor een goed resultaat moet de hotspot zich in het midden van het straalpatroon bevinden. Als de hotspot zich te ver naar links of rechts bevindt, draait u de regelkooi. Zie *Het straalpatroon afstellen op pagina 120*.

Dit zijn de omstandigheden die van invloed zijn op het straalpatroon:

- De draairichting van de straalwielbladen is correct.
- Verhoogde slijtage van de straalwielbladen, rotor en regelkooi.
- De afmetingen van het straalmiddel. Het straalpatroon moet worden aangepast wanneer u straalmiddel met andere afmetingen gebruikt.
- De positie van het zijvenster van de regelkooi.
- Verschillende soorten en hardheden van het oppervlak.

Het straalpatroon afstellen



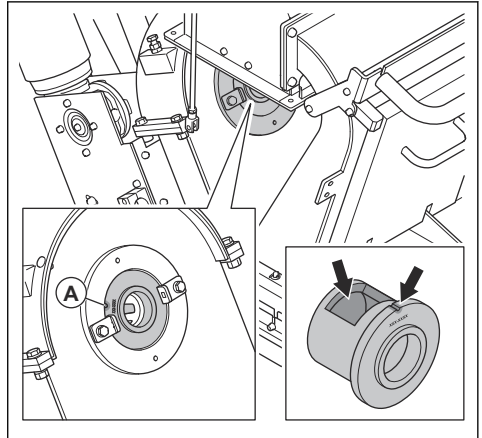
WAARSCHUWING: De kooiklemmen, straalpijp en straalwielbladen mogen niet worden afgesteld, losgemaakt of aangeraakt als het product ingeschakeld is. Koppel de voeding los als u het straalpatroon afstelt.



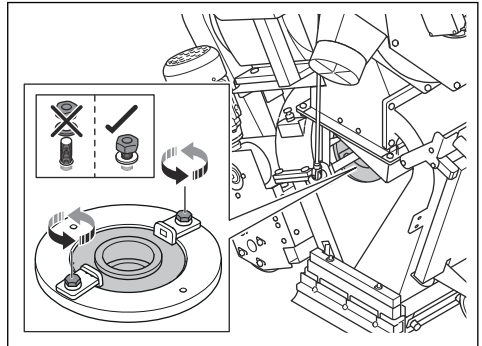
WAARSCHUWING: Draag persoonlijke beschermingsmiddelen als u het straalpatroon afstelt. Zie *Persoonlijke beschermingsuitrusting op pagina 110*.

1. Open de afscheiderdeur en controleer of er straalmiddel in de trechter zit. Leeg de trechter als er straalmiddel in zit. Zie *Straalmiddel uit de trechter verwijderen op pagina 123*.

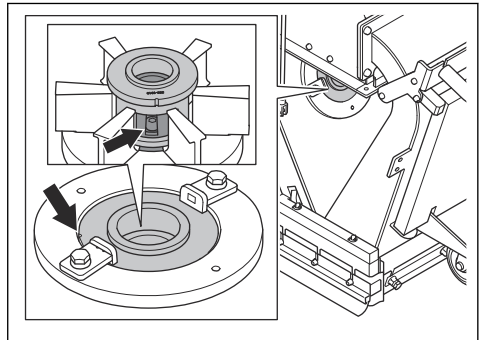
2. Haal de stekker uit het stopcontact.
3. Verwijder de trechter. Zie *De trechter verwijderen en monteren op pagina 123*
4. Noteer de positie van de regelkooi. Gebruik de inkeping in de regelkooi (A) als oriëntatie.



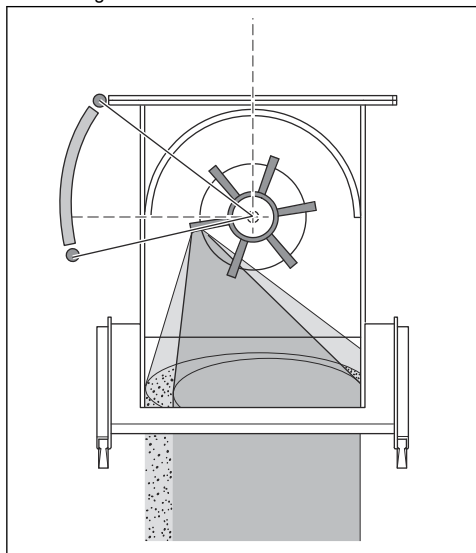
5. Maak de kooiklemmen los.



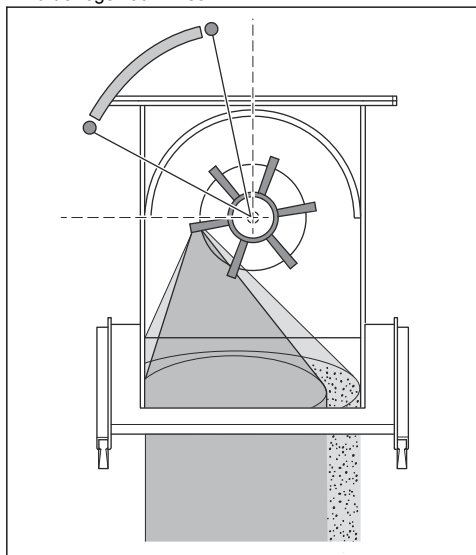
6. Check de positie van het venster van de regelkooi.



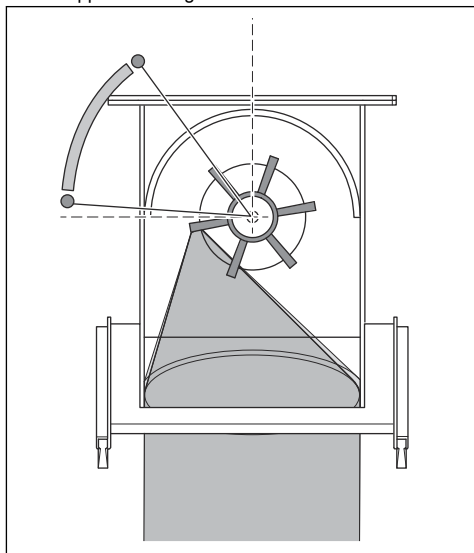
7. Als de hotspot zich te veel naar rechts bevindt, draait u de regelkooi rechtsom.



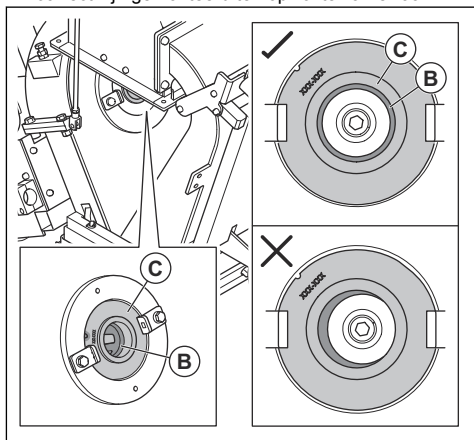
8. Als de hotspot zich te veel naar rechts bevindt, draait u de regelkooi linksom.



9. Bij correcte afstelling wordt de hotspot gelijkmatig op het oppervlak aangebracht.



10. Zorg ervoor dat de rotor (B) en de regelkooi (C) correct zijn gemonteerd ten opzichte van elkaar.



11. Zet de kooiklemmen vast.

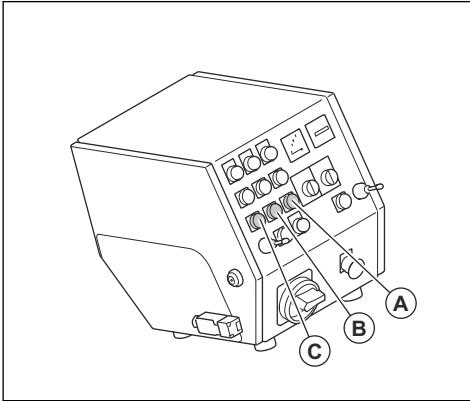
12. Gebruik uw handen om de rotor en het straalwiel te draaien. Controleer op ongebruikelijke geluiden.

13. Monteer de trechter. Zie *De trechter verwijderen en monteren op pagina 123*.

Product stoppen

1. Sluit de klep voor het straalmiddel. Zie *De klep voor het straalmiddel bedienen op pagina 115*.

- Druk op de STOP-knop voor de straalmotor (A), de ventilatoreenheid (B) en de aandrijfmotor (C).



- Draai de ON/OFF-schakelaar naar de stand OFF.
- Koppel de stekker los van de voeding.
- Stop de stofopvangner. Raadpleeg de bedieningshandleiding van de stofopvangner.

Onderhoud

Inleiding



WAARSCHUWING: Voordat u onderhoud gaat uitvoeren, dient u het hoofdstuk over veiligheid te lezen en hebben begrepen.



WAARSCHUWING: Draag persoonlijke beschermingsmiddelen als u service en onderhoud uitvoert. Zie *Persoonlijke beschermingsuitrusting op pagina 110*.



WAARSCHUWING: Voordat u het onderhoud uitvoert, moet u de motoren stopzetten en de stekker van de voeding loskoppelen. Controleer of alle aandrijvingen stoppen.

Voor alle onderhouds- en reparatiewerkzaamheden aan het product is speciale training nodig. Wij garanderen de beschikbaarheid van professionele reparaties en onderhoud. Indien uw dealer geen servicewerkplaats heeft, vraag hem dan naar de dichtstbijzijnde servicewerkplaats.

Zie www.husqvarnaconstruction.com voor meer gedetailleerde informatie.

Onderhoudsschema

* = Algemeen onderhoud uit te voeren door de gebruiker. De instructies zijn niet opgenomen in deze gebruikershandleiding.

X = De instructies zijn opgenomen in deze gebruikershandleiding.

O = De instructies zijn niet opgenomen in deze gebruikershandleiding. Laat onderhoud aan de machine uitvoeren door een erkende servicewerkplaats.

Algemeen productonderhoud	Elke 3 uur	Elke dag	12 uur na onderhoud	Elke 3 maanden	Jaarlijks
Leeg de stofopvangner.	*				
Controleer de afscheider en de afscheiderbak.	X				
Controleer of de stekker en verlengkabel in goede staat verkeren en niet beschadigd zijn.		*			
Controleer de elektrische onderdelen, de kabels en de aansluitingen op slijtage en beschadiging.		*			

Algemeen productonderhoud	Elke 3 uur	Elke dag	12 uur na onderhoud	Elke 3 maanden	Jaarlijks
Controleer de aardlekschakelaar (RCD).		*			
Controleer de motoren op vuil en schade.		*			
Zorg ervoor dat de stofopvangslang niet beschadigd en niet geblokkeerd is.		*			
Controleer de regelkooi en de straalwielbladen op slijtage. Zie <i>Voordat u het product gebruikt op pagina 114</i> .		X			
Reinig het product.		X			
Controleer alle veiligheidsvoorzieningen.		X			
Controleer de borstellijstafdichtingen en de voorste rubberen afdichtingen op slijtage.		*			
Controleer of de moeren en schroeven goed zijn vastgedraaid.			*		
Controleer de spanning van de V-riem.				X	
Voer een volledige onderhouds- en reinigingsbeurt uit.					○

Product reinigen

- Reinig na gebruik altijd alle apparatuur. Gebruik een stofzuiger.
- Reinig het product niet met een hogedrukpuit.
- Houd de luchtopeningen schoon en vrij om ervoor te zorgen dat het product altijd een voldoende koude temperatuur heeft.

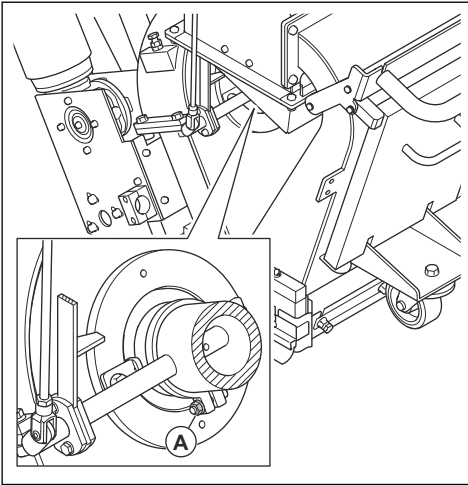
Straalmiddel uit de trechter verwijderen

1. Start het product. Zie *Product starten op pagina 118*.
2. Druk op de ON-knop van de straalmotor.
3. Druk op de OFF-knop van de straalmotor als de straalmotor op 75% van het maximale toerental draait. Open tegelijkertijd de klep voor het straalmiddel. Zie *De klep voor het straalmiddel bedienen op pagina 115*.
4. Sluit na 3 seconden de klep voor het straalmiddel.
5. Bedien het product 50 cm naar achteren.
6. Open de afscheiderdeur en kijk of er nog resterend straalmiddel is. Als er nog resterend straalmiddel in de trechter zit, voert u de procedure opnieuw uit totdat de trechter leeg is.

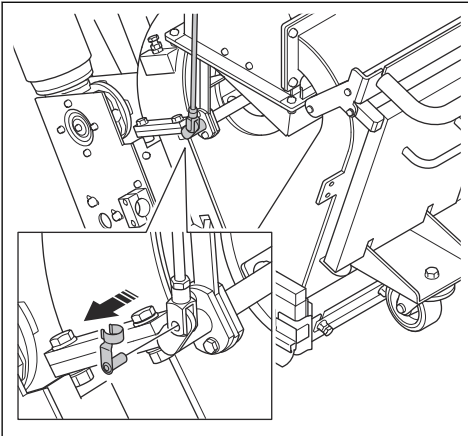
De trechter verwijderen en monteren

1. Open de afscheiderdeur en controleer of er straalmiddel in de trechter zit. Leeg de trechter als er straalmiddel in zit. Zie *Straalmiddel uit de trechter verwijderen op pagina 123*.
2. Haal de stekker uit het stopcontact.

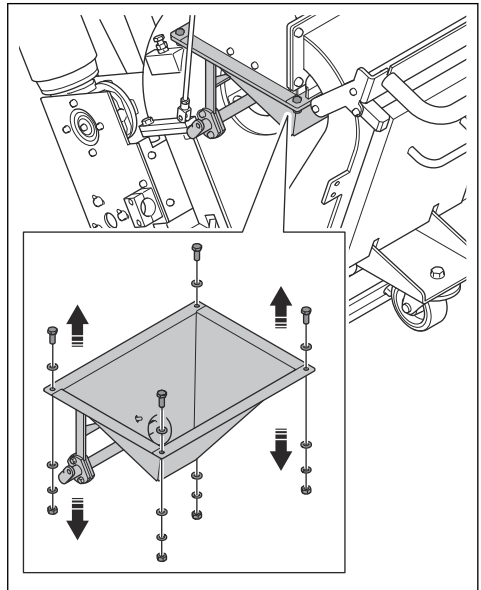
3. Maak de klem (A) op de straalmiddelklep los.



4. Draai de hendel voor de straalmiddelklep los.



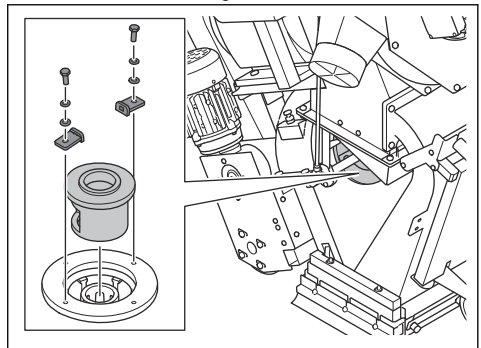
5. Verwijder de 4 schroeven, de 8 sluitringen, de 4 moeren en de trechter.



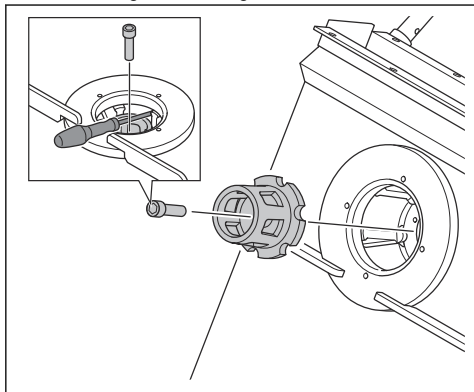
6. Monteer de trechter in omgekeerde volgorde.

De rotor verwijderen

1. Open de afscheiderdeur en controleer of er straalmiddel in de trechter zit. Leeg de trechter als er straalmiddel in zit. Zie *Straalmiddel uit de trechter verwijderen op pagina 123*.
2. Haal de stekker uit het stopcontact.
3. Verwijder de trechter. Zie *De trechter verwijderen en monteren op pagina 123*.
4. Verwijder de 2 schroeven, de 4 sluitringen, de 2 kooiklemmen en de regelkooi.



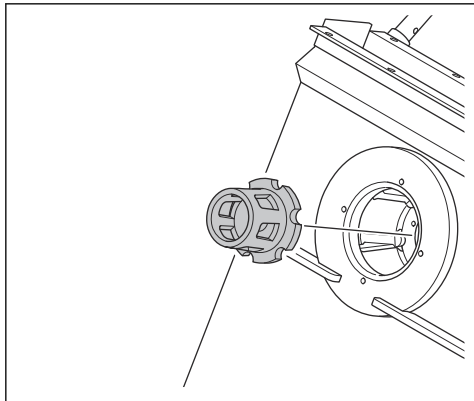
5. Plaats een geschikt gereedschap in de straalwielbladen om rotatie te voorkomen. Verwijder de bout en gooi deze weg.



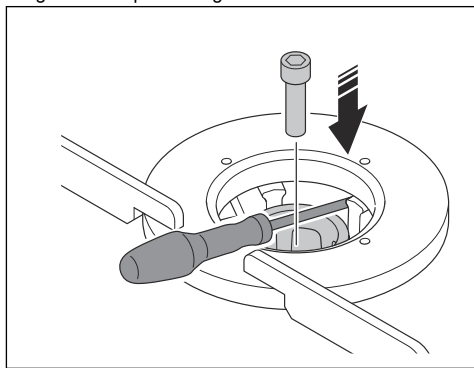
6. Verwijder de rotor.

De rotor monteren

1. Reinig de schroefdraad van het schroefgat voor de bout voor de rotor met perslucht.
2. Monteer de rotor.



3. Blokkeer de straalwielbladen met een geschikt gereedschap en breng de bout voor de rotor aan.

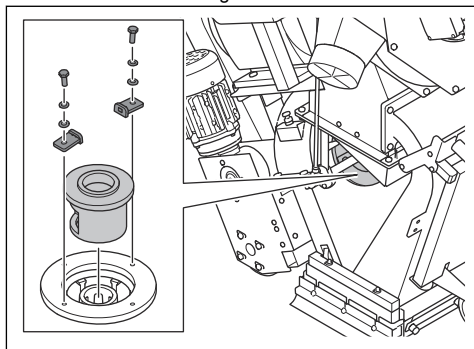


OPGELET: Gebruik altijd een nieuwe bout.



OPGELET: Als u tijdens het aanbrengen van de bout ongebruikelijke weerstand voelt, reinig dan de schroefdraad van het schroefgat. Gebruik geen kracht om de bout aan te brengen. Dit kan schade aan de schroefdraad veroorzaken.

4. Verwijder de 2 schroeven, de 4 sluitringen, de 2 kookklemmen en de regelkooi.



5. Monteer de trechter. Zie *De trechter verwijderen en monteren op pagina 123*.

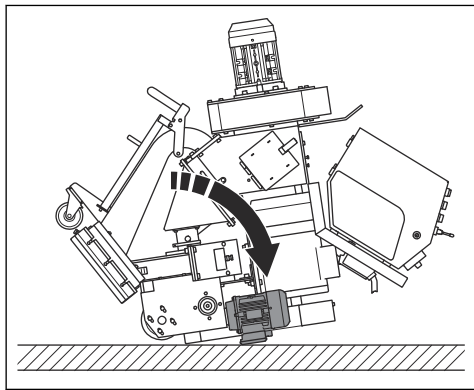
De straalwielbladen verwijderen



OPGELET: Om onbalans in het straalwiel te voorkomen, moeten alle 6 straalwielbladen tegelijkertijd worden vervangen.

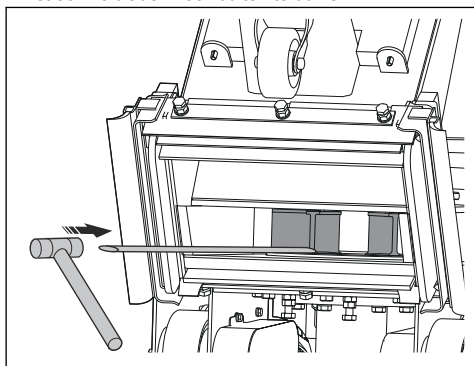
1. Verwijder de trechter. Zie *De rotor verwijderen op pagina 124*.

2. Verwijder de regelkooi en de rotor. Zie *De rotor verwijderen op pagina 124*.
3. Til het voorste gedeelte van het product op en kantel het naar achteren.



WAARSCHUWING: Zorg ervoor dat het product niet naar voren kantelt.

4. Gebruik een koperen drevel en een hamer om de straalwielbladen naar buiten te duwen.



OPGELET: Duw tegen de onderkant van de straalwielbladen. Er bestaat een risico dat de straalwielbladen breken.

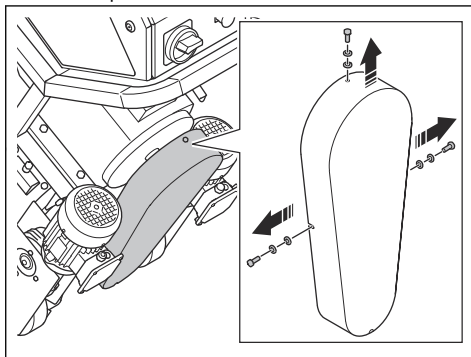
5. Reinig het straalwiel volledig om ervoor te zorgen dat de bladen en rotor goed passen en om onbalans van het straalwiel te voorkomen.
6. Vervang alle bladen en monteer de machine in omgekeerde volgorde.

De spanning van de V-riem controleren

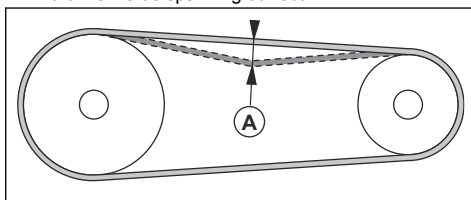


WAARSCHUWING: Gebruik het product niet zonder dat de V-riemkap is gemonteerd.

1. Stop het product. Zie *Product stoppen op pagina 121*.
2. Verwijder de 3 schroeven, de 6 sluitringen en de V-riemkap.



3. Controleer de V-riemkap op beschadiging en slijtage.
4. Duw de V-riem met uw duim in om de spanning te controleren. Als u de V-riemen 10-15 mm (A) kunt indrukken is de spanning correct.



5. Pas de spanning van de V-riem indien nodig aan. Draai de 4 bouten van de motor los en leg strips onder de voet van de motor.
6. Vervang de V-riemkap indien nodig. Zie *Een V-riem vervangen op pagina 126*.
7. Monteer de V-riemkap.

Een V-riem vervangen

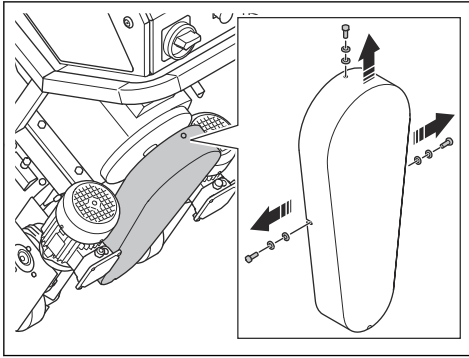


WAARSCHUWING: Verwijder de V-riemkap alleen als de voeding is losgekoppeld en de motoren volledig gestopt zijn.

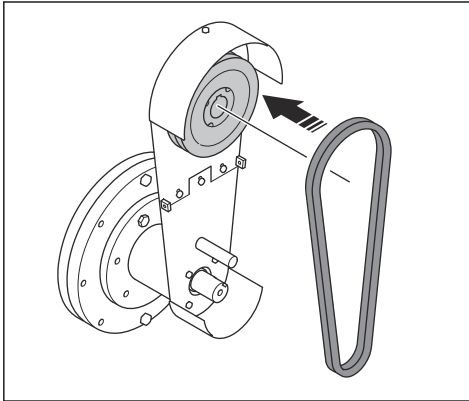


WAARSCHUWING: Gebruik het product niet zonder dat de V-riemkap is gemonteerd.

1. Stop het product. Zie *De spanning van de V-riem controleren op pagina 126*.
2. Ontkoppel de voeding.
3. Verwijder de 3 schroeven, de 6 sluitringen en de V-riemkap.

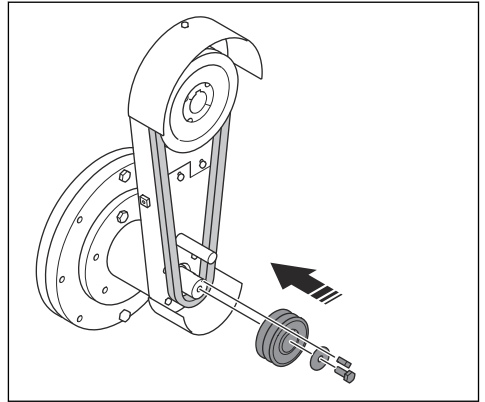


4. Draai de 4 bouten van de motor los en verwijder de strips indien nodig.
5. Verwijder de kleine V-riempeolie en de V-riem.
6. Breng de nieuwe V-riem aan op de grote V-riempeolie.



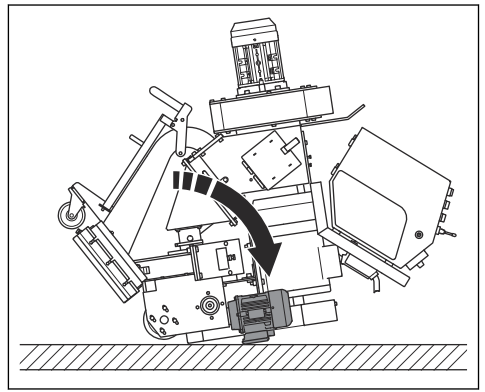
7. Breng de nieuwe V-riem aan om de kleine V-riempeolie.

8. Monteer de kleine V-riempeolie.



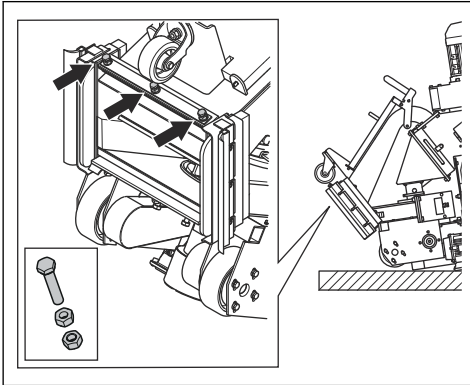
De voorste rubberen afdichtingen vervangen

1. Til het voorste gedeelte van het product op en kantel het naar achteren.

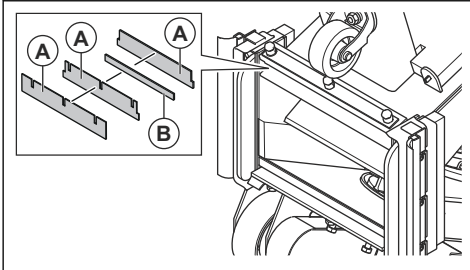


WAARSCHUWING: Zorg ervoor dat het product niet naar voren kantelt.

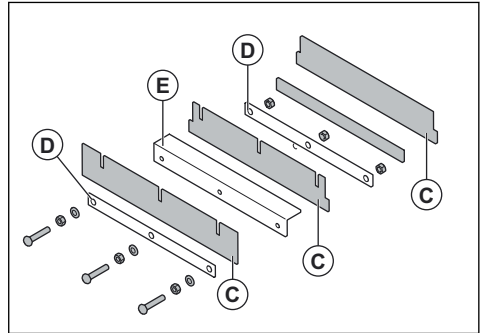
2. Draai de 6 moeren los en draai vervolgens de 3 bouten los.



3. Verwijder de 3 voorste rubberen afdichtingen (A) en de metalen strip (B).



4. Monteer de nieuwe voorste rubberen afdichtingen (C) met de stalen strips (D) tussen de voorste rubberen afdichtingen. De hoekstrip (E) maakt deel uit van de behuizing en kan niet losraken.



5. Breng de 3 bouten aan, haal eerst de binnenste moeren en vervolgens de buitenste moeren aan.
6. Plaats het voorwiel op het oppervlak.

Probleemoplossing

Probleem	Oorzaak	Oplossing
Te veel trilling en/of ongebruikelijke geluiden.	De straalwielbladen zijn versleten of beschadigd.	Vervang de onderdelen die versleten of beschadigd zijn.
	De rotor is versleten.	Vervang de rotor.
	De straalwielbladen en regelkooi zijn niet goed uitgelijnd.	Controleer de straalwielbladen en regelkooi.
	Er zijn losse schroeven en moeren.	Haal alle schroeven en moeren aan.
	De straalmotor is beschadigd.	Neem contact op met een door Husqvarna erkende servicewerkplaats.
	De wielen zijn beschadigd.	Vervang de wielen.

Probleem	Oorzaak	Oplossing
Verlaagde of geen prestaties.	De aanvoer van straalmiddel naar de straalmielbladen is onvoldoende.	Reinig de afscheiderbak en vul de afscheider met straalmiddel. Controleer de klep voor het straalmiddel en controleer of er geen blokkering is.
	Het type straalmiddel is onjuist voor het oppervlak.	Vervang het straalmiddel door het correcte straalmiddel voor het oppervlak.
	Het straalmiddel is verontreinigd.	Controleer de stofopvanger en de stofopvangslang.
	De regelkooi of de straalmielbladen zijn versleten of beschadigd.	Vervang de straalmielbladen of de regelkooi.
	Te veel straalmiddel raakt het oppervlak bij de start van het bedrijf.	Sluit de klep voor het straalmiddel en stop het product. Start het bedrijf opnieuw en open de klep voor het straalmiddel langzaam.
	De regelkooi is niet correct geïnstalleerd.	Plaats de regelkooi zodanig dat u een beter straalpatroon krijgt.
	Het bedrijfstoerental van het product is te hoog.	Verlaag het bedrijfstoerental.
Er komt straalmiddel uit het product.	De afdichtingen zijn beschadigd.	Controleer alle afdichtingen en vervang deze indien nodig.
	De kwaliteit van het straalmiddel is onvoldoende.	Neem voor meer informatie contact op met uw dealer.
	De straalmielbladen zijn versleten of beschadigd.	Vervang de straalmielbladen.
Het straalmiddel is meer verontreinigd dan normaal.	De zuigkracht van de stofopvanger is niet voldoende.	Controleer de stofopvangslang en de stofopvanger.
	De stofopvangslang is geblokkeerd of beschadigd.	Controleer de stofopvangslang. Controleer of er geen blokkering is. Vervang de stofopvangslang indien nodig.
De slijtage is hoger dan gebruikelijk op onderdelen van de behuizing.	Het type straalmiddel is onjuist.	Neem voor meer informatie contact op met uw dealer.
	De regelkooi is niet correct geïnstalleerd.	Plaats de regelkooi zodanig dat u een beter straalpatroon krijgt.
	De zuigkracht van de stofopvanger is niet voldoende.	Controleer de stofopvangslang en de stofopvanger.
Het product beweegt niet.	Het bedrijfstoerental is te laag.	Verhoog het bedrijfstoerental.
	De regeleenheid is beschadigd.	Vervang de regeleenheid.
	De snelheidsregelknop is beschadigd.	Neem contact op met een door Husqvarna erkende servicewerkplaats.
	De zekering is beschadigd.	
	Het hydraulische circuit werkt niet goed.	
Het regelsysteem start niet.	De motorbeschermingsschakelaar is ingeschakeld.	Start het product opnieuw. Controleer de voeding.

Probleem	Oorzaak	Oplissing
Het regelsysteem stopt tijdens bedrijf.	De voedingskabel is beschadigd.	Vervang de kabel.
	De kabel tussen het product en de stofopvanger is beschadigd.	Vervang de kabel.
	De motorbeschermingsschakelaar is ingeschakeld.	Laat een erkende elektricien een controle uitvoeren.
	De stofopvanger stopt door overbelasting.	Laat een erkende elektricien een controle uitvoeren.

Vervoer, opslag en verwerking

Transport



WAARSCHUWING: Wees voorzichtig tijdens het transport. Het product is zwaar en kan als het valt of beweegt letsel of schade veroorzaken.



OPGELET: Sleep het product niet achter een voertuig.

- Voorafgaand aan het transport moeten de elektrische kabel en stofopvangerslang worden losgekoppeld.
- Verwijder het straalmiddel voor transport. Zie *Straalmiddel uit de trechter verwijderen op pagina 123*.
- Zorg dat het product tijdens het transport op bepaalde manieren wordt beschermd. De bescherming zorgt ervoor dat het product tijdens het transport niet wordt blootgesteld aan natuurverschijnselen zoals regen en sneeuw.

Het product een hellingbaan op en af laten gaan



WAARSCHUWING: Wees zeer voorzichtig wanneer u het product een hellingbaan op en af laat gaan. Het product is zwaar en er bestaat gevaar voor letsel als het product te valt of te snel beweegt.



WAARSCHUWING: Gebruik altijd een lier voor steile hellingbanen. Loop nooit onder het product door en blijf er niet onder of in de buurt staan.

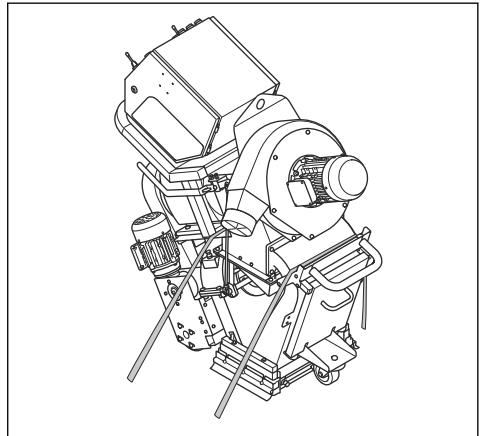
- Als u het product van een hellingbaan af wilt laten rijden, rijd het product dan langzaam vooruit.

- Als u het product een hellingbaan op wilt laten rijden, rijd het product dan langzaam achteruit.
- Draai het product nooit meer dan 45° naar links of rechts op een hellingbaan.

Het product aan een transportvoertuig bevestigen

Bevestig het product tijdens transport om ongevallen en schade aan de apparatuur te voorkomen. Gebruik spanbanden om het product op het transportvoertuig te bevestigen.

1. Plaats het product op het transportvoertuig.
2. Bevestig spanbanden rond het product.



3. Bevestig spanbanden aan het transportvoertuig en haal de spanbanden aan.

Het product optillen



WAARSCHUWING: Zorg ervoor dat de hijsapparatuur de juiste specificaties heeft om het product veilig op te tillen. Het

typeplaatje op het product geeft het gewicht van het product aan.

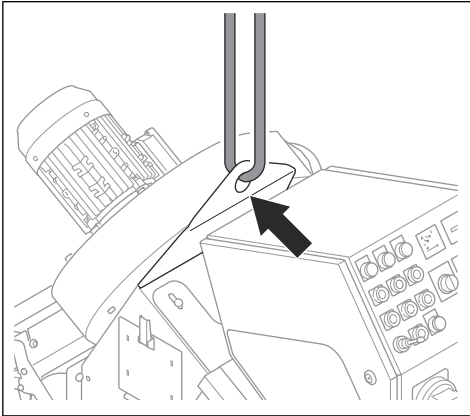


WAARSCHUWING: Loop nooit onder een opgeheven product door en blijf er niet onder of in de buurt staan. Houd omstanders uit de buurt van het werkgebied.



WAARSCHUWING: Hef een beschadigd product niet. Controleer of het hijs oog correct is aangebracht en niet beschadigd is.

1. Bevestig de hijsuitrusting door het hijs oog.



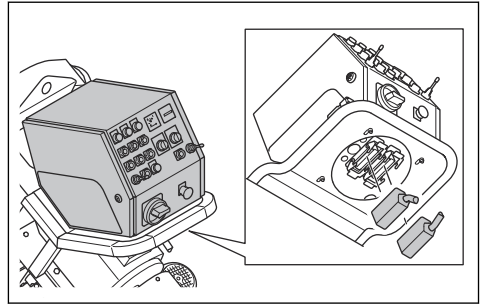
2. Hef het product veilig omhoog. Houd de handgreep vast tot het product van de grond is opgetild.

Het product demonteren

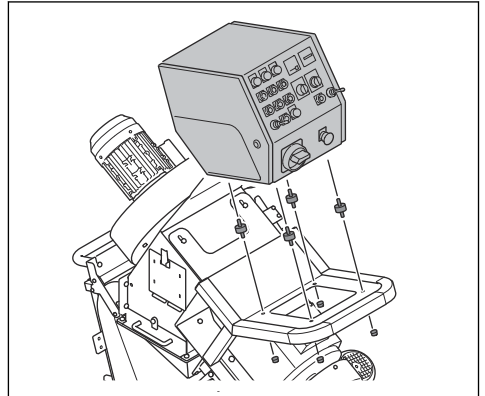
Als u het product door kleine openingen wilt verplaatsen, kunt u het uit elkaar halen.

1. Open de afscheiderdeur en controleer of er straalmiddel in de trechter zit. Leeg de trechter als er straalmiddel in zit. Zie *Straalmiddel uit de trechter verwijderen op pagina 123*.
2. Ontkoppel het product van de voeding.
3. Verwijder de stofopvangerslang.
4. Knip de kabelbinders door waarmee de voedingskabels zijn bevestigd.

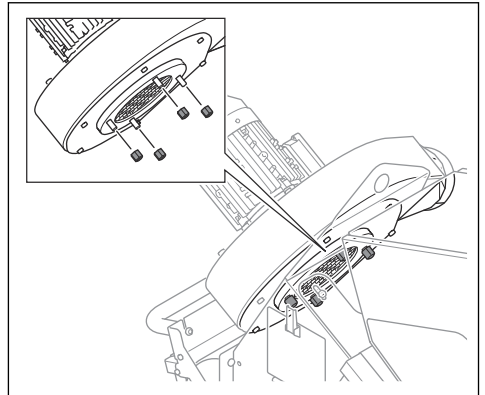
5. Koppel de kabels naar het bedieningspaneel los.



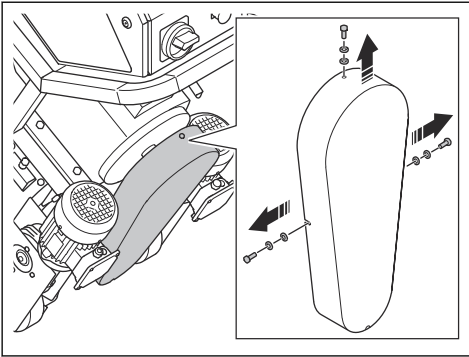
6. Verwijder het bedieningspaneel.



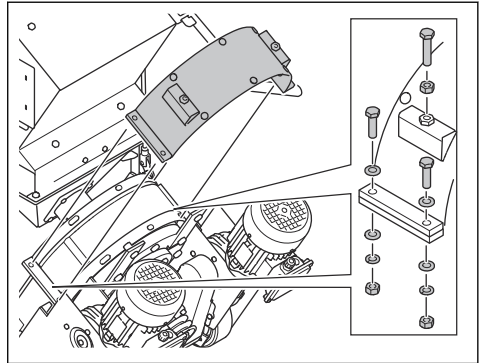
7. Verwijder de ventilatorbehuizing.



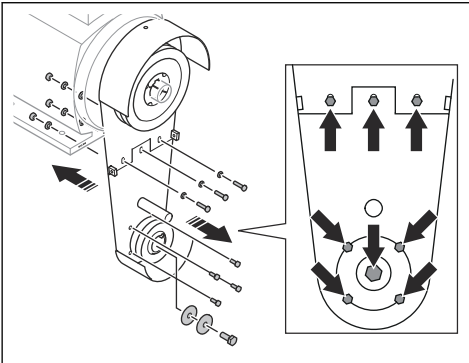
8. Verwijder de V-riemkap.



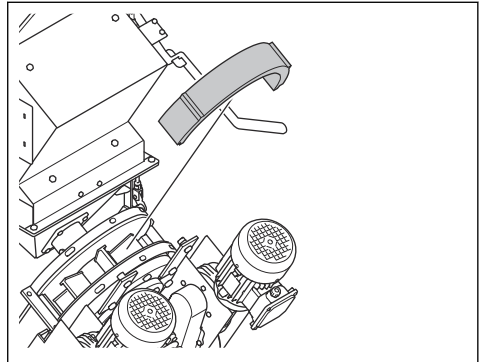
11. Verwijder de kap van de bovenste voering.



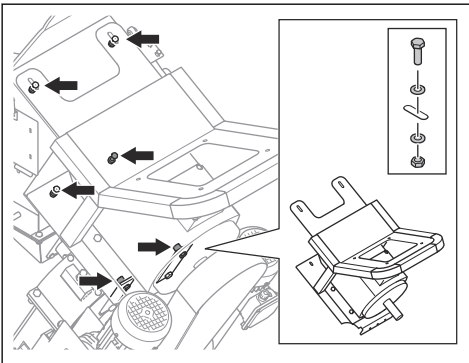
9. Verwijder de bevestigingsplaat van de V-riem.



12. Verwijder de bovenste voering.

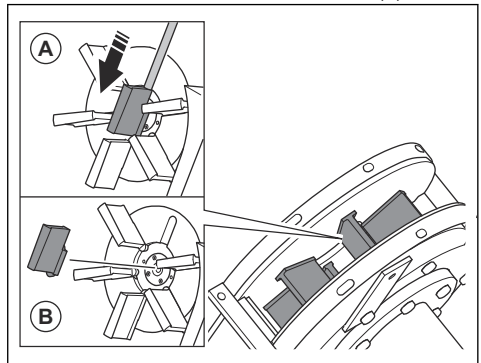


10. Verwijder de bevestigingsplaat van de straalmotor en de straalmotor.



13. Verwijder de rotor. Zie *De straalwielbladen verwijderen op pagina 125*.

14. Gebruik een koperen drevel en een hamer om de straalwielbladen naar beneden te duwen (A).



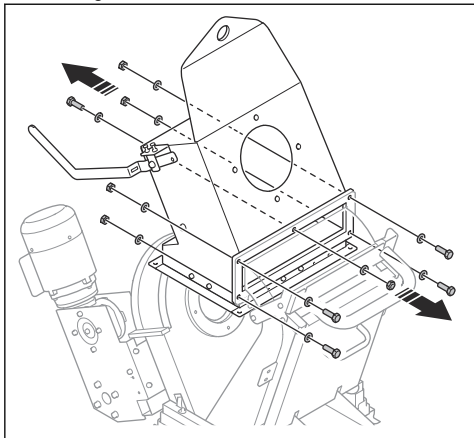
OPGELET: Duw tegen de onderkant van de straalwielbladen. Er bestaat een risico dat de straalwielbladen breken.

15. Verwijder de straalwielbladen (B) en gooi deze weg.

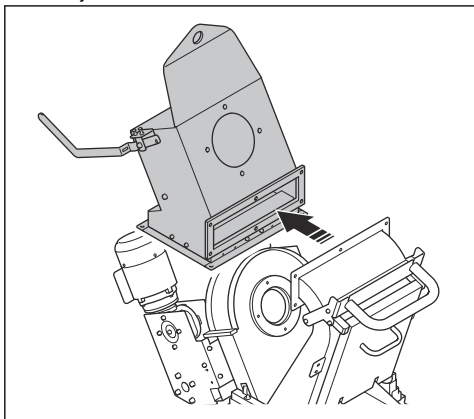


OPGELET: Om onbalans in het straalwiel te voorkomen, moeten alle 6 straalwielbladen tegelijkertijd worden vervangen.

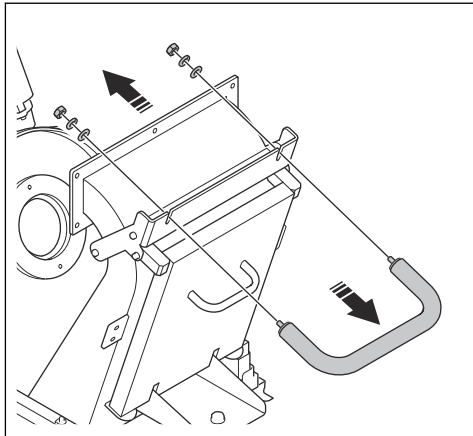
16. Verwijder de schroeven waarmee de afscheider is bevestigd.



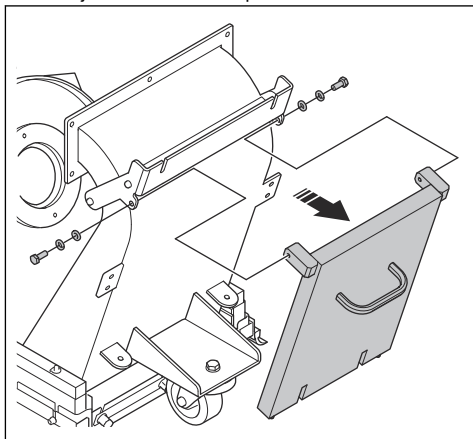
17. Verwijder de afscheider.



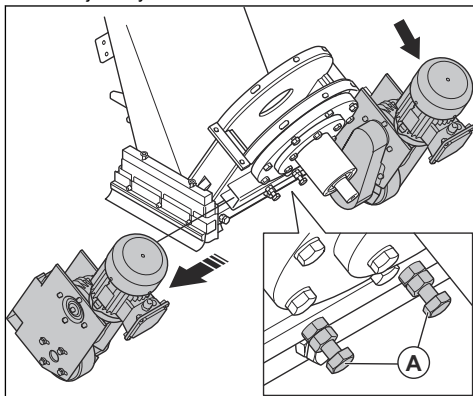
18. Verwijder de handgreep van de bescherming.



19. Verwijder de beschermkap.



20. Draai de 2 bouten (A) los en verwijder het aandrijfwielstelsel.



21. Zet het product weer in omgekeerde volgorde in elkaar.

Opslag



OPGELET: Sla het product niet buiten op. Bewaar dit product altijd binnen.

- Bewaar het product in een droge en vorstvrije ruimte.
- Reinig het product en voer een volledige onderhoudsbeurt uit voordat u het product opslaat.
- Bewaar het product in een afgesloten ruimte om toegang door kinderen of onbevoegde personen te verhinderen.
- Voor opslag moet het straalmiddel uit de afscheider worden verwijderd.

Het product afvoeren

- Neem de plaatselijk geldende wet- en regelgeving voor recycling in acht.
- Wanneer het product niet langer wordt gebruikt, stuur het dan naar een Husqvarna-dealer of voer het af via een recyclingslocatie.

Technische gegevens

	EBE 350E - 50Hz	EBE 350E - 60Hz
Nominaal vermogen, W	11324	15380
Nominale spanning, V	400	480/277
Nominale frequentie, Hz	50	60
Nominale stroom, A	25	24,4
Kabellengte, m/ft	25/82	
Type voedingskabel	4x6 mm ²	4x AWG8
Werkbreedte, mm/inch	350/13,7	
Minimaal reinigingsvermogen, graden/%	10/18	
Rijsnelheid, m/min / ft/min	0-15/0-49	
Gewicht, kg/lb	430/948	
Bedrijfstemperatuur °C/°F	-5-40/23-104	
Diameter stofzuigerslangaansluiting, mm/inch	130/5	
Stofzuiger	Neem contact op met een Husqvarna-servicewerkplaats voor meer informatie.	

Let op: Als voor uw product een elektrische specificatie vereist is die niet in de tabel staat, moet u

contact opnemen met een Husqvarna-servicewerkplaats voor meer informatie.

Geluids- en trillingsemisies

Geluidsemisies	
Geluidsvermogensniveau, gemeten LWA dB (A), ¹	111
Geluidsdrumniveau bij het oor van de gebruiker, LP dB (A) ²	94
Trillingsniveau	
Hoofdhandgreep, m/s ² . ³	0,4
¹ Geluidsdrumniveau vastgesteld volgens EN ISO 3747. Gemeten op stalen oppervlak. Onzekerheidsmarge Kwa 2,5 dB ² Geluidsdrumniveau vastgesteld volgens EN ISO 11202. Gemeten op stalen oppervlak. Onzekerheidsmarge Kpa 3 dB ³ Gewogen effectieve acceleratie gemeten aan de handgreep volgens EN ISO 20643. Gemeten op stalen oppervlak. Onzekerheidsmarge K 0,1 m/s ²	

Goedgekeurd straalmiddel

Goedgekeurd straalmiddel	Hoogwaardig koolstofstaal-straal				Hoogwaardig koolstofstaal-korrel	
	S-330	S-390	S-460	S-550*	SG25*	SG16*
Afmeting, mm	1,0	1,2	1,4	1,7	1,0	1,4
Hardheid, HRC	45–52					
* speciale bediening						

Verklaring inzake geluid- en trillingsemissies

Deze aangegeven waarden zijn verkregen door middel van typeonderzoek in een laboratorium in overeenstemming met de genoemde richtlijn of normen en zijn geschikt voor vergelijking met aangegeven waarden van andere producten die volgens dezelfde richtlijn of normen zijn getest. Deze aangegeven

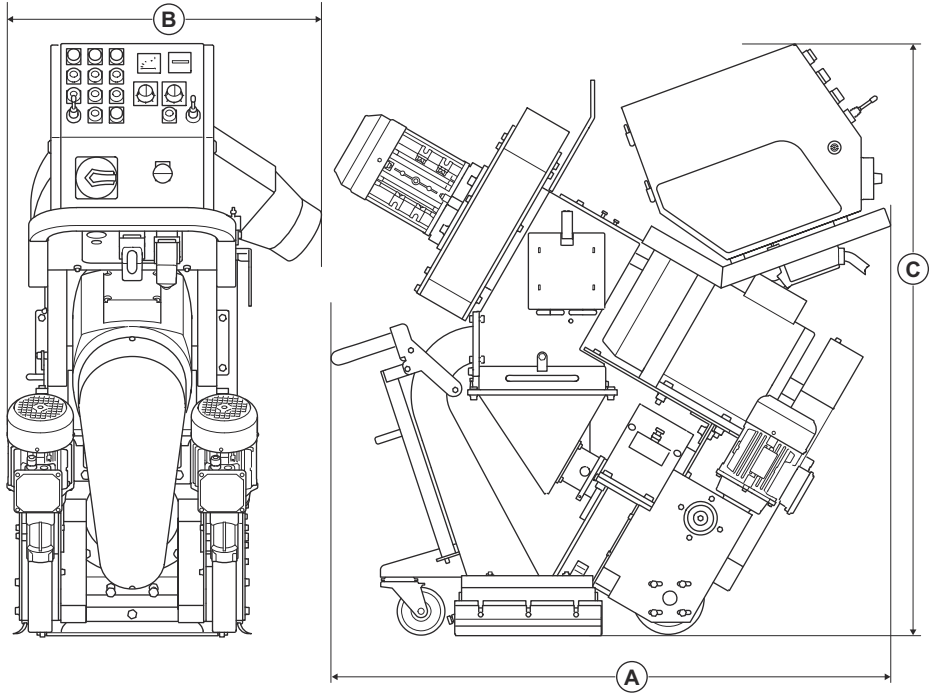
waarden zijn niet geschikt voor gebruik ten behoeve van risicoanalyses. Waarden die worden gemeten op afzonderlijke werkplekken, kunnen hoger zijn. De werkelijke blootstellingswaarden en het risico op letsel dat een individuele gebruiker ondervindt, zijn uniek en zijn afhankelijk van de manier waarop de gebruiker werkt, het materiaal waarvoor het product gebruikt wordt, de blootstellingstijd en de fysieke toestand van de gebruiker en de toestand van het product.

Verlengkabels

Kabellengte	Dwarsdoorsnede			
	≤ 16 A	≤ 32 A	≤ 63 A	≤ 125 A
Berekend bij een voorzekering GG ⁴ :	16 amp	32 amp	63 amp	125 amp
> 20m	1,5 mm ²	2,5 mm ²	10 mm ²	25 mm ²
20m > 50m	2,5 mm ²	4 mm ²	10 mm ²	25 mm ²
50m > 75m	4 mm ²	6 mm ²	16 mm ²	35 mm ²

⁴ De dwarsdoorsnedes moeten opnieuw worden berekend als een ander type voorzekering of voorzekering met andere afmetingen dan gegeven wordt gebruikt.

Productafmetingen



A	Lengte, mm/inch	1350/53
B	Breedte, mm/inch	650/25,6
C	Hoogte, mm/inch	1100/43

Verklaring van overeenstemming

EU-verklaring van overeenstemming

Wij, Husqvarna AB, SE 561 82 Huskvarna,
ZWEDEN, Tel. +46 36 146500, verklaren onder onze
alleenverantwoordelijkheid dat het product:

Beschrijving	Staalstraler
Merk	Husqvarna
Type/model	EBE 350
Identificatie	Serienummers vanaf 2023 en verder

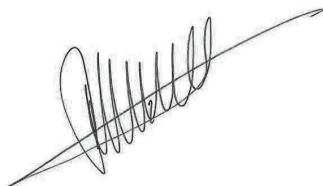
volledig voldoet aan de volgende EU-richtlijnen en
-regelgeving:

Richtlijn/Verordening	Beschrijving
2006/42/EG	"betreffende machines"
2014/30/EU	"betreffende elektromagnetische compatibiliteit"

en dat de volgende normen en/of technische
specificaties zijn toegepast:

EN ISO 12100:2010

Soest, Nederland, 20



René van der Grint

Director CS&F INFRA, Product Category Concrete
Surfaces & Floors

Husqvarna AB, Construction Division

Verantwoordelijk voor technische documentatie,
beschikbaar op Nieuwegracht 9, 3763 LP Soest,
Nederland.





FR

Cet appareil,
ses cordons,
et batterie
se recyclent

À DÉPOSER
EN MAGASIN



OU

À DÉPOSER
EN DÉCHÈTERIE



Points de collecte sur www.quefairedemesdechets.fr
Privilégiez la réparation ou le don de votre appareil !

Husqvarna®

www.husqvarnaconstruction.com

Original instructions
Originalanweisungen
Instructions d'origine
Originele instructies

1143477-20

Rev. B



FR



2023-12-27