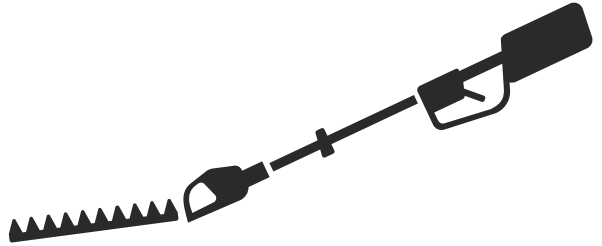




Husqvarna®



525iHE3, 525iHE4

EN Operator's manual
ES-MX Manual del usuario
FR-CA Manuel d'utilisation

2-21
22-42
43-63

Contents

Introduction.....	2	Troubleshooting.....	17
Safety.....	4	Transportation, storage and disposal.....	18
Assembly.....	11	Technical data.....	20
Operation.....	11	Registered trademarks.....	21
Maintenance.....	15		

Introduction

Product description

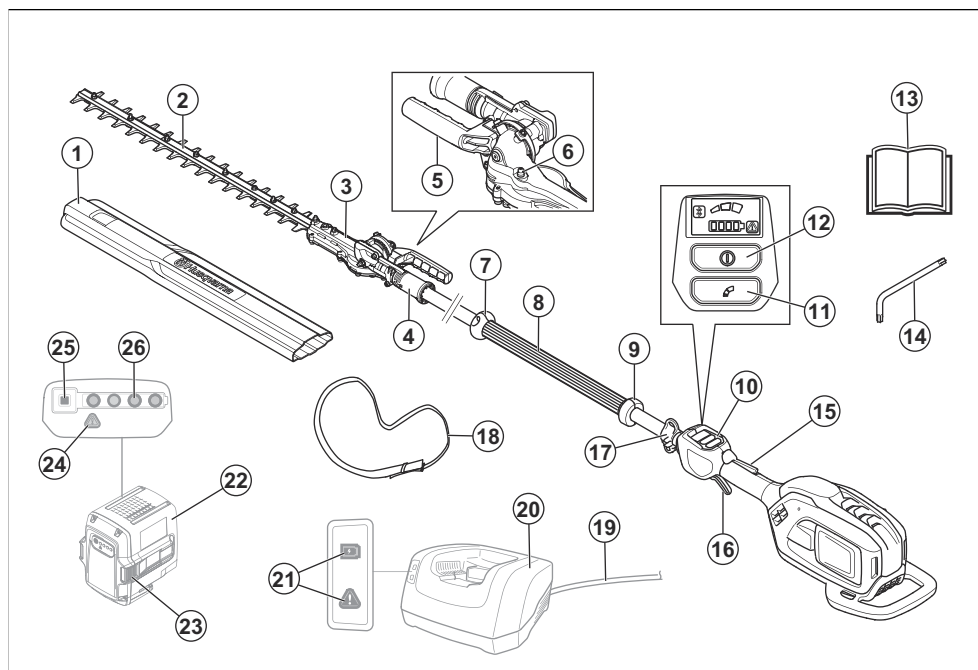
Husqvarna 525iHE3, 525iHE4 are battery pole hedge trimmers with electrical motors.

Work is constantly in progress to increase your safety and efficiency during operation. Speak to your servicing dealer for more information.

Intended use

Use the product to cut branches and twigs. Do not use the product for other tasks.

Product overview



- | | |
|-------------------------------|-----------------------|
| 1. Transport guard | 8. Front handle |
| 2. Blade | 9. Shaft |
| 3. Gearbox | 10. User interface |
| 4. Position adjustment handle | 11. Speed mode button |
| 5. Handle | 12. Start/stop button |
| 6. Grease nipple | 13. Operator's manual |
| 7. Hand guard | 14. T27 Torx key |

15. Power trigger lockout
16. Power trigger
17. Harness support hook
18. Harness
19. Power cord for the battery charger
20. Battery charger
21. Power on and warning LED
22. Battery
23. Battery release buttons
24. Warning LED
25. Battery indicator button
26. LED indicator for the state of charge

Symbols on the product



WARNING: This product can be dangerous and cause serious injury or death to the operator or others. Be careful and use the product correctly.



Read the operator's manual carefully and make sure that you understand the instructions before you use this product.



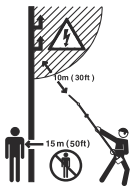
Use a protective helmet in locations where objects can fall on you. Use approved hearing protection. Use approved eye protection.



Use stable boots with non-slip soles.



Use approved protective gloves.



There is no electrical insulation in this product. If the product touches or comes near high voltage power lines, it can cause serious injury or death to the operator. Electricity can move between different objects by a curve. The higher the voltage, the longer the electricity can move. Electricity can also move through branches and other objects, especially if the object is wet. Always keep a distance at a minimum of 10 m/33 ft between the product and high voltage power lines and/or objects that touches the power lines. If it is necessary to do work near the power lines, make sure that the power is off before you start the work. Keep a distance at a minimum of 15 m/50 ft to other persons or animals during the operation.

yyyywwxxxx

The rating plate shows serial number. **yyyy** is the production year and **ww** is the production week.



Stop the product fully before you touch the cutting tool.



Stop the product fully before you touch the cutting tool.



Keep all parts of your body away from the hot surfaces.



Pull down the handle to unlock angle adjustment of the cutting unit.



Rated voltage, V



Direct current.



The product has protection against splashing water.



If the product features Bluetooth® wireless technology. The Bluetooth® symbol will be marked on the product name label.



Disconnect battery before maintenance.

Note: Other symbols/decals on the product refer to special certification requirements for some markets.

Symbols on the battery and/or on the battery charger



Recycle this product at a recycling station for electrical and electronic equipment. (Applies to Europe only)



Fail-safe transformer.



Use and keep the battery charger indoors only.



Double insulation.

California Proposition 65

WARNING

This product contains or emits a chemical known to the State of California to cause cancer or birth defects or other reproductive harm.

Product damage

We are not responsible for damages to our product if:

- the product is incorrectly repaired.
- the product is repaired with parts that are not from the manufacturer or not approved by the manufacturer.
- the product has an accessory that is not from the manufacturer or not approved by the manufacturer.
- the product is not repaired at an approved service center or by an approved authority.

Safety

Safety definitions

Warnings, cautions and notes are used to point out specially important parts of the manual.



WARNING: Used if there is a risk of injury or death for the operator or bystanders if the instructions in the manual are not obeyed.



CAUTION: Used if there is a risk of damage to the product, other materials or the adjacent area if the instructions in the manual are not obeyed.

Note: Used to give more information that is necessary in a given situation.

IMPORTANT SAFETY INSTRUCTIONS

Read all instructions



WARNING: When using electric gardening appliances, basic safety precautions should always be followed to

reduce the risk of fire, electric shock, and personal injury, including the following:

General power tool safety warnings



WARNING: Read all safety warnings and all instructions. Failure to follow the warnings and instructions may result in electric shock, fire and/or serious injury.

Note: Save all warnings and instructions for future reference. The term "power tool" in the warnings refers to your mains-operated (corded) power tool or battery-operated (cordless) power tool.

Work area safety

- **Keep work area clean and well lit.** Cluttered or dark areas invite accidents.
- **Do not operate power tools in explosive atmospheres, such as in the presence of flammable liquids, gases or dust.** Power tools create sparks which may ignite the dust or fumes.
- **Keep children and bystanders away while operating a power tool.** Distractions can cause you to lose control.

Electrical safety

- **Power tool plugs must match the outlet. Never modify the plug in any way. Do not use any adapter plugs with earthed (grounded) power tools.**

Unmodified plugs and matching outlets will reduce risk of electric shock.

- **Avoid body contact with earthed or grounded surfaces, such as pipes, radiators, ranges and refrigerators.** There is an increased risk of electric shock if your body is earthed or grounded.
- **Do not expose power tools to rain or wet conditions.** Water entering a power tool will increase the risk of electric shock.
- **Do not abuse the cord. Never use the cord for carrying, pulling or unplugging the power tool. Keep cord away from heat, oil, sharp edges or moving parts.** Damaged or entangled cords increase the risk of electric shock.
- **When operating a power tool outdoors, use an extension cord suitable for outdoor use.** Use of a cord suitable for outdoor use reduces the risk of electric shock.
- **If operating a power tool in a damp location is unavoidable, use a residual current device (RCD) protected supply.** Use of a RCD reduces the risk of electric shock.

Personal safety

- **Stay alert, watch what you are doing and use common sense when operating a power tool. Do not use a power tool while you are tired or under the influence of drugs, alcohol or medication.** A moment of inattention while operating power tools may result in serious personal injury.
- **Use personal protective equipment. Always wear eye protection.** Protective equipment such as dust mask, non-skid safety shoes, hard hat or hearing protection used for appropriate conditions will reduce personal injuries.
- **Prevent unintentional starting. Ensure the switch is in the off-position before connecting to power source and/or battery pack, picking up or carrying the tool.** Carrying power tools with your finger on the switch or energising power tools that have the switch on invites accidents.
- **Remove any adjusting key or wrench before turning the power tool on.** A wrench or a key left attached to a rotating part of the power tool may result in personal injury.
- **Do not overreach. Keep proper footing and balance at all times.** This enables better control of the power tool in unexpected situations.
- **Dress properly. Do not wear loose clothing or jewellery. Keep your hair and clothing away from moving parts.** Loose clothes, jewellery or long hair can be caught in moving parts.
- **If devices are provided for the connection of dust extraction and collection facilities, ensure these are connected and properly used.** Use of dust collection can reduce dust-related hazards.
- **Do not let familiarity gained from frequent use of tools allow you to become complacent and ignore**

tool safety principles. A careless action can cause severe injury within a fraction of a second.

Power tool use and care

- **Do not force the power tool. Use the correct power tool for your application.** The correct power tool will do the job better and safer at the rate for which it was designed.
- **Do not use the power tool if the switch does not turn it on and off.** Any power tool that cannot be controlled with the switch is dangerous and must be repaired.
- **Disconnect the plug from the power source and/or remove the battery pack, if detachable, from the power tool before making any adjustments, changing accessories, or storing power tools.** Such preventive safety measures reduce the risk of starting the power tool accidentally.
- **Store idle power tools out of the reach of children and do not allow persons unfamiliar with the power tool or these instructions to operate the power tool.** Power tools are dangerous in the hands of untrained users.
- **Maintain power tools and accessories. Check for misalignment or binding of moving parts, breakage of parts and any other condition that may affect the power tool's operation. If damaged, have the power tool repaired before use.** Many accidents are caused by poorly maintained power tools.
- **Keep cutting tools sharp and clean.** Properly maintained cutting tools with sharp cutting edges are less likely to bind and are easier to control.
- **Use the power tool, accessories and tool bits etc. in accordance with these instructions, taking into account the working conditions and the work to be performed.** Use of the power tool for operations different from those intended could result in a hazardous situation.
- **Keep handles and grasping surfaces dry, clean and free from oil and grease.** Slippery handles and grasping surfaces do not allow for safe handling and control of the tool in unexpected situations.

Battery tool use and care

- **Recharge only with the charger specified by the manufacturer.** A charger that is suitable for one type of battery pack may create a risk of fire when used with another battery pack.
- **Use power tools only with specifically designated battery packs.** Use of any other battery packs may create a risk of injury and fire.
- **When battery pack is not in use, keep it away from other metal objects, like paper clips, coins, keys, nails, screws or other small metal objects, that can make a connection from one terminal to another.** Shorting the battery terminals together may cause burns or a fire.
- **Under abusive conditions, liquid may be ejected from the battery; avoid contact. If contact accidentally occurs, flush with water. If liquid contacts eyes,**

additionally seek medical help. Liquid ejected from the battery may cause irritations or burns.

- **Do not use a battery pack or tool that is damaged or modified.** Damaged or modified batteries may exhibit unpredictable behavior resulting in fire, explosion or risk of injury.
- **Do not expose a battery pack or tool to fire or excessive temperature.** Exposure to fire or temperature above 130 °C (265 °F) may cause explosion.
- **Follow all charging instructions and do not charge the battery pack or tool outside the temperature range specified in the instructions.** Charging improperly or at temperatures outside the specified range may damage the battery and increase the risk of fire.

Service

- **Have your power tool serviced by a qualified repair person using only identical replacement parts.** This will ensure that the safety of the power tool is maintained.
- **Never service damaged battery packs.** Service of battery packs should only be performed by the manufacturer or authorized service providers.

Hedge trimmer safety warnings

- **Keep all parts of the body away from the blade. Do not remove cut material or hold material to be cut when blades are moving.** Blades continue to move after the switch is turned off. A moment of inattention while operating the hedge trimmer may result in serious personal injury.
- **Carry the hedge trimmer by the handle with the blade stopped and taking care not to operate any power switch.** Proper carrying of the hedge trimmer will decrease the risk of inadvertent starting and resultant personal injury from the blades.
- **When transporting or storing the hedge trimmer, always fit the blade cover.** Proper handling of the hedge trimmer will decrease the risk of personal injury from the blades.
- **When clearing jammed material or servicing the unit, make sure all power switches are off and the battery pack is removed or disconnected.** Unexpected actuation of the hedge trimmer while clearing jammed material or servicing may result in serious personal injury.
- **When clearing jammed material or servicing the unit, make sure all power switches are off and the lock-off is in the locked position.** Unexpected actuation of the hedge trimmer while clearing jammed material or servicing may result in serious personal injury.
- **Hold the hedge trimmer by insulated gripping surfaces only, because the blade may contact hidden wiring.** Blades contacting a "live" wire may make exposed metal parts of the hedge trimmer "live" and could give the operator an electric shock.
- **Keep all power cords and cables away from cutting area.** Power cords or cables may be hidden in

hedges or bushes and can be accidentally cut by the blade.

- **Do not use the hedge trimmer in bad weather conditions, especially when there is a risk of lightning.** This decreases the risk of being struck by lightning.

Extended-reach hedge trimmer safety warnings

- **To reduce the risk of electrocution, never use the extended-reach hedge trimmer near any electrical power lines.** Contact with or use near power lines may cause serious injury or electric shock resulting in death.
- **Always use two hands when operating the extended-reach hedge trimmer.** Hold the extended-reach hedge trimmer with both hands to avoid loss of control.
- **Always use head protection when operating the extended-reach hedge trimmer overhead.** Falling debris can result in serious personal injury.

General safety instructions



WARNING: Read the warning instructions that follow before you use the product.

- Remove the battery to prevent the product from being started by accident.
- This product is a dangerous tool if you are not careful or if you use the product incorrectly. This product can cause serious injury or death to the operator or others.
- Do not use the product if it is changed from its initial specification. Do not change a part of the product without approval from the manufacturer. Only use parts that are approved by the manufacturer. Injury or death is a possible result of incorrect maintenance.
- Do a check of the product before use. Refer to *Safety devices on the product on page 8* and *Maintenance on page 15*. Do not use a product that is damaged or does not operate correctly. Do the safety checks, maintenance and service instructions described in this manual.
- Children should be supervised to ensure that they do not play with the product. Never allow children or other persons not trained in the use of the product and/or the battery to use or service it. Local laws may regulate the age of the user.
- Keep the product in a locked area to prevent access for children or persons that are not approved.
- Store the product out of reach of children.
- Your warranty may not cover damage or liability caused by the use of non-authorized accessories or replacement parts.
- Under no circumstances may the design of the product be modified without the permission of the manufacturer. Always use original accessories. Non-

authorized modifications and/or accessories can result in serious personal injury or the death of the operator and others.

- The vibration emission during actual use of the power tool can differ from the declared total value depending on the ways in which the tool is used. Operators should identify safety measures to protect themselves that are based on an estimation of exposure in the actual conditions of use (taking account of all parts of the operating cycle such as the times when the tool is switched off and when it is running idle in addition to the trigger).

Note: National or Local laws can regulate the use. Comply to given regulations.

Safety instructions for operation



WARNING: Read the warning instructions that follow before you use the product.

- If you encounter a situation where you are uncertain how to proceed you should ask an expert. Contact your dealer or your service workshop. Avoid all usage which you consider to be beyond your capability.
- Never use the product if you are fatigued, while under the influence of alcohol or drugs, medication or anything that could affect your vision, alertness, coordination or judgment.
- Working in bad weather is tiring and often brings added risk. Due to the added risk, it is not recommended to use the machine in very bad weather, for instance in dense fog, heavy rain, strong winds, intense cold, risk of lightning, etc.
- Faulty cutting attachment can increase the risk of accidents.
- Do not allow children to use or be in the vicinity of the product. Since the product is easy to start, children may be able to start it if they are not kept under full surveillance. This can mean a risk of serious personal injury. Disconnect the battery when the product is not under close supervision.
- Ensure that no people or animals come closer than 15 meters while you work. When several operators are working in the same area the safety distance should be at least 15 meters. Otherwise there is a risk of serious personal injury. Stop the product immediately if anyone approaches. Never swing the product around without first checking behind you to make sure that no one is within the safety zone.
- Ensure that people, animals or other things can not affect your control of the product or that they do not come in contact with the cutting attachment or loose objects that are thrown out by the cutting attachment. However, do not use the product unless you are able to call for help in the event of an accident.
- Always inspect the working area. Remove all loose objects such as stones, broken glass, nails, steel wire, string, etcetera, that could be thrown out or become wrapped around the cutting attachment.
- Make sure that you can move and stand safely. Check the area around you for possible obstacles (roots, rocks, branches, ditches, etcetera) in case you have to move suddenly. Take great care when you work on sloping ground.
- Keep a good balance and a firm foothold at all times. Do not overreach.
- Deactivate the product before you move to another area. Attach the transport guard when the product is not in use.
- Never put the product down unless you have deactivated it. Do not leave the product unsupervised when it is switched on.
- Remove the battery before you pass the product to another person.
- Make sure that no clothes or parts of the body come in contact with the cutting attachment when the product is activated.
- If anything jams in the cutting attachment while you operate the product, stop and deactivate the product. Make sure that the cutting attachment stops completely. Remove the battery before you clean, inspect or repair the product and/or the cutting equipment.
- Keep your hands and feet away from the cutting attachment until it has stopped completely when the product is deactivated.
- Watch out for stumps of branches that can be thrown out when you cut. Do not cut too close to the ground where stones and other objects can be thrown out.
- Watch out for thrown objects. Always wear approved eye protection. Never lean over the cutting attachment guard. Stones, rubbish, etc., can be thrown up into the eyes which can cause blindness or serious injury.
- Listen out for warning signals or shouts when you wear hearing protection. Always remove your hearing protection as soon as the product stops.
- Never work from a ladder, stool or any other raised position that is not fully secured.
- This machine produces an electromagnetic field during operation. This field may under some circumstances interfere with active or passive medical implants. To reduce the risk of serious or fatal injury, we recommend persons with medical implants to consult their physician and the medical implant manufacturer before operating this machine.
- Always hold the product with both hands. Hold the product on the right side of your body.
- Always stop the product, remove the battery and make sure that the cutting equipment does not rotate before you remove material that is wound around the blade shaft or caught between the guard and the cutting attachment.

- The electromagnetic field during operation can interfere with the active or passive medical implants. The persons with medical implants speak to your physician and the medical implant manufacturer before operating this product.
- Hold the weight of the product with the harness to make it easy to operate.
- Long-term exposure to noise can result in permanent hearing impairment. Husqvarna recommends that operators use approved hearing protection.
- Never use a product that has been modified in any way from its original specification.
- Never use a product that is faulty. Carry out the safety checks, maintenance and service instructions described in this manual. Some maintenance and service measures must be carried out by trained and qualified specialists. See instructions under the maintenance heading.
- Carry out an overall inspection of the product before use. See the maintenance schedule.
- Never allow anyone else to use the machine without first ensuring that they have read and understood the contents of the operator's manual.
- Check the working area for foreign objects such as electricity cables and animals, etc, or other objects that could damage the cutting attachment, such as metal items.
- Faulty blades can increase the risk of accidents.

Personal protective equipment



WARNING: Read the warning instructions that follow before you use the product.

- Always use approved personal protective equipment when you use the product. Personal protective equipment cannot fully prevent injury but it decreases the degree of injury if an accident does occur. Let your dealer help you select the right equipment.
- Use a protective helmet where there is a risk of falling objects.
- Long term exposure to noise can result in damaged hearing. In general, battery powered products are relatively quiet but damage can result from a combination of noise level and long usage. Husqvarna recommends that operators use hearing protectors when using products for a longer coherent time of a day. Continual and regular users should have their hearing checked regularly.



WARNING: Hearing protectors limit the ability to hear sounds and warning signals.

- Use approved eye protection. If you use a visor, you must also use approved protective goggles. Approved protective goggles must comply with the

ANSI Z87.1 standard in the USAs or EN 166 in EU countries.

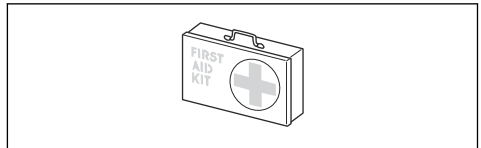
- Use a visor for face protection. A visor is not enough for protection of the eyes.



- Use gloves when necessary, for example when you attach, examine or clean the cutting equipment.
- Use sturdy non-slip boots or shoes.
- Use clothing made of a strong fabric. Always use heavy, long pants and long sleeves. Do not use loose clothing that can catch on twigs and branches. Do not wear jewelry, short pants, sandals or go with bare feet. Put your hair up safely above shoulder level.



- Keep first aid equipment close at hand.



Safety devices on the product



WARNING: Read the warning instructions that follow before you use the product.

In this section the product's safety features, its purpose and how checks and maintenance should be carried out to ensure that it operates correctly. See instructions under the heading *Product overview on page 2* to find where these parts are located on your product.

The life span of the product can be reduced and the risk of accidents can increase if product maintenance is not carried out correctly and if service and/or repairs are not carried out professionally. If you need further information please contact your nearest servicing dealer.



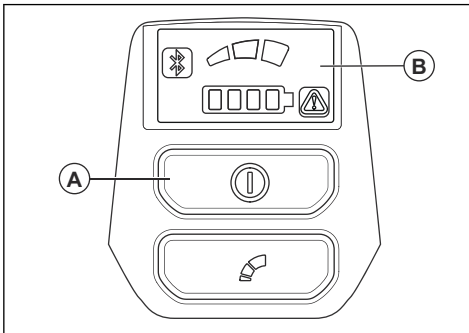
WARNING: Never use a product with damaged safety components. The product's safety equipment must be inspected and maintained as described in this section. If your product fails any of these checks, contact your service agent to get it repaired.



CAUTION: All servicing and repair work on the machine requires special training. This is especially true of the machine's safety equipment. If your machine fails any of the checks described below you must contact your service agent. When you buy any of our products we guarantee the availability of professional repairs and service. If the retailer who sells your machine is not a servicing dealer, ask him for the address of your nearest service agent.

To do a check of the user interface

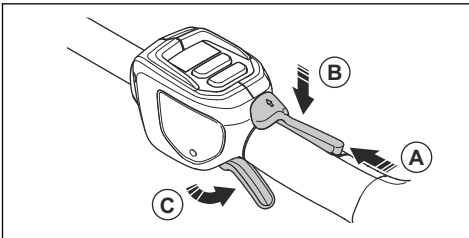
1. Press and hold the start/stop button (A).
 - a) The product is on when the display (B) comes on.



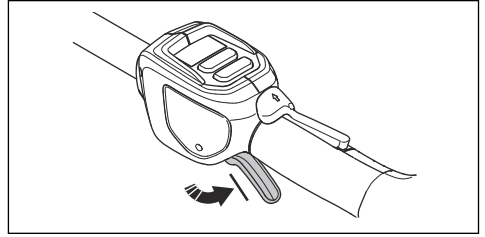
- b) The product is off when the display goes off.
2. If the warning indicator on the display is on or flashes, refer to *Troubleshooting on page 17*.

To do a check of the power trigger lockout

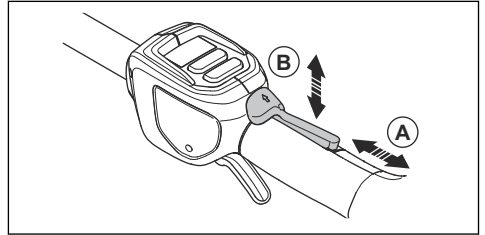
The power trigger lockout is designed to prevent accidental operation. When you push the power trigger lockout forward (A) and then press the power trigger against the handle (B), the power trigger (C) is released. When you release the handle, the power trigger and the power trigger lockout both move back to their original positions. This movement is operated by three independent springs.



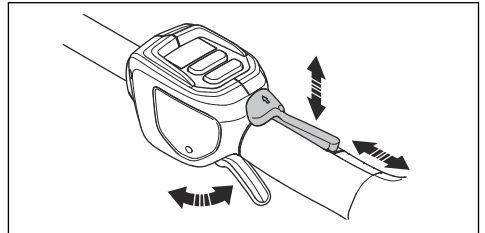
1. Make sure that the power trigger is locked when the lock is in its original position.



2. Push the power trigger lockout forward (A) and down. Hold the power trigger lockout against the handle (B) and make sure that it returns to its original position when you release it.



3. Make sure that the power trigger and the power trigger lockout moves freely and that the return springs operate properly.



4. Start the product, refer to *To start the product on page 12*.
5. Push the power trigger fully to apply full speed.
6. Release the power trigger and make sure that the cutting attachment stops and remains still.

To do a check of the bevel gear and gearbox



WARNING: To prevent burn injuries, let the product become cool before you touch the bevel gear and gearbox.

- Do a visual check for damage and deformation.

To do a check of the hand guard

The hand guard prevents hands from accidental contact with the blades.

1. Stop the product.

2. Remove the battery.
3. Check that the hand guard is attached correctly.
4. Examine the hand guard for damages.

To do a check of the blades

1. Stop the product.
2. Remove the battery.
3. Put on protective gloves.
4. Make sure that the blades are not damaged or bent. Replace the blades if they are damaged or bent.

Battery safety



WARNING: Read the warning instructions that follow before you use the product.

- Only use the BLi200 or 40-B220X battery. Refer to *Approved batteries on page 20*. The battery is software encrypted.
- Use the BLi200 or 40-B220X battery that is rechargeable as a power supply for the related Husqvarna products only. To prevent injury, do not use the battery as a power supply for other devices.
- Risk of electrical shock. Do not connect the battery terminals to keys, coins, screws or other metal. This can cause a short circuit of the battery.
- Do not use non-rechargeable batteries.
- Do not put objects into the air slots of the battery.
- Keep the battery away from sunlight, heat or open flame. The battery can cause burns and/or chemical burns.
- Keep the battery away from rain and wet conditions.
- Keep the battery away from microwaves and high pressure.
- Do not try to disassemble or break the battery.
- If the battery leaks, do not let the liquid touch your body or eyes. If you have touched the liquid, clean the area with a large quantity of water and soap, and get medical aid. If you get liquid in your eyes, do not rub but flush with water for a minimum of 15 minutes and get medical aid.
- Use the battery in temperatures between -10 °C (14 °F) and 40 °C (114 °F).
- Do not clean the battery or the battery charger with water. Refer to *To clean the product, the battery and the battery charger on page 16*.
- Do not use a defective or damaged battery.
- Keep batteries in storage away from metal objects such as nails, screws or jewelry.
- Keep the battery away from children.

Battery charger safety



WARNING: Read the warning instructions that follow before you use the product.

- Risk of electrical shock or short circuit if the safety instructions are not obeyed.
- Use approved grounded mains socket that are not damaged.
- Do not use other battery chargers than the one supplied for your product. Only use Husqvarna QC chargers when you charge Husqvarna replacement batteries BLi.
- Do not try to disassemble the battery charger.
- Do not use a defective or damaged battery charger.
- Do not lift the battery charger by the power cord. To disconnect the battery charger from a mains socket, pull out the plug. Do not pull the power cord.
- Keep all cables and extension wires away from water, oil and sharp edges. Make sure that the cable is not caught between doors, fences or similar objects.
- Do not use the battery charger near flammable materials or materials that can cause corrosion. Make sure that there are no covers on the battery charger. Pull out the plug to the battery charger if there is smoke or fire.
- Only charge the battery indoors in a location with good airflow and away from sunlight. Do not charge the battery outdoors. Do not charge the battery in wet conditions.
- Only use the battery charger where the temperature is between 5 °C (41 °F) and 40 °C (104 °F). Use the charger in an environment which has a good airflow, dry and free from dirt.
- Do not put objects into the cooling slots of the battery charger.
- Do not connect the battery charger terminals to metal objects as this can short circuit the battery charger.
- Only use three-wire outdoor extension wires that have three-prong grounding plugs and grounding receptacles that accept the appliance's plug.
- Use a residual-current device (RCD) for increased safety. A residual-current device is installed to prevent injuries from an electrical fault.
- When you operate a power tool outdoors, use an extension wire applicable for outdoor operation. Use of a wire applicable for outdoor operation decreases the risk of electrical shock.
- Regularly make sure that the connection cord of the battery charger is not damaged and that there are no cracks in it.
- Examine extension wires regularly and replace them if damaged.

Safety instructions for maintenance



WARNING: Read the warning instructions that follow before you do maintenance on the product.

- Remove the battery before you do maintenance, other checks or assemble the product.
- The operator must only do the maintenance and servicing shown in this operator's manual. Turn to your servicing dealer for maintenance and servicing of a larger extension.
- Do not clean the battery or the battery charger with water. Strong detergent can cause damage to the plastic.
- If you do not do maintenance, it decreases the life cycle of the product and increases the risk of accidents.

- Special training is necessary for all servicing and repair work, especially for the safety devices on the product. If not all checks in this operator's manual are approved after you have done maintenance, turn to your servicing dealer. We guarantee that there are professional repairs and servicing available for your product.
- Keep the teeth of the blade correctly sharpened. Obey our recommendations. Also refer to the instructions on the blade package.
- Only use original spare parts.
- Always use heavy duty gloves when you repair the cutting attachment. The blades are very sharp and can easily cause injuries.

Assembly

Introduction

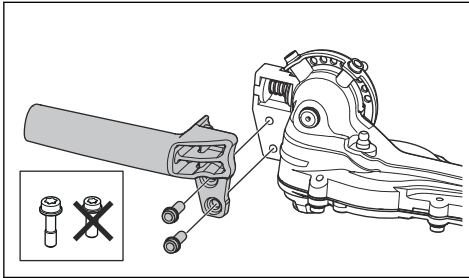
This section describes how to assemble and adjust the product.



WARNING: Before you assemble the product, read the safety chapter and the assembly instructions.

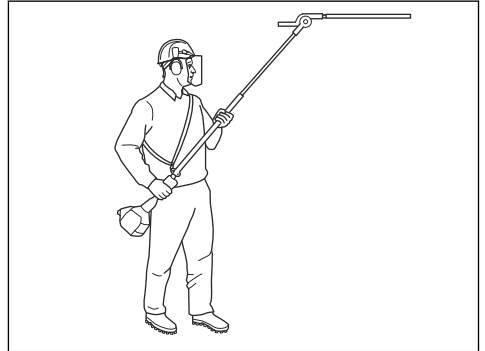
To install the handle

- Install the handle with the 2 screws.



the product. The harness decreases the risk of tiredness in your body.

1. Put on the harness.
2. Attach the product to the harness support hook.
3. Adjust the length of the harness until the support hook is level with your hip.



To adjust the harness

Always use the harness when you operate the product. The harness gives maximum control during operation of

Operation

Introduction



WARNING: Before you operate the product, you must read and understand the safety chapter.

To connect the battery charger

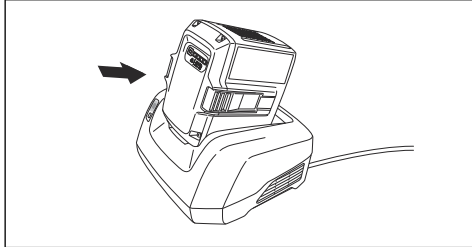
1. Connect the battery charger to the voltage and frequency that is specified on the rating plate.
2. Put the plug in a grounded socket outlet. The LED on the battery charger flashes green one time.

Note: The battery does not charge if the battery temperature is more than 50 °C/122 °F. If the temperature is more than 50 °C/122 °F, the battery charger makes the battery become cool before the battery charges.

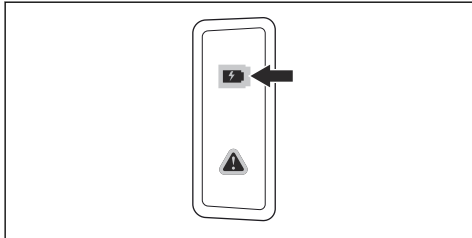
To charge the battery

Note: Charge the battery if it is the first time that you use it. A new battery is only 30% charged.

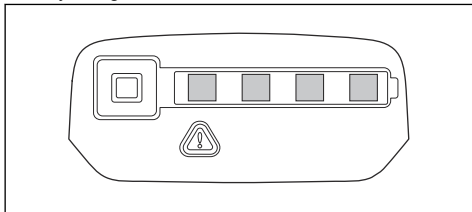
1. Make sure that the battery is dry.
2. Put the battery in the battery charger.



3. Make sure that the green charging light on the battery charger comes on. That means that the battery is connected correctly to the battery charger.



4. When all LEDs on the battery come on, the battery is fully charged.



5. To disconnect the battery charger from the mains socket, pull the plug. Do not pull the cable.
6. Remove the battery from the battery charger.

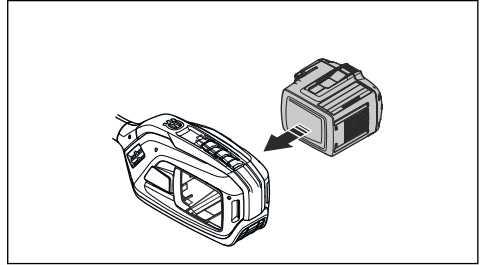
Note: Refer to the battery and battery charger manuals for more information.

To connect the battery to the product



WARNING: Only use Husqvarna original batteries with the product.

1. Make sure that the battery is fully charged.
2. Push the battery into the battery holder of the product. The battery locks into position when you hear a click.



CAUTION: If the battery does not move easily into the battery holder, the battery is not installed correctly. This can cause damage to the product.

3. Make sure that the battery is installed correctly.

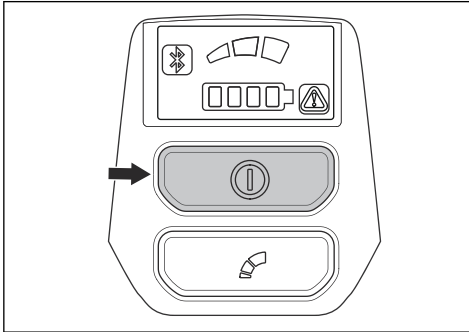
To do before you start the product

1. Examine the work area. Remove objects that can be thrown out.
2. Examine the cutting attachment. Make sure that the blades are sharp, and have no cracks and damages.
3. Make sure that the product works correctly. Examine that all nuts and screws are tight.
4. Make sure that the handle and safety devices are not damaged and are attached correctly. Do not operate a product with missing parts or is changed from its initial specification. Use protective gloves when it is necessary.
5. Make sure that the covers are not damaged and are attached correctly, before you operate the product.

To start the product

1. Put the product in the start position.

2. Push and hold the start button until the green LED comes on.

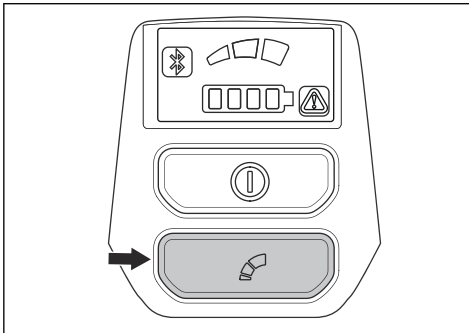


3. Use the power trigger to control the speed.

To limit the maximum speed with the mode button

The product has a mode button. With the mode button the operator can limit the maximum speed. The mode button has 3 speed levels. A lower level increases the time of operation for the product. Use level 1 and level 2 if the operation does not require full speed/full power. If the operation condition requires full speed/full power, use level 3. Do not use a higher level than necessary for the operation.

1. Push the mode button to set a limit to the maximum speed. The white LEDs comes on to show that the function is on.



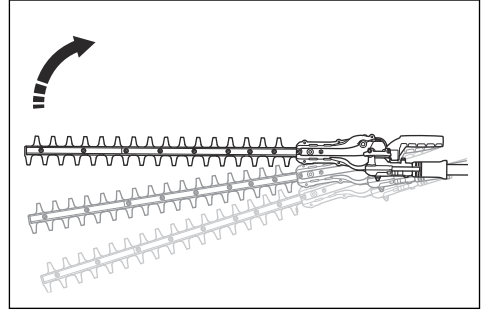
2. Push the Mode button again to choose the next speed level.

Automatic shutdown function

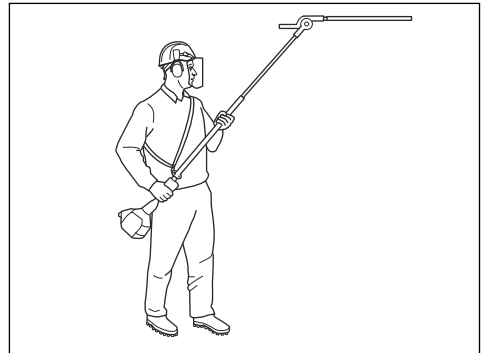
The product has an automatic shutdown function that stops the product if it is not used. The green LED for start/stop indication goes off and the product stops after 30 minutes.

To operate the product

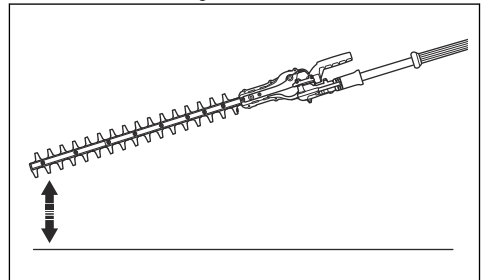
1. Start near the ground and move the product up along the hedge when you cut the sides.



2. Adjust the speed to align with the work load.
3. Make sure that the motor does not touch the hedge.
4. Hold the product near your body for a stable work position.



5. Make sure that the end of the cutting equipment does not touch the ground.

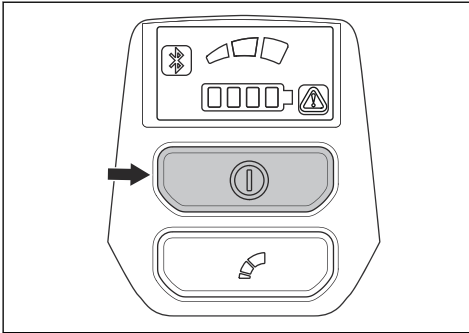


6. Be careful and work slowly until all the branches are correctly cut.

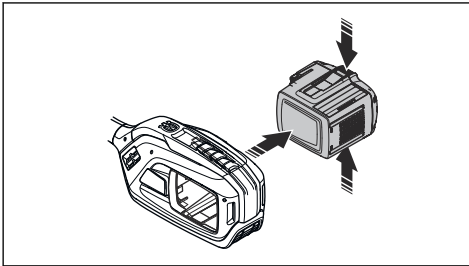
To stop the product

1. Release the power trigger or the power trigger lockout.
2. Put the product in the stop position.

3. Push the stop button.



4. Push the release buttons on the battery and pull the battery out.



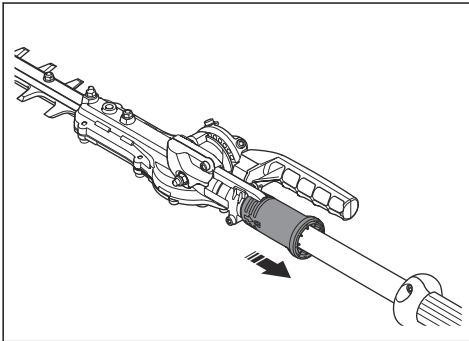
To adjust the angle of the cutting unit

The cutting unit can be adjusted in 10 different positions.



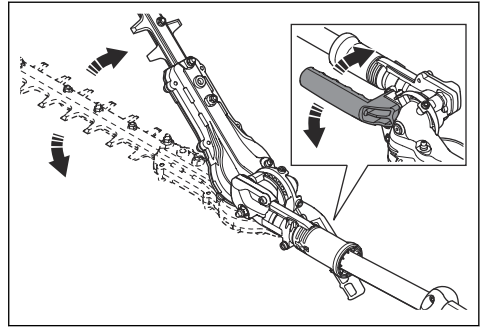
WARNING: Do not operate the cutting unit when you adjust the angle.

1. Stop the product.
2. Pull down the position adjustment handle.

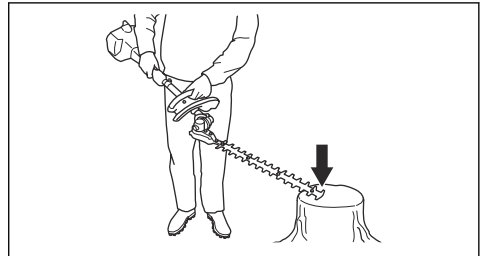


3. Tilt the cutting unit to the correct position. Use 1 of the procedures that follow.

a) Use the handle.



b) Push the end of the cutting unit against a stable surface.



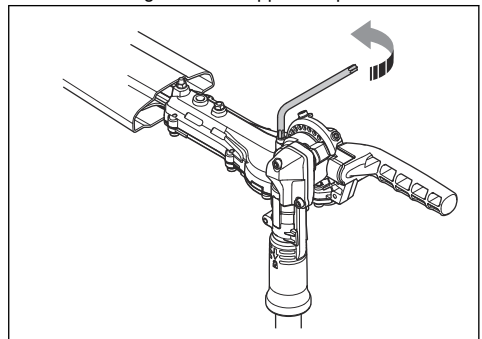
4. Release the position adjustment handle to lock the cutting unit.
5. Push the cutting unit against the hedge to make sure that it is locked.

To adjust the friction for angle adjustment



WARNING: Do not operate the cutting unit when you adjust the friction.

1. Stop the product.
2. Install the transport guard on the cutting unit
3. Pull down the position adjustment handle.
4. Tilt the cutting unit to the applicable position.



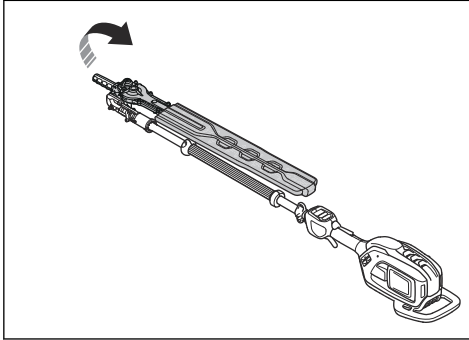
- Adjust the screw to set the friction.
- Set the cutting unit in different positions to try the friction.

To set the product in transport position



WARNING: Do not start the product when the product is in transport position.

- Stop the product.
- Install the transport guard on the cutting unit.
- Pull down the position adjustment handle.
- Fold the cutting unit to make it parallel to the shaft.



Husqvarna Fleet Services™

Husqvarna Fleet Services™ is a cloud solution that gives the commercial fleet manager an overview of all products. Husqvarna Fleet Services™ can be added to 525iHE3 and 525iHE4. For more information about Husqvarna Fleet Services™, refer to www.husqvarna.com.

Bluetooth® wireless technology

Products with built-in Bluetooth® wireless technology can connect to mobile devices and enables additional functions.

The symbol for *Bluetooth®* wireless technology comes on when your mobile device is connected to the product.



To connect to the product with Husqvarna Fleet Services™

- Download the Husqvarna Fleet Services™ app to your mobile device.
- Log on to the Husqvarna Fleet Services™ app.
- Follow the instructions about how to pair the product with Husqvarna Fleet Services™.

Maintenance

Introduction



WARNING: Read and understand the safety chapter before you do maintenance on the product.

Maintenance schedule



WARNING: Remove the battery before you do maintenance.

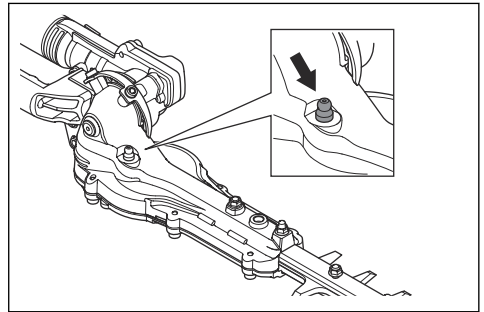
Maintenance	Before use	Weekly	Monthly
Clean the external parts of the product.	X		
Examine that the start and stop switch works correctly and is not damaged.	X		
Make sure that the power trigger and the power trigger lockout function correctly from a safety point of view.	X		
Make sure that all controls work and are not damaged.	X		
Make sure that the cutter blade and cutter guard have no cracks and that they are not damaged. Replace the cutter blade or the cutter guard if they have cracks or if they are hit.	X		
Make sure that the cutter blade is not bent. Replace the cutter blade if it is bent.	X		
Make sure that the hand guard is not damaged. Replace the guard if it is damaged.	X		
Make sure that the screws and nuts are tight.	X		

Maintenance	Before use	Weekly	Monthly
Make sure that the battery is not damaged.	X		
Make sure that the battery is charged.	X		
Make sure that the battery charger is not damaged.	X		
Make sure that the position lock of the cutting deck is not damaged and operates correctly.	X		
Make sure that the screws that hold the cutter blades together are correctly tightened.		X	
Do a check of the connections between the battery and the product. Do a check of the connection between the battery and the battery charger.			X

To examine the battery and the battery charger

1. Examine the battery for damages, for example cracks.
2. Examine the battery charger for damages, for example cracks.
3. Make sure that the connection cord of the battery charger is not damaged and that there are no cracks in it.

- Use Husqvarna special grease. Speak to your servicing dealer for more information.
- Add the grease through the grease nipple.



CAUTION: Do not fill the gearbox fully.

To clean the product, the battery and the battery charger

1. Clean the product with a dry cloth after use.
2. Clean the battery and battery charger with a dry cloth. Keep the battery guide tracks clean.
3. Make sure that the terminals on the battery and the battery charger are clean before the battery is put in the battery charger or the product.

To clean and lubricate the blades

1. Clean the blades from unwanted materials before and after you use the product.
2. Lubricate the blades before long periods of storage.

Note: Speak to your servicing dealer for more information about recommended cleaning agents and lubricants.

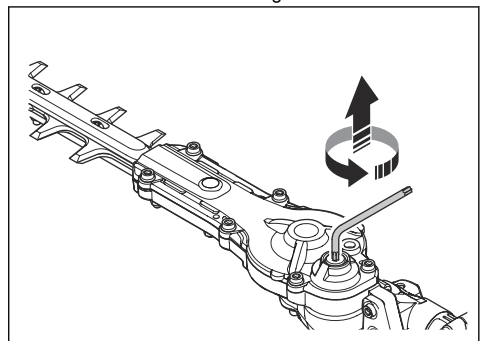
To lubricate the bevel gear and gearbox



WARNING: To prevent burn injuries, let the product become cool before you touch the bevel gear and gearbox.

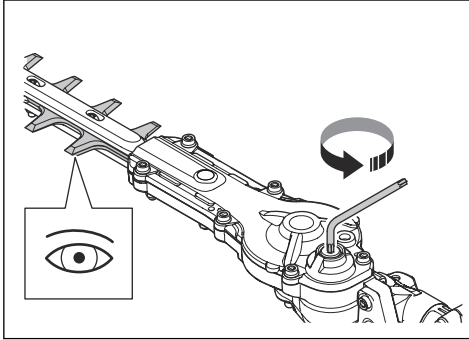
To examine the blades

1. Remove the screw from the gearbox.



Note: New products are first filled with grease after approximately 20 hours of operation.

- Put the T27 Torx key in the gearbox and turn clockwise and counterclockwise. Make sure that the blades move freely.



- Examine the edges of the blades for damages and deformation.
- Use a file to remove burrs on the blades.
- Install in the opposite sequence.

Troubleshooting

Blade

Problem	Possible causes	Recommended step
The blade moves slowly or does not move.	The blade is blocked or it is damaged.	Clean the blades from unwanted materials. Refer to <i>To clean and lubricate the blades on page 16</i> . Remove burrs from the blade, refer to <i>To examine the blades on page 16</i> . Replace the blade if it is damaged.
The blade does not cut easily.	The blade is not sharp or it is damaged.	Sharpen the blade, refer to <i>To examine the blades on page 16</i> . Replace the blade if it is damaged.
The blade becomes hot.	There is friction between the blades.	Remove burrs from the blade and lubricate the blade. Refer to <i>To examine the blades on page 16</i> .

User interface

Problem	Possible faults	Possible action
Battery LED indicator flashes or-ange	Low battery voltage.	Charge the battery.
Error LED flashes red	Overload.	The cutting attachment is jammed. Stop the product. Remove the battery. Clean the cutting attachment from unwanted materials.
	Temperature deviation.	Let the product cool down.
	The power trigger and the activate button are pressed at the same time.	Release the power trigger and the product is active.
The product does not start	Dirt in the battery connectors.	Clean the battery connectors with compressed air or a soft brush.

Problem	Possible faults	Possible action
Error LED is lit with red light	The product needs servicing.	Contact your servicing agent.

Battery

Problem	Possible faults	Possible solution
Green LED flashes.	Low battery voltage.	Charge the battery.
Red error LED flashes.	The battery is empty.	Charge the battery.
	Temperature deviation.	Use the battery in temperatures between -10°C (14°F) and 40°C (104°F).
	Overvoltage.	Remove the battery from the battery charger.
Red error LED comes on.	Cell difference is too much (1V).	Speak to your servicing dealer.

Battery charger

Problem	Possible faults	Possible solution
Red error LED flashes.	Temperature deviation.	Use the battery charger in temperatures between 5 °C (41 °F) and 40 °C (104 °F).
Red error LED comes on.		Speak to your servicing dealer.

Transportation, storage and disposal

Transportation and storage

- The supplied Li-ion batteries obey the Dangerous Goods Legislation requirements.
- Obey the special requirement on package and labels for commercial transportation, including by third parties and forwarding agents.
- Speak to a person with special training in dangerous material before you send the product. Obey all applicable national regulations.
- Use tape on open contacts when you put the battery in a package. Put the battery in the package tightly to prevent movement.
- Remove the battery for storage or transportation.
- Put the battery and the battery charger in a space that is dry and free from moisture and frost.
- Do not keep the battery in an area where static electricity can occur. Do not keep the battery in a metal box.
- Put the battery in storage where the temperature is between 5°C/41°F and 25°C/77°F and away from open sunlight.
- Put the battery charger in storage where the temperature is between 5 °C/41 °F and 45°C/113°F and away from open sunlight.
- Use the battery charger only when the surrounding temperature is between 5°C/41°F and 40°C/104°F.
- Charge the battery 30% to 50% before you put it in storage for long periods.
- Put the battery charger in storage in a space that is closed and dry.
- Keep the battery away from the battery charger during storage. Do not let children and other not approved persons touch the equipment. Keep the equipment in a space that you can lock.
- Clean the product and do a full servicing before you put the product in storage for a long time.
- Use the transportation guard on the product to prevent injuries or damage on the product during transportation and storage.

- Attach the product safely during transportation.

Disposal of the battery, battery charger and product

Symbols on the product or the package of the product means that the product is not domestic waste. Recycle it at a recycling station for electrical and electronic equipment. This helps to prevent damage to the environment and to persons.

Get in touch with your local authorities, domestic waste service or your dealer for more information about how to recycle your product.

Technical data

Technical data

	525iHE3	525iHE4
Motor		
Motor type	Husqvarna E-torq BLDC	Husqvarna E-torq BLDC
Weight		
Weight without battery, lbs/kg	TBD	11.0/5.0
Weight with battery, lbs/kg	TBD	14.1/6.4
Blades		
Type	Double sided	Double sided
Cutting length, inch/mm	TBD	23.6/600
Cutting speed, cuts/min	TBD	4400
Sound levels ¹		
Equivalent sound pressure level at the operator's ear, measured according to EN 62841-4-2, dB(A)	89	88
Vibration levels ²		
Equivalent vibration levels ($a_{hv,eq}$) at handles, measured according to EN ISO 10517, m/s^2 :		
Front/Rear, m/s^2	TBD	5.2/3.4

Approved batteries

Battery	BLi200	40-B220X
Type	Lithium-ion	Lithium-ion
Battery capacity, Ah	5.2	6.0
Nominal voltage, V	36	36
Weight, kg (lb)	1.3 (2.9)	1.4 (3.1)

Approved battery chargers

Battery charger	QC330
Input voltage, V	100-240

¹ Reported data for noise pressure level has a typical statistical dispersion (standard deviation) of 1 dB(A).

² Reported data for vibration level has a typical statistical dispersion (standard deviation) of 1 m/s^2 .

Battery charger	QC330
Frequency, Hz	50-60
Power, W	330

Registered trademarks

The *Bluetooth*[®] word mark and logos are registered trademarks owned by *Bluetooth SIG, inc.* and any use of such marks by Husqvarna is under license.

Contenido

Introducción.....	22	Solución de problemas.....	39
Seguridad.....	24	Transporte, almacenamiento y eliminación de residuos.....	40
Montaje.....	32	Datos técnicos.....	41
Funcionamiento.....	33	Marcas comerciales.....	42
Mantenimiento.....	37		

Introducción

Descripción del producto

Los 525iHE3, 525iHE4 Husqvarna son recortasetos de batería de barra con motores eléctricos.

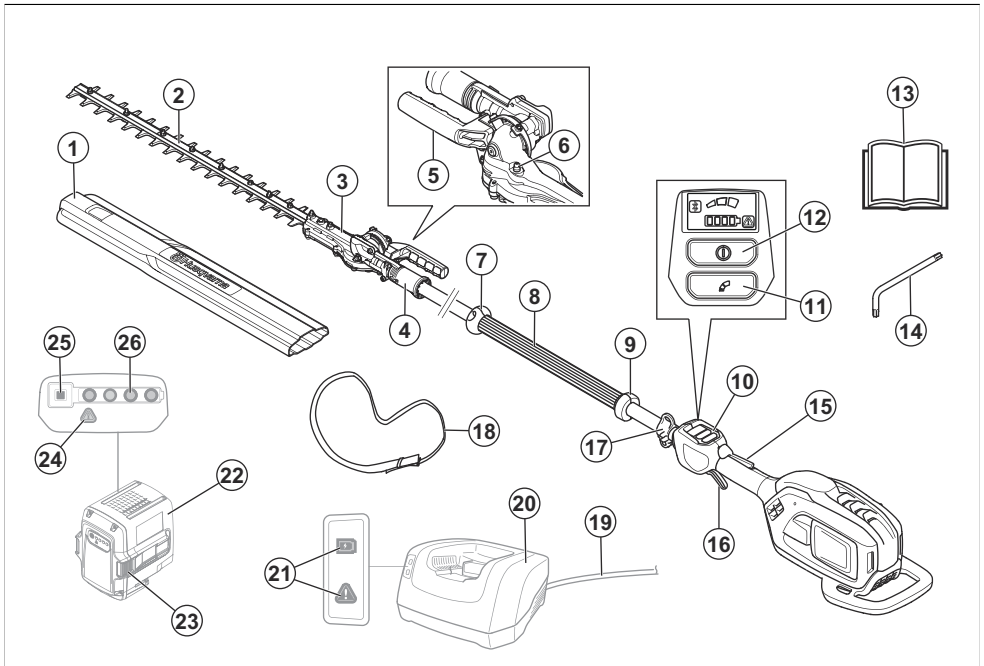
Se realiza un trabajo constante para aumentar su seguridad y la eficiencia durante la operación. Póngase

en contacto con su taller de servicio para obtener más información.

Uso específico

Utilice el producto para cortar ramas grandes y pequeñas. No utilice el producto para otras tareas.

Descripción general del producto



1. Protección para transporte
2. Cuchilla
3. Caja de cambios
4. Mango de ajuste de posición
5. Manilla
6. Boquilla de engrase
7. Protección para la mano
8. Mango delantero

9. Eje
10. Interfaz de usuario
11. Botón de modo de velocidad
12. Botón de inicio/detención
13. Manual del usuario
14. Llave Torx T27
15. Bloqueo del gatillo de alimentación
16. Gatillo de alimentación

17. Gancho de sujeción del arnés
18. Arnés
19. Cable de alimentación para el cargador de batería
20. Cargador de la batería
21. LED de advertencia y encendido
22. Batería
23. Botones de liberación de la batería
24. Luz LED de advertencia
25. Botón del indicador de batería
26. LED indicador del estado de carga

Símbolos en el producto



ADVERTENCIA: Este producto puede ser peligroso y provocar daños graves o fatales al operador o a otras personas. Tenga cuidado y utilice el producto correctamente.



Lea atentamente el manual de instrucciones y asegúrese de que entiende las instrucciones antes de usar este producto.



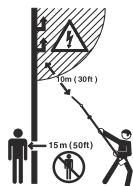
Utilice un casco protector en lugares donde puedan caer objetos sobre usted. Use protección auricular aprobada. Use protección ocular aprobada.



Utilice botas firmes con suelas antideslizantes.



Use guantes protectores homologados.



aaaassxxxx

Este producto no cuenta con un aislamiento eléctrico. Si el producto entra en contacto con el tendido eléctrico de alta tensión o se acerca a él, puede provocar lesiones graves o fatales al operador. La electricidad puede conducirse entre distintos objetos por una curva. A mayor tensión, mayor es la distancia a la que la electricidad puede conducirse. La electricidad también puede conducirse a través de ramas y otros objetos, especialmente si están húmedos. Mantenga siempre una distancia mínima de 10 m/33' entre el producto y el tendido eléctrico de alta tensión o los objetos que se encuentren en contacto con este. Si necesita trabajar cerca del tendido eléctrico, asegúrese de que la alimentación esté apagada antes de comenzar a trabajar. Mantenga una distancia mínima de 15 m/50 pies respecto a las personas o animales a su alrededor durante el funcionamiento.

La placa de características muestra el número de serie. **aaaa** es el año de producción y **ss** es la semana de producción.



Detenga el producto completamente antes de tocar la herramienta de corte.



Detenga el producto completamente antes de tocar la herramienta de corte.



Mantenga todas las partes del cuerpo lejos de las superficies calientes.



Tire de la manija hacia abajo para desbloquear el ajuste del ángulo de la unidad de corte.



Tensión nominal, V



Corriente continua.



El producto tiene protección contra salpicaduras de agua.



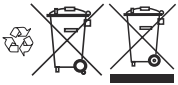
Si el producto cuenta con tecnología inalámbrica Bluetooth®. El símbolo Bluetooth® estará en la etiqueta del nombre del producto.



Desconecte la batería antes de realizar el mantenimiento.

Tenga en cuenta: Otros símbolos o etiquetas en el producto hacen referencia a requisitos de certificación especiales para algunos mercados.

Símbolos en la batería o en el cargador de la batería



Recicle este producto en una planta de reciclaje para equipo eléctrico y electrónico. (Rige solo para Europa)



Transformador a prueba de fallas.



Use y mantenga el cargador de batería únicamente en interiores.



Doble aislamiento.

Propuesta 65 de California

¡ADVERTENCIA!

Este producto contiene o emite productos químicos que pueden causar cáncer, defectos congénitos u otros daños en el sistema reproductor.

Daños en el producto

No somos responsables de los daños a nuestro producto en los siguientes casos:

- el producto se repara incorrectamente
- el producto se repara con piezas que no son del fabricante o que este no autoriza
- el producto tiene un accesorio que no es del fabricante o que este no autoriza
- el producto no se repara en un centro de servicio autorizado o por una autoridad aprobada.

Seguridad

Definiciones de seguridad

Las advertencias, precauciones y notas se utilizan para señalar las piezas particularmente importantes del manual.



ADVERTENCIA: Se utilizan para señalar el riesgo de lesiones graves o mortales para el operador o para aquellos que se encuentren cerca si no se siguen las instrucciones del manual.



AVISO: Se utilizan para señalar el riesgo de dañar la máquina, otros materiales o el área adyacente si no se siguen las instrucciones del manual.

Tenga en cuenta: Se utilizan para entregar más información necesaria en situaciones particulares.

INSTRUCCIONES DE SEGURIDAD IMPORTANTES

Lea todas las instrucciones



ADVERTENCIA: Cuando utilice aparatos eléctricos para jardines, siga siempre las precauciones de seguridad básicas para reducir el riesgo de incendio, sacudida eléctrica y daños personales, como los siguientes:

Advertencias de seguridad generales de la herramienta eléctrica



ADVERTENCIA: Lea todas las advertencias de seguridad y todas las instrucciones. En caso de no seguir las advertencias ni las instrucciones se pueden producir sacudidas eléctricas, incendios o daños graves.

Tenga en cuenta: Guarde todas las advertencias e instrucciones para futuras referencias. El término "herramienta eléctrica" que se indica en las advertencias hace referencia a la herramienta eléctrica (con cable)

operada con corriente o a la herramienta eléctrica operada con baterías (inalámbrica).

Seguridad en el área de trabajo

- **Mantenga el área de trabajo limpia y bien iluminada.** Las áreas desordenadas u oscuras pueden generar accidentes.
- **No opere herramientas eléctricas en atmósferas explosivas, como ante presencia de gases, polvo o líquidos inflamables.** Las herramientas eléctricas generan chispas que pueden encender el polvo o humos.
- **Mantenga alejados a niños y transeúntes mientras opera una herramienta eléctrica.** Las distracciones pueden hacerle perder el control.

Seguridad eléctrica

- **Los enchufes de la herramienta eléctrica deben coincidir con la toma de corriente. Nunca modifique el enchufe de ninguna forma. No utilice enchufes con adaptador con herramientas eléctricas conectadas a tierra.** Los enchufes sin modificaciones y las tomas correspondientes reducen el riesgo de sacudida eléctrica.
- **Evite el contacto corporal con superficies conectadas a tierra, como tuberías, radiadores, estufas y refrigeradores.** Existe un mayor riesgo de sacudida eléctrica si su cuerpo está conectado a tierra.
- **No exponga las herramientas eléctricas a la lluvia o a la humedad.** Si entra agua en una herramienta eléctrica, aumenta el riesgo de sacudida eléctrica.
- **No haga mal uso del cable. Nunca utilice el cable para transportar, tirar o desconectar la herramienta eléctrica. Mantenga el cable alejado del calor, el aceite, los bordes afilados o las piezas en movimiento.** Los cables dañados o enredados aumentan el riesgo de sacudida eléctrica.
- **Cuando opera una herramienta eléctrica en exteriores, utilice un cable de extensión apto para el uso al aire libre.** La utilización de un cable apto para el uso al aire libre reduce el riesgo de sacudida eléctrica.
- **Si no se puede evitar el uso de una herramienta eléctrica en un lugar húmedo, utilice un suministro de corriente residual (RCD, por sus siglas en inglés) protegido.** El uso de un RCD reduce el riesgo de que se produzcan sacudidas eléctricas.

Seguridad personal

- **Permanezca alerta, vea lo que está haciendo y use el sentido común cuando opere una herramienta eléctrica. No utilice una herramienta eléctrica si está cansado o bajo la influencia de drogas, alcohol o medicamentos.** Un momento de distracción a la hora de operar una herramienta eléctrica puede generar daños personales graves.
- **Utilice equipo de protección personal. Siempre utilice protección ocular.** El equipo de protección

(como máscara contra polvo, calzado de seguridad antideslizante, casco o protectores auriculares) que se utiliza en condiciones pertinentes reducirá los daños personales.

- **Evite el arranque accidental. Asegúrese de que el interruptor esté en la posición de apagado antes de conectarse a una fuente de energía o insertar una unidad de batería, así como cuando recoge o transporta la herramienta.** Al transportar herramientas eléctricas con su dedo en el interruptor o al suministrarles corriente con el interruptor en la posición de encendido, se pueden provocar accidentes.
- **Quite cualquier llave de ajuste antes de encender la herramienta eléctrica.** Una llave conectada a una pieza giratoria de la herramienta eléctrica puede causar daños personales.
- **No se estire demasiado. Mantenga una posición y un equilibrio adecuados en todo momento.** Esto permite un mejor control de la herramienta eléctrica en situaciones inesperadas.
- **Vístase adecuadamente. No use ropa suelta ni joyas. Mantenga el pelo y la ropa lejos de las piezas en movimiento.** La ropa suelta, las joyas o el cabello largo pueden quedar atrapados en las partes que se mueven.
- **Si se proporcionan dispositivos para la conexión de instalaciones de recolección y extracción de polvo, asegúrese de que estos se conecten y utilicen de manera pertinente.** El uso de recolectores de polvo puede reducir los peligros relacionados con el polvo.
- **No se confíe de los conocimientos obtenidos a partir del uso frecuente de las herramientas ni pase por alto los principios de seguridad de uso de las herramientas.** Una acción negligente puede causar una lesión grave en una fracción de segundo.

Uso y cuidado de la herramienta eléctrica

- **No fuerce la herramienta eléctrica. Utilice la herramienta eléctrica correcta según su aplicación.** Con la herramienta eléctrica correcta, hará el trabajo mejor y de manera más segura a razón del propósito para la cual fue diseñada.
- **No utilice la herramienta eléctrica si no se puede encender o apagar con el interruptor.** Cualquier herramienta eléctrica que no se puede controlar con el interruptor conlleva peligros y se debe reparar.
- **Desconecte el enchufe de la fuente de energía y/o retire la unidad de batería, si es desmontable, de la herramienta eléctrica antes de hacer ajustes, cambiar accesorios o almacenar la herramienta eléctrica.** Tales medidas de seguridad preventivas reducen el riesgo de arranque accidental de la herramienta eléctrica.
- **Almacene las herramientas eléctricas inactivas fuera del alcance de los niños y no permita que personas que no estén familiarizadas con la herramienta eléctrica o con estas instrucciones operen la herramienta eléctrica.** Las herramientas eléctricas conllevan peligros en manos de usuarios inexpertos.

- **Realice mantenimiento en las herramientas eléctricas y los accesorios. Revise en busca de atascamiento o desalineación de las piezas móviles, rotura de piezas o cualquier otra condición que pueda afectar el funcionamiento de la herramienta eléctrica. Si se daña, repare la herramienta eléctrica antes de su uso.** Muchos de los accidentes se deben a herramientas eléctricas con un mal mantenimiento.
- **Mantenga las herramientas de corte afiladas y limpias.** Las herramientas de corte con un mantenimiento correcto y bordes cortantes afilados son menos propensas a atascamientos y más fáciles de controlar.
- **Utilice la herramienta eléctrica, los accesorios, las barrenas, etc. de acuerdo con estas instrucciones, conforme a las condiciones de trabajo y la tarea que se debe realizar.** El uso de la herramienta eléctrica en operaciones distintas de las previstas podría generar una situación peligrosa.
- **Mantenga los mangos y las superficies de agarre secos, limpios y sin grasa ni aceite.** Los mangos y las superficies de agarre resbaladizas no permiten un manejo seguro ni el control de la herramienta en situaciones imprevistas.

Uso y cuidado de la herramienta a batería

- **Recargue únicamente con el cargador especificado por el fabricante.** Un cargador apto para un tipo de unidad de batería puede implicar riesgo de incendio si se usa con otra unidad de batería distinta.
- **Utilice las herramientas eléctricas únicamente con las unidades de batería específicas para ellas.** El uso de otras baterías puede implicar riesgo de lesiones e incendio.
- **Cuando la unidad de batería no esté en uso, manténgala alejada de otros objetos metálicos, como sujetapapeles, monedas, llaves, clavos, tornillos u otros objetos metálicos pequeños que puedan provocar una conexión entre los terminales.** Si hace un puente entre los terminales de la batería, puede causar quemaduras o un incendio.
- **En condiciones extremas, la batería puede expulsar líquido; evite el contacto. Si se produjera un contacto accidentalmente, enjuáguese con agua. Si el líquido entra en contacto con los ojos, además, acuda a un médico.** El líquido expulsado de la batería puede causar irritaciones o quemaduras.
- **No utilice una unidad de batería ni una herramienta dañada o modificada.** Las baterías dañadas o modificadas pueden presentar un comportamiento impredecible que puede ocasionar incendios, explosiones o riesgo de lesiones.
- **No exponga una batería o herramienta al fuego o a temperaturas excesivas.** La exposición al fuego o a temperaturas superiores a 130 °C (265 °F) puede causar una explosión.
- **Siga todas las instrucciones de carga y no cargue la unidad de batería ni la herramienta con un valor que no se encuentre dentro del rango de temperatura**

especificado en las instrucciones. Si realiza la carga de manera inadecuada o a temperaturas que no se encuentren dentro del rango especificado puede dañar la batería y aumentar las posibilidades de que se produzca un incendio.

Servicio

- **Asegúrese de que un experto calificado realice la reparación de la herramienta eléctrica solo con piezas de repuesto idénticas.** Esto garantizará que se mantenga la seguridad de la herramienta eléctrica.
- **Nunca realice servicio a unidades de baterías dañadas.** Solo el fabricante o los proveedores de servicios autorizados deben realizar el servicio de las unidades de batería.

Advertencias de seguridad del cortasetos

- **Mantenga todas las partes del cuerpo lejos de la cuchilla. No retire el material cortado ni retenga el material que se cortará mientras las cuchillas se muevan.** Las cuchillas se siguen moviendo después de apagar el interruptor. Un momento de distracción a la hora de operar un cortasetos puede generar daños personales graves.
- **Transporte el cortasetos por el mango con la cuchilla detenida y con cuidado de no accionar ningún interruptor de encendido.** El transporte adecuado del cortasetos reducirá el riesgo de arranque accidental y de daños personales resultantes de las cuchillas.
- **Cuando transporte o almacene el cortasetos, coloque siempre la cubierta de la cuchilla.** El manejo adecuado del cortasetos reducirá la posibilidad de daños personales causados por las cuchillas.
- **Cuando extraiga material atascado o realice el mantenimiento de la unidad, asegúrese de que todos los interruptores estén apagados y de que la unidad de batería se haya retirado o esté desconectada.** Si el cortasetos se acciona inesperadamente durante la extracción de material atascado o el mantenimiento, puede generar daños personales graves.
- **Cuando extraiga material atascado o realice el mantenimiento en la unidad, asegúrese de que todos los interruptores estén apagados y de que el bloqueo esté en la posición de bloqueo.** Si el cortasetos se acciona inesperadamente durante la extracción de material atascado o el mantenimiento, puede generar daños personales graves.
- **Manipule el cortasetos solo en superficies de sujeción aisladas, ya que la cuchilla puede entrar en contacto con cableado oculto.** Si las cuchillas entran en contacto con un cable "con corriente", puede provocar que algunas piezas metálicas expuestas del cortasetos tengan "corriente" también, lo que generaría una sacudida eléctrica al usuario.
- **Mantenga todos los hilos y cables de alimentación alejados de la zona de corte.** Los hilos o cables de alimentación pueden quedar ocultos en los

arbustos o setos y la cuchilla los puede cortar accidentalmente.

- **No utilice el cortasetos en condiciones meteorológicas adversas, especialmente cuando haya un pronóstico de tormentas eléctricas.** Esto disminuye el riesgo de ser alcanzado por un rayo.

Advertencias de seguridad del cortasetos de alcance extendido

- **Para reducir el riesgo de electrocución, nunca utilice el cortasetos de alcance extendido cerca del tendido eléctrico.** El contacto con o cerca de las líneas de alta tensión puede provocar daños graves o sacudidas eléctricas fatales.
- **Siempre utilice ambas manos cuando opere el cortasetos de alcance extendido.** Sostenga el cortasetos de alcance extendido con ambas manos para evitar una pérdida de control.
- **Siempre utilice una protección para la cabeza y el rostro cuando opere el cortasetos de alcance extendido sobre la cabeza.** La caída de residuos puede provocar daños personales.

Instrucciones generales de seguridad



ADVERTENCIA: Lea estas instrucciones de advertencia antes de usar el producto.

- Retire la batería para evitar que el producto se encienda por accidente.
- Este producto puede ser una herramienta peligrosa si no se maneja con cuidado o si utiliza el producto de forma incorrecta. Este producto puede causar daños graves o fatales al operador o a otras personas.
- No utilice el producto si cambia su especificación inicial. No cambie una parte del producto sin la aprobación del fabricante. Utilice solamente las piezas que están aprobadas por el fabricante. Las lesiones graves o fatales son un posible resultado de un mantenimiento incorrecto.
- Revise el producto antes de utilizarlo. Consulte *Dispositivos de seguridad en el producto en la página 29* y *Mantenimiento en la página 37*. No utilice un producto que esté dañado o que no funcione correctamente. Realice los controles de seguridad, el mantenimiento y las instrucciones de servicio descritos en este manual.
- Se debe supervisar a los niños para asegurarse de que no jueguen con el aparato. Nunca permita que los niños u otras personas no capacitadas para el uso del producto o la batería usen o revisen la máquina. Las leyes locales pueden regular la edad del usuario.
- Mantenga el producto en un área cerrada para evitar que los niños u otras personas sin autorización puedan acceder a él.
- Almacene el producto fuera del alcance de los niños.

- Es posible que su garantía no cubra daños o responsabilidades causadas por el uso de accesorios o piezas de repuesto no autorizados.
- Bajo ninguna circunstancia se puede modificar el diseño del producto sin autorización del fabricante. Siempre utilice accesorios originales. Las modificaciones o los accesorios no autorizados pueden provocar daños personales graves o fatales para el operador u otras personas.
- La emisión de vibración durante el uso de la herramienta eléctrica puede ser diferente del valor total indicado en función de la forma en que se utilice la herramienta. El usuario debe conocer las medidas de seguridad para protegerse a sí mismo, las que se basan en una estimación de la exposición en condiciones de uso reales (teniendo en cuenta todas las partes del ciclo de funcionamiento, como el período en que la herramienta está apagada y cuando esté funcionando en ralentí además del gatillo).

Tenga en cuenta: El uso puede estar regulado por legislaciones nacionales o locales. Cumpla con las normas indicadas.

Instrucciones de seguridad para el funcionamiento



ADVERTENCIA: Lea atentamente las instrucciones de advertencia siguientes antes de usar el producto.

- Si se encuentra en una situación en la que no está seguro de cómo proceder, debe preguntarle a un experto. Póngase en contacto con el distribuidor o el taller de servicio. Evite todos los usos que considere que están más allá de su capacidad.
- Nunca utilice el producto si está cansado, bajo la influencia del alcohol o las drogas, medicamentos o cualquier cosa que pudiera afectar su visión, atención, coordinación o criterio.
- Trabajar en condiciones meteorológicas adversas resulta agotador y generalmente presenta más riesgos. Debido a riesgos adicionales, no se recomienda utilizar el producto en condiciones meteorológicas muy adversas, como niebla densa, lluvia copiosa, vientos fuertes, frío intenso o con posibilidades de relámpagos, etc.
- Un equipo de corte defectuoso puede aumentar el riesgo de accidentes.
- No permita que los niños utilicen o se acerquen al producto. Ya que el producto es fácil de encender, los niños podrían hacerlo si no se les vigila lo suficiente. Esto puede significar riesgo de daños personales graves. Desconecte la batería cuando el producto no cuente con la supervisión adecuada.
- Asegúrese de que ninguna persona o animal se acerque a menos de 15 metros mientras trabaja. Cuando haya varios usuarios trabajando en el

mismo lugar, la distancia de seguridad debe ser de al menos 15 metros. De lo contrario, existe el riesgo de daños personales graves. Detenga el producto de inmediato si alguien se acerca. Nunca balancee el producto sin mirar primero hacia atrás para asegurarse de que nadie se encuentre dentro de la zona de seguridad.

- Asegúrese de que ni personas, ni animales ni ningún objeto o elemento puedan influir en su control del producto o que no entren en contacto con el equipo de corte u objetos flojos que son lanzados por el equipo de corte. No obstante, no utilice el producto a menos que pueda pedir ayuda en caso de accidente.
- Siempre inspeccione la zona de trabajo. Quite todos los objetos sueltos, como piedras, cristales rotos, clavos, alambres de acero, cuerdas, etcétera., que podrían ser lanzados o enredarse en el equipo de corte.
- Cerciórese de que puede caminar y mantenerse de pie con seguridad. Revise el área a su alrededor para detectar posibles obstáculos (raíces, piedras, ramas, zanjas, etc.) en caso de que tenga que moverse repentinamente. Tenga sumo cuidado al trabajar en terreno inclinado.
- Mantenga un buen equilibrio en todo momento. No se estire demasiado.
- Apague el producto antes de pasar a otra área. Fije la protección para transporte cuando el producto no esté en uso.
- Nunca ponga el producto en el suelo, a menos que se encuentre desactivado. No deje el producto sin supervisión cuando se encuentre activado.
- Retire la batería antes de pasar el producto a otra persona.
- Asegúrese de que ninguna prenda de vestir o parte del cuerpo entre en contacto con el equipo de corte cuando el producto se encuentre activado.
- Si algo se atasca en el equipo de corte durante la operación, detenga el trabajo y desactive el producto. Asegúrese de que el equipo de corte se detenga por completo. Retire la batería antes de limpiar, inspeccionar o reparar el producto o el equipo de corte.
- Mantenga las manos y los pies alejados del equipo de corte hasta que se haya detenido por completo cuando se desactive el producto.
- Tenga cuidado con los trozos de rama que puedan salir despedidos durante el corte. No corte demasiado cerca del suelo, donde piedras y otros objetos puedan ser lanzados.
- Esté atento a que no salgan objetos despedidos. Use siempre protección ocular homologada. No se apoye nunca sobre la protección del equipo de corte. Es posible que piedras, residuos, etc., salgan disparados en dirección a los ojos lo que puede provocar ceguera o lesiones graves.
- Preste atención a las señales de advertencia o gritos cuando utilice protectores auriculares. Siempre retire

sus protectores auriculares apenas se detenga el producto.

- No trabaje nunca desde una escalera, taburete u otra posición elevada que no esté completamente asegurada.
- Esta máquina produce un campo electromagnético durante el funcionamiento. Este campo puede, en determinadas circunstancias, interferir con implantes médicos activos o pasivos. Para reducir el riesgo de lesiones graves o mortales, recomendamos a las personas con implantes médicos consultar a su médico y al fabricante del implante médico antes de usar esta máquina.
- Siempre sujete el producto con ambas manos. Mantenga el producto al lado derecho de su cuerpo.
- Siempre detenga el producto, retire la batería y asegúrese de que el equipo de corte no gire antes de retirar el material enrollado en el eje de la hoja o atrapado entre la protección y el equipo de corte.
- El campo electromagnético durante el funcionamiento puede interferir en los implantes médicos pasivos o pasivos. Las personas con implantes médicos deben comunicarse con su médico y con el fabricante del implante médico antes de trabajar con este producto.
- Sostenga el peso del producto con el arnés para facilitar la operación.
- La exposición prolongada al ruido puede causar la pérdida permanente de la audición. Husqvarna recomienda que los operadores utilicen protectores auriculares aprobados.
- Nunca utilice un producto que se haya modificado de cualquier modo con respecto a la especificación original.
- Nunca utilice un producto que esté defectuoso. Realice las comprobaciones de seguridad, el mantenimiento y las instrucciones de servicio descritas en este manual. Especialistas capacitados y calificados deben llevar a cabo algunas medidas de mantenimiento y servicio. Consulte las instrucciones que se encuentran en el título Mantenimiento.
- Realice una inspección general del producto antes de utilizar. Consulte el programa de mantenimiento.
- Nunca permita que otra persona utilice la máquina sin asegurarse primero de que haya leído y comprendido el contenido del manual de usuario.
- Revise la zona de trabajo en búsqueda de objetos extraños como cables de electricidad, animales u otros objetos, como elementos de metal, que podrían dañar el equipo de corte.
- Las cuchillas defectuosas pueden aumentar el riesgo de accidentes.

Equipo de protección personal



ADVERTENCIA: Lea estas instrucciones de advertencia antes de usar el producto.

- Utilice siempre el equipo de protección personal adecuado cuando use el producto. El equipo de protección personal no puede impedir el riesgo de lesiones, pero disminuirá el grado de lesión si ocurre un accidente. Permita que su distribuidor lo ayude seleccionar el equipo adecuado.
- Utilice un casco protector cuando exista el riesgo de caída de objetos.
- La exposición prolongada al ruido puede causar la pérdida de la audición. En general, los productos con alimentación mediante batería son relativamente silenciosos, pero pueden producir daños por medio de una combinación entre el nivel de ruido y el uso prolongado. Husqvarna recomienda que los operadores utilicen protectores auriculares cuando utilicen productos durante días enteros. Los usuarios recurrentes y habituales deben procurar acudir a exámenes auditivos con regularidad.



ADVERTENCIA: Los protectores auriculares limitan la capacidad de escuchar sonidos y señales de advertencia.

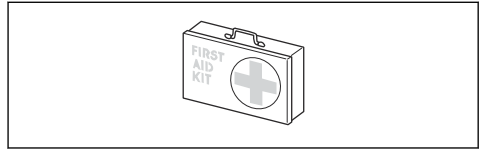
- Use protección ocular aprobada. Si utiliza un visor, también debe usar gafas protectoras homologadas. Las gafas protectoras homologadas deben cumplir con la norma ANSI Z87.1 de EE. UU. o EN 166 para países de la UE.
- Utilice un visor para proteger el rostro. El visor no es suficiente para proteger los ojos.



- Utilice guantes cuando sea necesario, por ejemplo, cuando conecte, examine o limpie el equipo de corte.
- Utilice botas o zapatos antideslizantes resistentes.
- Utilice ropa de material resistente. Use siempre pantalones largos y gruesos, y mangas largas. Evite usar ropas holgadas que se puedan enganchar con ramas. No trabaje con joyas, pantalones cortos, sandalias ni con los pies descalzos. Asegure su cabello por encima del nivel de los hombros.



- Mantenga un equipo de primeros auxilios a mano.



Dispositivos de seguridad en el producto



ADVERTENCIA: Lea atentamente las instrucciones de advertencia siguientes antes de usar el producto.

En esta sección se describen las características de seguridad del producto y su propósito, y cómo deben llevarse a cabo las comprobaciones y el mantenimiento para asegurarse de que funciona correctamente. Consulte las instrucciones bajo el título *Descripción general del producto en la página 22* para saber dónde se encuentran estas piezas en el producto.

La vida útil del producto se puede reducir y el riesgo de accidentes puede aumentar si el mantenimiento del producto no se realiza correctamente y si el servicio o las reparaciones no se llevan a cabo de forma profesional. Si necesita más información, comuníquese con su taller de servicio más cercano.



ADVERTENCIA: No utilice nunca un producto con componentes de seguridad dañados. El equipo de seguridad del producto se debe inspeccionar y mantener tal como se describe en esta sección. Si el producto no pasa exitosamente alguna de estas comprobaciones, póngase en contacto con el taller de servicio para que lo reparen.

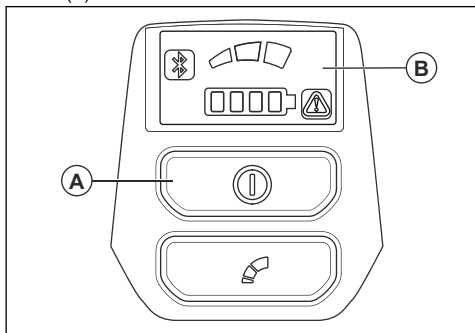


AVISO: Todos los trabajos de servicio y reparación de la máquina requieren una formación especial. Esto aplica especialmente al equipo de seguridad. Si la máquina no pasa exitosamente alguna de las comprobaciones indicadas a continuación, póngase en contacto con el taller de servicio. La compra de alguno de nuestros productos le garantiza la disponibilidad de mantenimiento y servicio profesionales. Si el comerciante que vende la máquina no es un concesionario de servicio, pída la dirección del taller de servicio más cercano.

Para comprobar la interfaz de usuario

1. Mantenga presionado el botón Start/Stop (A).

- a) El producto se enciende cuando la pantalla LED (B) se enciende.

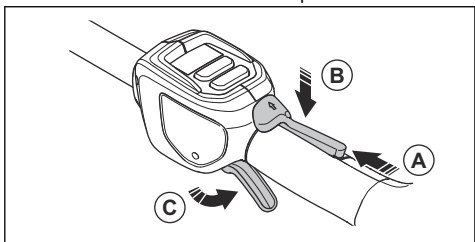


- b) El producto se apaga cuando la pantalla se apaga.

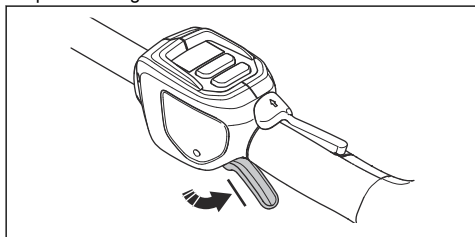
2. Si el indicador de advertencia de la pantalla se enciende o parpadea, consulte *Solución de problemas en la página 39*.

Comprobación del bloqueo del gatillo de alimentación

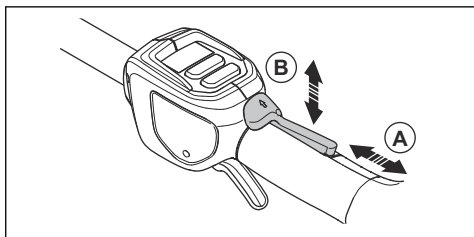
El bloqueo del gatillo de alimentación está diseñado para impedir la activación involuntaria. Si presiona el bloqueo del gatillo de alimentación hacia delante (A) y, luego, presiona el bloqueo del gatillo de alimentación contra el mango (B), el gatillo de alimentación (C) se suelta. Cuando suelte la manija, el gatillo de alimentación y el bloqueo del gatillo de alimentación volverán a sus posiciones iniciales. Este movimiento se controla mediante tres muelles independientes.



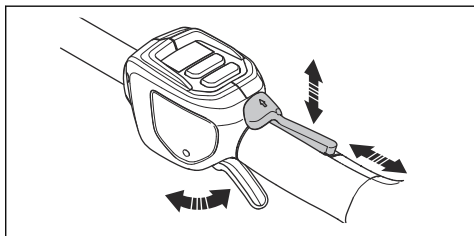
1. Asegúrese de que el gatillo de alimentación esté bloqueado cuando el bloqueo se encuentre en su posición original.



2. Presione el bloqueo del gatillo de alimentación hacia delante (A) y hacia abajo. Presione el bloqueo del gatillo de alimentación contra el mango (B) y asegúrese de que vuelva a su posición inicial cuando lo suelte.



3. Asegúrese de que el gatillo de alimentación y su bloqueo se muevan con facilidad y que los muelles de retorno funcionen correctamente.



4. Arranque el producto, consulte *Para poner en marcha el producto en la página 34*.
5. Presione completamente el gatillo de alimentación para aplicar la velocidad máxima.
6. Suelte el gatillo de alimentación y asegúrese de que el equipo de corte se detenga y permanezca inmóvil.

Para realizar una comprobación del engranaje angulado y de la caja de cambios



ADVERTENCIA: Para evitar quemaduras, deje que el producto se enfríe antes de tocar el engranaje angulado y la caja de cambios.

- Realice una comprobación visual para determinar si hay daños y deformaciones.

Para comprobar la protección para la mano

La protección para la mano impide el contacto accidental de las manos con las cuchillas.

1. Detenga la máquina.
2. Extraiga la batería.
3. Asegúrese de que la protección para la mano esté correctamente instalada.
4. Examine la protección para la mano para ver si está dañada.

Para comprobar las cuchillas

1. Detenga la máquina.
2. Extraiga la batería.
3. Utilice guantes protectores.
4. Asegúrese de que las cuchillas no estén dañadas ni dobladas. Reemplace las cuchillas si están dañadas o dobladas.

Seguridad de la batería



ADVERTENCIA: Lea estas instrucciones de advertencia antes de usar el producto.

- Solo utilice la batería BLi200 o 40-B220X. Consulte *Baterías aprobadas en la página 41*. La batería cuenta con un software cifrado.
- Utilice una batería BLi200 o 40-B220X que sea recargable como fuente de alimentación solo para los productos Husqvarna relacionados. Para evitar daños, no utilice la batería como fuente de alimentación en otros dispositivos.
- Riesgo de sacudida eléctrica. No conecte los terminales de la batería a llaves, monedas, tornillos u otros objetos metálicos. Esto puede provocar un cortocircuito de la batería.
- No utilice baterías no recargables.
- No introduzca objetos en las ranuras de aire de la batería.
- Mantenga la batería alejada de la luz solar, del calor o de llamas. La batería puede causar quemaduras o quemaduras químicas.
- Mantenga la batería alejada de condiciones húmedas y de la lluvia.
- Mantenga la batería alejada de microondas y de alta presión.
- No intente desarmar o romper la batería.
- Si se produce una filtración en la batería, no permita que el líquido entre en contacto con la piel o los ojos. Si toca el líquido, limpie el área con agua y jabón abundante y solicite asistencia médica. Si el líquido se introduce en los ojos, no los frote, enjuáguese con agua durante un mínimo de 15 minutos y solicite asistencia médica.
- Utilice la batería en niveles de temperatura entre -10 °C (14 °F) y 40 °C (114 °F).
- No limpie la batería o el cargador de batería con agua. Consulte *Para limpiar el producto, la batería y el cargador de batería en la página 37*.
- No utilice una batería dañada o defectuosa.
- Almacene las baterías en compartimientos alejados de objetos metálicos, como clavos, tornillos o joyas.
- Mantenga las baterías alejadas de los niños.

Seguridad del cargador de batería



ADVERTENCIA: Lea atentamente las instrucciones de advertencia siguientes antes de usar el producto.

- Existe riesgo de sacudidas eléctricas o cortocircuitos si no se siguen las instrucciones de seguridad.
- Utilice tomas de corriente aprobadas que no presenten daños.
- No utilice otros cargadores de batería además del proporcionado para su producto. Solo utilice cargadores QC Husqvarna cuando cargue las baterías BLi Husqvarna de repuesto.
- No intente desarmar el cargador de batería.
- No utilice un cargador de batería dañado o defectuoso.
- No levante el cargador de batería tirando del cable de alimentación. Para desconectar el cargador de batería de la toma de corriente, tire del enchufe. No tire del cable de alimentación.
- Mantenga todos los cables y las extensiones alejados del agua, del aceite y de los bordes afilados. Asegúrese de que el cable no quede atrapado entre puertas, cercos u objetos similares.
- No utilice el cargador de batería cerca de materiales inflamables o materiales que puedan causar corrosión. Asegúrese de que el cargador de la batería no tenga cubiertas. Desconecte el cargador de batería del enchufe en caso de incendio o humo.
- Cargue la batería solo en un lugar bajo techo con buena ventilación y lejos de la luz solar. No cargue la batería al aire libre. No cargue la batería en condiciones húmedas.
- Solo utilice el cargador de la batería cuando la temperatura esté entre 5 °C (41 °F) y 40 °C (104 °F). Utilice el cargador en un entorno que cuente con un buen flujo de aire, seco y sin suciedad.
- No introduzca objetos en las ranuras de enfriamiento del cargador de la batería.
- No conecte los terminales del cargador de la batería a objetos metálicos, ya que esto puede causar cortocircuitos en el cargador de la batería.
- Utilice únicamente cables de extensión para exteriores que tengan enchufes de conexión a tierra de tres espigas y receptáculos a tierra aptos para el enchufe del aparato.
- Utilice un dispositivo de corriente residual (RCD, del inglés Residual-Current Device) para una mayor seguridad. Los dispositivos de corriente residual se instalan para evitar que las fallas eléctricas produzcan lesiones.
- Cuando haga funcionar una herramienta eléctrica en exteriores, utilice un cable de extensión apto para el uso en exteriores. La utilización de un cable apto para el uso en exteriores reduce el riesgo de una sacudida eléctrica.

- Asegúrese periódicamente de que el cable de conexión del cargador de la batería no presente daños ni grietas.
- Examine periódicamente los cables de extensión y reemplácelos si presentan daños.

Instrucciones de seguridad para el mantenimiento



ADVERTENCIA: Lea atentamente las instrucciones de advertencia antes de realizar mantenimiento al producto.

- Retire la batería antes de hacer el mantenimiento, otras revisiones o el armado del producto.
- El operador solo debe hacer el mantenimiento y el servicio que se indica en el manual del usuario. Acuda a su concesionario de servicio cuando deba realizar mantenimiento y servicio a mayor escala.
- No limpie con agua la batería o el cargador de batería. Los detergentes fuertes pueden dañar el plástico.

- Si no realiza el mantenimiento, disminuye la vida útil del producto y aumenta el riesgo de accidentes.
- Se necesita capacitación especial para todos los trabajos de servicio y reparación, especialmente de los dispositivos de seguridad del producto. Si no se aprueban todas las comprobaciones establecidas en este manual del usuario después de realizar el mantenimiento, acuda al concesionario de servicio. Garantizamos que existen reparaciones y servicios profesionales disponibles para su producto.
- Mantenga los dientes de la hoja afilados correctamente. Siga nuestras recomendaciones. También consulte las instrucciones del envase de la hoja.
- Solo utilice piezas de repuesto originales.
- Siempre utilice guantes para trabajo pesado cuando repare el equipo de corte. La cuchilla tiene mucho filo y puede provocar cortes fácilmente.

Montaje

Introducción

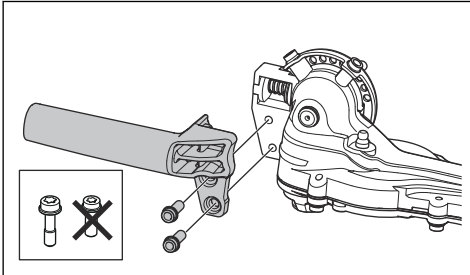
En este capítulo se describe cómo montar y ajustar el producto.



ADVERTENCIA: Antes de montar el producto, lea el capítulo sobre seguridad y las instrucciones de montaje.

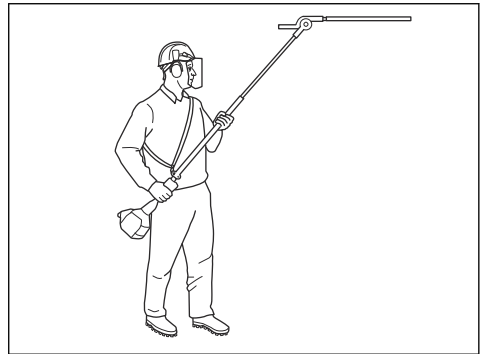
Para instalar la empuñadura

- Instale el mango con los 2 tornillos.



funcionamiento del producto. El arnés disminuye el riesgo de cansancio físico.

1. Colóquese el arnés.
2. Enganche el producto al gancho de sujeción del arnés.
3. Ajuste la longitud del arnés hasta que el gancho de sujeción esté al nivel de su cadera.



Para ajustar el arnés

Use siempre el arnés cuando utilice el producto. El arnés permite el máximo nivel de control durante el

Funcionamiento

Introducción



ADVERTENCIA: Antes de utilizar el producto, debe leer y entender el capítulo sobre seguridad.

Para conectar el cargador de la batería

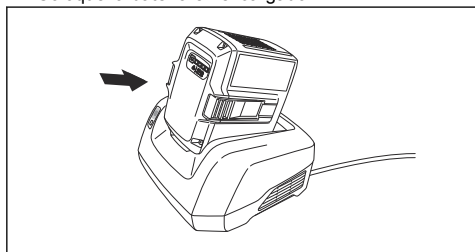
1. Conecte el cargador de la batería según el voltaje y la frecuencia especificados en la placa de características.
2. Enchufe el producto en una toma de corriente con conexión a tierra. La luz LED del cargador de batería parpadea en verde una vez.

Tenga en cuenta: La batería no se cargará si su temperatura es superior a 50 °C/122 °F. Si la temperatura es superior a 50 °C/122 °F, el cargador de la batería se encargará de enfriarla.

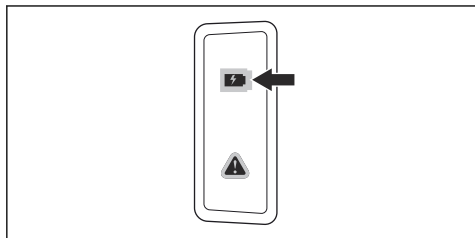
Para cargar la batería

Tenga en cuenta: Cargue la batería si es la primera vez que la utiliza. Una batería nueva solo cuenta con un 30 % de carga.

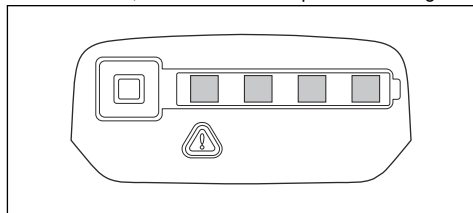
1. Asegúrese de que la batería esté seca.
2. Coloque la batería en el cargador.



3. Asegúrese de que se encienda el indicador verde de carga del cargador de la batería. Eso significa que la batería está conectada correctamente al cargador de la batería.



4. Cuando todas las luces LED de la batería están encendidas, la batería está completamente cargada.



5. Para desconectar el cargador de la batería de la toma de corriente, hale el enchufe. No hale el cable.
6. Quite la batería del cargador de la batería.

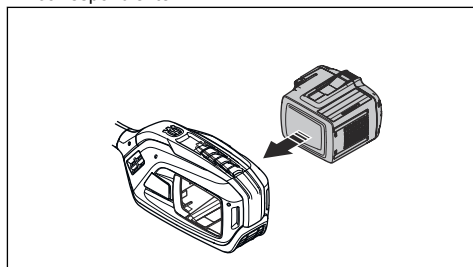
Tenga en cuenta: Para obtener más información, consulte los manuales de la batería y del cargador de la batería.

Para conectar la batería al producto



ADVERTENCIA: Utilice solo baterías originales Husqvarna en el producto.

1. Asegúrese de que la batería esté totalmente cargada.
2. Presione la batería en el compartimiento de batería del producto. Cuando escuche un clic, significará que la batería se encuentra fija en su posición correspondiente.



AVISO: Si la batería no se mueve con facilidad, la instalación de la batería no se realizó correctamente. Esto puede provocar daños al producto.

3. Asegúrese de que la batería esté correctamente instalada.

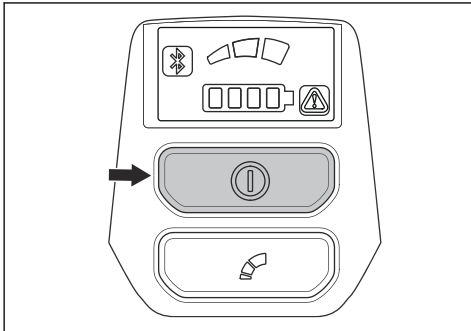
Antes de arrancar el producto

1. Inspeccione la zona de trabajo. Retire los objetos que puedan salir eyectados.

2. Inspeccione el equipo de corte. Asegúrese de que las hojas tengan filo y que no presenten grietas ni daños.
3. Asegúrese de que el producto funciona correctamente. Verifique que todas las tuercas y tornillos estén apretados.
4. Asegúrese de que el mango y los dispositivos de seguridad no presenten daños y que estén fijados correctamente. No haga funcionar el producto si le faltan piezas o si se modificaron sus especificaciones iniciales. Utilice guantes protectores cuando sea necesario.
5. Antes hacerlo funcionar, asegúrese de que las cubiertas no presenten daños y que estén fijadas correctamente.

Para poner en marcha el producto

1. Coloque el producto en la posición de arranque.
2. Mantenga presionado el botón Start hasta que se encienda la luz LED verde.

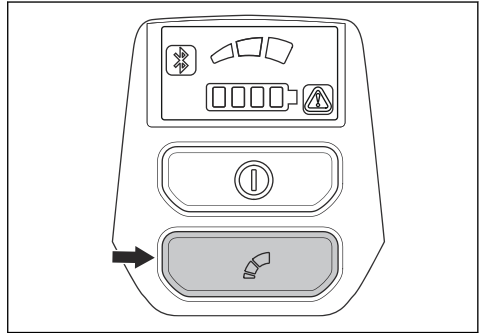


3. Utilice el gatillo de alimentación para controlar la velocidad.

Para limitar la velocidad máxima con el botón de modo

El producto cuenta con un botón de modo. Con el botón de modo, el usuario puede limitar la velocidad máxima. El botón de modo tiene 3 niveles de velocidad. Un nivel inferior aumenta el tiempo de funcionamiento del producto. Utilice los niveles 1 y 2 si el funcionamiento no requiere de una máxima velocidad / potencia total. Si la condición de funcionamiento requiere una máxima velocidad / potencia máxima, utilice el nivel 3. No utilice un nivel superior al que se necesita para el funcionamiento.

1. Pulse el botón de modo para establecer un límite de régimen máximo. Los LED blancos se encienden para indicar que la función está activada.



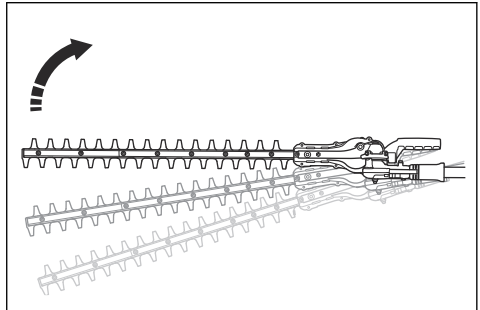
2. Vuelva a presionar el botón Modo para elegir el siguiente nivel de velocidad.

Función de apagado automático

El producto cuenta con una función de apagado automático, que detiene el producto si no se utiliza. La luz LED verde que indica arranque/detención se apaga y el producto se apaga en 30 minutos.

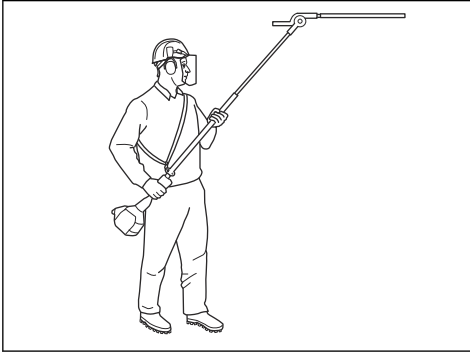
Para hacer funcionar el producto

1. Arránquelo cerca del suelo y mueva el producto a lo largo del seto cuando corte en los costados.

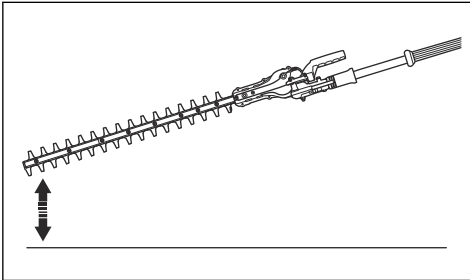


2. Ajuste la velocidad para ajustarla con la carga de trabajo.
3. Asegúrese de que el motor no toque el seto.

4. Mantenga el producto cerca de usted para lograr una posición de trabajo estable.



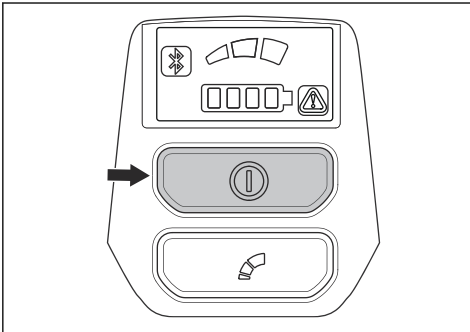
5. Asegúrese de que el extremo del equipo de corte no toque el suelo.



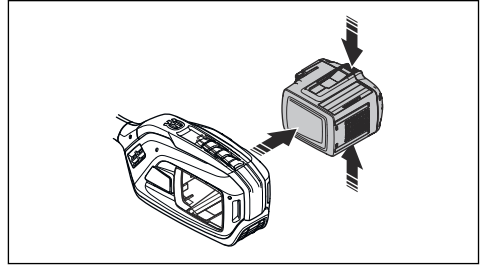
6. Tenga cuidado y trabaje con lentitud hasta que se corten correctamente todas las ramas.

Para detener el producto

1. Suelte el gatillo de alimentación o el bloqueo del gatillo de alimentación.
2. Ponga el producto en la posición de detención.
3. Presione el botón Stop.



4. Presione los botones de liberación de la batería y retírela.



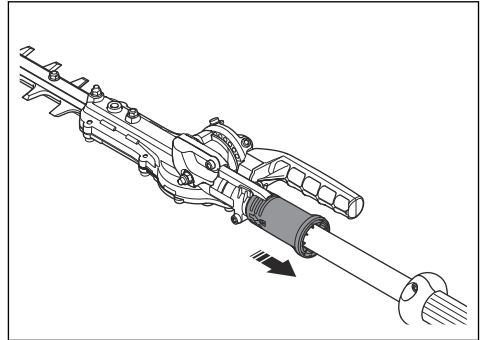
Para ajustar el ángulo de la unidad de corte

La unidad de corte se puede ajustar en 10 posiciones diferentes.

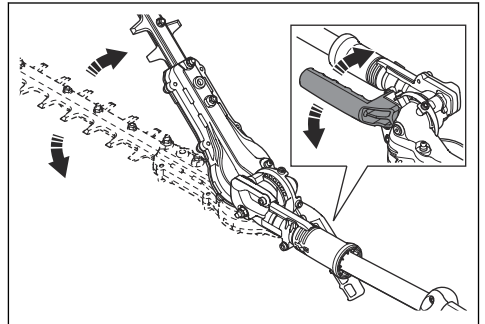


ADVERTENCIA: No opere la unidad de corte durante el ajuste del ángulo.

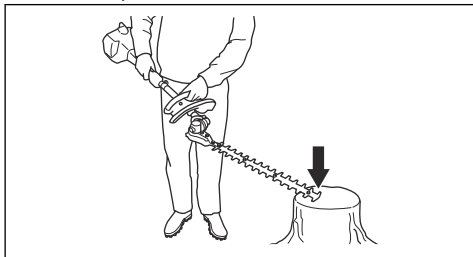
1. Detenga la máquina.
2. Tire la palanca de ajuste de posición hacia abajo.



3. Incline la unidad de corte a la posición correcta. Realice uno de los siguientes pasos:
 - a) Utilice la manija.



- b) Empuje el extremo de la unidad de corte contra una superficie estable.



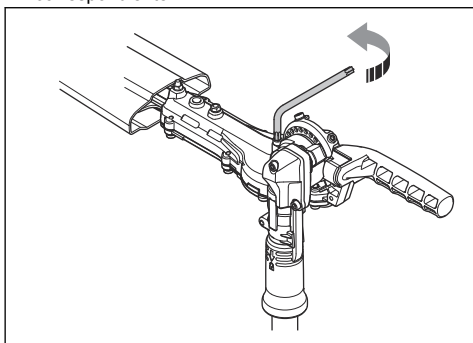
4. Suelte la manija de ajuste de posición para bloquear la unidad de corte.
5. Empuje la unidad de corte contra los setos para asegurarse de que está bloqueada.

Para ajustar la fricción durante el ajuste del ángulo



ADVERTENCIA: No opere la unidad de corte mientras realiza el ajuste de la fricción.

1. Detenga la máquina.
2. Instale la protección para transportes en la unidad de corte.
3. Tire la palanca de ajuste de posición hacia abajo.
4. Incline la unidad de corte hasta la posición correspondiente.



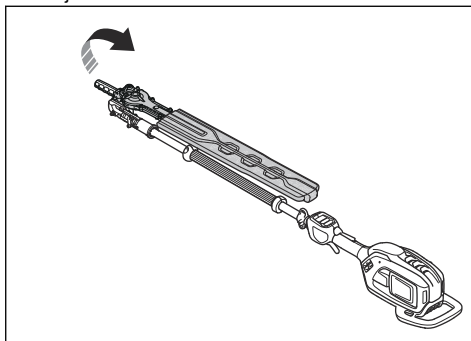
5. Ajuste el tornillo para establecer la fricción.
6. Ajuste la unidad de corte en diferentes posiciones para probar la fricción.

Para poner el producto en posición de transporte



ADVERTENCIA: No arranque el producto cuando esté en la posición de transporte.

1. Detenga la máquina.
2. Instale la protección para transportes en la unidad de corte.
3. Tire la palanca de ajuste de posición hacia abajo.
4. Pliegue la unidad de corte para que quede paralela al eje.



Husqvarna Fleet Services™

Husqvarna Fleet Services™ es una solución basada en la nube que proporciona una descripción general de todos los productos al administrador de flotas comerciales. Husqvarna Fleet Services™ se puede agregar a 525iHE3 y 525iHE4. Para obtener más información acerca de Husqvarna Fleet Services™, consulte www.husqvarna.com.

Tecnología inalámbrica Bluetooth®

Los productos con tecnología inalámbrica Bluetooth® integrada se pueden conectar a dispositivos móviles y habilitan funciones adicionales.

El símbolo de tecnología inalámbrica *Bluetooth®* se enciende cuando el dispositivo móvil está conectado al producto.



Conexión del producto con Husqvarna Fleet Services™

1. Descargue la aplicación Husqvarna Fleet Services™ en su dispositivo móvil.
2. Inicie sesión en la aplicación Husqvarna Fleet Services™.
3. Siga las instrucciones sobre cómo vincular el producto con Husqvarna Fleet Services™.

Mantenimiento

Introducción



ADVERTENCIA: Lea detenidamente el capítulo de seguridad antes de realizar mantenimiento en el producto.

Programa de mantenimiento



ADVERTENCIA: Retire la batería antes de realizar mantenimiento.

Mantenimiento	Antes del uso	Una vez por semana	Una vez al mes
Limpie las partes exteriores del producto.	X		
Verifique que el interruptor de arranque y detención funcione correctamente y no esté dañado.	X		
Asegúrese de que el gatillo de alimentación y el bloqueo del gatillo de alimentación funcionen correctamente en términos de seguridad.	X		
Asegúrese de que todos los controles funcionen y no estén dañados.	X		
Asegúrese de que las cuchillas cortadoras y la protección de la cortadora no tengan grietas y no estén dañados. Cambie la cuchilla cortadora o la protección de la cortadora si presentan grietas o si han recibido golpes.	X		
Asegúrese de que la cuchilla no esté doblada. Reemplace la cuchilla cortadora si está doblada.	X		
Asegúrese de que la protección para la mano no esté dañada. Reemplace la protección si está dañada.	X		
Asegúrese de que las tuercas y los tornillos estén apretados.	X		
Asegúrese de que la batería no esté dañada.	X		
Asegúrese de que la batería esté cargada.	X		
Asegúrese de que el cargador de la batería no esté dañado.	X		
Asegúrese de que el bloqueo de la posición del equipo de corte no presente daños y de que funcione correctamente.	X		
Asegúrese de que los tornillos que mantienen sujeta la cuchilla cortadora estén correctamente apretados.		X	
Realice una comprobación de las conexiones entre la batería y el producto. Examine también la conexión entre la batería y el cargador de batería.			X

Para examinar la batería y el cargador de la batería

1. Examine la batería en busca de daños, tales como grietas.
2. Examine el cargador de la batería en busca de daños, tales como grietas.
3. Asegúrese de que el cable de conexión del cargador de batería no presente daños ni grietas.

Para limpiar el producto, la batería y el cargador de batería

1. Limpie el producto con un paño seco después del uso.
2. Limpie la batería y el cargador de la batería con un paño seco. Mantenga limpios los rieles de guía de la batería.
3. Asegúrese de que las terminales en la batería y en el cargador de la batería estén secos antes de que la batería se coloque en el cargador de la batería o en el producto.

Para limpiar y lubricar las hojas

1. Retire materiales no deseados de las hojas antes y después de utilizar el producto.
2. Lubrique las cuchillas antes de períodos prolongados de almacenamiento.

Tenga en cuenta: Comuníquese con su taller de servicio para obtener más información sobre los agentes de limpieza y lubricantes recomendados.

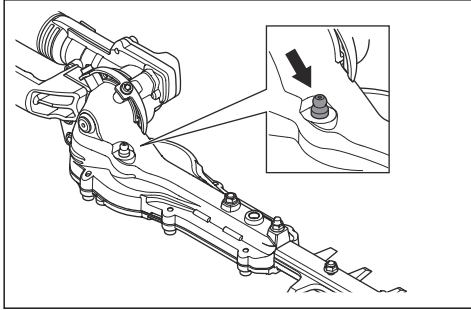
Para lubricar el engranaje angulado y la caja de cambios



ADVERTENCIA: Para evitar quemaduras, deje que el producto se enfríe antes de tocar el engranaje angulado y la caja de cambios.

Tenga en cuenta: El primer relleno de grasa de los productos nuevos se debe realizar después de aproximadamente 20 horas de funcionamiento.

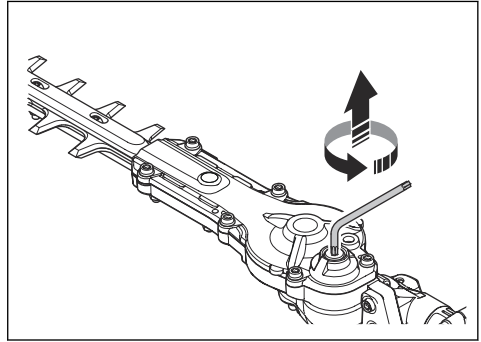
- Utilice la grasa especial de Husqvarna. Póngase en contacto con su taller de servicio para obtener más información.
- Agregue la grasa a través de la boquilla de engrase.



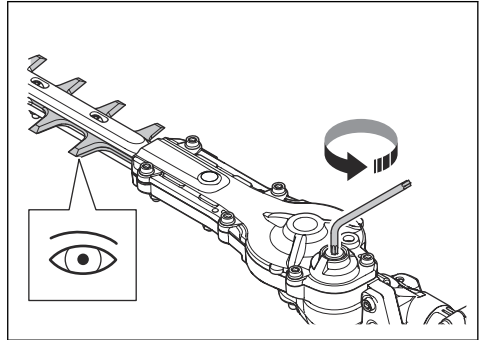
AVISO: No llene la caja de cambios completamente.

Para examinar las cuchillas

1. Retire el tornillo de la caja de cambios.



2. Coloque la llave T27 Torx en la caja de cambios y gírela hacia la derecha y hacia la izquierda. Asegúrese de que las hojas se muevan libremente.



3. Inspeccione los bordes de las cuchillas para determinar si presentan daños o deformaciones.
4. Utilice una lima para quitar las rebabas de las hojas.
5. Vuelva a instalar todo en el orden inverso.

Solución de problemas

Cuchilla

Problema	Causas posibles	Paso recomendado
La hoja se mueve lentamente o no se mueve.	La hoja se bloquea o está dañada.	Limpie las hojas de materiales no deseados. Consulte <i>Para limpiar y lubricar las hojas en la página 38</i> . Quite las rebabas de la hoja; consulte <i>Para examinar las cuchillas en la página 38</i> . Reemplace la hoja si está dañada.
La hoja no corta con facilidad.	La hoja no está bien afilada o está dañada.	Afile la cuchilla; consulte <i>Para examinar las cuchillas en la página 38</i> . Reemplace la hoja si está dañada.
La hoja se calienta.	Hay fricción entre las hojas.	Quite las rebabas de la hoja y lubríquela. Consulte <i>Para examinar las cuchillas en la página 38</i> .

Interfaz de usuario

Problema	Posibles fallas	Posible medida
El indicador LED de la batería parpadea en naranja	Tensión de la batería baja.	Cargue la batería.
La luz LED de error parpadea en rojo	Sobrecarga.	El equipo de corte se ha atascado. Detenga la máquina. Extraiga la batería. Limpie el equipo de corte de materiales no deseados.
	Variación de temperatura.	Deje que el producto se enfríe.
	El gatillo de alimentación y el botón de activación se presionan al mismo tiempo.	Suelte el gatillo de alimentación para activar el producto.
El producto no arranca	Suciedad en los conectores de la batería.	Limpie los conectores de la batería con aire comprimido o con un cepillo de cerdas suaves.
El LED de error está encendido con luz roja	El producto necesita mantenimiento.	Póngase en contacto con su taller de servicio.

Batería

Problema	Posibles fallas	Solución posible
Luz LED verde intermitente.	Voltaje de batería bajo.	Cargue la batería.
Luz LED roja de error intermitente.	La batería está vacía.	Cargue la batería.
	Variación de temperatura.	Utilice la batería en niveles de temperatura entre -10°C (14°F) y 40°C (104°F).
	Sobretensión.	Quite la batería del cargador de la batería.

Problema	Posibles fallas	Solución posible
La luz LED roja de error se enciende.	La diferencia de la celda es demasiada (1 V).	Consulte a su concesionario de servicio.

Cargador de batería

Problema	Posibles fallas	Solución posible
Luz LED roja de error intermitente.	Variación de temperatura.	Utilice el cargador de la batería en niveles de temperatura de entre 5 °C (41 °F) y 40 °C (104 °F).
La luz LED roja de error se enciende.		Consulte a su concesionario de servicio.

Transporte, almacenamiento y eliminación de residuos

Transporte y almacenamiento

- Las baterías de iones de litio proporcionadas siguen los requisitos de la Legislación de productos peligrosos.
- Siga los requisitos especiales sobre el embalaje y las etiquetas para transportes comerciales, incluidos los de terceros y transportistas.
- Comuníquese con una persona con capacitación especial sobre materiales peligrosos antes de enviar el producto. Siga todas las normas nacionales aplicables.
- Utilice cinta sobre los contactos abiertos cuando coloque la batería en un paquete. Coloque firmemente la batería en el paquete para evitar el movimiento.
- Retire la batería para almacenarla o transportarla.
- Coloque la batería y el cargador de la batería en un lugar seco, donde no haya humedad ni heladas.
- No mantenga la batería en un área donde pueda generarse electricidad estática. No mantenga la batería en una caja metálica.
- Guarde la batería en un lugar donde la temperatura oscile entre los 5 °C/41 °F y los 25 °C/77 °F, lejos de la luz solar directa.
- Guarde el cargador de la batería en un lugar donde la temperatura oscile entre los 5 °C/41 °F y los 45 °C/113 °F, lejos de la luz solar directa.
- Utilice el cargador de la batería solamente cuando la temperatura ambiente oscile entre los 5 °C/41 °F y los 40 °C/104 °F.
- Cargue la batería de un 30 % a un 50 % antes de almacenarla durante períodos prolongados.
- Almacene el cargador de la batería en un espacio cerrado y seco.

- Mantenga la batería lejos del cargador de la batería durante el almacenamiento. No permita que niños y otras personas sin autorización toquen el equipo. Mantenga el equipo en un espacio que pueda cerrarse.
- Limpie el producto y realice un mantenimiento total antes de almacenarlo durante un período prolongado.
- Utilice protección para transportes en el producto para evitar lesiones o daños en el producto durante su transporte y almacenamiento.
- Fije el producto de manera segura durante el transporte.

Eliminación de la batería, el cargador de la batería y el producto

Los símbolos que aparecen en el producto o en el paquete del producto indican que los componentes no constituyen residuos domésticos. Reciclélo en una planta de reciclaje para equipo eléctrico y electrónico. Esto ayuda a evitar daños al medioambiente y a las personas.

Póngase en contacto con las autoridades locales, de residuos domésticos o con su distribuidor para obtener más información sobre cómo reciclar el producto.

Datos técnicos

Datos técnicos

	525iHE3	525iHE4
Motor		
Tipo de motor	Husqvarna E-torq BLDC	Husqvarna E-torq BLDC
Peso		
Peso sin la batería, lb/kg	Por determinar	5,0/11,0
Peso sin la batería en lb/kg	Por determinar	14,1/6,4
Cuchillas		
Tipo	Doble cara	Doble cara
Longitud de corte, in/mm	Por determinar	600/23,6
Velocidad de corte, cortes/min	Por determinar	4400
Niveles sonoros ³		
Nivel de presión acústica equivalente en el oído del operador, medido según EN 62841-4-2, en dB (A):	89	88
Niveles de vibración ⁴		
Niveles de vibración equivalentes ($a_{hv,eq}$) en mangos, medidos según las normas EN ISO 10517, m/s ² :		
Delantero/trasero, m/s ²	Por determinar	3,4/5,2

Baterías aprobadas

Batería	BLI200	40-B220X
Tipo	Iones de litio	Iones de litio
Capacidad de la batería, Ah	5,2	6,0
Tensión nominal, V	36	36
Peso, kg (lb)	1,3 (2,9)	1,4 (3,1)

³ Los datos informados en cuanto al nivel de presión sonora tienen una dispersión estadística típica (desviación estándar) de 1 dB(A).

⁴ Los datos informados en cuanto al nivel de vibración tienen una dispersión estadística típica (desviación estándar) de 1 m/s².

Cargadores de batería aprobados

Cargador de batería	QC330
Voltaje de entrada, V	100-240
Frecuencia, Hz	50-60
Potencia, W	330

Marcas comerciales

La marca denominativa y los logotipos de *Bluetooth®* son marcas comerciales de *Bluetooth SIG, inc.* y cualquier uso de dichas marcas por Husqvarna está sometido a un acuerdo de licencias.

Table des matières

Introduction.....	43	Dépannage.....	60
Sécurité.....	45	Transport, entreposage et mise au rebut.....	61
Montage.....	53	Données techniques.....	62
Fonctionnement.....	54	Marques déposées.....	63
Entretien.....	58		

Introduction

Description du produit

Husqvarna 525iHE3, 525iHE4 sont des taille-haies sur perche à batterie avec moteur électrique.

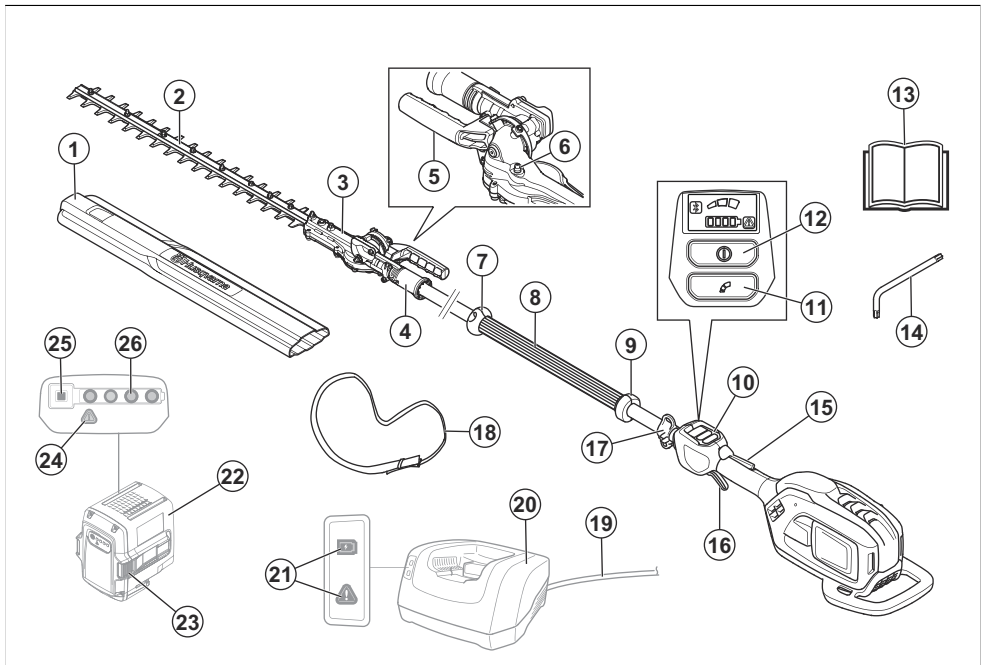
Le travail est constamment en cours pour augmenter votre sécurité et l'efficacité pendant l'utilisation. Pour

obtenir de plus amples renseignements, communiquer avec votre centre de services.

Utilisation prévue

Utiliser cet outil pour couper les branches et les broussailles. Ne pas utiliser l'outil pour d'autres tâches.

Présentation de l'appareil



- | | |
|---|--|
| 1. Dispositif de protection pour le transport | 9. Arbre |
| 2. Lame | 10. Interface utilisateur |
| 3. Boîte de vitesses | 11. Bouton de mode de vitesse |
| 4. Poignée de réglage de la position | 12. Bouton de marche/arrêt |
| 5. Poignée | 13. Manuel de l'opérateur |
| 6. Raccord de graissage | 14. Clé Torx T27 |
| 7. Protège-mains | 15. Mécanisme de verrouillage de la gâchette |
| 8. Poignée avant | 16. Gâchette |

17. Crochet de support du harnais
18. Harnais
19. Cordon d'alimentation du chargeur de batterie
20. Chargeur de batterie
21. DEL d'alimentation et d'avertissement
22. Batterie
23. Boutons de déverrouillage de la batterie
24. DEL d'avertissement
25. Bouton indicateur de la batterie
26. Voyant DEL du système de charge

Symboles figurant sur le produit



AVERTISSEMENT : Ce produit peut être dangereux et causer des blessures très graves, ou même mortelles, à l'utilisateur et à d'autres personnes. Faire attention et utiliser le produit correctement.



Lire soigneusement le manuel d'instructions et veiller à bien comprendre les directives avant d'utiliser cette machine.



Utiliser un casque de protection dans les endroits où des objets peuvent tomber sur vous. Porter un dispositif de protection homologué pour les oreilles. Utiliser un dispositif de protection homologué pour les yeux.



Porter des bottes stables avec semelles antidérapantes.



Utiliser des gants de protection homologués.



Arrêter complètement le produit avant de toucher à l'outil de coupe.



Arrêter complètement le produit avant de toucher à l'outil de coupe.



Tenir toute partie du corps à l'écart des surfaces chaudes.



Tirez la poignée vers le bas pour déverrouiller le réglage de l'angle de l'unité de coupe.



Tension nominale, V



Courant continu.



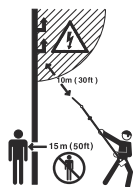
Le produit est protégé contre les éclaboussures d'eau.



Si le produit est doté de la technologie sans fil Bluetooth®. Le symbole Bluetooth® sera marqué sur l'étiquette du nom du produit.



Débrancher la batterie avant l'entretien.



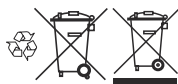
Ce produit n'est doté d'aucune isolation électrique. Si le produit touche des lignes à haute tension ou est utilisé à proximité de celles-ci, cela pourrait entraîner la mort ou des blessures graves. L'électricité peut se transmettre entre des objets différents par une courbe. Plus la tension est élevée, plus l'électricité est transmise sur une longue distance. L'électricité peut également être transmise dans les branches et d'autres objets, particulièrement s'ils sont mouillés. Toujours conserver une distance d'au moins 10 m/33 pi entre le produit et les lignes de haute tension ou tout objet en contact avec celles-ci. S'il est nécessaire de travailler à proximité de lignes électriques, s'assurer que l'alimentation est coupée avant de commencer les travaux. Pendant l'utilisation, garder une distance minimale de 15 m/50 pi avec d'autres personnes ou des animaux.

yyyywwxxxx

La plaque signalétique indique le numéro de série où **yyyy** représente l'année de production et **ww** la semaine de production.

Remarque : Les autres symboles et autocollants apposés sur le produit se rapportent aux exigences en matière de certification pour certains marchés.

Symboles figurant sur la batterie et sur le chargeur de batterie



Recycler ce produit à la station de recyclage des équipements électriques et électroniques. (Pour l'Europe seulement)



Transformateur fiable



Utiliser et garder le chargeur de batterie seulement dans un endroit clos.



Double isolation.

Proposition 65 de la Californie

ATTENTION!

Ce produit contient ou émet un produit chimique qui, d'après l'État de Californie, peuvent causer le cancer, des malformations congénitales ou autre danger pour la reproduction.

Produit endommagé

Nous ne sommes pas responsables des dommages causés à notre produit si :

- Le produit n'est pas réparé de façon adéquate.
- Le produit est réparé avec des pièces qui ne sont pas fournies ou homologuées par le fabricant.
- Le produit comprend un accessoire qui n'est pas fourni ou homologué par le fabricant.
- Le produit n'est pas réparé par un centre de service après-vente agréé ou par une autorité homologuée.

Sécurité

Définitions relatives à la sécurité

Les avertissements, recommandations et remarques soulignent des points du manuel qui revêtent une importance particulière.



AVERTISSEMENT : Indique la présence d'un risque de blessure ou de décès de l'utilisateur ou de personnes à proximité si les instructions du manuel ne sont pas suivies.



MISE EN GARDE : Indique la présence d'un risque de dommages au produit, à d'autres appareils ou à la zone adjacente si les instructions du manuel ne sont pas suivies.

Remarque : Utilisé pour donner des renseignements plus détaillés qui sont nécessaires dans une situation donnée.

IMPORTANTES CONSIGNES DE SÉCURITÉ

Lire toutes les instructions



AVERTISSEMENT : Lors de l'utilisation d'appareils de jardinage électriques, toujours respecter les règles de sécurité de base afin de réduire les risques d'incendie, d'électrocution et de blessure, dont les règles suivantes :

Consignes générales de sécurité relatives aux outils électriques



AVERTISSEMENT : Lire toutes les instructions et consignes de sécurité. Le non-respect de ces instructions et consignes peut provoquer une électrocution, un incendie et des blessures graves.

Remarque : Conserver ces instructions et consignes pour consultation ultérieure. Dans les avertissements, le terme « outil électrique » fait référence à votre appareil électrique branché sur le secteur ou alimenté par batterie (sans fil).

Sécurité de l'aire de travail

- **Maintenir l'aire de travail propre et bien éclairée.** Les endroits sombres ou encombrés sont propices aux accidents.
- **Ne pas utiliser des outils électriques dans des atmosphères explosives, notamment en présence de liquides, gaz ou poussières inflammables.** Les outils électriques produisent des étincelles qui peuvent enflammer les poussières et les vapeurs.
- **Tenir les enfants et les spectateurs à distance lorsque l'outil électrique est en marche.** Un moment d'inattention pourrait vous en faire perdre le contrôle.

Sécurité électrique

- **La fiche d'un outil électrique doit être adaptée à la prise. Ne jamais modifier la fiche. Ne jamais utiliser une fiche d'adaptation avec un outil électrique mis à la terre.** Les fiches non modifiées et les prises adaptées à la fiche permettent de réduire les risques d'électrocution.
- **Éviter d'entrer en contact avec les surfaces mises à la terre (tuyaux, radiateurs, cuisinières, réfrigérateurs, etc.).** Le risque d'électrocution est plus important si le corps de l'opérateur est mis à la terre.
- **Ne pas exposer les outils électriques à la pluie ou à l'humidité.** L'infiltration d'eau dans un outil électrique augmente le risque d'électrocution.
- **Toujours manipuler le cordon avec soin. Ne jamais utiliser le cordon pour porter, tirer ou débrancher l'outil électrique. Tenir le cordon à l'écart de la chaleur, de l'huile, des bords tranchants et des pièces mobiles.** Les cordons endommagés ou emmêlés augmentent le risque d'électrocution.
- **Pour le travail à l'extérieur, utiliser une rallonge adaptée à l'usage extérieur.** L'utilisation d'une telle rallonge réduit le risque d'électrocution.
- **S'il est impossible d'éviter de faire fonctionner la machine électrique dans un endroit humide, utiliser une alimentation avec dispositif de protection par courant différentiel résiduel (RCD).** Les disjoncteurs de courant résiduel réduisent le risque d'électrocution.

Sécurité personnelle

- **Lors de l'utilisation d'un outil électrique, toujours demeurer attentif et faire preuve de bon sens. Ne pas utiliser l'outil électrique si vous êtes fatigué ou sous l'emprise de drogues, de l'alcool ou de médicaments.** Tout moment d'inattention pendant l'utilisation d'un outil électrique peut causer de graves blessures.

- **Utiliser de l'équipement de protection individuelle. Toujours porter des lunettes de protection.** En utilisant l'équipement de protection (masque antipoussière, chaussures de sécurité antidérapantes, casque, dispositif de protection pour les oreilles, etc.) qui convient aux conditions, on réduit les risques de blessure.
- **Prévenir les démarrages accidentels. Vérifier que l'interrupteur est à la position d'arrêt avant de brancher l'outil dans la prise ou le bloc d'alimentation, de le saisir ou de le transporter.** Le transport des outils électriques en maintenant le doigt sur l'interrupteur d'alimentation et le branchement d'outils alors que l'interrupteur est à la position de marche expose à des accidents.
- **Retirer toute clé ou clavette de réglage avant de mettre l'outil sous tension.** Une clé ou une clavette reliée à une pièce mobile de l'outil électrique peut causer une blessure.
- **Ne pas trop se pencher vers l'avant. Toujours se tenir bien campé et en équilibre.** Cela permet de mieux contrôler l'outil électrique lors d'un imprévu.
- **S'habiller de façon appropriée. Ne jamais porter des vêtements amples ou des bijoux. Garder les cheveux et les vêtements loin des pièces mobiles.** Les vêtements amples, bijoux et cheveux longs peuvent se prendre dans les pièces en mouvement.
- **Si des dispositifs sont fournis pour raccorder des systèmes de collecte et d'extraction de la poussière, s'assurer que ceux-ci sont utilisés et correctement branchés.** L'utilisation de dépoussiéreurs peut réduire les risques associés à la poussière.
- **Ne pas laisser la parfaite connaissance de l'outil acquise en raison de l'utilisation fréquente de ce dernier engendrer la complaisance et le non-respect des principes de sécurité relatifs à l'outil.** Une négligence peut provoquer de graves blessures en une fraction de seconde.

Utilisation et entretien des outils électriques

- **Ne pas forcer sur l'outil électrique. Utiliser l'outil électrique qui convient au travail à effectuer.** De cette façon, le résultat sera meilleur et le travail sera effectué de façon plus sécuritaire et au régime pour lequel l'outil électrique a été conçu.
- **Ne pas utiliser l'outil électrique si l'interrupteur ne permet pas la mise sous tension et l'arrêt de l'outil.** Tout outil électrique dont l'interrupteur est défectueux représente un danger et doit être réparé.
- **Débrancher la fiche de la source d'alimentation et/ou retirer le bloc de batteries, s'il peut être retiré, de l'outil électrique avant d'apporter des ajustements, de changer les accessoires ou de ranger l'outil électrique.** Ces mesures de sécurité réduisent le risque de mise sous tension accidentelle.
- **Ranger les outils électriques hors de la portée des enfants et ne pas laisser des personnes qui ne connaissent pas l'outil ou les présentes consignes utiliser celui-ci.** Les outils électriques représentent un

danger lorsqu'ils sont entre les mains d'utilisateurs non formés.

- **Entretien des outils électriques et les accessoires.** Vérifier l'outil à la recherche de pièces brisées, de mauvais alignement ou de blocage des pièces mobiles et de toute autre situation pouvant nuire au bon fonctionnement de l'outil. Si l'outil est endommagé, il faut le réparer avant de l'utiliser. De nombreux accidents sont causés par des outils mal entretenus.
- **Maintenir les outils tranchants aiguisés et propres.** Les outils tranchants correctement entretenus dont les bords de coupe sont bien affûtés sont moins susceptibles de se coincer et plus faciles à contrôler.
- **Utiliser l'outil électrique, les accessoires, les forets, etc., conformément aux présentes instructions et en tenant compte des conditions de travail et de la tâche à réaliser.** L'utilisation de l'outil électrique pour des opérations autres que celles pour lesquelles il est prévu peut entraîner des dangers.
- **Garder les poignées et les surfaces de préhension sèches, propres et exemptes d'huile et de graisse.** Les poignées et les surfaces de préhension glissantes ne permettent pas de manipuler l'outil de manière sécuritaire, ni d'en conserver le contrôle lorsqu'une situation inattendue se présente.

Utilisation et entretien des outils électriques à batteries

- **Ne recharger qu'avec le chargeur indiqué par le fabricant.** Un chargeur convenant à un type de bloc de batteries particulier peut entraîner un risque d'incendie s'il est utilisé avec un autre bloc de batteries.
- **N'utiliser des outils électriques qu'avec les blocs de batteries spécifiquement indiqués.** L'utilisation d'autres groupes de batteries peut entraîner un risque de blessure et d'incendie.
- **Lorsqu'on n'utilise pas le bloc de batteries, le tenir à l'écart d'objets métalliques, tels que les trombones, pièces de monnaie, clés, clous, vis ou autres petits objets en métal, qui peuvent établir une connexion entre les bornes.** La mise en court-circuit des bornes de la batterie peut provoquer des brûlures ou un incendie.
- **Une utilisation abusive peut laisser s'échapper du liquide de la batterie; éviter tout contact. En cas de contact accidentel, rincer abondamment à l'eau. Si du liquide entre en contact avec les yeux, consulter en outre un médecin immédiatement.** Le liquide échappé de la batterie peut provoquer des irritations ou des brûlures.
- **Ne pas utiliser un bloc de batteries ou un outil défectueux ou modifié.** Les batteries endommagées ou modifiées peuvent se comporter de manière inattendue et provoquer un incendie, une explosion ou des blessures potentielles.
- **Ne pas exposer un bloc de batteries ou l'outil au feu ou à une température excessive.** Une exposition

au feu ou à une température supérieure à 130 °C (265 °F) peut provoquer une explosion.

- **Suivre toutes les instructions de charge et ne pas charger le bloc de batteries ou l'outil en dehors de la plage de température spécifiée dans les instructions.** Une charge inappropriée ou à des températures en dehors de la plage spécifiée peut endommager la batterie et augmenter le risque d'incendie.

Service

- **Faire entretenir votre outil électrique par un technicien qualifié et utiliser uniquement des pièces de rechange identiques aux pièces d'origine.** L'entretien adéquat de l'outil permet une utilisation plus sécuritaire.
- **Ne jamais tenter de réparer un bloc de batteries endommagé.** La réparation des blocs de batteries ne devrait être effectuée que par le fabricant ou les fournisseurs de service autorisés.

Avvertissements de sécurité relatifs au taille-haie

- **Tenir les lames éloignées de toute partie du corps. Ne pas retirer de matériel coupé ni tenir le matériel à couper quand les lames tournent.** Les lames continuent à se déplacer après l'arrêt de l'interrupteur. Tout moment d'inattention pendant l'utilisation du taille-haie peut causer de graves blessures.
- **Transporter le taille-haie par la poignée avec la lame à l'arrêt et en prenant soin de ne pas actionner un interrupteur d'alimentation.** Le transport approprié du taille-haie réduit le risque de démarrage par inadvertance et de blessures causées par les lames.
- **Toujours s'assurer que le couvre-lame est installé pour le transport ou le remisage.** Manipuler le taille-haie avec soin permet de réduire le risque de blessures causées par les lames.
- **Lors du dégagement de matières coincées ou de l'entretien de l'unité, s'assurer que tous les interrupteurs d'alimentation sont éteints et que le bloc de batteries est débranché.** L'actionnement accidentel du taille-haie lors du dégagement de matières coincées ou de l'entretien de l'outil peut entraîner des blessures très graves.
- **Lors du dégagement de matières coincées ou de l'entretien de l'unité, s'assurer que tous les interrupteurs d'alimentation sont éteints et que le dispositif de verrouillage est en position verrouillée.** L'actionnement accidentel du taille-haie lors du dégagement de matières coincées ou de l'entretien de l'outil peut entraîner des blessures très graves.
- **Tenir le taille-haie uniquement par les endroits isolés prévus pour la prise de l'outil, car la lame pourrait entrer en contact avec un câble dissimulé.** Si les lames entrent en contact avec un fil sous tension, les parties métalliques non isolées du taille-haie pourraient agir comme conducteur et électrocuter l'utilisateur.

- **Maintenir tous les câbles et cordons d'alimentation à l'écart de la zone de coupe.** Les broussailles et buissons pourraient dissimuler des câbles ou cordons d'alimentation qui pourraient alors être accidentellement sectionnés par la lame.
- **Ne pas utiliser le taille-haie lorsque les conditions météorologiques sont mauvaises, en particulier s'il y a un risque d'éclairs.** pour ne pas courir le risque d'être foudroyé.

Avertissements de sécurité relatifs au taille-haie à portée étendue

- **Afin de réduire les risques d'électrocution, ne jamais utiliser le taille-haie à portée étendue près d'une ligne électrique.** Si l'outil est utilisé près d'une ligne électrique ou qu'il entre en contact avec celle-ci, cela pourrait causer de graves blessures ou une électrocution pouvant entraîner la mort.
- **Toujours utiliser les deux mains pour manipuler le taille-haie à portée étendue.** Tenir le taille-haie avec les deux mains pour éviter d'en perdre le contrôle.
- **Porter un casque en tout temps lorsque vous utilisez le taille-haie à un niveau supérieur à celui de votre tête.** La chute de débris peut causer de graves blessures.

Consignes générales de sécurité



AVERTISSEMENT : Lire les messages d'avertissement qui suivent avant d'utiliser l'appareil.

- Retirer la batterie afin d'éviter le démarrage accidentel de l'appareil.
- Ce produit est un outil dangereux s'il est utilisé de façon insouciant ou inappropriée. Cet outil peut causer des blessures graves, ou même mortelles, à l'utilisateur et à d'autres personnes.
- Ne pas utiliser l'outil si des modifications contraires à ses caractéristiques initiales y ont été apportées. Ne pas modifier une partie de l'outil sans l'approbation du fabricant. Utiliser seulement des pièces homologuées par le fabricant. Des blessures graves ou mortelles peuvent résulter d'un entretien non adéquat.
- Vérifier le produit avant son utilisation. Se reporter à *Dispositifs de sécurité sur l'outil à la page 50* et *Entretien à la page 58*. Ne pas utiliser le produit s'il est endommagé ou ne fonctionne pas correctement. Effectuer les vérifications de sécurité, de maintenance et d'entretien conformément aux instructions fournies dans ce manuel.
- Les enfants doivent être supervisés afin de s'assurer qu'ils ne jouent pas avec l'outil. Ne jamais laisser des enfants ni des personnes n'ayant pas été formées à l'utilisation de l'outil ou de sa batterie utiliser ou entretenir l'outil. La réglementation locale peut fixer l'âge de l'utilisateur.
- Garder le produit dans un endroit verrouillé hors de portée des enfants et des personnes non autorisées.

- Entreposer le produit hors de portée des enfants.
- Votre garantie ne couvre pas les dommages ou la responsabilité causés par l'utilisation d'accessoires ou de pièces de rechange non autorisés.
- La conception du produit ne peut en aucun cas être modifiée sans l'autorisation du fabricant. Toujours utiliser des accessoires d'origine. Les modifications et les accessoires non autorisés peuvent entraîner des blessures graves ou la mort de l'opérateur et d'autres personnes.
- Les vibrations produites pendant l'utilisation de l'outil peuvent différer de la valeur totale déclarée, selon la manière dont l'outil est utilisé. L'utilisateur doit déterminer les mesures de sécurité qui sont nécessaires à sa protection sur la base d'une estimation de son exposition dans les conditions d'utilisation réelles (en tenant compte de chaque phase du cycle opératoire, soit lorsque l'outil est éteint, lorsqu'il est utilisé activement et lorsqu'il fonctionne au ralenti).

Remarque : Des lois nationales ou locales peuvent réglementer l'utilisation. Respecter les réglementations en vigueur.

Consignes de sécurité pour l'utilisation



AVERTISSEMENT : Lire les messages d'avertissement qui suivent avant d'utiliser l'appareil.

- Il est recommandé de consulter un expert en cas de doute. Communiquer avec votre concessionnaire ou votre atelier d'entretien. Éviter toutes les utilisations qui vous semblent difficiles.
- Ne jamais utiliser l'appareil si vous êtes fatigué ou sous l'emprise de drogues, de l'alcool, de médicaments ou de toute substance qui pourrait affecter la vision, l'attention, la coordination des gestes ou le jugement.
- Le fait de travailler par mauvais temps est éprouvant et augmente les risques. En raison des risques supplémentaires, il n'est pas recommandé d'utiliser la machine par très mauvais temps, par exemple en cas de brouillard épais, pluie diluvienne, vent violent, froid intense, risque d'éclair, etc.
- Un outil de coupe inadéquat peut accroître le risque d'accident.
- Ne pas laisser des enfants utiliser l'appareil ou se tenir à proximité de celui-ci. L'appareil étant facile à démarrer, les enfants peuvent le faire démarrer s'ils sont laissés sans surveillance. Cela peut entraîner un risque de blessure grave. Débrancher la batterie lorsque l'appareil n'est pas sous surveillance.
- S'assurer qu'aucune personne ni aucun animal ne s'approche à moins de 15 mètres pendant le travail. Lorsque plusieurs opérateurs travaillent dans la même zone, la distance de sécurité doit être d'au moins 15 mètres. Le non-respect de cette directive

- peut entraîner de graves blessures. Arrêter l'appareil immédiatement si une personne s'approche. Ne jamais entamer un mouvement de balancement avec l'appareil sans d'abord jeter un coup d'œil derrière pour s'assurer que personne ne se trouve dans la zone de sécurité.
- S'assurer qu'aucune personne ni aucun animal ou objet ne gêne le contrôle de l'appareil ou n'entre en contact avec l'outil de coupe ou des objets projetés par l'outil de coupe. Ne pas utiliser l'appareil s'il est impossible d'appeler de l'aide en cas d'accident.
 - Toujours inspecter l'aire de travail. Retirer tous les objets mobiles tels que les pierres, le verre cassé, les clous, les fils de fer, les cordes, etc. qui pourraient être projetés ou s'enrouler autour de l'outil de coupe.
 - S'assurer qu'il est possible de se déplacer et de se tenir debout en toute sécurité. Repérer les obstacles éventuels (racines, roches, branches, fossés, etc.) en cas de déplacement imprévu. Faire très attention lors du travail sur une pente.
 - Se tenir bien campé et en parfait équilibre. Ne pas trop se pencher vers l'avant.
 - Mettre l'outil hors tension avant de passer à une autre zone. Installer le dispositif de protection pour le transport lorsque l'outil n'est pas utilisé.
 - Ne jamais déposer le produit sans le mettre hors tension. Ne pas laisser l'appareil sans surveillance quand il est sous tension.
 - Retirer la batterie avant de passer l'appareil à une autre personne.
 - S'assurer qu'aucun vêtement ni aucune partie du corps n'entre en contact avec l'outil de coupe lorsque l'appareil est sous tension.
 - Si un objet se bloque dans l'outil de coupe alors que l'appareil est utilisé, arrêter l'appareil et le mettre hors tension. Vérifier que l'outil de coupe s'est immobilisé. Retirer la batterie avant de nettoyer, inspecter ou réparer l'appareil ou l'outil de coupe.
 - Lors de la mise hors tension de l'appareil, garder les mains et les pieds à l'écart de l'outil de coupe jusqu'à l'immobilisation de celui-ci.
 - Prendre garde aux éclats de bois qui peuvent être projetés lors de la coupe. Ne pas couper trop près du sol; des pierres ou d'autres objets pourraient d'être projetés.
 - Faire preuve de prudence à l'égard des projections d'objets. Toujours porter des lunettes de protection homologuées. Ne jamais se pencher au-dessus du dispositif de protection de l'outil de coupe. Des pierres, des débris, etc. peuvent être projetés dans vos yeux, ce qui peut causer la cécité ou des blessures graves.
 - Quand un dispositif de protection pour les oreilles est utilisé, rester attentif aux appels ou cris d'avertissement. Toujours retirer le dispositif de protection pour les oreilles dès que l'appareil s'arrête.
 - Ne jamais travailler debout sur une échelle, un tabouret ou un autre dispositif surélevé qui n'est pas solidement fixé.
 - Cette machine produit un champ électromagnétique pendant le fonctionnement. Ce champ magnétique peut, dans certains cas, nuire aux implants médicaux actifs ou passifs. Pour réduire le risque de blessures graves ou mortelles, nous recommandons aux personnes ayant des implants médicaux de consulter leur médecin et le fabricant de l'implant médical avant d'utiliser la machine.
 - Toujours tenir l'appareil des deux mains. Tenir l'appareil sur le côté droit du corps.
 - Toujours arrêter le moteur, retirer la batterie et s'assurer que l'outil de coupe ne tourne pas avant de retirer l'herbe enroulée autour de l'arbre ou coincée entre le dispositif de protection et l'outil de coupe.
 - Le champ électromagnétique pendant le fonctionnement peut interférer avec les prothèses médicales actives ou passives. Les personnes qui portent des prothèses médicales doivent consulter leur médecin et le fabricant de la prothèse avant d'utiliser ce produit.
 - Tenir le poids du produit avec le harnais pour en faciliter l'utilisation.
 - L'exposition prolongée au bruit peut causer des lésions auditives permanentes. Husqvarna recommande d'utiliser un dispositif de protection homologué pour les oreilles.
 - Ne jamais utiliser un appareil qui a été modifié de quelque manière que ce soit par rapport aux spécifications d'origine.
 - Ne jamais utiliser un appareil défectueux. Effectuer les vérifications de sécurité, de maintenance et d'entretien conformément aux instructions fournies dans ce manuel. Certaines réparations et tâches d'entretien doivent être effectuées par des spécialistes formés et qualifiés. Voir les instructions à la section Entretien.
 - Effectuer une inspection générale de l'appareil avant de l'utiliser. Consulter le calendrier d'entretien.
 - Ne jamais laisser des gens utiliser la machine sans d'abord s'assurer qu'ils ont lu et compris le contenu du manuel de l'opérateur.
 - Vérifier l'aire de travail à la recherche d'obstacles comme des câbles électriques, un animal, etc. ou de tout autre objet susceptible d'endommager l'accessoire de coupe comme un objet en métal.
 - Des lames en mauvais état augmentent le risque d'accident.

Équipement de protection personnelle



AVERTISSEMENT : Lire les messages d'avertissement qui suivent avant d'utiliser l'appareil.

- Toujours utiliser un équipement de protection personnelle homologué lors de l'utilisation de l'appareil. Cet équipement de protection personnelle

n'élimine pas complètement les risques de blessures, mais il peut en réduire la gravité en cas d'accident. Laisser le concessionnaire vous aider à sélectionner l'équipement adéquat.

- Porter un casque de protection en cas de risque de chute d'objets.
- L'exposition prolongée au bruit peut causer des lésions auditives. En règle générale, les outils alimentés par batterie sont relativement silencieux, mais peuvent tout de même causer des lésions auditives en raison d'une combinaison de niveau sonore et d'un usage prolongé. Husqvarna recommande aux utilisateurs d'utiliser des protecteurs d'oreille lors de l'utilisation des produits pendant des périodes prolongées dans une journée. Les utilisateurs permanents et réguliers doivent faire vérifier régulièrement leur ouïe.

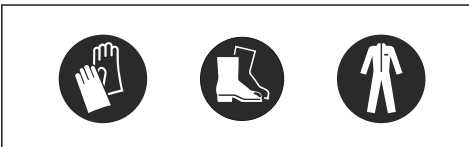


AVERTISSEMENT : Les protecteurs d'oreille limitent la capacité d'entendre les sons et les signaux d'avertissement.

- Utiliser un dispositif de protection homologué pour les yeux. Porter également des lunettes de protection homologuées en cas d'utilisation d'une visière. Les lunettes de protection homologuées doivent être conformes à la norme ANSI Z87.1 aux États-Unis ou à la norme EN 166 dans les pays de l'Union européenne.
- Utiliser une visière pour protéger le visage. La visière n'est pas suffisante pour protéger les yeux.



- Utiliser des gants au besoin, par exemple lors de la fixation, de l'examen ou du nettoyage de l'instrument de coupe.
- Porter des bottes ou chaussures antidérapantes robustes.
- Utiliser des vêtements faits de tissus résistants. Toujours utiliser des pantalons longs et lourds et des manches longues. Ne pas porter des vêtements amples qui peuvent se prendre dans les broussailles et les branches. Ne pas porter des bijoux, des pantalons courts, des sandales et ne pas marcher pieds nus. Garder les cheveux au-dessus des épaules.



- Garder une trousse de premiers soins à portée de main.



Dispositifs de sécurité sur l'outil



AVERTISSEMENT : Lire les messages d'avertissement qui suivent avant d'utiliser l'appareil.

Cette section décrit l'équipement de sécurité du produit, son but et la façon d'en effectuer les inspections et l'entretien afin de s'assurer qu'il fonctionne correctement. Consulter les instructions sous la rubrique *Présentation de l'appareil à la page 43* pour trouver où ces pièces se trouvent sur votre produit.

La durée de vie du produit peut être réduite et le risque d'accident peut augmenter si l'entretien de la machine n'est pas effectué correctement et si l'entretien ou les réparations ne sont pas effectués de façon professionnelle. Pour obtenir de plus amples informations, veuillez communiquer avec votre concessionnaire le plus proche.



AVERTISSEMENT : Ne jamais utiliser un produit dont les composants de sécurité sont endommagés. L'équipement de sécurité du produit doit être inspecté et entretenu selon les directives de la présente section. Si une inspection de la machine détecte une panne, communiquer avec un atelier spécialisé pour réparation.

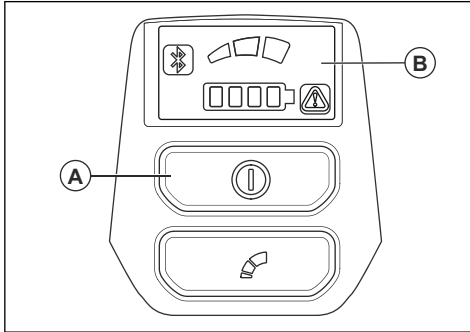


MISE EN GARDE : Tous les travaux de réparation nécessitent une formation spéciale. Ceci concerne particulièrement l'équipement de sécurité de la machine. Si les contrôles suivants ne donnent pas un résultat positif, vous devez communiquer avec un atelier spécialisé. L'achat de l'un de nos produits offre à l'acheteur la garantie d'un service et de réparations qualifiés. Si le détaillant qui vous a vendu la machine n'est pas un centre de service agréé, demandez-lui l'adresse de l'atelier spécialisé le plus proche.

Vérification de l'interface utilisateur

1. Maintenir enfoncé le bouton de marche/arrêt (A).

- a) Quand le produit est sous tension, l'écran s'allume.

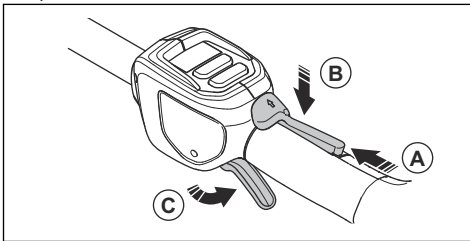


- b) Quand le produit est hors tension, l'écran s'éteint.

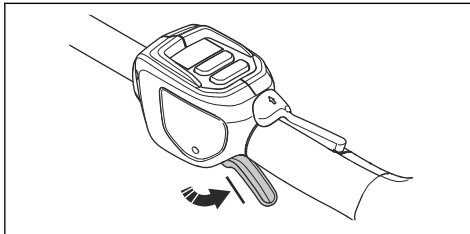
2. Si le témoin d'avertissement sur l'écran s'allume ou clignote, se reporter à *Dépannage* à la page 60.

Vérification du verrouillage de la gâchette

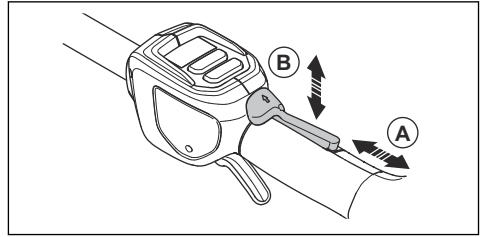
Le mécanisme de verrouillage de la gâchette empêche le fonctionnement accidentel de celle-ci. Lorsqu'on appuie sur le dispositif de verrouillage de la gâchette de puissance vers l'avant (A), puis sur le dispositif de verrouillage de la gâchette de puissance contre la poignée (B), la gâchette de puissance (C) est relâchée. Quand la poignée est relâchée, la gâchette et son mécanisme de verrouillage retournent à leur position initiale. Ce mouvement est actionné par trois ressorts indépendants.



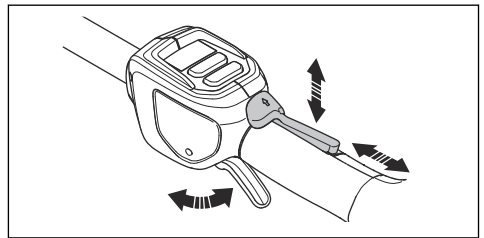
1. Vérifier que la gâchette est verrouillée quand le bouton de verrouillage est à sa position initiale.



2. Appuyer sur dispositif de verrouillage de la gâchette de puissance vers l'avant (A) et vers le bas. Appuyer sur le dispositif de verrouillage de la gâchette de puissance contre la poignée (B) et s'assurer qu'elle retourne à sa position initiale une fois relâchée.



3. Vérifier que la gâchette de puissance et son dispositif de verrouillage bougent librement et que le ressort de retour fonctionne correctement.



4. Démarrer le produit, se reporter à *Mise sous tension de l'appareil* à la page 55.
5. Enfoncer complètement la gâchette de puissance pour faire tourner le moteur à plein régime.
6. Relâcher la gâchette et vérifier que l'outil de coupe s'immobilise.

Pour effectuer une vérification du pignon conique et de la boîte de vitesses



AVERTISSEMENT : Pour éviter les brûlures, laisser le produit refroidir avant de toucher le pignon conique et la boîte de vitesses.

- Effectuer une inspection visuelle pour détecter d'éventuels dommages ou déformation.

Vérification du protège-main

Le protège-main empêche que la main entre accidentellement en contact avec les lames.

1. Mettre l'outil hors tension.
2. Retirer la batterie.
3. Vérifier que le protège-main est bien fixé.
4. Inspecter le protège-main pour détecter d'éventuels dommages

Pour vérifier les lames

1. Éteindre le produit.
2. Retirer la batterie.
3. Enfiler des gants de protection.
4. S'assurer que les lames ne sont ni endommagées ni pliées. Remplacer les lames si elles sont tordues ou endommagées.

Sécurité en matière de batteries



AVERTISSEMENT : Lire les messages d'avertissement qui suivent avant d'utiliser l'appareil.

- N'utiliser que la batterie BLi200 ou 40-B220X. Se reporter à *Batteries approuvées à la page 62*. La batterie est un logiciel crypté.
- Utiliser la batterie BLi200 ou 40-B220X qui est rechargeable en tant que source d'alimentation pour les produits Husqvarna connexes seulement. Pour éviter les blessures, ne pas utiliser la batterie en tant que source d'alimentation pour d'autres appareils.
- Risque de décharge électrique. Ne pas raccorder les bornes de la batterie à des clés, des pièces de monnaie, des vis ou tout autre élément métallique. Cela peut provoquer un court-circuit de la batterie.
- Ne pas utiliser des batteries non rechargeables.
- Ne pas placer d'objet dans les fentes de ventilation de la batterie.
- Maintenir la batterie à l'écart de la lumière du soleil, de la chaleur et des flammes nues. La batterie peut causer des brûlures et/ou des brûlures chimiques.
- Garder la batterie à l'écart de la pluie et de l'humidité.
- Garder la batterie à l'écart des micro-ondes et des pressions élevées.
- Ne pas essayer de démonter ou de briser la batterie.
- S'il y a une fuite au niveau de la batterie, ne pas laisser le liquide toucher la peau ou les yeux. Si on touche le liquide, nettoyer la zone avec une grande quantité d'eau et de savon et consulter un médecin. Si le liquide entre en contact avec les yeux, ne pas les frotter; mais les rincer avec de l'eau pendant au moins 15 minutes et consulter un médecin.
- Utiliser la batterie dans une température comprise entre -10 °C (14 °F) et 40 °C (114 °F).
- Ne pas nettoyer la batterie ou le chargeur de batterie avec de l'eau. Se reporter à *Pour nettoyer le produit, la batterie et le chargeur de batterie. à la page 58*.
- Ne pas utiliser une batterie défectueuse ou endommagée.
- Garder les piles dans le local de rangement, à l'écart des objets métalliques tels que les clous, les vis ou les bijoux.
- Maintenir la batterie à l'écart des enfants.

Sécurité du chargeur de batteries



AVERTISSEMENT : Lire les messages d'avertissement qui suivent avant d'utiliser l'outil.

- Risque de décharge électrique et de court-circuit si les consignes de sécurité ne sont pas suivies.
- Utiliser des prises murales mises à la terre approuvées qui ne sont pas endommagées.
- Ne pas utiliser d'autres chargeurs de batterie que ceux fournis pour votre produit. Utiliser uniquement des chargeurs Husqvarna QC lors du chargement des batteries de recharge Husqvarna BLi.
- Ne pas essayer de démonter le chargeur de batterie.
- Ne pas utiliser un chargeur de batterie défectueux ou endommagé.
- Ne pas soulever le chargeur de batterie au moyen du cordon d'alimentation. Pour débrancher le chargeur de batteries de la prise murale, tirer la fiche. Ne pas tirer le cordon d'alimentation.
- Tenir les câbles et les rallonges à l'écart de l'eau, de l'huile et des arêtes coupantes. S'assurer que le câble n'est pas coincé entre des portes, des barrières ou des objets semblables.
- Ne pas utiliser le chargeur de batterie à proximité de matériaux inflammables ou de matériaux qui peuvent engendrer une corrosion. S'assurer qu'il n'y a aucun couvercle sur le chargeur de batterie. Débrancher la prise du chargeur de batterie en cas de fumée ou d'incendie.
- Recharger la batterie seulement dans un endroit clos avec une bonne ventilation et à l'écart de la lumière. Ne pas charger la batterie à l'extérieur. Ne pas charger la batterie dans des conditions humides.
- Utiliser le chargeur de batterie seulement lorsque la température est comprise entre 5 °C (41 °F) et 40 °C (104 °F). Utiliser le chargeur dans un environnement bien ventilé, sec et exempt de saleté.
- Ne pas placer d'objet dans les fentes de refroidissement du chargeur de batterie.
- Ne pas raccorder les bornes du chargeur de batterie aux objets métalliques, car cela peut court-circuiter le chargeur de batterie.
- Utiliser uniquement des rallonges à trois fils destinées à un usage extérieur dotées de fiches de mise à la terre à trois broches et de prises de mise à la terre adaptées à la fiche de l'appareil.
- Utiliser un dispositif de protection contre les courants résiduels (RCD) pour accroître la sécurité. Un dispositif de protection contre les courants résiduels est installé afin de prévenir les blessures causées par un défaut d'origine électrique.
- Quand on utilise un outil électrique à l'extérieur, se servir d'une rallonge qui convient à un fonctionnement à l'extérieur. L'utilisation d'une telle rallonge réduit le risque d'électrocution.

- S'assurer régulièrement que le fil de branchement du chargeur de batterie est intact et qu'il ne présente pas de fissure.
- Examinez régulièrement les rallonges et les remplacer si elles sont endommagées.

Consignes de sécurité pour la maintenance



AVERTISSEMENT : Lire les messages d'avertissement qui suivent avant de procéder à l'entretien du produit.

- Retirer la batterie avant d'effectuer l'entretien, de procéder à d'autres contrôles ou d'assembler le produit.
- L'opérateur ne doit effectuer que les travaux de réparation et d'entretien décrits dans ce manuel d'utilisation. Se rendre dans le centre de service agréé pour les travaux de réparation ou d'entretien plus importants.
- Ne pas nettoyer la batterie ou le chargeur de batterie avec de l'eau. Les détergents puissants peuvent endommager le plastique.

- En absence d'entretien, cela réduit la durée de vie du produit et augmente le risque d'accidents.
- Une formation spécifique est nécessaire pour tous les travaux d'entretien et de réparation, en particulier pour les dispositifs de sécurité sur le produit. Si toutes les vérifications indiquées dans ce manuel d'utilisation ne sont pas homologuées une fois l'entretien effectué, se rendre dans le centre de service La disponibilité des réparations et des entretiens effectués de façon professionnelle est garantie pour votre produit.
- Garder les dents de la lame correctement affûtées. Toujours respecter nos recommandations. Voir aussi les instructions sur l'emballage de la lame.
- Utiliser des pièces de rechange d'origine.
- Toujours porter des gants très résistants lors de la réparation de l'outil de coupe. Les lames sont très tranchantes et peuvent facilement provoquer des coupures.

Montage

Introduction

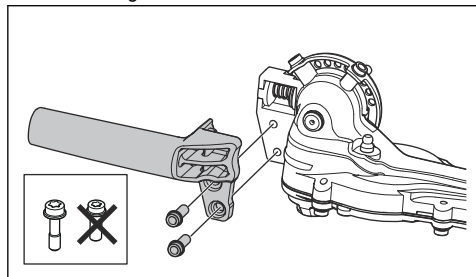
Cette section décrit la procédure à suivre pour monter et régler le produit.



AVERTISSEMENT : Avant de procéder au montage du produit, veuillez lire le chapitre sur la sécurité et les instructions de montage.

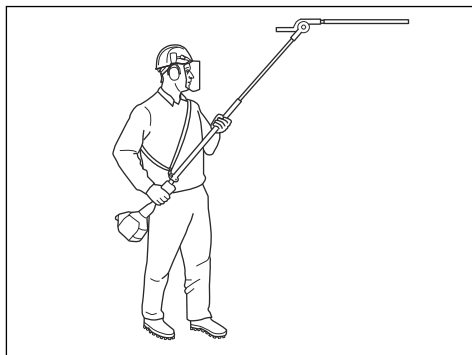
Installation de la poignée

- Installer le guidon à l'aide de 2 vis.



pendant l'utilisation du produit. Le harnais diminue le risque de fatigue corporelle.

1. Enfiler le harnais.
2. Fixer le produit sur le crochet de support du harnais.
3. Régler la longueur du harnais jusqu'à ce que le crochet de support soit à la hauteur de la hanche de l'utilisateur.



Pour régler le harnais

Toujours porter le harnais lors de l'utilisation de la machine. Le harnais assure un contrôle maximal

Fonctionnement

Introduction



AVERTISSEMENT : Avant d'utiliser le produit, lire et bien comprendre le chapitre sur la sécurité.

Pour brancher le chargeur de batterie

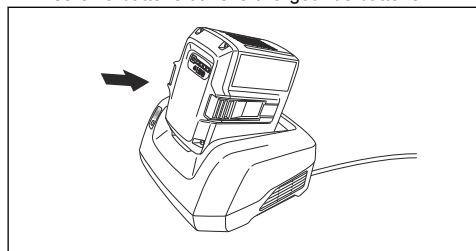
1. Brancher le chargeur de batterie à la tension et la fréquence indiquées sur la plaque signalétique.
2. Placer la fiche dans une prise mise à la terre. La DEL du chargeur de batterie clignote en vert une fois.

Remarque : La batterie ne se charge pas si sa température est supérieure à 50 °C (122 °F). Si la température est supérieure à 50 °C (122 °F), le chargeur de batterie refroidit la batterie.

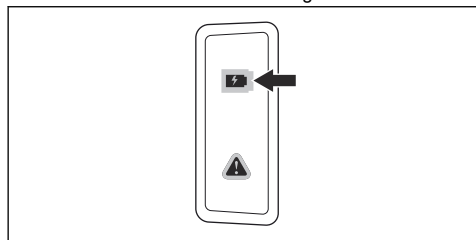
Pour charger la batterie

Remarque : Charger la batterie lors de la première utilisation. Une batterie neuve n'est chargée qu'à 30 %.

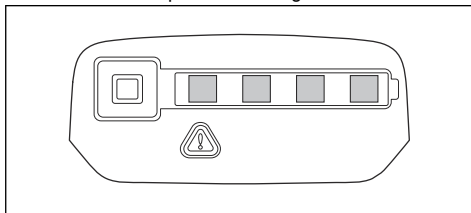
1. S'assurer que la batterie est sèche.
2. Insérer la batterie dans le chargeur de batterie.



3. S'assurer que le voyant de charge vert du chargeur de batterie s'allume. Cela signifie que la batterie est correctement raccordée au chargeur de batterie.



4. Lorsque toutes les DEL de la batterie s'allument, la batterie est complètement chargée.



5. Pour débrancher le chargeur de batteries de la prise murale, tirer la fiche. Ne pas tirer le câble.
6. Retirer la batterie du chargeur de batterie.

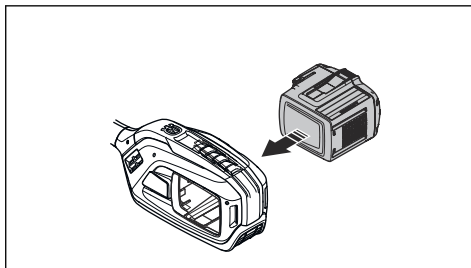
Remarque : Se reporter aux manuels de la batterie et du chargeur de batterie pour obtenir de plus amples renseignements.

Branchement de la batterie



AVERTISSEMENT : Utiliser uniquement des batteries d'origine Husqvarna avec le produit.

1. Vérifier que la batterie est chargée à bloc.
2. Pousser la batterie dans le porte-batterie de l'appareil. Quand la batterie se bloque en position, un déclic se fait entendre.



MISE EN GARDE : Si la batterie ne s'insère pas facilement dans le porte-batterie, elle n'est pas bien installée. Cela pourrait endommager le produit.

3. Vérifier que le protège-main est bien installé.

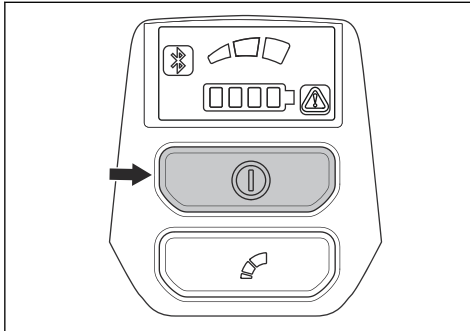
Avant de démarrer le produit

1. Vérifier la zone de travail. Retirer les objets susceptibles d'être projetés.
2. Vérifier l'outil de coupe. S'assurer que les couteaux sont très tranchants, et qu'ils sont exempts de fissures et de dommages.

3. S'assurer que le produit fonctionne correctement. Vérifier le serrage de l'ensemble des écrous et des vis.
4. S'assurer que la poignée et les dispositifs de sécurité sont en bon état et sont correctement fixés. Ne pas utiliser un produit avec des pièces manquantes ou dont les spécifications initiales ont été modifiées. Utiliser des gants de protection lorsque c'est nécessaire.
5. S'assurer que les volets ne sont pas endommagés et sont correctement fixés, avant d'utiliser le produit.

Mise sous tension de l'appareil

1. Placer le produit en position de démarrage.
2. Appuyer sur le bouton de marche et le maintenir enfoncé jusqu'à ce que la DEL verte s'allume.

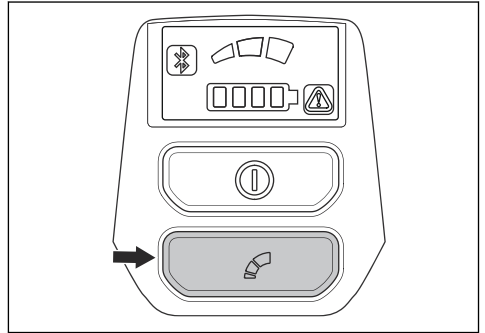


3. Utiliser le commutateur d'activation pour commander la vitesse.

Limitation de la vitesse maximale à l'aide du bouton de mode

L'appareil est équipé d'un bouton de mode. Le bouton de mode permet à l'opérateur de limiter le régime maximal. Le bouton de mode présente 3 niveaux de vitesse. Un niveau inférieur augmente le temps de fonctionnement du produit. Utiliser les niveaux 1 et 2 si l'opération ne nécessite pas un plein régime ou une pleine puissance. Si les conditions de fonctionnement nécessitent une pleine vitesse/pleine puissance, utiliser le niveau 3. Ne pas utiliser un niveau plus élevé que nécessaire pour l'opération.

1. Appuyer sur le bouton de mode pour définir une limite au régime maximal. Les témoins à DEL blancs s'allument pour indiquer que la fonction est activée.



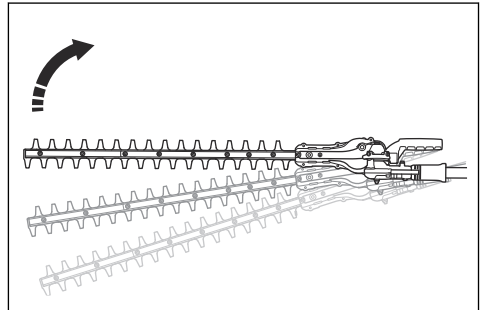
2. Appuyer de nouveau sur le bouton de mode pour choisir le niveau de vitesse suivant.

Fonction d'arrêt automatique

L'outil est équipé d'une fonction d'arrêt automatique qui l'éteint quand il n'est pas utilisé. Le témoin à DEL vert de marche-arrêt s'éteint et le produit s'arrête après 30 minutes.

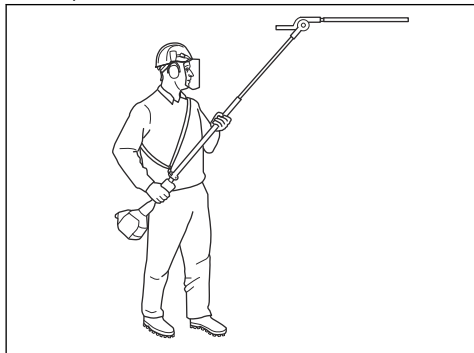
Utilisation du produit

1. Démarrer à proximité du sol et déplacer le produit en même temps le long de la haie lorsqu'on coupe les côtés.

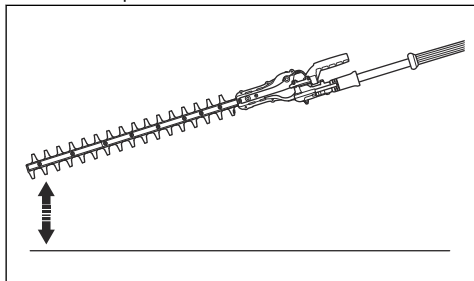


2. Régler la vitesse selon la charge de travail.
3. S'assurer que le moteur ne touche pas la haie.

4. Tenir le produit à proximité du corps pour obtenir une position de travail stable.



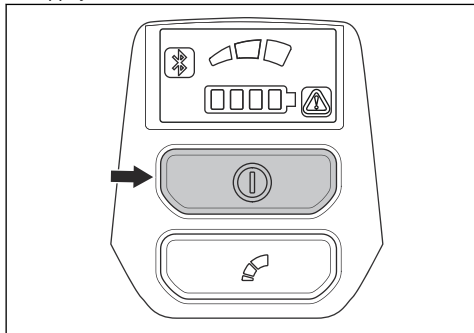
5. S'assurer que l'extrémité de l'équipement de coupe ne touche pas le sol.



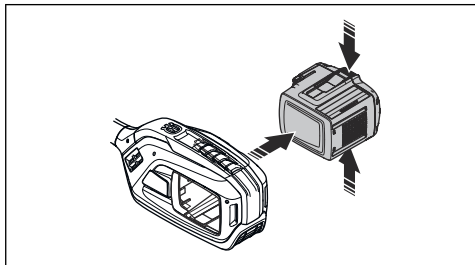
6. Faire preuve de prudence et travailler lentement jusqu'à ce que toutes les branches soient correctement coupées.

Arrêt de la machine

1. Relâcher la gâchette ou son mécanisme de verrouillage.
2. Placer le produit en position d'arrêt.
3. Appuyer sur le bouton d'arrêt.



4. Appuyer sur les boutons de déverrouillage de la batterie et retirer la batterie.



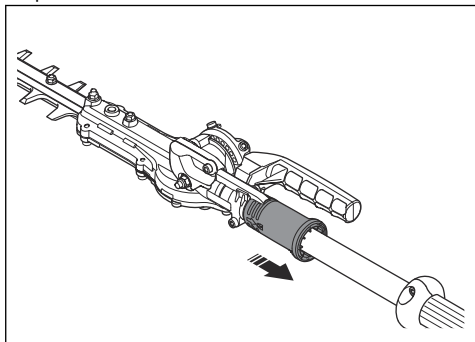
Pour régler l'angle de l'unité de coupe

L'unité de coupe peut être réglée à dix positions différentes.

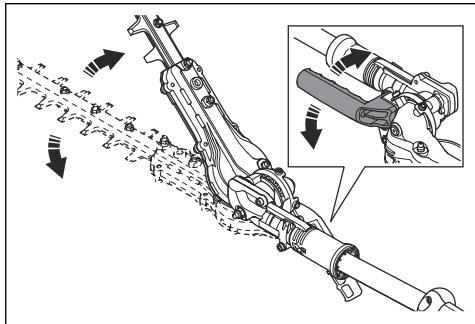


AVERTISSEMENT : Ne pas actionner l'unité de coupe lors du réglage de l'angle.

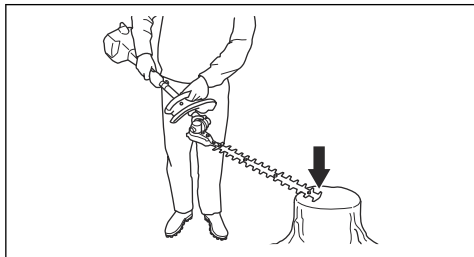
1. Éteindre le produit.
2. Tirez vers le bas sur la poignée de réglage de la position.



3. Incliner l'unité de coupe dans la position correcte. Utiliser l'une des procédures suivantes.
 - a) Utiliser la poignée.



- b) Pousser l'extrémité de l'unité de coupe contre une surface stable.



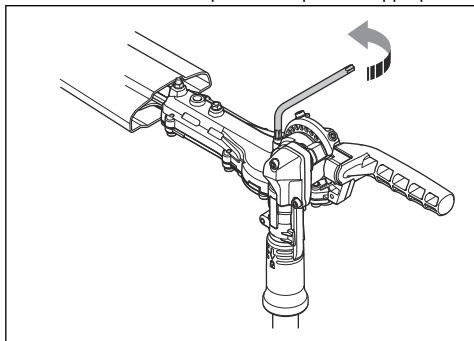
- Relâcher la poignée de réglage de la position pour verrouiller l'unité de coupe.
- Pousser l'unité de coupe contre la haie pour s'assurer qu'elle est verrouillée.

Pour régler le frottement à des fins de réglage de l'angle



AVERTISSEMENT : Ne pas actionner l'unité de coupe lors du réglage du frottement.

- Éteindre le produit.
- Installer la protection de transport sur l'unité de coupe.
- Tirez vers le bas sur la poignée de réglage de la position.
- Incliner l'unité de coupe dans la position appropriée.



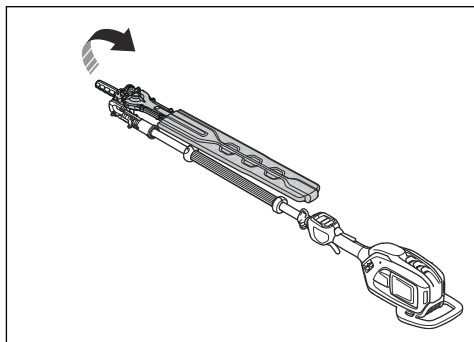
- Tourner la vis pour régler le frottement.
- Régler l'unité de coupe dans différentes positions pour essayer le frottement.

Pour régler l'outil à la position de transport



AVERTISSEMENT : Ne pas démarrer le produit lorsqu'il est en position de transport.

- Éteindre le produit.
- Installer la protection de transport sur l'unité de coupe.
- Tirez vers le bas sur la poignée de réglage de la position.
- Plier l'unité de coupe pour la rendre parallèle à l'arbre.



Husqvarna Fleet Services™

L'application Husqvarna Fleet Services™ est une solution dans le nuage qui donne au gestionnaire d'une flotte commerciale un aperçu de tous les produits. Husqvarna Fleet Services™ peut être ajouté à 525iHE3 et 525iHE4. Pour obtenir de plus amples renseignements sur l'application Husqvarna Fleet Services™, se reporter à www.husqvarna.com.

Bluetooth® technologie sans fil

Les produits Bluetooth® dotés de la technologie sans fil intégrée peuvent se connecter à des appareils mobiles et permettre des fonctions supplémentaires.

Le symbole de la technologie sans fil Bluetooth® s'allume lorsque votre appareil mobile est connecté au produit.



Pour se connecter au produit avec l'application Husqvarna Fleet Services™

- Télécharger l'application Husqvarna Fleet Services™ sur votre appareil mobile.
- Ouvrir une session sur l'application Husqvarna Fleet Services™.
- Suivre les instructions pour jumeler le produit à l'application Husqvarna Fleet Services™.

Entretien

Introduction



AVERTISSEMENT : Lire et comprendre le chapitre sur la sécurité avant de faire l'entretien du produit.

Calendrier d'entretien



AVERTISSEMENT : Retirer la batterie avant de procéder à l'entretien.

Entretien	Avant l'utilisation	Hebdomadaire	Mensuel
Nettoyer les pièces externes de l'outil.	X		
Vérifier que l'interrupteur de marche/arrêt n'est pas endommagé et qu'il fonctionne correctement.	X		
Vérifier que la gâchette et son mécanisme de verrouillage fonctionnent correctement et de façon sécuritaire.	X		
Vérifier que toutes les commandes fonctionnent et qu'elles ne sont pas endommagées.	X		
Vérifier que la lame de coupe et le protège-lame ne sont pas fissurés ou endommagés. Remplacer la lame de coupe ou le protège-lame s'ils sont fissurés ou s'ils ont reçu un choc.	X		
Vérifier que la lame de coupe n'est pas pliée. Remplacer la lame de coupe si celle-ci est pliée.	X		
Vérifier que le protège-main n'est pas endommagé. Remplacer le protège-lame s'il est endommagé.	X		
Vérifier que les vis et les écrous sont bien serrés.	X		
Vérifier que la batterie n'est pas endommagée.	X		
Vérifier que la batterie est chargée.	X		
Vérifier que le chargeur de batterie n'est pas endommagé.	X		
S'assurer que le verrou de position de l'unité de coupe n'est pas endommagé et qu'il fonctionne correctement.	X		
Vérifier que les vis qui maintiennent les lames ensemble sont correctement serrées.		X	
Vérifier les points de connexion entre la batterie et l'appareil. Examiner également le point de connexion entre la batterie et le chargeur.			X

Pour examiner la batterie et le chargeur de batterie

1. Examiner la batterie pour détecter des dommages éventuels, par exemple des fissures.
2. Examiner le chargeur de batterie pour détecter des dommages éventuels, par exemple des fissures.
3. S'assurer que le cordon de raccordement du chargeur de batterie est intact et qu'il ne présente pas de fissure.

Pour nettoyer le produit, la batterie et le chargeur de batterie.

1. Nettoyer le produit à l'aide d'un chiffon sec après utilisation.
2. Nettoyer la batterie et chargeur de batterie à l'aide d'un chiffon sec. Garder les chemins de guidage de la batterie propres.

3. S'assurer que les bornes de la batterie et le chargeur de batterie sont propres avant de placer la batterie dans le chargeur de batterie ou sur le produit.

Pour nettoyer et lubrifier les lames

1. Nettoyer les lames de tout matériau indésirable avant et après l'utilisation du produit.
2. Lubrifier les lames avant une longue période de remisage.

Remarque : Pour obtenir de plus amples renseignements sur les lubrifiants et les produits de nettoyage recommandés, communiquer avec votre centre de services.

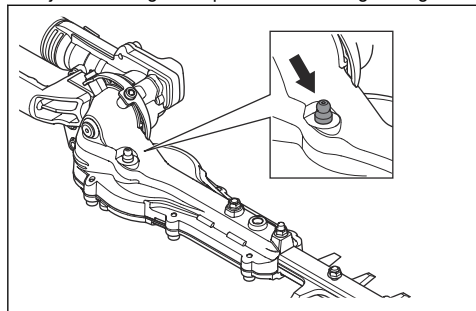
Pour lubrifier le pignon conique et la boîte de vitesses



AVERTISSEMENT : Pour éviter les brûlures, laisser le produit refroidir avant de toucher le pignon conique et la boîte de vitesses.

Remarque : Les nouveaux produits sont d'abord remplis de graisse après environ 20 heures de fonctionnement.

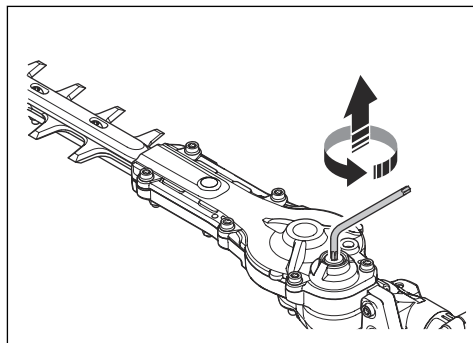
- Utiliser de la graisse spéciale Husqvarna. Pour obtenir de plus amples renseignements, communiquer avec votre centre de services.
- Ajouter de la graisse par le raccord de graissage.



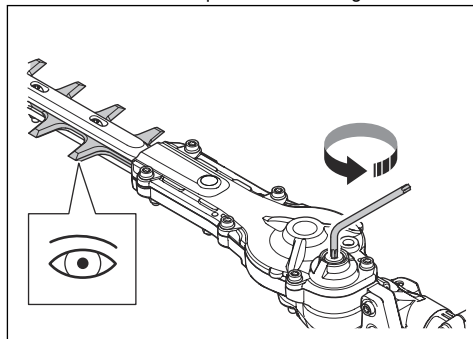
MISE EN GARDE : Ne pas remplir complètement la boîte de vitesses.

Pour examiner les lames

1. Retirer la vis de la boîte de vitesses.



2. Placer la clé Torx T27 dans la boîte de vitesses et la tourner dans le sens horaire, puis dans le sens antihoraire. Vérifier que les lames bougent librement.



3. Examiner les bords des lames à la recherche de dommages et de déformation.
4. Retirer les bavures sur les lames à l'aide d'une lime.
5. Effectuer l'installation dans l'ordre inverse.

Dépannage

Lame

Problème	Causes possibles	Étape recommandée
La lame tourne lentement ou pas du tout.	La lame est bloquée ou endommagée.	Dégager les lames de tout matériau indésirable. Se reporter à <i>Pour nettoyer et lubrifier les lames à la page 59</i> . Éliminer les bavures de la lame, se reporter à <i>Pour examiner les lames à la page 59</i> . Remplacer la lame si elle est endommagée.
La lame ne coupe pas facilement.	La lame n'est pas assez aiguisée ou est endommagée.	Affûter la lame, se reporter à <i>Pour examiner les lames à la page 59</i> . Remplacer la lame si elle est endommagée.
La lame devient très chaude.	Il y a frottement entre les lames.	Éliminer les bavures et lubrifier la lame. Se reporter à <i>Pour examiner les lames à la page 59</i> .

Interface utilisateur

Problème	Anomalies potentielles	Action possible
Le témoin à DEL de la batterie clignote en orange.	Tension de batterie faible.	Charger la batterie.
Le témoin d'erreur à DEL clignote en rouge	Surcharge.	L'outil de coupe est coincé. Éteindre le produit. Retirer la batterie. Dégager les matériaux indésirables de l'instrument de coupe.
	Écart de température.	Laisser l'outil refroidir!
	Appuyer simultanément sur la gâchette et le bouton de marche.	Relâcher la gâchette et l'outil est en marche.
Le produit ne démarre pas	Il y a des impuretés dans les connecteurs de batterie.	Nettoyer les connecteurs de batterie à l'air comprimé ou à l'aide d'une brosse douce.
Le témoin d'erreur rouge est allumé	L'outil doit faire l'objet d'un entretien.	Communiquer avec un service d'entretien.

Batterie

Problème	Anomalies potentielles	Solution possible
La DEL verte clignote	Tension de batterie faible.	Charger la batterie.
La DEL rouge d'anomalie clignote	La batterie est à plat.	Charger la batterie
	Écart de température.	Utiliser la batterie dans une température comprise entre -10°C (14°F) et 40°C (104°F).
	Sur-tension	Retirer la batterie du chargeur.

Problème	Anomalies potentielles	Solution possible
La DEL rouge d'anomalie s'allume.	L'écart entre les cellules est trop élevé (1 V).	Communiquer avec votre centre de services.

Chargeur de batterie

Problème	Anomalies potentielles	Solution possible
La DEL rouge d'anomalie clignote	Écart de température.	Utiliser le chargeur de batterie dans une température comprise entre 5 °C (41 °F) et 40 °C (104 °F).
La DEL rouge d'anomalie s'allume.		Communiquer avec votre centre de services.

Transport, entreposage et mise au rebut

Transport et entreposage

- Les batteries au lithium-ion fournies respectent les exigences de la loi sur les produits dangereux.
- Respecter l'exigence spéciale relative à l'emballage et aux étiquettes pour le transport commercial, y compris par des tiers et des transitaires.
- Communiquer avec une personne ayant une formation spéciale en matière de composés dangereux avant d'envoyer le produit. Respecter tous les règlements nationaux applicables.
- Utiliser du ruban adhésif sur des contacts ouverts lorsque vous emballez la batterie. Placer la batterie dans un emballage hermétique pour éviter tout mouvement.
- Déposer la batterie à des fins de remisage ou de transport.
- Placer la batterie et le chargeur de batterie dans un espace sec et exempt d'humidité et de gel.
- Ne pas maintenir la batterie dans une zone où l'électricité statique peut se développer. Ne pas entreposer la batterie dans une boîte métallique.
- Entreposer la batterie dans un endroit où la température est comprise entre 5 °C (41 °F) et 25 °C (77 °F) et à l'écart des rayons directs du soleil.
- Entreposer le chargeur de batterie dans un endroit où la température est comprise entre 5 °C (41 °F) et 45°C (113 °F) et à l'écart des rayons directs du soleil.
- Utiliser le chargeur de batterie seulement lorsque la température ambiante est comprise entre 5 °C (41 °F) et 40 °C (104 °F).
- Charger la batterie entre 30 % et 50 % avant de la remettre pour une longue période.

- Entreposer le chargeur de batterie dans un endroit clos et sec.
- Tenir la batterie à l'écart du chargeur de batterie pendant la période d'entreposage. Ne pas laisser des enfants et d'autres personnes non autorisées toucher l'équipement. Maintenir l'équipement dans un endroit qui peut être verrouillé.
- Nettoyer le produit et effectuer un entretien complet avant de l'entreposer dans le local de rangement pendant une longue période.
- Utiliser le fourreau de transport sur le produit afin d'éviter des blessures ou des dommages au produit pendant le transport et le remisage.
- Fixer le produit de façon sécuritaire pendant le transport.

Mise au rebut de la batterie, du chargeur de batterie et de l'outil

Les symboles figurant sur l'outil ou son emballage indiquent qu'il ne s'agit pas d'une ordures ménagère. Recycler dans un centre de recyclage pour équipements électriques et électroniques. De cette façon, vous ne nuirez pas à l'environnement.

Pour savoir comment recycler ce produit, communiquer avec les autorités locales, le service de ramassage des ordures ménagères ou votre concessionnaire.

Données techniques

Caractéristiques techniques

	525iHE3	525iHE4
Moteur		
Type de moteur (BLDC = à courant continu sans balais)	Moteur à courant continu sans balais (BLDC) E-torq de Husqvarna	Moteur à courant continu sans balais (BLDC) E-torq de Husqvarna
Poids		
Poids sans batterie, lb/kg	À DÉFINIR	11,0/5,0
Poids avec batterie, lb/kg	À DÉFINIR	14,1/6,4
Barre de coupe		
Type	Double tranchant	Double tranchant
Longueur de coupe, mm/po	À DÉFINIR	23,6/600
Vitesse de découpe, coupes/min	À DÉFINIR	4400
Niveaux sonores ⁵		
Niveau de pression sonore à l'oreille de l'utilisateur mesuré selon la norme EN 62841-4-2 dB(A)	89	88
Niveaux de vibrations ⁶		
Niveaux de vibrations équivalents ($a_{hv,eq}$) au niveau des poignées, mesurés selon la norme EN ISO 10517, en m/s^2 :		
Avant/arrière, m/s^2	À DÉFINIR	5,2/3,4

Batteries approuvées

Batterie	BLi200	40-B220X
Type	Lithium-ion	Lithium-ion
Capacité de la batterie, Ah	5,2	6,0
Tension nominale, V	36	36
Poids, kg (lb)	1,3 (2,9)	1,4 (3,1)

⁵ Les données signalées pour le niveau de pression sonore présentent une dispersion statistique type (écart type) de 1 dB(A).

⁶ Les données signalées pour le niveau de vibration présentent une dispersion statistique type (écart standard) de 1 m/s^2 .

Chargeurs de batteries approuvés

Chargeur de batterie	QC330
Tension d'entrée, V	100 à 240
Fréquence, Hz	50 à 60
Puissance, W	330

Marques déposées

La marque et les logos *Bluetooth*[®] sont des marques déposées appartenant à *Bluetooth SIG, inc.* et tout usage de ces marques par Husqvarna est soumise à licence.



www.husqvarna.com

Original instructions
Instrucciones originales
Instructions d'origine

1143731-49



2023-11-28