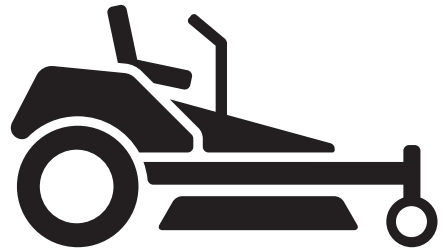




 **Husqvarna**[®]



Xcite™ 60" 3 Bin Grass Collector

EN Operator's manual
ES-MX Manual del usuario
FR-CA Manuel d'utilisation

2-11
12-22
23-33

Contents

Introduction.....	2	Maintenance.....	9
Safety.....	3	Troubleshooting.....	10
Installation.....	6	Transportation and storage.....	10
Operation.....	9		

Introduction

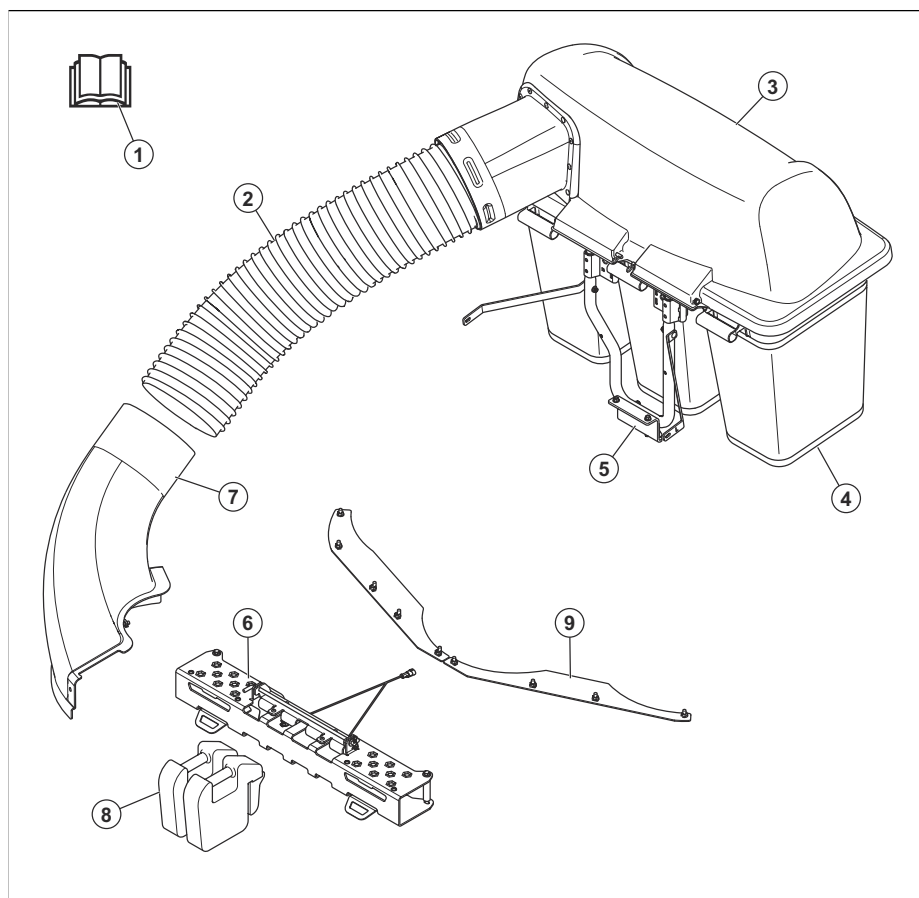
Product description

This product is a grass collection system. The collected grass can be used as compost for the lawn or plant beds, or disposed as yard waste.

Intended use

This product is made to collect grass clippings during mow operation to give your lawn a manicured look. Do not use the product for other tasks.

Product overview



1. Operator's manual
2. Collector chute
3. Hood

4. Bag
5. Collector bracket
6. Weight mount bracket

7. Side discharge chute
8. Front weights
9. Left and right debris baffle

Product damage

We are not responsible for damages to our product if:

- the product is incorrectly repaired.

- the product is repaired with parts that are not from the manufacturer or not approved by the manufacturer.
- the product has an accessory that is not from the manufacturer or not approved by the manufacturer.
- the product is not repaired at an approved service center or by an approved authority.

Safety

Safety definitions

Warnings, cautions and notes are used to point out especially important parts of the manual.



WARNING: Used if there is a risk of injury or death for the operator or bystanders if the instructions in the manual are not obeyed.



CAUTION: Used if there is a risk of damage to the product, other materials or the adjacent area if the instructions in the manual are not obeyed.

Note: Used to give more information that is necessary in a given situation.

General safety instructions



WARNING: Read the warning instructions that follow before you use the product



WARNING: This product is capable of amputating hands and feet and throwing objects. Failure to observe the following safety instructions could result in serious injury or death.



WARNING: Failure to follow cautious operating practices can result in dangerous injury to the operator or other persons. The owner must understand these instructions, and must let only approved persons who understand these instructions to operate the mower. Each person operating the mower must be of sound mind and body and must not be under the influence of mind altering substances.

- Read, understand, and follow instructions and warnings in this document, the operator's manual and on the product, engine and attachments.

- Only allow operators, who are responsible, trained, familiar with the instructions, and physically capable to operate the product.
- Make sure to inform a person that you are going to operate the product if an injury or accident occurs.
- Do not carry passengers and keep bystanders away.
- Do not operate the product while under the influence of alcohol or drugs.
- Follow the manufacturer's recommendation for wheel weights or counterweights.
- Learn how to use the product and its controls safely and learn how to stop the product quickly.
- Learn to recognize the safety decals.
- Keep the product clean to make sure that you can clearly read signs and stickers.
- Keep in mind that the operator will be held responsible for accidents that involve other persons or their property.
- Only use the product in daylight or in other well-lit conditions. Keep the product at a safe distance from holes or other irregularities in the ground. Look out for other possible risks.
- Do not let children or other persons not approved for operation of the product to use or do servicing on it. Local laws may regulate the age of the user.
- Make sure that nobody else is in the vicinity of the product when you start the engine, engage the drive or start to move the product.
- Keep an eye on the traffic when you mow near a road or move across a road.
- Do not use the product if you are fatigued, while under the influence of alcohol or drugs, medicine or anything that can have a negative effect on your vision, alertness, coordination or judgement.
- Always park the product on a level surface with the engine stopped.
- Do not modify or install non-standard equipment to the unit without consent from the manufacturer. Modifications to the unit may cause unsafe operations or damage the unit.

Safety instructions regarding children



WARNING: Children can be seriously injured or killed by this product. Read the warning instructions that follow before you use the product. Keep children away.

- Tragic accidents can occur if the operator is not alert to the presence of children. Children are often attracted to the product and the mowing activity. Never assume that children will remain where you last saw them.
- Keep children out of the operating area and under the watchful care of a responsible adult other than the operator.
- Keep an eye out and stop the product immediately, if children enter the work area. Be very careful near corners, bushes, trees or other objects that prevents a clear view.
- Use extreme care when going near blind corners, shrubs, trees, or other objects that can block your view of a child.
- Before and while you move the product in reverse, look behind you and look down for small children.
- Do not let children operate the product.
- The American Academy of Paediatrics recommends that children be a minimum of 16 years of age before operating a riding lawn mower.
- Do not carry children, even with the blade(s) shut off. Children could fall off and be seriously injured or interfere with safe product operation. Children who have been given rides in the past could suddenly appear in the mowing area for another ride and be run over or backed over by the product.

Safety instructions for operation



WARNING: Read the warning instructions that follow before you use the product.

- Do not operate the mower if the collector is not fully installed.
- Do not operate the mower with the collection system if the front weights are not installed.
- Make sure that all moving parts stop before you open the collection system.
- Make sure that all moving parts stop before you remove clogged grass from the collection system.
- Clear the area of objects such as stones, toys, wires, etc. that may become caught in the blades and be thrown out.
- Only let responsible adults operate the product.

- Make sure that the area is clear of all people and pets before mowing. Stop the product if anyone enters the area.
- Decrease speed before turning.
- Decrease the speed before you turn around a corner.
- Disengage the blades when the product does not mow.
- Close the collector cover before you start the product.
- Disengage the mower blades when you move the product across areas where thrown objects can be dangerous.
- Do not try to collect objects that can be thrown from the collection system.
- Use eye protection when you use the product. Thrown objects can cause eye damage.
- Make sure that the collection bags are empty after each use and before storage. Grass left in the collection bags may result in spontaneous combustion and could start a fire.
- Data shows that operators age 60 years and above are involved in a large percentage of riding mower-related injuries. These operators must evaluate if they can safely operate the riding mower sufficiently to protect themselves and others from injury.

Safety instructions for operation on slopes



WARNING: Read the warning instructions that follow before you use the product.

Slopes are a major factor related to accidents. Operation on slopes requires extra caution.

- Travel in the manufacturer recommended direction on slopes. Use caution while operating near dropoffs.
- Avoid mowing wet grass. The tires can lose traction.
- Do not operate product under any condition where traction, steering, or stability is in question. Tires could slide even if the wheels are stopped.
- Always keep the product in gear when going down slopes. Do not coast downhill.
- Avoid starting and stopping on slopes. Avoid making sudden changes in speed or direction. Make turns slowly and gradually.
- If the tires lose traction, disengage the blades and continue slowly straight down the slope.
- Use extra care while operating product with a grass catcher or other attachment(s). They can affect the stability of the product.
- To cut grass on slopes increases the risk that you can not control the product and that it overturns. This can cause injury or death. It is necessary to cut the grass carefully on all slopes.

If you cannot reverse up a slope or if you do not feel safe, do not cut it.

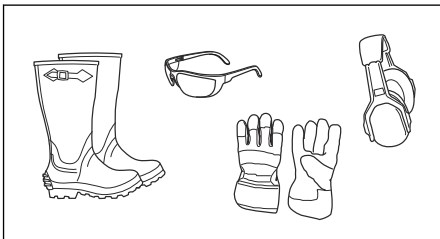
- Remove stones, branches and other obstacles.
- Cut the grass on the slope up and down, not from side to side.
- Do not operate the product on ground that slopes more than 10°.
- Move smoothly and slowly on slopes.
- Look out for and do not move across furrows, holes and bumps. There is a higher risk that the product overturns on ground that is not flat. Long grass can hide obstacles.
- Do not cut grass near edges, ditches or banks. Keep at least the width of the machine away from these hazards. The product can suddenly overturn if a wheel moves across the edge of a steep slope or a ditch, or if an edge gives way.

Personal protective equipment



WARNING: Read the warning instructions that follow before you use the product.

- Use approved personal protective equipment when you use the product. Personal protective equipment cannot fully prevent injury but it decreases the degree of injury if an accident does occur. Let your dealer help you select the right equipment.
- Always wear approved hearing protection. Long term exposure to noise can result in permanent hearing impairment.
- Always wear safety glasses or eye protection while you operate the product or do maintenance or repairs.
- Always wear protective shoes or protective boots. Steel toes are recommended. Do not use the product barefoot.



- Wear gloves when necessary, for example when you attach, examine or clean the cutting equipment.
- Do not wear loose-fitting clothing, jewelry or other items that can get caught in moving parts.
- Do not wear shorts when you operate the product.
- Keep first aid equipment and fire extinguisher close at hand.

Safety instructions before installation of the collection system



WARNING: Read the warning instructions that follow before you use the product.

- Park on level ground.
- Set parking brake.
- Set the control levers in the neutral position.
- Stop the engine and remove the ignition key.
- Make sure that all moving parts stop before you install the collection system.

Safety instructions for maintenance



WARNING: Read the warning instructions that follow before you use the product.



WARNING: The product is heavy and can cause injury or damage to property or the adjacent area. Do not do maintenance on the engine or the cutting deck without these conditions:

- The engine is off.
- The product is parked on a level surface.
- The parking brake is applied.
- The ignition key in stop position and removed.
- The blades are disengaged.
- All moving parts have stopped.
- The ignition cables are removed from the spark plugs.



WARNING: Fluid escaping under pressure may have sufficient force to penetrate skin and cause serious injury. If fluid is injected into the skin, seek immediate medical attention. Keep body and hands away from pin holes or nozzles that eject fluid under high pressure. If a leak occurs, have the product immediately serviced by a trained technician.



WARNING: The exhaust fumes from the engine contain carbon monoxide, an odorless, poisonous and very dangerous gas. Do not run the product in closed spaces or spaces with no sufficient air flow.

- Keep the product in good working order. Replace worn or damaged parts.

Use caution when servicing blades. Wrap the blade(s) or wear gloves. Replace damaged blades. Do not repair or alter blade(s).

If equipped, disconnect spark plug wire(s) and the negative battery cable before making any repairs.

For best performance and safety, do maintenance on the product regularly as given in the maintenance schedule. Refer to *Maintenance schedule on page 9*.

- Electrical shocks can cause injuries. Do not touch the cables when the engine is on. Do not do a function test on the ignition system with your fingers.
- Let the product become cool before you do maintenance near the engine.

- The blades are sharp and can cause cuts. Wind protection around the blades or use protective gloves when you do work on the blades.
- Do not turn the engine over if the spark plug or ignition cable is removed.
- Make sure that all nuts and bolts are tightened correctly and that the equipment is in good condition.
- Do not change the adjustment of governors. If the engine speed is too high, the product components can become damaged.
- The product is approved only with the equipment supplied or recommended by the manufacturer.
- Use only original parts for repairs. The use of other parts voids the warranty.

Installation

Introduction



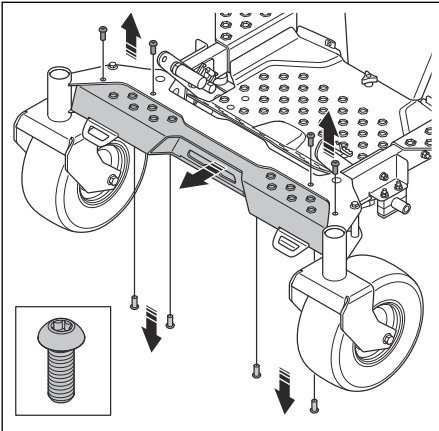
WARNING: Read and understand the safety chapter before you install the product.

To install the weight mount bracket



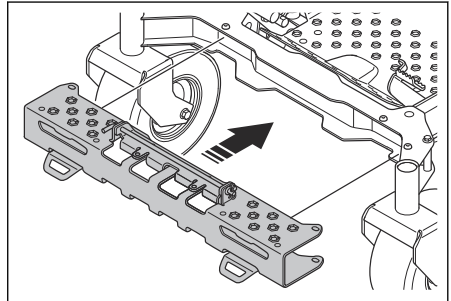
WARNING: Do not use the collection system without front weights. Failure to do so, could lead to death or serious injury.

1. Remove the 8 screws and the front light bracket.

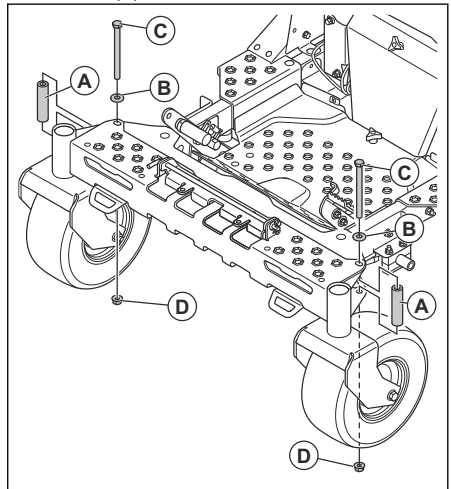


2. Disconnect the front light connector on the front light bracket.
3. Connect the front light connector on the weight mount bracket.

4. Install the weight mount bracket.



5. Install the spacers (A), the washers (B), bolts (C) and nuts (D).

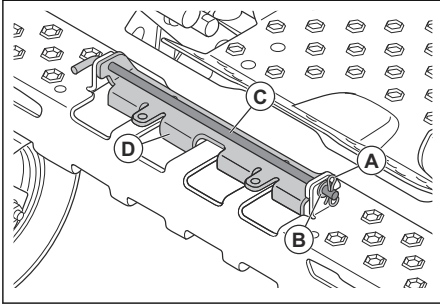


To install the front weights

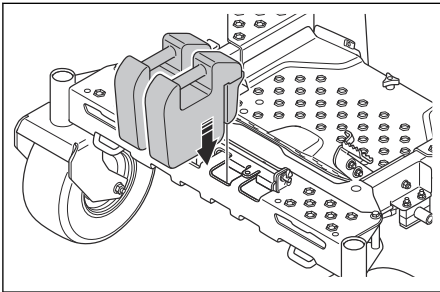


WARNING: Do not use the collection system without front weights. Failure to do so, could lead to death or serious injury.

1. Install the weight mount bracket. Refer to *To install the weight mount bracket* on page 6.
2. Remove the pin (A), the washer (B) and the rod (C).



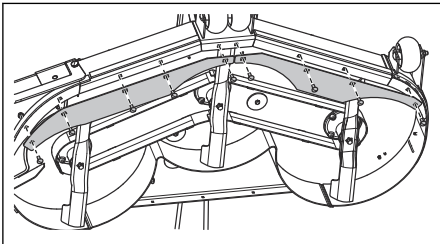
3. Remove the weight lock (D).
4. Install the weights.



5. Install the weight lock (D).
6. Install the rod (C), the washer (B) and the pin (A).

To install the debris baffle

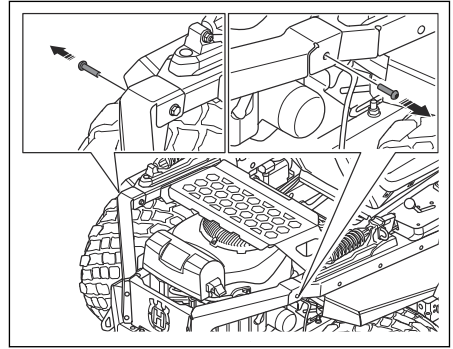
1. Raise and support the mower.
2. Align the left and right debris baffle with the holes in the underside of the cutting deck. Tighten the 9 bolts and locking nuts.



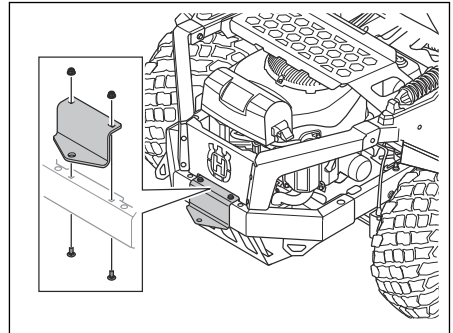
3. Remove the supports and lower the mower to its normal position.

To install the collector bracket

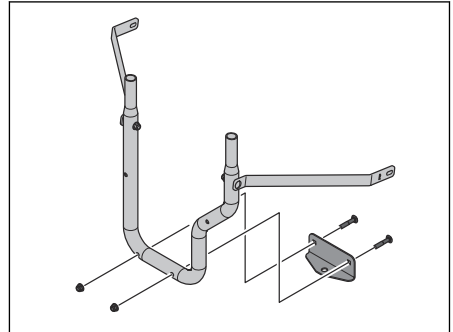
1. Remove the 2 screws.



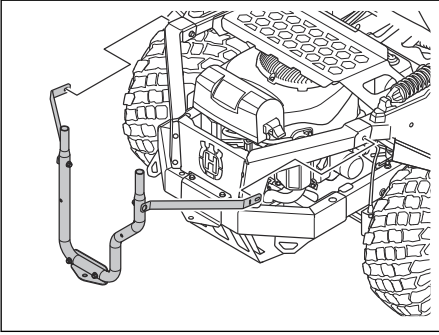
2. Install the hitch bracket on the frame.



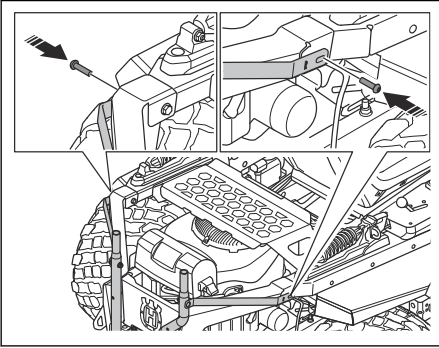
3. Install the angled plate on the bottom tube of the collector bracket.



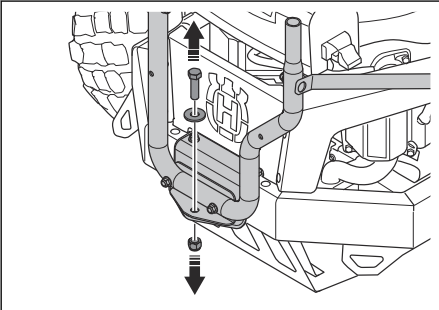
4. Put the collector bracket on the hitch.



5. Install the 2 screws in the stay on the collector bracket.



6. Install the screw, the washer and the nut in the collector bracket and the hitch.

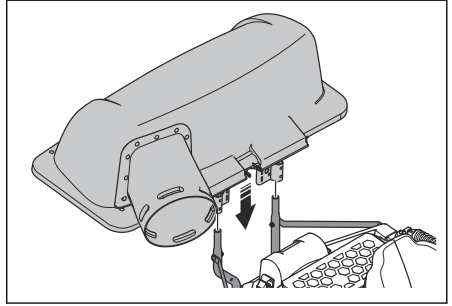


7. Install the retainer on the weight mount bracket.

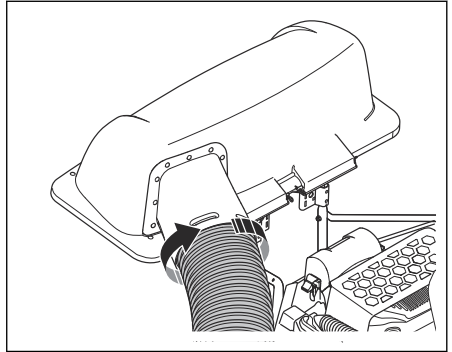
To install the collector hood

1. Install the collector bracket. Refer to *To install the collector bracket on page 7.*

2. Put the collector hood on the collector bracket.

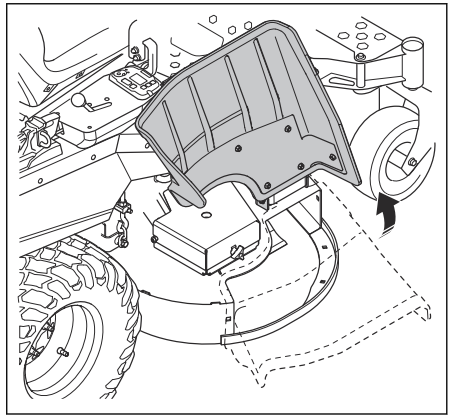


3. Thread the collector chute into the nozzle on the collector hood.

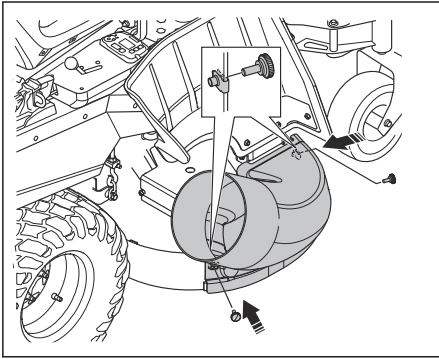


To install the side discharge chute

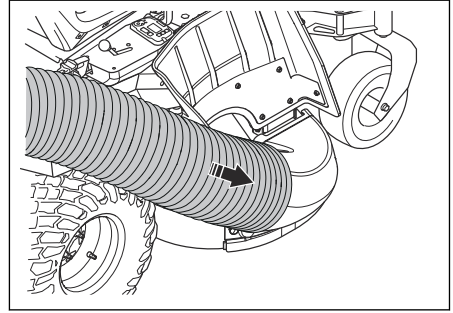
1. Lift the side discharge cover.



- Put the 2 U-clips on the holes in the cutting deck. Use the 2 thumb screws to attach the discharge chute to the cutting deck.



- Install the collector chute on the discharge chute.



To install the bags

- Tilt the collector hood.
- Put the 3 bags on the bracket below the collector hood.

Operation

Introduction



WARNING: Before you operate the product, you must read and understand the safety chapter.

To operate the product

- Obey the operation instructions in the Operator's manual for the mower.
- Operate the engine at full speed when you use the collection system.
- Move the product forward at low speed to get a good cutting result and good collection result.
- Cut the grass 2 times if grass is high and thick. The first cut must be at the highest cutting height and the second time at the correct height.
- Use the left side of the mower to cut near objects.
- Do not cut a wet lawn. Wet grass is more possible to become clogged in the collection system.
- Empty the collection bags if the collection system does not collect the cut grass. Make sure that the collector chute is not clogged if the problem stays when the collection bags are empty.
- Stop the mower and make sure that the collection system is not damaged if you hit a loose object.
- Prevent the collector chute from being twisted.
- Do not drag the collector chute along the sides of buildings or other hard surfaces.

Maintenance

Introduction



WARNING: Before you do any maintenance work you must read and understand the safety chapter.

Maintenance schedule

* = The instructions are not given in this operator's manual.

X = The instructions are given in this operator's manual.

O = Refer to the engine manual for instructions.

Maintenance schedule for the operator

Maintenance	Daily maintenance	Maintenance interval in hours		
	Before use	5	25	50
Do a check of and clean the collection bags.	X	X		
Make sure that the nuts and screws are tightened.	X			
Make sure that the collector chute is tightened.	X			
Remove the collector chute and install it in the opposite direction.			X	
Turn the collector chute ¼ turn clockwise.				X
Clean the product.				X

To clean the product

- Use a brush to remove unwanted material and grass on the product.

- If it is necessary, use a high-pressure washer and a weak cleaning agent. Do not exceed 1000 psi (68.9 Bar) water pressure.

Troubleshooting

Troubleshooting schedule

If you cannot find a solution to your problems in this operator's manual, speak to your Husqvarna service agent.

Problem	Cause
Loss of air flow.	The collector chute or the collector cover inlet are clogged.
	The container is full.
	The fabric in the collector is clogged.
Unusual vibrations or noise.	A solid object is in the collector.
	Loose or missing screws or nuts.
The collector cover is hard to close.	Objects in the collector cause a blockage of the collector cover.
	The collector cover hinge screws are too tight.

Transportation and storage

Transportation

- Do not tow the product.
- The product is heavy and can cause crush injuries. Be careful when you load it onto or off a vehicle or trailer.

- Load the product in reverse on approved ramps of a maximum operation angle of 10°. Do not lift the product.
- Use an approved trailer for transportation of the product.
- Make sure that you have knowledge of local road traffic regulations before transportation of the product in a trailer or on roads.

- Lock the product with approved devices, such as straps. Use tie-down points on the product or applicable areas of the frame. The parking brake is not sufficient to lock the product during transportation.

Storage

Prepare the product for storage at the end of the season, and before more than 30 days of storage. If you keep fuel in the fuel tank for 30 days or more, tacky particles can cause blockage in the carburetor. This has a negative effect on the engine function.

To prevent tacky particles during storage, add a stabilizer. If alkylate gasoline is used, stabilizer is not necessary. If you use standard gasoline, do not change to alkylate gasoline. This can cause sensitive rubber parts to become hard. Add stabilizer to the fuel in the tank or in the container used for storage. Always use the mixing ratios given by the manufacturer. Add the stabilizer and run the engine for a minimum of 10 minutes, until the fuel flows into the carburetor.



WARNING: Do not keep the product with fuel in the tank in an indoor location or in locations with bad airflow. Risk of fire if fuel fumes come near open flames, sparks, or pilot lights in for example boilers, hot water tanks and clothes dryers.



WARNING: Remove grass, leaves and other flammable materials from the product to decrease the risk of fire. Let the product become cool before you put it in storage.

-
- Clean the product, refer to *To clean the product on page 10*.
 - Remove unwanted materials from the cooling fan.
 - Repair paint damages to prevent corrosion.
 - Examine the product for worn or damaged parts and tighten loose screws and nuts.
 - Remove the battery. Clean it, charge it, and keep it cool during storage.
 - Replace the engine oil, and discard the waste oil.
 - Empty the fuel tank. Start the engine and run it until there is no remaining fuel in the carburetor.

Note: Do not empty the fuel tank and carburetor if a stabilizer has been added.

-
- Remove the plugs and put about a tablespoon of engine oil into each cylinder. Manually turn the engine shaft to apply the oil and put the plugs back on.
 - Lubricate all grease nipples, joints and axles.
 - Keep the product in a clean and dry area and put a cover on it for more protection.

Contenido

Introducción.....	12	Mantenimiento.....	20
Seguridad.....	13	Solución de problemas.....	21
Instalación.....	16	Transporte y almacenamiento.....	21
Funcionamiento.....	20		

Introducción

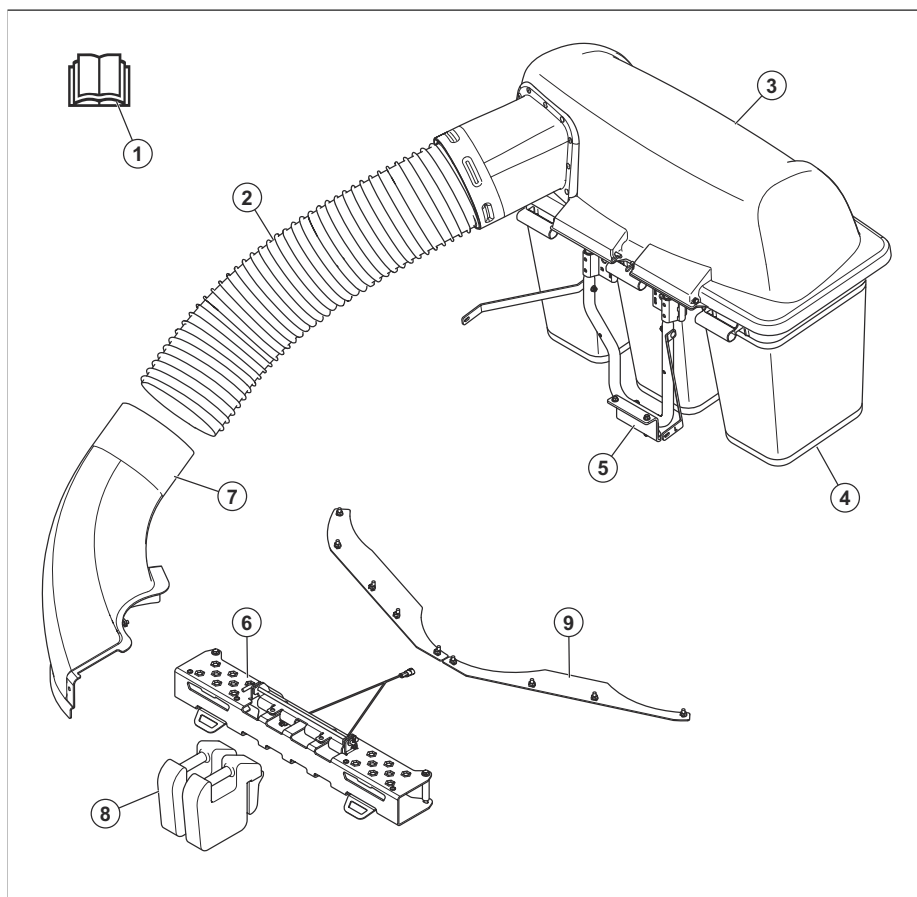
Descripción del producto

Este producto es un sistema de recogida de hierba. La hierba recogida se puede utilizar como abono para el césped o los cancheros, o se puede desechar como desecho del jardín.

Uso previsto

Este producto está hecho para recoger los recortes de hierba durante la operación de corte y darle al césped un aspecto bien cuidado. No utilice el producto para otras tareas.

Descripción general del producto



1. Manual del usuario
2. Rampa del colector

3. Cubierta
4. Bolsa

5. Soporte del colector
6. Soporte de montaje de peso
7. Rampa de descarga lateral
8. Pesos delanteros
9. Deflector de desechos izquierdo y derecho

Daños en el producto

No somos responsables de los daños a nuestro producto en los siguientes casos:

- el producto se repara incorrectamente
- el producto se repara con piezas que no son del fabricante o que este no autoriza
- el producto tiene un accesorio que no es del fabricante o que este no autoriza
- el producto no se repara en un centro de servicio autorizado o por una autoridad aprobada.

Seguridad

Definiciones de seguridad

Las advertencias, precauciones y notas se utilizan para señalar las piezas particularmente importantes del manual.



ADVERTENCIA: Se utilizan para señalar el riesgo de lesiones graves o mortales para el operador o para aquellos que se encuentren cerca si no se siguen las instrucciones del manual.



AVISO: Se utilizan para señalar el riesgo de dañar la máquina, otros materiales o el área adyacente si no se siguen las instrucciones del manual.

Tenga en cuenta: Se utilizan para entregar más información necesaria en situaciones particulares.

Instrucciones generales de seguridad



ADVERTENCIA: Lea atentamente las siguientes instrucciones de advertencia antes de usar el producto.



ADVERTENCIA: Este producto puede amputar manos y pies, y arrojar objetos. El incumplimiento de las siguientes instrucciones de seguridad puede ocasionar daños graves o la muerte.



ADVERTENCIA: Si no se siguen con precaución las prácticas de funcionamiento, puede provocar lesiones importantes para el operador u otras personas. El propietario debe entender estas instrucciones y debe asegurarse de que solo personas autorizadas que comprenden estas instrucciones operarán el cortacésped.

Cada persona que hace funcionar el cortacésped debe estar bien tanto física como mentalmente y no debe estar bajo la influencia de sustancias que alteren las facultades mentales.

- Lea, comprenda y siga las instrucciones y advertencias de este documento, del manual de usuario y las que aparecen en el producto, el motor y los accesorios.
- Permita que solo usuarios responsables, que estén capacitados, familiarizados con las instrucciones y en condiciones físicas aptas operen el producto.
- Asegúrese de informar a una persona que va a utilizar el producto, en caso de que ocurra una lesión o un accidente.
- No lleve pasajeros y mantenga alejados a los observadores.
- No haga funcionar el producto bajo la influencia del alcohol o las drogas.
- Siga las recomendaciones del fabricante para los pesos de las ruedas o los contrapesos.
- Aprenda a utilizar el producto y sus controles de forma segura y aprenda a detener el producto con rapidez.
- Reconozca las etiquetas de seguridad.
- Mantenga el producto limpio para asegurarse de que puede leer claramente las señales y las etiquetas.
- Tenga en cuenta que el operador será responsable de los accidentes que involucren a otras personas o su propiedad.
- Solo utilice el producto con luz de día o en condiciones de buena iluminación. Mantenga el producto a una distancia segura respecto de agujeros u otras irregularidades del suelo. Ponga atención para detectar otros posibles riesgos.
- No permita que niños u otras personas no autorizadas para operar el producto lo utilicen o le hagan mantenimiento. Las leyes locales pueden regular la edad del usuario.
- Asegúrese de que no haya nadie más cerca del producto cuando arranque el motor, acople la transmisión o empiece a mover el producto.
- Vigile el tráfico cuando corte cerca de un camino o atravesase uno.

Instrucciones de seguridad para el funcionamiento



ADVERTENCIA: Lea atentamente las instrucciones de advertencia siguientes antes de usar el producto.

- No utilice el cortacésped si el colector no está completamente instalado.
- No haga funcionar el cortacésped con el sistema de recogida si los pesos delanteros no están instalados.
- Asegúrese de que todas las piezas móviles se detengan antes de abrir el sistema de recogida.
- Asegúrese de que todas las piezas móviles se detengan antes de quitar la hierba atascada en el sistema de recogida.
- Despeje el área de objetos como piedras, juguetes, cables, etc., que puedan quedar atrapados en las cuchillas y ser arrojados.
- Solo permita que adultos responsables operen el producto.
- Asegúrese de que en el área no haya personas ni animales domésticos antes de cortar el césped. Detenga la máquina si alguien ingresa al área.
- Disminuya la velocidad antes de girar.
- Disminuya la velocidad antes de girar en una esquina.
- Desconecte las cuchillas cuando el producto no corte.
- Cierre la cubierta del recolector antes de arrancar el producto.
- Desconecte las cuchillas del cortacésped cuando mueva el producto a través de áreas donde los objetos expulsados pueden ser peligrosos.
- No intente recolectar objetos que puedan ser expulsados del sistema de recogida.
- Utilice protección ocular cuando opere el producto. Los objetos expulsados pueden causar daños oculares.
- Asegúrese de que las bolsas de recogida estén vacías después de cada uso y antes almacenarlas. La hierba que quede en las bolsas de recogida puede provocar una combustión espontánea y un incendio.
- Los datos indican que los operadores de 60 años o más son víctimas de un gran porcentaje de lesiones relacionadas con la conducción de un cortacésped. Estos operadores deben evaluar si pueden operar el cortacésped de manera lo suficientemente segura para protegerse a sí mismos y a otras personas de lesiones.

- No utilice el producto si está cansado, bajo la influencia del alcohol o las drogas, medicamentos o cualquier cosa que pudiera afectar negativamente su visión, estado de alerta, coordinación o juicio.
- Estacione siempre el producto en una superficie nivelada con el motor parado.
- No modifique ni instale equipo no estándar en la unidad sin el consentimiento del fabricante. Las modificaciones a la unidad pueden provocar operaciones inseguras o daños en la unidad.

Instrucciones de seguridad relacionadas con los niños



ADVERTENCIA: Los niños pueden resultar gravemente heridos o morir a causa de este producto. Lea atentamente las instrucciones de advertencia siguientes antes de usar el producto. Mantenga a los niños alejados.

- Pueden ocurrir accidentes trágicos si el operador no está alerta de la presencia de niños. A los niños suele atraerles el producto y la actividad de cortar césped. Nunca dé por un hecho que los niños permanecerán donde usted los vio por última vez.
- Mantenga a los niños fuera de la zona de operación y bajo la observación atenta de un adulto responsable que no sea el operador.
- Manténgase atento y detenga el producto de inmediato si ingresan niños al área de trabajo. Tenga mucho cuidado cerca de esquinas, arbustos, árboles u otros objetos que obstaculicen la visión.
- Tenga extremo cuidado al acercarse a curvas con poca visibilidad, arbustos, árboles u otros objetos que puedan bloquear su visión e impedir que vea a un niño.
- Antes de mover el producto en reversa y mientras lo hace, mire detrás de usted y esté atento a la presencia de niños pequeños.
- No deje que los niños operen el producto.
- La Academia Norteamericana de Pediatría recomienda que solo niños mayores de 16 años operen un cortacésped o se suban a uno.
- Nunca lleve niños sobre la máquina, aunque las cuchillas estén desactivadas. Los niños se pueden caer y sufrir daños graves, o interferir en el uso seguro del producto. Los niños que han dado una vuelta en la máquina pueden aparecer de repente en la zona de corte para dar otra vuelta y podrían ser atropellados o golpeados con el producto.

Instrucciones de seguridad para el uso en pendientes



ADVERTENCIA: Lea atentamente las instrucciones de advertencia siguientes antes de usar el producto.

Las pendientes son un factor importante relacionado con los accidentes. El uso en pendientes exige precaución especial.

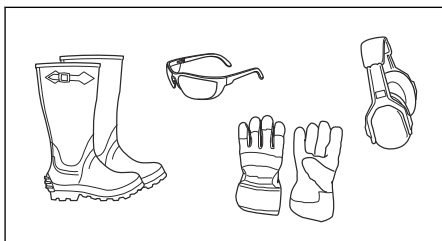
- Desplácese en la dirección recomendada por el fabricante en las pendientes. Tenga cuidado al operar cerca de declives.
- Evite cortar césped húmedo. Los neumáticos pueden perder tracción.
- No utilice el producto en ninguna condición que pueda alterar la tracción, la dirección o la estabilidad. Los neumáticos podrían deslizarse incluso si las ruedas se han detenido.
- Siempre mantenga el producto a una velocidad constante cuando baje por las pendientes. No se deje llevar por las pendientes cuesta abajo.
- Evite ponerse en movimiento o detenerse en pendientes. No haga cambios repentinos de velocidad o dirección. Realice giros de manera lenta y gradual.
- Si los neumáticos pierden tracción, desacople las cuchillas y avance lentamente y de forma recta hacia abajo de la pendiente.
- Tenga especial cuidado cuando opere el producto con un recogedor de césped u otros accesorios. Pueden afectar la estabilidad del producto.
- Cortar el césped en pendientes aumenta el riesgo de que no pueda controlar el producto y de que se vuelque. Esto puede provocar lesiones o la muerte. Es necesario tener cuidado al cortar el césped en cualquier pendiente. Si no puede retroceder para subir una pendiente o si no se siente seguro, no la corte.
- Quite las piedras, las ramas y otros obstáculos.
- Corte el césped de la pendiente de arriba hacia abajo, no de lado a lado.
- No utilice el producto en suelos con pendientes de más de 10°.
- Muévase suave y lentamente en pendientes.
- Ponga atención a la presencia de surcos, agujeros y baches, y no pase transversalmente por ellos. Existe un mayor riesgo de que el producto se vuelque en suelo que no es plano. El césped alto puede ocultar obstáculos.
- No corte el césped cerca de bordes, zanjas u orillas. Mantenga, al menos, el ancho de la máquina alejado de estos peligros. El producto puede volcarse repentinamente si una rueda se desplaza por el borde de una pendiente pronunciada o una zanja, o si un borde cede.

Equipo de protección personal



ADVERTENCIA: Lea atentamente las instrucciones de advertencia siguientes antes de usar el producto.

- Utilice siempre el equipo de protección personal aprobado cuando use el producto. El equipo de protección personal no puede impedir el riesgo de lesiones, pero disminuirá el grado de lesión si ocurre un accidente. Permita que su distribuidor lo ayude a seleccionar el equipo adecuado.
- Use siempre protectores auriculares aprobados. La exposición prolongada al ruido puede causar la pérdida permanente de la audición.
- Siempre use gafas de seguridad o protección ocular cuando opere el producto o realice tareas de mantenimiento o reparación.
- Use siempre zapatos o botas de protección. Se recomienda usar punteras de acero. No utilice el producto descalzo.



- Utilice guantes cuando sea necesario, por ejemplo, cuando conecte, examine o limpie el equipo de corte.
- No use ropa floja, joyas u otros artículos que puedan quedar atrapados en las piezas móviles.
- No utilice pantalones cortos cuando utilice el producto.
- Mantenga un equipo de primeros auxilios y un extintor de incendios a mano.

Instrucciones de seguridad antes de la instalación del sistema de recogida



ADVERTENCIA: Lea atentamente las instrucciones de advertencia siguientes antes de usar el producto.

- Estacione en un terreno nivelado.
- Accione el freno de estacionamiento.
- Coloque las palancas de control en la posición neutra.
- Detenga el motor y quite la llave de contacto.

- Asegúrese de que todas las piezas móviles se detengan antes de instalar el sistema de recogida.

de carbono, un gas inodoro, tóxico y muy peligroso. No use el producto en espacios cerrados o sin suficiente flujo de aire.

Instrucciones de seguridad para el mantenimiento



ADVERTENCIA: Lea atentamente las instrucciones de advertencia siguientes antes de usar el producto.



ADVERTENCIA: El producto es pesado y puede causar lesiones o daños a la propiedad o el área adyacente. No realice mantenimiento del motor o del equipo de corte sin cumplir con las siguientes condiciones:

- El sistema está apagado.
- El producto está estacionado en una superficie nivelada.
- El freno de estacionamiento está aplicado.
- La llave de encendido está en posición stop y retirada.
- Las cuchillas están desacopladas.
- Todas las piezas giratorias están detenidas.
- Quitó los cables de encendido de las bujías.



ADVERTENCIA: Un escape de líquido con presión puede tener fuerza suficiente para traspasar la piel y causar daños graves. Si el líquido le traspasa la piel, busque atención médica de inmediato. Mantenga las manos y el cuerpo alejados de orificios de pasadores o boquillas que expulsen líquido a alta presión. Si se produce una fuga, haga que un técnico capacitado repare inmediatamente el producto.



ADVERTENCIA: Los gases de escape del motor contienen monóxido

- Mantenga el producto en buen orden de trabajo. Reemplace las piezas desgastadas o dañadas.

Tenga cuidado al realizar tareas de mantenimiento en las cuchillas. Envuelva las cuchillas o utilice guantes. Reemplace las cuchillas dañadas. No repare ni altere las cuchillas.

Si están equipados, desconecte los cables de las bujías y el cable negativo de la batería antes de realizar cualquier reparación.

Para lograr mayores niveles de rendimiento y seguridad, realice el mantenimiento del producto con regularidad como se indica en el programa de mantenimiento. Consulte *Programa de mantenimiento en la página 20*.

- Las sacudidas eléctricas pueden causar lesiones. No toque los cables cuando el motor esté encendido. No haga una prueba de funcionamiento del sistema de encendido con los dedos.
- Deje que el producto se enfríe antes de realizar tareas de mantenimiento cerca del motor.
- Las cuchillas son filosas y pueden causar cortes. Envuelva las cuchillas con protección o utilice guantes protectores cuando trabaje en las cuchillas.
- No gire el motor si quitó el cable de encendido o la bujía.
- Asegúrese de que todas las tuercas y pernos estén correctamente apretados y de que el equipo está en buen estado.
- No cambie el ajuste de los reguladores. Si el régimen del motor es demasiado alto, los componentes del producto pueden dañarse.
- El producto se ha aprobado solo con el equipo proporcionado originalmente o recomendado por el fabricante.
- Utilice únicamente piezas originales para las reparaciones. El uso de otras piezas anula la garantía.

Instalación

Presentación



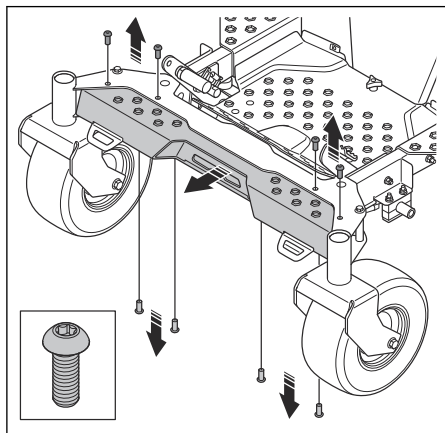
ADVERTENCIA: Asegúrese de leer y comprender el capítulo de seguridad antes de instalar el producto.

Para instalar el soporte de montaje de peso

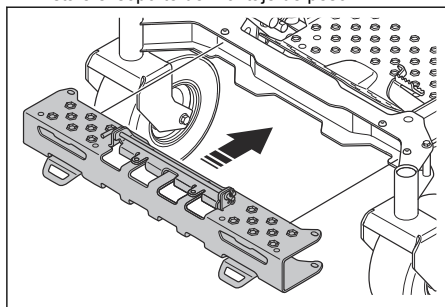


ADVERTENCIA: No utilice el sistema de recogida sin pesos delanteros. De lo contrario, podría provocar la muerte o lesiones graves.

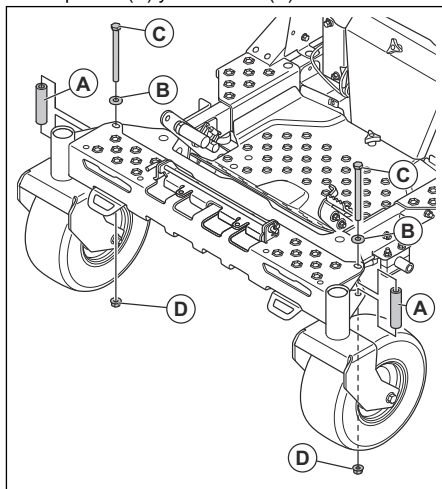
1. Retire los 8 tornillos y el soporte de la luz delantera.



2. Desenchufe el conector de la luz delantera en el soporte de la luz delantera.
3. Enchufe el conector de la luz delantera en el soporte de montaje de peso.
4. Instale el soporte de montaje de peso.



5. Instale los espaciadores (A), las arandelas (B), los pernos (C) y las tuercas (D).

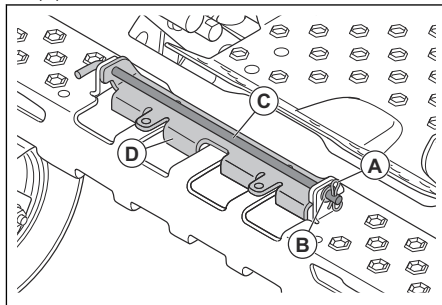


Para instalar los pesos delanteros



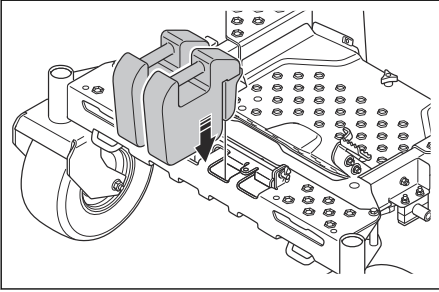
ADVERTENCIA: No utilice el sistema de recogida sin pesos delanteros. De lo contrario, podría provocar la muerte o lesiones graves.

1. Instale el soporte de montaje de peso. Consulte *Para instalar el soporte de montaje de peso en la página 16.*
2. Retire el pasador (A), la arandela (B) y la varilla (C).



3. Retire el bloqueo de peso (D).

4. Instale los pesos.

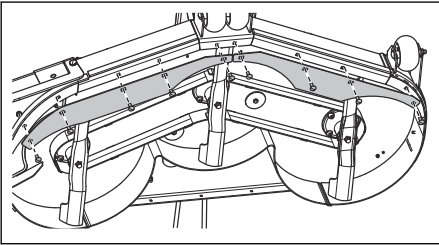


5. Instale el bloqueo de peso (D).

6. Instale la varilla (C), la arandela (B) y el pasador (A).

Para instalar el deflector de desechos

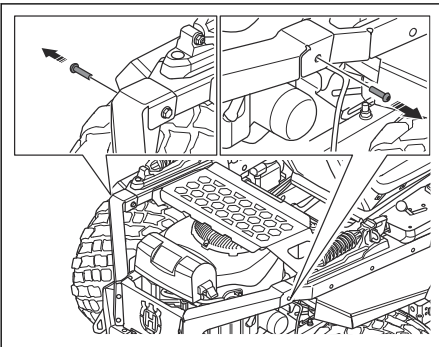
1. Levante y apoye el cortacésped.
2. Alinee el deflector de desechos izquierdo y derecho con los orificios en la parte inferior del equipo de corte. Apriete los 9 pernos y las tuercas de seguridad.



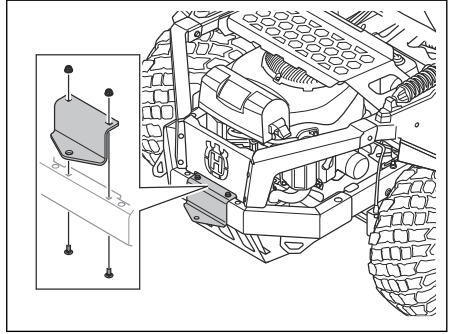
3. Quite los soportes y baje el cortacésped a su posición normal.

Para instalar el soporte del colector

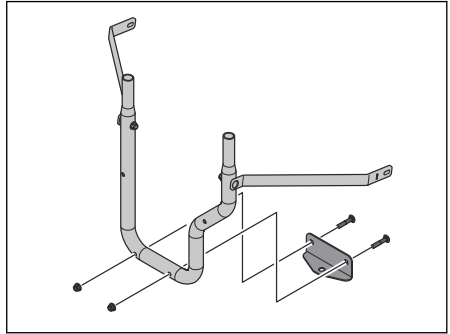
1. Retire los 2 tornillos.



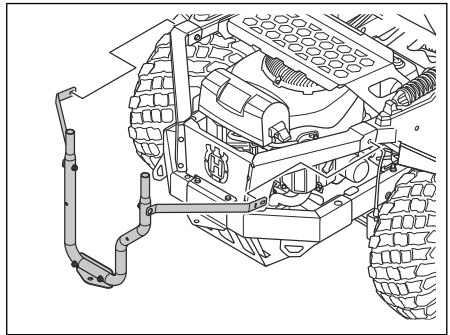
2. Instale el soporte de enganche en el bastidor.



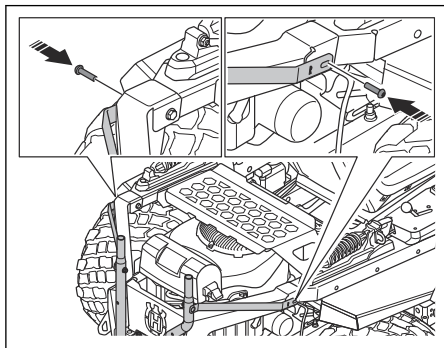
3. Instale la placa en ángulo en el tubo inferior del soporte del colector.



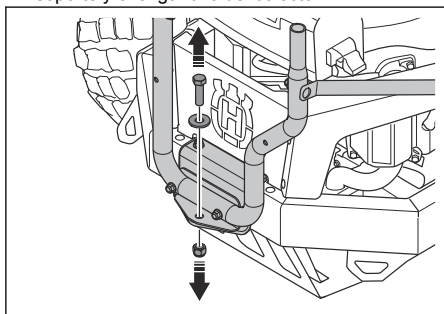
4. Coloque el soporte del colector en el enganche.



5. Instale los 2 tornillos en la base del soporte del colector.



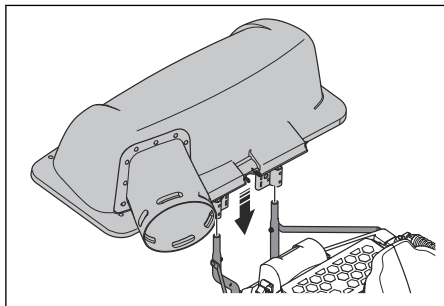
6. Instale el tornillo, la arandela y la tuerca en el soporte y el enganche del colector.



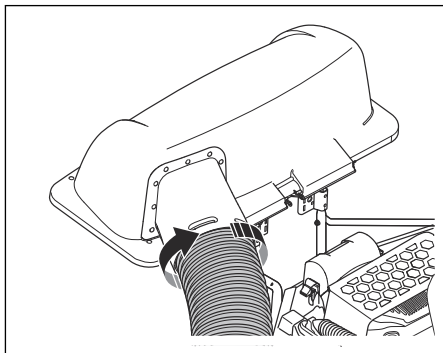
7. Instale el retenedor en el soporte de montaje de peso.

Para instalar la cubierta del colector

1. Instale el soporte del colector. Consulte *Para instalar el soporte del colector en la página 18*.
2. Coloque la cubierta del colector en el soporte del colector.

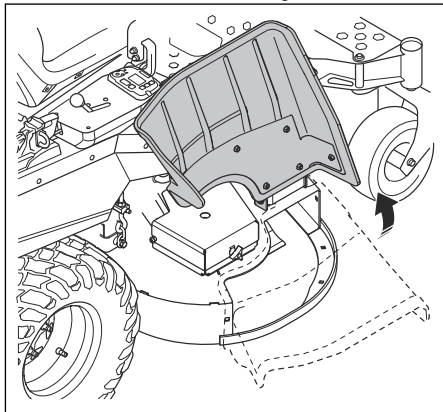


3. Enrosque la rampa del colector en la boquilla de la cubierta del colector.

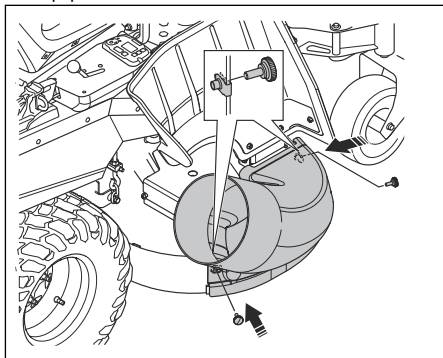


Para instalar la rampa de descarga lateral

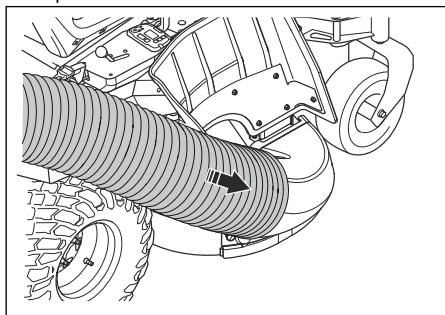
1. Levante la cubierta de descarga lateral.



2. Coloque las dos pinzas en U en los orificios del equipo de corte. Utilice los dos tornillos de mariposa para fijar el conducto de expulsión al equipo de corte.



3. Instale el conducto colector en el conducto de expulsión.



Para instalar las bolsas

1. Incline la cubierta del colector.
2. Coloque las 3 bolsas en el soporte debajo de la cubierta del colector.

Funcionamiento

Introducción



ADVERTENCIA: Antes de utilizar el producto, debe leer y entender el capítulo sobre seguridad.

Para hacer funcionar el producto

- Siga las instrucciones de funcionamiento que se indican en el manual de usuario del cortacésped.
- Opere el motor a velocidad máxima cuando utilice el sistema de recogida.
- Mueva el producto hacia delante a baja velocidad para obtener un buen resultado de corte y una buena recogida.
- Corte la hierba 2 veces si está alto y grueso. El primer corte debe estar a la altura de corte más alta y la segunda vez a la altura correcta.

- Utilice el lado izquierdo del cortacésped para cortar cerca de objetos.
- No corte el césped húmedo. La hierba húmeda es más propensa a obstruirse en el sistema de recogida.
- Vacíe las bolsas de recogida si el sistema de recogida no acopia la hierba cortada. Asegúrese de que la rampa del colector no esté obstruida si el problema persiste cuando las bolsas de recogida estén vacías.
- Detenga el cortacésped y asegúrese de que el sistema de recogida no esté dañado si golpea un objeto suelto.
- Evite que la rampa del colector se tuerza.
- No arrastre la rampa del colector por los lados de edificios u otras superficies duras.

Mantenimiento

Introducción



ADVERTENCIA: Antes de realizar el mantenimiento, debe leer y entender el capítulo de seguridad.

X = Las instrucciones se proporcionan en este manual de usuario.

O = Consulte el manual del motor para ver las instrucciones.

Programa de mantenimiento para el usuario

Programa de mantenimiento

* = Las instrucciones no se proporcionan en este manual de usuario.

Mantenimiento	Para llevar a cabo un mantenimiento diario	Intervalo de mantenimiento en horas		
	Antes del uso	5	25	50
Revise y limpie las bolsas de recogida.	X	X		
Asegúrese de que las tuercas y los tornillos estén apretados.	X			

Mantenimiento	Para llevar a cabo un mantenimiento diario	Intervalo de mantenimiento en horas		
	Antes del uso	5	25	50
Asegúrese de que la rampa del colector esté apretada.	X			
Retire la rampa del colector e instálela en la dirección opuesta.			X	
Gire la rampa del colector $\frac{1}{4}$ de vuelta hacia la derecha.				X
Limpie la máquina.				X

Para limpiar el producto

- Utilice un cepillo para eliminar el material y la hierba en el producto.
- Si es necesario, utilice un lavador de alta presión y un agente de limpieza suave. No exceda la presión del agua de 1000 psi (68,9 bar).

Solución de problemas

Programa de solución de problemas

Si no encuentra una solución a sus problemas en este manual de usuario, consulte a su taller de servicio de Husqvarna.

Problema	Causa
Pérdida de flujo de aire.	La rampa del colector o la entrada de la cubierta del colector están obstruidas.
	El contenedor está lleno.
	La tela del colector está obstruida.
Vibraciones o ruidos inusuales.	Hay un objeto sólido en el colector.
	Tornillos o tuercas flojos o faltantes.
Es difícil cerrar la cubierta del colector.	Los objetos en el colector provocan la obstrucción de la cubierta del colector.
	Los tornillos de bisagra de la cubierta del colector están demasiado apretados.

Transporte y almacenamiento

Transporte

- No remolque el producto.
- El producto es pesado y puede causar lesiones por aplastamiento. Tenga cuidado cuando lo cargue o descargue de un vehículo o remolque.
- Cargue el producto en reversa por las rampas autorizadas con un ángulo máximo de operación de 10°. No levante el producto.
- Utilice un remolque aprobado para el transporte del producto.
- Asegúrese de conocer las normas del tránsito locales antes de transportar el producto en un remolque o por caminos.
- Bloquee el producto con dispositivos autorizados, como correas. Utilice puntos de amarre en el producto o en las áreas correspondientes del bastidor. El freno de

estacionamiento no es suficiente para bloquear el producto durante el transporte.

Almacenamiento

Prepare el producto para guardarlo al final de la temporada, y antes de más de 30 días de almacenamiento. Si mantiene combustible en el depósito de combustible durante 30 días o más, partículas pegajosas pueden obstruir el carburador. Esto afecta negativamente el funcionamiento del motor.

Para evitar partículas pegajosas durante el almacenamiento, agregue un estabilizador. Si se utiliza gasolina de alquilato, no es necesario un estabilizador. Si se utiliza gasolina estándar, no cambie a gasolina de alquilato. Esto puede provocar que las piezas de goma sensibles se endurezcan. Agregue estabilizador al combustible del depósito o al contenedor usado para el almacenamiento. Utilice siempre las proporciones de mezcla indicadas por el fabricante. Añada el estabilizador y haga funcionar el motor durante un mínimo de 10 minutos, hasta que el combustible fluya hacia el carburador.



ADVERTENCIA: No mantenga el producto con combustible en el depósito en interiores o en lugares con mala ventilación. Existe riesgo de incendio si los vapores de combustible alcanzan llamas abiertas, chispas o luces piloto, como calderas, depósitos de agua caliente y secadoras de ropa.



ADVERTENCIA: Retire el césped, las hojas y otros materiales inflamables del producto para reducir el riesgo de incendio. Deje que el producto se enfríe antes de guardarlo.

-
- Limpie el producto, consulte la sección *Para limpiar el producto en la página 21*.
 - Retire los materiales no deseados del ventilador de refrigeración.
 - Repare los daños de la pintura para evitar la corrosión.
 - Examine el producto en busca de piezas dañadas o desgastadas y apriete las tuercas y los tornillos sueltos.
 - Extraiga la batería. Límpiela, cárguela y manténgala fría durante el almacenamiento.
 - Reemplace el aceite del motor y deseche el aceite residual.
 - Vacíe el depósito de combustible. Arranque el motor y déjelo en marcha hasta que no quede combustible en el carburador.

Tenga en cuenta: No vacíe el depósito de combustible ni el carburador si se ha agregado un estabilizador.

- Extraiga los tapones y ponga aproximadamente una cucharadita de aceite del motor en cada cilindro. Gire manualmente el eje del motor para aplicar el aceite y ponga los tapones de nuevo.
- Lubrique todas las boquillas de engrase, juntas y ejes.
- Mantenga el producto en una zona limpia y seca, y cúbralo para mayor protección.

Table des matières

Introduction.....	23	Entretien.....	31
Sécurité.....	24	Dépannage.....	32
Installation.....	27	Transport et entreposage.....	32
Fonctionnement.....	31		

Introduction

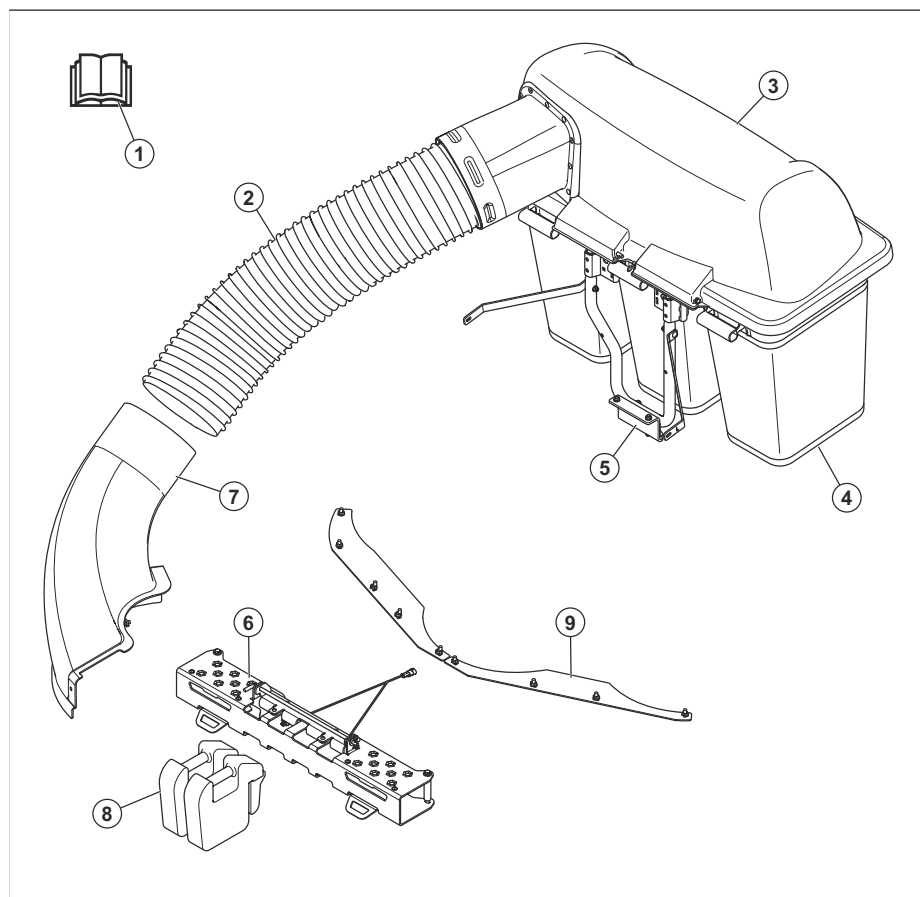
Description du produit

Ce produit est un système de collecte d'herbe. L'herbe collectée peut être utilisée comme compost pour la pelouse ou les semis, ou bien éliminée comme déchet de jardin.

Utilisation prévue

Ce produit est conçu pour ramasser les brins d'herbe coupés pendant l'utilisation de la tondeuse pour donner à votre pelouse une apparence soignée. Ne pas utiliser l'outil pour d'autres tâches.

Présentation de l'appareil



- 1. Manuel de l'opérateur
- 2. Goulotte du collecteur

- 3. Capot
- 4. Sac

5. Support du collecteur
6. Support de montage de poids
7. Goulotte d'éjection latérale
8. Poids avant
9. Déflecteurs pour débris gauche et droit

- Le produit n'est pas réparé de façon adéquate.
- Le produit est réparé avec des pièces qui ne sont pas fournies ou homologuées par le fabricant.
- Le produit comprend un accessoire qui n'est pas fourni ou homologué par le fabricant.
- Le produit n'est pas réparé par un centre de service après-vente agréé ou par une autorité homologuée.

Produit endommagé

Nous ne sommes pas responsables des dommages causés à notre produit si :

Sécurité

Définitions relatives à la sécurité

Les avertissements, recommandations et remarques soulignent des points du manuel qui revêtent une importance particulière.



AVERTISSEMENT : Indique la présence d'un risque de blessure ou de décès de l'utilisateur ou de personnes à proximité si les instructions du manuel ne sont pas suivies.



MISE EN GARDE : Indique la présence d'un risque de dommages au produit, à d'autres appareils ou à la zone adjacente si les instructions du manuel ne sont pas suivies.

Remarque : Utilisé pour donner des renseignements plus détaillés qui sont nécessaires dans une situation donnée.

Consignes générales de sécurité



AVERTISSEMENT : Lire les consignes d'avertissement qui suivent avant d'utiliser le produit.



AVERTISSEMENT : Ce produit peut amputer les mains et les pieds et projeter des objets. Le non-respect des consignes de sécurité suivantes peut entraîner des blessures graves ou mortelles.



AVERTISSEMENT : Le non-respect des pratiques d'utilisation peut entraîner des blessures graves à l'opérateur ou à d'autres personnes. Le propriétaire de la machine doit comprendre ces directives et ne doit permettre qu'à des personnes autorisées comprenant bien les consignes de sécurité d'utiliser la tondeuse. Chaque personne utilisant la tondeuse doit être

saine de corps et d'esprit; elle ne doit pas être sous l'influence de substances pouvant altérer son jugement.

- Lire, comprendre et suivre les directives et les avertissements du présent document, du manuel de l'opérateur et ceux apposés au produit, au moteur et aux accessoires.
- Ne laisser que des opérateurs responsables, formés, qui connaissent les directives et qui sont physiquement aptes à utiliser le produit.
- S'assurer d'informer une personne que vous allez utiliser le produit en cas de blessure ou d'accident.
- Ne pas transporter des passagers et tenir toute personne à distance.
- Ne pas manœuvrer le produit sous l'influence de l'alcool ou de drogues.
- Respecter les recommandations du fabricant en ce qui touche le poids des roues ou les contrepoids.
- Il faut apprendre à utiliser le produit et ses commandes en toute sécurité et apprendre comment arrêter rapidement le produit.
- Apprendre à reconnaître les autocollants de sécurité.
- Garder le produit propre pour s'assurer de pouvoir lire clairement les signes et les autocollants.
- Garder en tête que l'opérateur est tenu responsable des accidents qui impliquent d'autres personnes, ou leurs biens.
- Utiliser le produit quand il fait jour ou sous un éclairage suffisant. Garder le produit à une bonne distance des trous ou autres irrégularités dans le sol. Faire attention aux autres risques possibles.
- Ne pas laisser des enfants ou d'autres personnes non autorisés à faire fonctionner le produit, utiliser ou entretenir celui-ci. La réglementation locale peut fixer l'âge de l'utilisateur.
- Veiller à ce que personne ne se trouve à proximité du produit lors du démarrage du moteur, de l'engagement de l'embrayage ou du début de déplacement du produit.

- Garder un œil sur la circulation lors de la tonte à proximité d'une route ou du déplacement sur une route.
- Ne pas utiliser le produit sous l'effet de la fatigue, sous l'influence de l'alcool, de drogues, de médicaments ou de toute substance qui pourrait affecter la vision, l'attention, la coordination des gestes ou le jugement.
- Toujours garer le produit sur une surface plane avec le moteur arrêté.
- Ne pas modifier la machine ou poser de l'équipement non standard sans avoir obtenu au préalable le consentement du fabricant. Les modifications apportées à la machine peuvent entraîner un fonctionnement non sécuritaire ou endommager la machine.

Consignes de sécurité relatives aux enfants



AVERTISSEMENT : Les enfants peuvent être gravement blessés ou tués par ce produit. Lire les messages d'avertissement qui suivent avant d'utiliser le produit. Tenir les enfants à distance.

- Des accidents tragiques peuvent se produire si l'utilisateur n'est pas alerte à la présence d'enfants. Les enfants sont souvent attirés par le produit et la tonte de la pelouse. Ne jamais supposer que les enfants restent à l'endroit où ils se trouvaient lorsque vous les avez vus précédemment.
- Tenir les enfants éloignés de la zone de travail et sous la supervision d'un adulte responsable, autre que l'opérateur.
- Rester attentif et arrêter le produit immédiatement si des enfants pénètrent dans la zone de travail. Faire très attention dans les coins, près des buissons, arbres et tout autre objet qui gêne la visibilité.
- Faire particulièrement attention à l'approche des coins sans visibilités, des arbustes, des arbres ou tout autre objet qui pourrait bloquer la vision.
- Avant et pendant le déplacement en marche arrière du produit, regarder derrière soit et faire attention aux enfants de petite taille.
- Ne pas laisser un enfant utiliser la machine.
- L'American Ancre de Pediatrics recommande que les enfants soient âgés d'au moins 16 ans avant de conduire la tondeuse.
- Ne jamais transporter d'enfants même lorsque les lames sont immobilisées. Ils pourraient tomber et se blesser gravement ou interférer avec l'utilisation sécuritaire du produit. Les enfants qui, par le passé, sont montés sur la machine pourraient apparaître soudainement pour faire un autre tour et être renversés ou écrasés par la machine.

Instructions de sécurité pour l'utilisation



AVERTISSEMENT : Lire les messages d'avertissement qui suivent avant d'utiliser le produit.

- Ne pas utiliser la tondeuse si le collecteur n'est pas complètement installé.
- Ne pas utiliser la tondeuse avec le système de collecte sans avoir installé les poids à l'avant.
- S'assurer que toutes les pièces en mouvement soient à l'arrêt avant d'ouvrir le système de collecte.
- S'assurer que toutes les pièces en mouvement soient à l'arrêt avant de retirer l'herbe obstruée du système de collecte.
- Débarrasser l'aire de tonte des objets tels que pierres, jouets, fils, etc. qui peuvent être happés par les lames et projetés vers l'extérieur.
- Seuls des adultes autorisés peuvent utiliser le produit.
- S'assurer d'être la seule personne présente dans l'aire de tonte, éloignez en particulier les jeunes enfants et les animaux, avant de commencer à tondre. Arrêter le produit si quelqu'un pénètre dans la zone de travail.
- Réduire la vitesse avant de tourner.
- Réduire la vitesse avant de tourner autour d'un coin.
- Désengager les lames lorsque le produit ne tond pas.
- Fermer le couvercle du collecteur avant de commencer à utiliser le produit.
- Désengager les lames de la tondeuse lorsque le produit est déplacé dans des zones où des objets projetés peuvent être dangereux.
- Ne pas essayer de ramasser des objets pouvant être projetés hors du système de collecte.
- Porter des lunettes de protection lors de l'utilisation de la machine. Les objets projetés peuvent causer des lésions oculaires.
- S'assurer que les sacs de collecte sont vides après chaque utilisation et avant de les ranger. L'herbe laissée dans les sacs de collecte peut entraîner une combustion spontanée et provoquer un incendie.
- Les données indiquent que les opérateurs âgés de plus de 60 ans sont impliqués dans un grand nombre d'accidents entraînant des blessures causées par la tondeuse. Ces utilisateurs doivent évaluer s'ils peuvent utiliser la tondeuse de manière suffisamment sûre pour se protéger et protéger autrui de toute blessure.

Consignes de sécurité relatives au travail sur les terrains en pente



AVERTISSEMENT : Lire les messages d'avertissement qui suivent avant d'utiliser le produit.

Les pentes sont un facteur majeur lié aux accidents. L'utilisation dans les pentes nécessite la plus grande prudence.

- Se déplacer dans la direction recommandée par le fabricant sur les pentes. Faire preuve de prudence lors de l'utilisation à proximité de ravins.
- Éviter de tondre de l'herbe mouillée. Les pneus peuvent perdre de l'adhérence.
- Ne pas utiliser le produit dans une condition quelconque où la traction, la direction ou la stabilité est mise en question. Les pneus peuvent patiner même si les roues sont immobiles.
- Garder toujours le produit embrayé en descendant des pentes. Ne pas descendre une pente en roue libre.
- Éviter de démarrer et d'arrêter sur une pente. Éviter les changements brusques de vitesse ou de direction. Tourner lentement et progressivement.
- Si les pneus perdent leur adhérence, désengager les lames et descendre lentement la pente.
- Observer la plus grande prudence en utilisant le produit avec un collecteur d'herbe ou tout autre accessoire. Ceux-ci peuvent affecter la stabilité du produit.
- Couper l'herbe sur des terrains en pente accroît le risque de perte de contrôle du produit et de son basculement. Cela peut provoquer des blessures, voire la mort. Sur tous les terrains en pente, il est nécessaire de couper l'herbe avec précaution. S'il n'est pas possible de monter une pente à reculons, ou en cas d'appréhension, ne pas effectuer de coupe.
- Retirer les pierres, les branches et d'autres obstacles.
- Couper l'herbe vers le haut et vers le bas d'une pente, et non d'un côté à l'autre.
- Ne pas utiliser le produit sur un sol dont la pente est supérieure à 10°.
- Déplacer le produit lentement et sans à-coups sur des terrains en pente.
- Faire attention aux sillons, aux trous ou aux bosses et ne pas se déplacer sur ces objets. Il y a un risque élevé que le produit bascule sur un sol qui n'est pas plat. L'herbe longue peut dissimuler des obstacles.
- Ne pas couper de l'herbe à proximité des bordures, des fossés ou des talus. Garder au moins une distance équivalente à la largeur du produit entre vous et ces dangers. Le produit peut basculer soudainement si une roue passe

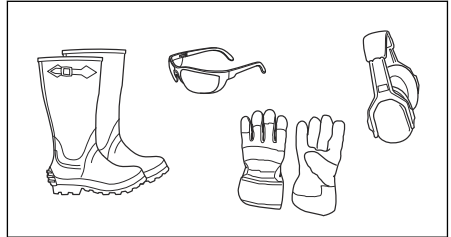
à travers la bordure d'une pente raide ou d'un fossé, ou si une bordure cède.

Équipement de protection personnelle



AVERTISSEMENT : Lire les messages d'avertissement qui suivent avant d'utiliser le produit.

- Utiliser un équipement de protection personnelle homologué lors de l'utilisation du produit. Cet équipement de protection personnelle n'élimine pas complètement les risques de blessures, mais il peut en réduire la gravité en cas d'accident. Laisser le concessionnaire aider à sélectionner l'équipement adéquat.
- Toujours porter des protecteurs d'oreille homologués. L'exposition prolongée au bruit peut causer des lésions auditives permanentes.
- Toujours porter des lunettes de sécurité ou tout autre dispositif de protection des yeux lors de l'utilisation de l'outil ou des opérations d'entretien ou de réparations.
- Porter toujours des chaussures ou des bottes de protection. Des embouts en acier sont recommandés. Ne pas utiliser le produit pieds nus.



- Porter des gants au besoin, par exemple lors de la fixation, de l'examen ou du nettoyage de l'équipement de coupe.
- Ne pas porter un habillement confortable, des bijoux ou d'autres objets pouvant se prendre dans les pièces en mouvement.
- Ne pas porter de bijou quand vous utilisez le produit.
- Garder une trousse de premiers soins et un extincteur à portée de main.

Instructions de sécurité avant l'installation du système de collecte



AVERTISSEMENT : Lire les messages d'avertissement qui suivent avant d'utiliser le produit.

- Stationner sur un terrain plat.
- Engager le frein de stationnement.

- Mettre les leviers de commande en position neutre.
- Arrêter le moteur et retirer la clé d'allumage.
- S'assurer que toutes les pièces en mouvement soient à l'arrêt avant d'installer le système de collecte.

du monoxyde de carbone, un gaz inodore, toxique et très dangereux. Ne pas faire fonctionner le produit dans un espace clos ou dans des espaces qui n'ont pas une circulation d'air suffisante.

Consignes de sécurité pour la maintenance



AVERTISSEMENT : Lire les messages d'avertissement qui suivent avant d'utiliser le produit.



AVERTISSEMENT : La machine est lourde et peut engendrer des blessures ou endommager des biens ou la zone dans laquelle elle se trouve. Ne pas procéder à l'entretien sur le moteur ou l'unité de coupe sans que les conditions suivantes soient vérifiées :

- Le moteur est coupé.
- La machine est stationnée sur une surface plane.
- Le frein de stationnement est serré.
- La clé de contact en position d'arrêt et retirée.
- Lames désengagées.
- Toutes les pièces en mouvement se sont arrêtées.
- Les câbles d'allumage sont retirés des bougies d'allumage.



AVERTISSEMENT : Le liquide qui s'échappe sous pression peut avoir une force suffisante pour pénétrer la peau et provoquer des blessures très graves. Si du liquide est injecté sous la peau, consulter immédiatement un médecin. Garder le corps et les mains à l'écart des trous de goupilles et des gicleurs qui projettent du fluide sous haute pression. En cas de fuite, faire réparer immédiatement le produit par un technicien qualifié.



AVERTISSEMENT : Les gaz d'échappement du moteur contiennent

- Entreposer le produit en bon état d'utilisation. Remplacer les pièces usées ou abîmées.

Faire preuve de prudence lors de l'entretien des lames. Envelopper les lames ou porter des gants. Remplacer les lames endommagées. Ne pas réparer ou modifier les lames.

Selon l'équipement, débrancher le câble de la bougie d'allumage et le câble négatif de la batterie avant d'effectuer toute réparation.

Pour obtenir le meilleur rendement et la sécurité optimale, procéder à l'entretien régulier de la machine comme indiqué dans le calendrier d'entretien. Se reporter à *Calendrier d'entretien à la page 31*.

- Des décharges électriques peuvent causer des blessures. Ne pas toucher les câbles lorsque le moteur tourne. Ne pas effectuer un test de fonctionnement du système d'allumage avec vos doigts.
- Laisser le produit se refroidir avant de procéder à l'entretien près du moteur.
- Les lames sont très tranchantes et peuvent provoquer des coupures. Disposer d'une protection contre le vent autour des lames ou porter des gants de protection en cas d'intervention sur les lames.
- Ne pas retourner le moteur si la bougie d'allumage ou le câble d'allumage a été enlevé.
- S'assurer que tous les écrous et boulons sont correctement serrés et que l'équipement est en bon état.
- Ne pas changer le réglage des régulateurs. Si le régime du moteur est trop élevé, les composants du produit peuvent s'endommager.
- Le produit n'est approuvé que s'il est équipé de l'équipement fourni ou recommandé par le fabricant.
- N'utiliser que des pièces d'origine pour les réparations. Le recours à d'autres pièces aura pour effet d'annuler la garantie.

Installation

Introduction



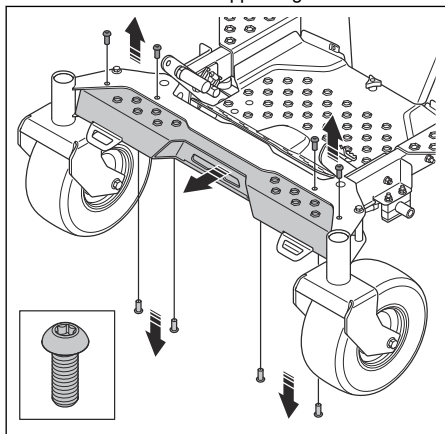
AVERTISSEMENT : Lire et comprendre le chapitre sur la sécurité avant d'installer le produit.

Installation du support de montage de poids

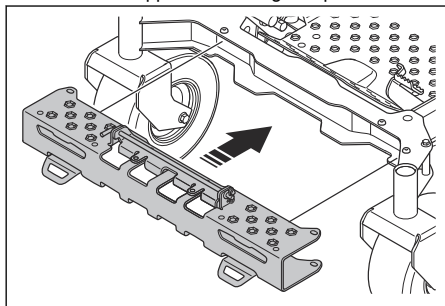


AVERTISSEMENT : Ne pas utiliser le système de collecte sans les poids avant. Le non-respect de cette consigne peut entraîner des blessures graves, voire la mort.

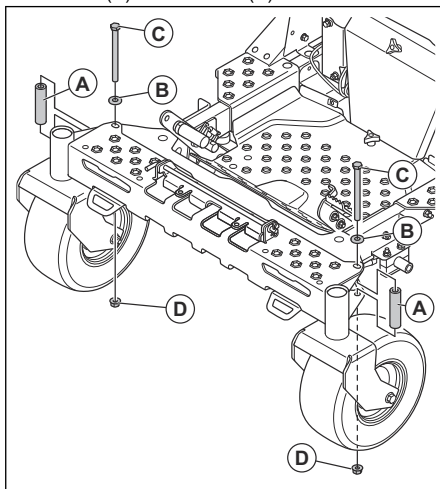
1. Retirer les 8 vis et le support léger avant.



2. Débrancher le connecteur léger avant du support léger avant.
3. Brancher le connecteur léger avant sur le support de montage de poids.
4. Installer le support de montage de poids.



5. Installer les entretoises (A), les rondelles (B), les boulons (C) et les écrous (D).

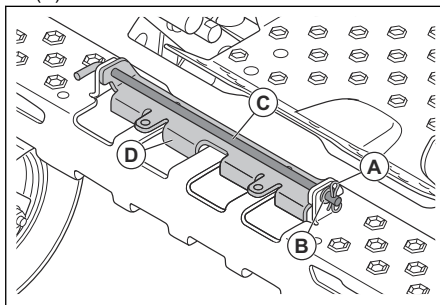


Installation des poids avant



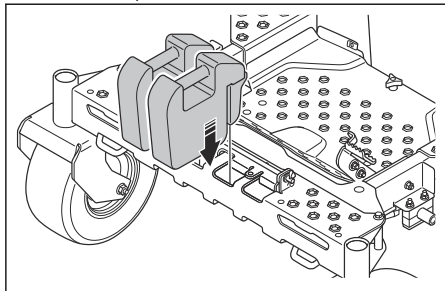
AVERTISSEMENT : Ne pas utiliser le système de collecte sans les poids avant. Le non-respect de cette consigne peut entraîner des blessures graves, voire la mort.

1. Installer le support de montage de poids. Se reporter à *Installation du support de montage de poids à la page 28*.
2. Retirer la goupille (A), la rondelle (B) et la tige (C).



3. Retirer le verrou de poids (D).

4. Installer les poids.

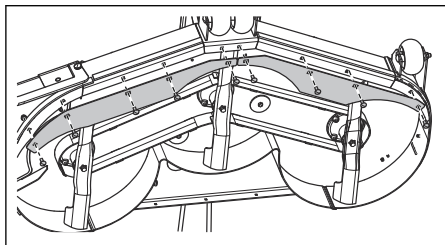


5. Installer le verrou de poids (D).

6. Installer la tige (C), la rondelle (B) et la goupille (A).

Pour installer le déflecteur pour débris

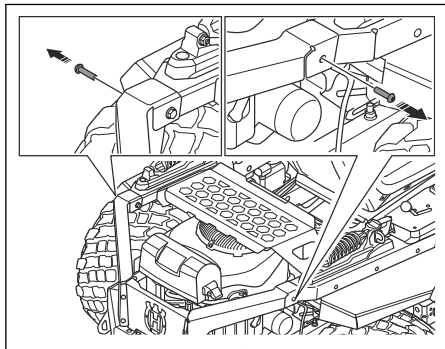
1. Relever et soutenir la tondeuse.
2. Aligner les déflecteurs pour débris gauche et droit avec les trous sous l'unité de coupe. Serrer les 9 boulons et les contre-écrous.



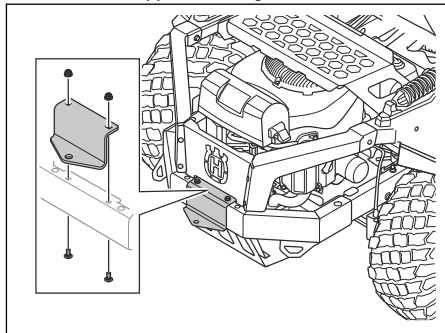
3. Retirer les supports et abaisser la tondeuse à sa position normale.

Installation du support du collecteur

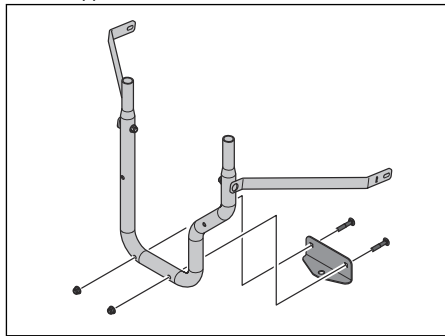
1. Retirer les deux vis.



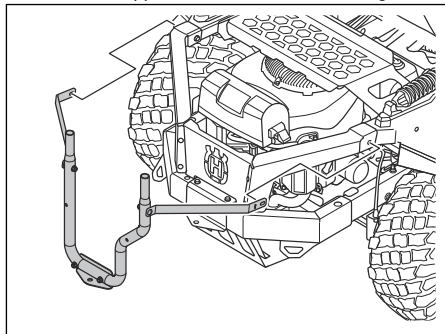
2. Installer le support d'attelage sur le châssis.



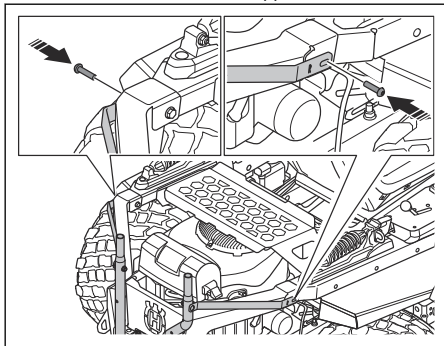
3. Installer la plaque coude sur la barre inférieure du support du collecteur.



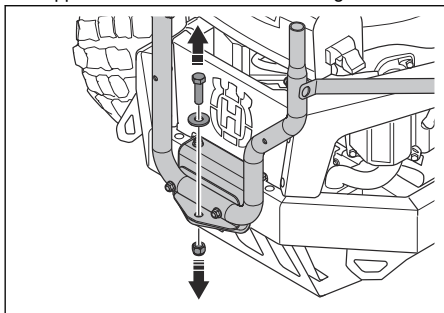
4. Placer le support du collecteur sur l'attelage.



5. Installer les 2 vis dans le support du collecteur.



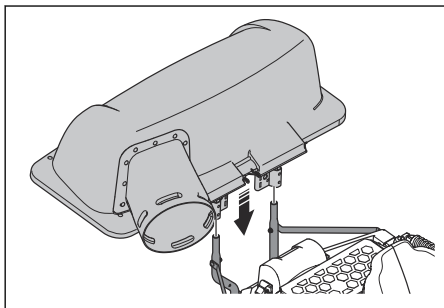
6. Installer la vis, la rondelle et l'écrou dans le support du collecteur et dans l'attelage.



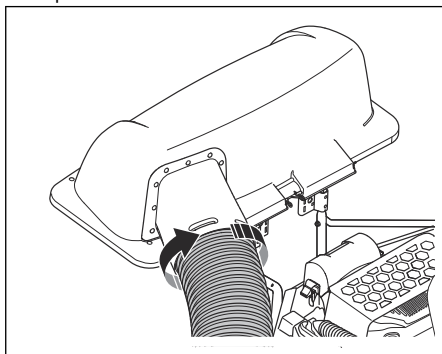
7. Installer le dispositif de retenue sur le support de montage de poids.

Installation du capot du collecteur

1. Installer le support du collecteur. Se reporter à *Installation du support du collecteur à la page 29*.
2. Placer le capot du collecteur sur le support du collecteur.

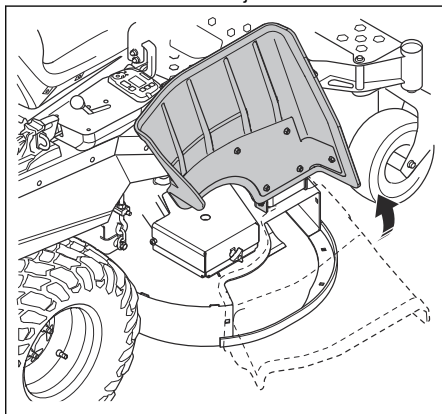


3. Enfiler la goulotte du collecteur dans la buse du capot du collecteur.

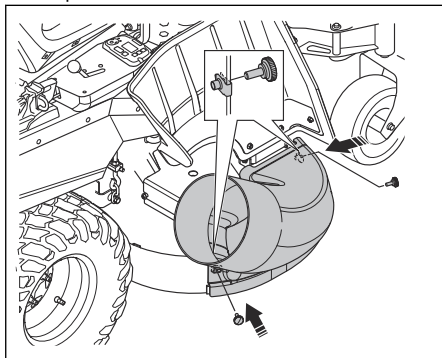


Installation de la goulotte d'éjection latérale

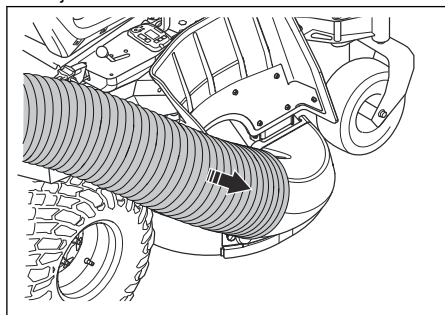
1. Soulever le couvercle d'éjection latérale.



2. Placer les 2 attaches en U dans les trous de l'unité de coupe. Utiliser les 2 vis à serrage à mains pour fixer la goulotte d'éjection à l'unité de coupe.



3. Installer la goulotte du collecteur sur la goulotte d'éjection.



Installation des sacs

1. Incliner le capot du collecteur.
2. Placer les 3 sacs sur le support sous le capot du collecteur.

Fonctionnement

Introduction



AVERTISSEMENT : Avant d'utiliser le produit, lire et bien comprendre le chapitre sur la sécurité.

Utilisation du produit

- Respecter les instructions d'utilisation du manuel de l'opérateur de la tondeuse.
- Faire tourner le moteur à plein régime lors de l'utilisation du système de collecte.
- Déplacer le produit vers l'avant à bas régime pour obtenir un bon résultat de coupe et de collecte.
- Couper l'herbe 2 fois si celle-ci est haute et épaisse. La première coupe doit être à la hauteur de coupe la plus élevée et la deuxième coupe à la bonne hauteur.

- Utiliser le côté gauche de la tondeuse pour couper les objets à proximité.
- Ne pas couper une pelouse mouillée. L'herbe humide risque fortement de rester obstruée dans le système de collecte.
- Vider les sacs si le système de collecte ne collecte pas l'herbe coupée. S'assurer que la goulotte du collecteur n'est pas obstruée si le problème persiste lorsque les sacs de collecte sont vides.
- Arrêter la tondeuse et s'assurer que le système de collecte n'est pas endommagé si un objet mobile est heurté.
- Empêcher la goulotte du collecteur de se tordre.
- Ne pas faire glisser la goulotte du collecteur le long des côtés des bâtiments ou d'autres surfaces dures.

Entretien

Introduction



AVERTISSEMENT : Avant de procéder à l'entretien, lire et bien comprendre le chapitre sur la sécurité.

X = Les directives sont décrites dans ce manuel de l'opérateur.

O = Consulter le manuel du moteur pour obtenir les directives.

Calendrier d'entretien pour l'opérateur

Calendrier d'entretien

* = Les directives ne sont pas décrites dans ce manuel de l'opérateur.

Entretien	Entretien quotidien	Intervalles d'entretien en heures		
	Avant l'utilisation	5	25	50
Vérifier et nettoyer les sacs collecteurs.	X	X		
S'assurer que les vis et les écrous sont bien serrés.	X			

Entretien	Entretien quotidien	Intervalles d'entretien en heures		
	Avant l'utilisation	5	25	50
S'assurer que la goulotte du collecteur est serrée.	X			
Retirer la goulotte du collecteur et l'installer dans le sens opposé.			X	
Tourner la goulotte du collecteur ¼ dans le sens des aiguilles d'une montre.				X
Nettoyer le produit.				X

Nettoyage du produit

- Utiliser une brosse pour retirer l'herbe et les matériaux indésirables sur l'outil.

- Si nécessaire, utiliser un nettoyeur haute pression et un produit de nettoyage doux. Ne pas dépasser la pression d'eau de 68,9 bar (1 000 lb/po2).

Dépannage

Annexe sur le dépannage

Si une solution à des problèmes est introuvable dans ce manuel d'utilisation, communiquer avec l'agent d'entretien Husqvarna.

Problème	Causes
Perte de débit d'air.	La goulotte du collecteur ou l'orifice d'entrée du couvercle du collecteur sont bouchés.
	Le contenant est plein.
	Le tissu du collecteur est obstrué.
Vibrations ou bruits inhabituels.	Un objet solide est dans le collecteur.
	Vis ou écrous desserrés ou manquants.
Le couvercle du collecteur est difficile à fermer.	Les objets dans le collecteur empêchent le couvercle du collecteur de se fermer.
	Les vis de charnière du couvercle du collecteur sont trop serrées.

Transport et entreposage

Transport

- Ne pas remorquer le produit.
- Le produit est lourd et peut occasionner de graves blessures. Faire attention lors du chargement ou du déchargement du produit d'un véhicule ou d'une remorque.
- Charger le produit en marche arrière sur des rampes homologuées ayant un angle de fonctionnement maximal de 10°. Ne pas lever le produit.

- Utiliser une courroie approuvée pour le transport du produit.
- S'assurer de connaître les règles de circulation routière locales avant de transporter le produit dans une remorque ou sur les routes.
- Immobiliser le produit en utilisant des dispositifs approuvés, tels que des sangles. Utiliser des points d'arrimage sur le produit ou les zones applicables du cadre. Le frein de stationnement ne suffit pas pour bloquer le produit durant le transport.

Entreposage

Préparer le produit pour le remiser à la fin de la saison, et avant plus de 30 jours de remisage. Si le carburant est conservé dans le réservoir de carburant pendant une période de 30 jours ou plus, des particules collantes peuvent obstruer le carburateur. Cela a un effet négatif sur le fonctionnement du moteur.

Pour éviter l'accumulation de particules collantes pendant le remisage, ajouter un stabilisateur au carburant. Si de l'alkylat est utilisé, le stabilisateur n'est pas nécessaire. Si de l'essence ordinaire est utilisée, ne pas le remplacer par l'alkylat. Cela peut provoquer le durcissement des pièces en caoutchouc sensibles. Ajouter un stabilisateur au carburant du réservoir ou dans le récipient utilisé pour le remisage. Utiliser toujours les proportions de mélange indiquées par le fabricant. Ajouter le stabilisateur et faire tourner le moteur pendant au moins 10 minutes, jusqu'à ce que le carburant coule dans le carburateur.



AVERTISSEMENT : Ne pas remiser le produit avec du carburant dans le réservoir dans un endroit à l'intérieur d'un bâtiment ou dans des endroits avec une mauvaise ventilation. Risque d'incendie si les vapeurs de carburant se rapprochent de flammes nues, d'étincelles ou de veilleuses, par exemple dans des chaudières, des réservoirs d'eau chaude et des séchoirs à vêtement.



AVERTISSEMENT : Retirer l'herbe, les feuilles et d'autres matériaux inflammables du produit afin de réduire le risque d'incendie. Laisser le produit refroidir avant de le remiser.

- Nettoyer le produit; se reporter à section *Nettoyage du produit à la page 32*.
- Retirer tout matériau indésirable du ventilateur de refroidissement.
- Réparer les dommages à la peinture pour prévenir la corrosion.
- Examiner le produit pour détecter d'éventuelles pièces usées ou endommagées, puis serrer les vis et les écrous desserrés.
- Retirer la batterie. La nettoyer, la charger et la maintenir à l'écart de la chaleur pendant la période de remisage.
- Vidanger l'huile moteur, puis mettre au rebut l'huile usée.
- Vider le réservoir de carburant. Démarrer le moteur et le faire tourner jusqu'à ce qu'il ne reste plus de carburant dans le carburateur.

Remarque : Ne pas vider le réservoir de carburant et le carburateur si un stabilisateur a été ajouté.

- Enlever les bouchons et verser environ une cuillère à soupe d'huile moteur dans chaque cylindre. Tourner manuellement l'arbre du moteur pour appliquer l'huile, puis remettre en place les bouchons.
- Graisser tous les raccords de graissage, les joints et les arbres.
- Entreposer le produit dans un endroit propre et sec, puis le couvrir pour une protection supplémentaire.



Husqvarna®

www.husqvarna.com

Original instructions
Instrucciones originales
Instructions d'origine

1143734-49



2023-10-04