

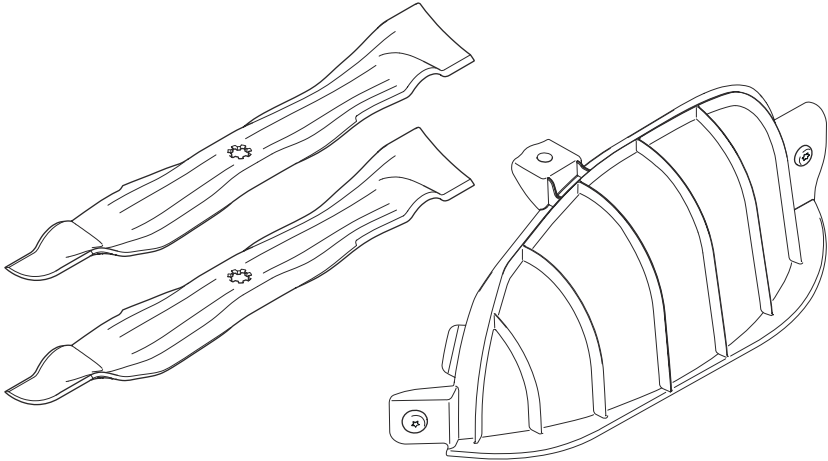


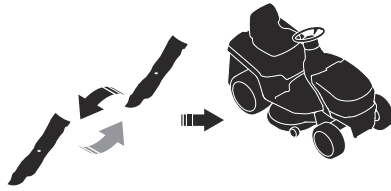
Husqvarna®

Husqvarna Attachments

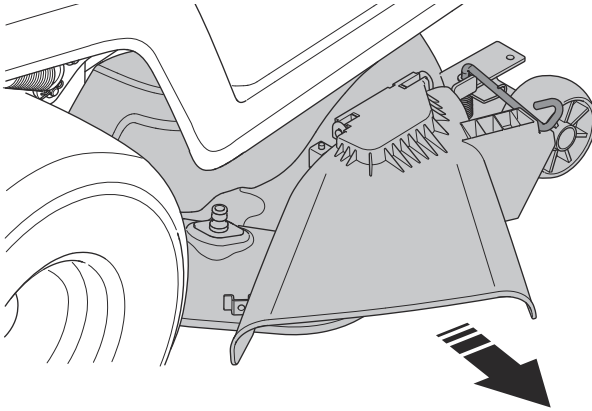
Mulch kit 547 55 55-01

Mulch kit: 547 55 55-01

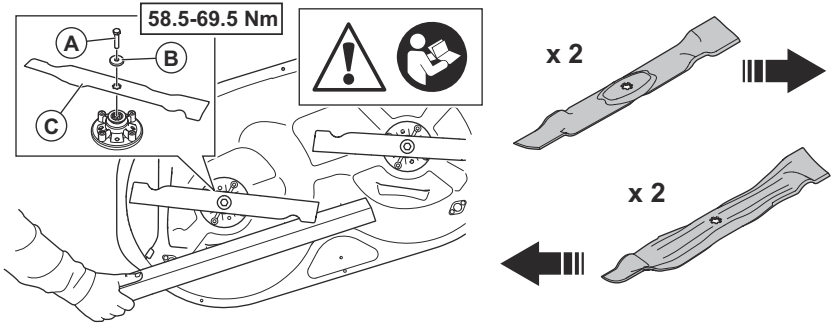


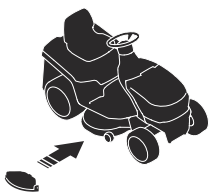


1



2

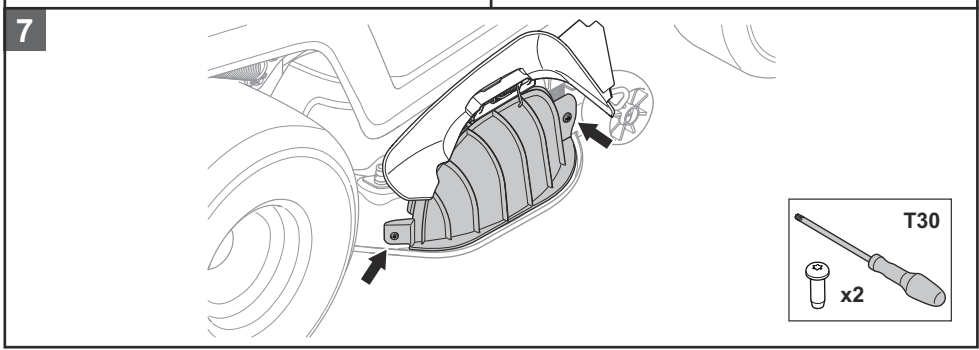
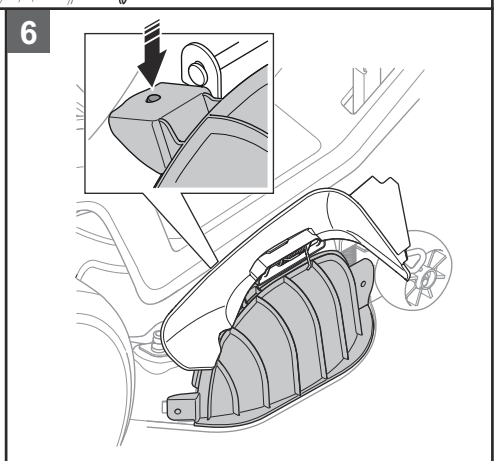
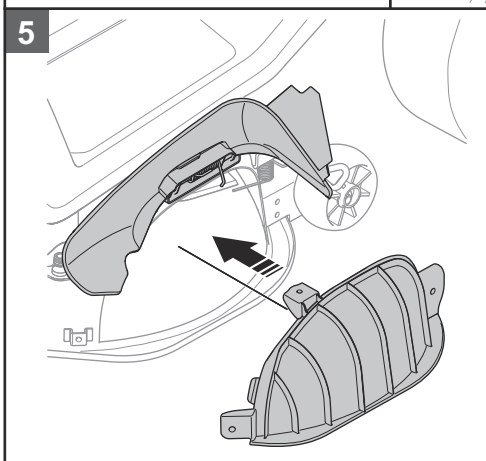
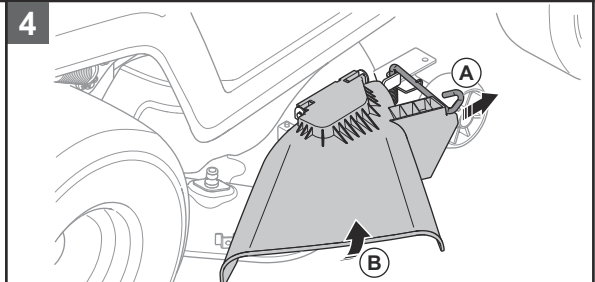




3

(P)
AUTO

12V
25A



Husqvarna®

www.husqvarna.com

Original instructions



1144014-38



2024-04-08