



en

pl

hu

cs

sk

el

sl

hr

sr

uk

ro

tr

bg

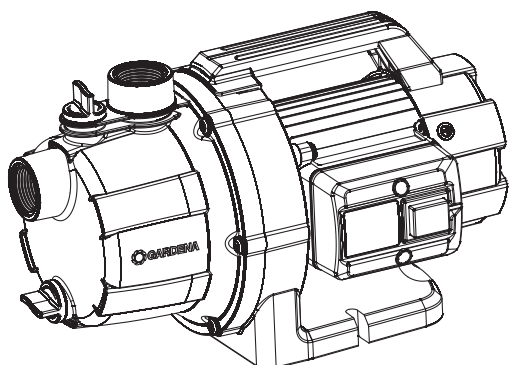
sq

et

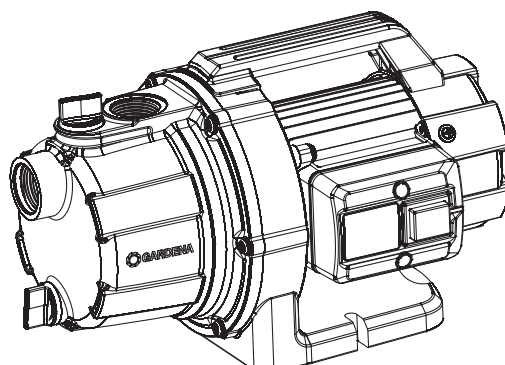
lt

lv

ru



GP 3000/4 BASIC Art. 9010-29



GP 3700/4 BASIC Art. 9014-29

en **Operator's manual**
Garden Pump

pl **Instrukcja obsługi**
Pompa ogrodowa

hu **Használati utasítás**
Kerti szivattyú

cs **Návod k obsluze**
Zahradní čerpadlo

sk **Návod na obsluhu**
Záhradné čerpadlo

el **Οδηγίες χρήσης**
Αντλία κήπου

sl **Navodilo za uporabo**
Vrtna črpalka

hr **Upute za uporabu**
Vrtna pumpa

sr **Uputstvo za rad**
Baštenska pumpa

uk **Інструкція з експлуатації**
Садовий насос

ro **Instrucțiuni de utilizare**
Pompă de grădină

tr **Kullanma Kılavuzu**
Bahçe pompası

bg **Инструкция за експлоатация**
Градинска помпа

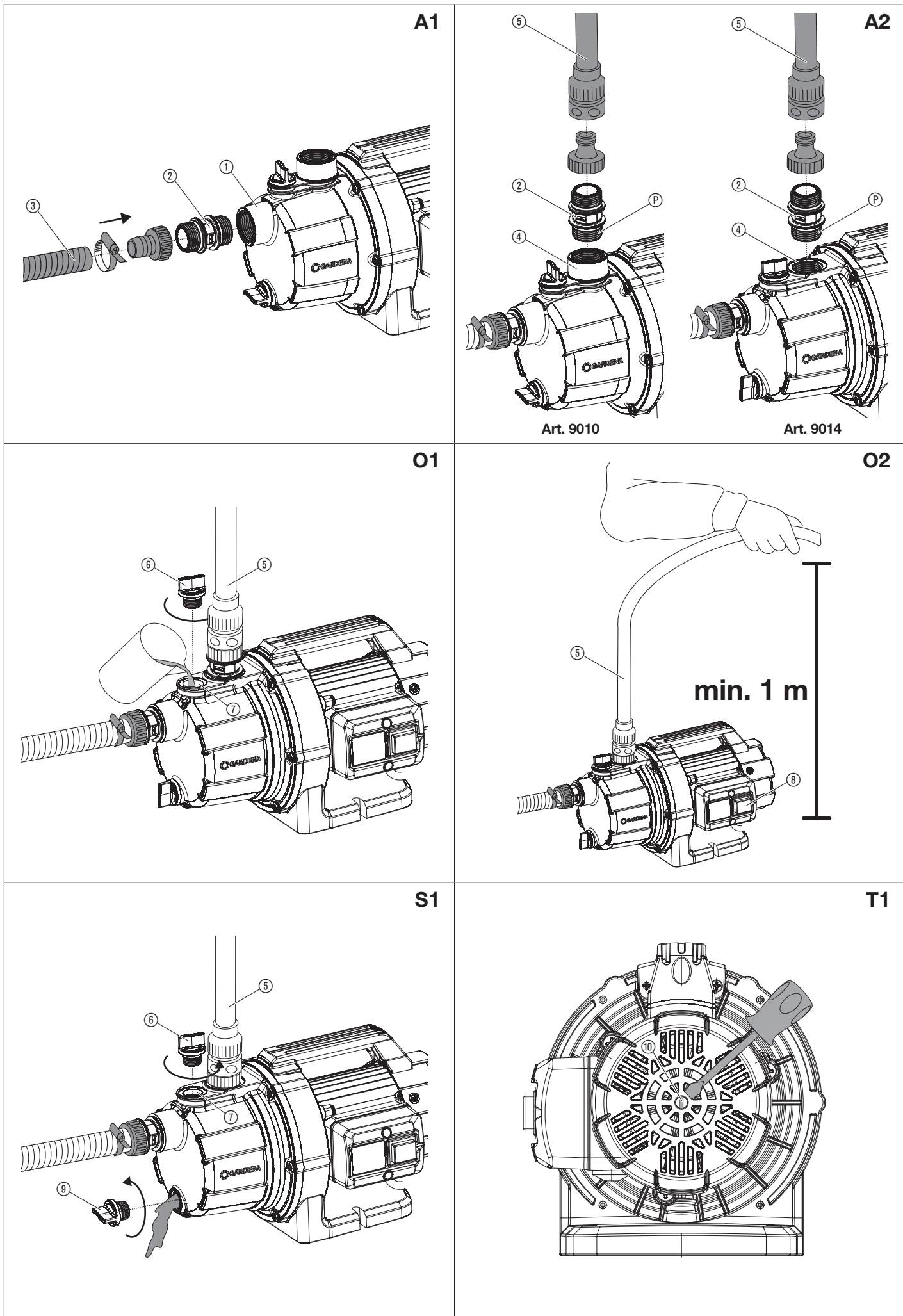
sq **Manual përdorimi**
Pompë e kopshtit

et **Kasutusjuhend**
Aiapump

lt **Eksploatavimo instrukcija**
Sodo siurblys

lv **Lietošanas instrukcija**
Dārza sūkņis

ru **Инструкция по эксплуатации**
Садовый насос



en Garden Pump

1. SAFETY INSTRUCTIONS	4
2. ASSEMBLY	5
3. OPERATION	5
4. MAINTENANCE	5
5. STORAGE	5
6. TROUBLESHOOTING	5
7. TECHNICAL DATA	6
8. ACCESSORIES/SPARE PARTS	6
9. WARRANTY/SERVICE	6
10. DISPOSAL	6

Original instructions.



This product may be used under supervision, or if instruction regarding the safe use of the product has been provided and the resulting dangers have been understood, by children aged 8 and above, as well as by persons with physical, sensory or mental disabilities or a lack of experience and knowledge. Children must not be allowed to play with the product. Cleaning and user maintenance must not be performed by children without supervision. The use of this product by young people under the age of 16 is not recommended. Never operate the product when you are tired, ill or under the influence of alcohol, drugs or medicine.

Intended use:

The **GARDENA Garden Pump** is intended for pumping ground water and rain water, tap water and water containing chlorine in private domestic gardens and allotments.

Liquids to be pumped:

The GARDENA Garden Pump must only be used to pump water.

When the pump is used for pressure boosting, the maximum permissible internal pressure of 6 bar (on the delivery side) must not be exceeded. The increased delivery pressure and the pump pressure have to be added together.

- **Example:** Pressure at the tap = 2.5 bar,
max. pressure of the Garden Pump Art. 9010 = 3.5 bar,
total pressure = 6.0 bar.

The product is not intended for long term use (continuous circulation operation).



DANGER! Risk of injury!

→ The pump must not be used for the delivery of salt water, muddy water, corrosive, easily inflammable or explosive liquids (e.g. petrol, paraffin, thinners), oil, heating oil or foodstuffs.

1. SAFETY INSTRUCTIONS

IMPORTANT!

Read the operator's manual carefully before use and keep for future reference.

Symbols on the product:



Read operator's manual.

General safety warnings

Electrical safety



DANGER! Electric shock!

Risk of injury due to electric current.

- The product must be supplied through a residual current device (RCD) having a rated residual operating current not exceeding 30 mA.



DANGER! Risk of physical injury!

Risk of injury due to electric current.

- Disconnect the product from the mains before you maintain or replace parts. Thereby the disconnected socket must be in the visual range.

Safe operating practices

The water temperature should not exceed 35 °C.

The pump must not be used when people are in the water.

Pollution of the liquid could occur due to leakage of lubricants.

Circuit breaker

Thermal protection switch:

In the event of an overload, the pump is switched off by the built-in thermal motor protection. After sufficient cooling of the motor, the pump is operational again.

Additional safety warnings

Electrical safety



DANGER! Cardiac arrest!

This product makes an electromagnetic field while it operates. This field may under some conditions interfere with active or passive medical implants. To decrease the risk of conditions that can possibly injure or kill, we recommend persons with medical implants to speak with their physician and the medical implant manufacturer before you operate the product.

Cables

If extension cables are used, these must comply with the minimum cross-sections in the table below:

Voltage	Cable length	Cross section
230 – 240 V/ 50 Hz	Up to 20 m	1.5 mm ²
230 – 240 V/ 50 Hz	20 – 50 m	2.5 mm ²



DANGER! Electric shock!

Risk of injury due to electric current.

- Disconnect the product from the mains before you put into storage, maintain or troubleshoot.

The pump must be located on solid, even ground, protected from flooding. Take care that the pump cannot fall into water. Position the pump at a safe distance (min. 2 m) from the liquid to be pumped. As an additional safety device an authorised safety switch can be used.

- Please ask your electrician for his advice.

If the supply cord is damaged, it must be replaced by the manufacturer, its service agent or similarly qualified persons in order to avoid a hazard.

Protect the mains plug and the mains power cable from heat, oil and sharp edges.

Do not use the power cable for carrying the pump or for unplugging.

Protect the pump from rain. Don't use the pump in wet or moist areas.

Please regularly check the connecting line.

Before using, always subject the pump (especially the power cables and the power connections) to a visual inspection.

A pump which is damaged must not be used. In the event of damage, have the pump checked by GARDENA Service.

When using our pumps with a generator, the warnings of the generator manufacturer must be observed.

Personal safety



DANGER! Risk of suffocation!

Small parts can be easily swallowed. There is also a risk that the poly-bag can suffocate toddlers. Keep toddlers away when you assemble the product.



DANGER! Risk of injury due to hot water!

If the pump is operated for prolonged periods of time (> 5 min.) with the delivery side closed, the water in the pump may heat up so that there is a risk of scalding yourself with hot water.

- The pump should not run against the closed delivery side for more than 5 minutes.

If the water supply on the intake side of the pump fails, the water in the pump can heat up so that if water emerges, injuries could be caused by the hot water.

- Disconnect the pump from the mains via the main circuit breaker, let the water cool and secure the suction-side water supply before putting into operation again.

When connecting the pump to the water supply system, the country-specific sanitary regulations must be observed to prevent water not of drinking water quality being drawn back in.

- Please consult a specialist for sanitary installations.

In order to avoid dry-running of the pump, take care that the end of the suction hose is always submerged into the liquid.

- Before each operation, fill the pump to overflowing with approx. 2 to 3 l of the liquid to be pumped!

Sand and other abrasive substances cause increased wear and reduce the pump's output.

- Use a pump pre-filter for pumping sandy liquids.

Pumping dirty water, e.g. stones, pine needles etc., can cause damage to the pump.

- Do not pump dirty water.

2. ASSEMBLY



DANGER! Risk of injury!

Injury when the product starts accidentally.

→ **Disconnect the product from the mains before you assemble the product.**

To set up the pump:

The site must be firm and solid in order to ensure safe and sturdy operating conditions for the pump.

→ Position the pump at a safe distance (min. 2 m) from the water.

The pump must be installed in a location with low air humidity and sufficient ventilation in the area of the ventilation slots. It must be at a distance of at least 5 cm from the walls. Dirt (e.g. sand or soil) must not be sucked in through the ventilation slots.

The plastic connection pieces on the intake and delivery sides may only be tightened by hand.

To connect the hose to the suction side [Fig. A1]:

Don't use any hose quick connection system fittings on the suction side!

→ A vacuum-resistant suction hose must be used, e.g. **GARDENA Suction Unit, Art. 1411** or **GARDENA Bore Hole Suction Hose Art. 1729**.

In order to reduce the suction time, it is advisable to use a suction hose with backflow preventer avoiding automatic draining of the suction hose when the pump has been switched off.

1. Screw the pump connection piece ② into the connector on the suction side ①.
2. Connect the vacuum-resistant suction hose ③ airtight to the pump connection piece ② of the pump.
3. For suction heights exceeding 4 m: Also fix the suction hose ③ (e.g. by fastening it to a wooden post).
This relieves the pump of the weight of the suction hose.

To connect the hose to the pressure side [Fig. A2]:

The pump connection ④ is equipped with a 33.3 mm (G 1") internal thread.

E.g. a GARDENA pump connection piece Art. 1745 is required for the GARDENA Connection System (for Art. 9010 included in scope of delivery).

19 mm (3/4")-/16 mm (5/8") and 13 mm (1/2") hoses can be connected via the GARDENA Connection System.

Hose diameter	Pump connection	
13 mm (1/2")	GARDENA Pump Connection Set	Art. 1750
16 mm (5/8")	GARDENA Tap Connector	Art. 18202
	GARDENA Hose Connector	Art. 18216
19 mm (3/4")	GARDENA Pump Connection Set	Art. 1752

Optimised use of the pump capacity is achieved by connecting 19 mm (3/4") hoses with e.g.

– **GARDENA Pump Connection Set Art. 1752,**

or by connecting 25 mm (1") hoses with

– **GARDENA Quick Thread Coupling with male thread Art. 7115/ Quick Coupling Hose Connector Art. 7103.**

1. **Only for Art. 9014:** Use sealing tape ⑩ on the external thread of the pump connection piece.
2. Screw the pump connection piece ② into the connector on the delivery side ④ (Only with Art. 9010 in the scope of delivery).
3. Connect the pressure hose ⑤ to the pump connection piece ②.

If more than one hose/accessory is connected simultaneously, we recommend using the

– **GARDENA 2- or 4-Channel Water Distributor Art. 8193/8194, GARDENA Twin-Tap Connector Art. 940**

which can be screwed directly onto the pump connection piece ②.

3. OPERATION



DANGER! Risk of injury!

Injury when the product starts accidentally.

→ **Disconnect the product from the mains before you connect, adjust or transport the product.**

To pump water [Fig. O1/O2]:



CAUTION! Dry-Running of the pump!

→ **Fill the pump with water up to the overflow (approx. 2 to 5 l) before each start-up.**

1. Unscrew the screw fitting ⑥ of the filler neck ⑦ by hand.
2. Fill the pump via the filler neck ⑦ to overflowing with approx. 2 to 5 l of water.
3. Tighten the screw fitting ⑥ of the filler neck ⑦ by hand (do not use pliers).
4. Open any shut-off valves in the delivery line (accessories, water stop, etc.).
5. Drain remaining water in pressure hose ⑤ so that air can escape during the suction process.
6. Connect the pump to the mains.
7. Lift and hold the delivery hose ⑤ at least 1 m vertically above the pump, press the On/Off switch ⑧ and wait until the pump has primed.

→ **If the pump does not deliver water after approx. 5 minutes, switch off the pump (press On/Off switch ⑧) (see 6. TROUBLESHOOTING).**

The specified maximum self-priming suction height of 7 m is reached only if the pump is filled via the filler neck ⑦ up to the overflow and if, while doing so and during the self-priming, the delivery hose ⑤ is held up sufficiently high to prevent any water escaping from the pump via the delivery hose ⑤.

Rust formation: The pump Art. 9014 has a cast iron housing. After contact with water, rust will form (this does not damage the pump and is not covered by the warranty). Therefore rusting water may initially escape after switching on the pump.

4. MAINTENANCE



DANGER! Risk of injury!

Injury when the product starts accidentally.

→ **Disconnect the product from the mains before you maintain the product.**

To flush the pump:

After pumping chlorinated water, the pump must be flushed.

1. Pump lukewarm water (max. 35 °C), possibly adding a mild cleaning agent (e.g. detergent) until the pumped water runs clear.
2. Remove residuals according to the waste disposal laws applicable in your area.

5. STORAGE

To put into storage [Fig. S1]:

The pump is not frost-proof!

The product must be stored away from children.

1. Disconnect the pump from the mains.
2. If applicable, close all the shut-off devices on the intake side.
3. Open all the tapping points.
The pressure side is depressurized.
4. Open the screw fitting ⑥ of the filler neck ⑦ and the water drain screw ⑨.
The Garden Pump drains.
5. Store the pump in a dry, enclosed and frost-free place.

6. TROUBLESHOOTING



DANGER! Risk of injury!

Injury when the product starts accidentally.

→ **Disconnect the product from the mains before you troubleshoot the product.**

To loosen the impeller [Fig. T1]:

An impeller blocked by dirt can be freed again.

→ Turn shaft of the impeller ⑩ with a screwdriver.
This will loosen the stuck impeller.

Problem	Possible Cause	Remedy
Pump is running, but the suction action doesn't take place	Leaky or damaged suction hose.	→ Check suction line for damage and seal so is airtight.
	The pump was not filled with water.	→ Fill the pump (see 3. OPERATION).
	The liquid escapes over the hose which is connected to the delivery side during the suction action.	→ 1. Fill the pump again (see 3. OPERATION). 2. When starting operation hold the pressure hose approx. 1 m vertically above the pump, until the suction action has taken place.
	Absolutely vacuum-resistant connection is achieved by using GARDENA Suction Hoses (see 8. ACCESSORIES).	
	Leaky screw fitting at the filler neck.	→ Check seal (replace if necessary) and tighten connection securely (do not use pliers).
	Air cannot escape, since delivery side is closed or remaining water is in the pressure hose.	→ Open shut-off valves (e.g. nozzle) in the delivery line, empty the delivery hose or disconnect it from the pump during priming.
	The waiting time wasn't observed.	→ Switch on the pump and wait up to 5 min.
	Suction filter or backflow preventer in the suction hose clogged.	→ Clean the filter or the back flow preventer.
	Too high suction height.	→ Reduce suction height.
	In case of any other difficulties concerning the suction action, use GARDENA Suction Hoses with Backflow Preventer (see 8. ACCESSORIES) and fill in the liquid to be pumped over the filler neck before operation.	
Pump does not start, or stops suddenly during operation	Thermal switch has turned the pump off because of over-heating.	→ Observe the max. media temperature (35 °C).
	No power supply to the pump.	→ Check fuses and electrical plug connections.
	RCD has triggered (residual current).	→ Disconnect the pump and contact the GARDENA Service.
	Pump is not switched on.	→ Push the On/Off switch to On.
Pump is running but the delivery drops suddenly	Suction hose end is not in water.	→ Submerge the end of the suction hose deeper in the water.
	Suction filter or backflow preventer clogged.	→ Clean the suction filter or back-flow preventer.
	Leaks at suction side.	→ Eliminate leak.
	Impeller blocked.	→ Release impeller.
Noise development in the hydraulic area	In the case of strong flows (e.g. open hose end, without connecting device), noise may result in the hydraulic part of the pump. This is harmless and does not lead to damage of the pump. The noise can be removed by lightly changing the flow (e.g. light opening/closing of a connecting device).	



NOTE: For any other malfunctions please contact the GARDENA service department. Repairs must only be done by GARDENA service departments or specialist dealers approved by GARDENA.

7. TECHNICAL DATA

Garden Pump	Unit	Value (Art. 9010)	Value (Art. 9014)
Rated power	W	600	800
Mains voltage	V (AC)	230	230
Mains frequency	Hz	50	50
Max. delivery capacity	l/h	3000	3700
Max. pressure/ max. delivery head	bar / m	3.5 / 35	4.1 / 41
Max. self-priming suction height	m	7	7

Garden Pump	Unit	Value (Art. 9010)	Value (Art. 9014)
Permitted internal pressure (delivery side)	bar	6	6
Power cable	m	1.5 (H07RN-F)	1.5 (H07RN-F)
Weight	kg	5.3	8.2
Sound power level $L_{WA}^{(1)}$ measured/ guaranteed Uncertainty $K_{WA}^{(2)}$	dB(A)	77 / 80 3	77 / 80 2.36
Max. media temperature	°C	35	35

Measuring process complying with: ¹ RL 2000/14/EU ² ISO 4871

8. ACCESSORIES/SPARE PARTS

GARDENA Suction Hoses	Kink-proof and vacuum-proof, optionally available by the metre Art. 1720/1721 (19 mm (3/4")-/25 mm (1")) without connecting fittings or in fixed length Art. 1411/1418 complete with connecting fittings.	
GARDENA Suction Hose Fitting	For connection on the suction side.	Art. 1723/1724
GARDENA Pump Connection Set	For connection on the delivery side.	Art. 1750/1752
GARDENA Suction Filter with backflow preventer	To equip suction hoses with backflow preventer sold by the metre.	Art. 1726/1727/1728
GARDENA Pump Preliminary-Filter	Recommended for pumping sandy liquids.	Art. 1730/1731
GARDENA Electronic Manometric Switch	Automatically cuts in and out the pump depending on the current operating pressure. With dry-running safety.	Art. 1739
GARDENA Bore Hole Suction Hose	For vacuum-resistant connection of the pump to boreholes or pipe networks. Length 0.5 m. With 33.3 mm (G1) female thread at both ends.	Art. 1729
GARDENA Floating suction system	For dirt-free suction below the water surface.	Art. 1417
GARDENA Pump Connection Piece	For connecting the GARDENA Connection System on the pressure side.	Art. 1745

9. WARRANTY/SERVICE

9.1 Product registration:

Please register your product at gardena.com/registration.

9.2 Service:

Please find the current contact information of our service on the back page and online:

- United Kingdom: <https://www.gardena.com/uk/support/advice/contact/>
- USA: <https://us.gardena.com/pages/contact>
- Canada: <https://www.gardena.com/ca-en/c/support/contact>
- Australia: <https://www.gardena.com/au/support/advice/contact/>
- New Zealand: <https://www.gardena.com/nz/support/advice/contact/>
- South Africa: <https://www.gardena.com/za/support/contact/>
- Other countries: <https://www.gardena.com/int/c/support/contact>

10. DISPOSAL

10.1 Disposal of the pump:

(according to Directive 2012/19/EU)



The product must not be disposed of to normal household waste. It must be disposed of in line with local environmental regulations.

IMPORTANT!

→ Dispose of the product through or via your municipal recycling collection centre.

pl Pompa ogrodowa

1. WSKAZÓWKI BEZPIECZEŃSTWA	7
2. MONTAŻ	8
3. OBSŁUGA	8
4. KONSERWACJA	8
5. PRZECHOWYWANIE	9
6. USUWANIE USTEREK	9
7. DANE TECHNICZNE	9
8. AKCESORIA/CZĘŚCI ZAMIENNE	9
9. GWARANCJA/SERWIS	10
10. UTYLIZACJA	10

Tłumaczenie instrukcji oryginalnej.



Dzieci od 8 r. ż. oraz osoby o ograniczonych zdolnościach fizycznych, sensorycznych lub psychicznych lub też nieposiadające doświadczenia i wiedzy mogą używać produktu pod warunkiem, że są przy tym nadzorowane lub zostały poinstruowane na temat bezpiecznego użytkowania produktu oraz rozumieją niebezpieczeństwa wynikające z jego użycia. Nie wolno dzieciom bawić się produktem. Nie wolno dzieciom dokonywać czyszczenia i konserwacji przez użytkownika urządzenia, jeżeli nie są one przy tym nadzorowane. Produkt nie powinien być użytkowany przez osoby w wieku poniżej 16. roku życia. Nie wolno używać produktu, jeśli użytkownik jest zmęczony, chory, pod wpływem alkoholu, narkotyków lub lekarstw.

Użytkowanie zgodnie z przeznaczeniem:

Pompa ogrodowa GARDENA może być stosowana do tłoczenia wody gruntowej, deszczowej, wody wodociągowej i chlorowanej w prywatnych ogrodach przydomowych i ogródkach działkowych.

Tłoczone ciecze:

Przy pomocy pompy ogrodowej GARDENA można tłoczyć wyłącznie wodę.

W przypadku stosowania pompy w celu zwiększenia ciśnienia nie wolno przekroczyć maksymalnego dopuszczalnego ciśnienia wewnętrznego wynoszącego 6 bar (po stronie tłocznej). Podwyższone ciśnienie i ciśnienie pompy sumują się.

- **Przykład:** Ciśnienie wody w kranie = 2,5 bar, maks. ciśnienie pompy ogrodowej art. 9010 = 3,5 bar, ciśnienie łączne = 6,0 bar.

Produkt nie jest przeznaczony do długotrwałego użytkowania (długotrwała cyrkulacja).



NIEBEZPIECZEŃSTWO! Ryzyko obrażeń ciała!

→ Zabrania się używania pompy do tłoczenia wody stoniej, brudnej wody, substancji żrących, łatwopalnych lub wybuchowych (np. benzyny, ropy naftowej, rozpuszczalnika nitro), olejów, oleju opałowego czy artykułów spożywczych.

1. WSKAZÓWKI BEZPIECZEŃSTWA

WAŻNE!

Należy starannie zapoznać się z instrukcją obsługi i zachować ją do późniejszego wykorzystania.

Symbole umieszczone na produkcie:



Należy przeczytać instrukcję obsługi.

Ogólne wskazówki bezpieczeństwa

Bezpieczeństwo elektryczne



NIEBEZPIECZEŃSTWO! Ryzyko porażenia prądem elektrycznym!
Ryzyko obrażeń ze względu na prąd elektryczny.

→ Produkt musi być zasilany prądem za pośrednictwem wyłącznika różnicowoprądowego (RCD) o znamionowym prądzie wyzwalającym maksymalnie 30 mA.



NIEBEZPIECZEŃSTWO! Ryzyko obrażeń!

Ryzyko obrażeń ze względu na prąd elektryczny.

→ Przed przystąpieniem do konserwacji lub wymiany elementów odłączyć produkt od sieci. Gniazdo musi znajdować się przy tym w zasięgu wzroku użytkownika.

Bezpieczna obsługa

Temperatura wody nie może przekroczyć 35 °C.

Pompy nie wolno używać, jeśli w wodzie znajdują się ludzie.

Wyciek środków smarnych może spowodować zabrudzenie cieczy.

Wyłącznik ochronny

Wyłącznik termiczny:

W przypadku przeciążenia pompa wyłącza się dzięki wbudowanemu termicznemu bezpiecznikowi silnika. Po wystarczającym wychłodzeniu silnika pompa jest ponownie gotowa do pracy.

Dodatkowe wskazówki bezpieczeństwa

Bezpieczeństwo elektryczne



NIEBEZPIECZEŃSTWO! Zatrzymanie akcji serca!

Podczas pracy produkt wytwarza pole elektromagnetyczne. W określonych warunkach pole to może oddziaływać na aktywne i pasywne implanty medyczne. Aby uniknąć ryzyka poważnych lub śmiertelnych obrażeń ciała, zalecamy osobom posiadającym implanty medyczne przed użyciem produktu skontaktować się z lekarzem lub producentem implantu.

Kable

W przypadku używania kabli przedłużających kable te muszą odpowiadać przekrojom minimalnym, zamieszczonym w poniższych tabeli:

Napięcie	Długość kabla	Przekrój
230 – 240 V/50 Hz	Do 20 m	1,5 mm ²
230 – 240 V/50 Hz	20 – 50 m	2,5 mm ²



NIEBEZPIECZEŃSTWO! Ryzyko porażenia prądem elektrycznym!

Ryzyko obrażeń ze względu na prąd elektryczny.

→ Przed przystąpieniem do konserwacji lub usuwania usterek odłączyć produkt od zasilania.

Pompa musi być ustawiona stabilnie, nie może być narażona na zalanie i musi być zabezpieczona przed wpadnięciem do zbiornika. Pompę ustawiać w bezpiecznej odległości (min. 2 m) od tłoczonego medium. Jako dodatkowe zabezpieczenie można zastosować atestowany wyłącznik różnicowo-prądowy na kablu.

→ Proszę zwrócić się o poradę do wykwalifikowanego elektryka.

W celu uniknięcia zagrożeń uszkodzony przewód przyłączeniowy urządzenia powinien zostać wymieniony przez producenta, punkt serwisowy lub inną wykwalifikowaną osobę.

Wtyczkę i kabel przyłączeniowy należy chronić przed gorącym, olejem i ostrymi krawędziami.

Pompy nie należy nosić za kabel. Nie wolno wyciągać wtyczki ciągnąc za kabel. Pompy nie należy narażać na deszcz. Nie należy jej również używać w mokrym lub wilgotnym otoczeniu.

Regularnie sprawdzać przewód podłączeniowy.

Przed użyciem należy skontrolować czy pompa (w szczególności kabel przyłączeniowy i wtyczka) nie jest uszkodzona.

Uszkodzona pompa nie może być używana. W razie uszkodzenia należy zlecić sprawdzenie pompy w serwisie firmy GARDENA.

Korzystając z naszych pomp w połączeniu z generatorem prądu należy stosować się do wskazówek ostrzegawczych producenta generatora.

Bezpieczeństwo osobiste



NIEBEZPIECZEŃSTWO! Ryzyko uduszenia!

Istnieje ryzyko połknięcia drobnych części. W przypadku małych dzieci istnieje ryzyko uduszenia plastikową torebką. Dzieci należy trzymać z dala od miejsca montażu produktu.



NIEBEZPIECZEŃSTWO! Ryzyko odniesienia obrażeń z powodogorącej wody!

W przypadku długiej (> 5 min.) pracy przy zamkniętej stronie tłocznej może dojść do podgrzania wody w pompie, tak, że istnieje niebezpieczeństwo poparzenia.

→ Pompa może pracować przez maksymalnie 5 minut przy zamkniętej stronie tłocznej.

W przypadku zaburzenia dopływu wody od strony ssącej może dojść do znacznego podgrzania wody w pompie, co może doprowadzić do poparzenia podczas wypływu wody o tak wysokiej temperaturze.

→ Wyłączyć pompę z sieci elektrycznej, odczekać aż woda ostudzi się i przed ponownym uruchomieniem sprawdzić dopływ wody po stronie tłocznej.

W przypadku wykorzystania pompy do zaopatrywania gospodarstwa domowego w wodę należy przestrzegać lokalnych przepisów i norm dotyczących zaopatrywania w wodę i jej odprowadzania.

→ W przypadku wątpliwości należy skontaktować się z hydraulikiem.

Aby zapobiec pracy pompy "na sucho" należy zwrócić uwagę na to, aby końcówka węża ssącego stale znajdowała się w tłoczonym medium.

→ Przed każdym uruchomieniem należy napełnić pompę tłoczoną cieczą aż do przepełnienia pompy (około 2 do 3 l)!

Piasek i inne ściernie substancje w tłoczonym cieczy powodują przyspieszone zużycie i spadek wydajności.

→ W przypadku wody zawierającej piasek używać dodatkowo filtra wstępnego pompy.

Pompowanie wody zanieczyszczonej np. kamieniami, igłami z drzew itp. może doprowadzić do uszkodzenia pompy.

→ Nie pompować brudnej wody.

– szybkozłączem mosiężnym GARDENA art. 7115/szybkozłączem mosiężnym z końcówką do węża art. 7103.

1. **Dotyczy wyłącznie art. 9014:** stosować taśmę uszczelniającą ① na gwincie zewnętrznym przyłącza do węża.
2. Nakręcić przyłącze do pompy ② na króciec przyłączeniowy po stronie tłocznej ④ (zawarty w zestawie wyłącznie w przypadku art. 9010).
3. Wąż ciśnieniowy ⑤ podłączyć do przyłącza do pompy ②.

W przypadku równoległego podłączenia kilku węży/urządzeń końcowych zalecamy zastosowanie

– rozdzielacza podwójnego lub poczwórnego GARDENA art. 8193/8194, bądź rozdzielacza podwójnego GARDENA art. 940,

które można nakręcić bezpośrednio na przyłącze do pompy ②.

2. MONTAŻ



NIEBEZPIECZEŃSTWO! Ryzyko obrażeń ciała!
Ryzyko obrażeń w przypadku uruchomienia produktu bez nadzoru.

→ Przed przystąpieniem do montażu odłączyć produkt od zasilania.

Ustawienie pompy:

Miejsce ustawienia pompy musi być mocne i suche oraz powinno zapewnić pompie mocne podparcie.

→ Pompę ustawiać w bezpiecznej odległości (min. 2 m) od wody.

Pompa musi być ustawiona w miejscu zapewniającym swobodny dopływ powietrza o niskiej wilgotności w obrębie otworów napo wietrzających. Odległość od ściany musi wynosić minimum 5 cm. Przez otwory napowietrzające nie mogą być zasysane zanieczyszczenia (np. piasek lub ziemia).

Przyłącza z tworzywa sztucznego od strony ssącej i tłocznej należy dokręcać tylko ręcznie.

Podłączenie węża po stronie ssącej [rys. A1]:

Od strony ssącej nie stosować węży przyłączanych do pompy za pomocą szybkozłączek.

→ Po stronie ssącej zastosować wąż podciśnieniowy, np. **armaturę ssącą GARDENA art. 1411** lub **wąż ssący do studni abisyńskiej GARDENA art. 1729**.

Aby skrócić czas ponownego zasysania, zalecamy zastosowanie węża ssącego z zaworem zwrotnym, który zapobiega samoczynnemu opróżnieniu się węża ssącego po wyłączeniu pompy.

1. Nakręcić przyłącze do pompy ② na króciec przyłączeniowy po stronie ssącej ①.
2. Wąż ssący podciśnieniowy ③ połączyć z przyłączem do pompy ② i szczelnie dokręcić.
3. Przy wysokościach zasysania powyżej 4 m należy dodatkowo przy-mocować wąż ssący ③ (np. przywiązać do drewnianego palika).
W ten sposób pompa uwolniona jest od ciężaru węża ssącego.

Podłączenie węża po stronie tłocznej [rys. A2]:

Przyłącze do pompy ④ jest wyposażone w gwint wewnętrzny 33,3 mm (G 1").

System szybkozłączek GARDENA wymaga zastosowania np. przyłącza do pompy GARDENA art. 1745 (w przypadku art. 9010 zawarty w zestawie).

Za pomocą systemu szybkozłączek GARDENA można podłączyć węże 19 mm (3/4")/16 mm (5/8")/13 mm (1/2").

Przekrój węża	Podłączenie pompy	
13 mm (1/2")	GARDENA Zestaw przyłącze niowy węża do pompy	art. 1750
16 mm (5/8")	GARDENA Przyłącze kranowe GARDENA Szybkozłącze węża	art. 18202 art. 18216
19 mm (3/4")	GARDENA Zestaw przyłącze niowy węża do pompy	art. 1752

Optymalną wydajność pompy zapewnia zastosowanie węża 19 mm (3/4") w połączeniu np. z

– **Zestawem przyłączeniowym węża do pompy GARDENA art. 1752,**

lub węża 25 mm (1") w połączeniu z

3. OBSŁUGA



NIEBEZPIECZEŃSTWO! Ryzyko obrażeń ciała!
Ryzyko obrażeń w przypadku uruchomienia produktu bez nadzoru.

→ Przed podłączeniem produktu oraz przystąpieniem do jego regulacji lub transportu należy odłączyć produkt od zasilania.

Pompowanie wody [rys. O1/O2]:



UWAGA! Praca pompy na sucho!

→ Przed każdym uruchomieniem napełnić pompę wodą aż do jej przepełnienia (ok. 2 – 5 l).

1. Ręcznie odkręcić zakrętkę ⑥ na króćcu wlewowym ⑦.
2. Napełnić pompę wodą przez króciec wlewowy ⑦ aż do jej przepełnienia (ok. 2 – 5 l).
3. Mocno zakręcić ręcznie nakrętkę ⑥ na króćcu wlewowym ⑦ (nie stosować narzędzi).
4. Otworzyć ewentualnie zamontowane zawory odcinające w przewodzie tłoczonym (urządzenia końcowe, zawór itp.).
5. Opróżnić wąż ciśnieniowy ⑤ z resztek wody, aby powietrze mogło się wydostać podczas zasysania.
6. Podłączyć pompę do zasilania.
7. Trzymać wąż ciśnieniowy ⑤ przynajmniej przez 1 m pionowo nad pompą skierowany w górę, nacisnąć przełącznik ZAŁ/WYŁ ⑧ i poczekać, aż pompa zassie wodę.

→ **Jeżeli po ok. 5 minutach pompa nie tłoczy wody, wyłączyć pompę (nacisnąć przełącznik ZAŁ/WYŁ ⑧) (patrz 6. USUWANIE USTEREK).**

Podaną maksymalną wysokość samozasysania 7 m można uzyskać, jeżeli pompa została napełniona poprzez króciec wlewowy ⑦ aż do przepełnienia, a wąż ciśnieniowy ⑤ podczas napełniania i samozasysania pompy jest skierowany do góry tak, aby nie mogła przez niego wyciekać woda z pompy.

Rdzewienie: pompa art. 9014 jest wyposażona w obudowę z żeliwa. Po kontakcie z wodą dochodzi zatem do tworzenia się rdzy (zjawisko takie nie jest szkodliwe dla pompy i nie jest objęte gwarancją). Dlatego po włączeniu pompy tłoczona woda może mieć początkowo rdzawy kolor.

4. KONSERWACJA



NIEBEZPIECZEŃSTWO! Ryzyko obrażeń ciała!
Ryzyko obrażeń w przypadku uruchomienia produktu bez nadzoru.

→ Przed przystąpieniem do konserwacji odłączyć produkt od zasilania.

Przeplukanie pompy:

Po pompowaniu chlorowanej wody pompę należy przeplukać.

1. Pompować letnią wodę (maks. 35 °C), ewentualnie z dodatkiem łagodnego środka czyszczącego (np. płynu do mycia naczyń), do momentu, w którym pompowana woda będzie czysta.
2. Pozostałości należy usuwać zgodnie z przepisami ustawy usuwaniu odpadów.

5. PRZECHOWYWANIE

Przerwa w używaniu [rys. S1]:

Pompa nie jest odporna na mróz!

Produkt przechowywać poza zasięgiem dzieci.

1. Odłączyć pompę od zasilania.
2. Zamknąć ew. wszystkie urządzenia zamykające po stronie ssącej.
3. Otworzyć wszystkie punkty poboru.
Spowoduje to brak ciśnienia po stronie tłocznej.
4. Odkręcić zakrętkę ⑥ na króćcu wlewowym ⑦ i śrubę spustową wody ⑧.
Pompa opróżnia się.
5. Przechowywać pompę w suchym, zamkniętym i zabezpieczonym przed działaniem mrozu miejscu.

6. USUWANIE USTEREK



NIEBEZPIECZEŃSTWO! Ryzyko obrażeń ciała!

Ryzyko obrażeń w przypadku uruchomienia produktu bez nadzoru.

→ **Przed przystąpieniem do usuwania usterek odłączyć produkt od zasilania.**

Odblokowywanie wirnika [rys. T1]:

Można odblokować wirnik zablokowany przez zabrudzenia.

→ Wał wirnika ⑩ obrócić za pomocą wkrętaka.
Powoduje to zwolnienie zablokowanego wirnika.

Problem	Możliwa przyczyna	Postępowanie
Pompa pracuje, ale nie zasysa	Nieszczelny, ewentualnie uszkodzony wąż ssący.	→ Sprawdzić wąż ssący pod kątem uszkodzeń i dokładnie uszczelnić.
	Pompa nie została napełniona wodą.	→ Napełnić pompę (patrz 3. OBSŁUGA).
	Ciecz, którą była napełniona pompa wypływa podczas procesu samozasysania przez wąż podłączony od strony tłocznej.	→ 1. Ponownie napełnić pompę (patrz 3. OBSŁUGA). 2. W przypadku ponownego uruchomienia trzymać wąż ciśnieniowy przynajmniej przez 1 minutę pionowo nad pompą skierowany w górę, aż pompa zassie wodę.
	Całkowicie hermetyczne połączenie można uzyskać przy zastosowaniu węży ssących GARDENA (patrz 8. AKCESORIA).	
	Złącze śrubowe na króćcu wlewowym jest nieszczelne.	→ Sprawdzić uszczelkę (ewentualnie wymienić) i mocno dokręcić z akretkę (nie używać narzędzi).
	Powietrze nie może się wydostać, gdyż strona tłoczna jest zamknięta albo w węży ciśnieniowym znajdują się pozostałości wody.	→ Otworzyć zawory odcinające znajdujące się na przewodzie tłocznym (np. spryskiwacz) lub opróżnić wąż ciśnieniowy.
	Zbyt krótka praca pompy.	→ Włączyć pompę i odczekać maks. 5 minut.
	Zatkany filtr ssący albo zawór zwrotny.	→ Oczyszczyć filtr lub zawór zwrotny.
	Zbyt duża wysokość ssania.	→ Zmniejszyć wysokość ssania.
	W przypadku innych problemów z zasysaniem należy zastosować wąż ssący GARDENA z zaworem zwrotnym (patrz 8. AKCESORIA) i przed uruchomieniem napełnić go tłoczoną cieczą przez króciec wlewowy.	
Pompa nie daje się uruchomić lub nagle przestaje pracować	W wyniku przeciążenia zadziałał wyłącznik termiczny pompy.	→ Nie przekraczać maksymalnej temperatury wody (35 °C).
	Pompa nie jest zasilana.	→ Sprawdzić bezpieczniki i złącza elektryczne.
	Zadziałał wyłącznik różnicowo-prądowy (prąd uszkodzeniowy).	→ Odłączyć pompę od zasilania i skontaktować się z serwisem GARDENA.
	Pompa nie jest włączona.	→ Przycisnąć przełącznik ZAŁ/WYŁ.

Problem	Możliwa przyczyna	Postępowanie
Pompa pracuje, ale nagle spada jej wydajność	Końcówka węża ssącego nie znajduje się w wodzie.	→ Końcówkę węża ssącego zanurzyć głębiej w wodzie.
	Niedrożny filtr ssący lub zawór zwrotny.	→ Oczyszczyć filtr ssący lub zawór zwrotny.
	Nieszczelność po stronie ssącej.	→ Zlikwidować nieszczelność.
	Zablokowany wirnik.	→ Odblokować wirnik.

Szumy w obszarze instalacji hydraulicznej W przypadku wysokich ilości przepływu (np. otwarte wyjście węża, bez podłączonego urządzenia) w obrębie układu hydraulicznego pompy mogą powstawać szumy. Nie jest to zjawisko niepokojące i nie powoduje uszkodzenia pompy. Szum można usunąć poprzez nieznaczną zmianę przepływu (np. niewielkie otwarcie/zamknięcie podłączonego urządzenia).



WSKAZÓWKA: w przypadku wystąpienia innych zakłóceń prosimy o kontakt z serwisem GARDENA. Naprawy mogą być wykonywane tylko przez punkty serwisowe GARDENA lub przez autoryzowanych przedstawicieli GARDENA.

7. DANE TECHNICZNE

Pompa ogrodowa	Jednostka	Wartość (art. 9010)	Wartość (art. 9014)
Moc znamionowa	W	600	800
Napięcie sieciowe	V (AC)	230	230
Częstotliwość sieciowa	Hz	50	50
Maks. wydajność	l/h	3000	3700
Maks. ciśnienie / maks. wysokość tłoczenia	bar / m	3,5 / 35	4,1 / 41
Max wysokość samozasysania	m	7	7
Dozwolone ciśnienie wewnętrzne (po stronie tłocznej)	bar	6	6
Kabel przyłączeniowy	m	1,5 (H07RN-F)	1,5 (H07RN-F)
Waga	kg	5,3	8,2
Poziom mocy akustycznej $L_{WA}^{1)}$ zmierzony/gwarantowany	dB(A)	77 / 80	77 / 80
Niepewność pomiaru $k_{WA}^{2)}$		3	2,36
Max temperatura pompowanej cieczy	°C	35	35

Metoda pomiarowa zgodnie z: ¹⁾ RL 2000/14/EU ²⁾ ISO 4871

8. AKCESORIA/CZĘŚCI ZAMIENNE

Węże ssące GARDENA	Bez zgjąć i próżni, do wyboru dostępne jako produkt na metry, nr artykułu 1720/1721 (19 mm (3/4")-/25 mm (1")) bez oprzyrządowania lub o określonej długości, nr artykułu 1411/1418 całość z oprzyrządowaniem.	
Armatura do węża ssącego GARDENA	Do podłączenia po stronie ssącej.	art. 1723/1724
Zestaw przyłączeniowy (węża 3/4") do pompy GARDENA	Do podłączenia po stronie tłocznej.	art. 1750/1752
Filtr ssący z zaworem zwrotnym GARDENA	Do montażu z węzami ssącymi sprzedawanymi na metry.	art. 1726/1727/1728
Filtr wstępny do pompy GARDENA	Szczególnie polecany przy pompowaniu zapiaszczonej wody.	art. 1730/1731
Elektroniczny wyłącznik GARDENA	Automatycznie załącza i wyłącza pompę w zależności od ciśnienia roboczego. Z zabezpieczeniem przed pracą „na sucho”.	art. 1739
Węże ssące do studni abisyńskich GARDENA	Do hermetycznego podłączenia pompy do studni abisyńskich albo stałych przewodów rurowych. Długość 0,5 m. Z obustronnym gwintem wewnętrznym 33,3 mm (G1”).	art. 1729
Pływająca końcówka ssąca GARDENA	Do zasysania wody bez zabrudzeń poniżej lustra wody.	art. 1417
Przyłącze węża GARDENA	Do podłączenia systemu szybkozłączek GARDENA po stronie tłocznej.	art. 1745

9. GWARANCJA/SERWIS

9.1 Rejestracja produktu:

Zarejestruj swój produkt na stronie gardena.com/registration.

9.2 Serwis:

Aktualne dane kontaktowe naszego serwisu znajdują się na odwrocie i w Internecie:

- Polska:
<https://www.gardena.com/pl/serwis-i-wsparcie/porady/kontakt/>

10. UTYLIZACJA

10.1 Utylizacja pompy:

(zgodnie z Dyrektywą 2012/19/UE)



Produktu nie wolno utylizować razem z normalnymi odpadami komunalnymi. Produkt należy utylizować zgodnie z lokalnymi przepisami ochrony środowiska.

WAŻNE!

→ Produkt należy utylizować za pośrednictwem lokalnego zakładu utylizacji odpadów.

hu Kerti szivattyú

1. BIZTONSÁGI ÚTMUTATÁSOK	10
2. SZERELÉS	11
3. KEZELÉS	11
4. KARBANTARTÁS	11
5. TÁROLÁS	12
6. HIBAELHÁRÍTÁS	12
7. MŰSZAKI ADATOK	12
8. TARTOZÉKOK/PÓTKATRÉSZEK	12
9. GARANCIA/SZERVIZ	12
10. ÁRTALMATLANÍTÁS	13

Az eredeti útmutató fordítása.



8 éves kor feletti gyermekek, valamint csökkent fizikai, érzékszervi vagy mentális képességekkel élő, vagy hiányos tapasztalatokkal és tudással rendelkező személyek a terméket csak másik személy felügyelete mellett, vagy olyan esetben használhatják, ha megfelelő eligazítást kapnak a termék biztonságos működtetéséről, és megértik az abból eredő veszélyeket. Gyermekeknek tilos játszani a termékkel. Gyermekek felügyelet nélkül nem végezhetnek tisztítást vagy felhasználó általi karbantartást. A termék használatát csak 16 éven felüli fiatalok számára ajánljuk. Soha ne használja a terméket, ha fáradt, beteg vagy alkohol, kábítószer, ill. gyógyszer hatása alatt áll.

Rendeltetésszerű használat:

A GARDENA Kerti szivattyú talaj- és esővíz, vezetékes víz és klórtartalmú víz továbbítására használható magánházakban és hétvégi telkeken.

Szállítható folyadékok:

A GARDENA kerti szivattyúval csak vizet szabad szállítani.

Ha a szivattyút nyomásfokozásra használja, akkor a maximálisan megengedett 6 bar belső nyomást (nyomóoldali nyomás) nem szabad túllépni. A növelni kívánt kimeneti nyomás és a szivattyúraható nyomás összeadó-dik.

- **Példa:** A vízcsapon megengedett nyomás = 2,5 bar, kerti szivattyú legnagyobb nyomása cikksz. 9010 = 3,5 bar, az összes nyomás = 6,0 bar

A termék hosszú ideig tartó működtetésre nem alkalmas (folyamatos keringtető üzem).



VESZÉLY! Személyi sérülés veszélye!

→ Tilos vele sósvizet, szennyezett vizet, maró, könnyen éghető vagy robbanásveszélyes anyagokat (pl. benzint, petróleumot, nitro-hígítót), olajokat, fűtőolajat és élelmiszert szivattyúzni.

1. BIZTONSÁGI ÚTMUTATÁSOK

FONTOS!

Olvassa el figyelmesen a használati utasítást, és őrizze meg gondosan, hogy később is fellelőzhesse.

Szimbólumok a terméken:



Olvassa el a használati utasítást.

Általános biztonsági útmutatások

Elektromos biztonság



VESZÉLY! Áramütés!

Az esetleges áramütés sérülés veszélyével fenyeget.

→ A terméket fel kell szerelni egy hibaáram-védőkapcsolóval (RCD), amelynél a névleges kioldóáram erőssége legfeljebb 30 mA.



VESZÉLY! Sérülésveszély!

Az esetleges áramütés sérülés veszélyével fenyeget.

→ Karbantartás vagy alkatrészcsere előtt válassza le a terméket a hálózatról. E műveletek végzése alatt a hálózati aljzatnak a látóterében kell maradnia.

Biztonságos üzemelés

A víz nem lehet melegebb 35 °C-nál.

A szivattyú mindaddig nem használható, amíg vannak a vízben.

A kilépő kenőanyagok adott esetben elszennyezhetik a folyadékot.

Védőkapcsoló

Hővédő kapcsoló:

Túlterhelés esetén a motor beépített hővédelme kikapcsolja a szivattyút. Miután a motor kellő mértékben lehűlt, a szivattyú újból készen áll az üzemelésre.

További biztonsági útmutatások

Elektromos biztonság



VESZÉLY! Szívleállás!

Ez a termék az üzemelés során elektromágneses mezőt hoz létre. Ez a mező bizonyos körülmények között hatással lehet az aktív és passzív orvosi implantátumok működési módjára. A súlyos vagy halálos kimenetelű sérülések elkerülése érdekében azt javasoljuk, hogy az orvosi implantátummal rendelkező személyek a termék használata előtt beszéljenek erről az orvosukkal, vagy az implantátum gyártójával.

Kábelek

Hosszabbító kábelek használata esetén azoknak meg kell felelniük a következő táblázatban feltüntetett minimális keresztmetszet értékeknek:

Feszültség	Kábelhossz	Keresztmetszet
230 – 240 V/50 Hz	20 m-ig	1,5 mm ²
230 – 240 V/50 Hz	20 – 50 m	2,5 mm ²



VESZÉLY! Áramütés!

Az esetleges áramütés sérülés veszélyével fenyeget.

→ Mielőtt üzemben kívül helyezné, karbantartaná vagy hibaelhárításba fogna, válassza le a terméket az elektromos hálózatról.

Követelmény, hogy a felállított szivattyú biztosan álljon, ne árasztassa el víz és ne eshessen bele a szivattyúzóvízbe. A szivattyú felállítási helye a szállított közegetől biztonságos távolságban (attól legalább 2 m-re) legyen. Jóváhagyott személyvédő kapcsoló képében egy további biztonsági szerkezet is használható.

→ Kérje villanyszerelő szakember tanácsát.

Ha megrongálódott a készülék hálózati csatlakozóvezetéke, azt a gyártóval vagy a Vevőszolgálatával, ill. szakemberrel kell kicseréltetni, nehogy veszélyhelyzet álljon elő.

A dugaszt és a csatlakozó vezetékét óvja a hőtől, olajtól és éles szegélyektől.

Kérjük, a szivattyút soha ne a vezetéknel fogva emelje fel és rántsa ki a konnektorból.

Óvja a szivattyút az esővíztől, ne használja nedves, vizes környezetben.

Rendszeresen ellenőrizze a csatlakozó vezetékét.

Használat előtt a szivattyút (különösen a hálózati vezetékét és dugaszt) vesse biztonsági ellenőrzés alá.

Sérült szivattyút nem szabad üzemeltetni. Sérülés esetén a szivattyút feltétlenül ellenőriztesse GARDENA szakszervizzel!

Ha a szivattyúinkat generátorral üzemelteti, meg kell fogadnia a generátor gyártója által adott óva intéseket.

Személyi biztonság



VESZÉLY! Fulladásveszély!

Az apróbb alkatrészek könnyen lenyelhetők. A nejlonzacskó miatt kisgyermeknek fulladás veszélye fenyeget. Szereléskor tartsa távol a kisgyermeket.

**VESZÉLY! A forró víz sérülés veszélyével fenyeget!**

Ha a szivattyút hosszabb, (több, mint 5 percig) zárt nyomóoldallal működtetjük, felforrósodhat a víz a szivattyúban és ez a forró víz sérüléseket okozhat.

→ A szivattyút zárt nyomóoldallal max. 5 percig működtessük.

Ha nem jut be víz a szívóoldalon, a szivattyúban található víz felforrósodhat, amelynek következtében a forró víz vízvezetékcsatlakozásakor sérüléseket okoz.

→ Zárja el a szivattyú folyadékellátását, várjon, amíg a víz lehül, majd az ismételt üzembe helyezés előtt ellenőrizze a szívóoldali vízáramlást.

A vízvezeték rendszere való csatlakoztatása esetén be kell tartani a helyi vízvezeték szerelési szabályokat, hogy a "nem-ivóvíz" visszaszivása ne forduljon elő.

→ Kérje vízvezeték-szerelő segítségét.

A szárazonfutás elkerülése érdekében ügyeljen mindig arra, hogy a szivócső a szállított folyadék szintje alatt legyen.

→ Használat előtt mindig töltsen színültig a szivattyút (kb. 2 – 3 l) szállítandó folyadékkal.

A szállítófolyadékban előforduló homok és más csiszolóanyag gyorsabb kopást és teljesítménycsökkenést okoz.

→ Homokot tartalmazó víznél használjon szivattyú-előszűrőt.

Szennyezett víz szállítása, pl. kövek, fenyőfatű, a szivattyú sérülését okozhatja.

→ Ne szivattyúzzunk szennyezett vizet!

2. SZERELÉS

**VESZÉLY! Személyi sérülés veszélye!**

Sérülésveszély áll fenn, ha a termék véletlenül beindul.

→ Mielőtt szerelni kezdené a terméket, válassza le az áramellátásról.

Szivattyú elhelyezése:

A szivattyút száraz, szilárd helyre állítsuk, ahol stabilan működhet.

→ A szivattyút a víztől biztonságos távolságban (attól legalább 2 m-re) állítsa fel.

A szivattyút alacsony pártartalmú és megfelelően szellőztetett helyiségben, a szellőzőnyílások közelében kell elhelyezni. A szivattyú és a fal között a távolság legyen legalább 5 cm. A szivattyú semmilyen szennyeződést (pl. homokot vagy földet) nem szívhat be szellőzőnyílásokon keresztül.

A műanyag csatlakozóelemeket a szívó- és nyomóoldalon csak kézzel szabad meghúzni.

Tömlő csatlakoztatása a szívóoldalon [ábra A1]:

A szívóoldalon ne használjon víztömlő csatlakozó rendszer elemeket!

→ A szívóoldalon vákuumálló szívótömlőt, pl. **GARDENA 1411 term. sz-ú szívógarnitúrát**, vagy **GARDENA 1729 term. sz-ú, vert kutakhoz használható szívótömlőt** használjon.

Az újra-felszívási idő csökkentése érdekében ajánlatos visszafolyás-gátlóval ellátott szívótömlőt használni, mely a szivattyú kikapcsolása után is megakadályozza a szívótömlő önmagától bekövetkező kiürülését.

1. Csavarja be a ② szivattyúcsatlakozó elemet az ① szívóoldali csatlakozóba.

2. Kösse össze a ③ vákuumálló szívótömlőt a ② csatlakozóelemmel, és csavarozza össze őket légzáró módon.

3. A 4 méternél nagyobb szívómagasság esetén még a ③ szívótömlőt is rögzítse (pl. facövekhez).

Ezáltal a szivattyút mentesíti a felszívott víz súlyától.

Tömlő csatlakoztatása a nyomásoldalon [ábra A2]:

A ④ szivattyúcsatlakozó 33,3 mm-es (G 1"-os) belső menettel van ellátva.

A GARDENA dugaszoló rendszerhez pl. GARDENA 1745 term. sz-ú szivattyúcsatlakozó elemre lesz szükség (a 9010 term. sz. esetében ez benne van a csomagban).

GARDENA csatlakozórendszerrel 19 mm (3/4")-/16 mm (5/8") és 13 mm (1/2") tömlőket lehet csatlakoztatni.

Tömlőátmérő	Szivattyú csatlakoztatása	
13 mm (1/2")	GARDENA Szivattyúcsatlakozó-készlet	cikksz. 1750
16 mm (5/8")	GARDENA Csapelem GARDENA Tömlőelem	cikksz. 18202 cikksz. 18216
19 mm (3/4")	GARDENA Szivattyúcsatlakozó-készlet	cikksz. 1752

A szivattyú szállítási teljesítményének optimális kihasználását 19 mm-es (3/4"-os) tömlők csatlakoztatásával, pl.

– **GARDENA 1752 term. sz-ú szivattyúcsatlakozó készlettel együtt**, vagy 25 mm-es (1"-os) tömlők csatlakoztatásával,

– **GARDENA 7115 term. sz-ú, külső menetes tömlővéges gyorscsatlakozóval/7103 term. sz-ú tömlővéges gyorscsatlakozóval együtt** lehet elérni.

1. **Csak 9014 sz-ú termék esetén:** a szivattyúcsatlakozó elem külső meneten használjon ⑥ tömítőszalagot.

2. Csavarja be a ② szivattyúcsatlakozó elemet a ④ nyomóoldali csatlakozóba (csak a 9010 sz-ú term.-nél van benne a csomagban).

3. Kösse össze az ⑤ nyomótömlőt a ② szivattyúcsatlakozó elemmel.

Ha egyszerre több tömlőt/csatlakozóeszközt csatlakoztat egymással párhuzamosan, ajánlatos

– **GARDENA 8193/8194 term. sz-ú 2- vagy 4-utas elosztókat, GARDENA 940 term. sz-ú 2-utas szelepet**

használni, amelyeket közvetlenül a ② szivattyúcsatlakozó elemre lehet rácsavarni.

3. KEZELÉS

**VESZÉLY! Személyi sérülés veszélye!**

Sérülésveszély áll fenn, ha a termék véletlenül beindul.

→ Csatlakoztatás, beállítás vagy szállítás előtt válassza le a terméket az áramellátásról.

Víz szivattyúzása [ábra O1/O2]:**FIGYELEM! Szivattyú szárazüzeme!**

→ Üzembe helyezés előtt töltsen színültig a szivattyút (kb. 2 – 5 l) vízzel.

1. Kézzel hajtja rá a ⑥ menetes csökötetést a ⑦ betöltőcsompra.

2. A ⑦ betöltőcsompon át töltsen színültig (kb. 2 – 5 l) vízzel.

3. Kézzel hajtja rá a ⑥ menetes csökötetést a ⑦ betöltőcsompra szorosan (ehhez ne használjon fogót).

4. Nyissa ki a nyomóvezetékben (csatlakozóeszközökben, vízelzárókban stb.) esetleg elhelyezett zárószelepeket.

5. Engedje ki az ⑤ nyomótömlőben maradt vizet, hogy a levegő kiszökessen a víz-felszívási művelet alatt.

6. Kösse össze a szivattyút az áramellátással.

7. Tartsa az ⑤ nyomótömlőt függőlegesen a szivattyú fölé attól min. 1 m magasságban, nyomja meg a ⑧ ki-/bekapcsolót, és várjon, amíg a szivattyú felszívja a vizet.

→ **Ha a szivattyú kb. 5 perc múlva sem szállít vizet, kapcsolja ki a szivattyút (nyomja meg a ⑧ ki-/bekapcsolót) (lásd a 6. HIBAELHÁRÍTÁS).**

A megadott 7 m-es maximális szívómagasságot a készülék csak akkor éri el, ha a szivattyút előzőleg a ⑦ betöltőcsompon át színültig tölti, és eközben, illetve az önfelszívás folyamata alatt az ⑤ nyomótömlőt olyan magasan tartja, hogy a szivattyúból ne folyhasson ki víz az ⑤ nyomótömlőn át.

Rozsdaképződés: A 9014 term. sz-ú szivattyú öntöttvas házzal rendelkezik. Néha előfordulhat, hogy vízzel való érintkezés után rozsdás képződik (ez nem károsítja a szivattyút, és nem is képezi a garancia részét). Ezért a bekapcsolás után kezdetben rozsdás víz léphet ki belőle.

4. KARBANTARTÁS

**VESZÉLY! Személyi sérülés veszélye!**

Sérülésveszély áll fenn, ha a termék véletlenül beindul.

→ Mielőtt karbantartásba fogna a terméken, válassza le az áramellátásról.

Szivattyú átöblítése:

Klórtartalmú víz szivattyúzása után át kell öblíteni a szivattyút.

1. Nyomjon át a szivattyún langymeleg (max. 35 °C-os) vizet, esetleg enyhe tisztítószert (pl. öblítőszert) hozzáadásával mindaddig, ameddig a szivattyúzott víz tiszta nem lesz.

2. Ártalmatlanítsa a maradványokat a hulladékkezelési törvény irányelvei szerint.

5. TÁROLÁS

Üzemen kívül helyezés [ábra S1]:

A szivattyú nem fagyálló!

A terméket gyermekektől elzárt helyen kell őrizni.

- Válassza le a szivattyút az áramforrásról.
- Esetleg zárja el az összes elzárószervezetet a szivóoldalon.
- Nyisson ki minden vételezési helyet.
A nyomóoldalon megszűnik a nyomás.
- Bontsa meg a ⑥ menetes csökötetést a ⑦ betöltőcsomponkon és a ⑨ víze-eresztő csavaron.
A szivattyú kiürül.
- Őrizze a szivattyút száraz, zárt és fagymentes helyen.

hu

6. HIBAEHÁRÍTÁS



VESZÉLY! Személyi sérülés veszélye!

Sérülésveszély áll fenn, ha a termék véletlenül beindul.

→ Válassza le a terméket a hálózatról, mielőtt nekifogna a termék hibájának elhárításához.

Járókerék meglazítása [ábra T1]:

A szennyeződésektől elakadt turbinalapát útját meg lehet tisztítani.

→ Csavarhúzóval forgassa meg a ⑩ járókerék tengelyét.

Ezzel az elakadt turbinalapát újra szabadon fut.

Probléma	Lehetséges oka	Megoldása
A szivattyúmotor jár, de nem szív fel folyadékot	Szivárog, sérült a szivóvezeték.	→ Vizsgálja meg a szivóvezeték épségét, és tömítse légzáró módon.
	Szivattyút nem töltötték fel vízzel.	→ Töltse fel a szivattyút (lásd a 3. KEZELÉS).
	A betöltött folyadék az önfelszívás alatt elszivárog a nyomóoldalon csatlakoztatott tömlőn keresztül.	→ 1. Töltse fel a szivattyút még egyszer (lásd a 3. KEZELÉS). 2. A szivattyú ismételt üzembe helyezésekor tartsa a nyomótömlőt függőlegesen a szivattyú fölé attól min. 1 m magasságban, amíg a szivattyú felszívja a vizet.
	Teljesen vákuumálló csatlakozást érhet el a GARDENA szivótömlők használatával (lásd a 8. TARTOZÉKOK).	
	A betöltő nyílás csavartömítése ereszt.	→ Vizsgálja meg a tömítést (esetleg cserélje le), és szorítsa meg a csavarkötést (ehhez ne használjon fogót).
	A levegő nem tud távozni, mert a nyomóoldal zárt, vagy víz maradt a nyomócsőben.	→ Nyissa ki a nyomóvezetékben lévő zárószerveket (pl. szórófejet), ill. ürítse ki a nyomótömlőt.
	Nem tartotta be a várakozási időt.	→ Kapcsolja be a szivattyút, és várjon maximum 5 percet.
	A szivósűrő, vagy a visszafolyás-gátló eltömődött a szivócsőben.	→ Tisztítsa meg a szűrőt, ill. a visszafolyásgátlót.
	Túl nagy szívómagasság.	→ Csökkentse le a szívómagasságot.
	Egyéb felszívási probléma felmerülésekor használja a GARDENA szivótömlőt visszafolyásgátlóval, (lásd 8. TARTOZÉKOK) és üzembe helyezés előtt töltsen színtöltő a szivattyút a betöltőnyíláson át a szállítandó folyadékkal.	
A szivattyú nem indul el vagy üzemelés közben hirtelen megáll	A hővédő kapcsoló túlmelegedés miatt lekapcsolta a szivattyút.	→ Ügyeljen arra, hogy a közeg hőmérséklete ne legyen nagyobb (35 °C-nál).
	Szivattyú nem kap áramot.	→ Vizsgálja meg a biztosítékokat és az elektromos dugaszoló csatlakozásokat.
	A HÁV kapcsoló kioldott (hibaáram).	→ Válassza le a szivattyút az áramellátásról, és forduljon a GARDENA szervizhez.
	Szivattyú nincs bekapcsolva.	→ Nyomja Be állásba a ki-/bekapcsolót.

Probléma	Lehetséges oka	Megoldása
A szivattyú üzemel, de a szállítási teljesítmény hirtelen visszaesik	Szivótömlő vége nincs benne a vízben. A szivósűrő vagy a visszafolyást gátló szelep eldugult. Tömítetlenség a szivóoldalon. A turbina eltömődött.	→ Merítse mélyebbre a szivótömlő végét a vízben. → Tisztítsa meg a szivósűrőt, ill. a visszafolyásgátlót. → Szüntesse meg a tömítetlenséget. → Lazítsa meg a járókereket.
Zajképződés a hidraulikus egységben	Nagy átfolyásoknál (pl. nyitott tömlőkimenet, csatlakozó készülék nélkül) a szivattyú hidraulika részében zaj keletkezhet. Emiatt nem kell aggódni, nem tesz kárt a szivattyúban. A zajt az átfolyás kisebb változtatásával (pl. az egyik csatlakozó készüléket kissé nyitva/zárva) meg lehet szüntetni.	



ÚTMUTATÁS: Egyéb üzemzavarok esetén forduljon a GARDENA területileg illetékes szervizközpontjához. Javításokat csak a GARDENA szervizközpontokkal, valamint a GARDENA szerződött szakkereskedőivel szabad végezni.

7. MŰSZAKI ADATOK

Kerti szivattyú	Egység	Érték (cikksz. 9010)	Érték (cikksz. 9014)
Névleges teljesítmény	W	600	800
Hálózati feszültség	V (AC)	230	230
Hálózati frekvencia	Hz	50	50
Max. szállítási mennyiség	l/h	3000	3700
Max. nyomás/Max. szállítási magasság	bar / m	3,5 / 35	4,1 / 41
Max. önfelszívó magasság	m	7	7
Megengedett belső nyomás (nyomóoldalon)	bar	6	6
Csatlakozókábel	m	1,5 (H07RN-F)	1,5 (H07RN-F)
Tömeg	kg	5,3	8,2
Hangteljesítmény szint L_{WA}¹⁾ mért/garantált Bizonytalanság k_{WA}²⁾	dB(A)	77 / 80 / 3	77 / 80 / 2,36
Max. vízhőmérséklet	°C	35	35
Mérési eljárás: ¹⁾ RL 2000/14/EU ²⁾ ISO 4871			

8. TARTOZÉKOK/PÓTALKATRÉSZEK

GARDENA szivótömlők	Megtörésnek és vákuumnak ellenálló, választás szerint kapható méterben a 1720/1721 cikksz. (19 mm (3/4")- /25 mm (1")) csatlakozó szerelvények nélkül vagy fix hosszúságban a 1411/1418 cikksz., kompletten, csatlakozó szerelvényekkel együtt.	
GARDENA szivótömlő csatlakozóelem	Szivóoldali csatlakozáshoz.	cikksz. 1723/1724
GARDENA szivattyú csatlakozóelem	Nyomóoldali csatlakozáshoz.	cikksz. 1750/1752
GARDENA szivósűrő visszafolyás-gátlóval	A szivótömlő-méteráru felszereléséhez.	cikksz. 1726/1727/1728
GARDENA szivattyú előszűrő	Különösen ajánlott homoktartalmú közegek szűrésére.	cikksz. 1730/1731
GARDENA elektronikus nyomáskapcsoló	Az üzemi nyomás függvényében automatikusan ki ill. bekapcsolja a szivattyút. Szárazüzem elleni biztosítókkal.	cikksz. 1739
GARDENA szivótömlő vert kutakhoz	A szivattyú vákuumálló csatlakoztatásához, vert kutakhoz, merev csövekhez. 0,5 m hosszú. Mindkét végén 33,3 mm-es (1") belső menettel.	cikksz. 1729
GARDENA űszótömlős leszívó szerkezet	A víznek vízfelszín alatti koszmentes felszívására szolgál.	cikksz. 1417
GARDENA szivattyú-csatlakozó elem	A GARDENA dugaszoló rendszer nyomóoldali csatlakoztatásához.	cikksz. 1745

9. GARANCIA/SZERVIZ

9.1 Termékgisztráció:

Regisztrálja termékét a gardena.com/registration oldalon.

9.2 Szervíz:

A szervizek aktuális elérhetőségeit a hátoldalon és a weboldalon tekintheti meg:

- Magyarország:
<https://www.gardena.com/hu/tamogatas/tanacsadas/kapcsolat/>

10. ÁRTALMATLANÍTÁS

10.1 A szivattyú ártalmatlanítása:

(a 2012/19/EU sz. jelű irányelv szerint)



Nem szabad a terméket a normál háztartási hulladékkal együtt kidobni. A hatályos helyi környezetvédelmi előírásoknak megfelelően kell ártalmatlanítani.

FONTOS!

→ Adja le a terméket a helyi újrahasznosító gyűjtőhelyen, vagy bízza rájuk az ártalmatlanítását.

cs Zahradní čerpadlo

1. BEZPEČNOSTNÍ POKYNY	13
2. MONTÁŽ	14
3. OBSLUHA	14
4. ÚDRŽBA	14
5. SKLADOVÁNÍ	15
6. ODSTRANOVÁNÍ CHYB	15
7. TECHNICKÁ DATA	15
8. PŘÍSLUŠENSTVÍ/NÁHRADNÍ DÍLY	15
9. ZÁRUKA/SERVIS	15
10. LIKVIDACE	16

Překlad originálních pokynů.



Tento produkt mohou používat děti od věku 8 let a osoby se sníženými fyzickými, smyslovými nebo mentálními schopnostmi nebo nedostatkem zkušeností a znalostí, pokud jsou pod dohledem nebo byly ohledně bezpečného používání přístroje zaškoleny a rozumí tomu, jaké nebezpečí z toho vyplývá. Děti si s produktem nesmějí hrát. Čištění a uživatelskou údržbu nesmí provádět děti bez dohledu. Doporučujeme, aby produkt používali mladiství až od 16 let. Produkt nikdy nepoužívejte, pokud jste unavení nebo nemocní nebo pod vlivem drog, alkoholu nebo léků.

Využití odpovídající určenému účelu:

Zahradní čerpadlo GARDENA je určeno k čerpání podzemních a dešťových vod, vody z vodovodu a vody obsahující chlór na domovních a hobby zahradách.

Čerpané kapaliny:

Pomocí zahradního čerpadla GARDENA se smí čerpat pouze voda.

Při použití čerpadla pro zesílení tlaku nesmí být překročen maximální přípustný tlak v čerpadle 6 bar (na tlakové straně). Tlak na výstupu a tlak čerpadla se počítají.

- **Příklad:** Tlak na vodním kohoutu = 2,5 bar, max. tlak zahradního čerpadla č.v. 9010 = 3,5 bar, celkový tlak = 6,0 bar.

Produkt není vhodný pro dlouhodobý provoz (trvalý cirkulační provoz).



NEBEZPEČÍ! Poranění!

→ Nesmí se přečerpávat slaná voda, špinavá voda, leptavé, snadno zápalné nebo explozivní látky (např. benzín, petrolej, nitro ředidlo), oleje, topný olej a potraviny.

1. BEZPEČNOSTNÍ POKYNY

DŮLEŽITÉ!

Přečtěte pečlivě tento návod na použití a uchovejte ho pro opětovné přečtení.

Symbole na produktu:



Přečtěte si návod na provoz.

Obecné bezpečnostní pokyny

Elektrická bezpečnost



NEBEZPEČÍ! Úraz elektrickým proudem!

Nebezpečí poranění elektrickým proudem.

→ Produkt musí být elektricky napájen přes FI-spínač (RCD) se jmenovitým vypínacím proudem maximálně 30 mA.



NEBEZPEČÍ! Nebezpečí poranění!

Nebezpečí poranění elektrickým proudem.

→ Než začnete s údržbou nebo než budete vyměňovat díly, odpojte produkt od sítě. Přitom musí být pro Vás zásuvka viditelná.

Bezpečný provoz

Teplota vody nesmí překročit 35 °C.

Čerpadlo nesmí být použito, pokud se ve vodě nacházejí osoby.

Může dojít ke znečištění kapaliny v důsledku výstupu mazacích látek.

Ochranný spínač

Teplotní ochranný spínač:

Při přetížení je čerpadlo vypnuto vestavěnou tepelnou ochranou motoru.

Po dostatečném ochlazení motoru je čerpadlo opět připraveno k provozu.

Dodatečné bezpečnostní pokyny

Elektrická bezpečnost



NEBEZPEČÍ! Zástava srdce!

Tento produkt vytváří za provozu elektromagnetické pole. Toto pole může za určitých podmínek působit na funkci aktivních nebo pasivních lékařských implantátů. Aby se vyloučily nebezpečné situace, které by mohly vést k těžkým nebo smrtelným poraněním, měly by osoby s lékařským implantátem před použitím produktu konzultovat svého lékaře a výrobce implantátu.

Kabely

Při použití prodlužovacího kabelu musí jeho minimální průřez odpovídat následující tabulce:

Napětí	Délka kabelu	Průřez
230 – 240 V/50 Hz	Do 20 m	1,5 mm ²
230 – 240 V/50 Hz	20 – 50 m	2,5 mm ²



NEBEZPEČÍ! Úraz elektrickým proudem!

Nebezpečí poranění elektrickým proudem.

→ Než začnete produkt vyřazovat z provozu, provádět na něm údržbu nebo odstraňovat chyby, odpojte produkt od sítě.

Čerpadlo musí být instalováno stabilně, zabezpečené proti zaplavení a chráněné proti spadnutí. Čerpadlo instalovat v bezpečném odstupu (min. 2 m) vzhledem k čerpanému médiu. Jako dodatečné zabezpečení lze použít certifikovaný osobní ochranný spínač.

→ Zeptejte se, prosím, elektrikáře.

Pokud se u tohoto přístroje poškodí síťové přírodní vedení, musí být vyměněno výrobcem nebo jeho servisem nebo podobně kvalifikovanou osobou, aby se vyloučilo ohrožení elektrickým proudem.

Zástrčku a síťový kabel chraňte před horkem, olejem a ostrými hranami.

Nenoste čerpadlo za kabel a nepoužívejte kabel k tomu, abyste vytáhli zástrčku z elektrické zásuvky.

Nepoužívejte čerpadlo za deště, ani ho nepoužívejte ve vlhkém nebo mokřem prostředí.

Pravidelně kontrolujte přírodní vedení.

Před použitím čerpadla zkontrolujte pohledem, zda není poškozené (hlavně kabel a zástrčku).

Poškozené čerpadlo nikdy nepoužívejte. Čerpadlo v případě poškození bezpodmínečně nechejte zkontrolovat v servisu firmy GARDENA.

Při využití našich čerpadel s generátorem je třeba dbát výstražných pokynů výrobce generátoru.

Osobní bezpečnost



NEBEZPEČÍ! Nebezpečí udušení!

Menší díly mohou být snadno spolknuty. Při použití polyetylékových sáčků hrozí malým dětem nebezpečí udušení. Děti se musí během montáže zdržovat v dostatečné vzdálenosti.



NEBEZPEČÍ! Nebezpečí poranění horkou vodou!

Při delším provozu (> 5 min.) při zavřené výtlačné straně, se může voda v čerpadle zahřát, čímž by mohlo dojít k opaření horkou vodou.

→ Čerpadlo nenechávejte běžet déle než 5 minut při uzavřené výtlačné straně.

Při chybějícím přívodu vody na sací straně se může voda v čerpadle ohřát, což by mohlo na výstupu vést k úrazu horkou vodou.

→ Odpojte čerpadlo od elektrické sítě, počkejte, až se voda ochladí a před znovuvvedením do provozu zajistěte přívod vody na sací straně.

Při napojení čerpadla na vodovodní potrubí musí být dodrženy specifické národní sanitární předpisy, aby se zabránilo zpětnému nasátí nepitné vody.

→ Zeptejte se, prosím, sanitárního odborníka.

Abyste u čerpadla zabránili chodu nasucho, dbejte na to, aby se konec sací hadice vždy nacházel v čerpaném médiu.

→ Před každým použitím naplňte čerpadlo čerpanou tekutinou až do přeplnění (cca 2 až 3 l)!

Písek a jiné abrazivní látky v dopravované kapalině vedou k rychlému opotřebení a snížení výkonu čerpadla.

→ V případě, že voda obsahuje písek, je třeba použít před čerpadlem předřazený filtr.

Čerpání znečištěné vody, např. s kamínky, jedlovým jehličím, může vést k poškození čerpadla.

→ Nečerpejte znečištěnou vodu.

2. MONTÁŽ



NEBEZPEČÍ! Poranění!

Nebezpečí poranění při neúmyslném spuštění produktu.

→ Než začnete produkt montovat, oddělte ho od elektrického napájení.

Umístění čerpadla:

Místo, na kterém bude čerpadlo umístěno, musí být pevné a suché a musí umožnit čerpadlu bezpečné stání.

→ Čerpadlo instalovat v bezpečném odstupu (min. 2 m) vzhledem k vodě.

Čerpadlo je třeba umístit na místo s dostatečnou vlhkostí vzduchu a dostatečným větráním do oblasti větrací šterbiny. Vzdálenost od stěn musí být minimálně 5 cm. Přes větrací šterbinu nesmí být nasávány žádné nečistoty (např. písek nebo zemina).

Plastové přípojovací díly na sací a výtlačné straně smí být dotahovány pouze rukou.

Připojení hadice na sací straně [obr. A1]:

Na sací straně nepoužívejte žádné zástrčné systémové díly pro vodní hadice!

→ Na sací straně využijte sací hadici odolnou vakuu, např. **GARDENA sací sadu č.v. 1411** nebo **GARDENA sací hadici pro kopané studny č.v. 1729**.

Pro zkrácení času opětovného nasátí doporučujeme využití sací hadice se zpětnou klapkou, který zabraňuje samovolnému vyprázdnění hadice po vypnutí čerpadla.

1. Zašroubujte přípojku pro čerpadla ② do přípoje na sací straně ①.
2. Spojte sací hadici ③ odolnou vakuu s příjoukou pro čerpadla ② a vzduchotěsně ji přišroubujte.
3. Při sacích výškách větších než 4 m: Sací hadici ③ dodatečně upevněte (např. k dřevěnému kůlu).

Čerpadlo se tak odlehčí od hmotnosti sací hadice.

Připojení hadice na výtlačné straně [obr. A2]:

Přípoj čerpadla ④ je vybaven vnitřním závitem 33,3 mm (G 1").

Pro spojovací systém GARDENA je nutná přípojka pro čerpadla č.v. 1745 (u č.v. 9010 je součástí dodávky).

Pomocí GARDENA zastřešeného systému se mohou připojit hadice 19 mm (3/4")/16 mm (5/8") a 13 mm (1/2").

Průměr hadice	Přípojka čerpadla
13 mm (1/2")	GARDENA Přípoj. sada pro čerpadla č.v. 1750

Průměr hadice	Přípojka čerpadla	č.v.
16 mm (5/8")	GARDENA Šroubem	18202
	GARDENA Rychlospojka	18216
19 mm (3/4")	GARDENA Přípoj. sada pro čerpadla	1752

Optimálního využití čerpacího výkonu se dosáhne připojením hadic 19 mm (3/4") ve spojení s např.

– přípojovací sadou pro čerpadla GARDENA č.v. 1752,

nebo hadic 25 mm (1") se

– závitovou rychlospojku GARDENA s vnějším závitem č.v. 7115 / rychlospojku s hadicovým nástavcem č.v. 7103.

1. **Jen pro č.v. 9014:** Na vnější závit přípojky pro čerpadlo využijte těsnící pásku ⑤.
2. Zašroubujte přípojku pro čerpadlo ② do přípoje na výtlačné straně ④ (Jen u č.v. 9010 je součástí dodávky).
3. Spojte tlakovou hadici ⑤ s příjoukou pro čerpadla ②.

Při paralelním připojení více než jedné hadice/spotřebiče doporučujeme využití

– 2- nebo 4-cestného rozdělovače GARDENA č.v. 8193/8194, 2-cestného ventilu GARDENA č.v. 940

které mohou být našroubovány přímo na přípojku pro čerpadla ②.

3. OBSLUHA



NEBEZPEČÍ! Poranění!

Nebezpečí poranění při neúmyslném spuštění produktu.

→ Než začnete produkt připojovat, nastavovat nebo transportovat, oddělte ho od elektrického napájení.

Čerpání vody [obr. O1/O2]:



POZOR! Chod nasucho!

→ Vždy před uvedením do provozu naplňte čerpadlo vodou až po přepad (asi 2 až 5 l).

1. Našroubujte šroubení ⑥ rukou na plnicí hrdlo ⑦.
 2. Naplňte vodou přes plnicí hrdlo ⑦ až po přepad (asi 2 až 5 l).
 3. Přišroubujte šroubení ⑥ rukou na plnicí hrdlo ⑦ (nepoužívat žádné kleště).
 4. Otevřete uzavírací ventily eventuálně použité v tlakovém vedení (spotřebiče, vodní uzávěry, atd.).
 5. Vypusťte zbytek vody v tlakové hadici ⑤, aby mohl při procesu nasávání vzduch uniknout.
 6. Připojte čerpadlo k elektrickému napájení.
 7. Přidrže tlakovou hadici ⑤ min. 1 m visle nahoře nad čerpadlem, stlačte vypínač ⑧ a počkejte, až čerpadlo nasaje.
- Pokud čerpadlo po asi 5 minutách nečerpá žádnou vodu, čerpadlo vypněte (stlačit vypínač ⑧) (press On/Off switch ⑧) (viz 6. ODSTRANOVÁNÍ CHYB).

Udanou maximální sací výšku 7 m lze dosáhnout jen tehdy, pokud je čerpadlo naplněno plnicím hrdlem ⑦ až po přepad, a tlaková hadice ⑤ je přítom a během procesu nasávání přidržena nahoře tak, že voda nemůže tlakovou hadicí ⑤ z čerpadla uniknout.

Rezavění: Čerpadlo č.v. 9014 je vybaveno litinovým tělesem. Po kontaktu s vodou dojde proto ke korozi (to čerpadlo nepoškozuje a není to součástí záruky). Proto může po zapnutí vytékat zpočátku rezavá voda.

4. ÚDRŽBA



NEBEZPEČÍ! Poranění!

Nebezpečí poranění při neúmyslném spuštění produktu.

→ Než začnete na produktu provádět údržbu, oddělte ho od elektrického napájení.

Propláchnutí čerpadla:

Po čerpání vody s obsahem chloru musí být čerpadlo vypláchnuto.

1. Čerpejte vlažnou vodu (max. 35 °C) eventuálně vodu s přísadou jemného čistícího prostředku (např. mycího prostředku) tak dlouho, až je čerpaná voda čirá.
2. Zbytky odstraňte podle směrnic zákona na odstranění odpadů.

5. SKLADOVÁNÍ

Vyřazení z provozu [obr. S1]:

Čerpadlo není odolné mrazu!

Produkt musí být uchováván mimo dosah dětí.

1. Odpojte čerpadlo od elektrického napájení.
2. Případně uzavřete všechny uzávěry na sací straně.
3. Otevřete všechna odběrová místa.
Výtlačná strana je bez tlaku.
4. Otevřete šroubení ⑥ na plnicím hrdle ⑦ a šroub na vypouštění vody ⑨.
Čerpadlo se vyprázdní.
5. Čerpadlo skladujte na suchém, uzavřeném místě, chráněném proti mrazu.

6. ODSTRAŇOVÁNÍ CHYB



NEBEZPEČÍ! Poranění!

Nebezpečí poranění při neúmyslném spuštění produktu.

→ Než začnete odstraňovat chyby produktu, odpojte produkt od elektrického napájení.

Uvolnění oběžného kola [obr. T1]:

Oběžné kolo, které je kvůli nečistotám pevné, je možné povolit.

→ Pomocí šroubováku otáčejte hřídelem oběžného kola ⑩.

Tím se povolí pevné oběžné kolo.

Problém	Možná příčina	Náprava
Čerpadlo běží, ale nenásává	Netěsné resp. poškozené sací vedení.	→ Zkontrolujte, zda není poškozeno sací vedení, a vzduchotěsně ho utěsněte.
	Čerpadlo nebylo naplněno vodou..	→ Čerpadlo naplníte (viz 3. OBSLUHA).
	Naplněná čerpaná kapalina uniká při samonasávání přes připojenou hadici na výtlačné straně.	→ 1. Naplníte čerpadlo ještě jednou (viz 3. OBSLUHA). 2. Při opakovaném uvádění čerpadla do provozu držte tlakovou hadici asi 1 m svisle nahoru nad čerpadlem tak dlouho, až čerpadlo nasaje.
	Absolutní vakuové spojení docílíte použitím GARDENA sacích hadic (viz 8. PŘÍSLUŠENSTVÍ).	
	Zátka na plnicím otvoru netěsní.	→ Zkontrolujte těsnění (případně ho vyměňte) a dotáhněte šroubení (nepoužívejte žádné kleště).
	Vzduch nemůže unikát, protože je uzavřená výtlačná strana resp. ve výtlačné hadici jsou zbytky vody.	→ Otevřete uzavírací ventily použité v tlakovém vedení (např. postřikovač), resp. vyprázdněte tlakovou hadici.
	Nebyla dodržena čekací doba.	→ Zapněte čerpadlo a počkejte až 5 minut.
Čerpadlo nenaskočí nebo zůstává během provozu stát	Ucpáný sací filtr nebo zpětná klapka v sací hadici.	→ Vyčistěte filtr, resp. zpětnou klapku.
	Příliš velká sací výška.	→ Změňte sací výšku.
	V případě jiných problémů s nasáváním použijte GARDENA sací hadice se zpětnou klapkou (viz 8. PŘÍSLUŠENSTVÍ) a před uvedením do provozu naplníte čerpadlo přes plnicí otvor čerpanou kapalinou.	
	Čerpadlo bez elektrického napájení.	→ Dbejte maximální teploty média (35 °C).
Čerpadlo běží, ale čerpací výkon náhle poklesne	Zareagoval RCD-spínač (chybový proud).	→ Zkontrolujte pojistky a elektrické konektorové spoje.
	Čerpadlo není zapnuto.	→ Odpojte čerpadlo od elektrického napájení a obraťte se na servis GARDENA.
	Čerpadlo není zapnuto.	→ Stlačte vypínač na zapnuto.
Čerpadlo běží, ale čerpací výkon náhle poklesne	Konec sací hadice není ve vodě.	→ Ponořte konec sací hadice hlouběji do vody.

Problém	Možná příčina	Náprava
Čerpadlo běží, ale čerpací výkon náhle poklesne	Sací filtr nebo zpětná klapka ucpány.	→ Vyčistěte sací filtr, resp. zpětnou klapku.
	Netěsnost na sací straně.	→ Odstraňte netěsnost.
	Zablokované oběžné kolo.	→ Uvolněte oběžné kolo.

Hluk z hydraulické oblasti Při velkých průtocích (např. otevřený výstup z hadice, bez připojeného spotřebiče) může vznikat v hydraulické části čerpadla hluk. To neznamená žádnou závadu a čerpadlo tím není poškožováno. Hluk lze odstranit nepatrnou změnou průtoku (např. malým otevřením/uzavřením připojeného spotřebiče).



POZNÁMKA: V případě jiných poruch se prosím obraťte na Vaše servisní centrum GARDENA. Opravy smí provádět pouze servisní centra GARDENA a odborní prodejci, kteří jsou firmou GARDENA autorizováni.

7. TECHNICKÁ DATA

Zahradní čerpadlo	Jednotka	Hodnota (č.v. 9010)	Hodnota (č.v. 9014)
Jmenovitý výkon	W	600	800
Síťové napětí	V (AC)	230	230
Síťová frekvence	Hz	50	50
Max. čerpací množství	l/h	3000	3700
Max. tlak / max. čerpací výška	bar / m	3,5 / 35	4,1 / 41
Max. samonasávací výška	m	7	7
Připustný vnitřní tlak (na výtlačné straně)	bar	6	6
Přípojný kabel	m	1,5 (H07RN-F)	1,5 (H07RN-F)
Hmotnost	kg	5,3	8,2
Hladina akustického výkonu $L_{wa}^{(1)}$ naměřená / zaručená	dB(A)	77 / 80	77 / 80
Nejistota $k_{wa}^{(2)}$		3	2,36
Max. teplota čerpaného média	°C	35	35

Metoda měření podle: ¹⁾ RL 2000/14/EU ²⁾ ISO 4871

8. PŘÍSLUŠENSTVÍ/NÁHRADNÍ DÍLY

GARDENA sací hadice	Odolné vůči zlomení a vakuu, lze dodat jako metrové zboží č.v. 1720/1721 (19 mm (3/4")- / 25 mm (1") bez přípojovacích armatur nebo v pevné délce č.v. 1411/1418 kompletně s přípojovacími armaturami.	
GARDENA Přípojka pro sací hadici	K sacímú přípoji.	č.v. 1723/1724
GARDENA Přípojovací sada pro čerpadla	K výtlačnému přípoji.	č.v. 1750/1752
GARDENA Sací filtr se zpětnou klapkou	K připojení na sací hadici v metrži.	č.v. 1726/1727/1728
GARDENA Předfiltr pro čerpadla	Obzvláště se doporučuje při čerpání médií s obsahem písku.	č.v. 1730/1731
GARDENA Elektronický tlakový spínač	Automaticky zapíná a vypíná čerpadlo v závislosti na spotřebě vody. S pojistkou chodu nasucho.	č.v. 1739
GARDENA Sací hadice pro kopané studny	K vakuově pevnému připojení čerpadla na kopané studny nebo pevné potrubí. Délka 0,5 m. S oboustranným vnitřním závitem 33,3 mm (G 1).	č.v. 1729
GARDENA Plovoucí odsávání	Pro odsávání bez nečistot pod hladinou vody.	č.v. 1417
GARDENA Přípojovací díl čerpadla	Pro připojení spojovacího systému GARDENA na tlakové straně.	č.v. 1745

9. ZÁRUKA/SERVIS

9.1 Registrace výrobku:

Zaregistrujte svůj výrobek na adrese gardena.com/registration.

9.2 Servis:

Aktuální kontaktní informace pro náš servis naleznete na zadní straně a online:

- Česká republika:
<https://www.gardena.com/cz/podpora/podpora/kontakt/>

10. LIKVIDACE

10.1 Likvidace čerpadla:

(podle směrnice 2012/19/EU)



Produkt nesmí být likvidován spolu s běžným domácím odpadem. Musí být likvidován podle platných místních ekologických předpisů.

DŮLEŽITÉ!

→ Likvidujte produkt prostřednictvím Vašeho místního recyklačního sběrného místa.

sk Záhradné čerpadlo

1. BEZPEČNOSTNÉ UPOZORNENIA	16
2. MONTÁŽ	17
3. OBSLUHA	17
4. ÚDRŽBA	17
5. SKLADOVANIE	17
6. ODSTRANOVANIE PORÚCH	18
7. TECHNICKÉ ÚDAJE	18
8. PRÍSLUŠENSTVO/NÁHRADNÉ DIELY	18
9. ZÁRUKA/SERVIS	18
10. LIKVIDÁCIA	18

Preklad originálneho návodu na obsluhu.



Tento výrobok môžu používať deti staršie ako 8 rokov, ako aj osoby so zníženými fyzickými, zmyslovými alebo mentálnymi schopnosťami alebo nedostatkom skúseností a vedomostí, ak sú pod dohľadom alebo boli o bezpečnom používaní zariadenia poučené a pochopili z toho vyplývajúce nebezpečenstvá. Deti sa s výrobkom nesmú hrať. Deti nesmú vykonávať čistenie a bežnú údržbu bez dohľadu. Obsluhu tohto výrobku odporúčame zveriť mladistvým až od veku 16 rokov. Nepoužívajte výrobok vtedy, ak ste unavený, chorý alebo pod vplyvom alkoholu, drog alebo liekov.

Určené použitie:

GARDENA Záhradné čerpadlo je určené na čerpanie podzemnej a dažďovej vody, vody z vodovodu a vody obsahujúcej chlór v súkromnej záhradke.

Dopravované kvapaliny:

GARDENA záhradným čerpadlom sa smie čerpať iba voda.

Pri používaní čerpadla na zvýšenie tlaku nesmie prekročiť maximálne povolený vnútorný tlak hodnotu 6 bar (na strane tlaku). Tlak na výstupe a tlak čerpadla sa sčítajú.

- **Príklad:** Tlak na vodnom kohútiku = 2,5 bar,
max. tlak záhradného čerpadla č.v. 9010 = 3,5 bar,
celkový tlak = 6,0 bar.

Výrobok nie je určený na dlhodobú prevádzku (prevádzka s nepretržitým oběhom).



NEBEZPEČENSTVO! Ublíženie na zdraví!

→ Čerpať sa nesmie slaná voda, znečistená voda, žieravé, ľahko horľavé alebo výbušné látky (napr. benzín, petrolej, nitrordidlá, oleje, vykurovací olej a potraviny).

1. BEZPEČNOSTNÉ UPOZORNENIA

DŮLEŽITÉ!

Prečítajte si starostlivo návod na obsluhu a uschovajte ho pre ďalšie použitie.

Symbyly na výrobku:



Prečítajte si návod na obsluhu.

Všeobecné bezpečnostné upozornenia

Elektrická bezpečnosť



NEBEZPEČENSTVO! Zásah elektrickým prúdom!

Nebezpečenstvo zranenia zásahom elektrického prúdu.

→ Napájanie výrobku elektrickým prúdom musí byť vybavené prúdovým chráničom (RCD) s menovitým spúšťacím prúdom minimálne 30 mA.



NEBEZPEČENSTVO! Nebezpečenstvo poranenia!

Nebezpečenstvo zranenia zásahom elektrického prúdu.

→ Predtým než budete vykonávať údržbu alebo vymieňať diely, odpojte výrobok od siete. Preto sa musí zásuvka nachádzať vo Vašom zornom poli.

Bezpečná prevádzka

Teplota vody nesmie prekročiť hodnotu 35 °C.

Čerpadlo sa nesmie používať, pokiaľ sa vo vode nachádzajú osoby.

Únikom mazív by mohlo dôjsť k znečisteniu kvapalín.

Ochranný vypínač

Tepelný ochranný spínač:

Vstavaná tepelná ochrana motora vypne pri preťažení čerpadlo. Po dostatočnom vychladnutí motora je čerpadlo opäť pripravené na prevádzku.

Dodatočné bezpečnostné upozornenia

Elektrická bezpečnosť



NEBEZPEČENSTVO! Zástava srdca!

Tento výrobok vytvára počas prevádzky elektromagnetické pole. Toto pole môže mať za určitých podmienok vplyv na činnosť aktívnych alebo pasívnych medicínskych implantátov. Aby sa eliminovali nebezpečné situácie, ktoré by mohli viesť k ťažkým alebo smrteľným zraneniam, mali by osoby s medicínskym implantátom použitie tohto výrobku konzultovať so svojim lekárom alebo s výrobcem implantátu.

Kábel

Pri použití predlžovacieho kábla musí jeho minimálny prierez zodpovedať nasledujúcej tabuľke:

Napätie	Dĺžka kábla	Prierez
230 – 240 V/50 Hz	Až do 20 m	1,5 mm ²
230 – 240 V/50 Hz	20 – 50 m	2,5 mm ²



NEBEZPEČENSTVO! Zásah elektrickým prúdom!

Nebezpečenstvo zranenia zásahom elektrického prúdu.

→ Pred vyradením výrobku z prevádzky, údržbou alebo odstraňovaním chyby ho odpojte od siete.

Čerpadlo musí byť inštalované stabilne a zabezpečené proti zaplaveniu a chránené proti spadnutiu do vody. Čerpadlo inštalujte v bezpečnej vzdialenosti (min. 2 m) k dopravovanému médiu. Ako prídavné bezpečnostné zariadenie sa môže použiť povolený osobný ochranný vypínač.

→ Spýtajte sa, prosím, elektrikára.

Pre zamedzenie nebezpečenstva musí výmenu sieťového kábla tohto prístroja v prípade jeho poškodenia urobiť výrobca alebo jeho zákaznícky servis alebo podobná kvalifikovaná osoba.

Zástrčku a sieťový kábel chráňte pred horkom, olejom a ostrými hranami.

Nenoste čerpadlo za kábel a nepoužívajte kábel na to, aby ste vytiahli zástrčku z elektrickej zásuvky.

Nepoužívajte čerpadlo za dažďa, ani ho nepoužívajte vo vlhkom alebo mokrom prostredí.

Prípojnité vedenie kontrolujte pravidelne.

Pred použitím čerpadla skontrolujte pohľadom, či nie je poškodené (hlavne kábel a zástrčku).

Poškodené čerpadlo nikdy nepoužívajte. Čerpadlo v prípade poškodenia bezpodmienečne nechajte skontrolovať v servise firmy GARDENA.

Pri použití našich čerpadiel s generátormi sa musia rešpektovať výstražné upozornenia výrobcu generátora.

Osobná bezpečnosť



NEBEZPEČENSTVO! Nebezpečenstvo zadusenía!

Menšie diely je možné ľahko prehltnúť. Obaly z umelých hmôt predstavujú pre malé deti nebezpečenstvo zadusenía. Pri montáži držte malé deti v dostatočnej vzdialenosti.



NEBEZPEČENSTVO! Nebezpečenstvo zranenia horúcou vodou!

Pri dlhšej prevádzke (> 5 min.) pri zatvorenej výtláčnej strane, sa môže voda v čerpadle zahriať, čím by mohlo dôjsť k obnaru horúcou vodou.

→ Čerpadlo nenechajte bežať dlhšie ako 5 minút pri uzatvorenej výtlačnej strane.

Pri chýbajúcom prívode vody na sacej strane sa môže voda v čerpadle ohriať, čo by mohlo na výstupe viesť k úrazu horúcou vodou.

→ Odpojte čerpadlo od elektrickej siete, počkajte, až sa voda ochladí a pred znovuvvedením do prevádzky zabezpečte prívod vody na sacej strane.

Pri napojení čerpadla na vodovodné potrubie musia byť dodržané špecifické národné sanitárne predpisy, aby sa zabránilo spätnému nasatiu nepitnej vody.

→ Spýtajte sa, prosím, sanitárneho odborníka.

Aby ste u čerpadla zabránili chodu nasucho, dbajte na to, aby sa koniec sacej hadice vždy nachádzal v čerpanom médiu.

→ Pred každým použitím naplňte čerpadlo čerpanou tekutinou až do preplnenia (cca 2 až 3 l)!

Piesok a iné abrazívne látky v čerpanej kvapaline sú príčinou opotrebenia a zníženia výkonu.

→ Pri čerpaní vody s obsahom piesku používajte pred čerpadlom predfilter.

Čerpanie znečistenej vody, napr. s kamienkami, jedľovým ihličím, môže viesť k poškodeniu čerpadla.

→ Nečerpajte znečistenú vodu.

2. MONTÁŽ



NEBEZPEČENSTVO! Ublíženie na zdraví!

Nebezpečenstvo zranenia v prípade, že výrobok náhodne naštartuje.

→ Pred montážou výrobku ho odpojte od zdroja prúdu.

Umiestnenie čerpadla:

Miesto, na ktorom bude čerpadlo umiestnené, musí byť pevné a suché a musí umožniť čerpadlu bezpečné státie.

→ Čerpadlo inštalujte v bezpečnej vzdialenosti (min. 2 m) k vode.

Čerpadlo sa musí namontovať na mieste s obmedzenou vlhkosťou vzduchu a s dostatočným vetraním v dosahu vetracej štrbiny. Vzdialenosť od stien musí predstavovať minimálne 5 cm. Cez vetráciu štrbinu sa nesmie nasaať žiadna nečistota (napr. piesok alebo zem).

Plastové prípojky na sacej a tlakovej strane sa smú ťahať len ručne.

Prípojenie hadice na sacej strane [Obr. A1]:

Na sacej strane nepoužívajte žiadne zástrčné systémové diely pre vodné hadice.

→ Na sacej strane použite saciu hadicu odolnú proti vákuu, napr.

GARDENA saciu súpravu č.v. 1411 GARDENA saciu hadicu pre razené studne č.v. 1729.

Pre skrátenie doby opätovného nasávania odporúčame použiť saciu hadicu so spätnou klapkou, ktoré zabraňuje samovoľnému vypusteniu vody zo sacej hadice po vypnutí čerpadla.

1. Zaskrutkujte prípojku čerpadla ② do prípojky sacej strany ①.
2. Spojte saciu hadicu odolnú proti vákuu ③ s prípojku čerpadla ② a vzduchotesne ju zoskrutkujte.
3. Pri sacích výškach viac ako 4 m: dodatočne upevnite saciu hadicu ③ (napríklad ju uviažte na drevený kolík).
Čerpadlo sa tak odľahčí od hmotnosti sacej hadice.

Prípojenie hadice na tlakovej strane [Obr. A2]:

Prípojka čerpadla ④ je vybavená 33,3 mm (G 1") vnútorným závitom.

Pre GARDENA zásuvný systém je potrebná napr. GARDENA prípojka čerpadla č.v. 1745 (pri č.v. 9010 v rozsahu dodávky).

Pomocou GARDENA zástrčného systému sa môžu pripojiť hadice 19 mm (3/4")/16 mm (5/8") a 13 mm (1/2").

Priemer hadice	Prípojka čerpadla	
13 mm (1/2")	GARDENA Prípoj. sada pre čerpadlá	č.v. 1750
16 mm (5/8")	GARDENA Nákrutka GARDENA Rýchlospojka	č.v. 18202 č.v. 18216
19 mm (3/4")	GARDENA Prípoj. sada pre čerpadlá	č.v. 1752

Optimalizované využitie čerpaceho výkonu čerpadla sa dosiahne pripojením 19 mm (3/4") hadíc v spojení s napr.

– GARDENA pripojovacou súpravou čerpadla č.v. 1752,

alebo 25 mm (1") hadíc s

– GARDENA závitovou spojkou rýchlospojky s vonkajším závitom č.v. 7115/hadicovou spojkou rýchlospojky č.v. 7103.

1. Len pre č.v. 9014: použite tesniacu pásku ⑥ na vonkajšom závite prípojky čerpadla.
2. Zaskrutkujte prípojku čerpadla ② do prípojky tlakovej strany ④.
(Len pri č.v. 9010 v rozsahu dodávky).
3. Spojte tlakovú hadicu ⑤ s prípojku čerpadla ②.

Pri paralelnom pripojení viac ako jednej hadice/prípojovacieho zariadenia odporúčame použiť

– GARDENA 2- alebo 4-cestný rozdeľovač č.v. 8193/8194,
GARDENA 2-cestný ventil č.v. 940,

ktoré je možné naskrutkovať priamo na prípojku čerpadla ②.

3. OBSLUHA



NEBEZPEČENSTVO! Ublíženie na zdraví!

Nebezpečenstvo zranenia v prípade, že výrobok náhodne naštartuje.

→ Pred pripojením, nastavením alebo prepravou výrobku ho odpojte od zdroja prúdu.

Čerpanie vody [Obr. O1/O2]:



POZOR! Chod nasucho!

→ Pred každým uvedením do prevádzky naplňte čerpadlo vodou až po prepád (cca 2 až 5 l).

1. Naskrutkujte rukou skrutkový spoj ⑥ na plniacom hrdle ⑦.
2. Naplňte vodu cez plniace hrdlo ⑦ až po prepád (cca 2 až 5 l).
3. Zaskrutkujte pevne rukou skrutkový spoj ⑥ na plniacom hrdle ⑦ (nepoužívajte kliešte).
4. Prípadne otvorte uzavieracie ventily prítomné v tlakovom potrubí (prípojovacie zariadenia, zastavenie vody atď.).
5. Vypustite zvyšnú vodu z tlakovej hadice ⑤, aby počas procesu nasávania mohol unikáť vzduch.
6. Spojte čerpadlo so zdrojom prúdu.
7. Držte tlakovú hadicu ⑤ min. 1 m kolmo nad čerpadlom smerom nahor, stlačte spínač Zap/Vyp ⑧ a počkajte, kým čerpadlo nasaje vodu.

→ Ak čerpadlo po cca 5 minútach nečerpá vodu, vypnite ho (stlačte spínač Zap/Vyp ⑧) (pozri 6. ODSTRANOVANIE PORÚCH).

Uvedená maximálna samonasávací výška 7 m sa dosiahne len vtedy, keď je čerpadlo naplnené cez plniace hrdlo ⑦ až po prepád a ak pritom držíte tlakovú hadicu ⑤ počas samonasávania smerom nahor tak, aby voda nemohla cez tlakovú hadicu ⑤ z čerpadla unikáť.

Hrdzavenie: čerpadlo č.v. 9014 disponuje liatinovým telesom. Po kontakte s vodou preto dochádza k hrdzaveniu (nepoškodzuje to čerpadlo a nie je to súčasťou záruky). Po zapnutí čerpadla preto môže spočiatku vytekať voda obsahujúca hrdzu.

4. ÚDRŽBA



NEBEZPEČENSTVO! Ublíženie na zdraví!

Nebezpečenstvo zranenia v prípade, že výrobok náhodne naštartuje.

→ Pred vykonaním údržby na výrobku ho odpojte od zdroja prúdu.

Preplach čerpadla:

Po čerpaní vody obsahujúcej chlór sa musí čerpadlo prepláchnuť.

1. Čerpajte vlažnú vodu (max. 35 °C) eventuálne s prísadou jemného čistiaceho prostriedku (napr. vyplachovací prostriedok), kým nebude čerpaná voda čistá.
2. Zlikvidujte zvyšky podľa smerníc zákona o likvidácii odpadu.

5. SKLADOVANIE

Odstavenie z prevádzky [Obr. S1]:

Čerpadlo nie je mrazuvzdorné!

Výrobok musí byť skladovaný na mieste, ktoré je neprístupné deťom.

1. Odpojte čerpadlo od zdroja prúdu.

2. Prípadne uzavrite všetky uzatváracie mechanizmy na sacej strane.
3. Otvorte všetky odberné miesta.
Tlaková strana sa odtlakuje.
4. Otvorte skrutkový spoj ⑥ na plniacom hrdle ⑦ a vypúšťaciu skrutku vody ⑨.
Čerpadlo sa vypustí.
5. Skladujte čerpadlo na suchom, uzavretom mieste zabezpečenom voči mrazu.

6. ODSTRAŇOVANIE PORÚCH



NEBEZPEČENSTVO! Ublíženie na zdraví!

Nebezpečenstvo zranenia v prípade, že výrobok náhodne naštartuje.

→ Pred odstraňovaním poruchy výrobku ho odpojte od zdroja prúdu.

Uvoľnenie obežného kolesa [Obr. T1]:

Obežné koleso, ktoré je kvôli nečistotám pevné, je možné povoliť.

→ Otočte hriadeľ obežného kolesa. ⑩ pomocou skrutkovača.
Tým sa povolí pevné obežné koleso.

Problém	Možná príčina	Odstránenie
Čerpadlo beží, ale nenasáva	Netesné resp. poškodené sacie vedenie.	→ Skontrolujte sacie potrubie, či nie je znečistené a vzduchotesne ho utesnite.
	Čerpadlo sa neplní vodou.	→ Naplňte čerpadlo (pozri 3. OBSLUHA).
	Naplnená čerpaná kvapalina uniká pri samonasávaní cez pripojenú hadicu na výtláčnej strane.	→ 1. Naplňte čerpadlo ešte raz (pozri 3. OBSLUHA). 2. Pri opätovnom uvedení čerpadla do prevádzky držte tlakovú hadicu cca 1 m kolmo nad čerpadlom smerom nahor, kým čerpadlo nasaje vodu.
	Absolútne vákuové spojenie docielite použitím GARDENA sacích hadíc (pozri 8. PRÍSLUŠENSTVO).	
	Zátka na plniacom otvore netesní.	→ Skontrolujte (príp. vymeňte) tesnenie a pevne utiahnite skrutkový spoj (nepoužívajte kliešte).
	Vzduch nemôže unikať, pretože je uzatvorená výtláčna strana resp. vo výtláčnej hadici sú zbytky vody.	→ Otvorte uzavieracie ventily prítomné v tlakovom potrubí (napr. striekačka), resp. vypustíte tlakovú hadicu.
	Nebola dodržaná čakacia doba.	→ Zapnite čerpadlo a počkajte až 5 minút.
Čerpadlo nenaskočí alebo zostáva počas prevádzky stáť	Tepelný ochranný spínač vypol čerpadlo kvôli preťaženiu.	→ Dodržte maximálnu teplotu média (35 °C).
	Čerpadlo bez prúdu.	→ Skontrolujte poistky a elektrické konektory.
	Zareagoval prúdový chránič (chybný prúd).	→ Odpojte čerpadlo od zdroja prúdu a obráťte sa na servis GARDENA.
Čerpadlo beží, ale čerpací výkon náhle poklesne	Čerpadlo nie je zapnuté.	→ Stlačte spínač Zap/Vyp do polohy Zap.
	Koniec sacej hadice nie je vo vode.	→ Ponorte saciu hadicu hlbšie do vody.
	Upchatý nasávací filter alebo zádržka spätného prietoku.	→ Vyčistite sací filter, resp. spätnú klapku.
	Netesnosť na sacej strane.	→ Odstráňte netesnosť.
	Zablokované obežné kolo.	→ Uvoľnite obežné koleso.
Emisia hluku v hydraulickej oblasti	Pri vysokom prietoku (napr. otvorený hadicový výstup, bez spojovacieho prístroja) môže dôjsť v hydraulickej oblasti čerpadla k vzniku hluku. Tento hluk je nepodstatný a nedokáže spôsobiť poškodenie prístroja. Hluk sa dá odstrániť nepatrnou zmenou prietoku (napr. ľahkým otvorením/uzavretím spojovacieho prístroja).	



UPOZORNENIE: Pri iných poruchách sa obráťte na servisné stredisko GARDENA. Opravy môžu vykonávať len servisné strediská GARDENA alebo predajcovia, ktorí sú certifikovaní výrobcem GARDENA.

7. TECHNICKÉ ÚDAJE

Záhradné čerpadlo	Jednotka	Hodnota (č.v. 9010)	Hodnota (č.v. 9014)
Menovitý výkon	W	600	800
Sieťové napätie	V (AC)	230	230
Sieťová frekvencia	Hz	50	50
Max. čerpacie množstvo	l/h	3000	3700
Max. tlak / max. čerpacia výška	bar / m	3,5 / 35	4,1 / 41
Max. samonasávací výška	m	7	7
Prípustný vnútorný tlak (na tlakovej strane)	bar	6	6
Prípojný kábel	m	1,5 (H07RN-F)	1,5 (H07RN-F)
Hmotnosť	kg	5,3	8,2
Hladina akustického výkonu L _{WA} ¹⁾ meraná / garantovaná	dB(A)	77 / 80	77 / 80
Odchýlka k _{WA} ²⁾			
Max. teplota čerpaného média	°C	35	35

Spôsob merania podľa: ¹⁾ RL 2000/14/EU ²⁾ ISO 4871

8. PRÍSLUŠENSTVO/NÁHRADNÉ DIELY

Sacia hadica GARDENA	Odolná proti zalomeniu a vákuu, môžete zakúpiť voľiteľne ako metrový tovar č.v. 1720/1721 (19 mm (3/4")- / 25 mm (1")) bez spojovacích armatúr, alebo ako fixnú dĺžku č.v. 1411/1418 kompletne so spojovacími armatúrami.	
Spojovací kus nasávacej hadice GARDENA	Na pripojenie na strane nasávania.	č.v. 1723/1724
Spojovacia súprava čerpadla GARDENA	Na pripojenie na strane tlaku.	č.v. 1750/1752
Sací filter so spätnou klapkou GARDENA	Na pripojenie na saciu hadicu v metrži.	č.v. 1726/1727/1728
Predfilter pre čerpadlá GARDENA	Obzvlášť sa doporučuje pri čerpaní médií s obsahom piesku.	č.v. 1730/1731
Elektronický tlakový spínač GARDENA	Automaticky zapína a vypína čerpadlo v závislosti od spotreby vody. S poistkou chodu nasucho.	č.v. 1739
Sacia hadica pre kopané studne GARDENA	Na vákuovo pevné pripojenie čerpadla na kopané studne alebo potrubie. Dĺžka 0,5 m. S obojstranným vnútorným závitom 33,3 mm (G 1).	č.v. 1729
GARDENA Plávajúce odsávanie	Na odsávanie bez nečistôt pod vodnou hladinou.	č.v. 1417
GARDENA prípojka čerpadla	Na pripojenie GARDENA zásuvného systému na tlakovej strane.	č.v. 1745

9. ZÁRUKA/SERVIS

9.1 Registrácia produktu:

Zaregistrujte svoj produkt na gardena.com/registration.

9.2 Servis:

Aktuálne kontaktné informácie našej služby nájdete na zadnej strane a online:

- Slovenská republika:
<https://www.gardena.com/sk/podpora/podpora/kontakt/>

10. LIKVIDÁCIA

10.1 Likvidácia čerpadla:

(podľa smernice 2012/19/EÚ)



Výrobok sa nesmie likvidovať v bežnom domácom odpade. Musí sa zlikvidovať podľa platných miestnych predpisov týkajúcich sa ochrany životného prostredia.


ΔΟΛΕΖΙΤΕ!

→ Výrobok zlikvidujte na miestne príslušnom zbernom a recyklačnom mieste.

el Αντλία κήπου

1. ΥΠΟΔΕΙΞΕΙΣ ΑΣΦΑΛΕΙΑΣ	19
2. ΣΥΝΑΡΜΟΛΟΓΗΣΗ	20
3. ΧΕΙΡΙΣΜΟΣ	20
4. ΣΥΝΤΗΡΗΣΗ	21
5. ΑΠΟΘΗΚΕΥΣΗ	21
6. ΑΝΤΙΜΕΤΩΠΙΣΗ ΣΦΑΛΜΑΤΩΝ	21
7. ΤΕΧΝΙΚΑ ΧΑΡΑΚΤΗΡΙΣΤΙΚΑ	21
8. ΕΞΑΡΤΗΜΑΤΑ/ΑΝΤΑΛΛΑΚΤΙΚΑ	22
9. ΕΓΓΥΗΣΗ/ΣΕΡΒΙΣ	22
10. ΑΠΟΡΡΙΨΗ	22

Μετάφραση των πρωτότυπων οδηγιών χρήσης.

 Αυτό το προϊόν επιτρέπεται να χρησιμοποιείται από παιδιά άνω των 8 ετών καθώς και από άτομα με μειωμένες τις φυσικές, αισθητικές ή διανοητικές ικανότητες ή με έλλειψη πείρας και γνώσεων, εφόσον επιτηρούνται ή έχουν ενημερωθεί για την ασφαλή χρήση του προϊόντος και τους ενδεχόμενους κινδύνους. Τα παιδιά δεν επιτρέπεται να παίζουν με το προϊόν. Ο καθαρισμός και οι εργασίες συντήρησης που εκτελούνται από τον πελάτη δεν επιτρέπεται να εκτελούνται από μη επιτηρούμενα παιδιά. Συνιστούμε τη χρήση του προϊόντος μόνο από άτομα άνω των 16 ετών. Μη χρησιμοποιείτε ποτέ το προϊόν όταν είστε κουρασμένοι, άρρωστοι ή κάτω από την επιρροή οινοπνεύματος, ναρκωτικών ή φαρμάκων.

Προβλεπόμενη χρήση:

Η Αντλία κήπου GARDENA προορίζεται για τη μεταφορά υπόγειων υδάτων και βρόχινου νερού, νερού βρύσης και χλωριωμένου νερού στον ιδιωτικό οικιακό και ερασιτεχνικό κήπο.

Αντλούμενα υγρά:

Με την αντλία κήπου GARDENA επιτρέπεται μόνο η άντληση νερού.

Κατά τη χρήση της αντλίας ως ενίσχυση της πίεσης η μέγιστη εσωτερική πίεση δεν επιτρέπεται να υπερβαίνει τα 6 bar (πλευρά πίεσης). Πρέπει να προσθέσετε την πίεση της αντλίας με την νέα αυξημένη πίεση.

- Για παράδειγμα: Πίεση στη βρύση = 2,5 bar, μέγ. πίεση της αντλίας κήπου Κωδ. 9010 = 3,5 bar, συνολική πίεση = 6,0 bar.

Το προϊόν δεν ενδείκνυται για λειτουργία μεγάλης διάρκειας (συνεχής λειτουργία κυκλοφορίας).



ΚΙΝΔΥΝΟΣ! Πρόκληση σωματικής βλάβης!

→ Απαγορεύεται η μεταφορά θαλασσινού νερού, λυμάτων, καυστικών, εύφλεκτων ή εκρηκτικών ουσιών (π.χ. βενζίνη, πετρέλαιο ή νίτρο), λαδιών, πετρελαίου και τροφίμων.

1. ΥΠΟΔΕΙΞΕΙΣ ΑΣΦΑΛΕΙΑΣ

ΣΗΜΑΝΤΙΚΟ!

Μελετήστε με προσοχή τις οδηγίες χρήσης και φυλάξτε τις για μελλοντική χρήση.

Σύμβολα επάνω στο προϊόν:



Μελετήστε τις οδηγίες χρήσης.

Γενικές υποδείξεις ασφαλείας

Ηλεκτρική ασφάλεια



ΚΙΝΔΥΝΟΣ! Ηλεκτροπληξία!

Κίνδυνος τραυματισμού από ηλεκτρικό ρεύμα.

→ Το προϊόν πρέπει να τροφοδοτείται με ρεύμα μέσω αντιηλεκτροληξιακού διακόπτη (RCD) με μέγιστο ονομαστικό ρεύμα απόξευξης 30 mA.



ΚΙΝΔΥΝΟΣ! Κίνδυνος τραυματισμού!

Κίνδυνος τραυματισμού από ηλεκτρικό ρεύμα.

→ Αποσυνδέστε το προϊόν από το δίκτυο προτού το συντηρήσετε ή αντικαταστήσετε εξαρτήματα. Η πρίζα πρέπει να βρίσκεται στο οπτικό πεδίο σας.

Ασφαλής λειτουργία

Η θερμοκρασία του νερού δεν πρέπει να υπερβαίνει τους 35 °C.

Η αντλία δεν επιτρέπεται να χρησιμοποιηθεί όταν βρίσκονται άτομα μέσα στο νερό.

Ρύπανση του υγρού θα μπορούσε να προκύψει από τη διαρροή λιπαντικών.

Διακόπτης προστασίας

Θερμοστατικός διακόπτης:

Σε περίπτωση υπερφόρτωσης, η αντλία τίθεται εκτός λειτουργίας από τον ενσωματωμένο θερμοστατικό διακόπτη του κινητήρα. Η αντλία είναι και πάλι σε λειτουργική ετοιμότητα ύστερα από επαρκή ψύξη του κινητήρα.

Πρόσθετες υποδείξεις ασφαλείας

Ηλεκτρική ασφάλεια



ΚΙΝΔΥΝΟΣ! Καρδιακή ανακοπή!

Αυτό το προϊόν δημιουργεί ηλεκτρομαγνητικό πεδίο κατά τη λειτουργία. Αυτό το πεδίο μπορεί υπό ορισμένες συνθήκες να επηρεάσει τη λειτουργία ενεργητικών ή παθητικών ιατρικών εμφυτευμάτων. Για να αποκλειστεί ο κίνδυνος καταστάσεων που μπορούν να καταλήξουν σε σοβαρούς ή θανάσιμους τραυματισμούς, τα άτομα που φέρουν ιατρικό εμφύτευμα πρέπει να συμβουλευτούν το ιατρό τους ή τον κατασκευαστή του εμφυτεύματος προτού χρησιμοποιήσουν το μηχάνημα.

Καλώδια

Κατά τη χρήση καλωδίων προέκτασης αυτά πρέπει να αντιστοιχούν στις ελάχιστες διατομές στον παρακάτω πίνακα:

Τάση	Μήκος καλωδίου	Διατομή
230 – 240 V/50 Hz	Έως 20 m	1,5 mm ²
230 – 240 V/50 Hz	20 – 50 m	2,5 mm ²



ΚΙΝΔΥΝΟΣ! Ηλεκτροπληξία!

Κίνδυνος τραυματισμού από ηλεκτρικό ρεύμα.

→ Αποσυνδέστε το προϊόν από το ηλεκτρικό δίκτυο, πριν από την απεργιοποίησή του, τη συντήρησή του ή την αποκατάσταση βλαβών.

Η αντλία πρέπει να είναι τοποθετημένη με ευστάθεια και με ασφάλεια υπερχείλισης και να είναι προστατευμένη από πτώση. Τοποθετήστε την αντλία σε ασφαλή απόσταση (ελάχ. 2 m) από το αντλούμενο υγρό. Ως πρόσθετη ασφάλεια μπορεί να χρησιμοποιηθεί ένα εγκεκριμένο ρελέ διαφυγής.

→ Για πρόσθετους μηχανισμούς ασφαλείας, παρακαλούμε συμβουλευθείτε τον ηλεκτρολόγο σας.

Αν υποστεί ζημιά το καλώδιο ηλεκτρικής παροχής αυτής της συσκευής, αυτό πρέπει να αντικατασταθεί από τον κατασκευαστή ή το τμήμα εξυπηρέτησης πελατών του ή ένα άτομο με εφάμιλλα προσόντα προκειμένου να αποφευχθούν κίνδυνοι.

Να προστατεύετε το βύσμα και το καλώδιο σύνδεσης με το δίκτυο από μεγάλη ζέστη, λάδια και αιχμηρές άκρες.

Μην μεταφέρετε την αντλία κρατώντας την από το καλώδιο. Μην τραβάτε το καλώδιο για να τη βγάλετε από την πρίζα.

Προστατέψτε την αντλία από τη βροχή. Μην την χρησιμοποιείτε σε βρεγμένες ή υγρές περιοχές.

Να ελέγχετε τακτικά το αγωγό σύνδεσης.

Να ελέγχετε την αντλία πριν από κάθε χρήση της (ιδιαίτερα το καλώδιο και το βύσμα σύνδεσης με το δίκτυο).

Δεν επιτρέπεται να χρησιμοποιείται μία αντλία που έχει υποστεί βλάβη.

Σε περίπτωση βλάβης παραδώστε την αντλία οπωσδήποτε για έλεγχο σε ένα Τμήμα Εξυπηρέτησης Πελατών της GARDENA.

Κατά τη χρήση των αντλιών μας με γεννήτρια πρέπει να λαμβάνονται υπόψη οι υποδείξεις προειδοποίησης του κατασκευαστή της γεννήτριας.

Ατομική ασφάλεια



ΚΙΝΔΥΝΟΣ! Κίνδυνος ασφυξίας!

Μικρά εξαρτήματα μπορούν να καταποθούν εύκολα. Η παιδική σακούλα εγκυμονεί κίνδυνο ασφυξίας για μικρά παιδιά. Απομακρύνετε τα παιδιά κατά τη διάρκεια της συναρμολόγησης.



ΚΙΝΔΥΝΟΣ!

Κίνδυνος τραυματισμού από νερό υψηλής θερμοκρασίας!

Αν η αντλία λειτουργεί για περισσότερο από 5 λεπτά με κλειστή την έξοδο νερού, το νερό στο εσωτερικό της μπορεί να θερμανθεί. Υπάρχει κίνδυνος να καείτε με το ζεστό νερό!

→ Μην αφήνετε την αντλία να λειτουργεί με κλειστή έξοδο για περισσότερο από 5 λεπτά.

Σε περίπτωση που σταματήσει η παροχή νερού στην πλευρά εισόδου της αντλίας, το νερό που βρίσκεται μέσα στην αντλία μπορεί να υπερθερμανθεί και μόλις ξεχειλίσει να προκαλέσει εγκαύματα.

→ Βγάλτε την αντλία από το ρεύμα, αφήστε το νερό να κρυώσει και βεβαιωθείτε ότι η παροχή νερού λειτουργεί κανονικά πριν συνδέσετε και πάλι την αντλία στο ρεύμα.

Σε περίπτωση που συνδέσετε την αντλία με την παροχή νερού, τηρήστε τους κανονισμούς υγιεινής της περιοχής σας ώστε να εμποδίσετε την άντληση μη πόσιμου νερού.

→ Συμβουλευθείτε κάποιον ειδικό στα θέματα υγιεινής.

Για μην λειτουργεί η αντλία σε κενό, βεβαιωθείτε ότι το λάστιχο εισόδου είναι συνεχώς βυθισμένο μέσα στο υγρό.

→ Πριν από κάθε χρήση γεμίστε την αντλία στην υπερχειλίση με περίπου 2 ως 3 lt του υγρού προς άντληση.

Εάν υπάρχουν μέσα στο μεταφερόμενο υγρό άμμος και άλλα υλικά που τρίβουν, η φθορά θα είναι μεγαλύτερη και θα μειωθεί η απόδοση.

→ Εάν το νερό περιέχει πολύ άμμο, να χρησιμοποιείτε προφίλτρο αντλίας.

Μην αντλείτε βρώμικο νερό, που περιέχει πέτρες, πευκοβελόνες κλπ μπορεί να προκαλέσετε βλάβη στην αντλία.

→ Μην αντλείτε βρώμικο νερό.

2. ΣΥΝΑΡΜΟΛΟΓΗΣΗ



ΚΙΝΔΥΝΟΣ! Πρόκληση σωματικής βλάβης!

Κίνδυνος τραυματισμού σε περίπτωση τυχαίας εκκίνησης του προϊόντος.

→ Αποσυνδέετε το προϊόν από την ηλεκτρική τροφοδοσία προτού το συναρμολογήσετε.

Εγκατάσταση της αντλίας:

Επιλέξτε ένα σημείο ίσιο και σταθερό για να εξασφαλίσετε ασφαλή και σωστή λειτουργία της αντλίας.

→ Τοποθετήστε την αντλία σε ασφαλή απόσταση (ελάχ. 2 m) από το νερό.

Η αντλία πρέπει να τοποθετείται σε ένα σημείο με μειωμένη νγρασία αέρα και επαρκή αερισμό στην περιοχή της εγκοπής αερισμού. Η απόσταση προς τα τοιχώματα πρέπει να είναι τονλάχιστον 5 cm. Μέσω της εγκοπής αερισμού δεν επιτρέπεται να αναρροφεται ρύπανση (π.χ. ζμμος ή χώμα).

Η σύσφιξη των πλαστικών εξαρτημάτων σύνδεσης στην πλευρά αναρρόφησης και πίεσης επιτρέπεται μόνο με το χέρι.

Σύνδεση λάστιχου στην πλευρά αναρρόφησης [Εικ. A1]:

Μην χρησιμοποιήσετε απλούς συνδέσμους με το λάστιχο αναρρόφησης!

→ Χρησιμοποιήστε στην πλευρά αναρρόφησης ένα λάστιχο αναρρόφησης ανθεκτικό σε υποπίεση, π.χ. **σετ φίλτρου και σωλήνα αναρρόφησης GARDENA κωδ. 1411** ή **σωλήνα αναρρόφησης αντλίας GARDENA κωδ. 1729**.

Για να μειωθεί ο χρόνος επαναρρόφησης, συνιστούμε τη χρήση λάστιχου αναρρόφησης με στοπ επιστροφής, που εμποδίζει το αυτόνομο άδειασμα του λάστιχου αναρρόφησης μετά την απενεργοποίηση της αντλίας.

1. Βιδώστε το εξάρτημα σύνδεσης αντλίας ② στη σύνδεση της πλευράς αναρρόφησης ①.
2. Συνδέστε το ανθεκτικό σε υποπίεση λάστιχο αναρρόφησης ③ με το εξάρτημα σύνδεσης αντλίας ② και βιδώστε το αεροστεγώς.
3. Σε ύψη αναρρόφησης μεγαλύτερα των 4 m: Στερεώστε το λάστιχο αναρρόφησης ③ επιπρόσθετα (π.χ. δέστε το σε ξύλινο πάσσαλο). Με αυτόν τον τρόπο η αντλία δεν σηκώνει το βάρος του λάστιχου αναρρόφησης.

Σύνδεση λάστιχου στην πλευρά πίεσης [Εικ. A2]:

Η σύνδεση αντλίας ④ είναι εξοπλισμένη με εσωτερικό σπείρωμα 33,3 mm (G 1").

Για το βυσματωπό σύστημα GARDENA χρειάζεται π.χ. ένα εξάρτημα σύνδεσης αντλίας GARDENA κωδ. 1745 (στον κωδ. 9010 περιλαμβάνεται στην παράδοση).

Τα λάστιχα με διάμετρο 19 mm (3/4"), 16 mm (5/8") και 13 mm (1/2") μπορείτε να τα συνδέσετε με ταχυσυνδέσμους GARDENA.

Διάμετρος λάστιχου	Σύνδεση με την αντλία	
13 mm (1/2")	GARDENA Σετ σύνδεσης με αντλία	Κωδ. 1750
16 mm (5/8")	GARDENA Ρακόρ για βρύσες GARDENA Σύνδεσμος λάστιχου	Κωδ. 18202 Κωδ. 18216
19 mm (3/4")	GARDENA Σετ σύνδεσης με αντλία	Κωδ. 1752

Μια ιδανική εκμετάλλευση της ισχύος παροχής της αντλίας επιτυγχάνεται με τη σύνδεση λάστιχων 19 mm (3/4") σε συνδυασμό με π.χ.

– **σετ σύνδεσης αντλίας GARDENA κωδ. 1752,**

ή λάστιχων 25 mm (1") με εξάρτημα με

– **σπείρωμα ταχυσυνδέσμου GARDENA με εξωτερικό σπείρωμα κωδ. 7115/εξάρτημα λάστιχου ταχυσυνδέσμου κωδ. 7103.**

1. **Μόνο για τον κωδ. 9014:** Χρησιμοποιήστε ταινία στεγανοποίησης ⑥ στο εξωτερικό σπείρωμα του εξαρτήματος σύνδεσης αντλίας.
2. Βιδώστε το εξάρτημα σύνδεσης αντλίας ② στη σύνδεση της πλευράς πίεσης ④ (Μόνο στον κωδ. 9010 περιλαμβάνεται στην παράδοση).
3. Συνδέστε το λάστιχο πίεσης ⑤ με το εξάρτημα σύνδεσης αντλίας ②.

Σε περίπτωση παράλληλης σύνδεσης περισσότερων του ενός λάστιχου/συσκευής σύνδεσης προτείνουμε τη χρήση της

– **διπλής ή τετραπλής παροχής GARDENA κωδ. 8193/8194, της διπλής βαλβίδας GARDENA κωδ. 940,**

οι οποίες μπορούν να βιδωθούν απευθείας στο εξάρτημα σύνδεσης αντλίας ②.

3. ΧΕΙΡΙΣΜΟΣ



ΚΙΝΔΥΝΟΣ! Πρόκληση σωματικής βλάβης!

Κίνδυνος τραυματισμού σε περίπτωση τυχαίας εκκίνησης του προϊόντος.

→ Αποσυνδέετε το προϊόν από την τροφοδοσία ρεύματος προτού το συνδέσετε, το ρυθμίσετε ή το μεταφέρετε.

Άντληση νερού [Εικ. O1/O2]:



ΠΡΟΣΟΧΗ! Λειτουργία στο κενό!

→ Γεμίστε την αντλία πριν από κάθε χρήση μέχρι την υπερχειλίση (περ. 2 έως 5 l) με νερό.

1. Ξεβιδώστε το ρακόρ ⑥ από το στόμιο πλήρωσης ⑦ με το χέρι.
2. Γεμίστε νερό από το στόμιο πλήρωσης ⑦ μέχρι την υπερχειλίση (περ. 2 έως 5 l).
3. Βιδώστε το ρακόρ ⑥ στο στόμιο πλήρωσης ⑦ καλά με το χέρι (μην χρησιμοποιείτε πένσα).
4. Ανοίξτε τις βαλβίδες απομόνωσης που ενδεχομένως υπάρχουν στον σωλήνα πίεσης (συσκευές σύνδεσης, στοπ νερού, κτλ.).
5. Αδειάστε το υπόλοιπο νερό από το λάστιχο πίεσης ⑤, ώστε να μπορεί να διαφύγει ο αέρας κατά τη διαδικασία αναρρόφησης.
6. Συνδέστε την αντλία με την τροφοδοσία ρεύματος.
7. Κρατήστε το λάστιχο πίεσης ⑤ min. 1 m κάθετα πάνω από την αντλία προς τα επάνω, πατήστε τον διακόπτη ενεργοποίησης/ απενεργοποίησης ⑧ και περιμένετε μέχρι να κάνει αναρρόφηση η αντλία.

→ **Εάν η αντλία δεν αντλεί νερό μετά από περ. 5 λεπτά, απενεργοποιήστε την αντλία (πατήστε τον διακόπτη ενεργοποίησης/ απενεργοποίησης ⑧) (βλ. 6. ΑΝΤΙΜΕΤΩΠΙΣΗ ΣΦΑΛΜΑΤΩΝ).**

Το αναφερόμενο μέγιστο ύψος αυτοαναρρόφησης των 7 μέτρων επιτυγχάνεται μόνο, εφόσον η αντλία είναι γεμάτη μέσω του στομίου πλήρωσης ⑦ μέχρι την υπερχειλίση, και το λάστιχο πίεσης ⑤ κατά τη διάρκεια της αυτοαναρρόφησης κρατιέται τόσο ψηλά, ώστε να μην είναι μπορεί να διαφύγει νερό από την αντλία μέσω του λάστιχου πίεσης ⑤.

Σχηματισμός σκουριάς: Η αντλία με κωδ. 9014 διαθέτει ένα περιβλήμα από χυτοσίδηρο. Μετά από επαφή με νερό προκαλείται επομένως σχηματισμός σκουριάς (αυτό δεν βλάπτει την αντλία και δεν περιλαμβάνεται στην εγγύηση). Επομένως ενδέχεται αρχικά να εξέρχεται νερό με σκουριά μετά την ενεργοποίηση.

4. ΣΥΝΤΗΡΗΣΗ



ΚΙΝΔΥΝΟΣ! Πρόκληση σωματικής βλάβης!
Κίνδυνος τραυματισμού σε περίπτωση τυχαίας εκκίνησης του προϊόντος.

→ Αποσυνδέστε το προϊόν από την τροφοδοσία ρεύματος προτού το συντηρήσετε.

Πλύση της αντλίας:

Μετά την άντληση χλωριωμένου νερού πρέπει να πλυθεί η αντλία.

1. Αντλήστε χλιαρό νερό (το πολύ 35 °C) προσθέτοντας κατά περίπτωση ένα ήπιο απορρυπαντικό (π.χ., απορρυπαντικό πιάτων) μέχρι τη στιγμή που το αντλούμενο νερό θα είναι διαυγές.
2. Απορρίψτε τα κατάλοιπα σύμφωνα με τις οδηγίες του νόμου για τη διάθεση αποβλήτων.

5. ΑΠΟΘΗΚΕΥΣΗ

Θέση εκτός λειτουργίας [Εικ. S1]:

Η αντλία δεν διαθέτει προστασία από παγετό!

Το προϊόν πρέπει να φυλάσσεται σε μέρος στο οποίο δεν έχουν πρόσβαση παιδιά.

1. Αποσυνδέστε την αντλία από την τροφοδοσία ρεύματος.
2. Κλείστε κατά περίπτωση όλες τις διατάξεις φραγής στην πλευρά αναρρόφησης.
3. Ανοίξτε όλα τα σημεία λήψης.
Η πίεση στην πλευρά πίεσης εκτονώνεται.
4. Ανοίξτε το ρακόρ ⑥ από το στόμιο πλήρωσης ⑦ και τη βιδωτή τάπα αποστράγγισης νερού ⑨.
Η αντλία αδειάζει.
5. Φυλάξτε την αντλία σε στεγνό, κλειστό και ασφαλή από τον παγετό χώρο.

6. ΑΝΤΙΜΕΤΩΠΙΣΗ ΣΦΑΛΜΑΤΩΝ



ΚΙΝΔΥΝΟΣ! Πρόκληση σωματικής βλάβης!
Κίνδυνος τραυματισμού σε περίπτωση τυχαίας εκκίνησης του προϊόντος.

→ Αποσυνδέστε το προϊόν από την τροφοδοσία ρεύματος προτού αντιμετωπίσετε σφάλματά του.

Αντιμετώπιση εμπλοκής της φτερωτής [Εικ. T1]:

Η φτερωτή μπορεί να μπλοκάρει από συσσώρευση μικροαντικειμένων. Στην περίπτωση αυτή:

→ Περιστρέψτε τον άξονα της φτερωτής ⑩ με ένα κατσαβίδι.
Η φτερωτή θα ξεμπλοκάρει αμέσως.

Πρόβλημα	Αιτία	Αντιμετώπιση
Η αντλία λειτουργεί αλλά δεν αντλεί	Το λάστιχο αναρρόφησης έχει φθαρεί ή έχει διαρροή.	→ Ελέγξτε τον αγωγό αναρρόφησης για τυχόν ζημιές και στεγανοποιήστε τον αεροστεγώς.
	Η αντλία δεν γεμίζει με νερό.	→ Γεμίστε την αντλία (βλ. 3. ΧΕΙΡΙΣΜΟΣ).
	Το υγρό φεύγει από το λάστιχο εξόδου κατά την αναρρόφηση.	→ 1. Γεμίστε την αντλία ξανά (βλ. 3. ΧΕΙΡΙΣΜΟΣ). 2. Πριν από την εκ νέου χρήση της αντλίας, κρατήστε το λάστιχο πίεσης περ. 1 m κάθετα πάνω από την αντλία προς τα επάνω, μέχρι να κάνει αναρρόφηση η αντλία.
	Τα λάστιχα αναρρόφησης της GARDENA εξασφαλίζουν πλήρως αεροστεγή σύνδεση (βλ. 8. ΕΞΑΡΤΗΜΑΤΑ).	
	Η βίδα στο δοχείο εμφανίζει διαρροές.	→ Ελέγξτε την τσιμούχα (ενδεχ. αντικαταστήστε την) και σφίξτε καλά το ρακόρ (μην χρησιμοποιείτε πένσα).

Πρόβλημα	Αιτία	Αντιμετώπιση
Η αντλία λειτουργεί αλλά δεν αντλεί	Ο αέρας δεν μπορεί να διαφύγει, η γραμμή εξόδου είναι κλειστή ή έχει μείνει νερό στο λάστιχο εξόδου.	→ Ανοίξτε τις βαλβίδες απομύκνωσης που υπάρχουν στο λάστιχο πίεσης (π.χ. ψεκαστήρας) ή/και αδειάστε το λάστιχο πίεσης.
	Δεν περιμένετε αρκετά την αντλία να ανοίξει.	→ Ενεργοποιήστε την αντλία και περιμένετε μέχρι και 5 λεπτά.
	Το φίλτρο αναρρόφησης ή η βαλβίδα αντεπιστροφής στο λάστιχο αναρρόφησης έχουν μπλοκάρει.	→ Καθαρίστε το φίλτρο ή/και το στοπ επιστροφής.
	Πολύ μεγάλο ύψος αναρρόφησης.	→ Μειώστε το ύψος αναρρόφησης.
	Αν αντιμετωπίζετε δυσκολίες κατά την αναρρόφηση, χρησιμοποιήστε τα λάστιχα αναρρόφησης της GARDENA με βαλβίδα αντεπιστροφής (βλ. κεφ. 8. ΕΞΑΡΤΗΜΑΤΑ) και γεμίστε από τον δοσομετρητή την αντλία με το υγρό προς άντληση, πριν από κάθε χρήση.	
Η αντλία δεν παίρνει μπροστά ή σταματάει κατά τη διάρκεια της λειτουργίας	Ο θερμοστατικός διακόπτης απενεργοποίησε την αντλία λόγω υπερθέρμανσης.	→ Λάβετε υπόψη τη μέγιστη θερμοκρασία μέσου (35 °C).
	Αντλία χωρίς ρεύμα.	→ Ελέγξτε τις ασφάλειες και τα ηλεκτρικά βύσματα σύνδεσης.
	Ο διακόπτης RCD ενεργοποιήθηκε (ρεύμα διαρροής).	→ Αποσυνδέστε την αντλία από την τροφοδοσία ρεύματος και απευθυνθείτε στο Σέρβις της GARDENA.
	Η αντλία δεν είναι ενεργοποιημένη.	→ Πατήστε τον διακόπτη ενεργοποίησης/απενεργοποίησης στη θέση On.
Η αντλία λειτουργεί, αλλά μειώνεται απότομα η απόδοσή της	Το άκρο του λάστιχου αναρρόφησης δεν βρίσκεται μέσα στο νερό.	→ Βυθίστε το άκρο του λάστιχου αναρρόφησης πιο βαθιά στο νερό.
	Βπουλωμένο φίλτρο αναρρόφησης ή στοπ επιστροφής.	→ Καθαρίστε το φίλτρο αναρρόφησης ή/και το στοπ επιστροφής.
	Διαρροή στην πλευρά αναρρόφησης.	→ Αντιμετωπίστε τη διαρροή.
	Η φτερωτή έχει μπλοκάρει.	→ Αποσυνδέστε τη φτερωτή.

Δημιουργία θορύβου στο υδραυλικό πεδίο

Σε περίπτωση μεγάλης παροχής (π.χ. ανοικτή έξοδος σωλήνα, χωρίς συνδεδεμένη συσκευή) δεν αποκλείεται να δημιουργηθεί θόρυβος στο υδραυλικό στήμια της αντλίας. Ο θόρυβος αυτός δεν έχει καμία σημασία και δεν προκαλεί βλάβη της αντλίας. Μπορείτε να διακόψετε το θόρυβο με μικρή αλλαγή της παροχής (π.χ. ελαφρό άνοιγμα/κλείσιμο μίας συνδεδεμένης συσκευής).



ΥΠΟΔΕΙΞΗ: Για άλλες βλάβες απευθυνθείτε στο κέντρο σέρβις της εταιρείας GARDENA. Επισκευές επιτρέπεται να εκτελούνται μόνο από τα κέντρα σέρβις της εταιρείας GARDENA καθώς και από εξειδικευμένους αντιπροσώπους εξουσιοδοτημένους από την εταιρεία GARDENA.

7. ΤΕΧΝΙΚΑ ΧΑΡΑΚΤΗΡΙΣΤΙΚΑ

Αντλία κήπου	Μονάδα	Τιμή (Κωδ. 9010)	Τιμή (Κωδ. 9014)
Ισχύς δικτύου	W	600	800
Τάση δικτύου	V (AC)	230	230
Συχνότητα δικτύου	Hz	50	50
Μέγ. ικανότητα άντλησης	l/h	3000	3700
Μέγ. πίεση/μεγ. ύψος άντλησης	bar / m	3,5 / 35	4,1 / 41
Μέγ. βάθος αναρρόφησης	m	7	7
Επιτρεπτή εσωτερική πίεση (στην πλευρά πίεσης)	bar	6	6
Καλώδιο σύνδεσης	m	1,5 (H07RN-F)	1,5 (H07RN-F)
Βάρος	kg	5,3	8,2
Στάθμη ηχητικής ισχύος $L_{WA}^{1)}$ προσδιοριζόμενη/εγγυημένη Αβεβαιότητα $k_{WA}^{2)}$	dB(A)	77 / 80 3	77 / 80 2,36
Μέγ. θερμοκρασία αντλούμενου νερού	°C	35	35

Μέθοδος μέτρησης κατά το πρότυπο: ¹⁾ RL 2000/14/EU ²⁾ ISO 4871

8. ΕΞΑΡΤΗΜΑΤΑ/ΑΝΤΑΛΛΑΚΤΙΚΑ

GARDENA Λάστιχα αναρρόφησης	Δεν τσακίζεται, κατ'επιλογή προσφέρεται με το μέτρο, κωδ. 1720/1721 (19 mm (3/4")-/25 mm (1")) χωρίς εξαρτήματα σύνδεσης ή σε στάνταρ μήκος κωδ. 1411/1418 κομπλέ με εξαρτήματα σύνδεσης.	
Σύνδεση σωλήνα αναρρόφησης GARDENA	Για σύνδεση στην πλευρά αναρρόφησης.	Κωδ. 1723/1724
Σετ σύνδεσης αντλίας GARDENA	Για σύνδεση στην πλευρά πίεσης.	Κωδ. 1750/1752
GARDENA Φίλτρο αναρρόφησης	Για τα λάστιχα αναρρόφησης που πωλούνται με το μέτρο.	Κωδ. 1726/1727/1728
GARDENA Φίλτρο εισόδου αντλίας	Συνιστάται όταν το υγρό προς άντληση περιέχει άμμο.	Κωδ. 1730/1731
GARDENA Διακόπτης με ηλεκτρονικό μανόμετρο	Αυτόματα ξεκινά ή σταματά την λειτουργία της αντλίας ανάλογα με την τρέχουσα πίεση λειτουργίας. Με ασφάλεια από λειτουργία στο κενό.	Κωδ. 1739
GARDENA Σωλήνας σύνδεσης με το κεντρικό δίκτυο	Ανθεκτικός στην πίεση σωλήνας σύνδεσης της αντλίας με το κεντρικό δίκτυο. Μήκος 0,5 m. Με θηλυκό σύνδεσμο 33,3 mm (G1) και στα δύο άκρα.	Κωδ. 1729
Πλωτή αναρρόφηση GARDENA	Για την χωρίς ρύπανση αναρρόφηση κάτω από την επιφάνεια του νερού.	Κωδ. 1417
Εξάρτημα σύνδεσης αντλίας	Για σύνδεση του βυσματωτού συστήματος GARDENA στην πλευρά πίεσης.	Κωδ. 1745

9. ΕΓΓΥΗΣΗ/ΣΕΡΒΙΣ

9.1 Δήλωση προϊόντος:

Δηλώστε το προϊόν σας στη διεύθυνση [gardena.com/registration](https://www.gardena.com/registration).

9.2 Σέρβις:

Βρείτε τα τρέχοντα στοιχεία επικοινωνίας του σέρβις μας στο πίσω εξώφυλλο και στο διαδικτυο:

- Ελλάδα:
<https://www.gardena.com/gr/servis-kai-ypostirixi/symvoules/epikoinonia/>
- Κύπρος:
<https://www.gardena.com/cy/servis-kai-ypostirixi/symvoules/epikoinonia/>

10. ΑΠΟΡΡΙΨΗ

10.1 Απόρριψη της αντλίας:

(σύμφωνα με την οδηγία 2012/19/ΕΕ)



Το προϊόν δεν επιτρέπεται να απορρίπτεται στα κοινά οικιακά απορρίμματα. Πρέπει να απορρίπτεται σύμφωνα με τους ισχύοντες τοπικούς κανονισμούς προστασίας του περιβάλλοντος.

ΣΗΜΑΝΤΙΚΟ!

→ Διαθέστε το προϊόν μέσω της υπηρεσίας ανακύκλωσης της περιοχής σας.

sl Vrtna črpalka

1. VARNOSTNI NAPOTKI	22
2. MONTAŽA	23
3. UPORABA	23
4. VZDRŽEVANJE	24
5. SHRANJEVANJE	24
6. ODPRAVLJANJE NAPAK	24
7. TEHNIČNI PODATKI	24
8. PRIBOR/NADOMESTNI DELI	24
9. GARANCIJA/SERVIS	25
10. ODSTRANITEV	25

Prevod izvirnih navodil.



Otroci od 8 let starosti naprej ter osebe z omejenimi fizičnimi, zaznavnimi ali duševnimi sposobnostmi ali s pomanjkljivimi izkušnjami ter znanjem ta izdelek smejo upo-

rabljati le, če jih pri tem nekdo nadzoruje ali so dobili navodila o varni uporabi izdelka in razumejo nevarnosti, ki izhajajo iz njene uporabe. Otroci se ne smejo igrati z izdelkom. Otroci ne smejo izvajati čiščenja in vzdrževanja v obsegu za uporabo nike, če pri tem niso pod nadzorom. Uporabo izdelka priporočamo šele pri mladostnikih od starosti 16 let naprej. Izdelka nikakor ne uporabljajte, če ste utrujeni ali bolni ali pod vplivom alkohola, drog ter zdravil.

Predvidena uporaba:

GARDENA Vrtna črpalka je predvidena za črpanje podtalnice in deževnice, vodovodne vode in klorirane vode na zasebnem hišnem vrtu in vrtu za prosti čas.

Tekočine za črpanje:

Z GARDENA vrtno črpalko je dovoljeno črpati le vodo.

Če črpalko uporabljate za povečanje tlaka, potem največji dovoljeni notranji tlak ne sme presegati 6 bar (na tlačni strani). Izhodni pritisk in pritisk črpalke se seštevata.

- **Primer:** Tlak pri vodni pipi = 2,5 bar,
maks. tlak vrtno črpalke art.-št. 9010= 3,5 bar,
skupni tlak = 6,0 bar.

Izdelek ni primeren za dolgotrajno delovanje (trajno obtočno delovanje).



NEVARNOST! Telesne poškodbe!

→ Z njo ni dovoljeno črpati slane vode, umazane vode, jedkih, lahko vnetljivih ali eksplozivnih snovi (npr. bencina, petroleja, nitrozazredčila), olja, kurilnega olja ali živil.

1. VARNOSTNI NAPOTKI

POMEMBNO!

Skrbno preberite navodila za uporabo in jih shranite za poznejše branje.

Simboli na izdelku:



Preberite navodila za uporabo.

Splošni varnostni napotki

Električna varnost



NEVARNOST! Električni udar!

Nevarnost telesnih poškodb zaradi električnega toka.

→ Napajanje izdelka z električnim tokom mora potekati s pomočjo FI-stikala (RCD) z nazivnim diferenčnim tokom največ 30 mA.



NEVARNOST! Nevarnost poškodb!

Nevarnost telesnih poškodb zaradi električnega toka.

→ Ločite izdelek od omrežja, preden ga začnete vzdrževati ali menjavati dele. Pri tem mora biti vtičnica v vašem vidnem območju.

Varen način delovanja

Temperatura vode ne sme preseči 35 °C.

Črpalke ni dovoljeno uporabljati, če so v vodi osebe.

Zaradi izstopanja maziv bi lahko prišlo do onesnaženja tekočine.

Zaščitno stikalo

Termično zaščitno stikalo:

V primeru preobremenitve vgrajena termična zaščita motorja črpalke izklopi. Ko se motor dovolj ohladi, je črpalka znova pripravljena za delovanje.

Dodatni varnostni napotki

Električna varnost



NEVARNOST! Zaustavitev delovanja srca!

Ta izdelek med delovanjem povzroči nastanek elektromagnetnega polja. To polje lahko pod določenimi pogoji učinkuje na delovanje aktivnih ali pasivnih medicinskih vsadkov. Da je izključena nevarnost v primerih, ki bi lahko privedli do težkih ali smrtnih telesnih poškodb, naj se osebe z medicinskim vsadkom pred uporabo tega izdelka posvetujejo s svojim zdravnikom in proizvajalcem vsadka.

Kabli

Pri uporabi podaljševalnih kablov morajo ti imeti najmanjši presek, naveden v naslednji tabeli:

Napetost	Dolžina kabla	Presek
230 – 240 V/50 Hz	do 20 m	1,5 mm ²
230 – 240 V/50 Hz	20 – 50 m	2,5 mm ²



NEVARNOST! Električni udar!

Nevarnost telesnih poškodb zaradi električnega toka.

→ Ločite izdelek od omrežja, preden ga vzamete iz obratovanja, začnete vzdrževati ali odpravljati napake.

Črpalko je treba postaviti stabilno in zavarovano pred poplavo ter jo zaščititi pred padanjem v njo. Črpalko postavite na varni razdalji (najm. 2 m) do medija, ki ga boste črpali. Kot dodaten varnostni ukrep se lahko uporablja odobreno stikalo za zaščito oseb.

→ Prosimo, obrnite se na električarja.

Da bi preprečili nevarnosti, mora poškodovan napajalni kabel te naprave zamenjati proizvajalec ali njegova servisna služba ali podobno usposobljena oseba.

Varujte priključni kabel pred vročino, oljem in ostrimi robovi.

Ne nosite črpalke za kabel in ne uporabljajte ga pri izvlečenju vtiča iz vtičnice.

Črpalke ne postavljajte na dež in ne uporabljajte je v mokri ali vlažni okolici.

Redno preverjajte priključeno električno napeljavo.

Pred uporabo črpalke (posebno še priključni kabel in vtič) vedno temeljito preglejte zaradi morebitnih poškodb.

Poškodovane črpalke ne smete uporabljati. V primeru poškodbe morate črpalko pregledati GARDENA servis ali pooblaščen električar.

Pri uporabi naših črpalk z generatorjem je treba upoštevati opozorila proizvajalca generatorjev.

Osebna varnost



NEVARNOST! Nevarnost zadržitve!

Manjše dele je mogoče preprosto pogoltniti. Zaradi plastičnih vrečk obstaja nevarnost zadržitve majhnih otrok. Majhni otroci naj se vam med sestavljanjem ne približujejo.



NEVARNOST! Nevarnost poškodb zaradi vroče vode!

Pri daljšem delovanju (> 5 min.) ob zaprti tlačni strani se lahko voda v črpalki segreje, tako da lahko pride do poškodb z vročo vodo.

→ Črpalko pustite teči proti zaprti tlačni strani največ 5 minut.

Zaradi neustreznega podtlaka pri vstopu vode v črpalko se lahko voda v črpalki segreje in pride pri odtoku vode do poškodb z vročo vodo.

→ Črpalko odklopite iz omrežja, počakajte, da se voda ohladi in s ponovnim zagonom zagotovite podtlak pri vstopu vode v črpalko.

Pri priključu črpalke neposredno na vodovodno omrežje je potrebno upoštevati sanitarne predpise in preprečiti morebiten vdor nepitne vode v omrežje.

→ Prosimo posvetujte se s strokovnjakom.

Za preprečitev suhega teka črpalke je potrebno zagotoviti, da je konec sesalne cevi stalno v črpani tekočini.

→ Pred vsakim zagonom črpalko napolnite s tekočino do prelivanja (približno 2 do 3 l).

Pesek in ostale grobe snovi v potiskani tekočini vodijo k povečani obrabi in zmanjšujejo moč črpalke.

→ Če voda vsebuje veliko peska, uporabljajte predfilter za črpalko.

Črpanje umazane vode npr. kamenja, smrekovih iglic itd. lahko povzroči poškodbe črpalke.

→ Ne črpajte umazane vode!

2. MONTAŽA



NEVARNOST! Telesne poškodbe!

Nevarnost telesnih poškodb, če bi se izdelek nenamerno zagnal.

→ Preden začnete izdelek nameščati, ga ločite od oskrbe z električnim tokom.

Namestitev črpalke:

Mesto za namestitev črpalke mora biti trdno in suho, da omogoča črpalki varno stojišče.

→ Črpalko postavite na varni razdalji (najm. 2 m) do vode.

Črpalko morate postaviti na mestu z majhno zračno vlago in zadostnim zračenjem v območju prezračevalnih rež. Razdalja do zidov mora znašati najmanj 5 cm. Skozi zračne reže se ne sme vsesati nobena umazanija (npr pesek ali zemlja).

Priključne dele iz umetne snovi na sesalni in tlačni strani je dovoljeno zategovati le ročno.

Priključitev gibke cevi na sesalni strani [slika A1]:

Na sesalni strani nikoli ne uporabljajte spojnih elementov namenjenih spajanju vrtnih vodovodnih cevi!

→ Na sesalni strani uporabite vakuumsko tesno sesalno cev, npr.

GARDENA sesalni komplet art.-št. 1411 ali

GARDENA sesalno gibko cev za zabiti vodnjak art.-št. 1729.

Za skrajšanje časa ponovnega črpanja priporočamo uporabo sesalne gibke cevi z zaporo povratnega toka, ki preprečuje samodejno izpraznjenje sesalne gibke cevi po izklopu črpalke.

1. Privijte priključni element črpalke ② v priključek na sesalni strani ①.
2. Povežite vakuumsko trdno sesalno gibko cev ③ s priključnim elementom črpalke ② in tega privijte neprepustno za zrak.
3. Pri višini sesanja nad 4 m: pritrdite sesalno gibko cev ③ še dodatno (npr. tako, da jo privežete na leseni količek).
S tem boste razbremenili črpalko.

Priključitev gibke cevi na tlačni strani [slika A2]:

Priključek črpalke ④ je opremljen s 33,3-milimetrskim (G 1") notranjim navojem.

Za GARDENA vtični sistem npr. potrebujete GARDENA priključni kos za črpalko art.-št. 1745 (pri art.-št. 9010 je ta del obsega dobave).

Preko GARDENA vtičnega sistema lahko priključite 19 mm (3/4")-/16 mm (5/8") in 13 mm (1/2")-cevi.

Premer cevi	Priključek črpalke	
13 mm (1/2")	Komplet GARDENA priključkov črpalke	art.-št. 1750
16 mm (5/8")	GARDENA Element za pipo GARDENA Cevni element	art.-št. 18202 art.-št. 18216
19 mm (3/4")	Komplet GARDENA priključkov črpalke	art.-št. 1752

Optimalno izkoriščanje zmogljivosti črpanja črpalke lahko dosežete s priključitvijo gibkih cevi premera 19 mm (3/4") v povezavi z npr.

– **GARDENA kompletom za priključitev cevi na črpalko art.-št. 1752,**

ali gibkih cevi premera 25 mm (1") z

– **GARDENA navojno hitro spojko z zunanjim navojem art.-št. 7115/hitro spojko za cevi art.-št. 7103.**

1. **Samo za art.-št. 9014:** Uporabite tesnilni trak ⑥ na zunanjem navoju priključnega elementa črpalke.
2. Privijte priključni element črpalke ② v priključek na tlačni strani ④ (del obsega dobave samo pri art.-št. 9010).
3. Povežite tlačno gibko cev ⑤ s priključnim elementom črpalke ②.

Pri vzporedni priključitvi več kot ene gibke cevi/priključne naprave priporočamo uporabo

– **GARDENA 2- ali 4-krakega razdelilnika art.-št. 8193/8194, GARDENA 2-smernega ventila art.-št. 940,**

ki jih lahko privijete neposredno na priključni element črpalke ②.

3. UPORABA



NEVARNOST! Telesne poškodbe!

Nevarnost telesnih poškodb, če bi se izdelek nenamerno zagnal.

→ Preden izdelek začnete priključevati, nastavljati ali transportirati, ga ločite od oskrbe z električnim tokom.

Črpanje vode [slika O1/O2]:



POZOR! Suhi tek črpalke!

→ Napolnite črpalko pred vsakim zagonom do preliva (pribl. 2 do 5 l) z vodo.

1. Odvijte privijte ⑥ na polnilni odprtini ⑦ z roko.
2. Dolijte vodo skozi polnilno odprtino ⑦ do preliva (pribl. 2 do 5 l).
3. Privijte privijte ⑥ na polnilni odprtini ⑦ z roko (ne uporabljajte klešč).
4. Odprite morebiti obstoječe zaporne ventile v tlačni napeljavi (priključne naprave, priprave proti iztekanju vode itd.).
5. Izpraznite preostalo vodo iz tlačne cevi ③, da lahko pri postopku sesanja zrak uhaja ven.

6. Priključite črpalko na oskrbo z električnim tokom.
7. Držite tlačno gibko cev ⑤ najm. 1 m navpično nad črpalko, pritisnite stikalo za vklop/izklop ⑥ in počakajte, da črpalka začne sesati.

→ Če črpalka po pribl. 5 minutah ne začne črpati vode, črpalko izklopite (pritisnite stikalo za vklop/izklop ⑥) (glejte pod 6. ODPRAVLJANJE NAPAK).

Navedena maksimalna višina samostojnega sesanja 7 m se doseže le, če črpalko preko polnilne odprtine ⑦ napolnite do preliva in če tlačno gibko cev ⑤ medtem in med prvim samostojnim sesanjem držite tako visoko navzgor, da voda ne more uhajati iz črpalke iz tlačne gibke cevi ⑤.

Pojav rje: Črpalka art.-št. 9014 ima ohišje iz litega železa. Po stiku z vodo se tako pojavi rja (ta ni škodljiva za črpalko in ne predstavlja razloga za uveljavljanje garancije). Zato lahko po vklopu na začetku uhaja voda z rjo.

4. VZDRŽEVANJE



NEVARNOST! Telesne poškodbe!

Nevarnost telesnih poškodb, če bi se izdelek nenamerno zagnal.

→ Preden začnete izdelek vzdrževati, ga ločite od oskrbe z električnim tokom.

Izpiranje črpalke:

Po črpanju klorirane vode je treba črpalko izprati.

1. Črpajte mlačno vodo (maks. 35 °C), po potrebi z dodatkom blagega čistilnega sredstva (npr. sredstva za pomivanje), dokler črana voda ni jasna.
2. Ostanke odstranite v skladu s predpisi zakona o odstranjevanju odpadkov.

5. SHRANJEVANJE

Konec uporabe [slika S1]:

Črpalka ni zavarovana pred zmrzaljo!

Izdelek mora biti shranjen zunaj dosega otrok.

1. Ločite črpalko od oskrbe z električnim tokom.
2. Po potrebi zaprite vse zaporne organe na sesalni strani.
3. Odprite vsa mesta odvzema.
Na tlačni strani ni več tlaka.
4. Odprite privitje ⑥ na polnilni odprtini ⑦ in vijak za izpust vode ④.
Črpalka se izprazni.
5. Shranite črpalko na suhem, zaprtem mestu brez nevarnosti zmrzali.

6. ODPRAVLJANJE NAPAK



NEVARNOST! Telesne poškodbe!

Nevarnost telesnih poškodb, če bi se izdelek nenamerno zagnal.

→ Ločite izdelek od oskrbe z električnim tokom, preden začnete odpravljati napake izdelka.

Sprostitev rotorja [slika T1]:

Zaradi umazanije zaskočeno turbino je moč sprostiti.

→ Zavrtite gred rotorja ⑩ z izvijačem.

Tako bo turbina sproščena.

Težava	Mogoč vzrok	Pomoč
Črpalka obratuje, vendar ne vsesava	Sesalna napeljava ne tesni oz. je poškodovana.	→ Preverite, ali je sesalna napeljava poškodovana in jo zrakotesno zatesnite.
	Črpalka se ni napolnila z vodo.	→ Napolnite črpalko (glejte pod 3. UPORABA).
	Napolnjena tekočina pri samosesanju uhaja preko cevi, ki je priključena na tlačno stran.	→ 1. Napolnite črpalko še enkrat (glejte pod 3. UPORABA). 2. Pri ponovnem zagonu držite tlačno gibko cev najm. 1 m navpično nad črpalko, dokler črpalka ne začne sesati.
	Popolno vakuumsko tesno povezavo boste dosegli z uporabo GARDENA sesalnih cevi (glejte pod 8. PRIBOR).	

Težava	Mogoč vzrok	Pomoč
Črpalka obratuje, vendar ne vsesava	Pokrovček ob polnilnem nastavku ne tesni.	→ Preverite tesnilo (po potrebi ga zamenjajte) in zategnite privitje (ne uporabljajte klešč).
	Zrak ne more izhajati, ker je tlačna stran zaprta, oz. je preostala voda v tlačni cevi.	→ Odprite zaporne ventile v tlačni napeljavi (npr. brizgo) oz. izpraznite tlačno gibko cev.
	Niste upoštevali čakalne dobe.	→ Vključite črpalko in počakajte do 5 minut.
	Sesalni filter ali protipovratna zapora v sesalni cevi sta zamašena.	→ Očistite filter oz. zaporo povratnega toka.
	Previsoka višina sesanja.	→ Zmanjšajte višino sesanja.
	V primeru drugih težav z vsesavanjem uporabite GARDENA sesalno cev s protipovratno zaporo (glejte pod 8. PRIBOR) in napolnite črpalko s črpano tekočino preko polnilnih odprtin.	
Črpalka ne steče ali pa se med obratovanjem nenadoma ustavi	Termično zaščitno stikalo je črpalko izklopilo zaradi pregretja.	→ Upoštevajte maksimalno temperaturo medijev (35 °C).
	Črpalka je brez toka.	→ Preverite varovalke in električne vtične povezave.
	Sprožilo se je zaščitno stikalo na diferenčni tok (okvarni tok).	→ Ločite črpalko od vira oskrbe z električnim tokom in se obrnite na GARDENA servisno službo.
	Črpalka ni vklopljena.	→ Pritisnite stikalo za vklop/izklop na položaj za vklop.
Črpalka obratuje, a moč črpanja nenadoma pade	Konec sesalne gibke cevi ni v vodi.	→ Potopite konec sesalne gibke cevi globlje v vodo.
	Zamašen je sesalni filter ali varovalka, ki varuje pred povratnim tokom.	→ Očistite sesalni filter oz. zaporo povratnega toka.
	Netesnost na sesalni strani.	→ Odpravite netesnost.
	Zamašena turbina.	→ Sprostite turbino.
Nastajanje hrupa na področju hidravlike	Pri večjih pretokih (npr. odprti cevni izhod, brez priključene naprave) se lahko v hidravličnem območju črpalke pojavi povečan hrup. To je običajen pojav in ne povzroča okvare črpalke. Hrup lahko zmanjšate z manjšimi spremembami pretoka (npr. rahlo odpiranje/zapiranje priključne naprave).	



NAPOTEK: V primeru drugih napak se obrnite na svoje GARDENA servisno središče. Popravila smejo izvajati samo GARDENA servisna središča ter specializirani trgovci, pooblašeni od podjetja GARDENA.

7. TEHNIČNI PODATKI

Vrtna črpalka	Enota	Vrednost (art.-št. 9010)	Vrednost (art.-št. 9014)
Nazivna moč	W	600	800
Omrežna napetost	V (AC)	230	230
Omrežna frekvenca	Hz	50	50
Maks. količina črpanja	l/h	3000	3700
Maks. tlak / maks. višina črpanja	bar / m	3,5 / 35	4,1 / 41
Maks. samosesalna višina	m	7	7
Dovoljen notranji tlak (tlačna stran)	bar	6	6
Priključni kabel	m	1,5 (H07RN-F)	1,5 (H07RN-F)
Teža	kg	5,3	8,2
Raven zvočne moči $L_{WA}^{1)}$ izmerjena/zagotovljena	dB(A)	77 / 80	77 / 80
Negotovost $k_{WA}^{2)}$		3	2,36
Maks. temperatura medija	°C	35	35
Merilni postopek po: ¹⁾ RL 2000/14/EU ²⁾ ISO 4871			

8. PRIBOR/NADOMESTNI DELI

GARDENA sesalne cevi	Odporne pred upogibanjem in vakuumsko trdne, dobavljive kot metrsko blago art.-št. 1720/1721 (19 mm (3/4")/25 mm (1")), brez priključne armature ali fiksnega podaljška art.-št. 1411/1418 kompletno s priključnimi armaturami.
GARDENA sesalna cev-priključni del	Za priključek na sesalni strani. art.-št. 1723/1724

GARDENA priključni komplet za črpalko	Za priključek na tlačni strani.	art.-št. 1750/1752
GARDENA sesalni filter s protipovratno zaporo	Za sestavljanje cevi, ki jih kupite na meter.	art.-št. 1726/1727/1728
GARDENA črpalni predfilter	Posebno priporočljiv pri črpanju tekočine, ki vsebuje pesek.	art.-št. 1730/1731
GARDENA elektronsko tlačno izklopno stikalo	Avtomatsko vključi in izključi črpalko glede na tlak obratovanja. Preprečuje suhi tek črpalke.	art.-št. 1739
GARDENA sesalna cev za vrtno	Za vakuumski priključek črpalke na sesalno cev za vrtno ali na trde cevi – dolžina 0,5 m. Notranji navoj 33,3 mm (G 1) je na obeh straneh.	art.-št. 1729
GARDENA Oprema za plavajoče sesanje	Za sesanje pod površino vode brez umazanije.	art.-št. 1417
GARDENA priključni element črpalke	Za priključitev GARDENA vtičnega sistema na tlačni strani.	art.-št. 1745

9. GARANCIJA/SERVIS

9.1 Registracija izdelka:

Izdelek registrirajte na spletnem mestu [gardena.com/registration](https://www.gardena.com/registration).

9.2 Servis:

Trenutne kontaktni podatki našega servisa so na voljo na hrbtini strani in na spletu:

- Slovenija:
<https://www.gardena.com/si/servis-in-podpora/nasveti/kontakt/>

10. ODSTRANITEV

10.1 Odstranitev črpalke:

(v skladu z Direktivo 2012/19/EU)



Izdelka ne smete odstraniti v običajne gospodinjske odpadke. Odstraniti ga je treba v skladu z veljavnimi lokalnimi predpisi o varstvu okolja.

POMEMBNO!

→ Izdelek odstranite pri svojem krajevnem zbirališču odpadkov za recikliranje.

hr Vrtna pumpa

1. SIGURNOSNE NAPOMENE	25
2. MONTAŽA	26
3. RUKOVANJE	26
4. ODRŽAVANJE	27
5. SKLADIŠTENJE	27
6. OTKLANJANJE SMETNIJ	27
7. TEHNIČKI PODACI	27
8. PRIBOR/REZERVNI DIJELOVI	27
9. JAMSTVO/SERVIS	28
10. ODLAGANJE U OTPAD	28

Prijevod originalnih uputa.



Djeca starija od 8 godina, osobe sa smanjenim tjelesnim, osjetilnim ili mentalnim sposobnostima kao i one s nedostatnim iskustvom i znanjem smiju rukovati ovim proizvodom samo uz nadzor ili nakon upućivanja u njegovu sigurnu uporabu i možebitne povezane opasnosti. Djeca se ne smiju igrati proizvodom. Djeca ne smiju čistiti i održavati uređaj bez nadzora. Djeci mlađoj od 16 godina ne preporučujemo rad s proizvodom. Nikada ne upotrebljavajte proizvod ako ste umorni, bolesni ili pod utjecajem alkohola, droge ili lijekova.

Namjenska uporaba:

GARDENA Vrtna pumpa namijenjena je za crpljenje podzemne vode i kišnice, pitke vode i vode koja sadrži klor u privatnim okućnicama i vrtovima.

Radne tečnosti:

GARDENA vrtnom pumpom smije se pumpati samo voda.

Priilikom korištenja pumpe za pojačanje tlaka ne smije se prekoračiti maksimalno dozvoljeni unutrašnji tlak od 6 bara (tlačna strana). Previsoki izlazni tlak i tlak pumpe se zbrajaju.

- Primjer:** Tlak na ventilu za vodu = 2,5 bar, maksimalni tlak vrtno pumpe br. art. 9010 = 3,5 bar, ukupni tlak = 6,0 bar.

Proizvod nije namijenjen za dugotrajan rad (trajni optočni rad).



OPASNOST! Opasnost od nanošenja tjelesnih ozljeda!
→ Ne smiju se pumpati slana i onečišćena voda, nagrizajuće, lako zapaljive, agresivne ili eksplozivne tvari (kao npr. benzin, petrolej ili nitro-razrjeđivač), ulja, ulje za loženje kao ni živežne namirnice.

1. SIGURNOSNE NAPOMENE

VAŽNO!

Pažljivo pročitajte ove upute za uporabu i sačuvajte ih za kasnije.

Simboli na proizvodu:



Pročitajte upute za uporabu.

Opće sigurnosne napomene

Sigurnost pri radu s električnom strujom



OPASNOST! Strujni udar!

Opasnost od ozljeda električnom strujom.

→ Proizvod mora da se napaja strujom preko FI sklopke (RCD) s nominalnom okidnom strujom od najviše 30 mA.



OPASNOST! Opasnost od ozljeda!

Opasnost od ozljeda električnom strujom.

→ Izvucite strujni utikač proizvoda iz utičnice prije nego što započnete s radovima održavanja ili zamjenom komponenata. Pritom utičnica mora biti u Vašem vidnom polju.

Siguran rad

Temperatura vode ne smije preći 35 °C.

Pumpa se ne smije koristiti ako u vodi ima ljudi.

Tekućina se može zaprljati ako mazivo curi.

Zaštitna sklopka

Zaštitna termosklopka:

U slučaju preopterećenja pumpu isključuje ugrađena termička zaštitna sklopka motora. Nakon što se motor dovoljno ohladi, pumpa je opet spremna za rad.

Dodatne sigurnosne napomene

Sigurnost pri radu s električnom strujom



OPASNOST! Zastoj rada srca!

Ovaj proizvod pri radu stvara elektromagnetno polje. Ono pod određenim okolnostima može utjecati na način rada aktivnih ili pasivnih medicinskih implantata. Kako bi se umanjila opasnost od nastanka situacija u kojima su moguće teške ili smrtonosne ozljede, osobama s medicinskim implantatima preporučujemo da se prije uporabe ovog proizvoda posavjetuju sa svojim liječnikom i proizvođačem implantata.

Kabeli

Za minimalne poprečne presjeke produžnih kabela pogledajte sljedeću tablicu:

Napon	Duljina kabela	Poprečni presjek
230 – 240 V/50 Hz	do 20 m	1,5 mm ²
230 – 240 V/50 Hz	20 – 50 m	2,5 mm ²



OPASNOST! Strujni udar!

Opasnost od ozljeda električnom strujom.

→ Prije stavljanja izvan pogona i popravaka odvojite proizvod s napajanja.

Pumpa mora stajati stabilno i biti zaštićena od plavljenja i prevrtanja. Postavite pumpu na dovoljnoj udaljenosti (min. 2 m) od radne tekućine. Za dodatnu sigurnost možete postaviti odobren zaštitni uređaj diferencijalne struje.

→ Pitajte svog električara za savjet.

U slučaju oštećenja strujnog priključnog voda ovog uređaja, istog mora zamijeniti proizvođač, njegova servisna služba ili neka druga osoba odgovarajuće kvalifikacije, kako bi se izbjegle opasnosti.

Mrežni utikač i priključni mrežni kabel zaštitite od topline, ulja i oštrih rubova.

Ne prenosite pumpu vukući ju za kabel i ne koristite ga za izvlačenje utikača iz utičnice.

Ne izlažite pumpu kiši i ne koristite ju u vlažnoj ili mokroj okolini.

Redovno provjerite priključni vod.

Prije uporabe pumpe (posebno to vrijedi za mrežni kabel i mrežni utikač) uvijek provedite očevid.

Oštećenu pumpu ne smijete koristiti. U slučaju oštećenja pumpu obvezno odnesite na ispitivanje u ovlaštenu GARDENA servis.

Ako naše pumpe koristite u kombinaciji s generatorima, morate poštivati upozorenja koja navodi proizvođač generatora.

Osobna sigurnost



OPASNOST! Opasnost od gušenja!

Postoji opasnost od gutanja sitnih dijelova. Prilikom uporabe plastične vreće imajte na umu opasnost od gušenja kod male djece. Tijekom montaže držite malu djecu na dovoljnoj udaljenosti.



OPASNOST! Opasnost od ozljeda vrelom vodom!

Kod dužeg rada (> 5 min.) suprotno od zatvorene tlačne strane može se zagrijati voda u pumpi te dovesti do tjelesnih povreda izazvanih vrućom vodom.

→ Pustite pumpu nek radi maks. 5 minuta nasuprot zatvorene tlačne strane.

Ako nema dovoda vode na usisnoj strani može doći do zagrijavanja vode u pumpi, te prilikom izlaska vode do opekline vrućom vodom.

→ Isključite napajanje pumpe, ostavite neka se voda ohladi i prije ponovnog puštanja u rad, osigurajte dovod vode na usisnoj strani.

Kod priključivanja pumpe na vodoopskrbni sustav obavezno se pridržavajte lokalnih sanitarnih propisa kako biste izbjegli usisavanje u suprotnom smjeru vode koje nije za piće.

→ Za savjet pitajte svog vodoinstalatera.

Radi sprečavanja rada pumpe na suho, vodite računa da se kraj usisnog crijeva uvijek nalazi u transportnom.

→ Napunite pumpu tekućinom za ispušavanje prije svakog puštanja u rad do preljeva (oko 2 do 3 l!)

Pijesak i druge brusne tvari u protočnoj tekućini izazivaju brže trošenje i smanjuju učinak.

→ Upotrijebite predfilter pumpe ako voda sadržava pijesak.

Transport zaprljane vode npr. s kamenjem, iglicama jele itd. može dovesti do oštećenja na pumpi.

→ Nipošto nemojte ispušavati zaprljanu vodu.

2. MONTAŽA



OPASNOST! Opasnost od nanošenja tjelesnih ozljeda!

Postoji opasnost od ozljeda u slučaju nehotičnog pokretanja proizvoda.

→ Prije montaže odvojite proizvod s napajanja.

Postavljanje pumpe:

Mjesto postavljanja mora biti stabilno i suho i mora pružati pumpi stabilni dosjed.

→ Postavite pumpu na dovoljnoj udaljenosti (min. 2 m) od vode.

Pumpa se mora postaviti na mjestu s iznimno niskom razinom vlage u zraku i dostatnim provjetravanjem u području ventilacijskih proreza. Udaljenost od zidova mora biti najmanje 5 cm. Kroz ventilacijske proreze ne smije prodrijeti nikakva prljavština (npr. pijesak ili zemlja).

Plastične priključne nastavke na usisnoj i potisnoj strani smijete zatezati samo rukom.

Priključivanje crijeva na usisnoj strani [sl. A1]:

Na usisnoj strani ne upotrebljavajte kao crijevo za vodu sustav sa utičnim dijelovima!

→ Koristite na usisnoj strani usisno crijevo otporno na vakuum, kao što je npr. **GARDENA usisna garnitura br. art. 1411** ili **GARDENA usisno crijevo ukopane cijevi br. art. 1729**.

Kako bi se skratilo vrijeme ponovnog usisavanja, preporučujemo primjenu usisnog crijeva s blokadom povratnog toka, kojom se sprječava samostalno pražnjenje usisnog crijeva po isključivanju pumpe.

1. Uvijte priključni nastavak pumpe ② u priključak usisne strane ①.

2. Usisno crijevo ③ otporno na vakuum povežite preko priključnog nastavka pumpe ② i hermetički zatvorite.

3. Pri visinama usisavanja većim od 4 m: dodatno pričvrstite usisno crijevo ③ (npr. vežite ga za drveni stup).

Pumpa će biti rasterećena za težinu usisnog crijeva.

Priključivanje crijeva na potisnoj strani [sl. A2]:

Na priključku pumpe ④ postoji unutarnji navoj od 33,3 mm (G 1").

Za GARDENA utični sustav potreban je npr. GARDENA priključni nastavak pumpe br. art. 1745 (kod br. art. 9010 sadržan u isporuci).

Preko GARDENA utičnog sustava se mogu priključiti crijeva od 19 mm (3/4")/16 mm (5/8") i 13 mm (1/2").

Promjer crijeva	Priključak crpke	
13 mm (1/2")	GARDENA Komplet za priključak crpke	br. art. 1750
16 mm (5/8")	GARDENA Slavina GARDENA Komad za crijevo	br. art. 18202 br. art. 18216
19 mm (3/4")	GARDENA Komplet za priključak crpke	br. art. 1752

Optimalno iskorištenje snage pumpe postiže se priključivanjem crijeva od 19 mm (3/4") u spoju sa npr.

– **GARDENA garniturom za priključivanje pumpe br. art. 1752,**

ili crijeva od 25 mm (1") s

– **GARDENA navojnim spojem za brzo spajanje s vanjskim navojem, br. art. 7115** odnosno **priključkom za brzo spajanje crijeva br. art. 7103.**

1. **Samo za br. art. 9014:** upotrijebite brtvenu traku ⑥ na vanjskom navoju priključnog nastavka pumpe.

2. Uvijte priključni nastavak pumpe ② u priključak potisne strane ④ (samo kod art. 9010 sadržan u isporuci).

3. Povežite potisno crijevo ⑤ na priključni nastavak pumpe ②.

Kod paralelnog priključka više od jednog crijeva odnosno više od jednog priključnog uređaja preporučujemo primjenu

– **GARDENA 2-putnih ili 4-putnih razdjelnika, br. art. 8193/8194,**
GARDENA 2-putni ventil, br. art. 940,

koji se mogu naviti izravno na priključni nastavak pumpe ②.

3. RUKOVANJE



OPASNOST! Opasnost od nanošenja tjelesnih ozljeda!

Postoji opasnost od ozljeda u slučaju nehotičnog pokretanja proizvoda.

→ Prije priključivanja, namještanja i transporta odvojite proizvod s napajanja.

Pumpanje vode [sl. O1/O2]:



POZOR! Rad pumpe na suho.

→ Prije svakog puštanja u rad napunite pumpu vodom do preljeva (oko 2 do 5 l).

1. Rukom odvijte navojni zatvarač ⑥ na nazuvici za punjenje ⑦.

2. Ulijte vodu preko nazuvice za punjenje ⑦ sve do preljeva (oko 2 do 5 l).

3. Rukom zavijte navojni zatvarač ⑥ na nazuvici za punjenje ⑦ (nemojte se koristiti kliještima).

4. Otvorite eventualno postojeće zaporne ventile u potisnom crijevu (priključne uređaje, akvastop itd.).

5. Ispraznite preostalu vodu iz potisnog crijeva ⑤ kako bi se omogućilo ispuštanje zraka prilikom usisavanja.

6. Priključite pumpu na električno napajanje.

7. Držite potisno crijevo ⑤ okomito najmanje 1 m iznad pumpe, stisnite uključno/isključnu sklopku ⑧ i pričekajte da pumpa usisa.

→ **Isključite pumpu ako nakon približno 5 minuta ne crpi vodu (pritisakom na uključno/isključnu sklopku ⑧) (vidi 6. OTKLANJANJE SMETNJI).**

Navedena maksimalna visina samousisavanja od 7 m dostiže se samo kada se pumpa napuni preko nazuvice za punjenje ⑦ do preljeva, a potisno crijevo ⑤ pritom i tijekom prvog samousisavanja drži okrenuto prema gore tako da se voda ne može preko potisnog crijeva ⑤ izliti iz pumpe.

Korozija: Kućište pumpe br. art. 9014 je od lijevanog čelika. Stoga nakon kontakta s vodom može doći do stvaranja hrđe (što ne dovodi do oštećenja pumpe i time ne predstavlja razlog za reklamaciju). Kao posljedica toga nakon uključivanja na početku može doći do istjecanja vode sa sadržajem hrđe.

4. ODRŽAVANJE



OPASNOST! Opasnost od nanošenja tjelesnih ozljeda!
Postoji opasnost od ozljeda u slučaju nehotičnog pokretanja proizvoda.

→ Prije radova održavanja odvojite proizvod s napajanja.

Ispiranje pumpe:

Nakon pumpanja klorirane vode pumpa se mora isprati.

1. Pumpajte mlaku vodu (maks. 35 °C), eventualno uz dodatak blagog deterdženta (npr. sredstva za pranje suđa) tako da voda postane čista.
2. Ostatke odložite u otpad u skladu s odredbama mjerodavnog Zakona o zbrinjavanju otpada.

5. SKLADIŠTENJE

Stavljanje izvan funkcije [sl. S1]:

Pumpa nije otporna na mraz!

Proizvod morate čuvati izvan domašaja djece.

1. Odvojite pumpu s napajanja.
2. Eventualno zatvorite sve slavine na usisnoj strani.
3. Otvorite sva ispusna mjesta.
Potisna strana se potpuno rasterećuje.
4. Odvijte navojni zatvarač ⑥ na nazuvici za punjenje ⑦ i vijak za ispuštanje vode ⑨.
Pumpa se prazni.
5. Pumpu čuvajte na suhom, zatvorenom mjestu zaštićenom od mraza.

6. OTKLANJANJE SMETNJI



OPASNOST! Opasnost od nanošenja tjelesnih ozljeda!
Postoji opasnost od ozljeda u slučaju nehotičnog pokretanja proizvoda.

→ Prije popravaka odvojite proizvod s napajanja.

Skidanje radnog kola [sl. T1]:

Zbog prljavštine može se skidati i dobro uglavljeno radno kolo.

→ Odvijačem okrenite vratilo radnog kola ⑩.

Na taj se način skida dobro uglavljeno radno kolo.

Problem	Mogući uzrok	Pomoć
Pumpa radi, ali ne usisava	Propusni ili oštećeni usisni vod.	→ Provjerite je li usisno crijevo oštećeno i hermetički ga zatvorite.
	Pumpa nije napunjena vodom.	→ Napunite pumpu (vidi 3. RUKOVANJE).
	Ulivena tekućina za ispuštanje izlazi tijekom automatskog usisavanja preko crijeva priključenog na tlačnoj strani.	→ 1. Ponovo napunite pumpu (vidi 3. RUKOVANJE). 2. Pri ponovnom puštanju pumpe u rad držite potisno crijevo oko 1 m okomito iznad pumpe dok pumpa ne usisa.
	Apsolutno vakuumski nepropusni spoj ostvaruje se upotrebom usisnih crijeva tvrtke GARDENA (vidi 8. PRIBOR).	
	Spoj s navojem na nastavku za punjenje propušta.	→ Provjerite brtvu (po potrebi zamijenite) i zategnite navojni zatvarač (ne koristeći se kliještima).
	Zrak ne može izaći jer je tlačna strana zatvorena tj. postoji zaostala voda u tlačnom crijevu.	→ Otvorite zaporne ventile u potisnom crijevu (npr. prskalicu) odnosno ispraznite potisno crijevo.

Problem	Mogući uzrok	Pomoć
Pumpa radi, ali ne usisava	Nije poštivano potrebno vrijeme čekanja.	→ Uključite pumpu i pričekajte do 5 minuta.
	Usisni filter ili blokada usisavanja povratnog toka su zaglavljena u usisnom crijevu.	→ Očistite filter odnosno blokadu povratnog toka.
	Prevelika usisna visina.	→ Smanjite usisnu visinu.
	Kod ostalih problema s usisavanjem upotrijebite GARDENA usisna crijeva s blokadom povratnog toka (vidi 8. PRIBOR) i prije puštanja u rad pomoću nastavka za punjenje 7 dopunite tekućinom za ispuštanje.	
Pumpa se ne pokreće ili se tijekom rada neočekivano zaustavlja	Zaštitna termosklopka je zbog pregrijavanja isključila pumpu.	→ Uzmite u obzir maksimalnu temperaturu medija (35 °C).
	Pumpa bez struje.	→ Provjerite osigurače i strujne utične spojeve.
	Aktivirala se RCD sklopka (ZUDS).	→ Odvojite pumpu od napajanja električnom energijom i obratite se servisnoj službi GARDENA.
	Pumpa nije uključena.	→ Uključite uključno/isključno sklopku.
Pumpa radi, međutim, neočekivano se smanjuje učinkovitosti pumpanja	Kraj usisnog crijeva nije u vodi.	→ Uronite kraj usisnog crijeva dublje u vodu.
	Usisni filter ili zaustavljač povratnog toka je začepljen.	→ Očistite usisni filter odnosno blokadu povratnog toka.
	Propuštanje na usisnoj strani.	→ Zabrtvite mjesto propuštanja.
	Radno kolo je blokirano.	→ Otpustite radno kolo.

Stvaranje buke u području hidraulike
Kod velikih protoka (npr. kod otvorenog izlaza crijeva, bez priključnog uređaja) u području hidraulike crpke može doći do stvaranja zvuka. To je neproblematično i ne prouzrokuje oštećenje crpke. Zvuk se može ukloniti kroz vrlo malu promjenu protoka (npr. lagano otvaranje/zatvaranje priključnog uređaja).



NAPOMENA: U slučaju drugih smetnji obratite se servisnom centru tvrtke GARDENA. Popravke prepustite samo stručnjacima servisnih centara tvrtke GARDENA ili specijaliziranim prodavačima koje je za to ovlastila GARDENA.

7. TEHNIČKI PODACI

Vrtna pumpa	Jedinica	Vrijednost (br. art. 9010)	Vrijednost (br. art. 9014)
Nazivna snaga	W	600	800
Napon mreže	V (AC)	230	230
Frekvencija mreže	Hz	50	50
Maks. prijenosna količina	l/h	3000	3700
Maks. tlak / maks. visina pumpanja	bar / m	3,5 / 35	4,1 / 41
Maks. automatska usisna visina	m	7	7
Dopušteni unutarnji tlak (potisna strana)	bar	6	6
Priključni kabel	m	1,5 (H07RN-F)	1,5 (H07RN-F)
Težina	kg	5,3	8,2
Razina zvučne snage L_{WA}^1 izmjerena / zajamčena	dB(A)	77 / 80	77 / 80
Nepouzdanost k_{WA}^2		3	2,36
Maks. temperatura medija	°C	35	35

Mjerni postupak prema: ¹ RL 2000/14/EU ² ISO 4871

8. PRIBOR/REZERVNI DIJELOVI

GARDENA usisna crijeva tvrtke	Otporan na pregib i vakuum, po želji može se kupiti u metrima br. art. 1720/1721 (19 mm (3/4")-/25 mm (1")) bez priključnih armatura ili kao fiksna dužina br. art. 1411/1418 kompletno sa priključnim armaturama.	
GARDENA usisna crijeva – priključni elementi	Za priključak na usisnoj strani.	br. art. 1723/1724
GARDENA komplet za priključak na pumpu	Za priključak na tlačnoj strani.	br. art. 1750/1752
GARDENA usisni filter s blokadom povratnog toka	Kao oprema za usisna crijeva u metraži.	br. art. 1726/1727/1728

GARDENA predfilter za pumpe	Posebno je preporuča za transport medija koji sadrže pijesak.	br. art. 1730/1731
GARDENA elektronička tlačna spojka	Automatski uključuje i isključuje pumpu ovisno o pogonskom tlaku. Sa zaštitom od rada na suho.	br. art. 1739
GARDENA usisno crijevo za ručnu pumpu za vodu	Za vakuumski nepropusno priključivanje na pumpu ručne pumpe za vodu ili na krutu cijev. Dužine 0,5 m. S obostranim 33,3 mm, (G 1) unutarnjim navojem.	br. art. 1729
GARDENA Jedinica za plivajuće isisavanje	Za čisto usisavanje ispod razine vode.	br. art. 1417
GARDENA komad za priključak crpke	Za priključivanje GARDENA utičnog sustava na potisnoj strani.	br. art. 1745

9. JAMSTVO/SERVIS

9.1 Registracija proizvoda:

Registrirajte proizvod na [gardena.com/registration](https://www.gardena.com/registration).

9.2 Servis:

Trenutačne kontaktne informacije našeg servisa potražite na poledini i na mreži:

- Hrvatska: <https://www.gardena.com/hr/servis-podrska/savjeti/kontakt/>

10. ODLAGANJE U OTPAD

10.1 Odlaganje pumpe u otpad:

(prema Direktivi 2012/19/EU)



Nemojte odlagati proizvod u običan komunalni otpad. Morate ga zbrinuti sukladno važećim lokalnim propisima o zaštiti okoliša.

VAŽNO!

→ Neupotrebljiv proizvod predajte Vašem lokalnom reciklažnom odlagalištu.

sr Baštenska pumpa

1. BEZBEDNOSNE NAPOMENE	28
2. MONTAŽA	29
3. RUKOVANJE	29
4. ODRŽAVANJE	30
5. SKLADIŠTENJE	30
6. OTKLANJANJE GREŠAKA	30
7. TEHNIČKI PODACI	30
8. PRIBOR/REZERVNI DELOVI	30
9. GARANCIJA/SERVIS	31
10. ODLAGANJE U OTPAD	31

Prevod originalnog uputstva.



Deca starija od 8 godina, osobe sa smanjenim fizičkim, senzornim ili mentalnim sposobnostima kao i one s nedovoljnim iskustvom i znanjem smeju da rukuju ovim proizvodom samo uz nadzor ili nakon upućivanja u njegovu sigurnu upotrebu i eventualne povezane opasnosti. Deca ne smeju da se igraju sa proizvodom. Deca ne smeju da ga čiste i održavaju bez nadzora. Deci mlađoj od 16 godina ne preporučujemo korišćenje proizvoda. Zabranjeno je korišćenje proizvoda ako ste umorni, bolesni ili pod uticajem alkohola, droge ili lekova.

Namenska upotreba:

GARDENA Baštenska pumpa predviđena je za pumpanje podzemnih voda i kišnice, pitke vode iz vodovodnog sistema i hlorisane vode u privatnim okućnicama i baštama

Radne tečnosti:

GARDENA baštenskom pumpom sme se pumpati samo voda.

Prilikom primene pumpe za povećanje pritiska ne sme da se prekorači maksimalan dozvoljeni unutrašnji pritisak od 6 bara (sa strane pritiska). Izlazni pritisak koji se treba uvećati i pritisak pumpe se sabiraju.

- Primer:** Pritisak na slavini za vodu = 2,5 bara, maks. pritisak baštenske pumpe art. 9010 = 3,5 bara, ukupan pritisak = 6,0 bara.

Proizvod nije namenjen za dugotrajnu upotrebu (trajni cirkulacioni rad).



OPASNOST! Opasnost od telesnih povreda!

→ Ne smeju se pumpati slana i prljava voda, nagrizajuće, lako zapaljive, agresivne ili eksplozivne tečnosti (kao npr. benzin, petroleji ili nitro-razređivač), ulja, mazut i prehrambene namirnice.

1. BEZBEDNOSNE NAPOMENE

VAŽNO!

Pažljivo pročitajte ovo uputstvo za upotrebu i sačuvajte ga za kasnije.

Simboli na proizvodu:



Pročitajte uputstvo za rad.

Opšte bezbednosne napomene

Bezbednost pri radu s električnom strujom



OPASNOST! Strujni udar!

Opasnost od povreda usled strujnog udara.

→ Proizvod mora da se napaja strujom preko FI sklopke (RCD) sa nominalnom okidnom strujom od najviše 30 mA.



OPASNOST! Opasnost od povreda!

Opasnost od povreda usled strujnog udara.

→ Proizvod odvojite od strujne mreže pre nego što započnete sa radovima održavanja ili zamenom komponenti. Pri tome utičnica mora da bude u Vašem vidnom polju.

Siguran rad

Temperatura vode ne sme da pređe 35 °C.

Pumpa ne sme da se koristi ako ima nekoga u vodi.

Tečnost može da se zaprija ako mazivo curi.

Zaštitna sklopka

Zaštitni termoprekidač:

U slučaju preopterećenja pumpu isključuje ugrađena termička zaštitna sklopka motora. Nakon što se motor dovoljno ohladi, pumpa je ponovo spremna za rad.

Dodatne bezbednosne napomene

Bezbednost pri radu s električnom strujom



OPASNOST! Zastoj rada srca!

Oko proizvoda se tokom rada stvara elektromagnetsko polje. Pod određenim okolnostima ono može da utiče na način rada aktivnih ili pasivnih medicinskih implantata. Kako bi se umanjila opasnost od nastanka situacija u kojima su moguće teške ili čak smrtonosne povrede, osobama sa medicinskim implantatima preporučujemo da se pre korišćenja ovog uređaja posavetuju sa svojim lekarom i proizvođačem implantata.

Kablovi

Za minimalne poprečne preseke produžnih kablova pogledajte sledeću tabelu:

Napon	Dužina kabela	Poprečni presek
230 – 240 V/50 Hz	do 20 m	1,5 mm ²
230 – 240 V/50 Hz	20 – 50 m	2,5 mm ²



OPASNOST! Strujni udar!

Opasnost od povreda usled strujnog udara.

→ Pre stavljanja van pogona i popravki odvojite proizvod sa napajanja.

Pumpa mora da se postavi tako da bude stabilna, zaštićena od plavljenja i prevrtanja. Postavite pumpu na dovoljnom razmaku (min. 2 m) od radne tečnosti. Radi povećanja sigurnosti može da se koristi odobren zaštitni uređaj diferencijalne struje.

→ Konsultujte u vezi s tim nadležnog električara.

Zamena oštećenog priključnog strujnog kabela mora se prepustiti proizvođaču, njegovoj servisnoj službi ili nekoj drugoj osobi odgovarajuće kvalifikacije, kako bi se izbegle opasnosti.

Utikače i priključne kablove ne izlažite visokim temperaturama i zaštitite ih od ulja i oštrih ivica.

Nemojte prenositi pumpu držeći je za kabl, a isto tako nemojte izvlačiti utikač iz utičnice povlačeći za kabl.

Pumpu nemojte izlagati kiši i ne koristite je u vlažnom ili mokrom okruženju.

Redovno proveravajte priključni kabl.

Pre svakog korišćenja uvek vizuelno proverite stanje pumpe (naročito strujnog kabla i utikača).

Oštećena pumpa se ne sme koristiti. U slučaju oštećenosti prepustite pumpu na kontrolu servisnoj službi preduzeća GARDENA.

Ukoliko naše pumpe koristite u kombinaciji sa generatorima, morate da poštujete upozorenja koja navodi proizvođač generatora.

Lična bezbednost



OPASNOST! Opasnost od gušenja!

Sitniji delovi mogu lako da se progutaju. Postoji opasnost od gušenja male dece plastičnom kesom. Tokom montaže držite malu decu na dovoljnoj udaljenosti.



OPASNOST! Opasnost od povreda vrelom vodom!

Pri dužem radu (> 5 min.) sa zatvorenom potisnom stranom voda u pumpi se može zagrejati tako da su moguće povrede izazvane vrelom vodom.

→ Pumpa se sme ostavljati da radi sa zatvorenom potisnom stranom najviše 5 minuta.

U slučaju da dovod vode na usisnoj strani nedostaje, voda u pumpi se može ugrijati toliko da na izlazu može izazvati povrede.

→ Pomoću glavnog strujnog osigurača odvojite pumpu s mreže, ostavite vodu da se ohladi i osigurajte pre ponovnog uključivanja usisnu stranu dovoda vode.

Prilikom priključivanja pumpe na sistem za vodosnabdevanje neophodno je poštovati lokalne sanitarne propise, kako bi se sprečilo povratno usisavanje vode koja nije za piće.

→ Konsultujte u vezi s tim sanitarnog inspektora.

Za sprečavanje rada pumpe na suvo pazite na to da se kraj usisnog creva uvek nalazi u radnom medijumu.

→ Pre svakog puštanja u rad napunite pumpu radnim medijumom do preliva (oko 2 do 3 l)!

Pesak i ostale zrnaste materije u radnom medijumu prouzrokuju brže habanje i smanjenje učinka.

→ Ako u vodi ima peska, koristite pumpu sa predfilterom.

Pumpanje vode zaprljane npr. kamenjem, iglicama četinarskog drveća itd. može oštetiti pumpu.

→ Nemojte pumpati zaprljanu vodu.

2. MONTAŽA



OPASNOST! Opasnost od telesnih povreda!

Postoji opasnost od povreda u slučaju nehotičnog pokretanja proizvoda.

→ Pre nego što ga montirate, odvojite proizvod sa napajanja.

Postavljanje pumpe:

Mesto postavljanja mora biti čvrsto i suvo i omogućavati pumpi siguran položaj.

→ Postavite pumpu na dovoljnom razmaku (min. 2 m) od vode.

Pumpa se mora postaviti na mestu sa niskom vlažnosti i dovoljnom cirkulacijom vazduha u oblasti ventilacionih proreza. Udaljenost od zidova mora iznositi najmanje 5 cm. Kroz ventilacione proreze ne sme ulaziti prljavština (npr. pesak ili zemlja).

Plastične priključne nastavke na usisnoj i potisnoj strani smete da zatežete samo rukom.

Priključivanje creva na usisnoj strani [sl. A1]:

Ne koristite na usisnoj strani utična creva za vodu!

→ Koristite na usisnoj strani usisno crevo otporno na vakuum, kao što je npr. **GARDENA usisna garnitura art. 1411** ili **GARDENA usisno crevo ukopane cevi art. 1729**.

Kako bi se smanjilo vreme ponovnog usisavanja, preporučujemo korišćenje usisnog creva sa blokadom povratnog toka, kojom se sprečava samostalno pražnjenje usisnog creva po isključivanju pumpe.

1. Uvijte priključni nastavak pumpe ② u priključak usisne strane ①.
2. Spojite usisno crevo ③ otporno na vakuum na priključni nastavak pumpe ② i zavijte ga tako da ne propušta vazduh.
3. Pri visinama usisavanja većim od 4 m: dodatno pričvrstite usisno crevo ③ (npr. vežite ga za drveni stub).
Time se pumpa oslobađa težine usisnog creva.

Priključivanje creva na potisnoj strani [sl. A2]:

Na priključku pumpe ④ postoji unutrašnji navoj od 33,3 mm (G 1").

Za GARDENA utični sistem potreban je npr. GARDENA priključni nastavak pumpe art. 1745 (kod art. 9010 sadržan u isporuci).

Preko GARDENA utičnog sistema mogu se priključiti creva od 19 mm (3/4")-/16 mm (5/8") i 13 mm (1/2").

Prečnik creva	Priključak pumpe	
13 mm (1/2")	GARDENA Komplet za priključivanje pumpi	art. 1750
16 mm (5/8")	GARDENA Ventil GARDENA Kratki crevni priključak	art. 18202 art. 18216
19 mm (3/4")	GARDENA Komplet za priključivanje pumpi	art. 1752

Optimalno iskorišćenje snage pumpe postiže se priključivanjem creva od 19 mm (3/4") u spoju sa npr.

– GARDENA garniturom za priključivanje pumpe art. 1752,

ili creva od 25 mm (1") sa

– GARDENA navojnim spojem za brzo spajanje sa spoljašnjim navojem, art. 7115 odnosno priključkom za brzo spajanje creva art. 7103.

1. Samo za art. 9014: koristite zaptivnu traku ① na spoljašnjem navoju priključnog nastavka pumpe.
2. Uvijte priključni nastavak pumpe ② u priključak potisne strane ④ (samo kod art. 9010 sadržan u isporuci).
3. Spojite potisno crevo ⑤ sa priključnim nastavkom pumpe ②.

Kod paralelnog priključka više od jednog creva odnosno više od jednog priključnog uređaja preporučujemo korišćenje

– GARDENA 2-putnih ili 4-putnih razvodnika, art. 8193/8194, GARDENA 2-putni ventil, art. 940,

koji se mogu naviti direktno na priključni nastavak pumpe ②.

3. RUKOVANJE



OPASNOST! Opasnost od telesnih povreda!

Postoji opasnost od povreda u slučaju nehotičnog pokretanja proizvoda.

→ Pre priključivanja, podešavanja ili transporta odvojite proizvod sa napajanja.

Pumpanje vode [sl. O1/O2]:



PAŽNJA! Rad pumpe na suvo!

→ Pre svakog puštanja u rad napunite pumpu vodom do preliva (oko 2 do 5 l).

1. Rukom odvijte navojni zatvarač ⑥ na nazuvici za punjenje ⑦.
 2. Ulijte vodu preko nazuvice za punjenje ⑦ sve do preliva (oko 2 do 5 l).
 3. Rukom zavijte navojni zatvarač ⑥ na nazuvici za punjenje ⑦ (nemojte koristiti klešta).
 4. Otvorite eventualno postojeće blokirne ventile u potisnom crevu (priključne uređaje, akvastop itd.).
 5. Ispustite preostalu vodu iz potisnog creva ⑤ kako bi se omogućilo ispuštanje vazduha prilikom usisavanja.
 6. Priključite pumpu na električno napajanje.
 7. Držite potisno crevo ⑤ uspravno najmanje 1 m iznad pumpe, pritisnite uključno/isključni prekidač ⑧ i sačekajte da pumpa usisa.
- Ako pumpa nakon približno 5 minuta ne prenosi vodu, isključite je (pritiskom na uključno/isključni prekidač ⑧) (vidi 6. OTKLANJANJE GREŠAKA).

Navedena maksimalna visina samousisavanja od 7 m dostiže se samo kada se pumpa napuni preko nazuvice za punjenje ⑦ do preliva, a potisno crevo ⑤ pritom i tokom prvog samousisavanja drži okrenuto prema gore tako da voda ne može preko potisnog creva ⑤ da se izlije iz pumpe.

Korozija: Kućište pumpe art. 9014 je od livenog čelika. Stoga nakon kontakta sa vodom može doći do stvaranja rđe (što ne dovodi do oštećenja pumpe i time ne predstavlja razlog za reklamaciju). Kao posledica toga nakon uključivanja na početku može doći do isticanja vode sa sadržajem rđe.

4. ODRŽAVANJE



OPASNOST! Opasnost od telesnih povreda!

Postoji opasnost od povreda u slučaju nehotičnog pokretanja proizvoda.

→ Pre radova održavanja odvojite proizvod sa napajanja.

Ispiranje pumpe:

Nakon pumpanja hlorisane vode pumpa se mora isprati.

1. Pumpajte mlaku vodu (maks. 35 °C), eventualno uz dodatak blagog deterdženta (npr. sredstva za pranje posuđa), dok voda ne postane čista.
2. Ostatke odložite u otpad u skladu sa odredbama merodavnog Zakona o uklanjanju otpada.

5. SKLADIŠTENJE

Za vreme nekorišćenja [sl. S1]:

Pumpa nije otporna na mraz!

Proizvod morate da čuvate van domašaja dece.

1. Odvojite pumpu s napajanja.
2. Eventualno zatvorite sve slavine na usisnoj strani.
3. Otvorite sva ispusna mesta.
Potisna strana se potpuno rasterećuje.
4. Odvijte navojni zatvarač ⑥ na nazuvici za punjenje ⑦ i zavrtanj za ispuštanje vode ⑨.
Pumpa se prazni.
5. Pumpu čuvajte na suvom, zatvorenom prostoru zaštićenom od mraza.

6. OTKLANJANJE GREŠAKA



OPASNOST! Opasnost od telesnih povreda!

Postoji opasnost od povreda u slučaju nehotičnog pokretanja proizvoda.

→ Pre popravki odvojite proizvod sa napajanja.

Otpuštanje radnog kola [sl. T1]:

Radno kolo koje se zbog prijavštine zaglavilo može se otpustiti.

→ Odvijanjem okrenite vratilo radnog kola ⑩.
Time se otpušta zaglavljeno radno kolo.

Problem	Mogući uzroci	Pomoć
Pumpa radi, ali ne usisava	Usisno crevo je nezaptivano ili oštećeno.	→ Proverite da li je usisno crevo oštećeno i zatvorite ga tako da ne propušta vazduh.
	Pumpa nije napunjena vodom.	→ Napunite pumpu (vidi 3. RUKOVANJE).
	Ulivena tečnost za pumpanje se prilikom postupka samousisavanja ispušta preko priključnog creva na potisnoj strani.	→ 1. Ponovo napunite pumpu (vidi 3. RUKOVANJE). 2. Pri ponovnom puštanju pumpe u rad držite potisno crevo oko 1 m uspravno iznad pumpe dok pumpa ne usisa.
	Apsolutno hermetički spoj se postiže korišćenjem GARDENA usisnih creva (vidi 8. PRIBOR).	
	Navojni zatvarač na nazuvici za punjenje propušta.	→ Proverite zaptivku (po potrebi zamenite) i zategnite navojni zatvarač (ne koristeći klešta).
	Vazduh ne može da izađe, jer je potisna strana zatvorena ili u hidrauličkom crevu ima još vode.	→ Otvorite blokirne ventile u potisnom crevu (npr. prskalicu) odnosno ispraznite potisno crevo.
	Nije ispoštovano vreme čekanja.	→ Uključite pumpu i sačekajte do 5 minuta.
	Začepljen usisni filter ili blokada povratnog toka u usisnom crevu.	→ Očistite filter odnosno blokadu povratnog toka.
	Prevelika usisna visina.	→ Smanjite usisnu visinu.
	U slučaju ostalih problema pri usisavanju koristite GARDENA usisna creva sa blokadom povratnog toka (vidi 8. PRIBOR) i pre puštanja u pogon kroz nazuvicu za punjenje ulijte radni medijum.	

Problem	Mogući uzroci	Pomoć
Pumpa ne radi ili se tokom rada iznenada zaustavlja	Zaštitni termoprekidač je zbog pregrevanja isključio pumpu.	→ Uzmite u obzir maksimalnu temperaturu fluida (35 °C).
	Pumpa je bez struje.	→ Proverite osigurače i strujne utične spojeve.
	Aktivirao se zaštitni uređaj diferencijalne struje (struja greške).	→ Odvojite pumpu od napajanja električnom energijom i obratite se servisnoj službi preduzeća GARDENA.
	Pumpa nije uključena.	→ Uključite uključno/isključni prekidač.
Pumpa radi, ali se snaga pumpe iznenada smanjuje	Kraj usisnog creva nije u vodi.	→ Uronite kraj usisnog creva dublje u vodu.
	Začepljen usisni filter ili blokada povratnog toka.	→ Očistite usisni filter odnosno blokadu povratnog toka.
	Nezaptivano mesto na usisnoj strani.	→ Zatvorite mesto propuštanja.
	Radno kolo blokira.	→ Otpustite radno kolo.
Stvaranje buke u području hidraulike	U slučaju velikih protoka (npr. otvoren izlaz creva, rad bez priključnog uređaja) u hidraulici pumpe može doći do stvaranja šumova. To ne predstavlja nikakvu grešku niti dovodi do oštećenja pumpe. Šumovi se mogu eliminisati neznačajnom promenom protoka (kratkotrajnim otvaranjem i zatvaranjem priključnog uređaja).	



NAPOMENA: U slučaju drugih smetnji obratite se servisnom centru preduzeća GARDENA. Popravke prepustite samo stručnjacima servisnih centara preduzeća GARDENA ili specijalizovanim prodavcima koje je u tu svrhu ovlastila GARDENA.

7. TEHNIČKI PODACI

Baštenska pumpa	Jedinica	Vrednost (art. 9010)	Vrednost (art. 9014)
Nominalna snaga	W	600	800
Napon el. mreže	V (AC)	230	230
Frekvencija el. mreže	Hz	50	50
Maks. protok	l/h	3000	3700
Maks. pritisak / maks. visina pumpanja	bar / m	3,5 / 35	4,1 / 41
Maks. visina samousisavanja	m	7	7
Dozvoljeni unutrašnji pritisak (na potisnoj strani)	bar	6	6
Priključni kabl	m	1,5 (H07RN-F)	1,5 (H07RN-F)
Težina	kg	5,3	8,2
Nivo zvučne snage L_{WA}^1 izmeren/garantovan	dB(A)	77 / 80	77 / 80
Nepouzdanost k_{WA}^2		3	2,36
Maks. temperatura medijuma	°C	35	35

Merni postupak prema: ¹ RL 2000/14/EU ² ISO 4871

8. PRIBOR/REZERVNI DELOVI

GARDENA usisna creva	Otporna na prelome i na vakuum, po želji isporučiva i kao metarska roba art. 1720/1721 (19 mm (3/4")/25 mm (1")) bez priključnih armatura ili kao roba fiksne dužine art. 1411/1418 zajedno sa priključnim armaturama.	
GARDENA priključak usisnog creva	Za priključivanje na usisnoj strani.	art. 1723/1724
GARDENA garnitura za priključivanje pumpe	Za priključivanje na potisnoj strani.	art. 1750/1752
GARDENA usisni filter sa blokadom povratnog toka	Za opremanje metarskih usisnih creva.	art. 1726/1727/1728
GARDENA predfilter za pumpu	Naročito preporučujemo za pumpanje tečnosti koje sadrže pesak.	art. 1730/1731
GARDENA elektronski pokretački taster	U zavisnosti od radnog pritiska automatski uključuje i isključuje pumpu. Sa zaštitom od rada na suvo.	art. 1739
GARDENA usisno crevo ukopane cevi	Uz priključak otporan na vakuum za pumpu na ukopanim ili krutim cevima. Dužina 0,5 m. Sa obostranim unutrašnjim navojem od 33,3 mm (G 1).	art. 1729

GARDENA Jedinica za plivajuće isisavanje	Za čisto usisavanje ispod površine vode.	art. 1417
GARDENA Pump Connection Piece	Za priključivanje GARDENA utičnog sistema na potisnoj strani.	art. 1745

9. GARANCIJA/SERVIS

9.1 Registracija proizvoda:

Registrujte proizvod na stranici gardena.com/registration.

9.2 Servis:

Pronađite aktuelne kontakt informacije našeg servisnog centra na zadnjoj stranici i na mreži:

- <https://www.gardena.com/int/support/advice/contact/>

10. ODLAGANJE U OTPAD

10.1 Odlaganje pumpe u otpad:

(u skladu sa Direktivom 2012/19/EU)



Proizvod ne sme da se baci u običan komunalni otpad. Morate da ga odložite u skladu sa važećim lokalnim propisima o zaštiti životne sredine.

VAŽNO!

→ Rashodovan proizvod predajte Vašem lokalnom reciklažnom odlagalištu.

uk Садовий насос

1. ВКАЗІВКИ З ТЕХНІКИ БЕЗПЕКИ	31
2. МОНТАЖ	32
3. ОБСЛУГОВУВАННЯ	32
4. ДОГЛЯД	33
5. ЗБЕРІГАННЯ	33
6. УСУНЕННЯ НЕСПРАВНОСТЕЙ	33
7. ТЕХНІЧНІ ХАРАКТЕРИСТИКИ	33
8. КОМПЛЕКТУЮЧІ/ЗАПЧАСТИНИ	34
9. ГАРАНТІЯ/СЕРВІСНЕ ОБСЛУГОВУВАННЯ	34
10. УТИЛІЗАЦІЯ	34

Це переклад оригіналу інструкції.



Діти віком від 8 років і старші, а також особи з обмеженими фізичними, сенсорними або розумовими здібностями або з відсутністю досвіду й знань можуть використовувати даний виріб, якщо вони перебувають під доглядом або пройшли інструктаж з безпечно-го використання виробу й розуміють пов'язані із цим ризики. Дітям забороняється гратися з виробом. Чищення та технічне обслуговування, виконуване користувачем, не повинні проводитися дітьми без нагляду. Ми рекомендуємо використання виробу підлітками тільки після досягнення 16 років. Не використовуйте пристрій, якщо ви втомлені, хворі, чи перебуваєте під впливом наркотиків, алкоголю, медикаментів.

Належне застосування:

GARDENA Садовий насос може застосовуватися для відкачування ґрунтових та дощових вод, водопровідної води та хлорованої води на присадибних і дачних ділянках.

Рідини, що перекачуються:

За допомогою GARDENA садового насоса дозволяється відкачувати тільки воду.

При застосуванні насоса для підвищення тиску не дозволяється перевищувати максимальний допустимий внутрішній тиск 6 бар (зі сторони нагнітання). Тиск у мережі й тиск насоса складаються.

– **Приклад:** тиск у водопровідному крані = 2,5 бар, макс. тиск садового насоса арт. 9010 = 3,5 бар, загальний тиск = 6,0 бар.

Виріб не призначений для тривалої експлуатації (тривала циркуляція).



НЕБЕЗПЕКА! Небезпека отримання травми!

→ Не можна відкачувати солону воду, брудну воду, їдкі, легко займисті або вибухонебезпечні речовини (наприклад, бензин, гас, нітророзчинник), масла, мазут і продукти харчування.

1. ВКАЗІВКИ З ТЕХНІКИ БЕЗПЕКИ

ВАЖЛИВО!

Ретельно прочитайте цю інструкцію з експлуатації та збережіть її, щоб при необхідності можна було звернутися до неї.

Символи на виробі:



Прочитайте інструкцію з експлуатації.

Загальні вказівки з техніки безпеки

Електробезпека



НЕБЕЗПЕКА! Ураження струмом!

Небезпека отримання травми через ураження електричним струмом.

→ Живлення виробу має здійснюватися через пристрій захисного відключення (ПЗВ), номінальний залишковий струм спрацьовування якого не повинен перевищувати 30 мА.



НЕБЕЗПЕКА! Небезпека отримання травм!

Небезпека отримання травми через ураження електричним струмом.

→ Від'єднайте виріб від електромережі перед проведенням робіт з технічного обслуговування або заміною деталей. Відключена вилка повинна знаходитися у вашому полі зору.

Безпечна експлуатація

Уникайте перевищення температури води 35 °С.

Не можна використовувати насос, якщо у воді знаходяться люди.

Забруднення рідини може відбутися через просочування змащувальних речовин.

Захисний вимикач

Тепловий захисний вимикач:

При перевантаженні насос відключиться через вбудований термозахист мотора. Після достатнього охолодження мотора насос знову готовий до експлуатації.

Додаткові вказівки з техніки безпеки

Електробезпека



НЕБЕЗПЕКА! Зупинка серця!

Цей виріб під час експлуатації створює електромагнітне поле. Це поле при певних умовах може створити негативний вплив на роботу активних або пасивних медичних імплантів. Щоб виключити небезпечні ситуації, які можуть призвести до тяжких або смертельних травм, особи з медичним імплантом перед використанням цього виробу повинні проконсультуватися зі своїм лікарем і виробником імплантату.

Кабель

При використанні подовжувальних кабелів вони повинні відповідати мінімальним перетинам в нижченаведеній таблиці:

Напруга	Довжина кабелю	Перетин
230 – 240 В/50 Гц	До 20 м	1,5 мм ²
230 – 240 В/50 Гц	20 – 50 м	2,5 мм ²



НЕБЕЗПЕКА! Ураження струмом!

Небезпека отримання травми через ураження електричним струмом.

→ Від'єднайте виріб від електромережі перед тим, як виводити з експлуатації, проводити роботи з технічного обслуговування або усувати несправності.

Насос повинен бути встановлений стійко й захищений від затоплення й падіння у воду. Встановити насос на безпечній відстані (мінім. 2 м) від рідини, що перекачується. Як додатковий засіб забезпечення безпеки допускається застосовувати пристрій захисного відключення, який спрацьовує при виникненні струму витoku.

sr

uk

→ Будь ласка, проконсультуйтеся з електриком.

У разі необхідності заміни електричного кабелю, її має виконати виробник або його представник, щоб уникнути загрози безпеці.

Сітвову вилку та провід підключення до електромережі захищайте від спеки, попадання масел та стикання з гострими кантами.

Не піднімайте насос за кабель і не висмикуйте вилку з розетки за кабель.

Не залишайте насос під дощем і не використовуйте його у вологому середовищі.

Регулярно перевіряйте з'єднувальний провід.

Перед користуванням завжди слід здійснити візуальний контроль насоса (перш за все проводу підключення до мережі та сітрової вилки).

Пошкодженим насосом користуватися не дозволяється. У випадку пошкодження насос обов'язково перевірте в сервісному центрі GARDENA.

При використанні нашого насоса з генератором необхідно дотримуватися вказівок виробника генератора.

Особиста безпека



НЕБЕЗПЕКА! Небезпека задухи!

Дрібні частини можуть бути легко проковтнуті. Через поліетиленовий мішок існує небезпека задухи для маленьких дітей. Не допускайте маленьких дітей до місця збірки.



НЕБЕЗПЕКА! Небезпека отримання травми внаслідок контакту з гарячою водою!

При тривалій роботі (> 5 хв.) із закритою напірною стороною, вода в насосі може нагрітися так, що може нанести травму.

→ Не допускайте роботи насоса при закритій напірній стороні більше 5 хвилин.

За відсутності подачі води з боку всмоктування вода в насосі може нагріватися, тому гаряча вода, що витікає на виході, може завдати травми.

→ Від'єднайте насос від електромережі, дайте воді охолонути та перед повторним пуском забезпечте подачу води з боку всмоктування.

При приєднанні насоса до водогінної мережі необхідно дотримувати місцевих санітарних норм і правил, щоб не допустити зворотного усмоктування у водопровід не питної води.

→ Будь ласка, проконсультуйтеся із санітарним лікарем.

Для запобігання роботі в суху, будь ласка, звертайте увагу, на те, щоб кінець всмоктувального шланга завжди перебував у рідині що перекачується.

→ Перед кожним введенням в експлуатацію повністю заливайте насос рідиною, що перекачується (приблизно від 2 до 3 л.)!

Пісок та інші абразивні речовини в робочій рідині призводять до прискореного зношення та зменшення продуктивності.

→ При відкачуванні води з вмістом піску застосуйте фільтр попереднього очищення.

Перекачування забрудненої води, наприклад, із брудом, хвою й т.д. може привести до пошкодження насоса.

→ Не перекачайте насосом брудну воду.

uk

2. МОНТАЖ



НЕБЕЗПЕКА! Небезпека отримання травми!

Небезпека отримання травм при неавтоматичному запуску виробу.

→ Перш ніж збирати виріб, відключіть виріб від електроживлення.

Установка насоса:

Місце установки насоса повинне бути твердим, сухим і забезпечувати надійну установку насоса.

→ Встановити насос на безпечній відстані (мінім. 2 м) від води.

Насос необхідно встановлювати в місці з незначительною вологістю повітря і достаточною вентиляцією в області вентиляційного отвору. Расстояние до стенок должно составлять не менее 5 см. Через вентиляционное отверстие не должен всасываться мусор (например, песок или земля).

Пластмасові насадки для підключення до насоса з напірної сторони і зі сторони нагнітання можна затягувати лише рукою.

Приєднання шланга зі сторони всмоктування [зобр. A1]:

Не застосовуйте на усмоктувальній стороні гумові шланги!

→ Використовуйте зі сторони всмоктування вакуумщільний всмоктувальний шланг, наприклад, **GARDENA шланг забірний арт. 1411** або **GARDENA всмоктувальний шланг для забірної свердловини арт. 1729**.

Для скорочення часу повторного всмоктування, ми рекомендуємо застосовувати всмоктувальний шланг зі зворотним клапаном, що запобігає мимовільному спорожнюванню всмоктувального шланга після виключення насоса.

1. Вкрутіть насадку для підключення до насоса ② в патрубок зі сторони всмоктування ①.
2. З'єднайте вакуумщільний всмоктувальний шланг ③ з насадкою для підключення до насоса ② і загвинтіть герметично.
3. Якщо висота всмоктування перевищує 4 м: закріпіть всмоктувальний шланг ③ (наприклад, прив'яжіть до дерев'яного кілочка). *Насос буде розвантажений від ваги заповненого водою шланга.*

Приєднання шланга з напірної сторони [зобр. A2]:

Патрубок насоса ④ має 33,3 мм (G 1") внутрішню різьбу.

Для GARDENA з'єднувальної системи потрібна GARDENA насадка для підключення до насоса арт. 1745 (в арт. 9010 входить до поставки).

За допомогою сполучної системи GARDENA можуть бути підключені 19 мм (3/4")/16 мм (5/8") і 13 мм (1/2")-шланги.

Діаметр шланга	Приєднання до насоса	
13 мм (1/2")	GARDENA Комплект для приєднання	арт. 1750
16 мм (5/8")	GARDENA Насадка для крана GARDENA Насадка для шланга	арт. 18202 арт. 18216
19 мм (3/4")	GARDENA Комплект для приєднання	арт. 1752

Оптимізоване застосування потужності насоса досягається завдяки підключенню (3/4")-шлангів діаметром 19 мм в поєднанні з, наприклад,

– **GARDENA набором з'єднувальних елементів для насосів, арт. 1752,**

або (1")-шлангів діаметром 25 мм

– **в поєднанні з GARDENA деталлю з зовнішньою різьбою для швидкороз'ємної муфти, арт. 7115/коннектором для швидкого підключення шлангів, арт. 7103.**

1. **Тільки для арт. 9014:** використовуйте ущільнюючу стрічку ⑧ на зовнішній різьбі насадки для підключення до насоса.
2. Вкрутіть насадку для підключення до насоса ② в патрубок з напірної сторони ④ (входить в постачання лише в арт. 9010).
3. З'єднайте напірний шланг ⑤ з насадкою для підключення до насоса ②.

У разі паралельного підключення більше, ніж одного шланга/пристрою ми рекомендуємо використовувати

– **GARDENA 2-або 4 – каналний розподільник арт. 8193/8194, GARDENA 2-ходовий клапан арт 940,**

які нагвинчуються безпосередньо на насадку для підключення до насоса ②.

3. ОБСЛУГОВУВАННЯ



НЕБЕЗПЕКА! Небезпека отримання травми!

Небезпека отримання травм при неавтоматичному запуску виробу.

→ Перш ніж підключати, регулювати або транспортувати виріб, відключіть виріб від електроживлення.

Перекачування води [зобр. O1/O2]:



УВАГА! Робота насоса в суху!

→ Перед кожним введенням насоса в експлуатацію наповнюйте його водою до переповнення (близько 2-5 л).

1. Відкрутіть рукою різьбову пробку ⑥ на наливному патрубку ⑦.
2. Залийте воду через наливний патрубок ⑦ до переповнення (близько 2-5 л).
3. Закрутіть рукою різьбову пробку ⑥ на наливному патрубку ⑦ (не використовувати плоскогубці).
4. Відкрийте наявні запірні вентиля у напірному трубопроводі (підключені прибори, аквастоп, і т.п.).
5. Злийте з напірного шланга ⑤ воду, що залишилася, щоб при всмоктуванні могло виходити повітря.

- Підключіть насос до мережі електроживлення.
- Підніміть напірний шланг ⑤ вертикально над насосом на висоту не менше 1 м, натисніть вимикач Увімк./Вимк. ⑧ і зачекайте, поки насос не засмокче рідину.

→ Якщо через приблизно 5 хвилин насос не відкачує воду, відключіть насос (натиснувши вимикач Увімк./Вимк. ⑧) (див. 6. УСУНЕННЯ НЕСПРАВНОСТЕЙ).

Задана максимальна глибина самовсмоктування в 7 м досягається лише тоді, коли насос наповнений через наливний патрубок ⑦ до переповнювання, а напірний шланг ⑤ під час заповнення і під час процесу самовсмоктування повинен перебувати на такій висоті, щоб вода не могла вибігати з насоса через напірний шланг ⑤.

Утворення іржі: насос арт. 9014 має чавунний корпус. Тому після контакту з водою утворюється іржа (це не шкодить насосу і не є складовою частиною гарантії). Тому після включення на початку може витікати іржава вода.

4. ДОГЛЯД



НЕБЕЗПЕКА! Небезпека отримання травми!
Небезпека отримання травм при ненавмисному запуску виробу.

→ Перш ніж проводити роботи з технічного обслуговування виробу, відключіть виріб від електроживлення.

Промивання насоса:

Після перекачування хлорованої води насос необхідно промити.

- Прокачайте ледве теплу воду (макс. 35 °C), можливо з додаванням неагресивного засобу, що чистить (наприклад, засобу для миття посуду), доти, доки вода, що перекачується, не стане прозорою.
- Утилізуйте відходи згідно з директивами закону про ліквідацію відходів.

5. ЗБЕРІГАННЯ

Виведення з експлуатації [зобр. S1]:

Насос не захищений від морозу!

Виріб повинен зберігатися в недоступному для дітей місці.

- Відключіть насос від мережі електроживлення.
- У разі необхідності перекрийте всі запірні органи на стороні всмоктування.
- Відкрийте всі вихідні отвори.
Напірна сторона не буде під тиском.
- Відкрутіть рукою різьбову пробку ⑥ на наливному патрубку ⑦ та дренажний гвинт ⑨.
З насоса почне вилитися вода.
- Зберігайте насос в сухому, закритому й захищеному від морозу місці.

6. УСУНЕННЯ НЕСПРАВНОСТЕЙ



НЕБЕЗПЕКА! Небезпека отримання травми!
Небезпека отримання травм при ненавмисному запуску виробу.

→ Перед усуненням неполадок, відключіть виріб від електроживлення.

Відгвинчування крильчатки [зобр. T1]:

Заблоковане брудом робоче колесо може бути звільненим.

→ Поверніть викруткою вал крильчатки ⑩.
Внаслідок цього застрягле робоче колесо звільниться.

Проблема	Можлива причина	Спосіб усунення
Насос працює, але не всмоктує	Негерметичний або пошкоджений усмоктувальний трубопровід.	→ Перевірте всмоктуючу лінію на предмет пошкоджень і загерметизуйте їх.
	Насос не був наповнений водою.	→ Наповніть насос (див. 3. ОБСЛУГОВУВАННЯ).

Проблема	Можлива причина	Спосіб усунення
Насос працює, але не всмоктує	При самоусмоктуванні рідина, що перекачується, зливається через напірний шланг.	→ 1. Наповніть насос ще раз (див. 3. ОБСЛУГОВУВАННЯ). 2. При повторному введенні в експлуатацію насоса, підніміть напірний шланг вертикально над насосом на висоту не менше 1 м, поки насос не засмокче рідину.
	Абсолютно непроникне для вакууму з'єднання забезпечується при застосуванні усмоктувальних шлангів GARDENA (див. 8. КОМПЛЕКТУЮЧІ).	
	Кришка заливної горловини закрита нещільно.	→ Перевірте ущільнювач (при необхідності замінити) і затягніть різьбову пробку (не використовувати плоскогубці).
	Повітря з насоса не виходить, тому що напірна сторона закрита й у напірному шлангу залишилася вода.	→ Відкрийте наявні запірні вентилі у напірному трубопроводі (наприклад, наконечник для поливу) або випорожніть напірний шланг.
Недостатній час усмоктування.	→ Включіть насос і зачекайте близько 5 хвилин.	
Усмоктувальний фільтр або зворотний клапан засмічені.	→ Очистіть фільтр або зворотний клапан.	
Завелика висота всмоктування.	→ Зменшити висоту всмоктування.	
При інших проблемах з усмоктуванням установіть усмоктувальний шланг GARDENA зі зворотним клапаном (див. 8. КОМПЛЕКТУЮЧІ) і перед вмиканням насоса заповніть його рідиною, що перекачується через заливну горловину.		
Насос не запускається або в процесі експлуатації раптово зупиняється	Тепловий захисний вимикач відключив насос через перегрів.	→ Звертайте увагу на максимальну температуру середовища (35 °C).
	Насос без струму.	→ Перевірте запобіжники й електричні з'єднання.
	Спрацював пристрій захисного відключення (струм витоку).	→ Відключіть насос від мережі електроживлення і зверніться до сервісного центру GARDENA.
Насос не ввімкнений.	→ Переведіть вимикач Увімк./Вимк. в положення Увімк.	
Насос працює, але продуктивність роботи насоса раптово падає	Кінець всмоктуючого шланга не у воді.	→ Занурте кінець всмоктуючого шланга глибше у воду.
	Всмоктувальний фільтр або блокатор зворотного потоку забився.	→ Очистіть всмоктувальний фільтр або зворотний клапан.
	Всмоктується повітря на стороні усмоктування.	→ Усуньте негерметичність.
Заблоковано робоче колесо.	→ Відкрутіть крильчатку.	
Виникнення шуму в зоні гідравліки	Великі витрати рідини (напр., відкритий шланг, без перехідника) можуть викликати в гідравлічному блоці насоса появу акустичного шуму. Це все продумано і не призводить до пошкодження насоса. Шум можна усунути шляхом незначної зміни витрат рідини (напр., злегка відкрити/закрити перехідник).	



ВКАЗІВКА: в разі інших несправностей зверніться, будь ласка, до сервісного центру GARDENA. Ремонтні роботи повинні виконуватися тільки сервісними центрами GARDENA, а також спеціалізованими фірмами, які сертифіковані компанією GARDENA.

7. ТЕХНІЧНІ ХАРАКТЕРИСТИКИ

Садовий насос	Одиниця вимірювання	Значення (арт. 9010)	Значення (арт. 9014)
Номінальна потужність	Вт	600	800
Мережева напруга	В (змін. струм)	230	230
Частота мережі	Гц	50	50
Макс. продуктивність насоса	л/ч	3000	3700
Макс. тиск/макс. висота відкачування рідини	бар / м	3,5 / 35	4,1 / 41
Макс. висота самоусмоктування	м	7	7

Садовий насос	Одиниця вимірювання	Значення (арт. 9010)	Значення (арт. 9014)
Допустимий внутрішній тиск (напірна сторона)	бар	6	6
Сполучний кабель	м	1,5 (H07RN-F)	1,5 (H07RN-F)
Вага	кг	5,3	8,2
Рівень звукової потужності $L_{WA}^{(1)}$ вимірний / гарантований Похибка $k_{WA}^{(2)}$	дБ (А)	77 / 80 3	77 / 80 2,36
Макс. температура робочої рідини	°C	35	35

Метод вимірювань згідно з: ¹⁾ RL 2000/14/EU ²⁾ ISO 4871

8. КОМПЛЕКТУЮЧІ/ЗАПЧАСТИНИ

Усмоктувальні шланги GARDENA	Неламкі і вакуумщільні, їх можна придбати за вибором як товар, що продається на метри, арт. 1720/1721 (19 мм (3/4")-/25 мм (1")) без арматури для підключення або як мірну довжину, арт. 1411/1418 в комплекті з арматурою для підключення.	
Фітинг для всмоктувального шланга від GARDENA	Для підключення зі сторони нагнітання.	арт. 1723/1724
Набір з'єднувальних елементів для насосів від GARDENA	Для підключення зі сторони нагнітання.	арт. 1750/1752
Усмоктувальний фільтр GARDENA зі зворотним клапаном	Для оснащення продаваних метражем усмоктувальних шлангів.	арт. 1726/1727/1728
Фільтр попереднього очищення GARDENA	Зокрема, рекомендується для перекачування рідин із піском.	арт. 1730/1731
Електронний манометричний вимикач GARDENA	Автоматически вмикає й вимикає насос залежно від тиску. Із захистом від роботи в суху.	арт. 1739
Усмоктувальний шланг до свердловини GARDENA	Для стійкого під вакуумом приєднання насоса до свердловини або до трубопроводу. Довжина 0,5 м. Із двома фітінгами, деталлю з внутрішньою різьбою 33,3 мм (G1).	арт. 1729
Плаваюча всмоктуюча система GARDENA	Для вільного від забруднень всмоктування з-під поверхні води.	арт. 1417
Насадка для підключення до насоса GARDENA	Для підключення GARDENA з'єднувальної системи до напірної сторони.	арт. 1745

9. ГАРАНТІЯ/СЕРВІСНЕ ОБСЛУГОВУВАННЯ

9.1 Реєстрація товару:

Зареєструйте свій виріб на веб-сторінці [gardena.com/registration](https://www.gardena.com/registration).

9.2 Сервісне обслуговування:

Актуальну контактну інформацію нашої служби підтримки можна знайти на задній сторінці та в Інтернеті:

- Україна: <https://www.gardena.com/ua/pidtrymka/advice/contacty/>

10. УТИЛІЗАЦІЯ

10.1 Утилізація насоса:

(відповідно до Директиви 2012/19/EU)



Виріб не можна утилізувати зі звичайними побутовими відходами. Він повинен бути утилізований відповідно до місцевих чинних стандартів з охорони навколишнього середовища.

ВАЖЛИВО!

→ Утилізуйте виріб у або за допомогою місцевого спеціалізованого збірного пункту з утилізації.

ro Pompă de grădină

1. INSTRUCȚIUNI DE SIGURANȚĂ	34
2. MONTAJUL	35
3. OPERAREA	36
4. ÎNTREȚINEREA	36
5. DEPOZITAREA	36
6. REMEDIEREA DEFECȚIUNILOR	36
7. DATE TEHNICE	37
8. ACCESORII/PIESE DE SCHIMB	37
9. GARANȚIE/SERVICE	37
10. ELIMINARE CA DEȘEU	37

Traducerea instrucțiunilor originale.



Utilizarea produsului de către copii peste 8 ani precum și de către persoane cu abilități fizice sau mentale reduse sau de persoane fără experiența și cunoștințele necesare, este permisă numai dacă sunt supravegheați sau instruiți cu privire la utilizarea sigură a produsului și dacă înțeleg pericolele rezultate din utilizare. Copii nu au voie să se joace cu produsul. Curățarea și întreținerea care trebuie efectuate de utilizator nu sunt permise copiilor fără supraveghere. Utilizarea produsului este recomandată începând de la vârsta de 16 ani. Niciodată nu utilizați produsul dacă sunteți obosit sau bolnav sau vă aflați sub influența alcoolului, drogurilor sau a medicamentelor.

Utilizare conform destinației:

Pompa de grădină GARDENA este destinată transportului apei subterane și apei pluviale, apei potabile și apei cu conținut de clor în grădinile gospodărești și de hobby.

Lichide transportate:

Pompa de grădină GARDENA se va folosi numai pentru transportarea apei.

La utilizarea pompei pentru creșterea presiunii, este interzisă depășirea presiunii interioare maxime de 6 bari (pe partea cu presiune). Presiunea de ieșire prea ridicată și presiunea pompei se adună.

- **Exemplu:** Presiune la robinetul de apă = 2,5 bar, Presiunea max. a pompei de grădină art. 9010 = 3,5 bar, Presiunea totală = 6,0 bar.

Produsul nu este destinat utilizării continue (mod de funcționare cu recirculare continuă).



PERICOL! Leziuni corporale!

→ Nu este permisă transportul următoarelor: apă sărată, apă murdară, substanțe acide, ușor inflamabile sau explozive (de ex. benzină, petrol lampant, nitrodiluant) ulei, păcură și alimente.

1. INSTRUCȚIUNI DE SIGURANȚĂ

IMPORTANT!

Citiți atent instrucțiunile de utilizare și păstrați-le pentru o utilizare ulterioară.

Simbolurile de pe produs:



Citiți instrucțiunile de utilizare.

Instrucțiuni generale de siguranță

Siguranța electrică



PERICOL! Electrocutare!

Pericol de accidentare prin electrocutare.

→ Produsul trebuie alimentat cu curent printr-o siguranță diferențială (RCD) cu un curent nominal de declanșare de maxim 30 mA.



PERICOL! Pericol de accidentare!

Pericol de accidentare prin electrocutare.

→ Scoateți produsul din priză, înainte de a-l supune lucrărilor de întreținere sau de a schimba piese. Pentru aceasta priza trebuie să fie în raza vizuală a utilizatorului.

Funcționarea în siguranță

Temperatura apei nu trebuie să depășească 35 °C.

Este interzisă folosirea pompei dacă se află persoane în apă.

Impuritățile din lichid ar putea rezulta ca urmare a scurgerii de lubrifianți.

Înterupătoare de protecție

Înterupător de protecție termică:

În cazul suprasolicității, pompa se oprește prin intermediul protecției termice încorporate a motorului. După ce motorul s-a răcit suficient, pompa este din nou gata de funcționare.

Instrucțiuni de siguranță suplimentare

Siguranța electrică



PERICOL! Stop cardiac!

În timpul funcționării acest produs generează un câmp electromagnetic. În anumite condiții acest câmp poate afecta funcționarea implanturilor medicale active sau pasive. Pentru a exclude situațiile care pot însemna accidente grave sau mortale, persoanele cu implanturi medicale trebuie să-și consulte medicul sau producătorul implantului înainte de utilizarea acestui produs.

Cablu

În cazul utilizării cablurilor prelungitoare, acestea trebuie să respecte diametrele minime din tabelul următor:

Tensiune	Lungime cablu	Secțiune
230 – 240 V/50 Hz	Până la 20 m	1,5 mm ²
230 – 240 V/50 Hz	20 – 50 m	2,5 mm ²



PERICOL! Electrocutare!

Pericol de accidentare prin electrocutare.

→ Înainte de a scoate din funcțiune sau de a remedia o defecțiune scoateți produsul din priză.

Pompa trebuie amplasată în mod stabil și ferit de inundare și trebuie asigurată împotriva căderii. Amplasați pompa la o distanță de siguranță (min. 2 m) față de mediul de transportat. Ca dispozitiv de siguranță suplimentar se poate folosi un înterupător de siguranță cu curent rezidual omologat.

→ Cereți sfatul unui electrician.

În cazul deteriorării cablului de alimentare, acesta trebuie înlocuit de către producător, de către serviciul său pentru clienți, sau de către o persoană calificată similar, pentru a evita expunerea la pericole.

Protejați steckerul și cablul de alimentare de caldura, ulei și margini ascuțite.

Nu folosiți cablul de alimentare pentru manipularea pompei sau pentru deconectarea acesteia.

Nu expuneți pompa ploii și nu utilizați pompa într-un mediu umed sau cu aburi.

Verificați conductele de racordare la intervale regulate.

Înainte de folosire inspectați întotdeauna pompa (în special cablul de alimentare și legăturile electrice).

O pompă defectă nu trebuie folosită. În cazul unui defect verificați pompa la centrul service GARDENA.

Atunci când utilizați pompele noastre cu un generator, trebuie să respectați indicațiile de avertizare ale producătorului generatorului.

Siguranța personală



PERICOL! Pericol de asfixiere!

Piesele mai mici pot fi înghițite. Punga de polietilenă înseamnă pericol de asfixiere pentru copiii mici. În timpul montajului țineți la distanță copiii mici.



PERICOL! Pericol de accidentare din cauza apei fierbinți!

Dacă pompa este folosită pentru o perioadă mai îndelungată (> 5 min.) cu evacuarea blocată, apa din interior se poate încălzi, apărând riscul opăririi.

→ Pompa nu ar trebui să funcționeze mai mult de max. 5 minute cu evacuarea blocată.

În cazul în care lipsește alimentarea cu apă pe partea cu aspirarea, apa din pompă se poate încălzi, astfel încât la ieșirea apei pot interveni accidente datorate apei fierbinți.

→ Separați pompa de la rețea, lăsați să se răcească apa și asigurați alimentarea cu apă pe partea cu aspirarea înaintea punerii în funcțiune.

La conectarea pompei la sursa de alimentare cu apă trebuie respectate regulamentele naționale sanitare, pentru împiedicarea aspirării a apei nepotabile.

→ Cereți sfatul unui specialist sanitar.

Pentru evitarea funcționării uscate a pompei, aveți grijă ca furtunul de aspirație să se afle întotdeauna scufundat în lichid.

→ Înainte de fiecare utilizare umpleți pompa pentru amorsare (aprox. 2 – 3 l) cu lichid!

Nisipul și alte substanțe abrazive din lichid provoacă uzură avansată și reduc performanțele pompei.

→ Folosiți un filtru preliminar pentru pomparea lichidelor cu impurități.

Pomparea apei cu impurități, de ex. pietre, ace de brad ș. a., poate cauza defectarea pompei.

→ Nu pompați apă cu impurități.

2. MONTAJUL



PERICOL! Leziuni corporale!

Pericol de accidentare dacă produsul pornește nesupravegheat.

→ Deconectați produsul de la alimentarea cu energie electrică înainte de a-l monta.

Așezarea pompei:

Suprafața pe care este așezată trebuie să fie solidă pentru asigurarea unei funcționări stabile și sigure.

→ Amplasați pompa la o distanță de siguranță (min. 2 m) față de apă.

Pompa trebuie amplasată într-un loc cu o umiditate mică a aerului și o aerisire suficientă în jurul șlițurilor de aerisire. Distanța față de pereți trebuie să fie de minim 5 cm. Deasupra șlițurilor nu trebuie să fie aspirată murdărie (de ex. nisip sau pământ).

Piesele de racordare din plastic de pe partea de aspirație și de pe partea de reflux se vor strânge exclusiv manual.

Racordarea furtunului pe partea de aspirație [Fig. A1]:

Nu folosiți orice conectori de furtun pentru conectarea la partea de aspirație!

→ Pe partea de aspirație folosiți un furtun rezistent la vid de ex. set de aspirație GARDENA cod art. 1411 sau furtun de aspirație pentru fântână de tip țevă GARDENA cod art. 1729.

Pentru a reduce timpul de reaspirare vă recomandăm folosirea unui furtun de aspirație cu element blocare la întoarcere, care împiedică golirea furtunului de aspirație după decuplarea pompei.

- Înșurubați niplul conector pompă ② în racordul de pe partea de aspirație ①.
- Legeți furtunul de aspirație rezistent la vid ③ la niplul conector pompă ② și înșurubați aceasta în mod etanș.
- În cazul unei înălțimi de aspirație mai mari de 4 m, fixați suplimentar furtunul de aspirație ③ (de ex. prin legarea de un suport de lemn).
Eliberează pompa de greutatea furtunului.

Racordarea furtunului pe partea de reflux [Fig. A2]:

Ștuțul pompei ④ este prevăzut cu un filet interior de 33,3 mm (G 1").

Pentru sistemul de conectare GARDENA este nevoie de ex. de niplu conector pompă GARDENA pentru pompă, art. 1745 (în cazul produsului cu art. 9010 este inclus în pachet).

Prin sistemul de conectori GARDENA pot fi conectate furtunuri de 19 mm (3/4")/16 mm (5/8") și de 13 mm (1/2").

Diametrul furtunului	Conector pentru pompă	
13 mm (1/2")	GARDENA Set conectare pompă	art. 1750
16 mm (5/8")	GARDENA Ștuț robinet cu filet	art. 18202
	GARDENA Mufă conectoare	art. 18216
19 mm (3/4")	GARDENA Set conectare pompă	art. 1752

O utilizare optimă a puterii de transport poate fi atinsă prin racordarea furtunurilor de 19 mm (3/4") în legătură de ex. cu

– Setul de racordare pompă GARDENA art. 1752,

sau a furtunurilor de 25 mm (1") cu

– piesă filetată de cuplare rapidă GARDENA cu filet exterior art. 7115/piesă de furtun de cuplare rapidă art. 7103.

- Numai pentru articolul art. 9014: Folosiți bandă de etanșare ⑤ la filetul exterior al niplului conector pompă.
- Înșurubați niplul conector pompă ② în racordul de pe partea de reflux ④ (Este inclus în pachetul livrat numai în cazul articolului cu numărul 9010).
- Legeți furtunul de presiune ⑥ la niplul conector pompă ②.

În cazul racordării paralele a mai multor furtunuri/aparate vă recomandăm utilizarea unui

- distribuitor cu 2 sau 4 căi GARDENA art. 8193/8194, ventil cu 2 căi GARDENA art. 940,

care se pot înșuruba direct în niplul conector pompă ②.

3. OPERAREA



PERICOL! Leziuni corporale!

Pericol de accidentare dacă produsul pornește nesupravegheat.

→ Înainte de conectarea, reglarea sau transportarea produsului, deconectați produsul de la alimentarea cu energie electrică.

Pomparea apei [Fig. O1/O2]:



ATENȚIE! Funcționarea uscată a pompei!

→ Înainte de fiecare punere în funcțiune umpleți pompa până la preaplin (aproximativ între 2 și 5 l) de apă.

1. Înșurubați cu mâna îmbinarea filetată ⑥ pe ștuțul de umplere ⑦.
2. Umpleți cu apa prin ștuțul de umplere ⑦ până la preaplin (aproximativ între 2 și 5 l).
3. Strângeți numai cu mâna îmbinarea filetată ⑥ de la ștuțul de umplere ⑦ (nu folosiți clește pentru strângere).
4. Deschideți robinetii de închidere eventual existente pe conducta de presiune (aparate de racordare, opritor apă, etc).
5. Goliți restul de apă din furtunul de presiune ⑤, pentru ca să poată ieși aerul în timpul aspirației.
6. Conectați pompa la alimentarea cu curent.
7. Țineți furtunul de presiune ⑤ la cca. 1 m vertical deasupra pompei, apăsați întrerupătorul de pornire/oprire ⑧ și așteptați până când pompa se amorsează.

→ Dacă pompa nu pompează apă după aproximativ 5 minute, oprți pompa (prin apăsarea comutatorului de pornire/oprire ⑧) (vezi 6. REMEDIEREA DEFECȚIUNILOR).

Înălțimea maximă de aspirație automată indicată de 7 m poate fi atinsă numai dacă pompa a fost umplută până la scurgerea de preaplin prin intermediul ștuțului de umplere ⑦, iar furtunul de presiune ⑤ va fi ținut în timpul aspirării automate la o astfel de înălțime, încât apa să nu poată curge din pompă prin furtunul de presiune ⑤.

Formare de rugină: Pompa cu codul art. 9014 are o carcasă din fontă turnată. După contactul cu apă are loc o formare de rugină (aceasta nu afectează pompa și este exclusă din garanție). Din acest motiv, după pornire poate ieși apă cu conținut de rugină.

4. ÎNTREȚINEREA



PERICOL! Leziuni corporale!

Pericol de accidentare dacă produsul pornește nesupravegheat.

→ Deconectați produsul de la alimentarea cu energie electrică înainte de a-l întreține.

Spălarea pompei:

După pomparea apei cu conținut de clor, pompa trebuie spălată.

1. Pompați apă caldă (max. 35 °C) eventual prin adăugarea unui detergent delicat (de exemplu, detergent de vase), până când apa pompată este curată.
2. Eliminați reziduurile conform directivelor legii privind eliminarea deșeurilor.

5. DEPOZITAREA

Scoaterea din funcțiune [Fig. S1]:

Pompa nu este rezistentă la îngheț!

Produsul trebuie depozitat într-un loc neaccesibil copiilor.

1. Deconectați pompa de la alimentarea cu energie electrică.
2. Dacă este necesar, închideți toate organele de închidere pe partea de aspirație.
3. Deschideți toți robinetii de evacuare.
Partea de refulare devine depresiurizată.

4. Deschideți îmbinarea filetată ⑥ de la ștuțul de umplere ⑦ cât și șurubul de golire apă ⑨.

Pompa se golește.

5. Păstrați pompa într-un loc uscat, închis și ferit de îngheț.

6. REMEDIEREA DEFECȚIUNILOR



PERICOL! Leziuni corporale!

Pericol de accidentare dacă produsul pornește nesupravegheat.

→ Deconectați produsul de la alimentarea cu energie electrică înainte de a remedia defecțiunile produsului.

Eliberarea turbinei [Fig. T1]:

Dacă turbina se blochează datorită poluării, poate fi deblocată.

→ Rotiți axul turbinei ⑩ cu o șurubelniță.

Astfel turbina blocată se deblochează.

Problemă	Cauză posibilă	Remediu
Pompa funcționează, însă nu se realizează amorsarea	Conductă de aspirație neetanșă, respectiv deteriorată.	→ Verificați dacă furtunul de aspirație este deteriorat și etanșați-l.
	Pompa nu a fost umplută cu apă.	→ Umpleți pompa (vezi 3. OPERAREA).
	Lichidul umplut scurge în timpul amorsării prin furtunul conectat în zona de livrare.	→ 1. Umpleți încă odată pompa (vezi 3. OPERAREA). 2. La repunerea în funcțiune a pompei țineți furtunul de presiune la cca. 1 m vertical deasupra pompei, până când pompa se amorsează.
	O conexiune absolut etanșă și rezistentă la presiuni negative se obține prin folosirea GARDENA Furtunilor de aspirație (vezi 8. ACCESORII).	
	Capacul filetat al carcasei de protecție nu este etanș.	→ Verificați garnitura de etanșare (înlocuiți-o în caz de nevoie) și strângeți ferm îmbinarea filetată (fără să folosiți un clește).
	Aerul nu poate fi eliberat datorită blocării zonei de evacuare sau a apei din furtunul de presiune.	→ Deschideți robinetii de închidere existente pe furtunul de presiune (de ex. stropitoare) respectiv goliți furtunul de presiune.
	Nu s-a ținut cont de timpul de așteptare.	→ Oprți pompa și așteptați cel mult 5 minute.
	Filtrul sau supapa de sens a furtunului de aspirație blocate.	→ Curățați filtrul, respectiv elementul de blocare la întoarcere.
	Înălțime de aspirație prea mare.	→ Reduceți înălțimea de aspirație.
	În cazul altor dificultăți în ceea ce privește amorsarea, folosiți GARDENA Furtunuri de aspirație cu supapă de sens (vezi 8. ACCESORII), și umpleți pompa cu lichid prin carcasa de protecție înainte de utilizare.	
Pompa nu pornește sau se oprește brusc în timpul funcționării	Întrerupătorul de protecție termică a oprit pompa din cauza supraîncălzirii.	→ Respectați temperatura maximă a mediului (35 °C).
	Pompa fără curent.	→ Verificați siguranțele și conexiunile cu fișă electrică.
	Întrerupătorul de protecție împotriva curentilor reziduali (RCD) a declanșat (curent rezidual).	→ Scoateți pompa din priză și adresați-vă GARDENA Service.
	Pompa nu este pornită.	→ Împingeți comutatorul de pornire/oprire în poziția pornit.
Pompa funcționează însă performanțele la ieșire scad	Capătul furtunului de aspirație nu este în apă.	→ Scufundați capătul furtunului de aspirație mai adânc în apă.
	Sorbul cu supapă de sens sau dispozitivul de blocare a refluxului astupate.	→ Curățați filtrul de aspirație, respectiv elementul de blocare la întoarcere.
	Scurgeri în partea de aspirație.	→ Remediați neetanșeitatea.
	Turbina blocată.	→ Desfaceți turbina.

Problemă	Cauză posibilă	Remediu
Zgomote ce provin din zona hidraulică	În cazul unor debite mari (de ex. ieșire deschisă a furtunului, fără accesorii pentru udare), în domeniul hidraulic al pompei se pot produce zgomote. Acestea nu constituie riscuri și nu indică la deteriorarea pompei. Zgomotul poate fi înlăturat prin modificarea minimă a debitului (de ex. deschiderea/închiderea ușoară a unui accesoriu pentru udat).	



NOTĂ: În caz de alte defecțiuni adresați-vă centrului de service GARDENA. Reparațiile vor fi efectuate în exclusivitate de centrele de service GARDENA și de dealeri autorizați de GARDENA.

7. DATE TEHNICE

Pompă de grădină	Unitate	Valoare (art. 9010)	Valoare (art. 9014)
Putere nominală	W	600	800
Tensiunea de rețea	V (AC)	230	230
Frecvența de rețea	Hz	50	50
Cantitatea max. transportată	l/h	3000	3700
Presiunea max./Înălțimea max. de transport	bar / m	3,5 / 35	4,1 / 41
Înălțimea max. de aspirație este	m	7	7
Presiune internă admisă (pe partea de refulare)	bar	6	6
Cablu de conexiune	m	1,5 (H07RN-F)	1,5 (H07RN-F)
Greutate	kg	5,3	8,2
Nivel de putere acustică L_{WA} ¹⁾ măsurat/garantat Incertitudine k_{WA} ²⁾	dB(A)	77 / 80 3	77 / 80 2,36
Temperatură de mediu maximă	°C	35	35

Procedura de măsurare conform: ¹⁾ RL 2000/14/EU ²⁾ ISO 4871

8. ACCESORII/PIESE DE SCHIMB

Furtunuri de aspirație GARDENA	Rezistent la îndoire și vid, disponibil la alegere la metru, art. 1720/1721 (19 mm (3/4")-/25 mm (1")) fără armături de racordare sau cu lungime fixă, art. 1411/1418 complet cu armături de racordare.	
Conectori furtun aspirație GARDENA	Pentru racordare pe partea de aspirație.	art. 1723/1724
Set conectare pompă GARDENA	Pentru racordul pe partea cu presiunea.	art. 1750/1752
Filtru de aspirație cu supapă de sens GARDENA	Pentru furtunile vândute la metru.	art. 1726/1727/1728
Filtru preliminar pompă GARDENA	Recomandat în special pentru lichide cu impurități de nisip.	art. 1730/1731
Înterupător manometric-electronic GARDENA	Pornește și întrerupe pompa automat în funcție de presiunea de lucru. Prevăzută cu siguranță de funcționare.	art. 1739
Furtunuri de aspirație pentru fântâni arteziene GARDENA	Pentru conectarea etanșă a pompei la la fântâni arteziene sau conducte fixe. Lungimea de 0,5 m. Cu filet interior de 33,3 mm (G1) în ambele părți.	art. 1729
Unitate de aspirare flotantă GARDENA	Pentru aspirare curată sub suprafața apei.	art. 1417
Conector pentru pompă GARDENA	Pentru racordarea sistemului de fișare GARDENA pe partea de refulare.	art. 1745

9. GARANȚIE/SERVICE

9.1 Înregistrarea produsului:

Înregistrați-vă produsul la [gardena.com/registration](https://www.gardena.com/registration).

9.2 Service:

Găsiți actualele informațiile de contact ale serviciului nostru pe verso și online:

- Romania: <https://www.gardena.com/ro/asistenta/advice/contact/>
- Alte țări: <https://www.gardena.com/int/support/advice/contact/>

10. ELIMINARE CA DEȘEU

10.1 Disponerea pompei ca deșeu:

(conform Directivei 2012/19/UE)



Este interzisă disponerea produsului ca gunoi menajer obișnuit. Acesta trebuie dispus ca deșeu conform prescripțiilor locale de protecția mediului.

IMPORTANT!

→ Dispuneți ca deșeu produsul prin sau de către punctele de colectare și reciclare locale.

tr Bahçe pompası

1. EMNİYET BİLGİLERİ	37
2. MONTAJ	38
3. KULLANIM	39
4. BAKIM	39
5. DEPOLAMA	39
6. HATA GİDERME	39
7. TEKNİK ÖZELLİKLER	40
8. AKSESUAR/YEDEK PARÇALAR	40
9. GARANTİ/SERVİS	40
10. TASFIYE	40

Orijinal kullanma kılavuzunun çevirisi.



8 yaş ve üzeri çocuklar ve fiziksel, duyuşsal veya zihinsel kabiliyetleri sınırlı olan veya yeterli deneyim ve bilgiye sahip olmayan kişiler bu ürünü, ancak gözetim altındayken veya cihazın güvenli bir şekilde kullanımı konusunda bilgilendirilmeleri ve sonuçta ortaya çıkabilecek tehlikelerin farkında olmaları durumunda kullanabilirler. Çocukların ürün ile oynamasına izin vermeyin. Temizlik ve kullanıcı bakımı, gözetim yapılmaksızın çocuklar tarafından yürütülmemelidir. Bu ürünü 16 yaş üzeri yetişkinlerin kullanmasını öneriyoruz. Ürünü yorgun, hasta ya da alkol, uyuşturucu madde ya da ilaç etkisi altında olduğunuz zaman asla kullanmayın.

Amacına uygun kullanım:

GARDENA Bahçe pompası özel ev ve hobi bahçelerinde yer altı ve yağmur sularının, şebeke sularının ve klor içeren suların taşınması için tasarlanmıştır.

Taşıma sıvıları:

GARDENA bahçe pompası ile sadece su taşınabilir.

Pompanın basıncı arttırmak için kullanılması durumunda izin verilen maksimum 6 bar'lık (basma tarafındaki) iç basınç aşılmamalıdır. Artan çıkış basıncı ve pompa basıncı toplanarak artar.

- Örnek: Musluktaki basınç = azami 2,5 bar,
Bahçe pompası basıncı ürün 9010 = 3,5 bar,
Toplam basınç = 6,0 bar.

Ürün uzun süreli işletim için uygun değildir (sürekli devridaim işletimi).



TEHLİKE! Yaralanma!

→ Tuzlu su, kirli su, tahriş edici, hafif yanıcı veya patlayıcı maddeler (örneğin benzin, gazyağı, nitro dilüsyonu), yağlar, kalorifer yakıtı ve gıda maddesi taşınmaz.

1. EMNİYET BİLGİLERİ

ÖNEMLİ!

Kullanma kılavuzunu tamamen okuyup daha sonra başvurmak için muhafaza edin.

Ürün üzerindeki semboller:



Kullanma kılavuzunu okuyun.

Genel emniyet bilgileri

Elektrik güvenliği



TEHLİKE! Elektrik çarpması!

Elektrik akımı nedeniyle yaralanma tehlikesi.

→ Ürün, maksimum 30 mA'lık nominal devreye girme akımına sahip bir FI şalteri (RCD) üzerinden akım ile beslenmelidir.



TEHLİKE! Yaralanma tehlikesi!

Elektrik akımı nedeniyle yaralanma tehlikesi.

→ Bakım yapmadan ya da yapı parçalarını değiştirmeden önce ürünü şebekeden ayırın. Bu sırada prizi görebilmelisiniz.

Daha güvenli çalışma

Su sıcaklığı 35 °C üzerinde olamaz.

Suda insanlar bulunduğunda pompa kullanılmamalıdır.

Sızan yağlayıcı maddelerden dolayı sıvılar kirlenebilir.

Koruma şalteri

Termal koruma şalteri:

Pompa, aşın yüklenme durumunda dahili termal motor koruması tarafından olarak kapatılır. Motor yeterince soğuduktan sonra pompa tekrar işleme hazırdır.

Ek emniyet bilgileri

Elektrik güvenliği



TEHLİKE! Kalp durma tehlikesi!

Bu ürün işletim sırasında elektromanyetik bir alan oluşturur. Bu alan bazı koşullar altında aktif ya da pasif tıbbi implantların işlev şekli üzerinde etki gösterebilir. Ağır ya da ölümcül yaralanmalara neden olabilecek durum tehlikelerini önlemek için tıbbi implant kullanan kişiler bu ürünü kullanmadan önce doktoruna ya da implant üreticisine başvurmalıdır.

Kablo

Uzatma kablolar kullanırken bunlar aşağıdaki tablodaki asgari kesitlere uygun olmalıdır:

Gerilim	Kablo uzunluğu	Kesit
230 – 240 V/ 50 Hz	20 metreye kadar	1,5 mm ²
230 – 240 V/ 50 Hz	20 – 50 m	2,5 mm ²



TEHLİKE! Elektrik çarpması!

Elektrik akımı nedeniyle yaralanma tehlikesi.

→ Ürünü devre dışı bırakmadan, bakımını yapmadan veya hataları gidermeden önce şebekeden ayırın.

Pompa sağlam ve sele karşı emniyetli bir şekilde kurulmuş ve düşmeye karşı korunmuş olmalıdır. Pompayı sevk maddesine güvenli bir mesafede (en az 2 m) kurun. Ek güvenlik olarak izinli bir kişi emniyet şalteri kullanılabilir.

→ Lütfen bir elektrik uzmanına danışınız.

Bu cihazın şebeke bağlantı hattı hasar görürse, tehlikeleri önlemek için üretici veya müşteri hizmetleri veya benzer kalifikasyonlara sahip bir kişi tarafından değiştirilmelidir.

Fişi ve güç kablosunu sıcağın, yağdan ve keskin köşelerden koruyunuz.

Pompayı kablodan taşımayınız ve fişi prizden çekmek için kabloyu kullanmayınız.

Pompayı yağmura maruz bırakmayınız ve pompayı ıslak veya nemli ortamda kullanmayınız.

Bağlantı hattının düzenli aralıklarla kontrol edilmesi gereklidir.

Kullanmadan önce, pompayı (özellikle şebeke kablosunun ve fişin) daima gözle kontrol ediniz.

Hasarlı pompalar kesinlikle kullanılmamalıdır. Hasar görülmesi durumunda lütfen pompanın GARDENA Servis Merkezimiz tarafından kontrol edilmesini sağlayınız.

Pompalarımız bir alternatör ile kullanıldığında, alternatör üreticisinin uyarı talimatları dikkate alınmalıdır.

Kişisel güvenlik



TEHLİKE! Boğulma tehlikesi!

Küçük parçalar kolayca yutulabilir. Polietilen torba nedeniyle küçük çocuklar için boğulma tehlikesi söz konusudur. Küçük çocukları montaj sırasında uzak tutun.



TEHLİKE! Sıcak su nedeniyle yaralanma tehlikesi!

Kapalı basma tarafına doğru uzun süreli işletimde (> 5 dak.) su pompası ısınabilir, böylece sıcak su nedeniyle yaralanmalar meydana gelebilir.

→ Pompayı kapalı basma tarafına doğru maks. 5 dakika çalıştırınız.

Emme tarafında su beslemesinin olmaması halinde pompadaki su ısınabilir, böylece dışarı sıcak su çıkması nedeniyle yaralanmalar meydana gelebilir.

→ Pompanın şebeke bağlantısını kesiniz, suyun soğumasını bekleyiniz ve yeniden devreye almadan önce emme tarafında su beslemesi olmasını sağlayınız.

Pompanın su şebekesine bağlanması durumunda, içilmez suyun geri emilmesinin engellenmesi için ülkeye özgü sihi tesisat talimatlarına riayet edilmelidir.

→ Lütfen bir sihi tesisat uzmanına danışınız.

Pompanın kuru çalıştırılmaması için lütfen emme hortumu ucunun daima basılan madde içerisinde bulunmasına dikkat ediniz.

→ Her devreye alma öncesinde pompayı taşana kadar (yakl. 2 ila 3 l) basma sıvısıyla doldurunuz!

Kum ve basılan sıvı içerisindeki aşındırıcı maddeler daha çabuk aşınmaya ve gücün azalmasına neden olur.

→ Kumlu su için bir pompa filtresi kullanınız.

Kirli suyun basılması, örn. taşlar, çam iğneleri vb., pompanın zarar görmesine neden olabilir.

→ Kirli su basmayınız.

2. MONTAJ



TEHLİKE! Yaralanma!

Ürün istemeden çalışırsa yaralanma tehlikesi söz konusudur.

→ Ürünü, monte etmeden önce akım beslemesinden ayırın.

Pompanın kurulumu:

Kurulum yerinin sağlam ve temiz olması ve pompaya güvenli bir duruş sağlaması gerekir.

→ Pompayı suya güvenli bir mesafede (en az 2 m) kurun.

Pompa, düşük hava neminin ve havalandırma ağızlarının bulunduğu sahadaki yeterli havalandırmanın olduğu bir yerde kurulmalıdır. Duvarlara olan mesafe en az 5 cm olmalıdır. Havalandırma ağızları üzerinden kir (örn. kum veya toprak) emilmemelidir.

Emme ve basınç tarafındaki plastik bağlantı parçaları sadece manuel olarak sıkılabilir.

Hortumu emme tarafına bağlayın [Şek. A1]:

Emme tarafında su hortumu geçme sistemleri kullanmayınız!

→ Emme tarafında vakuma dayanıklı bir emme hortumu, örneğin 1411 ürün numaralı GARDENA emme donanımı veya 1729 ürün numaralı GARDENA delme su kuyusu emme hortumu kullanın.

Tekrar emme süresini kısaltmak için pompanın kapatılması sonrasında emme hortumunun otomatik olarak boşalmasını önleyen geri akış durdurmalı bir emme hortumu kullanımını tavsiye ediyoruz.

1. Pompa bağlantı parçasını ② emme tarafının ① bağlantısına vidalayın.
2. Vakuma dayanıklı emme hortumunu ③ pompa bağlantı parçasına ② bağlayın ve hava sızdırmayacak şekilde vidalayın.
3. 4 m üzerindeki emme yüksekliklerinde: Emme hortumunu ③ ilave olarak tespit edin (örn. bir ahşap kazığa bağlayın).
Pompa emme hortumunun ağırlığından kurtarılır.

Hortumu basınç tarafına bağlayın [Şek. A2]:

Pompa bağlantısı bir ④ 33,3 mm'lik (G 1") iç dişli ile donatılmıştır.

GARDENA bağlantı sistemi için, örneğin 1745 ürün numaralı bir GARDENA pompa bağlantı parçası gereklidir (9010 numaralı üründe teslimat kapsamındadır).

GARDENA geçme sistemi üzerinden 19 mm (3/4")/16 mm (5/8") ve 13 mm (1/2") hortumlar bağlanabilir.

Hortum çapı	Pompa bağlantısı	
13 mm (1/2")	GARDENA Pompa bağlantı parçası	Ürün 1750
16 mm (5/8")	GARDENA Musluk bağlantısı	Ürün 18202
	GARDENA Hortum bağlantısı	Ürün 18216
19 mm (3/4")	GARDENA Pompa bağlantı parçası	Ürün 1752

Pompanın optimize edilmiş besleme kapasitesinden, 19 mm'lik (3/4") hortumların, örneğin

– 1752 ürün numaralı GARDENA pompa bağlantı parçası

ile veya 25 mm'lik (1") hortumların

– 7115 ürün numaralı dış dişliye sahip GARDENA kolay bağlantı dişli parçası/7103 ürün numaralı hızlı bağlantı hortum parçası ile bağlanması sayesinde faydalanılır.

1. **Sadece 9014 numaralı ürün** için pompa bağlantı parçasının dış dişlisinde sızdırmazlık bandı ⑥ kullanmalısınız.
2. Pompa bağlantı parçasını ② basınç tarafı ④ bağlantısına vidalayın (sadece 9010 numaralı üründe teslimat kapsamındadır).
3. Basınç hortumunu ⑤ pompa bağlantı parçası ② ile bağlayın.

Birden fazla hortumun/bağlantı cihazının paralel bağlantısında, doğrudan pompa bağlantı parçasının ② üzerine vidalanabilen

- **8193/8194 ürün numaralı GARDENA 2'li veya 4'lü su dağıtıcısı, 940 ürün numaralı GARDENA ikiz musluk**

kullanımını tavsiye ederiz.

3. KULLANIM



TEHLİKE! Yaralanma!

Ürün istemeden çalışırsa yaralanma tehlikesi söz konusudur.

→ **Ürünü, bağlamadan, ayarlamadan veya taşımadan önce akım beslemesinden ayırın.**

Su pompalamak [Şek. 01/O2]:



DİKKAT! Pompanın kuru çalışması!

→ **Pompayı her devreye alımdan önce taşana kadar su (yakl. 2 ila 5 l) ile doldurun.**

1. Dolu ağzındaki ⑦ vidaları ⑥ el ile çevirerek açın.
2. Suyu, taşana kadar (yakl. 2 ila 5 l) dolum ağzı ⑦ üzerinden doldurun.
3. Dolum ağzındaki ⑦ vidaları ⑥ eliniz ile sıkın (pense kullanmayın) kapatın.
4. Basınç hattındaki olası mevcut kapatma valflerini açın (bağlantı cihazları, su durması, vs.).
5. Emme işlemi sırasında, havanın sızabilmesi için basınç hortumunda ⑤ kalan suyu boşaltın.
6. Pompayı akım beslemesine bağlayın.
7. Basınç hortumunu ⑤ en az 1 m dikey olarak pompanın üzerinde yukarıya doğru tutun, açma/kapama şalterine ⑧ basın ve pompa emene kadar bekleyin.

→ **Pompa yakl. 5 dakika sonra su taşıyorsa, pompayı kapatın (açma/kapama şalterine ⑧ basın) (bkz. 6. HATA GİDERME).**

Pompa, dolum ağzı ⑦ üzerinden taşacak kadar doldurulduysa ve basınç hortumu ⑤, bu işlem sırasında ve kendiliğinden emme sırasında basınç hortumu ⑤ üzerinden pompadan su çıkmayacak şekilde yukarı doğru tutulduysa belirtilen 7 m'lik maksimum kendiliğinden emme seviyesine ulaşılır.

Pas oluşumu: 9014 ürün numaralı pompa döküm demirden bir gövdeye sahiptir. Bu nedenle su temasından sonra pas oluşur (bu pompaya zarar vermez ve garantinin bir parçası değildir). Bu nedenle çalıştırdıktan sonra başta paslı su akabilir.

4. BAKIM



TEHLİKE! Yaralanma!

Ürün istemeden çalışırsa yaralanma tehlikesi söz konusudur.

→ **Ürünü, bakımını yapmadan önce akım beslemesinden ayırın.**

Pompayı durulayın:

Klorlu suyun pompalanmasından sonra pompa durulanmalıdır.

1. Pompalanan su berraklaşana kadar hafif bir temizlik maddesi ilavesiyle (örn. deterjan) ılık su (en fazla 35 °C) pompalayın.
2. Artıkları atık imha yasası yönetmelikleri uyarınca imha edin.

5. DEPOLAMA

Devre dışına çıkarma [Şek. S1]:

Pompa, dona karşı dayanıklı değildir!

Ürün çocukların erişemeyeceği yerlerde muhafaza edilmelidir.

1. Pompayı akım beslemesinden ayırın.
2. Gerekirse emme tarafının tüm kapatma organlarını kapatın.
3. Tüm çıkarma yerlerini açın.
Basınç tarafında basınç kalmaz.

4. Dolum ağzındaki ⑦ vida bağlantısını ⑥ ve su tahliye tapasını ⑨ açın.
Pompa boşaltılır.
5. Pompayı kuru, kapalı ve donmaya karşı emniyetli bir yerde muhafaza edin.

6. HATA GİDERME



TEHLİKE! Yaralanma!

Ürün istemeden çalışırsa yaralanma tehlikesi söz konusudur.

→ **Ürünün hatalarını gidermeden önce ürünü akım beslemesinden ayırın.**

Çarkın çözülmesi [Şek. T1]:

Kir nedeniyle sıkışmış bir türbin çarkı gevşetilebilir.

→ Hareket çarkının ⑩ milini bir tornavida ile çevirin.
Bu sayede sıkışmış türbin çarkı gevşetilir.

Sorun	Muhtemel neden	Çözümü
Pompa çalışıyor, fakat emmiyor	Sızdıran veya hasarlı emme hortumu.	→ Emme hattını hasar bakımından kontrol edin ve bunu hava sızdırmayacak şekilde yalıtın.
	Pompa su ile doldurulmadı.	→ Pompayı doldurun (bkz. 3. KULLANIM).
	Doldurulan basma sıvısı kendiliğinden emme işlemi sırasında basma tarafına bağlanmış hortum üzerinden boşalıyor.	→ 1. Pompayı bir kez daha doldurun (bkz. 3. KULLANIM). 2. Pompanın tekrar devreye alınması sırasında basınç hortumunu, pompa emiş yapana kadar dik bir şekilde yaklaşık 1 m pompanın üzerinde yukarıya doğru tutun.
	Mutlak vakuma dayanıklı bir bağlantı GARDENA emme hortumları (bakınız 8. AKSESUAR) kullanılması sayesinde elde edilir.	
	Dolum ağzındaki vidalı bağlantı sızdırıyor.	→ Contayı kontrol edin (gerekirse değiştirin) ve vidaları sıkın (pense kullanmayın).
	Basma tarafı kapalı veya basma hortumunda artık su bulunduğu için hava çıkamıyor.	→ Basınç hattında bulunan kapatma valfini açın (örneğin iğne) veya basınç hortumunu boşaltın.
	Bekleme süresine uyulmadı.	→ Pompayı açın ve azami 5 dakika bekleyin.
	Emme hortumundaki emme filtresi veya geri akış stopu tıkanmış.	→ Filtreyi veya geri akış durdurucusunu temizleyin.
	Çok yüksek emiş yüksekliği.	→ Emiş yüksekliğini azaltın.
	Diğer emme problemlerinde geri akış stoplu GARDENA emme hortumlarını (bakınız 8. AKSESUAR) kullanınız ve devreye almadan önce dolum ağzı üzerinden basma sıvısı doldurunuz.	
Pompa çalışmıyor veya çalışma sırasında aniden duruyor	Termik koruma şalteri aşırı ısınma nedeniyle pompayı kapattı.	→ Azami sıvı sıcaklığına dikkat edin (35 °C).
	Pompada elektrik yok.	→ Sigortaları ve elektrikli soket bağlantılarını kontrol edin.
	RCD şalteri devreye girdi (hatalı akım).	→ Pompayı akım beslemesinden ayırın ve GARDENA servisine başvurun.
	Pompa açık değil.	→ Açma/kapatma şalterini açık konumuna getirin.
Pompa çalışıyor fakat randıman aniden düşüyor	Emme hortumunun ucunu suda değil.	→ Emme hortumunun ucunu suya daha derin daldırın.
	Emme filtresi veya geri akış stopu tıkalı.	→ Emme filtresini veya geri akış durdurucusunu temizleyin.
	Emme tarafında sızıntı var.	→ Sızıntıyı gidirin.
	Türbin çarkı bloke.	→ Hareket çarkını çözün.

Hidrolik bölümünde ses oluşumu

Yoğun akışlarda (örn. açık hortum çıkışı, bağlantı cihazı olmadan) pompanın hidrolik bölümünde gürültülü sesler meydana gelebilir. Bunun bir zararı yoktur ve pompada bir hasara neden olmaz. Gürültü sesi akışın küçük bir miktar değiştirilmesi (örn. bağlantı cihazının hafif açılması/kapatılması) ile giderilebilir.



BİLGİ: Farklı arıza durumlarında lütfen GARDENA servis merkezine başvurun. Onarım çalışmaları sadece GARDENA servis merkezleri veya GARDENA tarafından yetkilendirilen uzman bayiler tarafından gerçekleştirilebilir.

7. TEKNİK ÖZELLİKLER

Bahçe pompası	Birim	Değer (Ürün 9010)	Değer (Ürün 9014)
Nominal güç	W	600	800
Şebeke gerilimi	V (AC)	230	230
Şebeke frekansı	Hz	50	50
Maks. basma miktarı	l/h	3000	3700
Maks. basınç/ Maks. tahliye kafası	bar / m	3,5 / 35	4,1 / 41
Maks. kendiliğinden emme seviyesi	m	7	7
İzin verilen iç basınç (basınç tarafı)	bar	6	6
Bağlantı kablosu	m	1,5 (H07RN-F)	1,5 (H07RN-F)
Ağırlık	kg	5,3	8,2
Ses gücü seviyesi $L_{WA}^{1)}$ ölçülen/garantili Güvensizlik $k_{WA}^{2)}$	dB(A)	77 / 80 3	77 / 80 2,36
Maks. madde sıcaklığı	°C	35	35

Uygulanan ölçüm yöntemi: ¹⁾ RL 2000/14/EU ²⁾ ISO 4871

8. AKSESUAR/YEDEK PARÇALAR

GARDENA Emme hortumları	Bükülmeye ve vakuma dayanıklı, isteğe bağlı Ürün 1720/1721 (19 mm (3/4")-/25 mm (1")) metrelilik ürün olarak, bağlantı armatürleri olmadan veya sabit uzunluk olarak komple bağlantı armatürleri ile birlikte Ürün 1411/1418 temin edilebilir.	Ürün 1723/1724
GARDENA Emme Hortumu Bağlantı Parçası	Emme tarafındaki bağlantı için.	Ürün 1750/1752
GARDENA Pompa Bağlantı Seti	Basma tarafındaki bağlantı için.	Ürün 1726/1727/1728
GARDENA Geri akış stoplu emme filtresi	Metrelilik ürün olan emme hortumuna takmak için.	Ürün 1730/1731
GARDENA Pompa ön filtresi	Özellikle kumlu maddelerin basılması için tavsiye edilir.	Ürün 1739
GARDENA Elektronik basınç şalteri	İşletme basıncına bağlı olarak pompayı otomatik olarak açar veya kapatır. Kuru çalışma emniyeti ile.	Ürün 1729
GARDENA Çakma kuyu emme hortumu	Pompanın çakma kuyuya veya sabit borulara vakuma dayanıklı şekilde bağlanması için. Uzunluk 0,5 m. İki tarafı 1 3/32 mm, (G 1) iç diş ile.	Ürün 1417
GARDENA Yüzen emme ünitesi	Su yüzeyinin altındaki kirsiz emme için.	Ürün 1745
GARDENA pompa bağlantı parçası	GARDENA bağlantı sistemini basınç tarafına bağlamak için.	

9. GARANTİ/SERVİS

9.1 Ürün kaydı:

Lütfen ürününüzü [gardena.com/registration](https://www.gardena.com/registration) adresinden kaydedin.

9.2 Servis:

Servisimizin güncel iletişim bilgilerini arka sayfada ve çevrimiçi olarak bulabilirsiniz:

- Türkiye: <https://www.gardena.com/tr/destek/uzmanasorun/iletisim/>

10. TASFIYE

10.1 Pompanın tasfiye edilmesi:

(2012/19/AB yönetmeliği uyarınca)



Ürün normal ev çöpü ile birlikte tasfiye edilmemelidir. Geçerli yerel çevre koruma talimatları uyarınca tasfiye edilmelidir.

ÖNEMLİ!

→ Ürünü geri dönüşüm toplama noktaları üzerinden atığa ayırın.

bg Градинска помпа

1. УКАЗАНИЯ ПО ТЕХНИКА НА БЕЗОПАСНОСТ	40
2. МОНТАЖ	41
3. ОБСЛУЖВАНЕ	42
4. ТЕХНИЧЕСКО ОБСЛУЖВАНЕ	42
5. СЪХРАНЕНИЕ	42
6. ОТСТРАНЯВАНЕ НА ПОВРЕДИ	42
7. ТЕХНИЧЕСКИ ДАННИ	43
8. АКСЕСОАРИ/РЕЗЕРВНИ ЧАСТИ	43
9. ГАРАНЦИЯ/СЕРВИЗ	43
10. ИЗХВЪРЛЯНЕ	43

Превод на оригиналната инструкция.



Този продукт може да се използва от деца на възраст от 8 години и по-големи и лица с намалени физически, сетивни или умствени способности или липса на опит и познания, когато те са под надзор или са били инструктирани относно безопасната употреба на продукта и разбират произтичащите от това рискове. Деца не трябва да играят с продукта. Почистване и потребителска техническа поддръжка не трябва да се извършва от деца без надзор. Препоръчваме използването на продукта да се извършва от лица над 16 годишна възраст. Никога не работете с продукта, когато сте уморени, болни или под въздействието на алкохол, наркотици или лекарства.

Употреба по предназначение:

Градинската помпа GARDENA е предназначена за изпомпване на подземна и дъждовна вода, водопроводна вода и вода съдържаща хлор в частни и хоби градини.

Изпомпвани течности:

С градинската помпа GARDENA може да бъде изпомпвана само вода.

При употреба на помпата за усилване на налягането, не трябва да се превишава максимално допустимото вътрешно налягане от 6 bar (напорна страна). Изходното налягане за повишаване и помпено налягане се сумират.

- **Пример:** Макс. налягане при крана за вода = 2,5 bar,
Налягане на градинската помпа Арт. 9010 = 3,5 bar,
Общо налягане = 6,0 bar.

Продуктът не е подходящ за продължителна експлоатация (режим на непрекъсната циркулация).



ОПАСНОСТ! Контузии!

→ Не трябва да се изпомпват солена вода, мръсна вода, разяждащи, лесно запалими или експлозивни вещества (напр. бензин, керосин или нитроразтвор), масла, котелно гориво и хранителни продукти.

1. УКАЗАНИЯ ПО ТЕХНИКА НА БЕЗОПАСНОСТ

ВАЖНО!

Прочетете внимателно инструкцията за експлоатация и я запазете за бъдещи справки.

Символи върху продукта:



Прочетете инструкцията за експлоатация.

Общи указания по техника на безопасност

Безопасност на електрическите уреди



ОПАСНОСТ! Токов удар!

Опасност от нараняване от електрически ток.

→ Продуктът трябва да бъде захранен с електричество през автоматичен прекъсвач, действащ при повреда или изтичане на ток (RCD) с номинален ток на изключване от максимум 30 mA.



ОПАСНОСТ! Опасност от нараняване!
Опасност от нараняване от електрически ток.

→ Изключете продукта от електрическата мрежа, преди да извършите техническо обслужване или да замените детайли. Контактът трябва да бъде в зоната на зрителното Ви поле.

По-безопасна работа

Температурата на водата не трябва да превишава 35 °C.
Помпата не трябва да бъде използвана, когато във водата има хора.
Замърсяване на течността може да бъде причинено от изтичане на смазочни материали.

Защитен прекъсвач

Защитен термопрекъсвач:
В случай на претоварване, помпата се изключва посредством вградена термична защита на мотора. След достатъчно охлаждане на мотора, помпата отново е готова за работа.

Допълнителни указания по техника на безопасност

Безопасност на електрическите уреди



ОПАСНОСТ! Сърдечен арест!

Този продукт образува електромагнитно поле по време на работа. Това поле може при определени обстоятелства да окаже влияние върху начина на функциониране на активни или пасивни медицински импланти. За да се изключи рискът от ситуации, които биха могли да доведат до тежки или смъртоносни наранявания, лицата с медицински имплант трябва преди употреба на този продукт да се консултират със своя лекар и производителя на импланта.

Кабели

При използване на удължителни кабели, същите трябва да отговарят на минималните сечения в следващата таблица:

Напрежение	Дължина на кабела	Сечение
230 – 240 В/ 50 Гц	До 20 м	1,5 мм ²
230 – 240 В/ 50 Гц	20 – 50 м	2,5 мм ²



ОПАСНОСТ! Токът удар!
Опасност от нараняване от електрически ток.

→ Изключете продукта от електрическата мрежа, преди извършване на експлоатация, техническо обслужване или отстраняване на повреди.

Помпата трябва да се монтира стабилно и устойчива на наводнения и да се обезопаси срещу падане. Разположете помпата на безопасно разстояние (мин. 2 м.) от изпомпваната течност. Като допълнителна защита може да се използва одобрен защитен прекъсвач.

→ Моля, консултирайте се с електротехник.

Ако хранящият кабел на този уред се повреди, за да се избегнат рискове, той трябва да бъде заменен от производител, негов сервизен представител или лице с подобна квалификация.

Пазете щепсела и хранящия кабел от топлина, масло и остри ръбове. Не носете помпата за кабела и не използвайте кабела, когато изваждате щепсела от контакта.

Не оставяйте помпата на дъжд и не използвайте помпата в мокра или влажна среда.

Проверявайте редовно свързващия кабел.

Винаги преди употреба на помпата извършвайте визуална проверка (особено на кабела и щепсела).

Повредена помпа не трябва да бъде използвана. В случай на повреда помпата непременно трябва да бъде проверена от сервиз на GARDENA.

Когато използвате нашите помпи с генератор, трябва да се спазват предупредителните указания на производителя на генератора.

Лична безопасност



ОПАСНОСТ! Опасност от задушаване!

Дребните детайли могат лесно да бъдат погълнати. Полиетиленовата торба представлява опасност от задушаване за малките деца. Дръжте малките деца далеч по време на монтажа.



ОПАСНОСТ! Опасност от нараняване от гореща вода!

При продължителна работа (> 5 мин) със затворената напорна страна е възможно водата в помпата да се загрее и така да се стигне до нараняване с гореща вода.

→ Помпата да се оставя да работи със затворена напорна страна макс. 5 мин.

При липса на подаване на вода от страната на засмукване, водата в помпата може да се загрее и при излизането на водата да се стигне до нараняване с гореща вода.

→ Изключете помпата от захранването, оставете водата да се охлади и преди повторно пускане се уверете за подаването на вода от страната на засмукване.

При свързване на помпата към системата за водоснабдяване трябва да се спазят санитарните разпоредбите на съответната държава, за да бъде предотвратено всмукването на непитейна вода.

→ Моля, консултирайте се със специалист по санитарна техника.

За предотвратяване работа на сухо на помпата, моля внимавайте, края на засмукващия маркуча винаги да се намира в изпомпваната течност.

→ Преди всяко въвеждане в експлоатация напълвайте помпата с изпомпвана течност до преливника (около 2 до 3 л.)!

Пясък и други абразивни вещества в изпомпваната течност водят до по-бързо износване и намаляване на мощността.

→ При вода съдържаща пясък използвайте предфилтър за помпи.

Подаването на замърсена вода, напр. камъни, елхови иглички и др., може да доведе до повреждане на помпата.

→ Не изпомпвайте замърсена вода.

2. МОНТАЖ



ОПАСНОСТ! Контузии!

Риск от нараняване ако продуктът се включи неволно.

→ Изключете продукта от електрозахранването, преди да сглобите продукта.

Разполагане на помпата:

Мястото на разполагане трябва да бъде стабилно и сухо и на помпата да се осигури безопасно положение.

→ Разположете помпата на безопасно разстояние (мин. 2 м.) от водата.

Помпата трябва да бъде разположена на място с ниска влажност и достатъчна вентилация в зоната на вентилационните отвори. Отстоянието от стени трябва да бъде минимум 5 см. През вентилационните отвори не трябва да бъде засмуквана мръсотия (напр. пясък или почва).

Пластмасовите приставки от страната на засмукване и напорната страна трябва да бъдат стягани само на ръка.

Свързване на маркуча към страната на засмукване [фиг. A1]:

От страната на засмукване не използвайте втъквачи се системни елементи за маркучи!

→ Използвайте на страната на засмукване устойчив на вакуум засмукващ маркуч, напр. **GARDENA Засмукващ маркуч Арт. 1411** или **GARDENA Засмукващ маркуч за дренажни отвори Арт. 1729**.

За да бъде съкратено времето за повторно засмукване се препоръчва използването на смукателен маркуч с възвратен клапан, който предотвратява самостоятелното изпразване на смукателния маркуч след изключване на помпата.

1. Завинтете фитинга за помпи ② във връзката на страната на засмукване ①.
2. Свържете устойчивия на вакуум засмукващ маркуч ③ с фитинга за помпи ② и го завинтете херметически.
3. При височини на изпомпване над 4 м.: Укрепете засмукващия маркуч ③ допълнително (напр. вържете към дървен клин).
Помпата се освобождава от тежестта на засмукващия маркуч.

Свързване на маркуча към напорната страна [фиг. A2]:

Помпената връзка ④ е снабдена с 33,3 мм (G 1") вътрешна резба. За бърза връзка GARDENA е необходим GARDENA Фитинг за помпи Арт. 1745 (при Арт. 9010 е включен в доставката).

Чрез системата за свързване GARDENA могат да бъдат свързани 19 мм (3/4")-/ 16 мм (5/8") и 13 мм (1/2")-маркучи.

Диаметър на маркуча Помпена връзка

13 mm (1/2")	GARDENA Комплект за свързване към помпа	Арт. 1750
16 mm (5/8")	GARDENA Приставка за свързване към кран с резба GARDENA Конектор за маркуч	Арт. 18202 Арт. 18216
19 mm (3/4")	GARDENA Комплект за свързване към помпа	Арт. 1752

Оптимално използване на мощността на изпомпване на помпата се постига чрез свързване на 19 мм (3/4")-маркучи заедно с напр.

– **GARDENA Комплект за свързване към помпа Арт. 1752,**

или на 25 мм (1")-маркучи с

– **GARDENA Съединение с резба за бързо свързване с външна резба Арт. 7115/Съединение за маркучи за бързо свързване Арт. 7103.**

1. **Само за Арт. 9014:** Използвайте уплътняваща лента (P) на външната резба на фитинга за помпи.
2. Завинтете фитинга за помпи (2) във връзката на напорната страна (4) (Само за Арт. 9010 включено в доставката).
3. Свържете напорния маркуч (5) с фитинга за помпи (2).

При паралелно свързване на повече от един маркуч / уред за включване препоръчваме използването на

– **GARDENA Приставка с 2 или 4 разклонения Арт. 8193/8194, GARDENA Приставка с 2 разклонения Арт. 940,**

които се завинтват директно върху фитинга за помпи (2).

3. ОБСЛУЖВАНЕ



ОПАСНОСТ! Контузии!

Риск от нараняване ако продуктът се включи неволно.

→ Изключете продукта от електрозахранването, преди да свържете, настройвате или пренасяте продукта.

Изпомпване на вода [фиг. O1/O2]:



ВНИМАНИЕ! Работа на сухо на помпата!

→ Напълнете помпата преди всяка експлоатация до преливника (около 2 до 5 л.) с вода.

1. Завъртете винтовия фитинг (6) на тръбната наставка за пълнене (7) на ръка.
2. Напълнете вода през тръбната наставка за пълнене (7) до преливника (около 2 до 5 л.).
3. Затворете винтовия фитинг (6) на тръбната наставка за пълнене (7) на ръка (не използвайте клещи).
4. Отворете евентуално наличните спирателни клапани в напорния тръбопровод (уреди за включване, конектор с автоматичен стоп, и др.).
5. Изпразнете останалата вода в напорния маркуч (5), за да може да излезе въздуха по време на процеса на засмукване.
6. Свържете помпата с електрозахранването.
7. Дръжте напорния маркуч (5) мин. 1 метър вертикално над помпата нагоре, натиснете прекъсвача за вкл./изкл. (8) и изчакайте докато помпата засмуче.

→ **Ако след около 5 минути помпата не изпомпва вода, изключете помпата (натиснете прекъсвача за вкл./изкл. (8) (виж 6. ОТСТРАНЯВАНЕ НА ПОВРЕДИ).**

Посочената максимална самозасмукваща дълбочина от 7 метра се постига само когато помпата е напълнена до преливника през отвора за пълнене (7), и по време на самостоятелното засмукване напорният маркуч (5) се държи нагоре така, че от помпата през напорния маркуч (5) да не може да изтече вода.

Образуване на ръжда: Помпата Арт. 9014 има чугунен корпус. След контакт с вода може да се образува ръжда (това не поврежда помпата и не е част от гаранцията). Затова след включване първоначално може да потече ръждива вода.

4. ТЕХНИЧЕСКО ОБСЛУЖВАНЕ



ОПАСНОСТ! Контузии!

Риск от нараняване ако продуктът се включи неволно.

→ Изключете продукта от електрозахранването, преди да извършите техническо обслужване на продукта.

Промиване на помпата:

След изпомпване на хлорирана вода, помпата трябва да бъде промита.

1. Помпайте хладка вода (макс. 35 °C) евент. като добавите мек почистващ препарат (напр. препарат за измиване на съдове), докато изпомпваната вода стане бистра.
2. Изхвърлете остатъците съгласно указанията на Закона за отстраняване на отпадъците.

5. СЪХРАНЕНИЕ

Сваляне от експлоатация [фиг. S1]:

Помпата не е устойчива на замръзване!

Продуктът трябва да бъде съхраняван на недостъпно за деца място.

1. Изключете помпата от електрозахранването.
2. Затворете при нужда всички спирателни устройства от страната на засмукване.
3. Отворете всички точки за вземане на вода.
Напорната страна остава без налягане.
4. Отворете винтовия фитинг (6) на тръбната наставка за пълнене (7) и пробката за източване на водата (9).
Помпата се изпразва.
5. Съхранявайте помпата на сухо, затворено и защитено от замръзване място.

6. ОТСТРАНЯВАНЕ НА ПОВРЕДИ



ОПАСНОСТ! Контузии!

Риск от нараняване ако продуктът се включи неволно.

→ Изключете продукта от електрозахранването, преди да отстраните повреди по продукта.

Освобождение на работното колело [фиг. T1]:

Затегнало от замърсяване работно колело на помпата може да бъде освободено.

→ Завъртете вала на работното колело (10) с отвертка.

По този начин се освобождава затегнатото работно колело на помпата.

Проблем	Възможна причина	Отстраняване
Помпата работи, но не засмуква	Нехерметичен или повреден засмукващ тръбопровод.	→ Проверете засмукващия тръбопровод за повреди и го уплътнете херметически.
	Помпата не се напълва с вода.	→ Напълнете помпата (виж 3. ОБСЛУЖВАНЕ).
	Напълнената изпомпвана течност изтича при процеса на самозасмукване през маркуча свързан към напорната страна.	→ 1. Напълнете помпата още веднъж (виж 3. ОБСЛУЖВАНЕ). 2. Дръжте при повторно започване на работа с помпата напорния маркуч около 1 метър вертикално нагоре над помпата, докато помпата засмуче.
	Абсолютно вакуумно плътно свързване се постига чрез използването на GARDENA засмукващи маркучи (виж 8. АКЦЕСОАРИ).	
	Винтовото съединение на тръбната наставка за пълнене не е херметично.	→ Проверете уплътнението (при нужда заменете) и затегнете винтовото съединение (не използвайте клещи).
	Въздухът не може да излезе, защото напорната страна е затворена или в напорния маркуч има остатъчна вода.	→ Отворете намиращите се в напорния тръбопровод спирателни клапани (напр. пръскачка) или изпразнете напорния маркуч.
	Не се спазва времето за изчакване.	→ Включете помпата и изчакайте до 5 минути.
	Засмукващият филтър или защитата срещу връщане в засмукващия маркуч са запушени.	→ Почистете филтъра или възвратния клапан.
	Твърде висока дълбочина на засмукване.	→ Намалете височината на засмукване.

Проблем	Възможна причина	Отстраняване
Помпата работи, но не засмуква	При други проблеми при засмукването използвайте GARDENA засмукващи маркучи с предпазител за обратно засмукване (виж. 8. АКЕСОАРИ) и преди въвеждане в експлоатация напълнете с изпомпвана течност през тръбната наставка за пълнене.	
Помпата не тръгва или спира внезапно по време на работа	Защитният терморекъсвач е изключил помпата поради претоварване.	→ Внимавайте за максималната температура на течността (35 °C).
	Помпата няма ток.	→ Проверете предпазителите и електрическите конектори.
	Защитният прекъсвач е сработил (утечен ток).	→ Изключете помпата от електрическата мрежа и се обърнете към сервиз на GARDENA.
	Помпата не е включена.	→ Натиснете бутона за Вкл./Изкл.
Помпата работи, но дебита внезапно пада	Краят на засмукващия маркуч не е във водата.	→ Натопете края на засмукващия маркуч по-дълбоко във водата.
	Замърсен смукателен филтър или възвратен клапан.	→ Почистете филтъра или възвратния клапан.
	Нехерметичност от страната на засмукване.	→ Отстранете течта.
	Работното колело на помпата блокира.	→ Развийте работното колело.
Поява на шум в хидравликата	При високи дебити (напр. отворен изход на маркуч, без аксесоар) в зоната на хидравликата на помпата може да се стигне до появата на шум. Същият не е опасен и не води до повреда на помпата. Шумът може да бъде отстранен чрез незначителна промяна на дебита (напр. леко отваряне/затваряне на приставка).	



УКАЗАНИЕ: При други повреди се обърчайте към Вашия сервизен център на GARDENA. Ремонтите трябва да бъдат изпълнявани само от сервизния център на GARDENA, както и от специализираните търговци, които са оторизирани от GARDENA.

7. ТЕХНИЧЕСКИ ДАННИ

Градинска помпа	Мярка	Стойност (Арт. 9010)	Стойност (Арт. 9014)
Номинална мощност	W	600	800
Напрежение на мрежата	V (AC)	230	230
Честота на мрежата	Hz	50	50
Макс. дебит	л/ч	3000	3700
Макс. налягане / макс. напорна височина	бар / м	3,5 / 35	4,1 / 41
Макс. самозасмукваща дълбочина	м	7	7
Допустимо вътрешно налягане (напорна страна)	бар	6	6
Захранващ кабел	м	1,5 (H07RN-F)	1,5 (H07RN-F)
Тегло	кг	5,3	8,2
Ниво на звуковата мощност $L_{WA}^{1)}$ измерено / гарантирано	дБ (A)	77 / 80	77 / 80
Погрешност $k_{WA}^{2)}$		3	2,36
Макс. температура на водата	°C	35	35

Метод на измерване съгласно: ¹⁾ RL 2000/14/EU ²⁾ ISO 4871

8. АКЕСОАРИ/РЕЗЕРВНИ ЧАСТИ

GARDENA засмукващи маркучи	Устойчив на речупване и вакуумно устойчив, продава се на метър Арт. 1720/1721 (19 мм (3/4")-/25 мм (1")) без арматури или на фиксирана дължина Арт. 1411/1418 комплект с фитинги.	
GARDENA Фитинги към засмукващия маркуч	За свързване откъм смукателната страна.	Арт. 1723/1724
GARDENA Комплект за свързване към помпа	За свързване откъм напорната страна.	Арт. 1750/1752

GARDENA смукател с възвратен клапан	За оборудване на засмукващ маркуч-доставян като дължина.	Арт. 1726/1727/1728
GARDENA филтър за помпи	Препоръчва се особено при изпомпване на пясъчлива вода.	Арт. 1730/1731
GARDENA електронен пресостат със защита срещу работа на сухо	Автоматично включва или изключва помпата в зависимост от работното налягане Със защита срещу работа на сухо.	Арт. 1739
GARDENA засмукващ маркуч за дренажни отвори	За устойчиво вакуумизирано свързване на помпата към дренажни отвори или тръбни системи. Дължина 0,5 м. От двете страни с 33,3 мм, (G 1)-вътрешна резба.	Арт. 1729
GARDENA Плаващ смукател	За засмукване без замърсяване под водната повърхност.	Арт. 1417
GARDENA Фитинг за помпа	За свързване на бърза връзка GARDENA на напорната страна.	Арт. 1745

9. ГАРАНЦИЯ/СЕРВИЗ

9.1 Регистрация на продукт:

Моля, регистрирайте продукта си на уебсайта gardena.com/registration.

9.2 Сервиз:

Актуалната информация за контакт с нашите служби ще намерите на гърба на последната страница и онлайн:

- България: <https://www.gardena.com/bg/poddrayka/savet/kontakt>

10. ИЗХВЪРЛЯНЕ

10.1 Изхвърляне на помпата:

(съгласно директива 2012/19/EC)



Продуктът не трябва да бъде изхвърлян заедно с обикновените битови отпадъци. Той трябва да бъде изхвърлен съгласно действащите местни разпоредби за опазване на околната среда.

ВАЖНО!

→ Изхвърлете продукта на или чрез Вашия местен събирателен пункт за рециклиране.

sq Pompë e kopshtit

1. KËSHILLA SIGURIE	44
2. MONTIMI	44
3. PËRDORIMI	45
4. MIRËMBAJTJA	45
5. MAGAZINIMI	45
6. NDREQJA E GABIMEVE	45
7. TË DHËNAT TEKNIKE	46
8. AKSESORË/PJESË KËMBIMI	46
9. GARANCIA/SERVISI	46
10. ASGJËSIMI	46

Përkthimi i mënyrës së përdorimit nga origjinali.



Ky produkt mund të përdoret nga fëmijët mbi 8 vjeç si dhe nga persona me aftësi të kufizuara fizike, sensorike dhe mentale ose me mungesë përvoja dhe dijesh, nëse ato do të jenë nën monitorim ose nëse janë instruktuar në lidhje me përdorimin e sigurt të produktit dhe kuptojnë rreziqet që rezultojnë nga kjo gjë. Fëmijët nuk lejohen të luajnë me produktin. Pastrimi dhe mirëmbajtja nga ana e përdoruesit nuk lejohet të kryhet nga fëmijë nëse nuk janë në monitorim. Ne këshillojmë përdorimin e produktit vetëm nga të rinjtë duke filluar nga 16 vjeç. Mos e përdorni pajisjen asnjëherë kur jeni jeni të lodhur ose të sëmurë nën efektin ose nën efektin e substancave narkotike, alkoolit apo medikamenteve.

Përdorimi i parashikuar:

Pompa e kopshtit GARDENA është projektuar për pompimin e ujërave nëntokësore dhe të shiut, të ujërave të rrjetit të ujësjellësit dhe ujërave që përmbajnë klor në kopshtet e shtëpisë dhe hobi.

Lëngjet për t'u pompaur:

Me GARDENA pompë e kopshtit duhet të pompohe vetëm ujë.

Gjatë përdorimit të pompës për shtimin e presionit, nuk duhet kaluar presioni maksimal i brendshëm i lejuar prej 6 bar (në krah të shkarkimit). Presioni i shkarkimit mbledhet me presionin e pompës.

- **Shembull:** Presioni në rubinet = 2,5 bar, presioni maks. i pompës së kopshtit Art. 9010 = 3,5 bar, presioni total = 6,0 bar.

Produkti nuk është i përshtatshëm për një përdorim për një kohë të gjatë (riqarkullim i vazhdueshëm).



RREZIK! Plagosje!

→ Nuk duhet të pompohe ujë me kripë, ujë i ndotur, lëngje gërryes, lehtësisht të djegshme, agresive ose lëngje shpërthyes (p.sh. benzina, nafta ose holluesi nitrogjeni), vajra, vaj ngrohjeje dhe ujë për konsum ushqimor.

1. KËSHILLA SIGURIE

ME RËNDËSI!

Lexoni me kujdes manualin e përdorimit dhe ruajeni atë që ta lexoni më vonë.

Simbolet mbi produkt:



Lexoni manualin e përdorimit.

Këshilla të përgjithshme sigurie

Siguria elektrike



RREZIK! Goditja elektrike!

Rrezik plagosjeje nga rryma elektrike.

→ Produkti duhet të furnizohet me rrymë elektrike nëpërmjet një ndërprerësi diferencial (RCD) me një rrymë nominative aktivizimi prej maksimumi 30 mA.



RREZIK! Rrezik plagosjeje!

Rrezik plagosjeje nga rryma elektrike.

→ Shkëputeni produktin nga rrjeti para se të mirëmbani ose ndërtoni pjesë. Për ta bërë këtë, priza duhet të gjendet në zonën tuaj pamore.

Përdorimi i sigurt

Temperatura e ujit nuk duhet të tejkalojë 35 °C.

Pompa nuk lejohet të përdoret kur në ujë ka njerëz.

Ndotja e lëngut mund të shkaktohet nga rrjedhja e lubrifikantëve.

Ndarësit e qarkut

Ndarësi termik i qarkut:

Në rast mbingarkese, pompë fiket nga ndarësit termik të integruar të qarkut. Pas ftohjes së mjaftueshme të motorit, pompa është gati përsëri për përdorim.

Këshilla sigurie shtesë

Siguria elektrike



RREZIK! Pushim zemre!

Gjatë punës, ky produkt gjeneron një fushë elektromagnetike. Në kushte të caktuara, kjo fushë mund të ndikojë mbi mënyrën e funksionimit të implantateve mjekësore aktive ose pasive. Për të përjashtuar rrezikun e situatave që mund të shkaktojnë plagosje të rënda ose vdekjeprurëse, personat me një implantat mjekësor duhet që para përdorimit të këtij produkti të konsultohen me mjekun e tyre dhe prodhuesin e implantatit.

Kabllo

Në rastin e përdorimit të kabllave zgjatues duhet që këto të fundit të përputhen me seksionet minimalë në tabelën e mëposhtme:

Tensioni	Gjatësia e kabullit	Seksioni
230 – 240 V/50 Hz	deri 20 m	1,5 mm ²
230 – 240 V/50 Hz	20 – 50 m	2,5 mm ²



RREZIK! Goditja elektrike!

Rrezik plagosjeje nga rryma elektrike.

→ Shkëputeni produktin nga rrjeti para se ta nxirrni jashtë operimi, ta mirëmbani ose të diagnostikoni gabimet.

Pompa duhet të vendoset e sigurt në qëndrim dhe ndaj përmblyes dhe të mbrohet kundër rrëzimit. Vendosni pompën në distancë sigurie (min. 2 m) nga lëngu i pompimit. Si siguri shtesë mund të përdoret një çelës i lejuar mbrojtës i personave.

→ Jeni të lutur të pyesni një elektrikist.

Në qoftë se linja e lidhjes në rrjet të kësaj pajisjeje dëmtohet, atëherë ajo duhet zëvendësuar nga prodhuesi ose nga shërbimi për klientët apo nga një person përkatësisht i kualifikuar, në mënyrë që të mënjanohehen rreziqet.

Mbroni spinën dhe kabllon elektrike nga nxehtësia, vaji dhe nga cepat e mprehtë. Mos e ngrini pompën duke e ngritur nga kabloja dhe mos e tërhiqni spinën nga priza me anë të kabllit.

Mos e vendosni pompën jashtë në shi dhe mos e përdorni pompën në ambient të lagësht.

Duhet të kontrolloni rregullisht kabllon e lidhjes.

Përpara përdorimit kontrolloni gjithmonë me sy pompën (veçanërisht kabllon e rrjetit dhe spinën).

Një pompë e dëmtuar nuk duhet përdorur. Në rast dëmtimi, pompën kontrolloni menjëherë pranë servisit GARDENA.

Kur përdorni pompat tona me një gjenerator, duhet të respektohen paralajmërimet e prodhuesit të gjeneratorit.

Siguria personale



RREZIK! Rreziku i mbytjes!

Pjesët e vogla mund të gëlltitet me lehtësi. Për shkak të qeseve plastike ekziston rreziku i mbytjes për fëmijë të vegjël. Mbajini larg fëmijët e vegjël gjatë montimit.



RREZIK! Rrezik plagosjeje nga uji i nxehtë!

Gjatë përdorimit për një periudhë kohe të gjatë (> 5 min.) me presion të bllokuar, uji në pompë mund të nxehet dhe në këtë mënyrë mund të shkaktojë lëndime nga uji i të nxehtë.

→ Pompën lëreni të punojë maks. 5 minuta me presion të bllokuar.

Gjatë mungesës së ujit thithës, uji që ndodhet në pompë mund të nxehet dhe gjatë derdhjes së tij mund të shkaktohen lëndime nga uji i nxehtë.

→ Pompën hiqeni nga priza e lidhur me siguresën e shtëpisë, ujin lëreni të ftohet dhe përpara se të përdoret përsëri, sigurojeni që uji të hyjë nga krahu thithës.

Gjatë vendosjes së pompës në përdorim, duhen mbajtur parasysht rregulloret e veçanta sanitare të vendeve të ndryshme, me qëllim që të pengohet rikthimi i ujërave jo të pijshëm në sistemin rrjedhës të ujit.

→ Jeni të lutur të pyesni specialistin sanitar.

Për të parandaluar funksionimit e pompës pa ujë, duhet pasur kujdes, që fundi i tubit thithës të vendoset në mes të vendit tërheqës.

→ Mbusheni pompën me lëngje përpara përdorimit deri në nxjerrjen e parë të lëngjeve (rreth 2 deri 3 l!).

Rëra dhe materialet e tjera të ashpra në lëngjet e qarkulluese, çojnë në bllokim të shpejtë dhe në rënie të rendimentit.

→ Për ujë me përmbajtje rëre, përdorni një parafiltër pompe.

Qarkullimi i ujit të ndotur p.sh. me gurë, me hala pishe etj., mund të çojë në dëmtimin e pompës.

→ Mos lejoni të qarkullojë ujë i ndotur.

2. MONTIMI



RREZIK! Plagosje!

Rrezik plagosje nëse produkti startohet pa vëmendje.

→ Shkëputni produktin nga furnizimi me energji para montimit të produktit.

Vendosja e pompës:

Vendi i pompës duhet të jetë i qëndrueshëm dhe i thatë dhe t'i sigurojë pompën një qëndrueshmëri të sigurt.

→ Pompa duhet të vendoset në distancë të sigurie (min. 2 m) nga uji.

Pompa duhet të vendoset në një ambient me pak lagështi dhe me ajrosje të mjaftueshme në zonën e ventilimit. Hapësira nga muret duhet të jetë e pakta 5 cm. Nuk duhet lejuar të thithen me anë të hapësirës së ventilimit mbeturina (p.sh. rërë ose dhe).

Rakordet plastike të zorrës së lidhjes në anën e thithjes dhe të presionit duhet të tërhiqen vetëm me dorë.

Lidhja e zorrës në anën e thithjes [Fig A1]:

Në anën thithëse mos përdorni tub me sistem hyrës në pompë!

→ Përdorni në anën e thithjes një zorrë thithëse kundër vakuimit, p.sh. **GARDENA** pajisje thithëse Art. 1411 ose **GARDENA** zorrë thithëse e vrimës së burimit Art. 1729.

Për të reduktuar kohën e rithithjes, rekomandojmë përdorimin e një zorre thithëse me parandalues të rrjedhjes së kundërt, i cili parandalon zbrazjen automatike të zorrës thithëse pas fikjes së pompës.

- Vidhoseni rakordin e lidhjes së pompës ② në lidhjen e anës së thithjes ①.
- Lidhni zorrën thithëse kundër vakuimit ③ me rakordin e lidhjes së pompës ② dhe vidhoseni atë hermetikisht.
- Për lartësi thithjeje mbi 4 m: fiksoni zorrën edhe thithëse ③ (p.sh. duke e lidhur me një shtyllë druri).
Pompa çlirohet nga pesha e tubit tërheqës.

Lidhja e zorrës në anën e presionit [Fig A2]:

Lidhja e pompës ④ është e pajisur me një filetë të brendshme 33,3 mm (G 1").

Për sistemin e lidhjes GARDENA nevojitet p.sh. një GARDENA rakord i lidhjes së pompës Art. 1745 (te Art. 9010 në setin e livrimit).

Me anë të sistemit ndërlidhës GARDENA mund të lidhen tuba 19 mm (3/4")-/16 mm (5/8") dhe 13 mm (1/2").

Diametri i tubit	Lidhja e pompës	
13 mm (1/2")	Pjesë e pompës për lidhje GARDENA	Art. 1750
16 mm (5/8")	Pjesë rubineti GARDENA	Art. 18202
	Pjesë tubi GARDENA	Art. 18216
19 mm (3/4")	Pjesë e pompës për lidhje GARDENA	Art. 1752

Një shfrytëzim i optimizuar të rendimentit të pompës arrihet nëpërmjet lidhjes së zorrave 19 mm (3/4") e kombinuar me, p.sh.

– GARDENA set lidhës i pomës Art. 1752,

ose me zorrët 25 mm (1") me

– GARDENA pjesë e filetuar me lidhje të shpejtë me filetë të jashtme Art. 7115/pjesë e zorrës me lidhje të shpejtë Art. 7103.

- Vetëm për Art. 9014: Përdorni shirit izolues ⑥ në filetën e jashtme rakordit të lidhjes së pompës.
- Vidhoseni rakordin e lidhjes së pompës ② në lidhjen e anës së presionit ④ (Vetëm për Art 9010 në setin e livrimit).
- Lidhni zorrën e presionit ⑤ me pjesën lidhëse të pompës ②.

Në rastin e lidhjes paralele të më shumë se një zorre/pajisje lidhjeje, rekomandojmë përdorimin e

– GARDENA shpërndarës me 2 ose 4 drejtime Art. 8193/8194, GARDENA valvul me 2 drejtime Art. 940,

të cilët mund të vidhosen direkt në rakordin e lidhjes së pompës ②.

3. PËRDORIMI



RREZIK! Plagosje!

Rrezik plagosje nëse produkti startohet pa vëmendje.

→ Shkëputni produktin nga furnizimi me energji elektrike para se të lidhni, rregulloni ose transportoni produktin.

Pompimi i ujit [Fig O1/O2]:



VINI RE! Përdorimi i pompës në të thatë.

→ Mbusheni pompën para çdo vënieje në punë deri në tejmbushje (rreth 2 deri 5 l) me ujë.

- Rrotulloni vidhosjen ⑥ në grykën mbushëse ⑦ me dorë.
- Mbushni ujë mbi grykën mbushëse ⑦ deri në tejmbushje (rreth 2 deri 5 l).
- Fiksoni vidhosjen ⑥ në grykën mbushëse ⑦ me dorë (mos përdorni pinca).
- Hapni valvulat ndarëse, nëse ka, në tubin e presionit (pajisje lidhëse, ndalimi i ujit, etj.).
- Zbrazni ujin e mbetur në zorrën e presionit ⑤, në mënyrë që ajri të mund të dalë gjatë procesit të thithjes.
- Lidhni pompën me furnizimin me energji elektrike.
- Mbajeni zorrën e presionit ⑤ min. 1 m vertikalisht mbi pompë lat, shtypni çelësin Ndezur/Fikur ⑧ dhe pritni derisa pompa të ketë thithur.

→ Nëse pompa pas 5 minutash nuk pompon ujë, fikeni pompën (shtypni çelësin Ndezur/Fikur ⑧) (shih 6. NDREQJA E GABIMEVE).

Lartësia maksimale e dhënë e vetëthithjes prej 7 m arrihet vetëm kur pompa është tejmbushur përmes grykës mbushëse ⑦ deri në tejmbushje

dhe zorra e presionit ⑤ gjatë vetëthithjes mbahet aq lart, saqë të mos dalë ujë nga pompa nëpërmjet zorrës së presionit ⑤.

Formimi i ndryshkut: Pompa Art. 9014 ka një kasë prej gize. Prandaj, pas kontaktit me ujë formohet ndryshk (ky nuk e dëmton pompën dhe nuk është pjesë e garancisë). Prandaj, pas ndezjes, në fillim mund të dalë ujë me ndryshk.

4. MIRËMBAJTJA



RREZIK! Plagosje!

Rrezik plagosje nëse produkti startohet pa vëmendje.

→ Shkëputni produktin nga furnizimi me energji para se ta mirëmbani produktin.

Larja e pompës:

Pas pompimit të ujit me klor pompa duhet të lahet.

- Pomponi ujë të vakët (max 35° C) duke shtuar një detergjent të butë (p.sh. pastrues) derisa uji i pompuar të jetë i pastër.
- Asgjësoni mbetjet sipas direktivave të ligjit për asgjësimin e mbetjeve.

5. MAGAZINIMI

Nxjerrja jashtë funksionit [Fig S1]:

Pompa nuk është e mbrojtur kundër ngricës!

Produkti duhet të ruhet në vende jo të aksesueshme nga fëmijët.

- Shkëputeni pompën nga furnizimi me energji.
- Nëse nevojitet, mbyllni të gjitha organet e ndalimit në anën e thithjes.
- Hapni të gjitha pikat e shkarkimit.
Ana e presionit bëhet pa ajër.
- Hapni vidhosjen ⑥ në grykën mbushëse ⑦ dhe vidën e shkarkimit të ujit ⑨.
Pompa do të zbrazet.
- Ruajeni pompën në një vend të thatë, të mbyllur dhe të sigurt kundër ngricave.

6. NDREQJA E GABIMEVE



RREZIK! Plagosje!

Rrezik plagosje nëse produkti startohet pa vëmendje.

→ Shkëputni produktin nga furnizimi me energji para se të ndreqni defektin e produktit.

Lirimi i helikës [Fig T1]:

Mund të jetë shkaktuar nga mbeturinat e mbetura në rrethin e brendshëm.

→ Rrotulloni boshtin e helikës ⑩ me një kaçavidë.

Në këtë mënyrë çlirohet rrethi i brendshëm nga mbeturinat.

Problemi	Shkaku i mundshëm	Ndihma
Pompa punon, por nuk thith	Tuba jo të hermetizuar ose të dëmtuar.	→ Kontrolloni nëse tubi i thithjes ka dëmtimet dhe izoloheni hermetikisht.
	Pompa nuk është mbushur me ujë.	→ Mbushni pompën (shih 3. PËRDORIMI).
	Lëngu qarkullues i hedhur në pompë, derdhet nëpërmjet procesit të thithjes nëpërmjet tubit që është vendosur në anën e presionit.	→ 1. Mbushni pompën edhe një herë (shih 3. PËRDORIMI). 2. Mbajeni, gjatë rivënies në punë të pompës, zorrën e presioni rreth 1 m vertikalisht mbi pompë lart, derisa pompa të ketë thithur.
	Një lidhje absolute e hermetizuar arrihet nëpërmjet përdorimit të tubave GARDENA (shih 8. AKSESORË).	
	Vidhosja në vendin e mbushjes nuk është e vidhosur hermetikisht.	→ Kontrolloni guarnicionin (nëse nevojitet, zëvendësojeni) dhe fiksoni filetën (mos përdorni pinca).
	Ajri nuk mund të dalë sepse ana e presionit është e mbyllur ose ka akoma ujë në tubin e presionit.	→ Hapni valvulat ndarëse që gjenden në tubin e presionit (p.sh. spërkatja) ose zbrazni zorrën e presionit.

Problemi	Shkaku i mundshëm	Ndihma
Pompa punon, por nuk thith	Nuk u respektua koha e pritjes.	→ Ndizeni pompën dhe pritni deri në 5 minuta.
	Filtri i thithjes ose pengesa e kthimit të ujit është e bllokuar.	→ Pastroni filtrin ose parandaluesin e rrjedhës së kundërt.
	Lartësi thithjeje tepër e lartë.	→ Ulni lartësinë e thithjes.
	Për probleme të tjera me thithjen, përdorni tuba me pengesat për kthimin e ujit GARDENA (shih 8. AKSESORË) dhe përpara vënies në përdorim mbusheni me lëngje qarkullues.	
Pompa nuk punon dhe ndalon papritur së funksionuari	Ndarësi termik i qarkut e ka fikur pompën për shkak të mbinxehjes.	→ Vini re temperaturën maksimale të lëngut (35° C).
	Pompa nuk ka energji elektrike.	→ Kontrolloni siguresat dhe lidhjet elektrike.
	Çelësi RCD është aktivizuar (rrymë me defekt).	→ Shkëputni pompën nga ushqimi me energji dhe kontakton GARDENA Service.
	Pompa nuk është ndezur.	→ Shtypni çelësin Ndezur/Fikur në Ndezur.
Pompa funksionon, por fuqia e qarkullimit ulet papritur	Skaji i zorrës së thithjes nuk është në ujë.	→ Zhyteni skajin e zorrës së thithjes më thellë në ujë.
	Është bllokuar filtri thithës ose pengesa e kthimit të ujit.	→ Pastroni filtrin e thithjes ose parandaluesin e rrjedhës së kundërt.
	Mos-hermetizimi në anën thithëse.	→ Mënjaoni mungesën e hermeticitit.
	Rrethi brendshëm është i bllokuar.	→ Lironi helikën.

Krijim zhurme në sektorin hidraulik

Në raste të rrjedhave të larta (p.sh. dalje e hapur e zorrës, pa aparat lidhës), në pjesën hidraulike të pompës, mund të përcillet me një zhvillim të lehtë zhurme. Por kjo është e padëmshme dhe nuk rezulton me dëmtimin e pompës. Zhurma mund të largohet me ndryshime të vogla të rrjedhjes (p.sh. me anë të hapjes/mbylljes së lehtë të jë aparatit lidhës).



KËSHILLË: Në rast defektesh të tjera ju lutemi, drejtojeni qendrës tuaj të servisit GARDENA. Riparimet lejohen të kryhen nga qendrat e servisit GARDENA si dhe nga tregtarët e specializuar të cilët janë të autorizuar nga GARDENA.

7. TË DHËNAT TEKNIKE

Pompë e kopshtit	Njësia	Vlera (Art. 9010)	Vlera (Art. 9014)
Fuqia nominale	W	600	800
Tensioni i rrjetit	V (AC)	230	230
Frekuenca e rrjetit	Hz	50	50
Sasia maks. thithëse	l/h	3000	3700
Presioni maks./lartësia maks. e hedhjes së ujit	bar / m	3,5 / 35	4,1 / 41
Lartësia maks. e tërheqjes së ujit	m	7	7
Presioni i brendshëm i lejuar (ana e thithjes)	bar	6	6
Kabloja lidhëse	m	1,5 (H07RN-F)	1,5 (H07RN-F)
Pesha	kg	5,3	8,2
Niveli i fuqisë akustike $L_{WA}^{1)}$ i matur/i garantuar Pasiguria $k_{WA}^{2)}$	dB(A)	77 / 80 / 3	77 / 80 / 2,36
Temperatura maks. e lëndëve të qarkullueshme	°C	35	35

Procesi i matjes në përputhje me: ¹⁾ RL 2000/14/EU ²⁾ ISO 4871

8. AKSESORË/PJESË KËMBIMI

GARDENA Tubat thithës	Rezistente ndaj përthyerjes dhe hermetike, sipas dëshirës janë të disponueshme materialet e Art. 1720/1721 (19 mm (3/4")-/25 mm (1")) pa armatura lidhëse ose si gjatësi fikse Art. 1411/1418 e pajisur me të gjithë armaturën lidhëse.	
GARDENA Pjesë lidhëse e tubit thithës	Për lidhjen e anës thithëse.	Art. 1723/1724
GARDENA Pjesë lidhëse e pompës	Për lidhjen në anën e presionit.	Art. 1750/1752

GARDENA Filtër thithës me ndalim të rikthimit të rrjedhjes	Për pjesën e tubit thithës materiali mund të matet.	Art. 1726/1727/1728
GARDENA Parafiltra për pompën	Veçanërisht sugjerohen për mbrojtjen nga qarkullimi i rërës me ujë.	Art. 1730/1731
GARDENA Çelës presioni elektrik	Ndez dhe fik pompën automatikisht në varësi të presionit të aktivitetit. Me siguresë ndaj thatësirës.	Art. 1739
GARDENA Tub burimi – tub thithës	Për lidhjen e hermetizuar të pompës me burime nëntokësore ose me tuba të palëvizshëm. Gjatësia 0,5 m. Me të dyja anët 33,3 mm, spirale e brendshme (G 1).	Art. 1729
GARDENA Thithja pluskuese	Për thithjen pa papastërti poshtë sipërfaqes së ujit.	Art. 1417
GARDENA Pjesa e lidhjes së pompës	Në lidhje të sistemit të lidhjes GARDENA në anën e presionit.	Art. 1745

9. GARANCIA/SERVISI

9.1 Regjistrimi i produktit:

Regjistrojeni produktin tuaj te [gardena.com/registration](https://www.gardena.com/registration).

9.2 Servisi:

Ju lutemi t'i gjeni detajet aktuale të kontaktit me shërbimin tonë në faqen e pasme dhe online:

- <https://www.gardena.com/int/support/advice/contact/>

10. ASGJËSIMI

10.1 Asgjësimi i pompës:

(sipas Direktivës 2012/19/BE)



Produkti nuk lejohet të asgjësohet me mbetjet normale të shtëpisë. Ai duhet të asgjësohet në përputhje me rregulloret lokale të mbrojtjes së mjedisit.

ME RËNDËSI!

→ Asgjësojeni produktin nëpërmjet qendrës tuaj vendore të grumbullimit dhe riciklimit.

et Aiapump

1. OHUTUSJUHISED	47
2. MONTAAŽ	47
3. KÄSITSEMINE	48
4. HOOLDUS	48
5. HOIULEPANEK	48
6. TÖRGETE KÖRVALDAMINE	48
7. TEHNILISED ANDMED	49
8. LISATARVIKUD/VARUOSAD	49
9. GARANTII/TEENINDUS	49
10. KASUTUSELT KÖRVALDAMINE	49

Instruktsioonide algupärandi tõlge.



Seda toodet võivad kasutada vähemalt 8 aasta vanused ja vanemad lapsed ning piiratud füüsiliste, sensorsete või vaimsete võimetega isikud ning puudulike kogemuste ja teadmistega isikud, kui neil on järelevaataja või kui neid on toote turvalise kasutamise osas juhendatud ning nad mõistavad sellest tulenevaid ohtusid. Lapsed ei tohi tootega mängida. Puhastust ega kasutaja poolset hooldust ei tohi lapsed teha ilma järelevaatajata. Me soovitame, et toodet kasutaks vähemalt 16-aastased isikud. Ärge mitte kunagi kasutage antud toodet, kui te olete väsinud, haige või alkoholi, uimastite või ravimite mõju all.

Otstarbele vastav kasutamine:

GARDENA Aiapump on ette nähtud põhja- ja vihmavee, kraanivee ning klooritud vee pumpamiseks era- ja harrastusaedades.

Pumbatavad vedelikud:

GARDENA aiapumbaga tohib pumbata ainult vett.

Pumba kasutamisel surve suurendamiseks ei tohi ületada maksimaalselt lubatud siserõhku (6 baari, survepoolel). Tõstetud väljundrõhk ja pumba rõhk tuleb omavahel liita.

- **Näide:** Rõhk veekraani juures = 2,5 bar, aiapumba art. nr. 9010 maksimaalne rõhk = 3,5 bar, kogurõhk = 6,0 bar.

Toode ei sobi pikaajaliseks käitamiseks (pideva tsirkulatsiooniga käitamiseks).



OHT! Kehavigastuste oht!

→ Pumbata ei tohi soolast vett, reovett, sööbivaid, kergesti süttivaid või plahvatusohtlikke aineid (nt bensiini, petrooleumi, nitrolahustit), õlisid, kütteõli ja toiduaineid.

1. OHUTUSJUHISED

TÄHELEPANU!

Lugege kasutusjuhend hoolikalt läbi ja hoidke see uuesti lugemiseks alles.

Tootel olevad sümbolid:



Lugege kasutusjuhendit.

Üldised ohutusjuhised

Elektriohutus



OHT! Elektrilöögi oht!

Vigastuste oht elektrivoolu tõttu.

→ Toode peab saama voolutoite rikkevoolukaitselüli (FI-lüli, RCD) kaudu, mille nimivool on maksimaalselt 30 mA.



OHT! Vigastuste oht!

Vigastuste oht elektrivoolu tõttu.

→ Enne, kui hakkate hooldust tegema või detaile välja vahetama, ühendage toode võrgust lahti. Seejuures peab pistikupesa paiknema teie vaateväljas.

Ohutu käitamine

Veetemperatuur ei tohi ületada 35 °C.

Pumpa ei tohi kasutada, kui vees on inimesi.

Lekkivate määrdeainete tõttu võib vedelik reostuda.

Kaitselülitid

Termokaitselüli:

Ülekoormuse korral lülitab sisseehitatud termiline mootorikaitse pumba välja. Pärast mootori piisavat mahajahtumist on pump uuesti käitamisevalmis.

Täiendavad ohutusjuhised

Elektriohutus



OHT! Südameseiskuse oht!

Antud toode tekitab käitamisel elektromagnetvälja. See väli võib teatud tingimustes mõjustada aktiivsete või passiivsete meditsiiniliste implantaatide toimimist. Et vältida selliste olukordade tekkimise oht, mis võivad kutsuda esile raskeid või surmavaid vigastusi, peaksid meditsiinilise implantaadiga isikud enne antud toote kasutamist konsulteerima oma arsti ja implantaadi tootjaga.

Kaablid

Pikenduskaablite kasutamise puhul peavad need vastama järgnevas tabelis olevatele minimaalsetele ristlõigetele:

Pinge	Kaabli pikkus	Ristlõige
230 – 240 V/50 Hz	Kuni 20 m	1,5 mm ²
230 – 240 V/50 Hz	20 – 50 m	2,5 mm ²



OHT! Elektrilöögi oht!

Vigastuste oht elektrivoolu tõttu.

→ Enne, kui hakkate kasutusest kõrvaldama, hooldama või vigu kõrvaldama, ühendage toode võrgust lahti.

Pump peab olema üles pandud stabiilselt ja ülejutuskindlalt ning olema sissekukkumise vastu kaitstud. Pange pump üles ohutule vahekaugusele (minimaalselt 2 m) pumbatavast vedelikust. Täiendava ohutuse tarbeks võib kasutada heakskiidetud isikukaitselülitit.

→ Küsige nõu elektrispetsialistilt.

Kui selle seadme võrguühendusjuhe on kahjustada saanud, siis ohtude vältimiseks tuleb lasta see vahetada tootja või tema klienditeeninduse või kellegi samase kvalifikatsiooniga isiku poolt.

Pistikut ja toitejuhet tuleb kaitsta kuumuse, õli ja teravate servade eest.

Ärge kandke pumba toitejuhtmest kinni hoides ega kasutage juhet pistiku väljatõmbamiseks pistikupesast.

Ärge hoidke pumba vihma käes ja ärge laske pumbal töötada märgades või niisketes tingimustes.

Kontrollige toitejuhet regulaarselt.

Enne kasutamist kontrollida alati vaatluse teel, kas pumbal (eelkõige aga toitejuhtmel ja pistikul) ei ole kahjustusi.

Kahjustunud pumba ei tohi kasutada. Pumba kahjustuse korral lasta pump tingimata GARDENA kliendihoolduses üle kontrollida.

Meie pumpade kasutamisel koos generaatoriga tuleb järgida generaatori tootja hoiautusjuhiseid.

Isiklik ohutus



OHT! Lämmumise oht!

Väiksemaid osi on võimalik kergesti alla neelata. Plastikkoti tõttu esineb lämmumise oht väikelastele. Hoidke väikelapsed montaaži ajal eemal.



OHT! Vigastuste oht kuuma vee tõttu!

Kui väljavoolu pool on kinni, võib pumba pikemat aega (> 5 min) töötamisel vesi pumbas kuumeneda, ettevaatust kuuma veega, vigastamise oht.

→ Kui väljavoolu pool on kinni, tohib pump töötada max 5 minutit.

Kui töötavale pumbale ei tule vett peale, võib vesi pumbas kuumaks minna ja kuuma vee väljavoolamise korral võib see põhjustada vigastusi.

→ Ühendada pump võrgust lahti maja kaitsest, lasta veel jahtuda ja enne uuesti kasutusele võtmist hoolitseda selle eest, et imemispool oleks tagatud vee pealevool.

Pumba ühendamisel veevarustusseadmega tuleb kinni pidada spetsiifilistest sanitaarnõuetest, et vältida olmevee sattumist veevarustusüsteemi.

→ Küsige nõu sanitaarala spetsialistilt.

Et vältida pumba kuivalt töötamist, kontrollige alati üle, et voolik oleks otsapidi pumbatavas vedelikus.

→ Täitke pump enne kasutusele võtmist alati kuni ülevooluni pumbatava vedelikuga (ca 2 kuni 3 l!).

Liiva ja muid abrasiivseid aineid sisaldava vedeliku pumpamine kiirendab pumba kulumist ja vähendab jõudlust.

→ Kui vesi sisaldab liiva, tuleb kasutada pumba eelfiltrit.

Prahine vesi, nt kivid, kuuseokkad vms, võib pumba kahjustada.

→ Mitte pumbata prahti täis vett.

2. MONTAAŽ



OHT! Kehavigastuste oht!

Vigastuste oht, juhul kui toode kogemata käivitub.

→ Enne, kui hakkate toodet monteerima, ühendage toode voolutoitest lahti.

Pumba paigaldamine:

Paigalduskoht peab olema stabiilne ja kuiv, kuna pump peab seisma kindlalt.

→ Pange pump üles ohutule vahekaugusele (minimaalselt 2 m) veest.

Pump tuleb asetada kohta, kus on madal õhuniiskus ja õhusavade juures on küllaldane õhuvahetus. Kaugus seinteni peab olema vähemalt 5 cm. Õhusavade kaudu ei tohi sisse tulla mustust (nt liiva ega mulda).

Imi- ja survepoolel olevad plastmassist ühendusdetailid tohib kinni keerata vaid käega.

Vooliku ühendamine imispoolele [joonis A1]:

Ärge kasutage sissevoolu poolel veevoolukite pistikühendusi!

→ Kasutage imispoolel vaakumikindlat imivoolikut, nt **GARDENA imigarnituuri (art. nr. 1411)** või **GARDENA pumbakaevu imivoolikut (art. nr. 1729)**.

Taassisseimu aja lühendamiseks soovime kasutada tagasivooluklapiga imivoolikut, mis takistab pärast pumba väljalülitamist imivooliku iseeneslikku tühjenemist.

1. Keerake pumba ühendusdetail ② imispoole ühendusse ①.
2. Ühendage vaakumikindel imivoolik ③ pumba ühendusdetailiga ② ja keerake see õhukindlalt kinni.
3. Üle 4 m imikõrguste puhul: kinnitage imivoolik ③ täiendavalt (nt siduge puudust vaia külge).
Nii ei lange imemisvooliku raskus pumbale.

Vooliku ühendamine survepoolele [joonis A2]:

Pumbaühendus ④ on varustatud 33,3 mm (G 1") sisekeermega. GARDENA pistiksüsteemi jaoks vajatakse nt GARDENA pumba ühendusdetalli, art. nr. 1745 (art. nr. 9010 puhul kuulub tarnekomplekti). GARDENA pistiksüsteemiga saab ühendada 19 mm (3/4")/16 mm (5/8") ja 13 mm (1/2") voolikut.

Vooliku läbimõõt	Pumba liitmik	
13 mm (1/2")	GARDENA Pumbaliitmiku komplekt	art. nr. 1750
16 mm (5/8")	GARDENA Kraanliide GARDENA Kiirliide	art. nr. 18202 art. nr. 18216
19 mm (3/4")	GARDENA Pumbaliitmiku komplekt	art. nr. 1752

Pumba pumpamisjõudluse optimaalne ärakasutamine saavutatakse tänu 19 mm (3/4") voolikute ühendamisele nt

– GARDENA pumba ühenduskomplektiga (art. nr. 1752),

või tänu 25 mm (1") voolikute ühendamisele

– GARDENA väliskeermega kiirliitmiku keermesühendusega (art. nr. 7115)/kiirliitmiku voolikühendusega (art. nr. 7103).

1. Ainult art. nr. 9014 puhul: kasutage pumba ühendusdetalli väliskeermel tihenduslinti ①.
2. Keerake pumba ühendusdetail ② survepoole ühendusse ④ (kuulub tarnekomplekti ainult art. nr. 9010 puhul).
3. Ühendage survevoolik ⑤ pumba ühendusdetalliga ②.

Rohkem kui ühe vooliku/ühendatud seadme paralleelse ühendamise puhul soovitage kasutada

– GARDENA 2- või 4-käigulist jagajat (art. nr. 8193/8194), GARDENA 2-käigulist klappi (art. nr. 940),

mida saab keerata otse pumba ühendusdetalli ② peale.

3. KÄSITSEMINE



OHT! Kehavigastuste oht!

Vigastuste oht, juhul kui toode kogemata käivitub.

→ Enne, kui toodet ühendama, seadistama või transportima hakkate, ühendage toode voolutoitest lahti.

Vee pumpamine [joonis O1/O2]:



TÄHELEPANU! Pump töötab kuival!

→ Täitke pump enne igat kasutuselevõttu kuni ülevooluni (ca 2 kuni 5 l) veega.

1. Keerake täiteotsikul ⑦ olev keermesühendus ⑥ käega otsa.
2. Lisage vett täiteotsiku ⑦ kaudu kuni ülevooluni (ca 2 bis 5 l) juurde.
3. Keerake täiteotsikul ⑦ olev keermesühendus ⑥ käega tugevasti kinni (ärge kasutage tange).
4. Avage võimalikud survevoolikus olemasolevad sulgurklapid (ühendusseadmed, veesulgur jne).
5. Tühjendage survevoolikus ⑤ olev jääkvesi, selleks et õhk saaks sissetõmbeprotsessi ajal välja pääseda.
6. Ühendage pump voolutoitega.
7. Hoidke survevoolikut ⑤ minimaalselt 1 m vertikaalselt pumba kohal ülespoole, vajutage sisse/välja lülilit ⑧ ja oodake, kuni pump on sisse tõmmanud.

→ Kui pump ca 5 minuti pärast vett ei pumpa, siis lülitage pump välja (vajutage sisse/välja lülilit ⑧) (vt 6. TÕRGETE KÕRVALDAMINE).

Äranäidatud maksimaalne iseseisva sissetõmbe kõrgus 7 m saavutatakse ainult siis, kui pump on täiteotsiku ⑦ kaudu kuni ülevooluni täidetud ning kui survevoolikut ⑤ hoitakse seejuures ja iseseisva sissetõmbe ajal sedavõrd ülespoole, et vesi ei saaks survevooliku ⑤ kaudu pumbast välja pääseda.

Rooste teke: pump (art. nr. 9014) on varustatud malmist korpusega. Pärast kokkupuudet veega hakkab seetõttu tekkima rooste (see ei kahjusta pumpa ja ei ole garantii koostisosaks). Seetõttu võib pärast sisselülitamist alguses välja tulla roostet sisaldavat vett.

4. HOOLDUS



OHT! Kehavigastuste oht!

Vigastuste oht, juhul kui toode kogemata käivitub.

→ Enne, kui hakkate toodet hooldama, ühendage toode voolutoitest lahti.

Pumba läbiloputamine:

Pärast klooritud vee pumpamist peab pumba läbi loputama.

1. Pumbake leiget vett (maksimaalselt 35 °C), vajaduse korral lisades õrna puhastusvahendit (nt nõudepesuvahendit), kuni pumbatav vesi muutub selgeks.
2. Korraldage jääkide jäätmekäitlus vastavalt jäätmeseaduse suunistele.

5. HOIULEPANEK

Kasutuselt kõrvaldamine [joonis S1]:

Pump ei ole pakasekindel!

Toodet peab säilitama lastele ligipääsmatuna.

1. Ühendage pump voolutoitest lahti.
2. Sulgege vajaduse korral kõik imipoolse sulgurseadised.
3. Avage kõik tühjenduskohad.
Survepool muutub rõhuvabaks.
4. Avage täiteotsikul ⑦ olev keermesühendus ⑥ ja vee tühjenduskork ⑨.
Pump tühjendatakse.
5. Pange pump hoiule kuiva, suletud ja pakasekindlasse kohta.

6. TÕRGETE KÕRVALDAMINE



OHT! Kehavigastuste oht!

Vigastuste oht, juhul kui toode kogemata käivitub.

→ Enne, kui hakkate toote tõrkeid kõrvaldama, ühendage toode voolutoitest lahti.

Tiiviku vabastamine [joonis T1]:

Prahiga kinni jäänud tiiviku saab uuesti liikuma panna.

→ Pöörake tiiviku ⑩ võlli kruvikeeraja abil.

Nii hakkab kinni jäänud tiivik uuesti liikuma.

Probleem	Võimalik põhjus	Kõrvaldamine
Pump töötab, aga ei ime	Imemisvoolik lekib või on kahjustunud.	→ Kontrollige, ega imivoolikul pole kahjustusi, ja tihendage see õhukindlalt.
	Pumpa ei täidetud veega.	→ Täitke pump (vt 3. KÄSITSEMINE).
	Täidetud vedelik voolab imemise alguses survepoolele ühendatud vooliku kaudu ära.	→ 1. Täitke pump veelkord (vt 3. KÄSITSEMINE). 2. Hoidke pumba uuesti kasutuselevõtul survevoolikut ca 1 m vertikaalselt pumba kohal ülespoole, kuni pump on sisse tõmmanud.
	Vaakumile täiesti vastupidava ühenduse annavad GARDENA imemisvoolikud (vt 8. LISATARVIKUD).	
	Täiteava ühendus lekib.	→ Kontrollige tihendit (vajaduse korral asendage see) ja tõmmake keermesühendus tugevasti kinni (ärge kasutage tange).
	Õhk ei saa välja tulla, kuna survepool on kinni või survevoolikus on veel vett sees.	→ Avage survevoolikus olemasolevad sulgurklapid (nt pritsiga) või tühjendage survevoolik.
	Ooteajast ei peetud kinni.	→ Lülitage pump sisse ja oodake kuni 5 minutit.
	Imemisvooliku imemisfilter või tagasivooluklapp on ummistunud.	→ Puhastage filter või tagasivooluklapp.
	Liiga kõrge imikõrgus.	→ Vähendage imikõrgust.

Probleem	Võimalik põhjus	Kõrvaldamine
Pump töötab, aga ei ime	Muude imemisega seotud probleemide puhul kasutada GARDENA tagasivooluklapiga imemisvoolikuid (vt 8. LISATARVIKUD) ja täita enne kasutusele võtmist täiteava kaudu pumbatava vedelikuga.	
Pump ei käivitu või seiskub töö ajal äkki	Termokaitseülilülitil on pumba ülekuumenemise tõttu välja lülitatud. Pumbal ei ole voolu. Rikkevoolukaitseülilülitil (RCD) on reageerinud (rikkevool). Pump ei ole sisse lülitatud.	→ Pidage kinni pumbatava vedeliku maksimaalsest temperatuurist (35 °C). → Kontrollige kaitsmeid ja elektrilisi pistikühendusi. → Ühendage pump voolutoitest lahti ja pöörduge GARDENA teeninduse poole. → Vajutage sisse/välja lülitil asendisse „Sisse“.
Pump töötab, aga jõudlus langeb järsult	Imivooliku ots ei ole vees. Imemisfilter või tagasivooluklapp on ummistunud. Lekk imemispoolel. Tiivik on blokeeritud.	→ Sukeldage imivooliku ots sügavamale vette. → Puhastage imifilter või tagasivooluklapp. → Kõrvaldage ebatiheidus. → Vabastage tiivik.
Müra teke hüdraulika piirkonnas	Suure läbivoolu (nt vooliku otsa ei ole midagi ühendatud) korral võib suurene müra pumba hüdraulika piirkonnas. See on tavaline nähtus ega kahjusta pumpa. Müra kaob, kui läbivoolu veidi vähendada (nt külgeühendatud seadme avamise/sulgemisega).	



JUHIS: Palun pöörduge muude rikete korral oma GARDENA teeninduskeskusesse. Parandusi tohivad teha ainult GARDENA teeninduskeskused ning GARDENA poolt volitatud spetsialiseerunud jaemüüjad.

7. TEHNILISED ANDMED

Aiapump	Ühik	Väärtus (art. nr. 9010)	Väärtus (art. nr. 9014)
Nimivõimsus	W	600	800
Võrgupinge	V (AC)	230	230
Võrgusagedus	Hz	50	50
Max jõudlus	l/h	3000	3700
Max rõhk/pumpamiskõrgus	bar / m	3,5 / 35	4,1 / 41
Max imemiskõrgus	m	7	7
Lubatud siserõhk (survepoolel)	bar	6	6
Ühendusjuhe	m	1,5 (H07RN-F)	1,5 (H07RN-F)
Kaal	kg	5,3	8,2
Müravõimsustase L_{WA}^1 mõõdetud / garanteeritud Määramatus k_{WA}^2	dB(A)	77 / 80 3	77 / 80 2,36
Max vee temperatuur	°C	35	35

Mõõtemeetod vastavalt: ¹⁾ RL 2000/14/EU ²⁾ ISO 4871

8. LISATARVIKUD/VARUOSAD

GARDENA Imemisvoolikud	Murdmiskindlad ja vaakumile vastupidavad, valikuliselt meetrikaup, art. nr. 1720/1721 (19 mm (3/4") / 25 mm (1")) ilma ühendusarmatuurideta või kindla pikkusega, art. nr. 1411/1418 koos ühendusarmatuuridega.	
GARDENA Imemisvooliku kinnituskomplekt	Imemispoollega ühendamiseks.	art. nr. 1723/1724
GARDENA Pumbaliitmiku komplekt	Survepoolega ühendamiseks.	art. nr. 1750/1752
GARDENA Imemisfilter tagasivooluklapiga	Imemisvoolikuga (meetrikaup) ühendamiseks.	art. nr. 1726/1727/1728
GARDENA Pumba eelfilter	Soovitatakse liiva sisaldavate vedelike pumpamiseks.	art. nr. 1730/1731
GARDENA Elektrooniline manomeeterülilülit	Lülitab pumba sõltuvalt töörihust automaatselt sisse ja välja. Kuivkäigu kaitsega.	art. nr. 1739
GARDENA Imemisvoolik	Pumba vaakumile vastupidavaks ühendamiseks rammkaevu või jäikade torude külge. Pikkus 0,5 m, 33,3 mm, (G 1) sisekeere mõlemas otsas.	art. nr. 1729

GARDENA Ujuv äratõmme	Mustusevabaks sissetõmbeks allpool veepinda.	art. nr. 1417
GARDENA pumba ühendusdetail	GARDENA pistiküsteemi ühendamiseks survepoolele.	art. nr. 1745

9. GARANTII/TEENINDUS

9.1 Toote registreerimine:

Registreerige oma toode aadressil gardena.com/registration.

9.2 Teenindus:

Meie teenuse praeguse kontaktteabe leiate tagaküljelt ja veebist:

- Eesti: <https://www.gardena.com/ee/tugi/nouanded/kontakt/>

10. KASUTUSELT KÕRVALDAMINE

10.1 Pumba utiliseerimine:

(vastavalt direktiivile 2012/19/EL)



Toodet ei tohi kasutuselt kõrvaldada koos tavaliste olmejäätmetega. Selle peab kasutuselt kõrvaldama vastavalt kehtivatele kohalikele keskkonnakaitse eeskirjadele.

TÄHELEPANU!

→ Kõrvaldage toode kasutuselt oma kohaliku taaskasutuse kogumisjaama kaudu või selle abil.

It Sodo siurblys

1. SAUGOS NURODYMAI	50
2. SURINKIMAS	50
3. NAUDOJIMAS	51
4. TECHNINĖ PRIEŽIŪRA	51
5. LAIKYMAS	51
6. GEDIMŲ ŠALINIMAS	51
7. TECHNINIAI DUOMENYS	52
8. PRIEDAI/ATSARGINĖS DALYS	52
9. GARANTIJA/SERVISAS	52
10. ŠALINIMAS	52

Instrukcijos originalo vertimas.



Šio gaminiu gali naudotis vyresni nei 8 metų vaikai bei asmenys, turintys fizinių, sensorinių ar protinių sutrikimų, arba neturintys patirties ir žinių, jei jie dirba prižiūrėti arba išmokomi dirbti saugiai ir atpažįsta galimus pavojus. Vaikai negali su gaminiu žaisti. Draudžiama vaikams atlikti valymo ir naudotojo atliekamus techninės priežiūros darbus, jei jie yra neprižiūrėti. Šį gaminį rekomenduojame naudoti jaunimui tiksliai nuo 16 metų. Niekada nesinaudokite gaminiu pavargę, sergantys ar apsvaigę nuo alkoholio, narkotikų ar vaistų.

Naudojimas pagal paskirtį:

GARDENA Sodo siurblys yra skirtas gruntiniam, lietaus, vandentiekio ir chloruotam vandeniui siurbti privačiame namų ir mėgėjų sode.

Siurbiami skysčiai:

GARDENA sodo siurbliu galima siurbti tiksliai vandenį.

Naudojant siurbli slėgio padidimui, maksimalus leistinas vidinis slėgis (slėginėje pusėje) neturi viršyti 6 barų. Didinamasis pradinis slėgis ir siurblio slėgis sumuojasi.

- **Pavyzdys:** Slėgis vandens čiaupe = 2,5 bar, maksimalus sodo siurblio gaminyje 9010 slėgis = 3,5 bar, bendras slėgis = 6,0 bar.

Šio gaminio negalima naudoti ilgą laiką (nuolatinės cirkuliacijos režimas).



PAVOJUS! Kūno sužalojimams!

→ Draudžiama siurbti sūrų vandenį, purviną vandenį, esdinančias, labai degias arba sprogias medžiagas (pvz., benzina, kt. naftos produktus, nitroskiediklius), alyvą, skystą kurą bei maisto produktus.

1. SAUGOS NURODYMAI

SVARBU!

Prašom atidžiai perskaityti eksploatavimo instrukciją ir ją išsaugoti, kad galėtumėte dar kartą perskaityti.

Simboliai ant gaminio:



Perskaitykite eksploatavimo instrukciją.

Bendrieji saugos nurodymai

Elektros sauga



PAVOJUS! Elektros smūgis!

Susižeidimo pavojus elektros srove.

→ Į gaminį srovė turi būti paduodama per FI jungiklį (RCD), kurio didžiausia nominali paleidimo srovė yra 30 mA.



PAVOJUS! Sužalojimo pavojus!

Susižeidimo pavojus elektros srove.

→ Prieš atlikdami techninės priežiūros darbus ar keisdami dalis ištraukite kištuką iš tinklo. Kištukinis lizdas turi būti Jūsų matomumo zonoje.

Saugus eksploatavimas

Vandens temperatūra negali viršyti 35 °C.

Siurblio negalima naudoti, jei vandenyje yra asmenų.

Skystis gali būti užterštas ištekanciais tepalais.

Apsauginis jungiklis

Terminės apsaugos jungiklis:

Esant perkrovai siurblys išjungiamas įmontuota termine variklio apsauga.

Varikliui pakankamai atvėsus, siurblys yra vėl pasiruošęs darbui.

Papildomi saugos nurodymai

Elektros sauga



PAVOJUS! Širdies sustojimas!

Eksploatavimo metu šis gaminys sukuria elektromagnetinį lauką. Tam tikromis sąlygomis šis laukas gali aktyviai ar pasyviai paveikti medicininį implantų veikimą. Kad būtų išvengta pavojaus situacijų, kurios gali sukelti sunkius ar mirtinus sužalojimus, asmenys su medicininiais implantais prieš šio gaminio naudojimą turi pasikonsultuoti su savo gydytoju arba implantų gamintoju.

Kabeliai

Jei naudojami pailginimo kabeliai, jie turi atitikti tolimesnėje lentelėje nurodytus minimalius skerspjūvius:

Įtampa	Kabelio ilgis	Skerspjūvis
230 – 240 V/50 Hz	Iki 20 m	1,5 mm ²
230 – 240 V/50 Hz	20 – 50 m	2,5 mm ²



PAVOJUS! Elektros smūgis!

Susižeidimo pavojus elektros srove.

→ Prieš baigdami eksploatuoti gaminį, atlikdami techninę priežiūrą ar šalinami gedimus atjunkite jį nuo maitinimo tinklo.

Siurblys turi būti pastatytas taip, kad neapvirštu, nebūtų apsemtas ir negalėtų įkristi į vandenį. Siurbį statykite saugiu (mažiausiai 2 m) atstumu iki darbinio skysčio. Kaip papildomą apsauginį įtaisą galima naudoti aprobuotą apsauginį jungiklį.

→ Jeigu kiltų klausimų, kreipkitės į elektros specialistą.

Jei šio prietaiso elektros maitinimo kabelis sugadintas, jį turi pakeisti gamintojas, jo klientų aptarnavimo centras arba panašiai kvalifikuotas asmuo, kad būtų išvengta pavojų.

Saugokite tinklo kištuką ir maitinimo kabelį nuo karščio, alyvos ir aštrių kampų.

Neneškite siurblio už kabelio ir nenaudokite kabelio ištraukti kištuką iš lizdo.

Nepalikite siurblio per lietu ir nenaudokite siurblio šlapioje arba drėgnoje aplinkoje.

Reguliariai tikrinkite maitinimo laidą.

Prieš naudojimą visada apžiūrėkite siurbį (ypač maitinimo kabelį ir tinklo kištuką).

Nenaudokite sugadinto siurblio. Sugadintą siurbį būtina turi patikrinti GARDENA servisas.

Mūsų siurblius naudojant su generatoriumi reikia atkreipti dėmesį į generatoriaus gamintojo įspėjimus.

Asmeninė sauga



PAVOJUS! Uždusimo pavojus!

Mažomis dalimis galima greitai užspringti. Dėl plastikinio maišelio mažiems vaikams kyla uždusimo pavojus. Todėl surinkimo metu maži vaikai turi būti kuo toliau nuo jūsų.



PAVOJUS! Sužalojimo pavojus karštu vandeniu!

Ilgai eksploatuojant (> 5 min.), kai slėginė pusė uždaryta, gali įkaisti siurblio vanduo, todėl galima susižeisti karštu vandeniu.

→ Kai slėginė pusė uždaryta, siurbliui leisti dirbti ne ilgiau kaip 5 minutes.

Esant nepakankamam vandens padavimui siurbimo pusėje gali įkaisti siurblio vanduo – jam ištekant iš siurblio galima susižeisti karštu vandeniu.

→ Išjunkite siurbį iš tinklo per namų saugiklį, leiskite atvėsti vandeniui ir prieš pakartotiną paleidimą į eksploataciją užtikrinkite vandens padavimą slėginėje pusėje.

Siurbį prijungiant prie vandens tiekimo įrenginių, būtina laikytis šalyje galiojančių sanitarinių instrukcijų, kad būtų išvengta negeriamojo vandens atgalinio įsiurbimo.

→ Prašome pasiteirauti pas kvalifikuotą santechniką.

Norėdami išvengti siurblio veikimo sausa eiga, atkreipkite dėmesį, kad siurbimo žarnos galiukas visada būtų įmerkta į siurbiamą skystį.

→ Visada sklidinai pripildykite siurbį siurbiamu skysčiu (apie 2 – 3 l) prieš paleidžiant į eksploataciją!

Siurbiamame skystyje esantis smėlis ir kitos abrazyvinės medžiagos greitina nusidėvėjimą ir mažina pajėgumą.

→ Jei vanduo smėlingas, naudokite siurblio priešfiltrą.

Nešvaraus vandens siurbimas, pvz., su akmenimis, spygliais ir t. t. gali sugadinti siurbį.

→ Nesiuurbkite nešvaraus vandens.

2. SURINKIMAS



PAVOJUS! Kūno sužalojimai!

Jei gaminys įsijungia atsitiktinai, kyla sužalojimo pavojus.

→ Prieš montuodami gaminį atjunkite jį nuo maitinimo tinklo.

Įrengti siurbį:

Įrengimo vieta turi būti tvirta ir sausa bei užtikrinti, kad siurblys stovės tvirtai.

→ Siurbį statykite saugiu (mažiausiai 2 m) atstumu iki vandens.

Siurbį reikia statyti tokioje vietoje, kur yra žema oro drėgmė ir pakankama ventiliacija prietaiso ventiliacijos angų zonoje. Atstumas tarp siurblio ir sienų turi būti ne mažesnis kaip 5 cm. Per ventiliacijos angas neturi būtų įsiurbiami nešvarumai (pvz., smėlis arba žemė).

Plastikines jungtis siurbimo ir slėginėje pusėje galima priveržti tik ranka.

Prijungti žarną prie siurbimo pusės [pav. A1]:

Siurbimo pusėje nenaudokite žarnos sujungimo sistemos dalių!

→ Siurbimo pusėje naudokite vakuumui atsparią siurbimo žarną, pvz., GARDENA siurbimo rinkinį, gaminys 1411, arba GARDENA grežtinių skylių siurbimo žarną, gaminys 1729.

Įsiurbimo laikui sutrumpinti rekomenduojame naudoti siurbimo žarną su atbulinės tėkmės vožtuvu, kuris neleidžia iš siurbimo žarnos savaime ištekėti vandeniui išjungus siurbį.

- Įsukite siurblio jungtį ② į siurbimo pusės jungtį ①.
- Sujunkite vakuumui atsparią siurbimo žarną ③ su siurblio jungtimi ② ir ją sandariai priveržkite.
- Jei siurbimo aukštis didesnis nei 4 m: Pritvirtinkite siurbimo žarną ③ papildomai (pvz., priiškite prie statramsčio).
Siurbimo žarnos svoris mažiau veikia siurbį.

Prijungti žarną prie slėgio pusės [pav. A2]:

Siurblio jungtyje ④ yra 33,3 mm skersmens (G 1) vidinis sriegis.

GARDENA jungčių sistemai yra reikalinga pvz., GARDENA siurblio jungtis, gaminys 1745 (jeina į gaminio 9010 komplektaciją).

Naudojant GARDENA jungčių sistemą galima prijungti 19 mm (3/4")/16 mm (5/8") ir 13 mm (1/2") žarnas.

Žarnos skersmuo	Siurblio jungtis	
13 mm (1/2")	GARDENA Siurblio jungimo rinkinys	gaminys 1750
16 mm (5/8")	GARDENA Čiaupo jungtis	gaminys 18202
	GARDENA Žarnos jungtis	gaminys 18216
19 mm (3/4")	GARDENA Siurblio jungimo rinkinys	gaminys 1752

Optimaliai išnaudoti siurblio našumą galima prie siurblio prijungiant 19 mm (3/4") skersmens žarnas kartu su, pvz.,

– GARDENA siurblio jungčių rinkiniu, gaminys 1752,

arba 25 mm (1") skersmens žarnas su

– **GARDENA greito jungimo sriegine jungtimi su išoriniu sriegiu, gaminy 7115/greito jungimo žarnos jungtimi, gaminy 7103.**

1. Tikrai gaminy 9014: Ant siurblio jungties išorinio sriegio naudokite sandarinimo juostą ①.
2. Įsukite siurblio jungtį ② į slėgio pusės jungtį ④ (jeina tikrai į gaminio 9010 komplektaciją).
3. Sujunkite slėginę žarną ⑤ su siurblio jungtimi ②.

Norint vienu metu prijungti daugiau nei vieną žarną/laistymo priedą rekomenduojame naudoti

– **GARDENA dviejų arba keturių kanalų skirstytuvą, gaminy 8193/8194, GARDENA dvigubą čiaupo jungtį, gaminy 940,**

kuriuos galima priveržti tiesiai ant siurblio jungties ②.

3. NAUDOJIMAS



PAVOJUS! Kūno sužalojimams!

Jei gaminys įsijungia atsitiktinai, kyla sužalojimo pavojus.

→ **Prieš prijungdami, nustatydami arba transportuodami gaminį atjunkite jį nuo maitinimo tinklo.**

Siurbti vandenį [pav. O1/O2]:



DĖMESIO! Siurblys veikia sausa eiga!

→ **Prieš pradėdami eksploatuoti sklidinai pripildykite siurblių vandeniu (apie 2 – 5 l).**

1. Ranka atsukite srieginį sujungimą ⑥ ant pildymo atvamzdžio ⑦.
2. Sklidinai pripildykite vandens per pildymo atvamzdį ⑦ (apie 2 – 5 l).
3. Ranka prisukite srieginį sujungimą ⑥ ant pildymo atvamzdžio ⑦ (nenaudokite replių).
4. Jei yra, atidarykite uždarymo vožtuvus slėgio linijoje (laistymo priedai, vandens sustabdymo antgaliai ir t.t.).
5. Pašalinkite vandens likučius slėginėje žarnoje ⑤, kad įsiurbimo metu pasišalintų oras.
6. Prijunkite siurblių prie maitinimo tinklo.
7. Laikykite slėginę žarną ⑤ iškelta statmenai virš siurblio ne mažiau kaip 1 m į viršų, paspauskite įjungimo/išjungimo mygtuką ⑧ ir palaukite, kol siurblys įsiurbia skystį.

→ **Jei maždaug po 5 minučių siurblys nesiurbia vandens, siurblių išjunkite (paspauskite įjungimo/išjungimo mygtuką ⑧) (žr. 6. GEDIMŲ ŠALINIMAS).**

Nurodytas didžiausias 7 m savaiminio įsiurbimo aukštis pasiekiamas tik tuomet, kai siurblys pripildomas sklidinai per pildymo atvamzdį ⑦ ir savaiminio įsiurbimo metu slėginė žarna ⑤ laikoma pakelta tiek, kad per slėginę žarną ⑤ iš siurblio negalėtų pasišalinti vanduo.

Rūdžių susidarymas: Siurblio, gaminy 9014, korpusas yra iš ketaus. Todėl po sąlyčio su vandeniu susidaro rūdys (tai nekenkia siurbliui ir neįeina į garantiją). Tad įjungus iš pradžių gali ištekėti vanduo su rūdimis.

4. TECHNINĖ PRIEŽIŪRA



PAVOJUS! Kūno sužalojimams!

Jei gaminys įsijungia atsitiktinai, kyla sužalojimo pavojus.

→ **Prieš atlikdami gaminio techninę priežiūrą atjunkite jį nuo maitinimo tinklo.**

Praplauti siurbli:

Jei buvo siurbiamas chloruotas vanduo, siurbli reikia praplauti.

1. Siurbkite šiltą vandenį (maks. 35 °C) tol, kol siurbiamas vanduo bus skaidrus, galite pridėti švelnios valymo priemonės (pvz., indų ploviklio).
2. Likučius šalinkite pagal atliekų tvarkymo įstatymo nuostatas.

5. LAIKYMAS

Naudojimo pabaiga [pav. S1]:

Siurblys nėra atsparus šalnoms!

Gaminį laikykite vaikams neprieinamoje vietoje.

1. Atjunkite siurbli nuo maitinimo tinklo.
2. Prireikus siurbimo pusėje užsukite visus uždarymo įtaisus.
3. Atidarykite visas ėmimo angas.
Slėgio pusėje nebelieka slėgio.
4. Atsukite srieginį sujungimą ⑥ ant pildymo atvamzdžio ⑦ ir vandens drenažinį varžtą ⑨.
Iš siurblio išleidžiamas vanduo.
5. Laikykite siurbli sausoje, uždaroje ir nuo šalčio apsaugotoje vietoje.

6. GEDIMŲ ŠALINIMAS



PAVOJUS! Kūno sužalojimams!

Jei gaminys įsijungia atsitiktinai, kyla sužalojimo pavojus.

→ **Prieš šalindami gaminio gedimus atjunkite jį nuo maitinimo tinklo.**

Rotoriaus atsukimas [pav. T1]:

Dėl nešvarumų užstrigusį rotorių galima atlaisvinti.

→ Atsuktuvu pasukite rotoriaus veleną ⑩.

Taip atlaisvinsite užstrigusį rotorių.

Problema	Galima priežastis	Sutrikimo/gedimo pašalinimas
Siurblys veikia, bet nesiurbia	Nesandari arba sugadinta siurbimo linija.	→ Patikrinkite siurbimo liniją, ar nesugadinta, ir ją sandariai užsandarinkite.
	Siurblys nepripildytas vandeniu.	→ Pripildykite siurbli (žr. 3. NAUDOJIMAS).
	Įpiltas siurbimo skystis išbėga savaiminio įsiurbimo metu per žarną, prijungtą prie slėginės pusės.	→ 1. Dar kartą pripildykite siurbli (žr. 3. NAUDOJIMAS). 2. Pradėdami vėl eksploatuoti laikykite slėginę žarną iškelta statmenai virš siurblio apie 1 m į viršų, kol siurblys įsiurbia skystį.
	Visiškai vakuumui atsparus sujungimas galimas naudojant – GARDENA siurbimo žarnas (žr. 8. PRIEDA).	
	Nesandari jungtis su sriegiu šalia užpildymo angos.	→ Patikrinkite sandariklį (jei reikia, pakeiskite) ir priveržkite srieginį sujungimą (nenaudokite replių).
	Oras negali pasišalinti, nes slėginė pusė uždaryta arba likęs vanduo slėginėje žarnoje.	→ Atidarykite uždarymo vožtuvus, esančius slėgio linijoje (pvz., laistymo antgalius) ir išleiskite vandenį iš slėginės žarnos.
	Nebuvo laikytasi laukimo trukmės.	→ Įjunkite siurbli ir palaukite apie 5 minutes.
	Siurbimo žarnoje užsikimšęs siurbimo filtras arba atbulinės tėkmės vožtuvas.	→ Išvalykite filtrą arba atbulinės tėkmės vožtuvą.
	Per aukštas siurbimo aukštis.	→ Sumažinkite siurbimo aukštį.
	Iškilius kitoms įsiurbimo problemoms naudoti GARDENA siurbimo žarnas su atbulinės tėkmės vožtuvu (žr. 8. PRIEDA) ir prieš paleidžiant į eksploataciją pripildyti siurbiamu skystiu per užpildymo angą.	
Siurblys neįsijungia arba staiga sustoja eksploatavimo metu	Dėl perkaitimo terminės apsaugos jungiklis išjungė siurbli.	→ Atkreipkite dėmesį į maksimalią skystio temperatūrą (35 °C).
	Siurblys be elektrosrovės.	→ Patikrinkite saugiklius ir elektros kištukines jungtis.
	Suveikė skirtuminės srovės įtaisas (RCD) (srovės nuotėkis).	→ Atjunkite siurbli nuo maitinimo tinklo ir kreipkitės į GARDENA servisą.
Neįjungtas siurblys.		→ Įjungimo/išjungimo jungiklį paspauskite į padėtį „įjungti“.
Siurblys veikia, tačiau skystis srautas staiga pradeda mažėti	Siurbimo žarnos galiukas ne vandenyje.	→ Panardinkite siurbimo žarnos galiuką į vandenį.
	Užsikimšęs siurbimo filtras arba atbulinės tėkmės vožtuvas.	→ Išvalykite siurbimo filtrą arba atbulinės tėkmės vožtuvą.
	Nuotėkis siurbimo pusėje.	→ Pašalinkite nesandarias vietas.
Užblokuotas rotorius.		→ Atlaisvinkite rotorių.

Problema	Galima priežastis	Sutrikimo / gedimo pašalinimas
Atsirađę garsai hidraulikos srityje	Esant dideliems srautams (pvz., atidarytas žarnos išėjimas, be laistymo įtaiso), gali atsirasti garsas siurblio hidraulikos zonoje. Tai nėra pavojinga, ir siurblys dėl to nesusigadins. Šį garsą galima panaikinti šiek tiek pakeitus srautą (pvz., lengvai atidarius/ uždarius laistymo įtaisą).	



PASTABA: Kitų sutrikimų / gedimų atveju kreipkitės į GARDENA serviso centrą. Remontą gali atlikti tiksliai GARDENA serviso centrai bei specializuoti prekybininkai, kuriuos įgalioja firma GARDENA.

7. TECHNINIAI DUOMENYS

Sodo siurblys	Vienetas	Vertė (gaminys 9010)	Vertė (gaminys 9014)
Vardinė galia	W	600	800
Tinklo įtampa	V (AC)	230	230
Tinklo dažnis	Hz	50	50
Maksimalus našumas	l/h	3000	3700
Maksimalus slėgis / maksimalus kėlimo aukštis	bar / m	3,5 / 35	4,1 / 41
Maksimalus siurbimo aukštis	m	7	7
Leistinas vidinis slėgis (slėgio pusėje)	bar	6	6
Maitinimo kabelis	m	1,5 (H07RN-F)	1,5 (H07RN-F)
Svoris	kg	5,3	8,2
Garso galios lygis $L_{WA}^{1)}$ išmatuotas / garantuotas Neapibrėžtis $k_{WA}^{2)}$	dB(A)	77 / 80 3	77 / 80 2,36
Maksimali skysčio temperatūra	°C	35	35

Matavimo metodai pagal: ¹⁾ RL 2000/14/EU ²⁾ ISO 4871

8. PRIEDAI/ATSARGINĖS DALYS

GARDENA Siurbimo žarnos	Neužsilenkia ir atsparios vakuumui, parduodamos metrais be jungiamųjų detalių (19 mm (3/4") arba 25 mm (1")), gaminys 1720/1721 arba nustatyto ilgio pilnai su jungiamosiomis detalėmis, gaminys 1411/1418.	
GARDENA Siurbimo žarnos jungiamosios detalės	Skirtos jungti prie siurbimo pusės.	gaminys 1723/1724
GARDENA Siurblio jungimo rinkinys	Skirtas jungti prie slėginės pusės.	gaminys 1750/1752
GARDENA Siurbimo filtras su atbulinės tėkmės vožtuvu	Jungiamas su siurbimo žarnos, parduodamomis metrais.	gaminys 1726/1727/1728
GARDENA Siurblio priešfiltris	Ypač rekomenduojama siurbiant smėlingą skystį.	gaminys 1730/1731
GARDENA Elektroninis manometrinis jungiklis	Priklausomai nuo darbinio slėgio automatiškai įjungia ir išjungia siurbli. Su sauso veikimo apsauga.	gaminys 1739
GARDENA Grežtinių skylių siurbimo žarna	Siurbliui sandariai prijungti prie grežtinių skylių arba standžių vamzdžių. Abejose pusėse su 33,3 mm (G 1) vidiniu sriegiu.	gaminys 1729
GARDENA Plūdinis nusiurbimo įtaisas	Įsiurbimui be nešvarumų žemiau vandens paviršiaus.	gaminys 1417
GARDENA Siurblio jungti	GARDENA jungčių sistemai prijungti prie slėgio pusės.	gaminys 1745

9. GARANTIJA/SERVISAS

9.1 Gaminio registracija:

Užregistruokite gaminį svetainėje gardena.com/registration.

9.2 Servisas:

Techninės priežiūros tarnybos kontaktinę informaciją rasite galiniame viršelyje ir internete:

- Lietuva: <https://www.gardena.com/lt/pagalba/>

10. ŠALINIMAS

10.1 Siurblio šalinimas:

(Pagal Direktyvą 2012/19/ES)



Gaminio negalima šalinti su įprastomis buitinėmis atliekomis. Jį reikia šalinti pagal galiojančius vietinius aplinkosaugos reikalavimus.

SVARBU!

→ Šalinkite gaminį vietiniame komunaliniame atliekų surinkimo ir perdavimo punkte.

IV Dārza sūknis

1. DROŠIBAS NORĀDĪJUMI	52
2. MONTĀŽA	53
3. LIETOŠANA	54
4. APKOPE	54
5. UZGLABĀŠANA	54
6. KĻŪDU NOVĒRŠANA	54
7. TEHNISKIE DATI	55
8. PIEDERUMI/REZERVES DAĻAS	55
9. GARANTIJA/SERVISS	55
10. UTILIZĀCIJA	55

Originālās instrukcijas tulkojums.



Ar šo izstrādājumu drīkst strādāt tikai personas, kas ir vecākas par 8 gadiem. Personas ar ierobežotām psihiskām, fiziskām vai garīgām spējām, kā arī personas, kurām nav pietiekamas pieredzes un zināšanu, drīkst lietot izstrādājumu tikai citas personas uzraudzībā vai pēc instruktažas par drošu izstrādājuma lietošanu un ar to saistītiem riskiem. Bērni nedrīkst spēlēt ar izstrādājumu. Bērni nedrīkst veikt izstrādājuma tīrīšanu un apkopi, kas jāveic lietotājam, bez pieaugušo uzraudzības. Mēs iesakām ar izstrādājumu strādāt tikai personām, kas ir sasniegušas 16 gadu vecumu. Nelietojiet izstrādājumu, kad esat noguris, slims vai lietojis alkoholu, narkotikas vai medikamentus.

Lietošana atbilstoši noteiktajam mērķim:

GARDENA Dārza sūknis ir paredzēts gruntsūdens un lietus ūdens, ūdensvada ūdens un hloru saturoša ūdens sūkņšanai privātmājā un dārziņā.

Sūknējamie šķidrumi:

Ar GARDENA dārza sūkni atļauts sūknēt tikai ūdeni.

Izmantojot sūkni spiediena palielināšanai, nedrīkst tikt pārsniegts maksimāli pieļaujama iekšējais spiediens 6 bar (spiediena pusē). Paaugstināmais izejas spiediens un sūkņa spiediens sasummējas kopā.

- **Piemērs:** spiediens ūdens krānā = 2,5 bar, dārza sūkņa maks. spiediens preces nr. 9010 = 3,5 bar, kopējais spiediens = 6,0 bar.

Izstrādājums nav paredzēts darbam nepārtrauktā režīmā (nepārtrauktas recirkulācijas režīms).



BĪSTAMI! Miesas bojājums!

→ Nedrīkst sūknēt sālsūdeni, notekūdeni, kairinošus, viegli uzliesmojošus, agresīvus vai sprādzienbīstamus šķidrumus (piemēram, benzīnu, petroleju vai nitro šķīdinātājus), eļļas, šķidro kuriņā un pārtikas produktus.

1. DROŠIBAS NORĀDĪJUMI

SVARĪGI!

Lūdzu, uzmanīgi izlasiet un rūpīgi uzglabāiet šo lietošanas instrukciju.

Simboli uz izstrādājuma:



Izlasiet lietošanas instrukciju.

Vispārīgie drošības norādījumi

Elektriskā drošība



BĪSTAMI! Strāvas trieciens!

Elektriskā strāva izraisa traumu gūšanas risku.

→ Izstrādājumam jābūt aprīkotam ar FI slēdzi (RCD) ar nominālo aktivācijas strāvu maksimāli 30 mA.



BĪSTAMI! Miesas bojājumu gūšanas risks!

Elektriskā strāva izraisa traumu gūšanas risku.

→ Atslēdziet izstrādājumu no tīkla, pirms veicat tehniskās apkopes darbus vai detaļu nomaiņu. Rozetei jāatrodas Jūsu redzes laukā.

Drošs darbs

Ūdens temperatūra nedrīkst pārsniegt 35 °C.

Sūkni nedrīkst lietot, ja ūdeni atrodas cilvēki.

Šķidrums piesārņojumu varētu izraisīt izplūdušas smērvielas.

Aizsardzības slēdzis

Termoslēdzis:

Pārslodzes gadījumā iebūvētais siltumjutīgais drošības slēdzis iniciē sūkņa izslēgšanu. Pēc tam, kad sūkns ir pietiekami atdzisis, tas atkal ir gatavs darbam.

Papildus drošības norādījumi

Elektriskā drošība



BĪSTAMI! Sirds apstāšanās!

Šis izstrādājums darba laikā rada elektromagnētisko lauku. Šis lauks noteiktos apstākļos var ietekmēt pasīvu vai aktīvu medicīnisko implantātu funkcionēšanu. Lai nepieļautu tādas situācijas, kurās cilvēki var gūt smagus vai nāvīgus ievainojumus, cilvēkiem ar medicīnisko implantātu pirms izstrādājuma lietošanas ieteicams konsultēties ar ārstu vai implantāta ražotāju.

Kabelis

Lietojot pagarināšanas kabelus, to minimālajam šķērsgrīzumam jāatbilst sekojošai tabulai:

Spriegums	Kabeļa garums	Šķērsgrīzums
230 – 240 V/50 Hz	Līdz 20 m	1,5 mm ²
230 – 240 V/50 Hz	20 – 50 m	2,5 mm ²



BĪSTAMI! Strāvas trieciens!

Elektriskā strāva izraisa traumu gūšanas risku.

→ Atslēdziet izstrādājumu no tīkla, pirms pārtraucat tā ekspluatāciju, veicat izstrādājuma apkopi vai kļūdu novēršanu.

Uzstādiet sūkni stabili, un tā tas būtu nodrošināts pret pārplūšanu un atbalstīts pret nokrišanu. Uzstādiet sūkni drošā attālumā (min. 2 m) no sūkņējām vides. Papildu drošībai var izmantot sertificētu cilvēku drošības slēdzi.

→ Pēc informācijas lūdzam vērsties pie elektrospeciālista.

Ja šis ierīces tīkla vads ir bojāts, lai novērstu bīstamas situācijas, ražotājam, autorizētam klientu apkalpošanas dienestam vai citai personai ar līdzīgu kvalifikāciju jānomaina bojātais tīkla vads.

Tīkla kontaktspraudni un elektrības pieslēguma vadu sargājiet no karstuma, eļļas un asām malām.

Nenesiet sūkni aiz kabeļa un neizmantojiet kabeli, lai izvilktu kontaktspraudni no kontaktlīdza.

Sargājiet sūkni no lietus un nelietojiet sūkni mitrā vai slapjā vidē.

Regulāri pārbaudiet pieslēguma vadu.

Pirms lietošanas vienmēr veikt sūkņa vizuālo pārbaudi (īpaši tīkla pieslēguma vadam un kontaktspraudnim).

Bojātu sūkni izmantot nedrīkst. Konstatēta bojājuma gadījumā sūkni obligāti nodot pārbaudei GARDENA servisa centrā.

Lietojot mūsu sūkņus kopā ar generatoru, jāņem vērā generatora ražotāja brīdinājuma norādes.

Individuālā drošība



BĪSTAMI! Nosmakšanas risks!

Mazas detaļas var viegli norīt. Polietilēna maisiņš rada nosmakšanas risku maziem bērniem. Montāžas darbu izpildes laikā turiet mazus bērnus drošā attālumā.



BĪSTAMI! Karsts ūdens izraisa traumu gūšanas risku!

Darbinot sūkni ilgāku laiku (> 5 min.) pret aizvērtu spiediena pusi, ūdens sūkni var uzkarst, radot draudus savainojumu gūšanai ar karstu ūdeni.

→ Sūkns pret aizvērtu spiediena pusi nedrīkst darboties ilgāk par 5 minūtēm.

Ja uzsūkšanās pusē ūdens padeve nav pietiekoša, ūdens sūkni var uzkarstēt, kas var novest pie savainošanās ar karstu ūdeni.

→ Izmantojot mājas elektroinstalācijas drošinātāju, atvienot sūkni no strāvas padeves, ļaut ūdenim atdzist un pirms atkārtotas iedarbināšanas nodrošināt ūdens pievadi sūkšanas pusē.

Pieslēdzot sūkni pie ūdensapgādes iekārtas, ir jāievēro nacionālie sanitārie noteikumi, lai tīktu novērsta pārtikā neizmantojamā ūdens iesūkšana atpakaļ iekārtā.

→ Pēc informācijas lūdzam vērsties pie santehnikas speciālista.

Lai novērstu sūkņa darbību sausajā režīmā (bez sūkņejamā šķidrums), lūdzam pievērst uzmanību tam, lai sūkšanas šļūtenes gals vienmēr atrastos ūdenī.

→ Sūkni pirms katras darbināšanas piepildīt līdz pārplūdei (apm. 2 līdz 3 l) ar sūkņejamo šķidrumu!

Smiltis un citas abrazīvas vielas pātrina sūkņa nodilšanu un samazina sūkņa produktivitāti.

→ Ja ūdens satur smiltis, ir jāizmanto sūkņa priekšfiltrs.

Piesāpota ūdens, piemēram, akmeņus, egļu skuju utt. saturoša ūdens, sūkšana var izraisīt bojājumu rašanos sūkni.

→ Nesūkņēt netīrumus saturošu ūdeni.

2. MONTĀŽA



BĪSTAMI! Miesas bojājums!

Miesas bojājumu gūšanas risks, izstrādājumam sākot darboties nekontrolēti.

→ Pirms izstrādājuma montāžas atslēdziet to no elektroenerģijas avota.

Sūkņa uzstādīšana:

Sūkņa uzstādīšanas vietai ir jābūt ar stabilu pamatni un sausai, tādai, kurā tiek nodrošināta stabila sūkņa pozīcija.

→ Uzstādiet sūkni drošā attālumā (min. 2 m) no ūdens.

Sūkns ir jāuzstāda vietā, kurā ir zems gaisa mitrums un kurā ventilācijas atveres zonā tiek nodrošināta pietiekama ventilācija. Attālumam līdz sienām ir jābūt vismaz 5 cm. Caur ventilācijas atveri nedrīkst tikt iesūkti netīrumi (piem., smiltis vai zeme).

Plastmasas veidgabalus sūkšanas un spiediena pusē atļauts pievilkt tikai ar roku.

Šļūtenes pieslēgšana sūkšanas pusē [Att. A1]:

Sūkšanas pusē neizmantojot ūdens šļūtenju spraudsistēmu posmus!

→ Izmantojiet sūkšanas pusē pret vakuumu drošu sūkšanas šļūteni, piem., **GARDENA iesūces ietaisi (preces nr. 1411)** vai **GARDENA iedzenamās spīces akas sūkšanas šļūteni (preces nr. 1729)**.

Lai saīsinātu piesūkšanas atjaunošanas laiku, mēs iesakām izmantot sūkšanas šļūteni ar pretatplūdes vārstu, kas novērš patstāvīgu sūkšanas šļūtenes iztukšošanu pēc sūkņa izslēgšanas.

1. Uzskrūvējiet sūkņa veidgabalu ② uz pieslēguma sūkšanas pusē ①.
2. Savienojiet vakuuma izturīgo sūkšanas šļūteni ③ ar sūkņa veidgabalu ② un hermētiski aizskrūvējiet to.
3. Ja sūkšana tiek veikta augstumā vairāk nekā 4 m augstumā: papildus nostipriniet sūkšanas šļūteni ③ (piemēram, pie koka staba).
Sūkns tiek atslogots no sūkšanas šļūtenes svara.

Šļūtenes pieslēgšana spiediena pusē [Att. A2]:

Sūkņa pieslēgums ④ ir aprīkots ar 33,3 mm (G 1") iekšējo vītņi.

GARDENA spraudsistēmai ir nepieciešams, piem., GARDENA sūkņa veidgabals (preces nr. 1745) (ja piegādes komplektā ir prece nr. 9010).

Izmantojot GARDENA spraudsistēmu, iespējams pieslēgt 19 mm (3/4")- / 16 mm (5/8") un 13 mm (1/2")-šļūtenes.

Šļūtenes diametrs	Sūkņa pieslēgums	
13 mm (1/2")	GARDENA Sūkņa pieslēguma komplekts	preces nr. 1750
16 mm (5/8")	GARDENA Krāna savienojums	preces nr. 18202
	GARDENA Šļūtenes savienojums	preces nr. 18216
19 mm (3/4")	GARDENA Sūkņa pieslēguma komplekts	preces nr. 1752

Uzlabots sūkņa sūkšanas jaudas izlietojums tiek panākts, pateicoties 19 mm (3/4") šļūtenju pieslēgumam savienojumā ar, piem.,

– **GARDENA sūkņa savienojumu komplektu (preces nr. 1752),**

vai ar 25 mm (1") šļūtenēm ar

– GARDENA ātrās pieslēgšanas veidgabalu ar ārējo vītņi (preces nr. 7115)/ātrās pieslēgšanas šļūtenes savienojumu (preces nr. 7103).

1. Tikai preces nr. 9014: izmantojiet sūkņu veidgabala ārējai vītnei blīvleņķu (P).
2. Uzskrūvējiet sūkņa veidgabalu (2) uz pieslēguma spiediena pusē (4) (ja piegādes komplektā ir prece nr. 9010).
3. Ar pieslēgšanas komplekta palīdzību savienojiet spiediena šļūteni (5) ar sūkņu veidgabalu (2).

Veicot vairāk nekā vienas šļūtenes/pieslēguma ierīces paralēlu pieslēgumu, mēs iesakām izmantot

– GARDENA divu vai četrkanālu ūdens sadalītāju (prece nr. 8193/8194),
GARDENA divu krānu savienojumu (prece nr. 940),

kurus iespējams uzskrūvēt tiešu uz sūkņa veidgabala (2).

3. LIETOŠANA



BĪSTAMI! Miesas bojājums!

Miesas bojājumu gūšanas risks, izstrādājumam sākot darboties nekontrolēti.

→ Pirms izstrādājuma pieslēgšanas, iestatīšanas vai transportēšanas atslēdziet to no elektroenerģijas avota.

Ūdens sūkņēšana [Att. O1/O2]:



UZMANĪBU! Sūkņa darbība bez sūkņejamā šķidrums!

→ Pirms katras pieņemšana ekspluatācijā uzpildiet sūkni līdz pārplūdei (apm. no 2 līdz 5 l) ar ūdeni.

1. Ar roku atskrūvējiet iepildīšanas īscaurules (7) skrūvsavienojumu (6).
2. Izmantojot iepildīšanas īscauruli (7), iepildiet ūdeni līdz pārplūdei (apm. no 2 līdz 5 l).
3. Ar roku aizskrūvējiet iepildīšanas īscaurules (7) skrūvsavienojumu (6) (neizmantojiet knaibles).
4. Atveriet iespējami spiediena vadā uzstādītos slēgvārstus (pieslēguma ierīces, ūdens noslēgs utt.).
5. Izlaidiet spiediena šļūtenē (5) atlikušo ūdeni, lai iesūkšanas procesa laikā varētu izplūst gaiss.
6. Pievienojiet sūkni elektroenerģijas avotam.
7. Turiet spiediena šļūteni (5) min. 1 m vertikāli uz augšu virs sūkņa, nospiediet ieslēgšanas/izslēgšanas slēdzi (8) un nogaidiet, līdz sūknis ir iesūcis ūdeni.

→ Ja sūknis pēc apm. 5 minūtēm vēl nesūknē ūdeni, izslēdziet sūkni (nospiediet ieslēgšanas/izslēgšanas slēdzi (8) (skat. 6. KĻŪDU NOVĒRŠANA).

Norādītais maks. automatiskās iesūkšanas augstums 7 m tiek sasniegts tikai tad, ja sūknis ir uzpildīts caur iepildīšanas īscauruli (7) līdz pārplūdes atvēršanai un spiediena šļūtene (5) šajā laikā un pirmās automatiskās iesūkšanas laikā tiek pacelta tā, ka no sūkņa caur spiediena šļūteni (5) nevar izplūst ūdens.

Rūsas veidošanās: sūknis (preces nr. 9014) ir aprīkots ar lietā tērauda korpusu. Tādēļ, saskaroties ar ūdeni, veidojas rūsa (tā nerada sūkņa bojājumus un uz to neattiecas garantija). Tādēļ pēc ieslēgšanas sākumā var izplūst rūšains ūdens.

4. APKOPE



BĪSTAMI! Miesas bojājums!

Miesas bojājumu gūšanas risks, izstrādājumam sākot darboties nekontrolēti.

→ Pirms apkopes veikšanas izstrādājumam, atvienojiet to no elektroenerģijas avota.

Sūkņa izskalošana:

Pēc hlora saturoša ūdens sūkņēšanas sūknis ir jāizskalo.

1. Sūkņējiet remdenu ūdeni (maks. 35 °C), tam pirms tam pievienojot maigas iedarbības tīrīšanas līdzekli (piemēram, trauku mazgāšanas līdzekli), līdz pārsūkņētais ūdens kļūst caurspīdīgs.
2. Atliekas utilizējiet saskaņā ar Likumā par atkritumu apsaimniekošanu minētajām vadlīnijām.

5. UZGLABĀŠANA

Ekspluatācijas pārtraukšana [Att. S1]:

Sūknis nav salizturīgs!

Uzglabājiet izstrādājumu bērniem nepieejamā vietā.

1. Atvienojiet sūkni no elektroenerģijas avota.
2. Ja ir, atslēdziet visas slēģierīces sūkņēšanas pusē.
3. Atveriet visas paņemšanas vietas.
Spiediena pusē tiek izlaists gaiss.
4. Atveriet iepildīšanas īscaurules (7) skrūvsavienojumu (6) un ūdens izplūdes skrūvi (9).
Sūknis tiek iztukšots.
5. Uzglabājiet sūkni sausā, slēgtā un no sala iedarbības aizsargātā vietā.

6. KĻŪDU NOVĒRŠANA



BĪSTAMI! Miesas bojājums!

Miesas bojājumu gūšanas risks, izstrādājumam sākot darboties nekontrolēti.

→ Atvienojiet izstrādājumu no elektroenerģijas avota, pirms veicat izstrādājuma kļūdu novēršanu.

Darba rata atbrīvošana [Att. T1]:

Netīrumu dēļ iestrēgušu rotoru ir iespējams noskrūvēt.

→ Pagrieziet darba rata vārpstu (10) ar skrūvgrieža palīdzību.
Tādējādi iestrēgušais rotors tiek izkustināts.

Problēma	Iespējamais cēlonis	Risinājums
Sūknis darbojas, bet nesūknē	Bojāts sūkšanas vads, resp., tajā ir noplūde.	→ Pārbaudiet, vai sūkšanas cauruļvads nav bojāts, un hermētiski noblīvējiet to.
	Sūknī nav iepildīts ūdens.	→ Uzpildiet sūkni (skat. 3. LIETOŠANA).
	Iepildītais šķidrums izplūst automatiskās iesūkšanas laikā caur spiediena pusē pieslēgto šļūteni.	→ 1. Uzpildiet sūkni atkārtoti (skat. 3. LIETOŠANA). 2. Veicot sūkņa atkārtotu pieņemšanu ekspluatācijā, turiet spiediena šļūteni apm. 1 m vertikāli uz augšu virs sūkņa, līdz sūknis ir iesūcis ūdeni.
	Pilnībā vakuumizturīgs savienojums tiek izveidots, izmantojot GARDENA sūkšanas šļūtenes (skat. 8. PIEDĒRUMI).	
	Hermētiski nenoslēgts savienojums pie iepildes īscaurules.	→ Pārbaudiet blīvleņķu (ja nepieciešams, nomainiet) un cieši pievelciet skrūvsavienojumu (neizmantojiet knaibles).
	Nevar izplūst gaiss, jo spiediena puse ir aizvērta, resp., spiediena šļūtenē ir palicis ūdens.	→ Atveriet spiediena vadā esošos slēgvārstus (piem., miglotāju) vai iztukšojiet spiediena šļūteni.
	Netika ievērots gaidīšanas laiks.	→ Ieslēdziet sūkni un nogaidiet līdz 5 minūtēm.
	Sūkšanas šļūtenē noprostojies sūkšanas filtrs vai pretvārsts.	→ Izīriert filtru vai pretvārsta vārstu.
	Pārāk liels sūkņēšanas augstums.	→ Samaziniet sūkņēšanas augstumu.
	Konstatējot cita veida iesūkšanas traucējumus, izmantojiet GARDENA sūkšanas šļūtenes ar pretvārstu (skat. 8. PIEDĒRUMI) un pirms darbināšanas caur iepildes īscauruli piepildiet ar sūkņejamo šķidrumu.	
Sūknis nesāk darboties vai pēkšņi apstājas darbības laikā	Termoslēdzis pārslodzes dēļ sūkni izslēdza.	→ Ievērojiet maksimālo šķidrums temperatūru (35 °C).
	Sūknim nepieplūst strāva.	→ Pārbaudiet drošinātājus un elektrības spraudsavienojumus.
	Nostrādājis noplūdstrāvas aizsargslēdzis (RCD) (noplūdes strāva).	→ Atslēdziet sūkni no elektroenerģijas avota un griezieties GARDENA servisā.
	Sūknis nav ieslēgts.	→ Nospiediet ieslēgšanas/izslēgšanas slēdzi stāvoklī "ieslēgts".
Sūknis darbojas, bet sūkņēšanas jauda pēkšņi samazinās	Sūkšanas šļūtenes gals nav ūdenī.	→ Iegremdējiet sūkšanas šļūtenes galu dziļāk ūdenī.

Problēma	Iespējamais cēlonis	Risinājums
Sūknis darbojas, bet sūkņšanas jauda pēkšņi samazinās	Nosprostojies sūkšanas filtrs vai pretvārsts.	→ Izīrietiet sūkšanas filtru vai pretatplūdes vārstu.
	Hermētiski nenoslēgti savienojumi sūkšanas pusē.	→ Novērsiet noplūdi.
	Nobloķējies rotors.	→ Atbrīvojiet darba ratu.

Trokšņa veidošanās hidrauliskā zonā
Spēcīgas caurplūdes gadījumā (piemēram, atvērta šļūtenes izeja, bez pieslēguma ierīces) sūkņa hidrauliskās sistēmas nodalījumā var rasties trokšņi. Tie sūkņa darbībai ir nekaitīgi un bojājumus neizraisa. Trokšņus var novērst, nedaudz izmainot caurplūdes apjomu (piemēram, viegli atverot/aizverot pieslēguma ierīci).



NORĀDE: Citu traucējumu rašanās gadījumā, lūdz, griezties tuvākajā GARDENA servisa centrā. Remontu drīkst veikt tikai GARDENA servisa centros vai GARDENA autorizētos specializētajos veikalos.

7. TEHNISKIE DATI

Dārza sūknis	Vienība	Vērtība (preces nr. 9010)	Vērtība (preces nr. 9014)
Nominālā jauda	W	600	800
Tīkla spriegums	V (AC)	230	230
Tīkla frekvence	Hz	50	50
Maks. caurplūdums	l/h	3000	3700
Maks. spiediens / maks. sūkņšanas augstums	bar / m	3,5 / 35	4,1 / 41
Maks. automātiskās iesūkšanas augstums	m	7	7
Pieļaujama spiediens iekšienē (spiediena puse)	bar	6	6
Pieslēguma kabelis	m	1,5 (H07RN-F)	1,5 (H07RN-F)
Svars	kg	5,3	8,2
Skaņas jaudas līmenis $L_{WA}^{1)}$ izmērītais/garantētais	dB(A)	77 / 80	77 / 80
Nedrošība $k_{WA}^{2)}$		3	2,36
Maks. materiāla temperatūra	°C	35	35

Mērīšanas metode saskaņā ar: ¹⁾ RL 2000/14/EU ²⁾ ISO 4871

8. PIEDERUMI/REZERVES DAĻAS

GARDENA sūkšanas šļūtenes	Izturīgas pret locījumiem un vakuuma iedarbību, pēc izvēles pieejamas tekošajos metros, preces nr. 1720/1721 (19 mm (3/4")/25 mm (1")) bez pieslēguma aprīkojuma vai ar fiksētu garumu, preces nr. 1411/1418, komplektā ar pieslēguma aprīkojumu.	
GARDENA sūkšanas šļūtenes veidgabals	Pieslēgšanai sūkšanas pusē.	preces nr. 1723/1724
GARDENA sūkņu pieslēgumu komplekts	Pieslēgšanai spiediena pusē.	preces nr. 1750/1752
GARDENA sūkšanas filtrs ar pretvārstu	Tekošajos metros pieejamās sūkšanas šļūtenes aprīkošanai.	preces nr. 1726/1727/1728
GARDENA sūkņa priekšfiltrs	Īpaši ieteicams, sūknējot smiltis saturošus šķidrums.	preces nr. 1730/1731
GARDENA elektroniskais spiediena slēdzis	Automātiski ieslēdz un izslēdz sūkni atkarībā no darba spiediena. Ar aizsardzību pret darbību bez ūdens.	preces nr. 1739
GARDENA abesiniskās akas sūkšanas šļūtene	Vakuumizturīga sūkņa pieslēguma izveidei pie urbumiem vai stingrajām caurulēm. Garums 0,5 m. Ar abpusēju 33,3 mm, (G 1) iekšējo vītņi.	preces nr. 1729
GARDENA Peldošā nosūkšanas sistēma	Attīrīta ūdens iesūkšanai zem ūdens virsmas.	preces nr. 1417
GARDENA Pump Connection Piece	Lai pieslēgtu GARDENA spraudsistēmu spiediena pusē.	preces nr. 1745

9. GARANTIJA/SERVISS

9.1 Produkta reģistrēšana:

Reģistrējiet produktu vietnē gardena.com/registration.

9.2 Serviss:

Skatiet pašreizējo servisa centra kontaktinformāciju aizmugurējā lapā un tiešsaistē:

- <https://www.gardena.com/lv/serviss-un-atbalsts/meklet-veikalu-servisa-centru/>

10. UTILIZĀCIJA

10.1 Sūkņa utilizācija:

(saskaņā ar direktīvu 2012/19/ES)



Izstrādājumu nedrīkst utilizēt kopā ar parastiem sadzīves atkritumiem. Tas ir utilizējams saskaņā ar vietējam vides aizsardzības prasībām.

SVARĪGI!

→ Nododiet izstrādājumu utilizācijai tuvākajā atkritumu apsaimniekošanas uzņēmumā.

ru Садовый насос

1. УКАЗАНИЯ ТЕХНИКИ БЕЗОПАСНОСТИ	56
2. МОНТАЖ	56
3. ЭКСПЛУАТАЦИЯ	57
4. ТЕХНИЧЕСКОЕ ОБСЛУЖИВАНИЕ	57
5. ХРАНЕНИЕ	57
6. УСТРАНЕНИЕ НЕИСПРАВНОСТЕЙ	57
7. ТЕХНИЧЕСКИЕ ДАННЫЕ	58
8. ПРИНАДЛЕЖНОСТИ/ЗАПАСНЫЕ ЧАСТИ	58
9. ГАРАНТИЯ/СЕРВИС	58
10. УТИЛИЗАЦИЯ	58

Перевод оригинальных инструкций.



Данное изделие может использоваться детьми возрастом от 8 лет и лицами с ограниченными физическими, сенсорными или умственными способностями или с недостаточным опытом и знаниями, если они будут работать под надзором, им будет разъяснен порядок безопасной работы с устройством и связанные с этим опасности. Не допускается игра детей с изделием. Детям не разрешается выполнять чистку и обслуживание устройства без надзора взрослых. Мы не рекомендуем пользоваться изделием детям младше 16 лет. Никогда не работайте с изделием, если Вы устали, больны или находитесь под воздействием алкоголя, наркотиков или медикаментов.

Применение в соответствии с назначением:

GARDENA Садовый насос предназначен для перекачки грунтовых и дождевых вод, водопроводной воды и хлорированной воды в частных садах и огородах.

Перекачиваемые жидкости:

С помощью GARDENA садового насоса разрешается перекачивать только воду.

При использовании насоса для увеличения давления нельзя превышать максимально допустимое внутреннее давление 6 бар (с напорной стороны). Исходное давление и давление насоса суммируются.

– **Пример:** Давление в водопроводном кране = 2,5 бар, макс. давление, создаваемое садовым насосом арт. 9010 = 3,5 бар, суммарное давление = 6,0 бар.

Изделие не предназначено для продолжительной работы (режим длительной перекачки).



ОПАСНО! Опасность получения травмы!

→ Не разрешается перекачивать соленую воду, загрязненную воду, едкие, легковоспламеняющиеся либо взрывоопасные вещества (например, бензин, керосин, нитроастворитель), масла, жидкое топливо и продукты питания.

1. УКАЗАНИЯ ТЕХНИКИ БЕЗОПАСНОСТИ

ВАЖНО!

Пожалуйста, внимательно прочитайте эту инструкцию по использованию и сохраните ее для чтения в дальнейшем.

Символы на изделии:



Прочитайте инструкцию по эксплуатации.

Общие указания по технике безопасности

Электрическая безопасность



ОПАСНО! Поражение электротоком!

Угроза травмирования из-за поражения электротоком.

→ Питание изделия должно производиться через устройство защитного отключения (УДО) с номинальным током срабатывания не выше 30 мА.



ОПАСНО! Угроза травмирования!

Угроза травмирования из-за поражения электротоком.

→ Отсоединяйте изделие от сети, прежде чем выполнять работы по техническому обслуживанию или замене деталей. При этом розетка должна находиться в поле зрения.

Безопасность эксплуатации

Температура воды не должна превышать 35 °С.

Не разрешается пользоваться насосом, если кто-либо стоит в воде.

Загрязнение жидкости могло возникнуть из-за пролива смазочных материалов.

Защитный выключатель

Защитный термовыключатель:

В случае перегрузки насос выключается с помощью встроенной системы термозащиты мотора. После достаточного охлаждения мотора насос снова готов к работе.

Дополнительные указания по технике безопасности

Электрическая безопасность



ОПАСНО! Остановка сердца!

Это изделие создает во время работы электромагнитное поле. В определенных обстоятельствах это поле может повлиять на функционирование активных или пассивных медицинских имплантатов. Во избежание опасности возникновения ситуаций, которые могут привести к тяжелым или смертельным травмам, лица, пользующиеся медицинскими имплантатами, перед использованием этого изделия должны проконсультироваться со своим врачом и изготовителем имплантата.

Кабель

При использовании удлинительных кабелей сечения проводов должны удовлетворять данным из следующей таблицы:

Напряжение	Длина кабеля	Поперечное сечение
230 – 240 В/50 Гц	До 20 м	1,5 мм ²
230 – 240 В/50 Гц	20 – 50 м	2,5 мм ²



ОПАСНО! Поражение электротоком!

Угроза травмирования из-за поражения электротоком.

→ Отсоедините изделие от сети, прежде чем приступить к выводу из эксплуатации, техническому обслуживанию или устранению неисправностей.

Насос необходимо устанавливать устойчиво и с защитой от затопления и предохранять его от падения. Насос должен устанавливаться на безопасном расстоянии (мин. 2 м) от перекачиваемой среды. В качестве дополнительной защиты можно использовать сертифицированный защитный выключатель.

→ Проконсультируйтесь с электриком.

В случае повреждения сетевого шнура этого устройства необходимо, во избежание возможных угроз, заменить его у изготовителя, в его сервисной службе, либо у специалиста соответствующей квалификации.

Предохраняйте вилку штепсельного соединения и кабель подключения к электросети от высокой температуры, нефтепродуктов и острых кромок.

Не перемещайте насос за кабель и не дергайте за кабель для отсоединения штекера от розетки.

Не подвергать насос воздействию дождя и не эксплуатировать в сырых или влажных условиях.

Регулярно проверяйте состояние кабеля подключения.

Каждый раз перед использованием насоса производите его наружный осмотр, на предмет отсутствия повреждений (особенно у кабеля подключения к электросети и вилки штепсельного соединения).

Неисправный насос использоваться не должен. При обнаружении повреждений проверяйте насос только в сервисном центре GARDENA. При использовании наших насосов с генератором необходимо указания изготовителя генератора.

Личная безопасность



ОПАСНО! Опасность задохнуться!

Мелкие детали могут быть легко проглочены. Из-за полиэтиленового пакета для маленьких детей существует опасность задохнуться. Во время монтажа не подпускайте близко маленьких детей.



ОПАСНО! Угроза травмирования горячей водой!

При длительной работе (> 5 мин) в направлении закрытой стороны нагнетания вода в насосе может нагреваться, что может привести к ожогам горячей водой.

→ Насос должен работать в направлении закрытой стороны нагнетания не более 5 минут.

При отсутствии подачи воды на стороне всасывания возможен перегрев воды в насосе, что при выходе воды из насоса может привести к ожогу.

→ Выключить насос из сети, охладить воду и перед возобновлением работы обеспечить подачу воды на стороне всасывания.

При подключении насоса к системе водоснабжения необходимо соблюдать действующие в стране санитарные предписания, чтобы предотвратить выброс в сеть непитьевой воды.

→ Проконсультируйтесь с сантехником.

Во избежание сухого хода внимательно следите за тем, чтобы всасывающий конец шланга всегда находился под водой.

→ Перед каждым вводом в эксплуатацию заполняйте насос жидкостью до перелива (прибл. 2 – 3 л)!

Песок и другие абразивные вещества ведут к ускоренному износу и снижению производительности насоса.

→ При наличии в воде песка используйте предварительный фильтр для насоса.

Прокачка загрязненной воды (камни, хвойные иголки и т.д.) может привести к выходу насоса из строя.

→ Не прокачивать загрязненную воду.

2. МОНТАЖ



ОПАСНО! Опасность получения травмы!

Опасность получения травм при непреднамеренном запуске изделия.

→ Перед монтажом изделия отсоедините его от электропитания.

Установка насоса:

Место установки должно быть прочным и сухим и обеспечивать устойчивое положение насоса.

→ Насос должен устанавливаться на безопасном расстоянии (мин. 2 м) от воды.

Насос следует устанавливать в месте с низкой влажностью воздуха и достаточной вентиляцией в зоне вентиляционных прорезей. Расстояние до стен должно составлять не менее 5 см. Через прорези не должна всасываться грязь (песок, земля и др.).

Пластмассовые соединительные детали на всасывающей и напорной стороне разрешается затягивать только от руки.

Подключение шланга на стороне всасывания [Рис. А1]:

На стороне всасывания не использовать вставных шланговых элементов!

→ Используйте на стороне всасывания вакуум-прочный заборный шланг, например, **GARDENA всасывающую гарнитуру арт. 1411** или **GARDENA гибкую подводку для скважин арт. 1729**.

Для сокращения времени повторного всасывания мы рекомендуем использовать заборный шланг с обратным клапаном, предотвращающим самостоятельный слив воды из заборного шланга после выключения насоса.

1. Винтите фитинг к насосу ② в штуцер на стороне всасывания ①.
2. Соедините вакуум-прочный заборный шланг ③ с фитингом к насосу ② и плотно привинтите его.
3. При высоте всасывания свыше 4 м: Дополнительно закрепите заборный шланг ③ (например, привяжите его к деревянному колышку).

Насос освобождается от действия веса заборного шланга.

Подключение шланга на напорной стороне [Рис. А2]:

Штуцер насоса ④ имеет внутреннюю резьбу 33,3 мм (G 1"). Для GARDENA соединительной системы требуется, например, GARDENA фитинг к насосу арт. 1745 (у арт. 9010 входит в комплект поставки).

При помощи системы вставок фирмы GARDENA можно присоединить шланги 19 мм (3/4")-/ 16 мм (5/8") и 13 мм (1/2").

Диаметр шланга	Подключение к насосу	
13 мм (1/2")	Набор для подключения к насосу GARDENA	арт. 1750
16 мм (5/8")	Адаптер для крана GARDENA Адаптер для шланга GARDENA	арт. 18202 арт. 18216
19 мм (3/4")	Набор для подключения к насосу GARDENA	арт. 1752

Оптимальное использование производительности насоса достигается при подключении шлангов 19 мм (3/4") в комбинации, например, с

– GARDENA комплектом фитингов к насосу арт. 1752,

или 25 мм (1")

– GARDENA быстроразъемным резьбовым коннектором с наружной резьбой арт. 7115/быстроразъемным шланговым коннектором арт. 7103.

1. Только для арт. 9014: применяйте на наружной резьбе фитинга к насосу уплотнительную ленту ①.
2. Винтите фитинг к насосу ② в штуцер напорной стороны ④ (только у арт. 9010 входит в комплект поставки).
3. Соедините напорный шланг ⑤ с фитингом к насосу ②.

При параллельном подключении более одного шланга/подключаемого устройства рекомендуется использовать

– GARDENA 2- или 4-канальный распределитель арт. 8193/8194, GARDENA 2-канальный клапан арт. 940,

которые могут привинчиваться прямо к фитингу к насосу ②.

3. ЭКСПЛУАТАЦИЯ



ОПАСНО! Опасность получения травмы!

Опасность получения травм при непреднамеренном запуске изделия.

→ Перед подключением, настройкой или транспортировкой изделия отсоедините его от электропитания.

Водяные насосы [Рис. O1/O2]:



ВНИМАНИЕ! Сухой ход насоса!

→ Перед каждым вводом в действие заполняйте насос водой до перелива (от 2 до 5 л).

1. Вручную навинтите резьбовое соединение ⑥ на горловину ⑦.
2. Залейте воду через горловину ⑦ до перелива (от 2 до 5 л).
3. Вручную (без применения инструмента) завинтите резьбовое соединение ⑥ на горловине ⑦.
4. Откройте возможно имеющиеся запорные вентили в напорной линии (подключаемые устройства, обратный клапан, и т.д.).
5. Слейте оставшуюся в напорном шланге ⑤ воду, чтобы воздух мог выйти в процессе всасывания.
6. Соедините насос с электропитанием.
7. Удерживайте мин. 1 м напорного шланга ⑤ в вертикальном положении над насосом в направлении вверх, нажмите на выключатель ⑧ и подождите, пока насос не начнет всасывание.

→ Если примерно через 5 минут насос не начнет всасывать воду, выключите насос (нажать выключатель ⑧) (см. 6. УСТРАНЕНИЕ НЕИСПРАВНОСТЕЙ).

Указанная максимальная высота самовсасывания в 7 м достигается только в том случае, когда насос через заправочную горловину ⑦ заполнен до перелива, а напорный шланг ⑤ во время этого и в процессе самовсасывания держится на такой высоте, которая исключает вытекание воды из насоса через напорный шланг ⑤.

Образование ржавчины: Корпус насоса арт. 9014 выполнен из чугуна. Поэтому после контакта с водой происходит образование ржавчины (она не вредит насосу и не является составной частью гарантии). Поэтому сразу после включения может вытекать ржавая вода.

4. ТЕХНИЧЕСКОЕ ОБСЛУЖИВАНИЕ



ОПАСНО! Опасность получения травмы!

Опасность получения травм при непреднамеренном запуске изделия.

→ Перед техническим обслуживанием изделия отсоедините его от электропитания.

Промывка насоса:

После перекачки хлорированной воды насос требует промывки.

1. Перекачивайте теплую воду (макс. 35 °C) возм. с добавкой мягкого чистящего средства (например, моющего средства), пока перекачиваемая вода не станет прозрачной.
2. Утилизируйте остатки в соответствии с требованиями закона о ликвидации отходов.

5. ХРАНЕНИЕ

Вывод из эксплуатации [Рис. S1]:

Насос не защищен от мороза!

Изделие необходимо хранить в недоступном для детей месте.

1. Отсоедините насос от электропитания.
2. В случае необходимости закройте все запорные устройства на стороне всасывания.
3. Откройте все места отбора.
Давление на напорной стороне сбрасывается.
4. Откройте резьбовое соединение ⑥ на горловине ⑦ и сливной пробке ⑨.
Насос опорожняется.
5. Храните насос в сухом, закрытом и отапливаемом месте.

6. УСТРАНЕНИЕ НЕИСПРАВНОСТЕЙ



ОПАСНО! Опасность получения травмы!

Опасность получения травм при непреднамеренном запуске изделия.

→ Отсоедините изделие от сети, прежде чем приступить к устранению неисправностей.

Освобождение крыльчатки [Рис. T1]:

Заклинившее из-за загрязнения рабочее колесо можно снять.

→ Проверните вал крыльчатки ⑩ отверткой.
Это освобождает заблокированную крыльчатку.

Проблема	Возможная причина	Устранение
Насос работает, но не всасывает	Негерметичная или поврежденная всасывающая линия.	→ Проверьте всасывающую линию на наличие повреждений и герметично уплотните ее.
	Насос не был заполнен водой.	→ Заполните насос (см. 3. ЭКСПЛУАТАЦИЯ).
	Залитая жидкость выходит при всасывании через шланг, подсоединенный на стороне нагнетания.	→ 1. Еще раз заполните насос (см. 3. ЭКСПЛУАТАЦИЯ). 2. При повторном вводе насоса в эксплуатацию удерживайте мин. 1 м напорного шланга в вертикальном положении над насосом в направлении вверх, пока насос не начнет всасывание.
	Абсолютно герметичное соединение достигается при использовании заборных шлангов GARDENA (см. 8. ПРИНАДЛЕЖНОСТИ).	

Проблема	Возможная причина	Устранение
Насос работает, но не всасывает	Негерметичность резьбового соединения на заливном штуцере.	→ Проверьте уплотнение (замените его в случае необходимости) и затяните резьбовое соединение (не используя инструмент).
	Воздух не может выходить, так как сторона нагнетания закрыта или в шланге содержатся остатки воды.	→ Откройте в имеющиеся в напорной линии запорные вентили (например, наконечник) или опорожните напорный шланг.
	Не соблюдается время ожидания.	→ Включите насос и подождите до 5 минут.
	Загрязнен фильтр или обратный клапан в заборном шланге.	→ Очистите фильтр или обратный клапан.
	Слишком большая высота всасывания.	→ Уменьшите высоту всасывания.
При возникновении других проблем с всасыванием использовать шланги GARDENA с обратным клапаном (см. пункт 8. ПРИНАДЛЕЖНОСТИ) и перед вводом в действие залить жидкость через заливной штуцер.		
Насос не работает или неожиданно выключается в процессе работы	Защитный термовыключатель отключил насос из-за перегрева.	→ Учитывайте максимальную температуру среды (35 °C).
	Насос обесточен.	→ Проверьте предохранители и электрические штекерные соединения.
	Сработал выключатель дифференциального тока (дифференциальный ток).	→ Отсоедините насос от электропитания и обратитесь в GARDENA Сервисный центр.
	Насос не включен.	→ Переведите переключатель во включенное положение.
Насос работает, но производительность внезапно снижается	Конец заборного шланга не в воде.	→ Погрузите конец заборного шланга глубже в воду.
	Фильтр или обратный клапан.	→ Очистите всасывающий фильтр или обратный клапан.
	Негерметичность на стороне всасывания.	→ Устраните негерметичность.
	Заблокировано рабочее колесо.	→ Освободите крыльчатку.
Образование шума в гидросистеме	При большом расходе жидкости (напр., открытый конец шланга, без присоединяемых устройств) в зоне гидравлики насоса может появиться посторонний звук. Он не должен вызывать опасений и не ведет к повреждению насоса. Звук можно устранить небольшим изменением потока (напр., с помощью регулировки потока наконечником).	



УКАЗАНИЕ: в случае других неисправностей, пожалуйста, обращайтесь в свой GARDENA сервисный центр. Ремонт разрешается производить только в GARDENA сервисных центрах, а также у дилеров, авторизованных в GARDENA.

7. ТЕХНИЧЕСКИЕ ДАННЫЕ

Садовый насос	Ед.изм.	Значение (арт. 9010)	Значение (арт. 9014)
Номинальная мощность	Вт	600	800
Напряжение	В перем.	230	230
Частота сети	Гц	50	50
Макс. производительность	л/ч	3000	3700
Макс. давление / Макс. высота нагнетания	бар / м	3,5 / 35	4,1 / 41
Макс. высота всасывания	м	7	7
Допустимое внутреннее давление (напорная сторона)	бар	6	6
Кабель подключения	м	1,5 (H07RN-F)	1,5 (H07RN-F)
Вес	кг	5.3	8.2
Уровень звуковой мощности $L_{WA}^{1)}$ измеренный / гарантированный	дБ (А)	77 / 80	77 / 80
Погрешность $k_{WA}^{2)}$		3	2,36

Садовый насос	Ед.изм.	Значение (арт. 9010)	Значение (арт. 9014)
Макс. температура перекачиваемой жидкости	°C	35	35
Метод измерения согласно: ¹⁾ RL 2000/14/EU ²⁾ ISO 4871			

8. ПРИНАДЛЕЖНОСТИ/ЗАПАСНЫЕ ЧАСТИ

Заборные шланги GARDENA	Стойкий от перегиба и разрыва, поставляемый также метражом, арт. 1720/1721 (19 мм (3/4")/25 мм (1")) без арматуры подключения, или с определенной длиной и арматурой подключения, арт. 1411/1418.	
Соединитель для заборного шланга GARDENA	Для подключения со стороны всасывания.	арт. 1723/1724
Комплект для подсоединения насосов GARDENA	Для подключения с напорной стороны.	арт. 1750/1752
Фильтр GARDENA с клапаном противотока	Для шлангов, продаваемых метрами.	арт. 1726/1727/1728
Фильтр предварительной очистки GARDENA	Особенно рекомендуется при прокачке жидкостей, содержащих песок.	арт. 1730/1731
Электронное реле давления GARDENA	Автоматически включает и выключает насос в зависимости от рабочего давления. С защитой от сухого хода.	арт. 1739
Заборный шланг GARDENA	Для плотного подсоединения насоса к напорным источникам или жестким трубам. Длина 0,5 м. С двусторонней внутренней резьбой 33,3 мм, (G 1).	арт. 1729
Плавающий водозабор GARDENA	Для забора воды с глубины без захвата грязи.	арт. 1417
GARDENA деталь для подключения насоса 1"	Для подключения GARDENA соединительной системы на напорной стороне.	арт. 1745

9. ГАРАНТИЯ/СЕРВИС

9.1 Регистрация изделия:

Зарегистрируйте изделие на сайте gardena.com/registration.

9.2 Сервис:

Актуальные контактные данные нашего сервиса приведены на оборотной стороне этого руководства и на сайте:

- <https://www.gardena.com/int/support/advice/contact/>

9.3 Инструкции производителя для Российской Федерации:

Изготовитель: GARDENA Germany AB, PO Box 7454, S-103 92 Stockholm, Sweden
Страна изготовления указана на товаре.

Официальный импортер на территорию России:

ООО «Хускварна»,
141400, Московская область, г. Химки,
ул. Ленинградская, владение 39, строение 6,
помещение № OB02_04



Серийный номер: 1910A

19*	10	A
Год выпуска	Месяц выпуска	1-й серии (индекс производства)

* Последние две цифры года выпуска 2019 (третий и четвертый знак).

10. УТИЛИЗАЦИЯ

10.1 Утилизация насоса:

(согласно Директиве 2012/19/EU)



Не допускается выбрасывать изделие с обычным бытовым мусором. Его необходимо утилизировать в соответствии с действующими местными предписаниями по защите окружающей среды.

ВАЖНО!

→ Утилизируйте изделие через местный пункт приемки вторсырья.

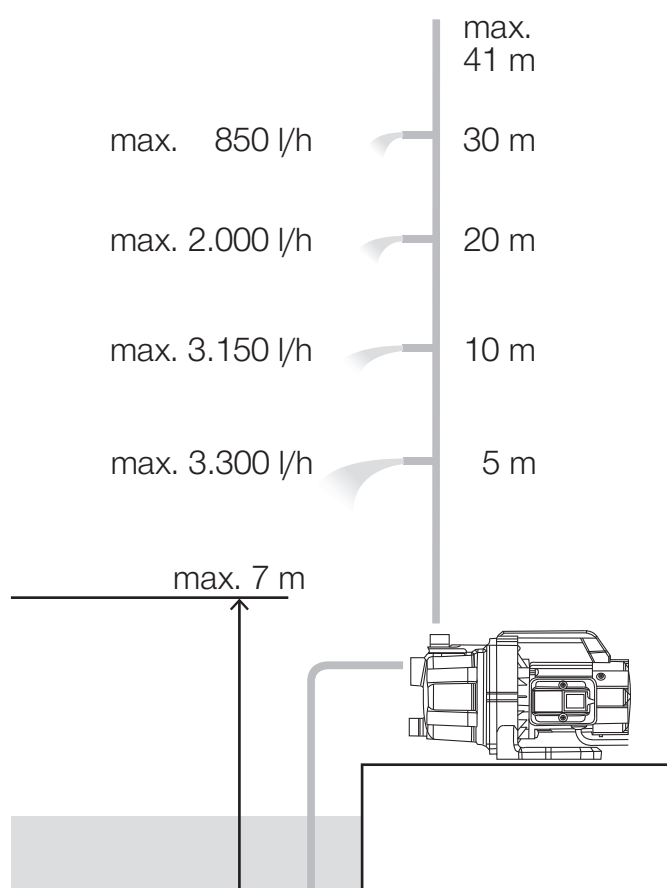
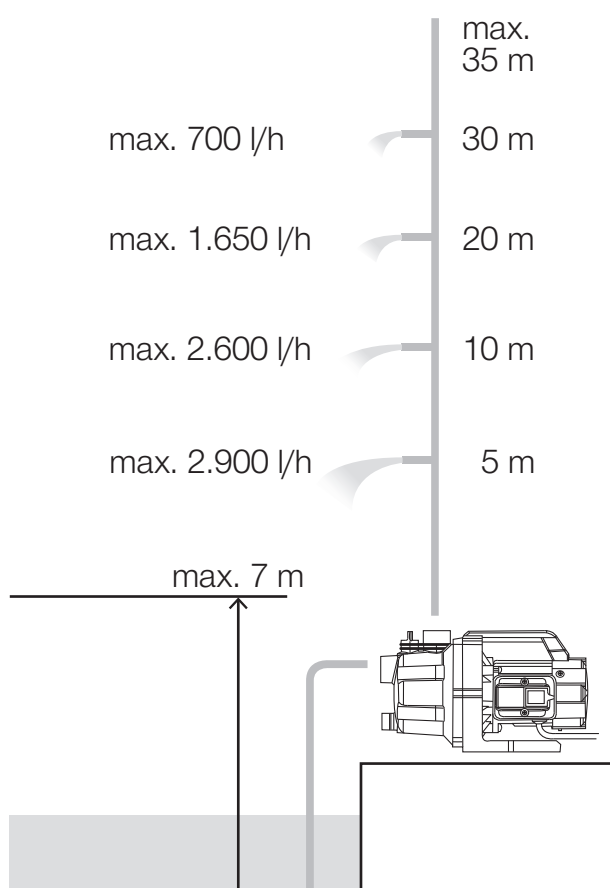
Performance characteristics
 Karakterystyka pompy
 Szivattyú-jelleggörbe
 Karakteristika čerpadla
 Charakteristiky čerpadla
 Χαρακτηριστικό διάγραμμα

Кривая производительности насоса
 Karakteristika črpalka
 Obilježja pumpe
 Karakteristika pumpe
 Крива характеристики насоса
 Characteristică pompi

Pompa karakter egrisi
 Pompena karakteristika
 Fuqia e pompës
 Pumba karakteristik
 Siurblio charakteristinë kreivë
 Sūkņa raksturlīkne

GP 3000/4 BASIC Art. 9010

GP 3700/4 BASIC Art. 9014



<p>en EC Declaration of Conformity The undersigned hereby certifies as the authorized representative of the manufacturer, GARDENA Germany AB, PO Box 7454, S-103 92, Stockholm, Sweden, that, when leaving our factory, the unit(s) indicated below is/are in accordance with the harmonised EU guidelines, EU standards of safety and product specific standards. This certificate becomes void if the unit(s) is/are modified without our approval.</p>	<p>hr EU izjava o sukladnosti Dolje potpisani kao opunomoćenik proizvođača, tvrtke GARDENA Germany AB, PO Box 7454, S-103 92, Stockholm, Švedska, potvrđujemo da niže navedeni uređaj(i) odgovarajuće izvedbe koji/koje smo iznijeli na tržište ispunjavaju kriterije usklađenih direktiva EU i sigurnosnih standarda EU kao i standarda koji se tiču proizvoda. Ova izjava gubi valjanost u slučaju izmjena uređaja koje nisu prethodno ugovorene s nama.</p>
<p>pl Deklaracja zgodności UE Niżej podpisany potwierdza jako upoważniony przedstawiciel producenta, spółki GARDENA Germany AB, PO Box 7454, S-103 92, Sztokholm, Szwecja, że określone poniżej urządzenie/-nia w wersji wprowadzonej przez nas do obrotu spełnia/-niają wymogi zharmonizowanych dyrektyw UE, norm bezpieczeństwa UE oraz norm dotyczących konkretnych produktów. Niniejsza deklaracja traci ważność w przypadku wprowadzania niezgodnych z nami zmian urządzenia/ń.</p>	<p>ro Declarație de conformitate UE Semnatarul, în calitate sa de împuternicit al producătorului GARDENA Germany AB, PO Box 7454, S-103 92, Stockholm, Suedia, confirmă că aparatul (aparatele) descrie în cele ce urmează, în execuția pusă de noi pe piață îndeplinește (îndeplinesc) cerințele directivelor armonizate UE, ale standardelor de siguranță UE și ale standardelor specifice produsului. În cazul modificării fără aprobarea noastră prealabilă a aparatului (aparaterelor), această declarație își pierde valabilitatea.</p>
<p>hu EU megfeleléségi nyilatkozat Az alulírott, a GARDENA Germany AB, Pf. 7454, S-103 92, Stockholm, Svédország megbízotti minőségében megerősíti, hogy az általunk aláírt kivitelben forgalomba hozott, lent nevezett eszköz(ök) megfelel(nek) az uniós irányelvekkel összhangba hozott nemzeti előírások követelményeinek, az EU biztonsági szabványainak és a konkrét termékre vonatkozó szabványoknak. Az eszköz(ök)nek velünk nem egyeztetett módosítása esetén ez a nyilatkozat érvényét veszti.</p>	<p>bg ЕС-Декларация за съответствие Долуподписаният удостоверява като пълномощник на производителителя GARDENA Germany AB, PO Box 7454, S-103 92, Стокхолм, Швеция, че по-долу описаният(ите) уред(и) във варианта на изпълнение пуснат от нас на пазара изпълнява/ изпълняват изискванията на хармонизираните ЕС-директиви, ЕС-норми за безопасност и специфичните норми за продукцията. В случай на промяна на уреда(ите), която не е съгласувана с нас, тази декларация губи своята валидност.</p>
<p>cs EU prohlášení o shodě Podepsaná osoba zplnomocněná výrobcem GARDENA Germany AB, PO Box 7454, S-103 92, Stockholm, Švédsko potvrzuje, že v následujícím uvedený(-é) přístroj(-e) v provedení námi uvedeném na trh splňuje/splňují požadavky směrnice EU, bezpečnostních norem EU a norem specifických pro výrobek. V případě změny přístroje(-ů), která s námi nebyla dohodnuta, ztrácí toto prohlášení svou platnost.</p>	<p>et EL-i vastavusdeklaratsioon Allakirjutatu kinnitab tootja, GARDENA Germany AB, PO Box 7454, S-103 92, Stockholm, Rootsi, poolt volitatud isikuna, et järgnevalt nimetatud seade (seadmed) täidab (täidavad) meie poolt turule toodud versiooni kujul harmoneeritud EL-i direktiivide, EL-i ohutusstandardite ja tootepõhiste standardite nõuded. Seadmel (seadmetel) meiega kooskõlastamata muudatused tegemise korral kaotab käesolev deklaratsioon oma kehtivuse.</p>
<p>sk EÚ vyhlásenie o zhode Dolu podpísaný potvrdzuje, ako splnomocnený zástupca výrobcu, GARDENA Germany AB, PO Box 7454, S-103 92, Štokholm, Švédsko, že ďalej označené zariadenie /a vo vyhotovení uvedenom na trh spĺňa /jú požiadavky harmonizovaných smerníc EÚ, bezpečnostných štandardov EÚ a predpisov, špecifických pre dané výrobky. Pri zmene zariadenia /zariadení, ktorá nebola odsúhlasená našou spoločnosťou, stráca toto vyhlásenie platnosť.</p>	<p>It ES atitikties deklaracija Pasirašantysis, kaip gamintojo, GARDENA Germany AB, PO Box 7454, S-103 92, Stokholmas, Švedija, įgaliojasis atstovas patvirtina, kad žemiau nurodyto(-ų) prietaiso(-ų) modeliai, kurie buvo pagaminti mūsų gamyklose, atitinka darniąsias ES direktyvas, ES saugumo standartus ir specifinius gaminio standartus. Atlikus bet kokį prietaiso(-ų) pakeitimą, kuris nėra suderintas su mumis, ši deklaracija praranda galiojimą.</p>
<p>el Δήλωση συμμόρφωσης ΕΕ Ο υπογεγραμμένος βεβαιώνει ως πληρεξούσιος του κατασκευαστή, της εταιρείας GARDENA Germany AB, Τ.Θ. 7454, S-103 92, Στοκχόλμη, Σουηδία, ότι η (οι) παρακάτω αναφερόμενη(ές) συσκευή(ές) στην έκδοσή που τίθεται από εμάς σε κυκλοφορία πληροί/πληρούν τις απαιτήσεις των εναρμονισμένων οδηγιών της ΕΕ, προτύπων ασφαλείας της ΕΕ και των ειδικών για το προϊόν προτύπων. Σε περίπτωση τροποποίησης της (των) συσκευή(ών) χωρίς προηγούμενη συνεννόηση με την εταιρεία μας παύει να ισχύει η δήλωση.</p>	<p>lv ES atbilstības deklarācija Zemā parakstījiesies persona kā ražotāja, uzņēmuma GARDENA Germany AB, PO Box 7454, S-103 92, Stokholma, Zviedrija, pilnvarotais pārstāvis apstiprina, ka tālāk norādītā(-s) ierīce(-s) izpildījumā, kādā mēs to (tās) esam laiduši tirgū, atbilst saskaņotajām ES direktīvām, ES drošības standartiem un konkrētajam produktam noteiktajiem standartiem. Ierīcē(-s) veicot ar mums nesaskaņotus izmaiņas, šī deklarācija zaudē savu spēku.</p>
<p>sl Izjava EU o skladnosti Spodaj podpisani kot pooblaščenec proizvajalca GARDENA Germany AB, PO Box 7454, S-103 92, Stockholm, Švedska, potrjuje, da v nadaljevanju označene naprave v izvedbi, v kakršni smo jih dali v promet, izpolnjujejo zahteve usklajenih direktiv EU, varnostnega standarda EU in standardov, ki veljajo za posamezne izdelke. V primeru spremembe naprave, ki ni usklajena z nami, ta izjava neha veljati.</p>	

<p>Description of the product: Opis produktu: A termék leírása: Popis výrobku: Popis produktu: Περιγραφή του προϊόντος: Opis izdelka: Opis proizvoda: Descrierea produsului: Описание на продукта: Toote kirjeldus: Gaminio aprašas: Izstrādājuma apraksts:</p>	<p>Garden Pump Pompa ogrodowa Kerti szivattyú Zahradní čerpadlo Záhradné čerpadlo Αντλία κήπου Vrtna črpalka Vrtna pumpa Pompă de grădină Градинска помпа Aiarump Sodo siurblys Dārza sūknis</p>	<p>Noise level: Poziom halasu: Zajszint: Hladina hluku: Hladiny hluku: Επίπεδο θορύβου: Raven zvočne moči: Razina buke: Niveau de zgomot: Ниво на шум: Műratase: Triukšmo lygis: Troksņa līmenis:</p>	<p>measured / guaranteed zmierzony / gwarantowany mért / garantált naměřená / zaručená namerané / zaručené μετρημένο / εγγυημένο izmerjena / zagotovljena mjerena / zajamčena măsurat / garantat измерено / гарантирано mőđetud / garanteeritud išmatuotas / garantuojamas mērītais / garantētais</p>
<p>Product type: Typ produktu: Terméktípus: Druh výrobku: Typ produktu: Τύπος προϊόντος: Vrsta izdelka: Vrsta proizvoda: Tip produs:</p>	<p>Article number: Numer katalogowy: Cikkszámok: Objednací číslo: Κωδικός είδους: Številka izdelka: Katalóški broj: Cod articol:</p>	<p>Art. 9010: Art. 9014:</p> <p>Year of CE marking: Rok nadania oznakowania CE: CE-jelzés elhelyezésének éve: Rok umístění značky CE: Rok udelenia značky CE: Έτος σήματος CE: Leto namestitve CE-oznake: Godina dobivanja CE oznake:</p>	<p>77 dB(A) / 80 dB(A) 77 dB(A) / 80 dB(A)</p> <p>Anul de marcare CE: Година на поставяне на CE-маркировка: CE-márgjstuse raigaldamise aasta: Metai, kada pažymėta CE-ženklui: CE-marķējuma uzlikšanas gads:</p> <p>Art. 9010: Art. 9014:</p> <p>2019 2020</p>
<p>EC-Directives: Dyrektywy WE: EK-irányelvek: Předpisy ES: Smernice EÚ: Οδηγίες EK: Direktive EU: EC direktive: Directive CE: Директиви на ЕО: EÚ direktívid: EB direktīvos: EK direktīvas:</p>	<p>Harmonised EN: EN 60335-1 EN 60335-2-41 EN ISO 12100</p> <p>Deposited Documentation: GARDENA Technical Documentation, M. Kugler, 89079 Ulm</p> <p>Conformity Assessment Procedure: according to 2000/14/EC Art.14 Annex V</p>	<p>Art. 9010 Ulm, 02.12.2019 Ulm, dnia 02.12.2019 Ulm, 02.12.2019 Ulm, 02.12.2019 Ulm, 02.12.2019 Ulm, 02.12.2019 Ulm, 02.12.2019 Ulm, 02.12.2019 Ulm, 02.12.2019 Ulm, 02.12.2019 Ulm, 02.12.2019 Ulm, 02.12.2019 Ulm, 02.12.2019 Ulm, 02.12.2019 Ulm, 02.12.2019</p> <p>Art. 9014 Ulm, 20.12.2020 Ulm, dnia 20.12.2020 Ulm, 20.12.2020 Ulm, 20.12.2020 Ulm, 20.12.2020 Ulm, 20.12.2020 Ulm, 20.12.2020 Ulm, 20.12.2020 Ulm, 20.12.2020 Ulm, 20.12.2020 Ulm, 20.12.2020 Ulm, 20.12.2020 Ulm, 20.12.2020 Ulm, 20.12.2020 Ulm, 20.12.2020</p>	<p>Authorised representative Pelnomocnik Meghatalmazott Zplnomocnenec Splnomocnený Ο εξουσιοδοτημένος Pooblaščenec Ovlaštena osoba Conducerea tehnică Упълномощен Volitatud esindaja Įgaliojasis atstovas Pilnvarotā persona</p> <p><i>Reinhard Pompe</i> Reinhard Pompe Vice President Products</p> <p><i>Wolfgang Engelhardt</i> Wolfgang Engelhardt Vice President Supply Chain</p>

Deutschland / Germany
GARDENA Manufacturing GmbH
Central Service
Hans-Lorenser-Straße 40
D-89079 Ulm
Produktfragen:
(+49) 731 490-123
Reparaturen:
(+49) 731 490-290
www.gardena.com/de/kontakt

Albania
KRAFT SHPK
Autobstrada Tirane-Durres
Km 7
1051 Tirane
Phone: (+355) 69 877 7821
info@kraft.al

Argentina
ROBERTO C. RUMBO S.R.L.
Predio Norlog
Lote 7
Benavidez, ZC. 1621
Buenos Aires
Phone: (+54) 11 5263-7862
ventas@rumbosrl.com.ar

Armenia
AES Systems LLC
Marshall Babajanyan Avenue 56/2
0022 Yerevan
Phone: (+374) 60 651 651
masisohanyan@ioluad.com

Australia
Husqvarna Australia Pty. Ltd.
Locked Bag 5
Central Coast BC
NSW 2252
Phone: (+61) (0) 2 4352 7400
customer.service@husqvarna.com.au

Austria / Österreich
Husqvarna Austria GmbH
Industriezeile 36
4010 Linz
Tel.: (+43) 732 77 01 01-485
www.gardena.com/at/service/beratung/kontakt/

Azerbaijan
Progres Xüsusi Firması
Aliyar Aliyev 212, Baku, Azerbaijan
Sales: +994 70 326 07 14
AfterSales: +994 77 326 07 14
www.progress-garden.az
info@progress-garden.az

Bahrain
M.H. Al-Mahroos
BUILDING 208, BLOCK 356,
ROAD 328
Salhiya
Phone: +973 1740 8090
almahroos@almahroos.com

Belarus / Беларусь
ООО «Мастер Гарден»
220118, г. Минск,
улица Шапановича, дом 7а
Tel.: (+375) 17 257 00 33
mg@mastergarden.by

Belgium
Husqvarna Belgium nv
Gardena Division
Leuvensesteenweg 542
Planet II E
1930 Zaventem
België

Bosnia / Herzegovina
Silk Trade d.o.o.
Poslovna Zona Vila Br. 20
Phone: (+387) 61 165 593
info@silkttrade.com.ba

Brazil
Nordtech Maquinas e Motores Ltd.
Avenida Juscelino Kubitschek
de Oliveira Curitiba
3003 Brazil
Phone: (+55) 41 3595-9600
contato@nordtech.com.br
www.nordtech.com.br

Bulgaria
AGRÖLAND България АД
бул. 8 Декември, № 13
Офис 5
1700 Студентски град
Содня
Tel.: (+359) 24 66 6910
info@agroland.eu

Canada / USA
GARDENA Canada Ltd.
125 Edgeware Road
Unit 15 A
Brampton L6Y 0P5
ON, Canada
Phone: (+1) 905 972 93 30
gardena.customer.service@husqvarnagroup.com

Chile
REPRESENTACIONES JCE S.A.
AV. DEL VALLE NORTE 857 PISO 4
HUECHURABA, SANTIAGO, CHILE
Phone: (+56) 2 2414 2600
contacto@jce.cl

China
Husqvarna (Shanghai)
Management Co., Ltd.
富世华 (上海) 管理有限公司
3F, Benq Square B,
No 207, Song Hong Rd.,
Chang Ning District,
Shanghai, PRC. 200335
上海市长宁区淞虹路207号明
基广场3座3楼, 邮编: 200335

Colombia
Equipos de Toyama Colombia SAS
Cra. 68 D No 25 B 86 Of. 618
Edificio Torre Central
Bogotá
Phone: +57 (1) 703 95 20 /
+57 (1) 703 95 22
servicioalcliente@toyama.com.co
www.toyama.com.co

Costa Rica
Exim CIA Costa Rica
Calle 25A, B*, Montelegre
Zapote
San José
Costa Rica
Phone: (+506) 2221-5654 / (+506) 2221-5659
eximcostarica@gmail.com

Croatia
Husqvarna Austria GmbH
Industriezeile 36
4010 Linz
Phone: (+43) 732 77 01 01-485
service.gardena@husqvarnagroup.com

Cyprus
Pantelis Papadopoulos S.A.
92 Athinon Avenue
Athens
10442 Greece
Phone: (+30) 21 0519 3100
info@papadopoulos.com.gr

Czech Republic
Gardena
Service Center Vrbno
c/o Husqvarna
Manufacturing CZ s.r.o.
Jesenická 146
79326 Vrbno pod Prádem
Phone: 800 100 425
servis@gardena.cz

Denmark
GARDENA DANMARK
Lejvej 19, st.
3500 Værlase
Tlf.: (+45) 70 26 47 70
gardenack@husqvarnagroup.com
www.gardena.com/dk

Dominican Republic
BOSQUESA, S.R.L.
Carretera Santiago Licey
Km. 5 1/2
Esquina Copal II.
Santiago De Los Caballeros
51000 Dominican Republic
Phone: (+1) 809-562-0476
contacto@bosquesa.com.do

Egypt
Universal Agencies Co
26, Abdel Hamid Lotfy St.
Giza
Phone: (+20) 3 761 57 57

Estonia
Husqvarna Eesti OÜ
Valdeku 132
EE-11216 Tallinn
info@gardena.ee

Finland
Oy Husqvarna Ab
Juurakkotie 5 B 2
01510 Vantaa
www.gardena.fi

France
Husqvarna France
9/11 Allée des pierres mayettes
92635 Gennevilliers Cedex
France
http://www.gardena.com/fr
N° AZUR: 0 810 00 78 23
(Prix d'un appel local)

Georgia
Transporter LLC
#70, Belsashvili street
0159 Tbilisi, Georgia
Number: (+995) 322 14 71 71
info@transporter.com.ge
www.transporter.com.ge

**Service Address and
Importer to Great Britain**
Husqvarna UK Ltd
Preston Road
Aycliffe Industrial Park
Newton Aycliffe
County Durham
DL5 6LP
Phone: (+44) (0) 344 844 4558
info.gardena@husqvarna.co.uk

Greece
Π.ΠΑΠΑΔΟΠΟΥΛΟΣ ΑΕΒΕ
Λεωφ. Αθηνών 92
Αθήνα
Τ.Κ. 104 42
Ελλάδα
Τηλ. (+30) 210 5193 100
info@papadopoulos.com.gr

Hong Kong
Tung Tai Company
151-153 Hoi Bun Road
Kwun Tong, Kowloon
Hong Kong
Phone: (+852) 3583 1662
admin@tungtaico.com

Hungary
Husqvarna Magyarország Kft.
Ezred u. 1 – 3
1044 Budapest
Phone: (+36) 1 251-4161
vevoszolgalat.husqvarna@husqvarna.hu

Iceland
BYKO ehf.
Skemmuvegji 2a
200 Kópavogur
Phone: (+354) 515 4000
byko@byko.is
MHG Verslun ehf.
Vikurhvarf 8
203 Kópavogur
Phone: (+354) 544 4656

India
B K RAMAN AND CO
Plot No. 185, Industrial Area,
Phase-2, Ram Darbar
Chandigarh
160002 India
Phone: (+91) 98140 06530
raman@jaganhardware.com

Iraq
Alshiemal Alakhdar Company
Al-Faysaliah, Near Estate Bank
Mosul
Phone: (+964) 78 18 46 75

Ireland
Liffey Distributors Ltd.
309 NW Business Park, Ballycoolen
15 Dublin
Phone: (+353) 1 824 2600
info@liffey.com

Israel
HAGARIN LTD.
2 Nahal Harif St.
8122201 Yavne
internet@hagarin.co.il
Phone: (+972) 8-932-0400

Italy
Husqvarna Italia S.p.A.
Centro Direzionale Pianum
Via del Lavoro 2, Scala B
22036 ERBA (CO)
Phone: (+39) (0) 31 4147700
assistenza.italia@it.husqvarna.com

Japan
Husqvarna Zenoah Co. Ltd. Japan
1-9 Minamidai, Kawagoe
350-1165 Saitama
Japan
gardena-jp@husqvarnagroup.com

Kazakhstan
ТОО “Гарден”
Russian
Адрес: Казахстан, г. Алматы,
ул. Таврическая, 155/1
Тел.: (+7) (727) 355 64 00 /
(+7) (700) 355 64 00
lamed@lamed.kz

Kazakh
Мекен-жайы: Қазақстан,
Алматы қ.,
көш. Таврической, 155/1
Тел.: (+7) (727) 355 64 00 /
(+7) (700) 355 64 00
lamed@lamed.kz

Kuwait
Palms Agro Production Co
Al Rai- Fourth Ring Road – Block 56.
P.O.Box 1976 Safat
13020 Al-Rai
Phone: (+965) 24 73 07 45
info@palms-kw.com

Kyrgyzstan
00s0 Alye Maki
Av. Molodaya Guardia 83
720014 Bishkek
Phone: (+996) 312 322115

Latvia
Husqvarna Latvija SIA
Ulbrokas 19A
LV-1021 Riga
info@gardena.lv

Lebanon
Technocom
Safta Highway (Beirut – Tripoli) Center
622 Mezher Bldg.
P.O.Box 215
Jounieh
Phone: (+961) 9 853527 /
(+961) 3 855481
technocom@idm.net.lb

Lithuania
UAB Husqvarna Lietuva
Ateities pl. 77c
LT-52104 Kaunas
info@gardena.lt

Luxembourg
Magasins Jules Neuberg
39, rue Jacques Stas
Luxembourg-Gespéricht 2549
Case Postale No. 12
Luxembourg 2010
Phone: (+352) 40 14 01
api@neuberg.lu

Malaysia
Glomedic International Sdn Bhd
Jalan Ruang No. 30
Shah Alam, Selangor
40150 Malaysia
Phone: (+60) 3-7734 7997
oase@glomedic.com.my

Malta
I.V. Portelli & Sons Ltd.
85, 86, Triq San Pawl
Rabat - RBT 1240
Phone: (+356) 2145 4289

Mauritius
Espresso Malsion Ltée
La City Trianon, St Jean
Quatre Bornes
Phone: (+230) 460 85 85
digital@espacemaison.mu

Mexico
AFOSA
Av. Lopez Mateos Sur # 5019
Col. La Calma 45070
Zapopan, Jalisco, Mexico
Phone: (+52) 33 3818-3434
isolis@afosa.com.mx

Moldova
Convel SRL
Republica Moldova,
mun. Chisinau,
sos. Muncesti 284
Phone: (+373) 22 857 126
www.convel.md

Mongolia
Soyojf Gardening Shop
Narmi Rd
Ulaanbaatar
14230 Mongolia
Phone: +976 7777 5080
soyojif@magicnet.mn

Morocco
Protekip
84 Rue de la Participation
Casablanca-Roches Noires
20303 Morocco
Phone: (+212) 661342107
hicham.hafani@protekip.ma

Netherlands
Husqvarna Nederland B.V.
GARDENA Division
Postbus 50131
1305 AC ALMERE
Phone: (+31) 36 521 00 10
info@gardena.nl

Neth. Antilles
Jonka Enterprises N.V.
Sta. Rosa Weg 196
P.O. Box 8200
Curaçao
Phone: (+599) 9 767 65 55
info@jonka.com

New Zealand
Husqvarna New Zealand Ltd.
PO Box 76-437
Manukau City 2241
Phone: (+64) (0) 9 9202410
support.nz@husqvarna.co.nz

North Macedonia
Sinpeks d.o.o.
Ul. Kravarski Pat Bb
7000 Bitola
Phone: (+389) 47 20 85 00
sinpeks@mt.net.mk

Norway
Husqvarna Norge AS
Gardena Division
Trøskenveien 36
1708 Sarpsborg
info@gardena.no

Northern Cyprus
Mediterranean Home & Garden
No 150 Alsancak, Karaoglanoğlu
Caddesi Girne
Phone: (+90) 392 821 33 80
info@medgardener.com

Oman
General Development Services
PO 1475, PC - 111
Seeb
111 Oman
Phone: 96824582816
gdsoman@gdsoman.com

Paraguay
Agrofield SRL
AV. CHOFERES DEL CHACO
1449 C/25 DE MAYO
Asunción
Phone: (+595) 21 608 656
consultas@agrofield.com.py

Peru
Sierras y Herramientas Forestal SAC
Av. Las Gaviotas 833, Chorrillos
Lima
Phone: (+51) 1 2 52 02 52
supervisorventas1@siersac.com
www.siersac.com

Philippines
Royal Dragon Traders Inc
10 Linaw Street, Barangay
Saint Peter Quezon City
1114 Philippines
Phone: (+63) 2 7426893
aida.fernandez@rdrti.com.ph

Poland
Gardena Service Center Vrbno
c/o Husqvarna Manufacturing CZ
s.r.o. Jesenícká 146
79326 Vrbno pod Prádemem
Czech Republic
Phone: (22) 336 78 90
servis@gardena.pl

Portugal
Husqvarna Portugal, SA
Lagoa - Albarqueque
2635 - 595 Rio de Mouro
Phone: (+351) 21 922 85 30
Fax: (+351) 21 922 85 36
info@gardena.pt

Romania
Madex International Srl
Soseaua Otaiti 117 - 123,
RO 013603 Bucuresti, S1
Phone: (+40) 21 352 7603
madex@ines.ro

Russia / Россия
ООО «Уйскавна»
141400, Московская обл.,
г. Химки,
улица Ленинградская,
владение 39, стр.6
Бизнес Центр
„Химки Бизнес Парк“,
помещение OBO2_04
http://www.gardena.ru

Saudi Arabia
SACO
Takhassusi Main Road P.O. Box:
86387 Riyadh 12863
40011 Saudi Arabia
Phone: (966) 11 482 8877
webmaster@saco-ksa.com
Al Futtaim Pioneer Trading
5147 Al Farooq Dist.
Riyadh 7991
Phone: (+971) 4 206 6700
Owais.Kham@alfuttaim.com

Serbia
Domel d.o.o.
Slobodana Đurica 21
11000 Belgrade
Phone: (+381) 11 409 57 12
office@domels

Singapore
Hy-Ray PRIVATE LIMITED
40 Jalan Pemimpin
#02-08 Tat Ann Building
Singapore 577185
Phone: (+65) 6253 2277
info@hyray.com.sg

Slovak Republic
Gardena
Service Center Vrbno
c/o Husqvarna
Manufacturing CZ s.r.o.
Jesenická 146
79326 Vrbno pod Prádemem
Phone: 8000 154044
servis@gardena.sk

Slovenia
Husqvarna Austria GmbH
Industriezeile 36
4010 Linz
Phone: (+43) 732 77 01 01-485
service.gardena@husqvarnagroup.com

South Africa
Husqvarna South Africa (Pty) Ltd
Lifestyle Business Park –
Ground Floor Block A Cnr
Beyers Naude Drive and Ysterhout
Road Randpark Ridge, Randburg
Phone: (+27) 10 015 5750
service@gardena.co.za

South Korea
Kyung Jin Trading Co., Ltd
8F Haengbok Building, 210,
Gangnam-Daero 137-891 Seoul
Phone: (+82) 2 574 6300
kj@kj.kh.co.kr

Spain
Husqvarna España S.A.
Calle de Rivas nº 10
28052 Madrid
Phone: (+34) 91 708 05 00
atencioncliente@gardena.es

Sri Lanka
Hunter & Company Ltd.
130 Front Street
Colombo
Phone: 94-11 232 81 71
hunters@eureka.lk

Suriname
Deto Handelsaatschappij N.V.
Kerkkampweg 72-74
P.O. Box: 12782
Paramaribo
Suriname
Phone: (+597) 43 80 50
info@deto.sr

Sweden
Husqvarna AB /
GARDENA Sverige
Drottninggatan 2
561 82 Huskvarna
Sverige
Phone: (+46) (0) 36-14 60 02
service@gardena.se

Switzerland / Schweiz
Husqvarna Schweiz AG
Consumer Products
Industriestrasse 10
5506 Mägenwil
Phone: (+41) (0) 62 887 37 90
info@gardena.ch

Taiwan
Hong Ying Trading Co., Ltd.
No. 46 Wu-Kun-Wu Road
New Taipei City
Phone: (+886) (02) 2298 1486
salesgd1@7friends.com.tw

Tajikistan
ARIERS JV LLC
39, Ayni Street, 734024
Dushanbe, Tajikistan

Thailand
Spica Co. Ltd
243/2 Onnuch Rd., Prawat
Bangkok
10250 Thailand
Phone: (+66) (0)2721 7373
surapong@spica-siam.com

Tunisia
Société du matériel agricole et maritime
Nouveau port de peche de Slax Bp 33
Slax 3065
Phone: (+216) 98 419047/
(+216) 74 497614
commercial@smamtunisia.com

Türkiye
Dost Bahçe
Yunus Mah. Adil Sk. No:3
Kartal
Istanbul
34873 Türkiye
Phone: (+90) 216 389 39 39

Turkmenistan
L.E. Orazmuhamedov Numurhammet
80 Ataturk, BERKARAR Shopping Center,
Ground floor, A77b,
Ashgabat 744000
TURKMENISTAN
Phone: (+993) 12 468859
Mob: (+993) 62 222887
info@jayhyzmat.com
bekjyey@jayhyzmat.com
www.jayhyzmat.com

UAE
Al-Futtaim ACE Company
L.L.C Building, Al Rebat Street
Festival City, Dubai
7880 UAE
Phone: (+971) 4 206 6700
ace@alfuttaim.ae

Ukraine / Україна
AT «Альцест»
вул Петровлівська 4
08130, Київська обл.
Києво-Святошинський р-н, с.
Петровлівська Борщаківка Україна
Тел.: (+38) 0 800 503 000

Uruguay
FELI SA
Entre Rios 1083
11800 Montevideo
Phone: (+598) 22 03 18 44
info@felisa.com.uy

Uzbekistan
AGROHOUSE MCHJ
O'zbekiston, 111112
Toshkent viloyati
Toshkent tumani
Hasanboy OFY, THAY yoqasida
Phone: (+998) 93-5414141 /
(+998) 71-2096868
info@agro.house
www.agro.house

Vietnam
Vision Joint Stock Company
BT1-17, Khu biet thu –
Khu Doan ngoai gioi Nguyen Xuan Khoat
Xuan Dinh, Bac Tu Liem
Hanoi, Vietnam
Phone: (+8424) 38462833/34
quynhnm@visionjsc.com.vn

Zimbabwe
Cutting Edge
159 Citroen Rd, Msasa
Harare
Phone: (+263) 8677 008685
sales@cuttingedge.co.zw

9010-29.960.04/0224
© GARDENA Manufacturing GmbH
D-89079 Ulm
http://www.gardena.com