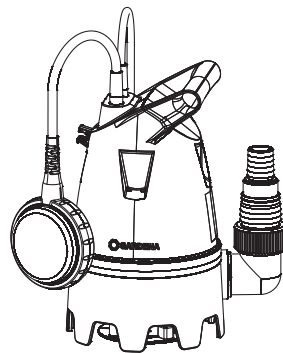


8200 BASIC Art. 9000
8600 BASIC Art. 9001



9200 BASIC Art. 9007
10500 BASIC Art. 9008

en Operator's manual

Clear Water Submersible Pump/Dirty Water Submersible Pump

GARDENA Clear Water Submersible Pump / Dirty Water Submersible Pump

1. SAFETY INSTRUCTIONS	2
2. ASSEMBLY	4
3. OPERATION	4
4. MAINTENANCE	5
5. STORAGE	5
6. TROUBLESHOOTING	5
7. TECHNICAL DATA	6
8. ACCESSORIES/ SPARE PARTS	6
9. STATEMENT OF WARRANTY	7

Original instructions.



This product may be used under supervision, or if instruction regarding the safe use of the product has been provided and the resulting dangers have been understood, by children aged 8 and above, as well as by persons with physical, sensory or mental disabilities or a lack of experience and knowledge. Children must not be allowed to play with the product. Cleaning and user maintenance must not be performed by children without supervision. The use of this product by young people under the age of 16 is not recommended. Never operate the product when you are tired, ill or under the influence of alcohol, drugs or medicine.

Intended use:

The **GARDENA Submersible Pump** is intended for drainage purposes if flooding occurs but also for transferring water to and from tanks and pumping them out, for drawing water from wells and shafts, for draining boats and yachts and for aerating and circulating water for limited periods and for pumping chlorinated water in private domestic gardens and allotments.

Liquids to be pumped:

The GARDENA Submersible Pump must only be used to pump water.

The pump is fully submersible (water-tight encapsulation) and is submerged in water (for max. submersion depth, see 7. TECHNICAL DATA).

The product is suitable for pumping the following liquids:

- **Clear Water Submersible Pump:** clean to slightly dirty water with a max. particle size of 5 mm.
- **Dirty Water Submersible Pump:** dirty water with a max. particle size of 25 mm.

The product is not intended for long term use (continuous circulation operation).



DANGER! Risk of injury!

→ The pump should not be used for the delivery of salt water, corrosive, easily inflammable or explosive liquids (e.g. petrol, paraffin, thinners), oil, heating oil or foodstuffs.

1. SAFETY INSTRUCTIONS

IMPORTANT!

Read the operator's manual carefully before use and keep for future reference.

Symbols on the product:



Read operator's manual.

General safety warnings

Electrical safety



DANGER! Electric shock!

Risk of injury due to electric current.

→ The product must be supplied through a residual current device (RCD) having a rated residual operating current not exceeding 30 mA.



DANGER! Risk of physical injury!
Risk of injury due to electric current.

→ **Disconnect the product from the mains before you maintain or replace parts. Thereby the disconnected socket must be in the visual range.**

Safe operating practices

The water temperature should not exceed 35 °C.

The pump must not be used when people are in the water.

Pollution of the liquid could occur due to leakage of lubricants.

Keep bystanders away from the water.

Operate the pump only with the elbow connector.

Circuit breaker

Thermal protection switch:

In the event of an overload, the pump is switched off by the built-in thermal motor protection. After sufficient cooling of the motor, the pump is operational again.

Automatic venting

This pump is equipped with a vent valve which eliminates any air pockets in the pump. Depending on the function, a small amount of water can escape from the side of the housing.

Additional safety warnings

Electrical safety



DANGER! Cardiac arrest!

This product makes an electromagnetic field while it operates. This field may under some conditions interfere with active or passive medical implants.

To decrease the risk of conditions that can possibly injure or kill, we recommend persons with medical implants to speak with their physician and the medical implant manufacturer before you operate the product.

Cables

If extension cables are used, these must comply with the minimum cross-sections in the table below:

Voltage	Cable length	Cross section
230 – 240 V/50 Hz	Up to 20 m	1.5 mm ²
230 – 240 V/50 Hz	20 – 50 m	2.5 mm ²



DANGER! Electric shock!

With a cut off mains plug, moisture can get into electrical parts via the mains cable and cause a short circuit.

→ **Never cut the mains plug off (e.g. to feed through wall).**

→ Don't use the power cable for plugging off.

→ If the supply cord is damaged, it must be replaced by the manufacturer, its service agent or similarly qualified persons in order to avoid a hazard.

Mains plug and extension connections must be protected from water splashes.

Ensure that the electrical connections for plugs and sockets are made in areas safe from flooding.

Protect the mains plug and the mains power cable from heat, oil and sharp edges.

Observe the mains voltage. The information on the nameplate must be in agreement with the data for the mains power grid.

The pump's mains plug must be disconnected before anybody enters the swimming pool or touches the surface of the water.

The mains power cable must not be used for fastening or transporting the pump.

For submerging or lifting/securing the pump, please use a fastening rope.

Please regularly check the connecting line.

Before using, always subject the pump (especially the power cables and the power connections) to a visual inspection.

A pump which is damaged should not be used. In the event of damage, have the pump checked by GARDENA Service.

Assembly instructions: Retighten all screws by hand.

Before use after maintenance, make sure that all parts are screwed together.

When using our pumps with a generator, the warnings of the generator manufacturer must be observed.

Personal safety



DANGER! Risk of suffocation!

Small parts can be easily swallowed. There is also a risk that the polybag can suffocate toddlers. Keep toddlers away when you assemble the product.

Observe the minimum water level in accordance with the characteristics given for the pump.

Allow the pump to run no longer than 10 minutes against a closed pressure side.

Sand and other abrasive substances cause increased wear and reduce the pump's output.

The float switch may only be operated outside the water.

The hose must not be disconnected during operation.

Allow the pump to cool down before troubleshooting.

The pump must not be operated without the mounted contra-angle handpiece.

2. ASSEMBLY



DANGER! Risk of injury!

Injury when the product starts accidentally.

→ Disconnect the product from the mains before you assemble the product.

To screw the elbow connector into the pump [Fig. A1]:



DANGER! Risk of injury!

Cut injury by the impeller.

→ Operate the pump only with the elbow connector.

→ Screw the elbow connector ① clockwise into the pump.

The hose can be connected via the pump connection ① and the connection nipple ② [25 mm (1") and 38 mm (1 1/2")] or via the GARDENA Connection System [13 mm (1/2")/16 mm (5/8")/19 mm (3/4")]. When using a 38 mm (1 1/2") hose, the pump has the maximum delivery capacity.

Connect hose via connection nipple [Fig. A2/A3/A4]:

25 mm (1")- and 38 mm (1 1/2")-hoses can be connected via the connection nipple ②.

Hose diameter	25 mm (1")	38 mm (1 1/2")
GARDENA Hose Clamp	Art. 7193	Art. 7195

Hose connection [Fig. A2]	Do not detach nipple [Fig. A3].	Detach nipple at ① [Fig. A4].
---------------------------	---------------------------------	-------------------------------

25 mm (1")- and 38 mm (1 1/2") hoses connected with a connection nipple ② must be fastened, for example with a **GARDENA Hose Clamp Art. 7193/7195**.

1. Screw the elbow connector into the pump.
2. Screw connection nipple ② onto the pump connection ①. (For 38 mm (1 1/2") hoses, first detach the connection nipple ② in the groove at ①).
3. Push the hose onto the connection nipple ② and fix e.g. with a **GARDENA Hose Clamp Art. 7193/7195**.

Connect hose via the GARDENA Connection System [Fig. A5]:

We do not recommend to use hoses with a diameter smaller than 19 mm (3/4"), as otherwise the flow rate will be reduced.

Hose diameter	Pump connection	
19 mm (3/4")	GARDENA Pump Connection Set	Art. 1752

→ Connect the hose via the relevant GARDENA Connection System.

3. OPERATION



DANGER! Risk of injury!

Injury when the product starts accidentally.

→ Disconnect the product from the mains before you connect, adjust or transport the product.

To pump water:

If the pump cannot be immersed into the water reservoir via the handle, the pump must always be immersed into the well or water reservoir via a rope. Minimum immersion depth during initial operation see 7. TECHNICAL DATA.

Take care that the pump is located where the inlet openings at the suction base are not obstructed neither completely nor partly.

Stand the pump on a brick if using in a pond.

1. Submerge the pump in water reservoir.
2. Connect the pump to the mains.
Attention! The pump begins operating immediately.

Automatic mode with float switch [Fig. O1]:

So that the pump automatically switches off when there is no liquid to pump, the Float Switch ③ must be able to freely move on the surface of the water.

To adjust the Cut-in and Cut-out Height [Fig. O1]:

The maximum cut-in height and minimum cut-out height (see 7. TECHNICAL DATA) can be adjusted by pushing the float switch wire into the float switch lock.

- The shorter the length of cable between the float switch ③ and the float switch lock ④, the lower the cut-in height and the higher the cut-out height.
- Push the cable of the float switch ③ into the opening in the float switch lock ④.



CAUTION!

In order to ensure that the float switch is able to switch on and off, the cable length between the float switch and the float switch lock must be at least 10 cm.

Manual operation [Fig. O2]:

The pump remains permanently in operation because the float switch is bypassed.

1. Slide the float switch ③ with the cable downwards onto the float switch locking device ④.
2. Stand the pump on a firm surface.
3. Connect the pump to the mains.
Attention! The pump begins operating immediately.

The minimum residual water depth (see 7. TECHNICAL DATA) is only achieved in manual mode because the float switch already switches off the pump before this when in automatic mode.

4. MAINTENANCE



DANGER! Risk of injury!

Injury when the product starts accidentally.

→ **Disconnect the product from the mains before you maintain the product.**

To flush the pump:

After pumping chlorinated water, the pump must be flushed.

1. Pump lukewarm water (max. 35 °C), possibly adding a mild cleaning agent (e. g. detergent) until the pumped water runs clear.
2. Remove residuals according to the waste disposal laws applicable in your area.

5. STORAGE

To put into storage:

The pump is not frost-proof!

The product must be stored away from children.

1. Disconnect the pump from the mains.
2. Turn the pump upside down until no more water runs out.
3. Clean the pump (see 4. MAINTENANCE).
4. Store the pump in a dry, enclosed and frost-free place.

Disposal:



The product must not be disposed of to normal household waste. It must be disposed of in line with local environmental regulations.

IMPORTANT!

→ Dispose of the product through or via your municipal recycling collection centre.

6. TROUBLESHOOTING



DANGER! Risk of injury!

Injury when the product starts accidentally.

→ **Disconnect the product from the mains before you troubleshoot the product.**

2. Pull the suction base ⑤ off the pump.
3. Clean suction base ⑤ and impeller ⑥ (the warranty does not become void as a result of this maintenance work).
4. Reinstall the suction base ⑤.
5. Screw in the 4 Phillips screws ④ again.

To clean the suction base and the impeller [Fig. T1]:

1. Unscrew the 4 Phillips screws ④.

For safety reasons a damaged impeller can only be exchanged by the GARDENA Service Centre.

Problem	Possible Cause	Remedy
Pump is running, but doesn't deliver water	Air cannot escape, because the pressure line is closed. (Possible kink in the pressure hose.)	→ Open the pressure line (e. g. shut-off valve, delivery units).
	Air in suction foot.	→ Wait for about 60 seconds until the pump has vented; if necessary, turn off and then on again.
	Suction opening is clogged.	→ Clean the suction opening with a water jet.
	Hose is clogged.	→ Remove the clog from the hose.
	Impeller is blocked.	→ Clean the impeller.
	Water level below minimum water level when put into operation.	→ Submerge the pump deeper.
Pump does not start, or stops suddenly during operation	Thermal switch has turned the pump off because of overheating.	→ Clean the suction opening. Observe the max. media temperature (35 °C).
	No power supply to the pump.	→ Check fuses and electrical plug connections.
	RCD has triggered (residual current).	→ Disconnect the pump and contact the GARDENA Service.

Problem	Possible Cause	Remedy
Pump is running but the delivery drops suddenly	Suction opening is clogged.	→ Clean the suction opening with a water jet.
	Hose is clogged.	→ Remove the clog from the hose.



NOTE: For any other malfunctions please contact the GARDENA service department. Repairs must only be done by GARDENA service departments or specialist dealers approved by GARDENA.

7. TECHNICAL DATA

<i>Submersible Pump</i>	Unit	Value (Art. 9000)	Value (Art. 9001)	Value (Art. 9007)	Value (Art. 9008)
Rated power	W	250	400	250	400
Mains voltage	V (AC)	220 – 240	220 – 240	220 – 240	220 – 240
Mains frequency	Hz	50	50	50	50
Max. delivery capacity	l/h	8200	8600	9200	10,500
Max. pressure/ max. delivery head	bar / m	0.5 5.0	0.55 5.5	0.4 4.0	0.5 5.0
Max. submersion depth	m	6	6	6	6
Min./max. cut-in height	cm	23 / 50	23 / 50	26 / 45	26 / 45
Min./max. cut-out height	cm	7 / 20	7 / 20	11 / 16	11 / 16
Residual water level	mm	4	4	25	25
Dirty water with max. particle diameter	mm	5	5	25	25
Minimum water depth for operation (approx.)	cm	25	25	50	50
Power cable	m	10 (H05RN-F)	10 (H05RN-F)	10 (H05RN-F)	10 (H05RN-F)
Weight without cable (approx.)	kg	2.55	2.85	2.55	2.9
Max. media temperature	°C	35	35	35	35

8. ACCESSORIES/SPARE PARTS

GARDENA Hose Clamp	For 25 mm (1") hoses via the connection nipple.	Art. 7193
GARDENA Hose Clamp	For 38 mm (1 1/2") hoses via the connection nipple.	Art. 7195
GARDENA Pump Connection Set	For 19 mm (3/4") hoses via the GARDENA Connection System.	Art. 1752
GARDENA Flat Hose Set	10 m 38 mm (1 1/2") hose with hose clamp.	Art. 5005

9. WARRANTY/SERVICE

9.1 Product registration:

Please register your product at gardena.com/registration.

9.2 Service:

Please find the current contact information of our service on the back page and online:

- Australia:
<https://www.gardena.com/au/support/advice/contact/>
- New Zealand:
<https://www.gardena.com/nz/support/advice/contact/>

9.3 Warranty

Husqvarna provides a manufacturer's warranty against faulty workmanship in manufacture and/or defective components to initial purchaser for each new GARDENA branded product produced by Husqvarna and purchased in Australia. To make a valid claim under this manufacturer's warranty the product and proof of purchase must be provided to the retailer. This warranty does not cover damage caused by misuse, neglect, adjustments and/or modifications by the consumer or normal wear and tear, the costs of shipping and handling, travel expense, lost time, or pickup and delivery.

9.3.1 Australia

Our goods come with guarantees that cannot be excluded under the Australian Consumer Law. You are entitled to a replacement or refund for major failure and for compensation for any other reasonably foreseeable loss or damage. You are also entitled to have the goods repaired or replaced if the goods fail to be of acceptable quality and the failure does not amount to a major failure.

Husqvarna Australia Pty Ltd
(ABN 45 115 475 619)
4 Pioneer Avenue
Tuggerah NSW 2259
Tel: 1300 804 213.

9.3.2 New Zealand

This manufacturer's warranty is in addition to the rights and remedies provided by the New Zealand Consumer Guarantees Act.

Husqvarna New Zealand Ltd
(Company No. 111861)
51 Aintree Avenue Airport Oaks
Manukau 2022
Tel: 09 920 2410
Made in Germany to GARDENA's specifications.

Deutschland / Germany

GARDENA Manufacturing GmbH
Central Service
Hans-Lorenser-Straße 40
D-89079 Ulm
Produktfragen:
(+49) 731 490-123
Reparaturen:
(+49) 731 490-290
www.gardena.com/de/kontakt

Albania

KRAFT SHPK
Autostrada Tirane-Durres
Km 7
1051 Tirane
Phone: (+355) 69 877 7821
info@kraft.al

Argentina

ROBERTO C. RUMBO S.R.L.
Predio Norlog
Lote 7
Benavidez. ZC: 1621
Buenos Aires
Phone: (+54) 11 5263-7862
ventas@rumbosrl.com.ar

Armenia

AES Systems LLC
Marshal Babajanyan Avenue 56/2
0022 Yerevan
Phone: (+374) 60 651 651
mashohanyan@icloud.com

Australia

Husqvarna Australia Pty. Ltd.
Locked Bag 5
Central Coast BC
NSW 2252
Phone: (+61) (0) 2 4352 7400
customer.service@husqvarna.com.au

Austria / Österreich

Husqvarna Austria GmbH
Industriezeile 36
4010 Linz
Tel.: (+43) 732 77 01 01-485
www.gardena.com/at/service/beratung/
kontakt/

Azerbaijan

Progres Xüsusi Firması
Aliyar Aliyev 212, Baku, Azerbaijan
Sales: +994 70 326 07 14
AfterSales: +994 77 326 07 14
www.progress-garden.az
info@progress-garden.az

Bahrain

M.H. Al-Mahroos
BUILDING 208, BLOCK 356,
ROAD 328
Salihiya
Phone: +973 1740 8090
almahroos@almahroos.com

Belarus / Беларусь

ООО «Мастер Гартен»
220118, г. Минск,
улица Шаранговича, дом 7а
Тел. (+375) 17 257 00 33
mg@mastergarden.by

Belgium

Husqvarna Belgium nv
Gardena Division
Leuvensesteenweg 542
Planet II E
1930 Zaventem
Belgie

Bosnia / Herzegovina

Silk Trade d.o.o.
Poslovna Zona Vila Br. 20
Phone: (+387) 61 165 593
info@silktrade.com.ba

Brazil

Nordtech Maquinas e Motores Ltd.
Avenida Juscelino Kubitschek
de Oliveira Curitiba
3003 Brazil
Phone: (+55) 41 3595-9600
contato@nordtech.com.br
www.nordtech.com.br

Bulgaria

AGROLAND България АД
бул. 8 Декември, № 13
Офис 5
1700 Студентски град
София
Тел.: (+359) 24 66 6910
info@agroland.eu

Canada / USA

GARDENA Canada Ltd.
125 Edgeware Road
Unit 15 A
Brampton L6Y 0P5
ON, Canada
Phone: (+1) 905 792 93 30
gardena.customerservice@
husqvarnagroup.com

Chile

REPRESENTACIONES JCE S.A.
AV. DEL VALLE NORTE 857 PISO 4
HUECHURABA, SANTIAGO, CHILE
Phone: (+56) 2 2414 2600
contacto@jce.cl

China

Husqvarna (Shanghai)
Management Co., Ltd.
富世华 (上海) 管理有限公司
3F, Benq Square B,
No 207, Song Hong Rd.,
Chang Ning District,
Shanghai, PRC. 200335
上海市长宁区淞虹路207号明
基广场B座3楼, 邮编: 200335

Colombia

Equipos de Toyama Colombia SAS
Cra. 68 D No 25 B 86 Of. 618
Edificio Torre Central
Bogota
Phone: +57 (1) 703 95 20 /
+57 (1) 703 95 22
servicioalcliente@toyama.com.co
www.toyama.com.co

Costa Rica

Exim CIA Costa Rica
Calle 25A, B°. Montealegre
Zapote
San José
Costa Rica
Phone: (+506) 2221-5654
(+506) 2221-5659
eximcostarica@gmail.com

Croatia

Husqvarna Austria GmbH
Industriezeile 36
4010 Linz
Phone: (+43) 732 77 01 01-485
service.gardena@husqvarnagroup.com

Cyprus

Pantelis Papadopoulos S.A.
92 Athinou Avenue
Athens
10442 Greece
Phone: (+30) 21 0519 3100
info@papadopoulos.com.gr

Czech Republic

Gardena
Service Center Vrbno
c/o Husqvarna
Manufacturing CZ s.r.o.
Jesenická 146
79326 Vrbno pod Prádemem
Phone: 800 100 425
servis@gardena.cz

Denmark

GARDENA DANMARK
Lejrvvej 19, st.
3500 Værløse
Tlf.: (+45) 70 26 47 70
gardenadk@husqvarnagroup.com
www.gardena.com/dk

Dominican Republic

BOSQUESA, S.R.L.
Carretera Santiago Licey
Km. 5 ½
Esquina Copal II.
Santiago De Los Caballeros
51000 Dominican Republic
Phone: (+1) 809-562-0476
contacto@bosquesa.com.do

Egypt

Universal Agencies Co
26, Abdel Hamid Lotfy St.
Giza
Phone: (+20) 3 761 57 57

Estonia

Husqvarna Eesti OÜ
Valdeku 132
EE-11216 Tallinn
info@gardena.ee

Finland

Oy Husqvarna Ab
Juurakkotie 5 B 2
01510 Vantaa
www.gardena.fi

France

Husqvarna France
9/11 Allée des pierres mayettes
92635 Gennevilliers Cedex
France
http://www.gardena.com/fr
N° AZUR: 0 810 00 78 23
(Prix d'un appel local)

Georgia

Transporter LLC
#70, Beliasvili street
0159 Tbilisi, Georgia
Number: (+995) 322 14 71 71
info@transporter.com.ge
www.transporter.com.ge

**Service Address and
Importer to Great Britain**

Husqvarna UK Ltd
Preston Road
Aycliffe Industrial Park
Newton Aycliffe
County Durham
DL5 6UP
Phone: (+44) (0) 344 844 4558
info.gardena@husqvarna.co.uk

Greece

Π.ΠΑΠΑΔΟΠΟΥΛΟΣ ΑΕΒΕ
Λεωφ. Αθηνών 92
Αθήνα
T.K.104 42
ΕΛΛΑΔΑ
Τηλ. (+30) 210 5193 100
info@papadopoulos.com.gr

Hong Kong

Tung Tai Company
151-153 Hoi Bun Road
Kwun Tong, Kowloon
Hong Kong
Phone: (+852) 3583 1662
admin@tungtaico.com

Hungary

Husqvarna Magyarorszag Kft.
Ezred u. 1 – 3
1044 Budapest
Phone: (+36) 1 251-4161
vevoszolgalat.husqvarna@husqvarna.hu

Iceland

BYKO ehf.
Skemmuvegi 2a
200 Kópavogur
Phone: (+354) 515 4000
byko@byko.is

MHG Verstun ehf
Vikurvart 8
203 Kópavogur
Phone: (+354) 544 4656

India

B K RAMAN AND CO
Plot No. 185, Industrial Area,
Phase-2, Ram Darbar
Chandigarh
160002 India
Phone: (+91) 98140 06530
raman@jaganhardware.com

Iraq

Alstihem Alakhdar Company
Al-Faysalean, Near Estate Bank
Mosul
Phone: (+964) 78 18 18 46 75

Ireland

Liffey Distributors Ltd.
309 NW Business Park, Ballycoolen
15 Dublin
Phone: (+353) 1 824 2600
info@liffeyd.com

Israel

HAGARIN LTD.
2 Nahal Harif St.
8122201 Yavne
internet@hagarin.co.il
Phone: (+972) 8-932-0400

Italy

Husqvarna Italia S.p.A.
Centro Direzionale Plenum
Via del Lavoro 2, Scala B
22036 ERBA (CO)
Phone: (+39) (0) 31 4147700
assistenza.italia@it.husqvarna.com

Japan

Husqvarna Zenoh Co. Ltd. Japan
1-9 Minamidai, Kawagoe
350-1165 Saitama
Japan
gardena-jp@husqvarnagroup.com

Kazakhstan

ТОО “Лямэд”
Russian
Адрес: Казахстан, г. Алматы,
ул. Тажибаевой, 155/1
Тел.: (+7) (727) 355 64 00
(+7) (700) 355 64 00
lamed@lamed.kz

Kazakh

Мекен-жайы: Қазақстан,
Алматы қ.,
көш. Тажибаевой, 155/1
Тел.: (+7) (727) 355 64 00
(+7) (700) 355 64 00
lamed@lamed.kz

Kuwait

Palms Agro Production Co
Al Rai- Fourth Ring Road – Block 56.
P.O Box: 1976 Safat
13020 Al-Rai
Phone: (+965) 24 73 07 45
info@palms-kw.com

Kyrgyzstan

0050 Alye Maki
Av. Moladaya Guardia 83
720014 Bishkek
Phone: (+996) 312 322115

Latvia

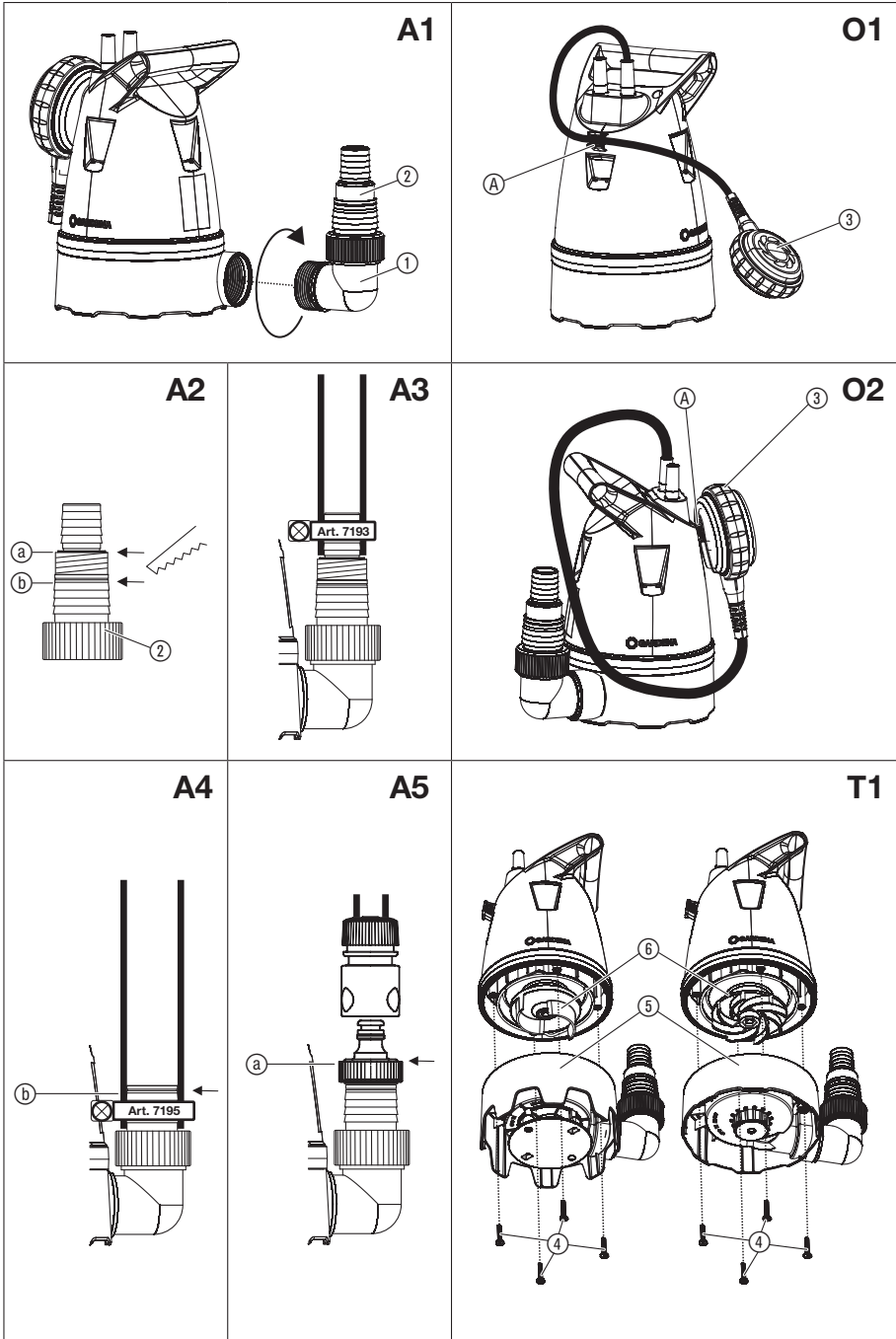
Husqvarna Latvija SIA
Ulbrokas 19A
LV-1021 Riga
info@gardena.lv

Lebanon

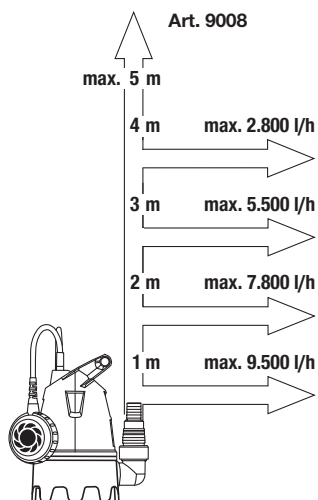
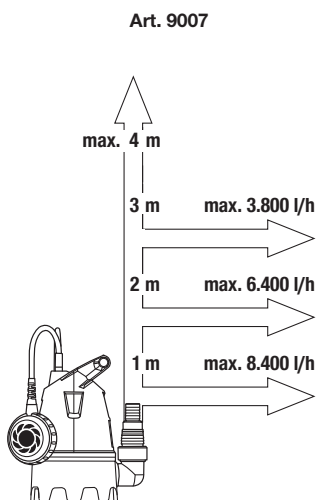
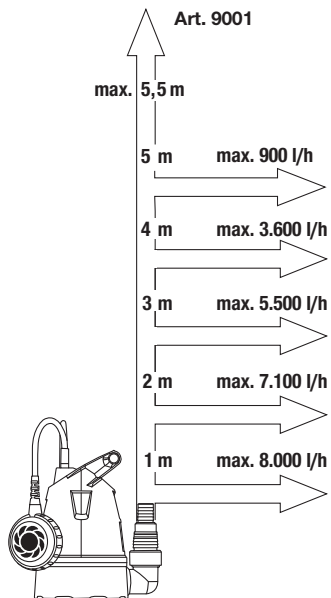
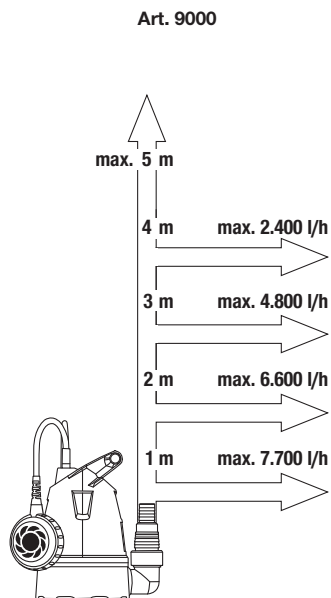
Tecnomec
Safra Highway (Beirut – Tripoli) Center
622 Mezher Bldg.
P.O.Box 215
Jounieh
Phone: (+961) 9 853527 /
(+961) 3 855481
tecnomec@idm.net.lb

Lithuania

UAB Husqvarna Lietuva
Atleties pl. 77C
LT-52104 Kaunas
info@gardena.lt



Performance characteristics



Luxembourg

Magasins Jules Neuberg
39, rue Jacques Stas
Luxembourg-Gasperich 2549
Case Postale No. 12
Luxembourg 2010
Phone: (+352) 40 14 01
api@neuberg.lu

Malaysia

Glomedic International Sdn Bhd
Jalan Ruang No. 30
Shah Alam, Selangor
40150 Malaysia
Phone: (+60) 3-7734 7997
oase@glomedic.com.my

Malta

I.V. Portelli & Sons Ltd.
85, 86, Triq San Pawl
Rabat - RBT 1240
Phone: (+356) 2145 4289

Mauritius

Espace Maison Ltée
La City Trianon, St Jean
Quatre Bornes
Phone: (+230) 460 85 85
digital@espacemaison.mu

Mexico

AFOSA
Av. Lopez Mateos Sur # 5019
Col. La Calma 45070
Zapopan, Jalisco, Mexico
Phone: (+52) 33 3818-3434
isolis@afosa.com.mx

Moldova

Convel SRL
Republica Moldova,
mun. Chisinau,
sos. Muncești 284
Phone: (+373) 22 857 126
www.convel.md

Mongolia

Soyolj Gardening Shop
Narmil Rd
Ulsanbaatar
14230 Mongolia
Phone: +976 7777 5080
soyolj@magjinet.mn

Morocco

Proekip
64 Rue de la Participation
Casablanca-Roches Noires
20303 Morocco
Phone: (+212) 661342107
hicham.hafani@proekip.ma

Netherlands

Husvarna Nederland B.V.
GARDENA Division
Postbus 50131
1305 AC ALMERE
Phone: (+31) 36 521 00 10
info@gardena.nl

Neth. Antilles

Jonka Enterprises N.V.
Sta. Rosa Weg 196
P.O. Box 8200
Curaçao
Phone: (+599) 9 767 66 55
info@jonka.com

New Zealand

Husvarna New Zealand Ltd.
PO Box 76-437
Manukau City 2241
Phone: (+64) (0) 9 9202410
support.nz@husvarna.co.nz

North Macedonia

Sinpeks d.o.o.
Ul. Kravarski Pat Bb
7000 Bitola
Phone: (+389) 47 20 85 00
sinpeks@mt.net.mk

Norway

Husvarna Norge AS
Gardena Division
Trøskenveien 36
1708 Sarpsborg
info@gardena.no

Northern Cyprus

Mediterranean Home & Garden
No 150 Alsancak, Karaoglanoglu
Caddesi Girne
Phone: (+90) 392 821 33 80
info@medgardener.com

Oman

General Development Services
PO 1475, PC - 111
Seeb
111 Oman
Phone: 96824582816
gdsoman@gdsoman.com

Paraguay

Agrofield SRL
AV. CHOFERES DEL CHACO
1449 C/25 DE MAYO
Asunción
Phone: (+595) 21 608 656
consultas@agrofield.com.py

Peru

Sierras y Herramientas Forestal SAC
Av. Las Gaviotas 833, Chorrillos
Lima
Phone: (+51) 1 2 52 02 52
supervisorenatas1@siersac.com
www.siersac.com

Philippines

Royal Dragon Traders Inc
10 Linaw Street, Barangay
Saint Peter Quezon City
1114 Philippines
Phone: (+63) 2 7426893
aida.fernandez@rdti.com.ph

Poland

Gardena Service Center Vrbo
c/o Husvarna Manufacturing CZ
s.r.o. Jesenícká 146
79326 Vrbo pod Pradědem
Czech Republic
Phone: (22) 336 78 90
servis@gardena.pl

Portugal

Husvarna Portugal, SA
Lagaa - Albarraque
2635 - 595 Rio de Moura
Phone: (+351) 21 922 85 30
Fax: (+351) 21 922 85 36
info@gardena.pt

Romania

Madex International Srl
Soseaua Odaii 117 - 123,
RO 013603 București, S1
Phone: (+40) 21 352 7603
madex@ines.ro

Russia / Россия

000 „Хускварна“
141400, Московская обл.,
г. Химки,
улица Ленинградская,
владение 39, стр.6
Бизнес Центр
„Химки Бизнес Парк“,
помещение 0B02_04
http://www.gardena.ru

Saudi Arabia

SACO
Takhassusi Main Road P.O. Box:
86387 Riyadh 12863
40011 Saudi Arabia
Phone: (966) 11 482 8877
webmaster@saco-ksa.com

Al Futtaim Pioneer Trading

5147 Al Faraqoq Dist.
Riyadh 7991
Phone: (+971) 4 206 6700
Owais.Khan@alfuttaim.com

Serbia

Domel d.o.o.
Slobodana Đurića 21
11000 Belgrade
Phone: (+381) 11 409 57 12
office@domel.rs

Singapore

Hy-Ray PRIVATE LIMITED
40 Jalan Pemimpin
#02-08 Tan Ann Building
Singapore 577185
Phone: (+65) 6253 2277
info@hyray.com.sg

Slovak Republic

Gardena
Service Center Vrbo
c/o Husvarna
Manufacturing CZ s.r.o.
Jesenická 146
79326 Vrbo pod Pradědem
Phone: 0800 154044
servis@gardena.sk

Slovenia

Husvarna Austria GmbH
Industriezeile 36
4010 Linz
Phone: (+43) 732 77 01 01-485
service.gardena@husvarnagroup.com

South Africa

Husvarna South Africa (Pty) Ltd
Lifestyle Business Park –
Ground Floor Block A Cnr
Beyers Naude Drive and Ysterhout
Road Randpark Ridge, Randburg
Phone: (+27) 10 015 5750
service@gardena.co.za

South Korea

Kyung Jin Trading Co., Ltd
8F Haengbok Building, 210,
Gangnam-Daero 137-891 Seoul
Phone: (+82) 2 574 6300
kjh@kjh.co.kr

Spain

Husvarna España S.A.
Calle de Rivas nº 10
28052 Madrid
Phone: (+34) 91 708 05 00
atencioncliente@gardena.es

Sri Lanka

Hunter & Company Ltd.
130 Front Street
Colombo
Phone: 94-11 232 81 71
hunters@eureka.lk

Suriname

Deto Handelmaatschappij N.V.
Kernkampweg 72-74
P.O. Box: 12782
Paramaribo
Suriname
Phone: (+597) 43 80 50
info@deto.sr

Sweden

Husvarna AB /
GARDENA Sverige
Drottninggatan 2
561 82 Huskvarna
Sverige
Phone: (+46) (0) 36-14 60 02
service@gardena.se

Switzerland / Schweiz

Husvarna Schweiz AG
Consumer Products
Industriestrasse 10
5506 Mägenwil
Phone: (+41) (0) 62 887 37 90
info@gardena.ch

Taiwan

Hong Ying Trading Co., Ltd.
No. 46 Wu-Kun-Wu Road
New Taipei City
Phone: (+886) (02) 2298 1486
salesgd1@7friends.com.tw

Tajikistan

ARIERS JV LLC
39, Ayni Street, 734024
Dushanbe, Tajikistan

Thailand

Spica Co. Ltd
243/2 Onnuh Rd., Prawat
Bangkok
10250 Thailand
Phone: (+66) (0)2721 7373
surapong@spica-siam.com

Tunisia

Société du matériel agricole et maritime
Nouveau port de pêche de Stax Bp 33
Stax 3065
Phone: (+216) 98 419047/
(+216) 74 497614
commercial@smamtunisia.com

Türkiye

Dost Bahçe
Yunus Mah. Adil Sk. No:3
Kartal
İstanbul
34873 Türkiye
Phone: (+90) 216 389 39 39

Turkmenistan

I.E. Orazmuhamedov Nurmuhammet
80 Ataturk, BERKARAR Shopping Center,
Ground floor, A77b,
Ashgabat 744000
TURKMENISTAN
Phone: (+993) 12 468859
Mob: (+993) 62 222887
info@jayhyzmat.com/
bekgiyev@jayhyzmat.com
www.jayhyzmat.com

UAE

Al-Futtaim ACE Company
L.L.C Building, Al Rebat Street
Festival City, Dubai
7880 UAE
Phone: (+971) 4 206 6700
ace@alfuttaim.ae

Ukraine / Україна

AT «Альцест»
вул Петропавлівська 4
08130, Київська обл.
Києво-Святошинський р-н. с.
Петропавлівська Борщагіевка Україна
Tel.: (+38) 0 800 503 000

Uruguay

FELI SA
Entre Rios 1083
11800 Montevideo
Phone: (+598) 22 03 18 44
info@felisa.com.uy

Uzbekistan

AGROHOUSE MChJ
O'zbekiston, 111112
Toshkent viloyati
Toshkent tumani
Hasanboy QFY, THAY yoqasida
Phone: (+998) 93-5414141 /
(+998) 71-2096868
info@agro.house
www.agro.house

Vietnam

Vision Joint Stock Company
BT1-17, Khu biet thu –
Khu Doan ngoai giao Nguyen Xuan Khoat
Xuan Dinh, Bac Tu Liem
Hanoi, Vietnam
Phone: (+8424)-38462833/34
quynhnm@visionjsc.com.vn

Zimbabwe

Cutting Edge
159 Citroen Rd, Msasa
Harare
Phone: (+263) 8677 008685
sales@cuttingedge.co.zw

9000-52.960.02/0224
© GARDENA Manufacturing GmbH
D-89079 Ulm
http://www.gardena.com