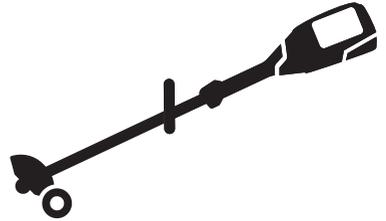




Husqvarna[®]



525iECS, 525iES

EN Operator's manual
ES-MX Manual del usuario
FR-CA Manuel d'utilisation

2-22
23-44
45-66

Contents

Introduction.....	2	Transportation, storage and disposal.....	19
Safety.....	4	Technical data.....	19
Assembly.....	12	Accessories.....	21
Operation.....	14	Registered trademarks.....	21
Maintenance.....	17	Supplier's Declaration of Conformity.....	22
Troubleshooting.....	18		

Introduction

Product description

Husqvarna 525iECS, 525iES is a battery operated edge cutter with an electrical motor.

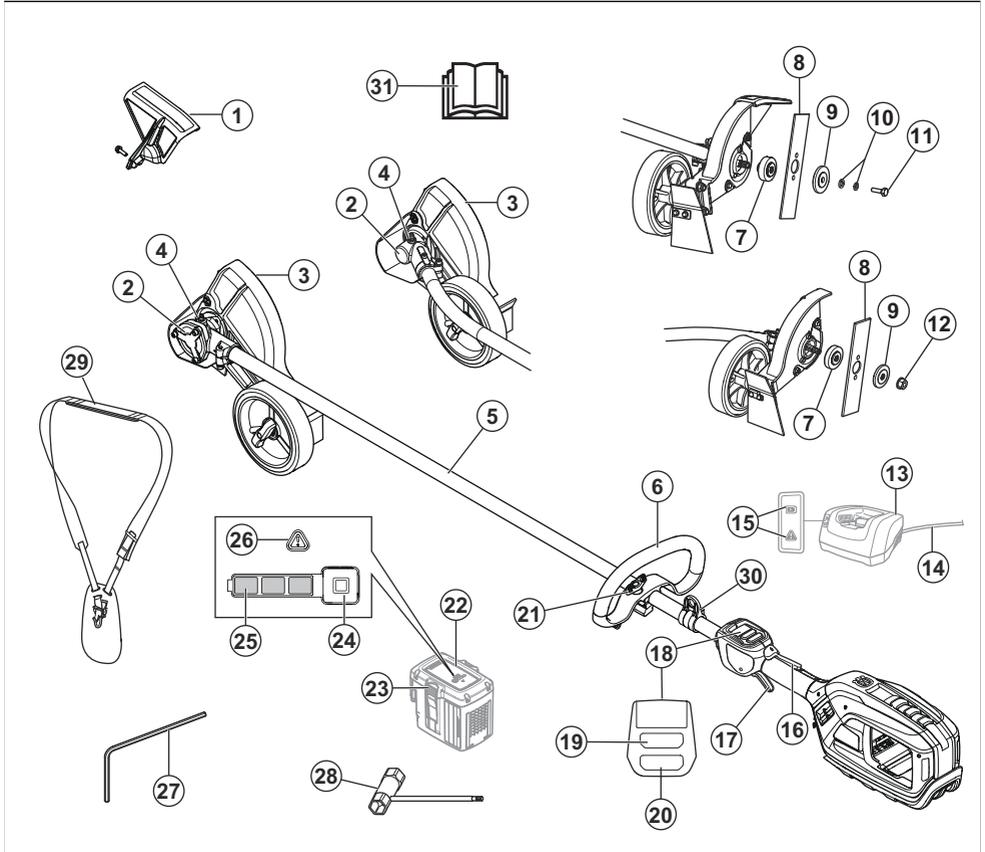
Work is constantly in progress to increase your safety and efficiency during operation. Speak to your servicing dealer for more information.

Intended use

The product is used to cut edges for lawns. Do not use the product for other tasks than lawn edging.

Note: National regulations can set limit to the operation of the product.

Product overview



- | | |
|--|------------------------------|
| 1. Front guard | 19. Start/stop button |
| 2. Bevel gear | 20. Speed mode button |
| 3. Cutting attachment guard | 21. Knob |
| 4. Grease filler cap, bevel gear | 22. Battery |
| 5. Shaft | 23. Battery release buttons |
| 6. Loop handle | 24. Battery indicator button |
| 7. Drive disc | 25. Battery status |
| 8. Blade | 26. Warning indicator |
| 9. Support flange | 27. 4 mm hex key |
| 10. Washers | 28. Combination tool |
| 11. Locking screw | 29. Harness |
| 12. Locknut | 30. Harness support hook |
| 13. Charger | |
| 14. Charger cable | |
| 15. Power on and Warning indicator (LED) | |
| 16. Power trigger lockout | |
| 17. Power trigger | |
| 18. User interface | |

Symbols on the product



WARNING: This product can be dangerous and cause serious injury or death to the operator or others. Be careful and use the product correctly.



Read the operator's manual carefully and make sure that you understand the instructions before use.



Use approved hearing protection. Use approved eye protection.



Use approved protective gloves.



Use heavy-duty slip-resistant boots.



max
/min

Maximum speed of the output shaft.

IPX4

Protected against splashing water.



Watch out for thrown objects and ricochets.



Warning for rotating blade. Keep hands and feet clear.



Warning! The blade continues to rotate even after the engine has stopped. When the engine has stopped, stop the blade from rotating by letting the blade come in contact with the ground.



Disconnect battery before maintenance.



Direct current.



Keep a minimum distance of 15 m to persons and animals during operation of the product.



®

If the product features *Bluetooth*® wireless technology. The *Bluetooth*® symbol will be marked on the product name label.

yyyywwxxxx

The rating plate or the laser printing shows the serial number. **yyyy** is the production year and **ww** is the production week.

Note: Other symbols/decals on the product refer to certification requirements for other commercial areas.

California Proposition 65



WARNING

This product contains or emits a chemical known to the State of California to cause cancer or birth defects or other reproductive harm.

Product damage

We are not responsible for damages to our product if:

- the product is incorrectly repaired.
- the product is repaired with parts that are not from the manufacturer or not approved by the manufacturer.
- the product has an accessory that is not from the manufacturer or not approved by the manufacturer.
- the product is not repaired at an approved service center or by an approved authority.

Safety

Safety definitions

Warnings, cautions and notes are used to point out specially important parts of the manual.



WARNING: Used if there is a risk of injury or death for the operator or bystanders

if the instructions in the manual are not obeyed.



CAUTION: Used if there is a risk of damage to the product, other materials or the adjacent area if the instructions in the manual are not obeyed.

Note: Used to give more information that is necessary in a given situation.

General machine safety warnings



WARNING: Read all safety warnings and all instructions. Failure to follow the warnings and instructions may result in electric shock, fire and/or serious injury.

Save all warnings and instructions for future reference.

The term "machine" in the warnings refers to your mains-operated (corded) machine or battery-operated (cordless) machine.

Check before starting

- Always remove the battery to prevent the product being started by accident. Always remove the battery before any maintenance on the product.
- Before using the product and after any impact, check for signs of wear or damage and repair as necessary.
- Inspect the working area. Remove all loose objects, such as stones, broken glass, nails, steel wire, string etc. that could be thrown out or become wrapped around the cutter or cutter guard.
- Check the motor for dirt and cracks. Clean off grass and leaves from the motor using a brush. Gloves should be worn when necessary.
- Check that the cutting blade is completely attached to the edger.
- Check that the product is in perfect working order. Check that all nuts and screws are tight.
- Check that the cutting blade and cutting guard are not damaged or cracked. Replace the cutting blade or cutting guard if they have been exposed to impact or are cracked. Always use the recommended guard for the cutting attachment you are using. See chapter on Technical data.
- The product operator must ensure that no people or animals come closer than 15 meters while working. When several operators are working in the same area the safety distance should be at least 15 meters.
- Carry out an overall inspection of the product before use. See the maintenance schedule.
- National or local regulations may regulate the use. Comply to given regulations.

Work area safety

- **Keep work area clean and well lit.** Cluttered or dark areas invite accidents.
- **Do not operate machine in explosive atmospheres, such as in the presence of flammable liquids, gases or dust.** Machines create sparks which may ignite the dust or fumes.
- **Keep children and bystanders away while operating a machine.** Distractions can cause you to lose control.

Electrical safety

- **Machine plugs must match the outlet. Never modify the plug in any way. Do not use any adapter plugs with earthed (grounded) machines.** Unmodified plugs and matching outlets will reduce risk of electric shock.
- **Avoid body contact with earthed or grounded surfaces, such as pipes, radiators, ranges and refrigerators.** There is an increased risk of electric shock if your body is earthed or grounded.
- **Do not expose machines to rain or wet conditions.** Water entering a machine will increase the risk of electric shock.
- **Do not abuse the cord. Never use the cord for carrying, pulling or unplugging the machine. Keep cord away from heat, oil, sharp edges or moving parts.** Damaged or entangled cords increase the risk of electric shock.
- **When operating a machine outdoors, use an extension cord suitable for outdoor use.** Use of a cord suitable for outdoor use reduces the risk of electric shock.
- **If operating a machine in a damp location is unavoidable, use a residual current device (RCD) protected supply.** Use of a RCD reduces the risk of electric shock.

Personal safety

- **Stay alert, watch what you are doing and use common sense when operating a machine. Do not use a machine while you are tired or under the influence of drugs, alcohol or medication.** A moment of inattention while operating machines may result in serious personal injury.
- **Use personal protective equipment. Always wear eye protection.** Protective equipment such as dust mask, non-skid safety shoes, hard hat or hearing protection used for appropriate conditions will reduce personal injuries.
- **Prevent unintentional starting. Ensure the switch is in the OFF-position before connecting to a power source and/or battery pack, picking up or carrying the tool.** Carrying machines with your finger on the switch or energising machines that have the switch on invites accidents.
- **Remove any adjusting key or wrench before turning the machine on.** A wrench or a key left attached to

a rotating part of the machine may result in personal injury.

- **Do not overreach. Keep proper footing and balance at all times.** This enables better control of the machine in unexpected situations.
- **Dress properly. Do not wear loose clothing or jewellery. Keep your hair and clothing away from moving parts.** Loose clothes, jewellery or long hair can be caught in moving parts.
- **If devices are provided for the connection of dust extraction and collection facilities, ensure these are connected and properly used.** Use of dust collection can reduce dust-related hazards.
- **Do not let familiarity gained from frequent use of tools allow you to become complacent and ignore tool safety principles.** A careless action can cause severe injury within a fraction of a second.
- The vibration emission during actual use of the machine can differ from the declared total value depending on the ways in which the tool is used. Operators should identify safety measures to protect themselves that are based on an estimation of exposure in the actual conditions of use (taking account of all parts of the operating cycle such as the times when the tool is switched off and when it is running idle in addition to the trigger).

Machine use and care

- **Do not force the machine. Use the correct machine for your application.** The correct machine will do the job better and safer at the rate for which it was designed.
- **Do not use the machine if the switch does not turn it on and off.** Any machine that cannot be controlled with the switch is dangerous and must be repaired.
- **Disconnect the plug from the power source and/or remove the battery pack, if detachable, from the machine before making any adjustments, changing accessories, or storing machines.** Such preventive safety measures reduce the risk of starting the machine accidentally.
- **Store idle machines out of the reach of children and do not allow persons unfamiliar with the machines or these instructions to operate the machines.** Machines are dangerous in the hands of untrained users.
- **Maintain machines and accessories. Check for misalignment or binding of moving parts, breakage of parts and any other condition that may affect the machines' operation. If damaged, have the machine repaired before use.** Many accidents are caused by poorly maintained machines.
- **Keep cutting tools sharp and clean.** Properly maintained cutting tools with sharp cutting edges are less likely to bind and are easier to control.
- **Use the machine, accessories and tool bits etc. in accordance with these instructions, taking into account the working conditions and the work to be performed.** Use of the machine for operations

different from those intended could result in a hazardous situation.

- **Keep handles and grasping surfaces dry, clean and free from oil and grease.** Slippery handles and grasping surfaces do not allow for safe handling and control of the tool in unexpected situations.

Battery tool use and care

- **Recharge only with the charger specified by the manufacturer.** A charger that is suitable for one type of battery pack may create a risk of fire when used with another battery pack.
- **Use products only with specifically designated battery packs.** Use of any other battery packs may create a risk of injury and fire.
- **When battery pack is not in use, keep it away from other metal objects, like paper clips, coins, keys, nails, screws or other small metal objects, that can make a connection from one terminal to another.** Shorting the battery terminals together may cause burns or a fire.
- **Under abusive conditions, liquid may be ejected from the battery; avoid contact. If contact accidentally occurs, flush with water. If liquid contacts eyes, additionally seek medical help.** Liquid ejected from the battery may cause irritations or burns.
- **Do not use a battery pack or tool that is damaged or modified.** Damaged or modified batteries may exhibit unpredictable behavior resulting in fire, explosion or risk of injury.
- **Do not expose a battery pack or tool to fire or excessive temperature.** Exposure to fire or temperature above may cause explosion.
- **Follow all charging instructions and do not charge the battery pack or tool outside the temperature range specified in the instructions.** Charging improperly or at temperatures outside the specified range may damage the battery and increase the risk of fire.

Service

- **Have your machine serviced by a qualified repair person using only identical replacement parts.** This will ensure that the safety of the machine is maintained.
- **Never service damaged battery packs.** Service of battery packs should only be performed by the manufacturer or authorized service providers.

Lawn trimmer and lawn edge trimmer safety warnings

- **Do not use the machine in bad weather conditions, especially when there is a risk of lightning.** This decreases the risk of being struck by lightning.
- **Thoroughly inspect the area for wildlife where the machine is to be used.** Wildlife may be injured by the machine during operation.
- **Thoroughly inspect the area where the machine is to be used and remove all stones, sticks, wires, bones,**

and other foreign objects. Thrown objects can cause personal injury.

- **Before using the machine, always visually inspect to see that the cutter and the cutter assembly are not damaged.** Damaged parts increase the risk of injury.
- **Before use, check the supply cord and any extension cord for signs of damage or aging. Do not use the machine if the cord is damaged or worn. If the cord is damaged or worn during use, switch off the machine and do not touch the cord before disconnecting it from the supply.** A damaged supply cord or extension cord may result in electric shock, fire and/or serious injury.
- **Keep guards in place. Guards must be in working order and be properly mounted.** A guard that is loose, damaged, or is not functioning correctly may result in personal injury.
- **Keep all cooling air inlets clear of debris.** Blocked air inlets and debris may result in overheating or risk of fire.
- **Wear eye protection and ear protection.** Adequate protective equipment will reduce personal injury.
- **While operating the machine, always wear non-slip and protective footwear. Do not operate the machine when barefoot or wearing open sandals.** This reduces the chance of injury to the feet from contact with the moving cutter.
- **Always wear clothing such as trousers that covers the operator's legs while operating the machine.** Contact with the moving cutter or line may cause injury.
- **Keep bystanders away while operating the machine.** Thrown debris can result in serious personal injury.
- **Do not operate the machine above waist height.** This helps prevent unintended cutter contact and enables better control of the machine in unexpected situations.
- **Exercise caution when operating the machine in wet grass. Walk, never run.** This reduces the risk of slipping and falling which may result in personal injury.
- **Do not operate the machine on excessively steep slopes.** This reduces the risk of loss of control, slipping and falling which may result in personal injury.
- **When working on slopes, always be sure of your footing, always work across the face of slopes, never up or down and exercise extreme caution when changing direction.** This reduces the risk of loss of control, slipping and falling which may result in personal injury.
- **Keep all power cords and cables away from cutting area.** Power cords or cables may be hidden in hedges or bushes and can be accidentally cut or damaged by the line or cutter.
- **Keep all parts of the body away from the moving trimmer cutter or line. Do not clear material from the machine until it has been disconnected from the**

power source. The moving trimmer cutter or line may result in serious personal injury.

- **Carry the machine with the machine switched off and away from your body.** Proper handling of the machine will reduce the likelihood of accidental contact with a moving trimmer cutter or line.
- **Only use replacement cutting heads and trimmer cutters or lines specified by the manufacturer. Do not replace the trimmer cutters or lines with metal wires or blades.** Incorrect replacement parts may cause loss of control, breakage and injury.

Always use common sense

It is not possible to cover every conceivable situation you can face. Always exercise care and use your common sense. Avoid all situations which you consider to be beyond your capability. If you still feel uncertain about operating procedures after reading these instructions, you should consult an expert before continuing.



WARNING: Never allow children to use or be in the vicinity of the machine. Since the machine is easy to start, children may be able to start it if they are not kept under full surveillance. This can mean a risk of serious personal injury. Therefore disconnect the battery when the machine is not under close supervision.

General safety instructions

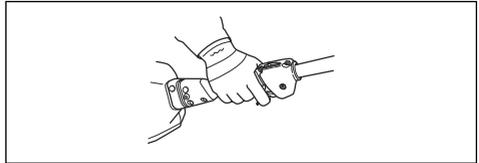


WARNING: Read the warning instructions that follow before you use the product.

- Remove the battery to prevent the product from being started by accident.
- This product is a dangerous tool if you are not careful or if you use the product incorrectly. This product can cause serious injury or death to the operator or others.
- Do not use the product if it is changed from its initial specification. Do not change a part of the product without approval from the manufacturer. Only use parts that are approved by the manufacturer. Injury or death is a possible result of incorrect maintenance.
- Do a check of the product before use. See, *Check before starting on page 5* and *Before you operate the product on page 14*. Do not use a product that is damaged or does not operate correctly. Do the safety checks, maintenance and service instructions described in this manual.
- Children should be supervised to ensure that they do not play with the product. Never allow children or other persons not trained in the use of the product and/or the battery to use or service it. Local laws may regulate the age of the user.

- Keep the product in a locked area to prevent access for children or persons that are not approved.
- Store the product out of reach of children.
- Under no circumstances may the design of the product be modified without the permission of the manufacturer. Always use original accessories. Non-authorized modifications and/or accessories can result in serious personal injury or the death of the operator and others.

- Never put the product down without deactivating it, unless you have it in clear sight.
- Always use both hands to hold the product. Hold the product at the side of your body.
- Use your right hand to control the power trigger.



Note: National or Local laws can regulate the use. Comply to given regulations.

Safety instructions for operation



WARNING: Read the safety instructions that follow before you use the product.

- Never allow children to use the product.
- Never allow anyone else to use the product without first ensuring that they have understood the contents of the operator's manual.
- Keep unauthorized persons at a distance. Children, animals, onlookers and helpers should be kept outside the safety zone of 15 m (50 ft) while you work. Stop the product immediately if anyone approaches.
- Make sure you can move and stand safely. Check the area around you for possible obstacles (roots, rocks, branches, ditches, etc.) in case you have to move suddenly. Take great care when working on sloping ground.

- Listen out for warning signals or shouts when you are wearing hearing protection. Always remove your hearing protection as soon as the engine stops.
- Make sure that your hands and feet do not come near the cutting attachment when the engine is running.
- When the engine is switched off, keep your hands and feet away from the cutting attachment until it has stopped completely.
- Always keep the cutter close to the ground.
- Always carry out edging with power trigger at full speed.
- Be especially careful when pulling the edger towards you during work.
- If any foreign object is hit or if vibrations occur stop the product immediately. Deactivate the product. Check that the product is not damaged. Repair any damage.
- Sometimes grass or stones can get trapped in the cutter guard and cutter. Always deactivate the product and remove the battery before cleaning.



- Inspect the working area. Remove all loose objects, such as stones, broken glass, nails, steel wire, string, etc. that could be thrown out or become wrapped around the cutter or cutter guard.
- Watch out for thrown objects. Always wear approved eye protection. Never lean over the cutting attachment guard. Stones, rubbish, etc. can be thrown up into the eyes causing blindness or serious injury.
- Do not use the product in bad weather, such as dense fog, heavy rain, strong wind, intense cold, etc.
- Do not use the product unless you are able to call for help in the event of an accident.
- The product must always be deactivated before moving.

Bluetooth®



CAUTION: Changes or modifications made to this equipment not expressly approved by Husqvarna may void the FCC authorization to operate this equipment.

Notice: This device complies with Part 15 of FCC Rules and with Innovation, Science and Economic Development Canada licence-exempt RSS standard. Operation is subject to the following two conditions:

- This device may not cause harmful interference
- This device must accept any interference received, including interference that cause undesired operation.

Note: This equipment has been tested and found to comply with the limits for a Class B digital device, pursuant to part 15 of the FCC Rules. These limits are designed to provide reasonable protection against harmful interference in a residential installation. This equipment generates, uses and can radiate radio frequency energy and, if not installed and used in accordance with the instructions, may cause harmful interference to radio communications. However, there

is no guarantee that interference will not occur in a particular installation. If this equipment does cause harmful interference to radio or television reception, which can be determined by turning the equipment off and on, the user is encouraged to try to correct the interference by one or more of the following measures:

- Reorient or relocate the receiving antenna.
- Increase the separation between the equipment and receiver.
- Connect the equipment into an outlet on a circuit different from that to which the receiver is connected.
- Consult the dealer or an experienced radio/TV technician for help.

This product meets the applicable Innovation, Science and Economic Development Canada technical specifications.

Le présent produit est conforme aux spécifications techniques applicables d'Innovation, Sciences et Développement économique Canada.

Le présent appareil est conforme aux CNR d'Innovation, Sciences et Développement économique Canada applicables aux appareils radio exempts de licence. L'exploitation est autorisée aux deux conditions suivantes:

- l'appareil ne doit pas produire de brouillage, et
- l'appareil doit accepter tout brouillage radioélectrique subi, même si le brouillage est susceptible d'en compromettre le fonctionnement.

Suppliers Declaration of Conformity for Husqvarna525IECS, 525IES

Responsible Party

Husqvarna Professional Product, Inc.

9335 Harris Corners Parkway

Charlotte, NC 28269

United States

Telephone: +1 704 597 5000

E-mail: <http://www.husqvarna.com/us/support/e-mail/>

Personal protective equipment



WARNING: Read the warning instructions that follow before you use the product.

- Always use approved personal protective equipment when you use the product. Personal protective equipment cannot fully prevent injury but it decreases the degree of injury if an accident does occur. Let your dealer help you select the right equipment.
- Use a protective helmet where there is a risk of falling objects.

- Use approved hearing protection that provides adequate noise reduction. Long-term exposure to noise can result in permanent hearing impairment.
- Use approved eye protection. If you use a visor, you must also use approved protective goggles. Approved protective goggles must comply with the ANSI Z87.1 standard in the USA or EN 166 in EU countries.
- Use a visor for face protection. A visor is not enough for protection of the eyes.



- Use gloves when necessary, for example when you attach, examine or clean the cutting equipment.
- Use sturdy non-slip boots.
- Use clothing made of a strong fabric. Always use heavy, long pants and long sleeves. Do not use loose clothing that can catch on twigs and branches. Do not wear jewelry, short pants, sandals or go with bare feet. Put your hair up safely above shoulder level.



- Keep first aid equipment close at hand.



Safety devices on the product



WARNING: Read the warning instructions that follow before you use the product.

In this section the product's safety features, its purpose and how checks and maintenance should be carried out to ensure that it operates correctly. See instructions under the heading *Introduction on page 2* to find where these parts are located on your product.

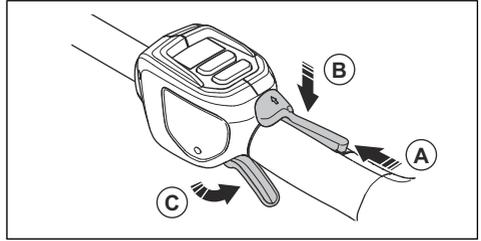
The life span of the product can be reduced and the risk of accidents can increase if product maintenance is not carried out correctly and if service and/or repairs are not carried out professionally. If you need further information please contact your nearest servicing dealer.



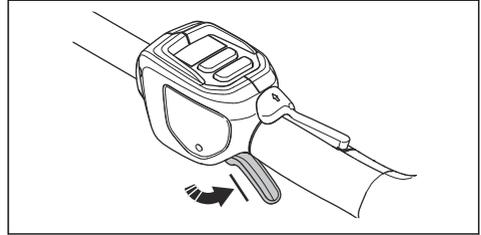
WARNING: Never use a product with damaged safety components. The product's safety equipment must be inspected and maintained as described in this section. If your product fails any of these checks, contact your service agent to get it repaired.



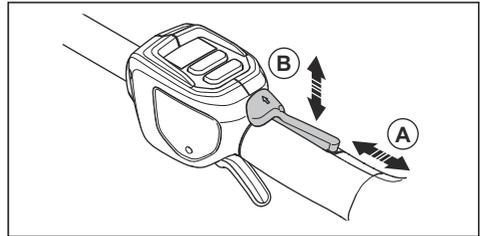
CAUTION: All servicing and repair work on the machine requires special training. This is especially true of the machine's safety equipment. If your machine fails any of the checks described below you must contact your service agent. When you buy any of our products we guarantee the availability of professional repairs and service. If the retailer who sells your machine is not a servicing dealer, ask him for the address of your nearest service agent.



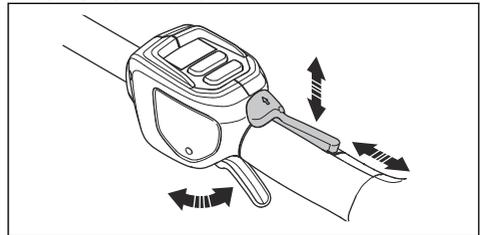
1. Make sure that the power trigger is locked when the lock is in its original position.



2. Push the power trigger lockout forward (A) and down. Hold the power trigger lockout against the handle (B) and make sure that it returns to its original position when you release it.



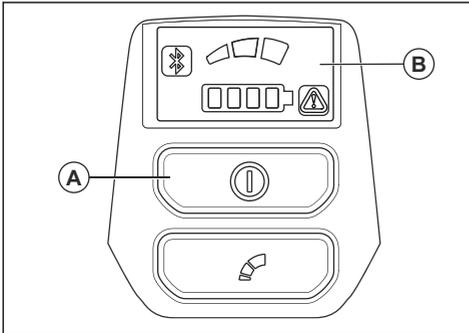
3. Make sure that the power trigger and the power trigger lockout moves freely and that the return springs operate properly.



4. Start the product, refer to *To start the product on page 15*.
5. Push the power trigger fully to apply full speed.
6. Release the power trigger and make sure that the cutting attachment stops and remains still.

To do a check of the user interface

1. Press and hold the start/stop button (A).
 - a) The product is on when the display (B) comes on.



- b) The product is off when the display goes off.
2. If the warning indicator on the display is on or flashes, refer to *Troubleshooting on page 18*.

To do a check of the power trigger lockout

The power trigger lockout is designed to prevent accidental operation. When you push the power trigger lockout forward (A) and then press the power trigger lockout against the handle (B), the power trigger (C) is released. When you release the handle, the power trigger and the power trigger lockout both move back to their original positions. This movement is operated by three independent springs.

To do a check of the cutting attachment guard



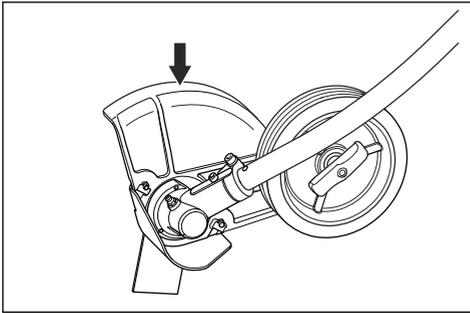
WARNING: Do not use a cutting attachment without an approved and correctly attached cutting attachment guard. Always use the recommended cutting attachment guard for the cutting attachment that you use, see *Accessories on page 21*. If an incorrect or faulty cutting attachment guard is attached, it can cause serious personal injury.



WARNING: Make sure that the front guard is installed. Refer to *To install the front guard on page 13*.

The cutting attachment guard stops objects that eject in the direction of the operator. The cutting attachment guard also prevents injuries that can occur if you touch the cutting attachment.

1. Deactivate the product.
2. Do a visual check for damages, for example cracks, on the cutting attachment guard and front guard.

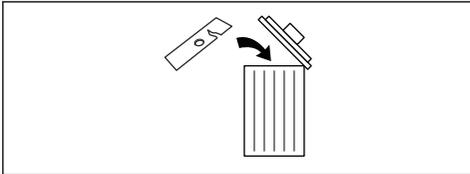


3. Replace the cutting attachment guard if it is damaged.

To check the blade

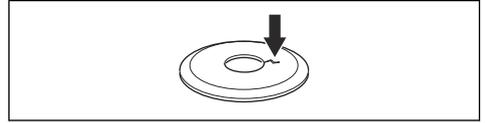
The blade is designed and manufactured to withstand the loads that edging of a lawn involves.

- Check the blade for damage or cracks. A damaged blade should always be replaced.



To check the support flange

- Check that the support flange is not cracked due to fatigue or due to being tightened too much. Discard the support flange if it is cracked.



To check the locknut



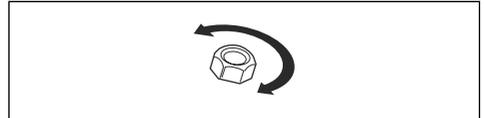
CAUTION: The nylon lining inside the locknut must not be so worn that you can turn it by hand. The lining should offer a resistance of minimum 1.5 Nm / 13 in-lb. The locknut must be replaced after it has been put on approximately 10 times.



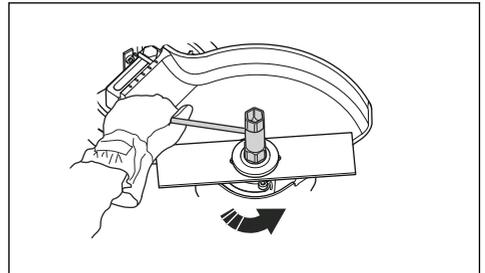
CAUTION: The locknut has a left-hand thread. To tighten the locknut too much can cause damage to the threads.

The locknut secures the cutting attachment on the output shaft. Protect your hand from injury when assembling, use the cutting attachment guard as protection when tightening with a socket wrench.

1. When fitting, tighten the locknut in the opposite direction to the direction of rotation of the cutting attachment. To remove it, undo the locknut in the same direction as the cutting attachment rotates.



2. Tighten the locknut using a socket wrench to 35-50 Nm / 26-37 ft-lbs.



Cutting equipment

Select correct cutting equipment and do maintenance on the cutting equipment to:

- Get maximum cutting performance.
- Increase lifetime of the cutting equipment.



WARNING: Only use the cutting attachments and guards recommended by Husqvarna. Refer to *Accessories on page 21*.



WARNING: A defective cutting attachment may increase the risk of accidents.



WARNING: Always stop the engine before you do the work on the cutting attachment. This continues to rotate after you release the power trigger. Make sure that the cutting attachment has stopped fully and remove the battery before you start the work on it.



WARNING: Always wear heavy duty gloves when you attach, examine or clean the cutting equipment.

Safety instructions for maintenance



WARNING: Read the warning instructions that follow before you do maintenance on the product.

- Remove the battery before you do maintenance, other checks or assemble the product.
- The operator must only do the maintenance and servicing shown in this operator's manual. Turn to your servicing dealer for maintenance and servicing of a larger extension.
- Do not clean the battery or the battery charger with water. Strong detergent can cause damage to the plastic.
- If you do not do maintenance, it decreases the life cycle of the product and increases the risk of accidents.
- Special training is necessary for all servicing and repair work, especially for the safety devices on the product. If not all checks in this operator's manual are approved after you have done maintenance, turn to your servicing dealer. We guarantee that there are professional repairs and servicing available for your product.
- Only use original spare parts.

Assembly

Introduction

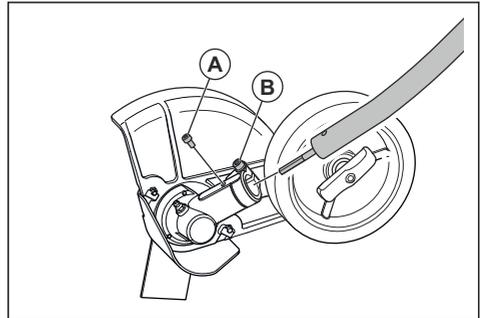


WARNING: Read and understand the safety chapter before you assemble the product.

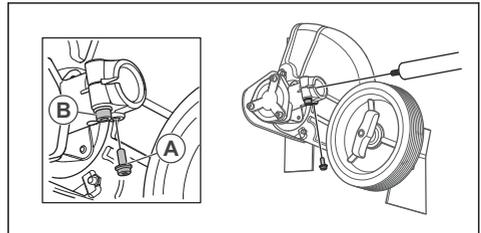
To assemble the bevel gear

1. Insert the driveshaft into the bevel gearbox housing. Turn the cutting attachment so that the shaft engages in the bevel gear.
2. Attach the bevel gear box to the shaft tube aligning the positioning hole (525iECS) or the welding seam of the shaft tube (525iES).
3. Fasten the screw (A), then fasten the clamp bolt (B) firmly, 6-8 Nm / 53-70 in-lb.

a) For model 525iECS:



b) For model 525iES:



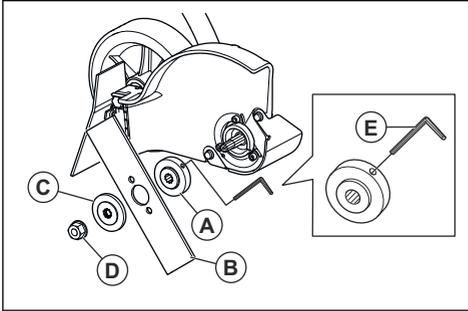
To assemble the cutting attachment



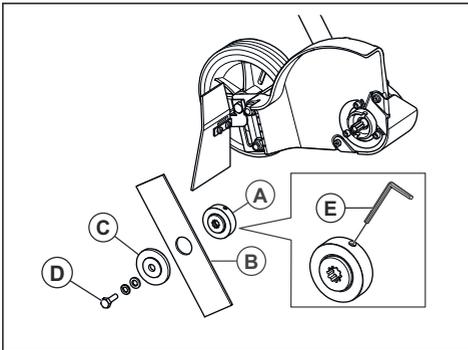
WARNING: Never use a cutting attachment without an approved cutting attachment guard. If an incorrect or faulty cutting attachment guard is fitted this can cause serious personal injury.

1. Fit the drive disc (A) on the output shaft. Make sure that the edge of the drive disc, that fits in the hole of the blade, is facing outwards.

a) For model 525iECS:



b) For model 525iES:

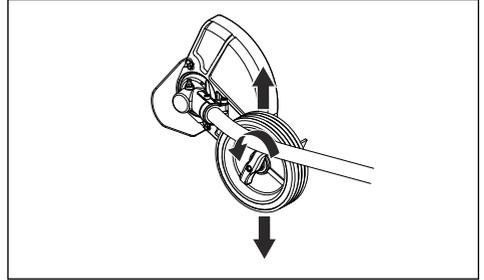


2. Lock the blade rotation by inserting the hex key (E) in the hole on the drive disc.
3. Fit the blade (B) on the drive disc.
4. Fit the support flange (C). The support flange must be fitted so that its outer edge presses against the blade.
5. Fit the locknut / blade mounting bolt (D). The locknut / blade mounting bolt has a left-hand thread. Tighten the locknut / blade mounting bolt to a torque of 15-20 Nm / 12-15 ft-lb.
6. Remove the hex key.

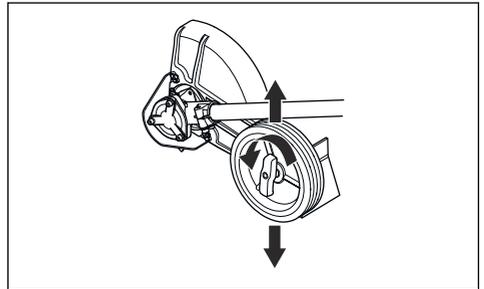
To adjust the cutting depth of the cutting attachment

The cutting depth of the cutting attachment must be adjusted before starting work.

1. Loosen the wing nut.
 - a) For model 525iECS:



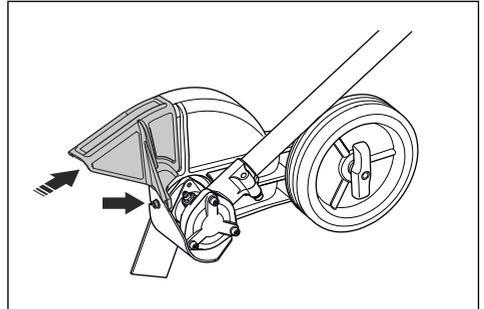
b) For model 525iES:



2. Set the desired cutting depth.
3. Tighten the wing nut.

To install the front guard

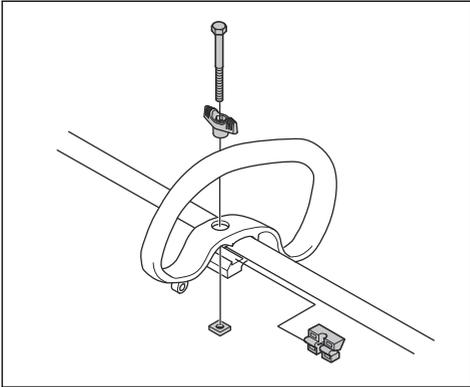
1. Install the front guard on the front of the cutting attachment guard.



2. Attach the bolt and tighten it.

To assemble the loop handle

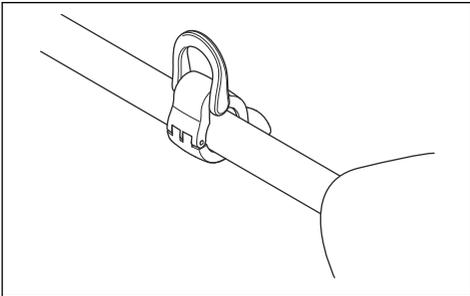
1. Attach the loop handle onto the shaft.



2. Move the spacer into the slot of the loop handle.
3. Install the nut, the knob and the screw, do not make it too tight.
4. Adjust the product to a comfortable position. Refer to *To adjust the loop handle on page 15*.
5. Tighten the bolt.

To install the harness support hook

1. Install the harness support hook between the loop handle and the throttle handle.



Note: Do not put the support hook on the decal.

2. Adjust the ring to make the product balanced, and easy to use.

To adjust the harness

1. Put on the harness.
2. Attach the harness to the harness support hook.
3. Adjust the length of the harness until the harness support hook is in level with your right hip.

Battery information

Refer to the operator's manual of the battery for information about how to use the battery.

Operation

Introduction

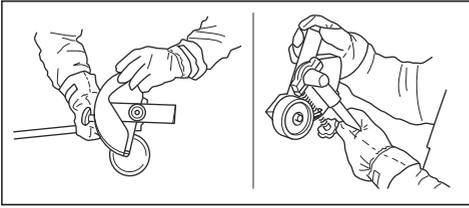


WARNING: Read and understand the safety chapter before you use the product.

Before you operate the product

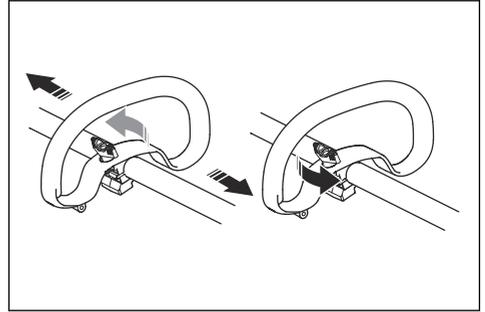
- Examine the work area to make sure that you know the type of terrain. Examine the slope of the ground and if there are obstacles such as stones, branches and ditches.

- Do a general inspection of the product.
- Do the safety inspections, maintenance and servicing that are given in this manual.
- Make sure that all nuts and screws are tight.
- Make sure that all covers, guards, handles and the cutting equipment are correctly attached and not damaged before you start the product.



To adjust the loop handle

1. Loosen the knob and adjust the loop handle to an applicable position.



Note: Make sure not to attach or move the loop handle onto the warning decals on the two-piece shaft.

2. Tighten the knob.

Automatic shutdown function

The product has a shutdown function that stops the product if the product is not used. The green LED for start/stop indication goes off and the product stops after 180 seconds.

To operate the product

To cut the lawn edge



WARNING: Do not remove the cut material, or let other persons remove cut material, while the product is on or the cutting equipment rotates, as this can result in serious injury.



WARNING: Watch out for thrown objects. Always wear approved eye protection. Never lean over the cutting attachment guard. Stones, rubbish, etc., can be thrown up into the eyes which can cause blindness or serious injury.



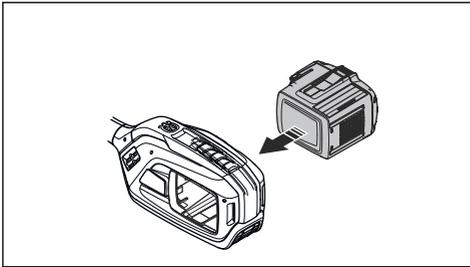
WARNING: Ensure that no people or animals come closer than 15 meters while you work. When several operators are working in the same area the safety distance should be at least 15 meters. Otherwise there is a risk of serious personal injury. Stop the product immediately if anyone approaches. Never swing the product around without first checking behind you to make sure that no one is within the safety zone.

To connect the battery to the product



WARNING: Only use Husqvarna original batteries with the product.

1. Make sure that the battery is fully charged.
2. Push the battery into the battery holder of the product. The battery locks into position when you hear a click.

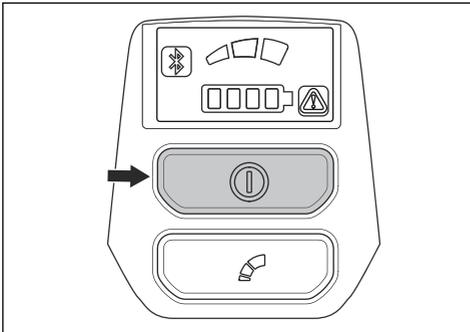


CAUTION: If the battery does not move easily into the battery holder, the battery is not installed correctly. This can cause damage to the product.

3. Make sure that the battery is installed correctly.

To start the product

1. Put the product in the start position.
2. Push and hold the start button until the green LED comes on.

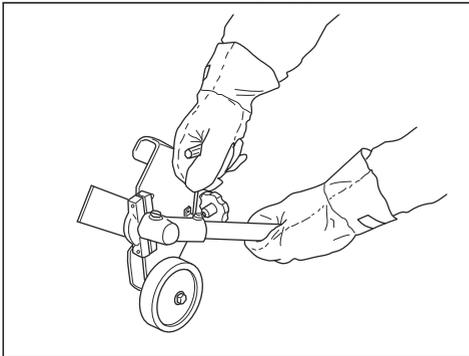


3. Use the power trigger to control the speed.

Make sure that you have a safe and stable work position.



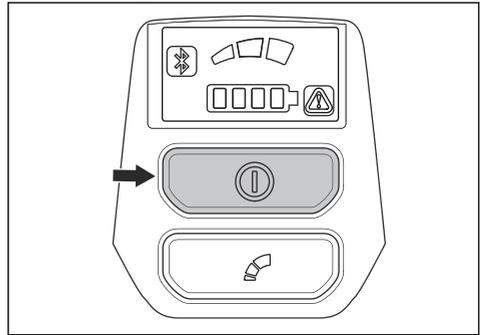
- Always hold the product with two hands. Hold the product on the right side of your body.
- Use your right hand to control the power trigger.
- Always keep the blade near the ground.
- Make sure that your hand and feet do not come near the cutting attachment when the engine operates.
- When the engine is stopped, keep your hands and feet away from the cutting attachment until it has fully stopped.
- Always edge at full power trigger.
- Walk slowly.
- Make sure that the cut material ejects into an area that was cut before.
- Be especially careful when you pull the edger rearward during work.
- If any foreign object is hit or if vibrations occur stop the product immediately. Remove the battery from the product and check that the product is not damaged.
- Always wear heavy duty gloves when you attach, examine or clean the cutting equipment.



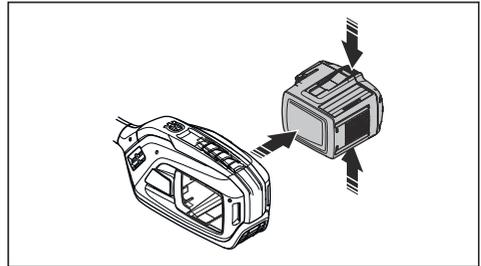
To stop the product

1. Release the power trigger or the power trigger lockout.
2. Put the product in the stop position.

3. Push the stop button.



4. Push the release buttons on the battery and pull the battery out.



Husqvarna Fleet Services™

Husqvarna Fleet Services™ is a cloud solution that gives the commercial fleet manager an overview of all products. It is also possible for the fleet managers to get remote access to information about the product. For more information about Husqvarna Fleet Services™, refer to .

Bluetooth® wireless technology

Products with built-in Bluetooth® wireless technology can connect to mobile devices and enables additional functions.

The symbol for *Bluetooth*® wireless technology comes on when your mobile device is connected to the product.



To connect to the product with Husqvarna Fleet Services™

1. Download the Husqvarna Fleet Services™ app to your mobile device.
2. Log on to the Husqvarna Fleet Services™ app.
3. Follow the instructions about how to pair the product with Husqvarna Fleet Services™.

Maintenance

Introduction



WARNING: Read and understand the safety chapter before you do maintenance on the product.

The following is a list of the maintenance steps that you must do on the product. See *Maintenance on page 17* for more information.

Maintenance schedule



WARNING: Remove the battery before you do maintenance.

Maintenance	Daily	Weekly	Monthly
Clean the external parts of the product with a dry cloth. Do not use water.	X		
Examine that the start and stop button works correctly and is not damaged.	X		
Make sure that the power trigger and the power trigger lockout function correctly from a safety point of view.	X		
Make sure that all controls work and are not damaged.	X		
Keep the handles dry, clean and free from oil and grease.	X		
Make sure that the cutting attachment is not damaged. Replace the cutting attachment if it is damaged.	X		
Make sure that the cutting attachment guard is not damaged. Replace the cutting attachment guard if it is damaged.	X		
Make sure that the screws and nuts are tight.	X		
Make sure that the battery release buttons on the battery works and locks the battery in the product.	X		
Examine that the battery charger is not damaged and function correctly.	X		
Make sure that the battery is not damaged.	X		
Make sure that the battery is charged.	X		
Make sure that the battery charger is not damaged.	X		
Examine all cables, couplings and connections. Make sure they are not damaged and free from dirt.		X	
Do a check of the connections between the battery and the product. Do a check of the connection between the battery and the battery charger.			X

To examine the battery and the battery charger

1. Examine the battery for damages, for example cracks.
2. Examine the battery charger for damages, for example cracks.

3. Make sure that the connection cord of the battery charger is not damaged and that there are no cracks in it.

To clean the product, the battery and the battery charger

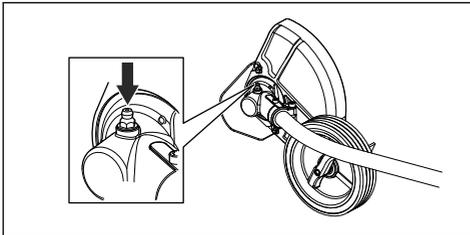
1. Clean the product with a dry cloth after use.

2. Clean the battery and battery charger with a dry cloth. Keep the battery guide tracks clean.
3. Make sure that the terminals on the battery and the battery charger are clean before the battery is put in the battery charger or the product.

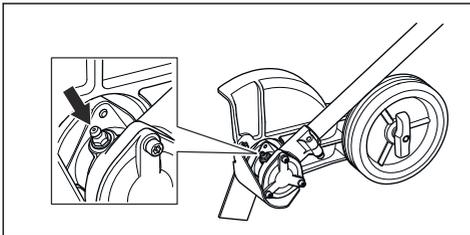
To check the bevel gear

The bevel gear is filled with the right quantity of grease at the factory. The grease in the bevel gear does not normally need to be changed except if repairs are carried out.

- Before using the product check that the bevel gear is filled to $\frac{3}{4}$ with grease. Fill if necessary using special grease.
 - a) For model 525iECS:



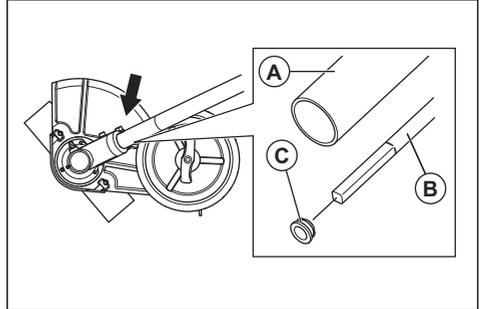
- b) For model 525iES:



To lubricate the flexible drive shaft

Only for model 525iECS.

1. Loosen the 2 screws on the bevel gear.
2. Remove the bevel gear.
3. Take a firm grip on the hollow shaft (A) and remove the flexible drive shaft (B) from the opposite end of the gear box.



Note: The bushing (C) will fall off when you remove the flexible driveshaft. Make sure that you do not lose it. Put the bushing safely aside.

4. Lubricate the entire length of the flexible drive shaft.
5. Reinsert the flexible driveshaft in the hollow shaft. Turn the flexible driveshaft while inserting it so that it correctly engages in the bevel gear.
6. Attach the bushing on the flexible drive shaft.
7. Attach the bevel gear on the hollow drive shaft and tighten the 2 screws.

Troubleshooting

User interface

Problem	Possible faults	Possible action
Battery LED indicator flashes orange	Low battery voltage.	Charge the battery.
Error LED flashes red	Overload.	The cutting attachment is jammed. Stop the product. Remove the battery. Clean the cutting attachment from unwanted materials.
	Temperature deviation.	Let the product cool down.
	The power trigger and the activate button are pressed at the same time.	Release the power trigger and the product is active.

Problem	Possible faults	Possible action
The product does not start	Dirt in the battery connectors.	Clean the battery connectors with compressed air or a soft brush.
Error LED is lit with red light	The product needs servicing.	Contact your servicing agent.

Transportation, storage and disposal

Transportation and storage

- The supplied Li-ion batteries obey the Dangerous Goods Legislation requirements.
- Obey the special requirement on package and labels for commercial transportation, including by third parties and forwarding agents.
- Speak to a person with special training in dangerous material before you send the product. Obey all applicable national regulations.
- Use tape on open contacts when you put the battery in a package. Put the battery in the package tightly to prevent movement.
- Remove the battery for storage or transportation.
- Put the battery and the battery charger in a space that is dry and free from moisture and frost.
- Do not keep the battery in an area where static electricity can occur. Do not keep the battery in a metal box.
- Put the battery in storage where the temperature is between 5°C/41°F and 25°C/77°F and away from open sunlight.
- Put the battery charger in storage where the temperature is between 5°C/41°F and 45°C/113°F and away from open sunlight.
- Use the battery charger only when the surrounding temperature is between 5°C/41°F and 40°C/104°F.

- Charge the battery 30% to 50% before you put it in storage for long periods.
- Put the battery charger in storage in a space that is closed and dry.
- Keep the battery away from the battery charger during storage. Do not let children and other not approved persons to touch the equipment. Keep the equipment in a space that you can lock.
- Clean the product and do a full servicing before you put the product in storage for a long time.
- Use the transportation guard on the product to prevent injuries or damage on the product during transportation and storage.
- Attach the product safely during transportation.

Disposal of the battery, battery charger and product

Symbols on the product or the package of the product means that the product is not domestic waste. Recycle it at a recycling station for electrical and electronic equipment. This helps to prevent damage to the environment and to persons.

Get in touch with your local authorities, domestic waste service or your dealer for more information about how to recycle your product.

Technical data

Technical data

	525IECS	525IES
Motor		
Motor type	Husqvarna E-torque, BLDC	Husqvarna E-torque, BLDC
Speed of output shaft, rpm	8400	4200
Cutting width, mm	200	200
Weight		
Weight without battery, kg / lb	5.4 / 11.9	5.6 / 12.3
Weight with battery (BLI300), kg / lb	7.3 / 16.1	7.5 / 16.5

	525IECS	525IES
Noise emissions ¹		
Sound power level, measured dB (A)	96.4	91.0
Sound levels ²		
Equivalent sound pressure level at the operator's ear, measured according to IEC 62841-1, dB (A) Equipped with edger blade (original).	76.7	75.7
Vibration levels ³		
Vibration levels at handles, measured according to IEC 62841-1, m/s ² Equipped with edger blade (original), front/rear for lawn edger.	1.3 / 1.2	1.6 / 1.8

Approved batteries

Battery	BLi300	40-B330X
Type	Lithium-ion	Lithium-ion
Battery capacity, Ah	9.4	9
Nominal voltage, V	36	36
Weight, kg (lb)	1.9 (4.2)	2 (4.4)

Approved battery chargers

Battery charger	QC500
Input voltage, V	100-240
Frequency, Hz	50-60
Power, W	500

¹ Reported data for sound pressure level for the machine has a typical statistical dispersion (standard deviation) of 3 dB (A) and has been measured with the original attachment that gives the highest level.

² Reported data for equivalent sound pressure level for the product has a typical statistical dispersion (standard deviation) of 3 dB (A).

³ Reported data for vibration level has a typical statistical dispersion (standard deviation) of 2 m/s². For comparison of vibration levels, battery and combustion products use vibration calculator. <https://www.husqvarna.com/uk/services-solutions/vibration-calculator/>.

Accessories

Approved accessories

Approved accessories	Type	Cutting attachment guard, Art. no.
Edger blade	2T (195 mm)	596 99 99-01

Registered trademarks

The *Bluetooth*[®] word mark and logos are registered trademarks owned by *Bluetooth SIG, inc.* and any use of such marks by Husqvarna is under license.

Supplier's Declaration of Conformity

Supplier's Declaration of Conformity

525iECS, 525iES

Responsible Party

Husqvarna Consumer Outdoor Products N.A., Inc 8825
Statesville Road, Charlotte, NC 28269

USA Tel: +1 704 597 5000

www.husqvarna.com/us/support/e-mail/

Contenido

Introducción.....	23	Transporte, almacenamiento y eliminación de residuos.....	41
Seguridad.....	26	Datos técnicos.....	42
Montaje.....	34	Accesorios.....	43
Funcionamiento.....	36	Marcas comerciales.....	43
Mantenimiento.....	39	Declaración de conformidad del proveedor.....	44
Solución de problemas.....	41		

Introducción

Descripción del producto

Husqvarna 525iECS, 525iES es una cortadora de bordes accionada por baterías con un motor eléctrico.

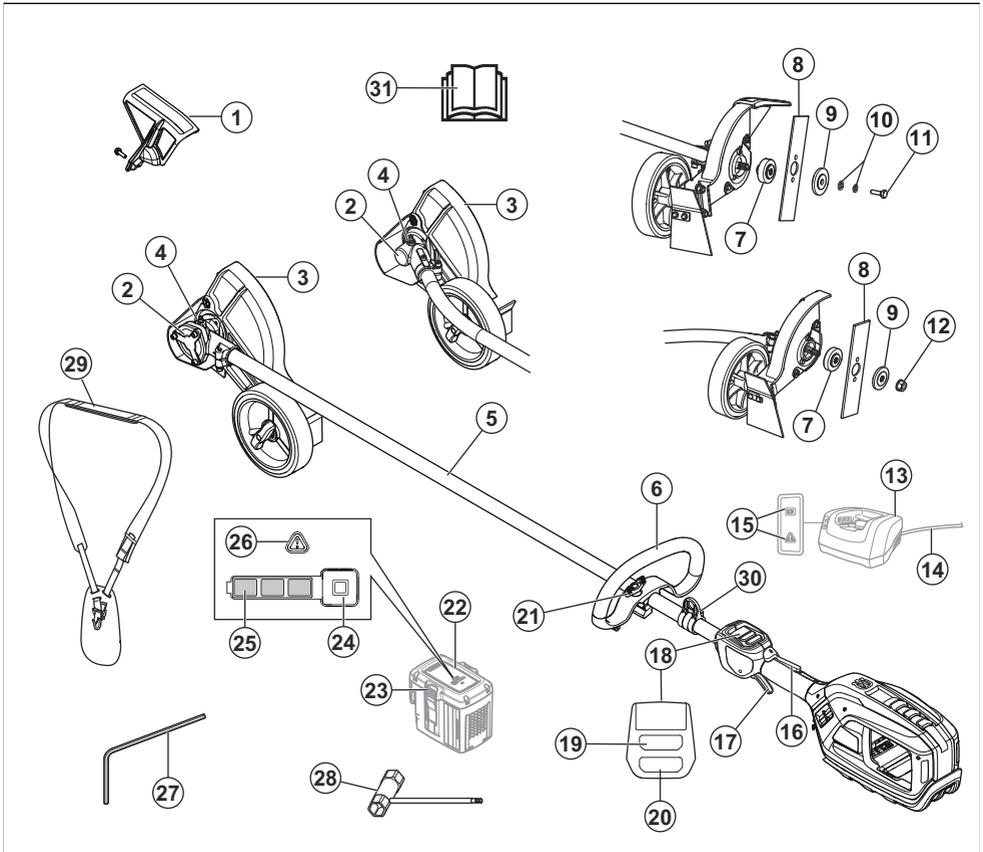
Se realiza un trabajo constante para aumentar su seguridad y la eficiencia durante la operación. Póngase en contacto con su taller de servicio para obtener más información.

Uso previsto

El producto se utiliza para cortar los bordes del césped. No utilice el producto para otras tareas que no sea la de cortabordes.

Tenga en cuenta: Las normativas nacionales pueden establecer un límite para el funcionamiento del producto.

Descripción general del producto



1. Protección delantera
2. Engranaje angulado
3. Protección del equipo de corte
4. Tapón de llenado de grasa, engranaje angulado
5. Eje
6. Mango cerrado
7. Disco de arrastre
8. Cuchilla
9. Brida de apoyo
10. Arandelas
11. Tornillo de bloqueo
12. Contratuerca
13. Cargador
14. Cable del cargador
15. Indicador de encendido y de advertencia (LED)
16. Bloqueo del gatillo de alimentación
17. Gatillo de alimentación
18. Interfaz de usuario

19. Botón Start/Stop
20. Botón de modo de velocidad
21. Perilla
22. Batería
23. Botones de liberación de la batería
24. Botón del indicador de batería
25. Estado de la batería
26. Indicador de advertencia
27. Llave hexagonal de 4 mm
28. Herramienta combinada
29. Arnés
30. Gancho de sujeción del arnés
31. Manual del usuario

Símbolos en el producto



ADVERTENCIA: Este producto puede ser peligroso y provocar daños graves o fatales al operador o a otras personas. Tenga cuidado y utilice el producto correctamente.



Lea atentamente el manual de instrucciones y asegúrese de que entiende las instrucciones antes de usar el producto.



Use protección auricular aprobada. Use protección ocular aprobada.



Use guantes protectores homologados.



Use botas antideslizantes de servicio pesado.



Régimen máximo del eje de salida.

IPX4

Protegido contra salpicaduras de agua.



Tenga cuidado con los objetos que puedan salir despedidos o producir algún impacto por efectos de rebote.



Advertencia de hoja giratoria. Mantenga las manos y los pies alejados.



¡Advertencia! La hoja continúa girando, incluso después de detener el motor. Cuando el motor se ha detenido, deje que la hoja se ponga en contacto con el suelo para detener los giros.



Desconecte la batería antes de realizar el mantenimiento.



Corriente continua.



Manténgase a un mínimo de 15 m de distancia de las personas y de los animales mientras funcione el producto.



Si el producto cuenta con tecnología inalámbrica *Bluetooth*®. El símbolo *Bluetooth*® estará en la etiqueta del nombre del producto.

aaaaassxxxx

La placa de características o la impresión láser muestra el número de serie. **yyyy** es el año de producción y **ww** es la semana de producción.

Tenga en cuenta: Otros símbolos o etiquetas del producto hacen referencia a requisitos de certificación para otras zonas comerciales.

Propuesta 65 de California



Daños en el producto

No somos responsables de los daños a nuestro producto en los siguientes casos:

- el producto se repara incorrectamente
- el producto se repara con piezas que no son del fabricante o que este no autoriza
- el producto tiene un accesorio que no es del fabricante o que este no autoriza
- el producto no se repara en un centro de servicio autorizado o por una autoridad aprobada.

Definiciones de seguridad

Las advertencias, precauciones y notas se utilizan para señalar las piezas particularmente importantes del manual.



ADVERTENCIA: Se utilizan para señalar el riesgo de lesiones graves o mortales para el operador o para aquellos que se encuentren cerca si no se siguen las instrucciones del manual.



AVISO: Se utilizan para señalar el riesgo de dañar la máquina, otros materiales o el área adyacente si no se siguen las instrucciones del manual.

Tenga en cuenta: Se utilizan para entregar más información necesaria en situaciones particulares.

Advertencias generales de seguridad de la máquina



ADVERTENCIA: Lea todas las advertencias de seguridad y todas las instrucciones. En caso de no seguir las advertencias ni las instrucciones se pueden producir sacudidas eléctricas, incendios o daños graves.

Guarde todas las advertencias e instrucciones para futuras referencias. En las advertencias, el término "máquina" se refiere a la máquina eléctrica (con cable) o a la máquina con batería (inalámbrica).

Para comprobar antes de poner en marcha

- Siempre retire la batería para evitar que el producto se encienda por accidente. Siempre retire la batería antes de realizar cualquier mantenimiento al producto.
- Antes de utilizar el producto y después de cualquier impacto, revíselo en busca de desgaste o daños y repare los componentes según sea necesario.
- Inspeccione la zona de trabajo. Quite todos los objetos sueltos, como piedras, vidrios rotos, clavos, alambres de acero, cuerdas, etc., que puedan salir disparados o se puedan enredar en la cortadora o la protección de la cortadora.
- Revise el motor en busca de suciedad y grietas. Limpie los restos de hierba y de hojas que se encuentren en el motor con un cepillo. Se deben utilizar guantes cuando sea necesario.
- Compruebe que el disco de corte esté completamente conectado a la rebordadora.

- Verifique que el producto se encuentra en perfectas condiciones de funcionamiento. Verifique que todas las tuercas y tornillos estén firmes.
- Compruebe que el disco de corte y la protección de corte no estén agrietados o dañados. Reemplace el disco de corte o la protección de corte si se han expuesto a algún golpe o tienen alguna grieta. Siempre utilice la protección recomendada para el equipo de corte correspondiente. Consulte el capítulo sobre datos técnicos.
- El operador del producto se debe asegurar de que ninguna persona o animal se acerque a menos de 15 metros mientras trabaja. Cuando haya varios usuarios trabajando en el mismo lugar, la distancia de seguridad debe ser de al menos 15 metros.
- Realice una inspección general del producto antes de utilizar. Consulte el programa de mantenimiento.
- El uso puede estar regulado por reglamentos nacionales o locales. Cumpla con las normas indicadas.

Seguridad en el área de trabajo

- **Mantenga el área de trabajo limpia y bien iluminada.** Las áreas desordenadas u oscuras propician los accidentes.
- **No opere la máquina en atmósferas explosivas, como ante la presencia de gases, polvo o líquidos inflamables.** Las máquinas generan chispas que pueden encender el polvo o los vapores.
- **Mantenga a los niños y los transeúntes alejados mientras opera una máquina.** Las distracciones pueden hacerle perder el control.

Seguridad eléctrica

- **Los enchufes de la máquina deben coincidir con la toma de corriente. Nunca modifique el enchufe de ninguna forma. No utilice enchufes con adaptador con máquinas conectadas a tierra.** Los enchufes sin modificaciones y las tomas correspondientes reducen el riesgo de descarga eléctrica.
- **Evite el contacto corporal con superficies conectadas a tierra, como tuberías, radiadores, estufas y refrigeradores.** Existe un mayor riesgo de descarga eléctrica si su cuerpo está conectado a tierra.
- **No exponga las máquinas a la lluvia o a condiciones húmedas.** Si entra agua en una máquina, aumenta el riesgo de descarga eléctrica.
- **No haga mal uso del cable. Nunca utilice el cable para transportar, tirar o desconectar la máquina. Mantenga el cable alejado del calor, el aceite, los bordes afilados o las piezas en movimiento.** Los cables dañados o enredados aumentan el riesgo de sacudida eléctrica.
- **Cuando opere una máquina en exteriores, utilice un cable de extensión apto para el uso al aire libre.** La

utilización de un cable apto para el uso al aire libre reduce el riesgo de sacudida eléctrica.

- **Si no se puede evitar el uso de una máquina en un lugar húmedo, utilice un interruptor diferencial (RCD, del inglés "Residual Current Device") protegido.** El uso de un RCD reduce el riesgo de que se produzcan sacudidas eléctricas.

Seguridad personal

- **Permanezca alerta, mire lo que está haciendo y use el sentido común cuando opere una máquina. No utilice una máquina si está cansado o bajo la influencia de drogas, alcohol o medicamentos.** Un momento de distracción durante el uso de las máquinas puede generar lesiones personales graves.
- **Utilice el equipo de protección personal. Siempre utilice protección ocular.** El equipo de protección (como máscara contra polvo, calzado de seguridad antideslizante, casco o protectores auriculares) que se utiliza en condiciones pertinentes reducirá los daños personales.
- **Evite el arranque accidental. Asegúrese de que el interruptor esté en la posición de APAGADO antes de conectar la herramienta a una fuente de energía o insertar una batería, así como cuando recoja o transporte la herramienta.** Si transporta máquinas con su dedo en el interruptor o si les suministra corriente con el interruptor en la posición de encendido puede provocar accidentes.
- **Quite cualquier llave de ajuste antes de encender la máquina.** Una llave conectada a una pieza giratoria de la máquina puede causar daños personales.
- **No se estire demasiado. Mantenga una posición y un equilibrio adecuados en todo momento.** Esto permite un mejor control de la máquina en situaciones inesperadas.
- **Vístase adecuadamente. No use ropa suelta ni joyas. Mantenga el pelo y la ropa lejos de las piezas en movimiento.** La ropa suelta, las joyas o el cabello largo pueden quedar atrapados en las partes que se mueven.
- **Si se proporcionan dispositivos para la conexión de instalaciones de recolección y extracción de polvo, asegúrese de que estos se conecten y utilicen de manera pertinente.** El uso de recolectores de polvo puede reducir los peligros relacionados con el polvo.
- **No se confíe de los conocimientos obtenidos a partir del uso frecuente de las herramientas ni pase por alto los principios de seguridad de uso de las herramientas.** Una acción negligente puede causar una lesión grave en una fracción de segundo.
- La emisión de vibración durante el uso de la máquina puede ser diferente del valor total indicado en función de la forma en que se utilice la herramienta. El usuario debe conocer las medidas de seguridad para protegerse a sí mismo, las que se basan en una estimación de la exposición en condiciones de uso reales (teniendo en cuenta todas las partes del ciclo de funcionamiento, como

el período en que la herramienta está apagada y cuando esté funcionando en ralentí además del gatillo).

Uso y cuidado de la máquina

- **No fuerce la máquina. Utilice la máquina correcta para su aplicación.** Tener la máquina correcta permitirá que el trabajo sea mejor y más seguro si se usa a la velocidad para la que fue diseñada.
- **No utilice la máquina si no se puede encender ni apagar con el interruptor.** Cualquier máquina que no se pueda controlar con el interruptor conlleva peligros y se debe reparar.
- **Desconecte el enchufe de la fuente de alimentación o retire la unidad de batería, si es desmontable, de la máquina antes de hacer ajustes, cambiar accesorios o almacenar la máquina.** Tales medidas de seguridad preventivas reducen el riesgo de arranque accidental de la máquina.
- **Almacene las máquinas inactivas fuera del alcance de los niños y no permita que personas que no estén familiarizadas con las máquinas o con estas instrucciones operen las máquinas.** Las máquinas pueden ser peligrosas en manos de usuarios inexpertos.
- **Realice el mantenimiento de las máquinas y los accesorios. Revise en busca de atascamiento o desalineación de las piezas móviles, rotura de piezas y cualquier otra condición que pueda afectar el funcionamiento de la máquina. Si está dañada, solicite la reparación de la máquina antes de usarla.** Muchos de los accidentes se deben a máquinas con un mal mantenimiento.
- **Mantenga las herramientas de corte afiladas y limpias.** Las herramientas de corte con un mantenimiento correcto y bordes cortantes afilados son menos propensas a atascamientos y más fáciles de controlar.
- **Utilice la máquina, los accesorios, las barrenas, etc., de acuerdo con estas instrucciones, conforme a las condiciones de trabajo y la tarea que se debe realizar.** El uso de la máquina en operaciones distintas de las previstas podría generar una situación peligrosa.
- **Mantenga los mangos y las superficies de agarre secos, limpios y sin grasa ni aceite.** Los mangos y las superficies de agarre resbaladizas no permiten un manejo seguro ni el control de la herramienta en situaciones imprevistas.

Uso y cuidado de la herramienta alimentada por batería

- **Recargue únicamente con el cargador especificado por el fabricante.** Un cargador apto para un tipo de unidad de batería puede implicar riesgo de incendio si se usa con otra unidad de batería distinta.
- **Utilice los productos únicamente con las unidades de batería diseñadas específicamente para ellos.** El uso de otras baterías puede implicar riesgo de lesiones e incendio.

- Cuando la unidad de batería no esté en uso, manténgala alejada de otros objetos metálicos, como sujetapapeles, monedas, llaves, clavos, tornillos u otros objetos metálicos pequeños que puedan provocar una conexión entre los terminales. Si hace un puente entre los terminales de la batería, puede causar quemaduras o un incendio.
- En condiciones extremas, la batería puede expulsar líquido; evite el contacto. Si se produjera un contacto accidentalmente, enjuáguese con agua. Si el líquido entra en contacto con los ojos, además, acuda a un médico. El líquido expulsado de la batería puede causar irritaciones o quemaduras.
- No utilice una unidad de batería ni una herramienta dañada o modificada. Las baterías dañadas o modificadas pueden presentar un comportamiento impredecible que puede ocasionar incendios, explosiones o riesgo de lesiones.
- No exponga una unidad de batería ni una herramienta al fuego o una temperatura excesiva. La exposición al fuego o una temperatura superior a puede causar una explosión.
- Siga todas las instrucciones de carga y no cargue la batería ni la herramienta en condiciones que superen el rango de temperatura especificado en las instrucciones. De lo contrario, podría dañar la batería y aumentar el riesgo de incendio.

Servicio

- Solicite el mantenimiento de la máquina a un técnico calificado que utilice solo repuestos idénticos. Esto garantizará la seguridad de la máquina que recibe mantenimiento.
- Nunca realice servicio a unidades de baterías dañadas. Solo el fabricante o los proveedores de servicios autorizados deben realizar el servicio de las unidades de batería.

Advertencias de seguridad de la recortadora de césped y de la recortadora de bordes del césped

- No utilice la máquina en condiciones meteorológicas adversas, especialmente cuando haya pronóstico de tormentas eléctricas. Esto disminuye el riesgo de ser alcanzado por un rayo.
- Inspeccione minuciosamente la zona en la que se va a utilizar la máquina en busca de fauna. La máquina puede lesionar a la fauna durante su funcionamiento.
- Inspeccione minuciosamente el área donde se va a utilizar la máquina y retire todas las piedras, palos, cables, huesos y otros objetos extraños. Los objetos despedidos pueden causar daños personales.
- Antes de utilizar la máquina, inspeccione siempre visualmente para ver si la cortadora y el conjunto de la cortadora no están dañados. Las piezas dañadas aumentan el riesgo de lesiones.
- Antes de utilizarlo, compruebe que el cable de alimentación y cualquier cable de extensión no

presentan signos de daño o envejecimiento. No utilice la máquina si el cable está dañado o desgastado. Si el cable está dañado o desgastado durante el uso, apague la máquina y no toque el cable antes de desconectarlo de la alimentación.

Un cable de alimentación o un cable de extensión dañados pueden provocar una descarga eléctrica, un incendio o lesiones graves.

- Mantenga las protecciones en su lugar. Las protecciones deben estar en buenas condiciones de funcionamiento y deben estar montadas correctamente. Una protección suelta, dañada o que no funcione correctamente puede provocar lesiones personales.
- Mantenga todas las entradas de aire de refrigeración libres de residuos. Las entradas de aire obstruidas y los residuos pueden provocar un sobrecalentamiento o riesgo de incendio.
- Utilice protección ocular y auditiva. Un equipo de protección adecuado reducirá las lesiones personales.
- Mientras opere la máquina, utilice siempre calzado antideslizante y de protección. No haga funcionar la máquina descalzo o con sandalias abiertas. Esto reduce la posibilidad de que los pies sufran lesiones por el contacto con la cortadora en movimiento.
- Utilice siempre ropa como pantalones que cubran las piernas del operador mientras opera la máquina. El contacto con la cortadora o el hilo en movimiento puede causar lesiones.
- Mantenga alejados a los transeúntes mientras maneja la máquina. Los residuos lanzados pueden provocar daños personales.
- No opere la máquina por encima de la altura de la cintura. De esta manera, podrá evitar el contacto accidental con la cortadora y permitir un mejor control de la máquina en situaciones inesperadas.
- Tenga cuidado cuando opere la máquina en hierba húmeda. Camine, nunca corra. De este modo, se reduce el riesgo de resbalones y caídas que pueden provocar lesiones personales.
- No utilice la máquina en pendientes excesivamente pronunciadas. Esto reduce el riesgo de pérdida de control, resbalones y caídas que pueden provocar lesiones personales.
- Cuando trabaje en pendientes, asegúrese siempre de pisar bien, trabaje siempre en superficies en pendiente, nunca hacia arriba o hacia abajo y tenga mucho cuidado cuando cambie de dirección. Esto reduce el riesgo de pérdida de control, resbalones y caídas que pueden provocar lesiones personales.
- Mantenga todos los hilos y cables de alimentación alejados de la zona de corte. Los hilos o cables de alimentación pueden quedar ocultos en los arbustos o setos y la cortadora o el hilo los pueden cortar o dañar accidentalmente.
- Mantenga todas las partes del cuerpo lejos de la cortadora o el hilo de la recortadora. No retire el material de la máquina hasta que se desconecte de la fuente de alimentación. La cortadora o el hilo

de la recortadora en movimiento pueden provocar lesiones personales graves.

- **Transporte la máquina cuando esté apagada y lejos de su cuerpo.** El manejo adecuado de la máquina reducirá la probabilidad de contacto accidental con una cortadora o hilo de la recortadora en movimiento.
- **Utilice únicamente los cabezales de corte y las cortadoras o los hilos de la recortadora de repuesto que especifique el fabricante. No reemplace las cortadoras ni los hilos de la recortadora con cables o cuchillas de metal.** Las piezas de repuesto incorrectas pueden causar la pérdida de control, roturas y lesiones.

Utilice siempre el sentido común

No es posible abordar todas las situaciones posibles que puede afrontar. Siempre tenga cuidado y use su sentido común. Evite todas las situaciones que considere que están más allá de su capacidad. Si todavía se siente inseguro acerca de los procedimientos operativos después de leer estas instrucciones, debería consultar a un experto antes de continuar.



ADVERTENCIA: Nunca permita que los niños utilicen la máquina o que estén cerca de esta. Ya que la máquina es fácil de encender, los niños podrían hacerlo si no se les vigila por completo. Esto puede significar riesgo de daños personales graves. Por lo tanto, desconecte la batería cuando la máquina no cuente con la supervisión adecuada.

Instrucciones generales de seguridad



ADVERTENCIA: Lea atentamente las instrucciones de advertencia siguientes antes de usar el producto.

- Retire la batería para evitar que el producto se encienda por accidente.
- Este producto puede ser una herramienta peligrosa si no se maneja con cuidado o si utiliza el producto de forma incorrecta. Este producto puede causar daños graves o fatales al operador o a otras personas.
- No utilice el producto si cambia su especificación inicial. No cambie una parte del producto sin la aprobación del fabricante. Utilice solamente las piezas que están aprobadas por el fabricante. Las lesiones graves o fatales son un posible resultado de un mantenimiento incorrecto.
- Revise el producto antes de utilizarlo. Consulte *Para comprobar antes de poner en marcha en la página 26* y *Antes de usar el producto en la página 36*. No utilice un producto que esté dañado o que no funcione correctamente. Realice los controles de

seguridad, el mantenimiento y las instrucciones de servicio descritos en este manual.

- Se debe supervisar a los niños para asegurarse de que no jueguen con el aparato. Nunca permita que los niños u otras personas no capacitadas para el uso del producto o la batería usen o revisen la máquina. Las leyes locales pueden regular la edad del usuario.
- Mantenga el producto en un área cerrada para evitar que los niños u otras personas sin autorización puedan acceder a él.
- Almacene el producto fuera del alcance de los niños.
- Bajo ninguna circunstancia se puede modificar el diseño del producto sin autorización del fabricante. Siempre utilice accesorios originales. Las modificaciones o los accesorios no autorizados pueden provocar daños personales graves o fatales para el operador u otras personas.

Tenga en cuenta: El uso puede estar regulado por legislaciones nacionales o locales. Cumpla con las normas indicadas.

Instrucciones de seguridad para el funcionamiento



ADVERTENCIA: Lea las siguientes instrucciones de seguridad antes de usar el producto.

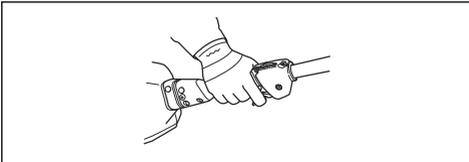
- Nunca permita que los niños utilicen este producto.
- Nunca permita que otras personas utilicen el producto sin asegurarse primero de que hayan comprendido el contenido del manual del usuario.
- Asegúrese de que las personas no autorizadas se mantengan a una distancia adecuada. Los niños, animales, observadores y ayudantes deben mantenerse fuera de la zona de seguridad de 15 metros (50 pies) durante el trabajo. Detenga el producto de inmediato si alguien se acerca.
- Cerciórese de que puede caminar y mantenerse de pie con seguridad. Revise el área a su alrededor para detectar posibles obstáculos (raíces, piedras, ramas, zanjas, etc.) en caso de que tenga que moverse repentinamente. Tenga sumo cuidado al trabajar en terreno inclinado.



- Inspeccione la zona de trabajo. Quite todos los objetos sueltos, como piedras, cristales rotos,

clavos, alambres de acero, cuerdas, etc., que puedan ser lanzados o enredarse en la cortadora o la protección de la cortadora.

- Esté atento a que no salgan objetos despedidos. Use siempre protección ocular homologada. No se apoye nunca sobre la protección del equipo de corte. Es posible que las piedras, residuos, etc. salgan despedidos en dirección a los ojos y le causen ceguera o lesiones graves.
- No utilice la máquina en condiciones climáticas desfavorables, como nieblas densas, lluvias abundantes, vientos fuertes, fríos intensos, etc.
- No utilice el producto a menos que sea capaz de pedir ayuda en caso de accidente.
- El producto debe estar siempre desactivado antes de moverlo.
- Nunca deje el producto en el suelo sin desactivarlo, a menos que lo tenga a la vista.
- Utilice siempre las dos manos para sostener el producto. Mantenga el producto al lado de su cuerpo.
- Utilice la mano derecha para controlar el gatillo de alimentación.



- Preste atención a las señales de advertencia o gritos cuando utilice protectores auriculares. Siempre retire sus protectores auriculares apenas se detenga el motor.
- Asegúrese de que las manos y los pies no se acerquen al equipo de corte cuando el motor esté funcionando.
- Cuando apague el motor, mantenga las manos y los pies alejados del equipo de corte hasta que se haya detenido completamente.
- Mantenga siempre la cortadora cerca del suelo.
- Siempre realice el bordeado con el gatillo de alimentación a máxima velocidad.
- Tenga especial cuidado cuando jale la rebordeadora hacia su cuerpo durante el trabajo.
- Si se golpea algún objeto extraño o si se producen vibraciones, detenga la máquina de inmediato. Desactive el producto. Compruebe que el producto no esté dañado. Repare cualquier daño.
- A veces, la hierba o las piedras pueden quedar atrapadas en la cortadora y en la protección de la cortadora. Desactive siempre el producto y extraiga la batería antes de limpiarlo.

cuentan con una aprobación expresa de Husqvarna podrían anular la autorización de FCC para hacer funcionar el equipo.

Aviso: Este dispositivo cumple con la Parte 15 de las Reglas de la FCC y con la norma RSS exenta de licencia de Innovación, Ciencia y Desarrollo Económico de Canadá. El funcionamiento está sujeto a las siguientes dos condiciones:

- Este dispositivo no puede causar interferencias perjudiciales.
- Este dispositivo debe aceptar cualquier interferencia que se reciba, incluida la interferencia que pueda causar una operación no deseada.

Nota: Este equipo se probó y se comprobó que cumple con los límites para un dispositivo digital de Clase B, de acuerdo con la Parte 15 de las reglas de FCC. Estos límites están diseñados para proporcionar una protección razonable contra interferencias perjudiciales en una instalación residencial. Este equipo genera, utiliza y puede irradiar energía de radiofrecuencia y, si no se instala ni se utiliza según las instrucciones, puede causar interferencias perjudiciales para las radiocomunicaciones. Sin embargo, no hay garantía de que no se producirán interferencias en una instalación particular. Si este equipo causa una interferencia perjudicial a la recepción de radio o televisión, lo que se puede determinar apagando o encendiendo el equipo, se aconseja al usuario que trate de corregir las interferencias mediante una de las siguientes medidas:

- Reoriente o reubique la antena receptora.
- Aumente la separación entre el equipo y el receptor.
- Conecte el equipo a una toma de un circuito diferente del que está conectado el receptor.
- Consulte a un distribuidor o técnico de radio o televisión experimentado para obtener ayuda.

Este producto cumple con las especificaciones técnicas aplicables de Innovación, Ciencia y Desarrollo Económico de Canadá.

Le présent produit est conforme aux spécifications techniques applicables d'Innovation, Sciences et Développement économique Canada.

Le présent appareil est conforme aux CNR d'Innovation, Sciences et Développement économique Canada applicables aux appareils radio exempts de licence. L'exploitation est autorisée aux deux conditions suivantes:

- l'appareil ne doit pas produire de brouillage, et
- l'appareil doit accepter tout brouillage radioélectrique subi, même si le brouillage est susceptible d'en compromettre le fonctionnement.

Declaración de conformidad del proveedor para Husqvarna525IECS, 525IES

Parte responsable

Husqvarna Professional Product, Inc.

Bluetooth®



AVISO: Los cambios o las modificaciones realizados al equipo que no

Equipo de protección personal



ADVERTENCIA: Lea atentamente las instrucciones de advertencia siguientes antes de usar el producto.

- Utilice siempre el equipo de protección personal adecuado cuando use el producto. El equipo de protección personal no puede impedir el riesgo de lesiones, pero disminuirá el grado de lesión si ocurre un accidente. Permita que su concesionario lo ayude a seleccionar el equipo adecuado.
- Utilice un casco protector cuando exista el riesgo de caída de objetos.
- Utilice protectores auriculares aprobados que proporcionen una reducción de ruido adecuada. La exposición prolongada al ruido puede causar la pérdida permanente de la audición.
- Use protección ocular homologada. Si utiliza un visor, también debe usar gafas protectoras homologadas. Las gafas protectoras homologadas deben cumplir con la norma ANSI Z87.1 de EE. UU. o EN 166 para países de la UE.
- Utilice un visor para proteger el rostro. El visor no es suficiente para proteger los ojos.



- Utilice guantes cuando sea necesario, por ejemplo, cuando conecte, examine o limpie el equipo de corte.
- Utilice botas resistentes antideslizantes.
- Utilice ropa de material resistente. Use siempre pantalones largos y gruesos, y mangas largas. Evite usar ropas holgadas que se puedan enganchar con ramas. No trabaje con joyas, pantalones cortos, sandalias ni con los pies descalzos. Asegure su cabello por encima del nivel de los hombros.



- Mantenga un equipo de primeros auxilios a mano.



Dispositivos de seguridad en el producto



ADVERTENCIA: Lea atentamente las instrucciones de advertencia siguientes antes de usar el producto.

En esta sección se describen las características de seguridad del producto y su propósito, y cómo deben llevarse a cabo las comprobaciones y el mantenimiento para asegurarse de que funciona correctamente. Consulte las instrucciones bajo el título *Introducción en la página 23* para saber dónde se encuentran estas piezas en el producto.

La vida útil del producto se puede reducir y el riesgo de accidentes puede aumentar si el mantenimiento del producto no se realiza correctamente y si el servicio o las reparaciones no se llevan a cabo de forma profesional. Si necesita más información, comuníquese con su taller de servicio más cercano.



ADVERTENCIA: No utilice nunca un producto con componentes de seguridad dañados. El equipo de seguridad del producto se debe inspeccionar y mantener tal como se describe en esta sección. Si el producto no pasa exitosamente alguna de estas comprobaciones, póngase en contacto con el taller de servicio para que lo reparen.

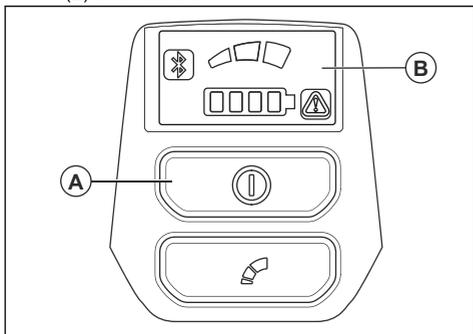


AVISO: Todos los trabajos de servicio y reparación de la máquina requieren una formación especial. Esto aplica especialmente al equipo de seguridad. Si la máquina no pasa exitosamente alguna de las comprobaciones indicadas a continuación, póngase en contacto con el taller de servicio. La compra de alguno de nuestros productos le garantiza la disponibilidad de mantenimiento y servicio profesionales. Si el comerciante que vende la máquina no es un concesionario de servicio, pídale la dirección del taller de servicio más cercano.

Para comprobar la interfaz de usuario

1. Mantenga presionado el botón Start/Stop (A).

- a) El producto se enciende cuando la pantalla LED (B) se enciende.

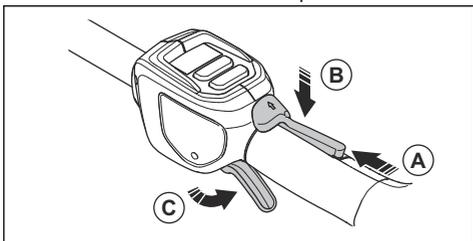


- b) El producto se apaga cuando la pantalla se apaga.

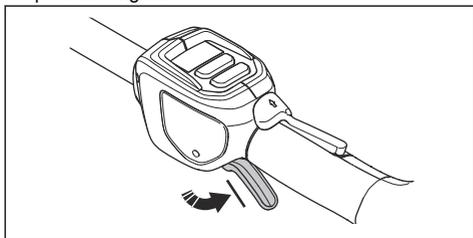
2. Si el indicador de advertencia de la pantalla se enciende o parpadea, consulte *Solución de problemas en la página 41*.

Comprobación del bloqueo del gatillo de alimentación

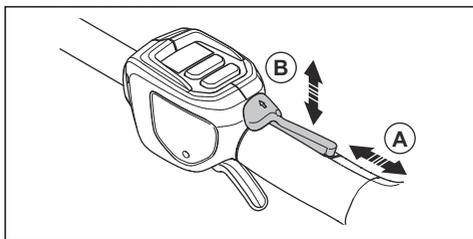
El bloqueo del gatillo de alimentación está diseñado para impedir la activación involuntaria. Si presiona el bloqueo del gatillo de alimentación hacia delante (A) y, luego, presiona el bloqueo del gatillo de alimentación contra el mango (B), el gatillo de alimentación (C) se suelta. Cuando suelte la manija, el gatillo de alimentación y el bloqueo del gatillo de alimentación volverán a sus posiciones iniciales. Este movimiento se controla mediante tres muelles independientes.



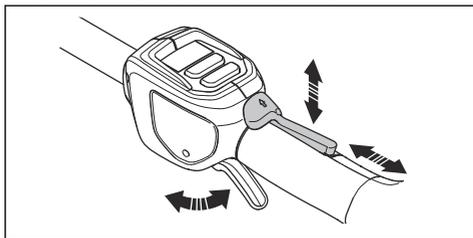
1. Asegúrese de que el gatillo de alimentación esté bloqueado cuando el bloqueo se encuentre en su posición original.



2. Presione el bloqueo del gatillo de alimentación hacia delante (A) y hacia abajo. Presione el bloqueo del gatillo de alimentación contra el mango (B) y asegúrese de que vuelva a su posición inicial cuando lo suelte.



3. Asegúrese de que el gatillo de alimentación y su bloqueo se muevan con facilidad y que los muelles de retorno funcionen correctamente.



4. Arranque el producto, consulte *Para poner en marcha el producto en la página 37*.
5. Presione completamente el gatillo de alimentación para aplicar la velocidad máxima.
6. Suelte el gatillo de alimentación y asegúrese de que el equipo de corte se detenga y permanezca inmóvil.

Comprobación de la protección del equipo de corte



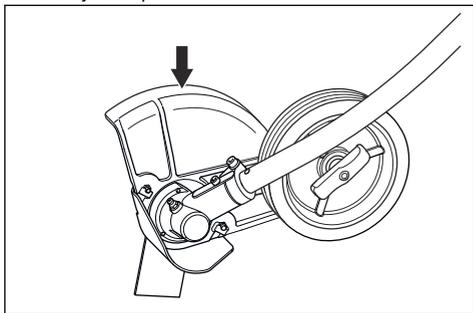
ADVERTENCIA: No utilice un equipo de corte sin una protección para equipo de corte aprobada y correctamente acoplada. Utilice siempre la protección recomendada para el equipo de corte correspondiente. Con fin de obtener más información, consulte *Accesorios en la página 43*. Un montaje incorrecto o defectuoso de la protección del equipo de corte puede provocar daños personales graves.



ADVERTENCIA: Asegúrese de que la protección delantera se encuentre instalada correctamente. Consulte *Para instalar la protección delantera en la página 35*.

La protección del equipo de corte evita que un objeto salga expulsado en dirección al operador. La protección del equipo de corte también evita lesiones que pueden producirse si toca el equipo de corte.

1. Desactive el producto.
2. Realice una inspección visual para ver si hay daños; por ejemplo, grietas, en la protección del equipo de corte y en la protección delantera.

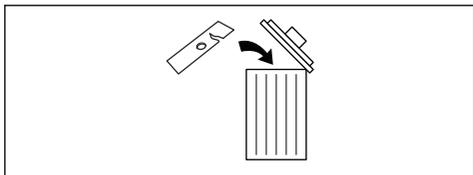


3. Reemplace la protección del equipo de corte si está dañada.

Para comprobar la cuchilla

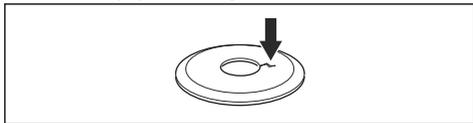
La cuchilla fue diseñada y fabricada para soportar las cargas que implica el bordeado de césped.

- Compruebe que la cuchilla no presente daños o grietas. Siempre debe reemplazar las cuchillas dañadas.



Para comprobar la brida de apoyo

- Compruebe que la brida de apoyo no tenga grietas debido a la fatiga o a un apriete excesivo. Elimine la brida de apoyo si tiene grietas.



Para comprobar la contratuerca



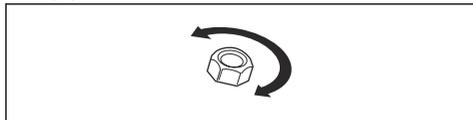
AVISO: El revestimiento de nailon dentro de la contratuerca no debe estar tan desgastado como para que se pueda girar a mano. El revestimiento debe tener una resistencia de al menos 1,5 Nm / 13 in-lb. La contratuerca se debe sustituir después de haberla apretado unas 10 veces.



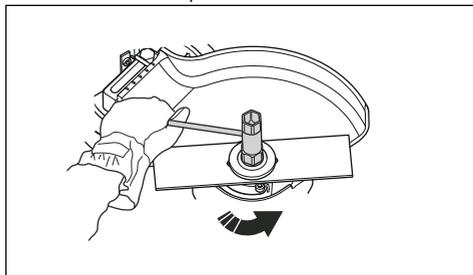
AVISO: La contratuerca tiene un enrosque hacia la izquierda. Apretar la contratuerca en exceso puede provocar daños a las roscas.

La contratuerca asegura el equipo de corte en el eje de salida. Proteja sus manos de lesiones durante el montaje, utilice la protección del equipo de corte para protegerse cuando apriete con una llave de cubo.

1. Cuando lleve a cabo el ajuste, apriete la contratuerca en el sentido contrario al sentido de rotación del equipo de corte. Para retirarlo, afloje la contratuerca en la misma dirección en la que gira el equipo de corte.



2. Apriete la contratuerca con una llave de cubo de 35 a 50 Nm / 26 a 37 pie-lb.



Equipo de corte

Seleccione el equipo de corte adecuado y realice su mantenimiento para:

- Obtener el máximo rendimiento de corte.
- Aumentar la vida útil del equipo de corte.



ADVERTENCIA: Utilice únicamente los accesorios de corte y las protecciones que recomienda Husqvarna. Consulte *Accesorios en la página 43*.



ADVERTENCIA: Un equipo de corte defectuoso puede aumentar el riesgo de accidentes.



ADVERTENCIA: Siempre detenga el motor antes de trabajar en el equipo de corte. Este continúa girando después de soltar el gatillo de alimentación. Asegúrese de que el equipo de corte esté completamente detenido y retire la batería antes de empezar a trabajar en él.



ADVERTENCIA: Siempre utilice guantes para trabajo pesado cuando coloque, examine o limpie el equipo de corte.

Instrucciones de seguridad para el mantenimiento



ADVERTENCIA: Lea atentamente las instrucciones de advertencia antes de realizar mantenimiento al producto.

- Retire la batería antes de hacer el mantenimiento, otras revisiones o el armado del producto.
- El operador solo debe hacer el mantenimiento y el servicio que se indica en el manual del usuario.

- Acuda a su concesionario de servicio cuando deba realizar mantenimiento y servicio a mayor escala.
- No limpie con agua la batería o el cargador de batería. Los detergentes fuertes pueden dañar el plástico.
- Si no realiza el mantenimiento, disminuye la vida útil del producto y aumenta el riesgo de accidentes.
- Se necesita capacitación especial para todos los trabajos de servicio y reparación, especialmente de los dispositivos de seguridad del producto. Si no se aprueban todas las comprobaciones establecidas en este manual del usuario después de realizar el mantenimiento, acuda al concesionario de servicio. Garantizamos que existen reparaciones y servicios profesionales disponibles para su producto.
- Solo utilice piezas de repuesto originales.

Montaje

Introducción

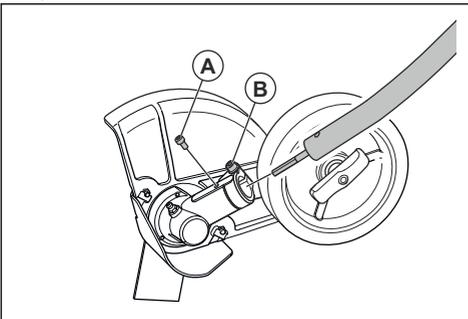


ADVERTENCIA: Asegúrese de leer y comprender el capítulo de seguridad antes de montar el producto.

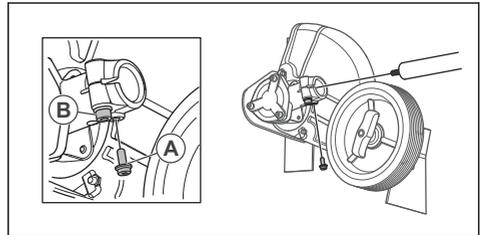
Para montar el engranaje angulado

1. Inserte el eje de transmisión en el compartimiento de la caja de cambios del engranaje angulado. Gire el equipo de corte para que el eje se acople en el engranaje angulado.
2. Conecte la caja del engranaje angulado al tubo del eje alineando el orificio de posicionamiento (525iECS) o la grieta de la soldadura del tubo del eje (525iES).
3. Apriete el tornillo (A) y el perno de la abrazadera (B) con firmeza entre 6-8 Nm/53-70 pulg.-lb.

a) Para el modelo 525iECS:



b) Para el modelo 525iES:



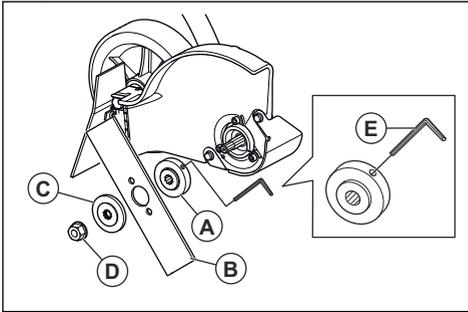
Para montar el equipo de corte



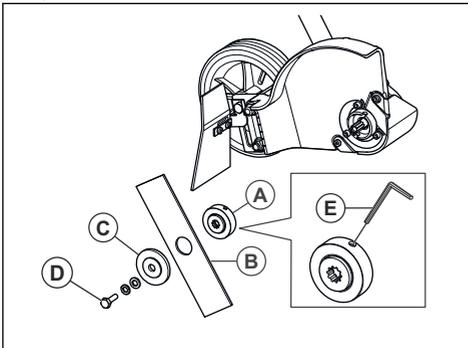
ADVERTENCIA: Nunca use un equipo de corte sin una protección del equipo de corte aprobada. Un montaje incorrecto o defectuoso de una protección para el equipo de corte puede provocar daños personales graves.

1. Ajuste el disco de arrastre (A) en el eje de salida. Asegúrese de que el borde del disco de arrastre, que encaja en el orificio de la cuchilla, quede hacia afuera.

a) Para el modelo 525iECS:



b) Para el modelo 525iES:



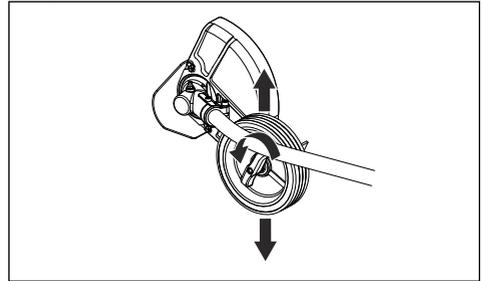
2. Para bloquear la rotación de la cuchilla, inserte la llave hexagonal (E) en el orificio del disco de arrastre.
3. Ajuste la hoja (B) en el disco de arrastre.
4. Ajuste la brida de apoyo (C). La brida de apoyo debe estar ajustada de modo que su borde exterior ejerza presión contra la cuchilla.
5. Ajuste la contratuerca/el perno de montaje de la hoja (D). La contratuerca/ el perno de montaje de la hoja tiene un enrosque hacia la izquierda. Apriete la contratuerca/el perno de montaje de la hoja a un par de 15-20 Nm/12-15 pies-lb.
6. Quite la llave hexagonal.

Para ajustar la profundidad de corte del equipo de corte

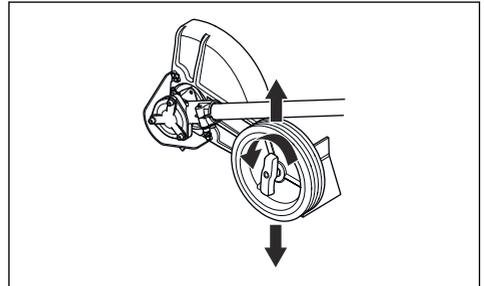
Antes de comenzar a trabajar, se debe ajustar la profundidad de corte del equipo de corte.

1. Afloje la tuerca de mariposa.

a) Para el modelo 525iECS:



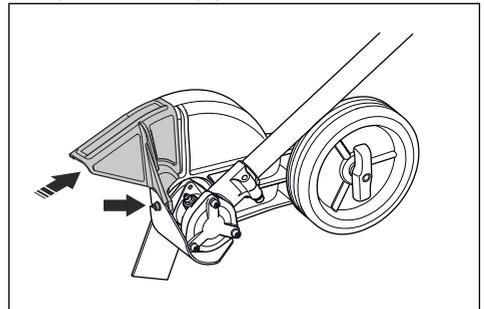
b) Para el modelo 525iES:



2. Ajuste la profundidad de corte deseada.
3. Apriete la tuerca de mariposa.

Para instalar la protección delantera

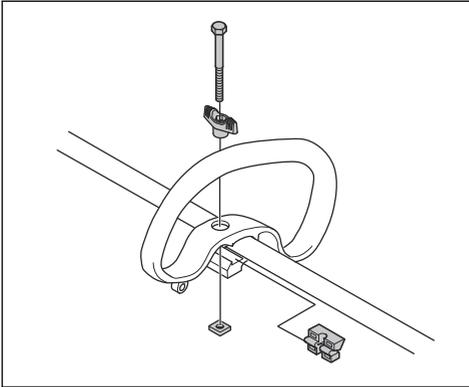
1. Instale la protección delantera en la parte frontal de la protección del equipo de corte.



2. Coloque y apriete el perno.

Conexión del mango cerrado

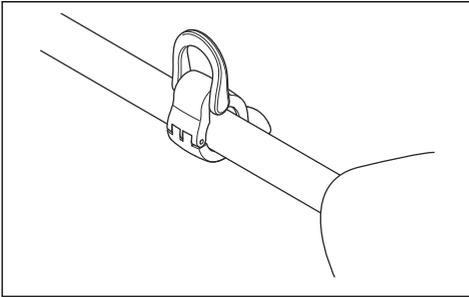
1. Conecte el mango cerrado al eje.



2. Mueva el separador en la ranura del mango cerrado.
3. Instale la tuerca, la perilla y el tornillo, pero no los apriete demasiado.
4. Ajuste el producto a una posición cómoda. Consulte *Para ajustar el mango cerrado en la página 37*.
5. Apriete el perno.

Para instalar el gancho de sujeción del arnés

1. Coloque el gancho de sujeción del arnés entre el mango cerrado y el mango del acelerador.



Tenga en cuenta: No coloque el gancho de sujeción en la etiqueta.

2. Ajuste el anillo para que el producto esté equilibrado y sea fácil de usar.

Para ajustar el arnés

1. Colóquese el arnés.
2. Fije el arnés al gancho de sujeción del arnés.
3. Ajuste la longitud del arnés hasta que el gancho de sujeción del arnés esté al nivel de su cadera derecha.

Información de la batería

Consulte el manual de usuario de la batería para obtener información sobre cómo utilizar la batería.

Funcionamiento

Introducción



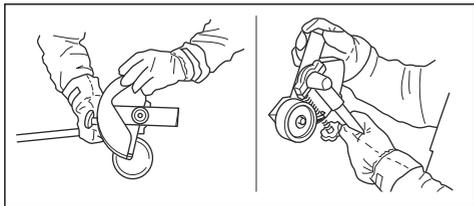
ADVERTENCIA: Asegúrese de leer y comprender el capítulo de seguridad antes de utilizar el producto.

Antes de usar el producto

- Examine la zona de trabajo para asegurarse de conocer el tipo de terreno. Examine la pendiente de

la tierra y observe si hay obstáculos como piedras, ramas y zanjas.

- Realice una inspección general del producto.
- Haga las inspecciones de seguridad, mantenimiento y servicio que figuran en este manual.
- Asegúrese de que todas las tuercas y todos los tornillos estén apretados.
- Asegúrese de que todas las cubiertas, las protecciones, los mangos y el equipo de corte estén fijados correctamente y que no presenten daños antes de arrancar el producto.

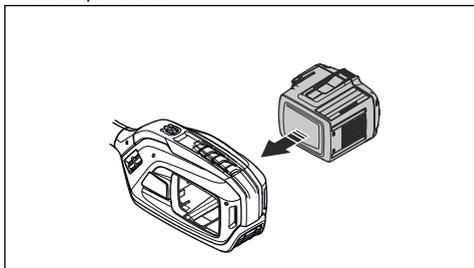


Para conectar la batería al producto



ADVERTENCIA: Utilice solo baterías originales Husqvarna en el producto.

1. Asegúrese de que la batería esté totalmente cargada.
2. Presione la batería en el compartimiento de batería del producto. Cuando escuche un clic, significará que la batería se encuentra fija en su posición correspondiente.



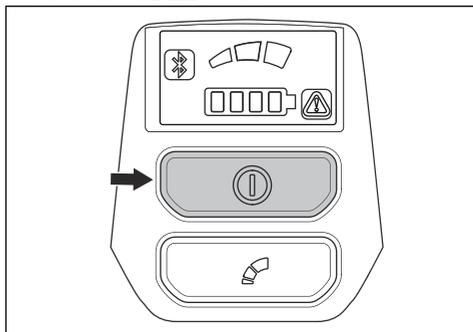
AVISO: Si la batería no se mueve con facilidad, la instalación de la batería no se realizó correctamente. Esto puede provocar daños al producto.

3. Asegúrese de que la batería esté correctamente instalada.

Para poner en marcha el producto

1. Coloque el producto en la posición de arranque.

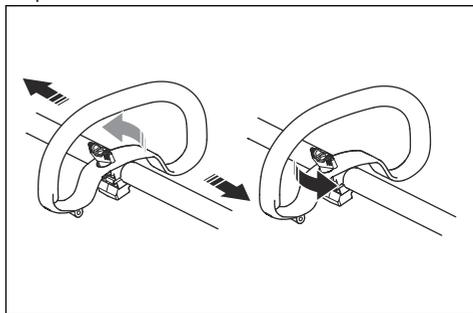
2. Mantenga presionado el botón Start hasta que se encienda la luz LED verde.



3. Utilice el gatillo de alimentación para controlar la velocidad.

Para ajustar el mango cerrado

1. Afloje la perilla y ajuste el mango cerrado a la posición adecuada.



Tenga en cuenta: Asegúrese de no colocar ni mover el mango cerrado en las etiquetas de advertencia del eje de dos piezas.

2. Apriete la perilla.

Función de apagado automático

El producto cuenta con una función de apagado que detiene el producto si no se utiliza. La luz LED verde que indica arranque/detención se apaga y el producto se apaga en 180 segundos.

Para hacer funcionar el producto

Para cortar el borde del césped



ADVERTENCIA: No retire el material de corte, ni deje que otras personas lo hagan, mientras el producto se encuentre encendido o el equipo de corte siga girando, ya que puede provocar lesiones graves.



ADVERTENCIA: Esté atento a que no salgan objetos despedidos. Use siempre protección ocular homologada. No se apoye nunca sobre la protección del equipo de corte. Es posible que piedras, residuos, etc., salgan disparados en dirección a los ojos lo que puede provocar ceguera o lesiones graves.



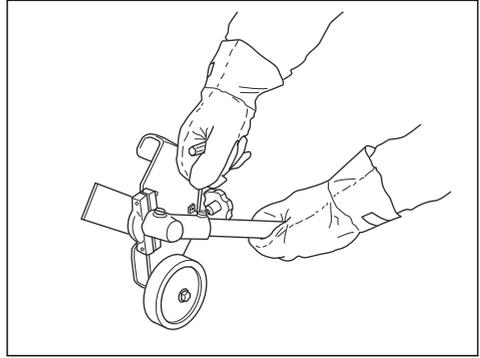
ADVERTENCIA: Asegúrese de que ninguna persona o animal se acerque a menos de 15 metros mientras trabaja. Cuando haya varios usuarios trabajando en el mismo lugar, la distancia de seguridad debe ser de al menos 15 metros. De lo contrario, existe el riesgo de daños personales graves. Detenga el producto de inmediato si alguien se acerca. Nunca balancee el producto sin mirar primero hacia atrás para asegurarse de que nadie se encuentre dentro de la zona de seguridad.

Asegúrese de tener una posición de trabajo segura y firme.



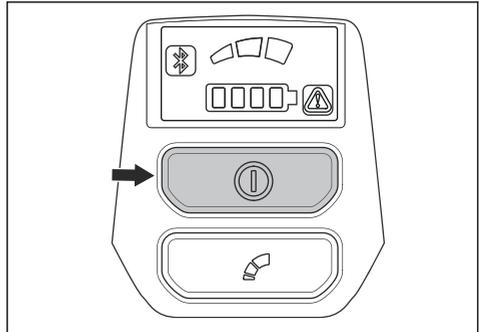
- Siempre sujete el producto con ambas manos. Mantenga el producto al lado derecho de su cuerpo.
- Utilice la mano derecha para controlar el gatillo de alimentación.
- Mantenga siempre la cuchilla cerca del suelo.
- Asegúrese de no acercar las manos ni los pies al equipo de corte cuando el motor esté funcionando.
- Cuando detenga el motor, mantenga las manos y los pies alejados del equipo de corte hasta que esté completamente detenido.
- Siempre se debe bordear con el gatillo de alimentación con potencia máxima.
- Camine lentamente.
- Asegúrese de que el material cortado se expulse a una zona que se haya cortado antes.
- Tenga especial cuidado cuando tire la rebordeadora hacia atrás durante el trabajo.
- Si se golpea algún objeto extraño o si se producen vibraciones, detenga la máquina de inmediato. Retire la batería del producto y compruebe que no esté dañado.

- Siempre utilice guantes para trabajo pesado cuando coloque, examine o limpie el equipo de corte.

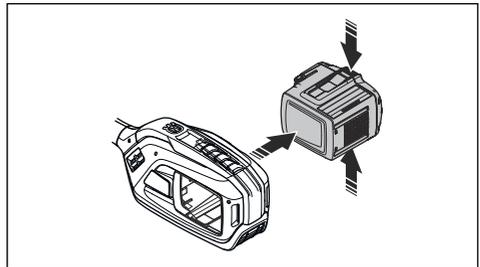


Para detener el producto

1. Suelte el gatillo de alimentación o el bloqueo del gatillo de alimentación.
2. Ponga el producto en la posición de detención.
3. Presione el botón Stop.



4. Presione los botones de liberación de la batería y retirela.



Husqvarna Fleet Services™

Husqvarna Fleet Services™ es una solución basada en la nube que proporciona una descripción general de todos los productos al administrador de flotas comerciales. También es posible que los administradores de flotas obtengan acceso remoto

a la información sobre el producto. Para obtener más información sobre Husqvarna Fleet Services™, consulte .

Tecnología inalámbrica Bluetooth®

Los productos con tecnología inalámbrica Bluetooth® integrada se pueden conectar a dispositivos móviles y habilitan funciones adicionales.

El símbolo de tecnología inalámbrica *Bluetooth®* se enciende cuando el dispositivo móvil está conectado al producto.



Conexión del producto con Husqvarna Fleet Services™

1. Descargue la aplicación Husqvarna Fleet Services™ en su dispositivo móvil.
2. Inicie sesión en la aplicación Husqvarna Fleet Services™.
3. Siga las instrucciones sobre cómo vincular el producto con Husqvarna Fleet Services™.

Mantenimiento

Introducción



ADVERTENCIA: Lea detenidamente el capítulo de seguridad antes de realizar mantenimiento en el producto.

La siguiente es una lista de pasos de mantenimiento que se deben realizar en el producto. Consulte *Mantenimiento en la página 39* para obtener más información.

Programa de mantenimiento



ADVERTENCIA: Retire la batería antes de realizar mantenimiento.

Mantenimiento	Diario	Una vez por semana	Una vez al mes
Limpie las piezas externas del producto con un paño seco. No utilice agua.	X		
Verifique que el botón de arranque y de detención funcione correctamente y no esté dañado.	X		
Asegúrese de que el gatillo de alimentación y el bloqueo del gatillo de alimentación funcionen correctamente en términos de seguridad.	X		
Asegúrese de que todos los controles funcionen y no estén dañados.	X		
Mantenga los mangos secos, limpios y sin grasa ni aceite.	X		
Asegúrese de que el equipo de corte no esté dañado. Reemplace el equipo de corte si está dañado.	X		
Asegúrese de que la protección del equipo de corte no esté dañada. Reemplace la protección del equipo de corte si está dañada.	X		
Asegúrese de que las tuercas y los tornillos estén apretados.	X		
Asegúrese de que los botones de liberación de la batería funcionen y que fijen la batería al producto.	X		
Asegúrese de que el cargador de la batería no esté dañado y funcione correctamente.	X		

Mantenimiento	Diario	Una vez por semana	Una vez al mes
Asegúrese de que la batería no esté dañada.	X		
Asegúrese de que la batería esté cargada.	X		
Asegúrese de que el cargador de la batería no esté dañado.	X		
Examine todos los cables, los acoplamientos y las conexiones. Asegúrese de que no estén dañados y que no tengan indicios de suciedad.		X	
Realice una comprobación de las conexiones entre la batería y el producto. Examine también la conexión entre la batería y el cargador de batería.			X

Para examinar la batería y el cargador de la batería

1. Examine la batería en busca de daños, tales como grietas.
2. Examine el cargador de la batería en busca de daños, tales como grietas.
3. Asegúrese de que el cable de conexión del cargador de batería no presente daños ni grietas.

Para limpiar el producto, la batería y el cargador de batería

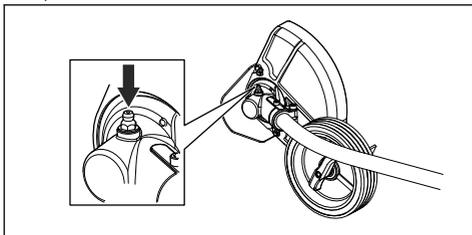
1. Limpie el producto con un paño seco después del uso.
2. Limpie la batería y el cargador de la batería con un paño seco. Mantenga limpios los rieles de guía de la batería.
3. Asegúrese de que las terminales en la batería y en el cargador de la batería estén secos antes de que la batería se coloque en el cargador de la batería o en el producto.

Para comprobar el engranaje angulado

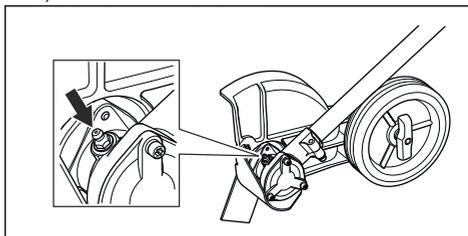
Durante su fabricación, el engranaje angulado se llena con una cantidad suficiente de grasa. Normalmente, la grasa en el engranaje angulado no necesita cambiarse, excepto si se realizan reparaciones.

- Antes de utilizar el producto, compruebe que el engranaje angulado esté lleno hasta $\frac{3}{4}$ de grasa. Si es necesario, llene con grasa especial.

a) Para el modelo 525iECS:



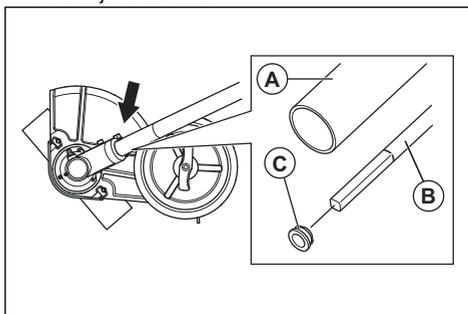
b) Para el modelo 525iES:



Para lubricar el eje propulsor flexible

Solo para el modelo 525iECS.

1. Afloje los 2 tornillos en el engranaje angulado.
2. Quite el engranaje angulado.
3. Realice un agarre firme en el eje hueco (A) y quite el eje propulsor flexible (B) desde el extremo opuesto de la caja de cambios.



Tenga en cuenta: El buje (C) se caerá cuando quite el eje propulsor flexible. Asegúrese de no perderlo. Deje el buje asegurado a un lado.

4. Lubrique toda la longitud del eje propulsor flexible.
5. Vuelva a insertar el eje propulsor flexible en el eje hueco. Gire el eje propulsor flexible cuando lo inserte para que se acople correctamente en el engranaje angulado.
6. Conecte el buje en el eje propulsor flexible.

7. Conecte el engranaje angulado en el eje propulsor hueco y apriete los 2 tornillos.

Solución de problemas

Interfaz de usuario

Problema	Posibles fallas	Posible medida
El indicador LED de la batería parpadea en naranja	Tensión de la batería baja.	Cargue la batería.
La luz LED de error parpadea en rojo	Sobrecarga.	El equipo de corte se ha atascado. Detenga la máquina. Extraiga la batería. Limpie el equipo de corte de materiales no deseados.
	Variación de temperatura.	Deje que el producto se enfríe.
	El gatillo de alimentación y el botón de activación se presionan al mismo tiempo.	Suelte el gatillo de alimentación para activar el producto.
El producto no arranca	Suciedad en los conectores de la batería.	Limpie los conectores de la batería con aire comprimido o con un cepillo de cerdas suaves.
El LED de error está encendido con luz roja	El producto necesita mantenimiento.	Póngase en contacto con su taller de servicio.

Transporte, almacenamiento y eliminación de residuos

Transporte y almacenamiento

- Las baterías de iones de litio proporcionadas siguen los requisitos de la Legislación de productos peligrosos.
- Siga los requisitos especiales sobre el embalaje y las etiquetas para transportes comerciales, incluidos los de terceros y transportistas.
- Comuníquese con una persona con capacitación especial sobre materiales peligrosos antes de enviar el producto. Siga todas las normas nacionales aplicables.
- Utilice cinta sobre los contactos abiertos cuando coloque la batería en un paquete. Coloque firmemente la batería en el paquete para evitar el movimiento.
- Retire la batería para almacenarla o transportarla.
- Coloque la batería y el cargador de la batería en un lugar seco, donde no haya humedad ni heladas.
- No mantenga la batería en un área donde pueda generarse electricidad estática. No mantenga la batería en una caja metálica.
- Guarde la batería en un lugar donde la temperatura oscile entre los 5 °C/41 °F y los 25 °C/77 °F, lejos de la luz solar directa.
- Coloque el cargador de la batería en un almacenamiento donde la temperatura esté entre los 5 °C/41 °F y 45°C/113°F, lejos de la luz solar directa.
- Utilice solamente el cargador de la batería cuando la temperatura ambiente esté entre 5°C/41°F y 40°C/104°F.
- Cargue la batería de un 30 % a un 50 % antes de almacenarla durante períodos prolongados.
- Almacene el cargador de la batería en un espacio cerrado y seco.
- Mantenga la batería lejos del cargador de la batería durante el almacenamiento. No permita que niños y otras personas sin autorización toquen el equipo. Mantenga el equipo en un espacio que pueda cerrar.
- Limpie el producto y realice un mantenimiento total antes de almacenarlo durante un período prolongado.
- Utilice protección para transportes en el producto para evitar lesiones o daños en el producto durante su transporte y almacenamiento.
- Fije el producto de manera segura durante el transporte.

Eliminación de la batería, el cargador de la batería y el producto

Los símbolos que aparecen en el producto o en el paquete del producto indican que los componentes no constituyen residuos domésticos. Recíclelo en una

planta de reciclaje para equipo eléctrico y electrónico. Esto ayuda a evitar daños al medioambiente y a las personas.

Póngase en contacto con las autoridades locales, de residuos domésticos o con su distribuidor para obtener más información sobre cómo reciclar el producto.

Datos técnicos

Datos técnicos

	525IECS	525IES
Motor		
Tipo de motor	Husqvarna E-torque, BLDC	Husqvarna E-torque, BLDC
Velocidad de eje de salida, rpm	8400	4200
Ancho de corte, mm	200	200
Peso		
Peso sin la batería, kg / lb	5,4 / 11,9	5,6 / 12,3
Peso con batería (BLi300), kg / lb	7,3 / 16,1	7,5 / 16,5
Emisiones sonoras ⁴		
Nivel de potencia acústica, medido en dB (A)	96,4	91,0
Niveles sonoros ⁵		
Nivel de presión sonora equivalente en el oído del usuario, medido según la norma IEC 62841-1, dB (A)	76,7	75,7
Equipado con una cuchilla rebordeadora (original).		
Niveles de vibración ⁶		
Niveles de vibración en mangos, medidos según la norma IEC 62841-1, m/s ²	1,3 / 1,2	1,6 / 1,8
Equipado con una cuchilla rebordeadora (original), delantera/trasera para la bordeadora de césped.		

⁴ Los datos registrados para el nivel de presión acústica de la máquina tienen una dispersión estadística típica (desviación estándar) de 3 dB (A) y se han medido con el accesorio original que proporciona el nivel más alto.

⁵ Los datos informados para el nivel de presión acústica equivalente del producto tienen una dispersión estadística típica (desviación estándar) de 3 dB (A).

⁶ Los datos informados en cuanto al nivel de vibración tienen una dispersión estadística típica (desviación estándar) de 2 m/s². Para comparar los niveles de vibración de los productos que funcionan con baterías y por combustión, utilice la calculadora de vibraciones. <https://www.husqvarna.com/uk/services-solutions/vibration-calculator/>.

Baterías aprobadas

Batería	BLI300	40-B330X
Tipo	iones de litio	iones de litio
Capacidad de la batería, Ah	9,4	9
Tensión nominal, V	36	36
Peso, kg (lb)	1,9 (4,2)	2 (4,4)

Cargadores de batería aprobados

Cargador de batería	QC500
Voltaje de entrada, V	100-240
Frecuencia, Hz	50-60
Potencia, W	500

Accesorios

Accesorios aprobados

Accesorios aprobados	Tipo	Protección del equipo de corte, referencia
Cuchilla rebordeadora	2T (195 mm)	596 99 99-01

Marcas comerciales

La marca denominativa y los logotipos de *Bluetooth®* son marcas comerciales de *Bluetooth SIG, inc.* y cualquier uso de dichas marcas por Husqvarna está sometido a un acuerdo de licencias.

Declaración de conformidad del proveedor

Declaración de conformidad del proveedor

525iECS, 525iES

Parte responsable

Husqvarna Consumer Outdoor Products N.A., Inc 8825
Statesville Road, Charlotte, NC 28269

EE. UU. Tel.: +1 704 597 5000

www.husqvarna.com/us/support/e-mail/

Table des matières

Introduction.....	45	Transport, entreposage et mise au rebut.....	63
Sécurité.....	48	Caractéristiques techniques.....	64
Montage.....	56	Accessoires.....	65
Fonctionnement.....	58	Marques déposées.....	65
Entretien.....	61	Déclaration de conformité du fournisseur.....	66
Dépannage.....	63		

Introduction

Description du produit

L'outil Husqvarna525iECS, 525iES est un taille-bordures à batterie avec moteur électrique.

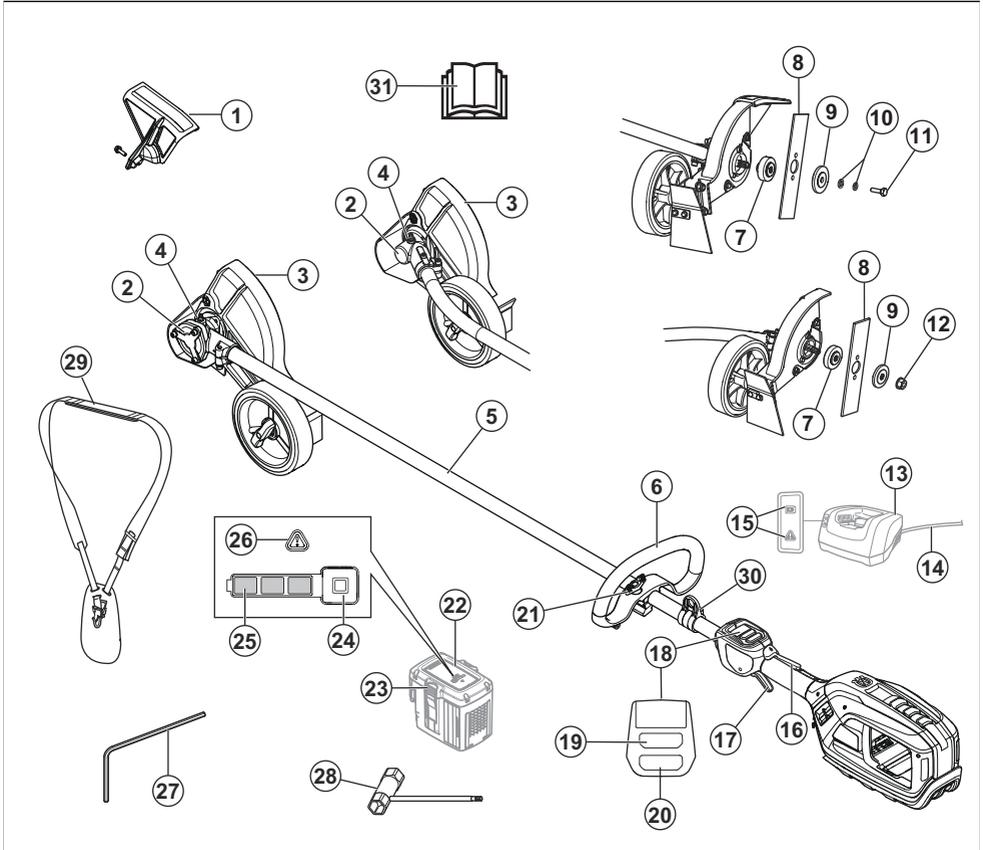
Le travail est constamment en cours pour augmenter votre sécurité et l'efficacité pendant l'utilisation. Pour obtenir de plus amples renseignements, communiquer avec votre centre de services.

Utilisation prévue

Le produit est utilisé pour tailler les bordures des pelouses. Ne pas utiliser l'outil pour d'autres tâches.

Remarque : Les réglementations nationales peuvent limiter l'utilisation du produit.

Présentation de l'appareil



- | | |
|--|--|
| 1. Dispositif de protection avant | 19. Bouton de marche/arrêt |
| 2. Renvoi d'angle | 20. Bouton de mode de vitesse |
| 3. Protection de l'outil de coupe | 21. Bouton |
| 4. Bouchon de remplissage de graisse, pignon conique | 22. Batterie |
| 5. Arbre | 23. Boutons de déverrouillage de la batterie |
| 6. Poignée en boucle | 24. Bouton indicateur de la batterie |
| 7. Disque d'entraînement | 25. État de la batterie |
| 8. Lame | 26. Témoin d'avertissement |
| 9. Bride de support | 27. Clé hexagonale de 4 mm |
| 10. Rondelles | 28. Outil à usages multiples |
| 11. Vis de blocage | 29. Harnais |
| 12. Contre-écrou | 30. Crochet de support du harnais |
| 13. Chargeur | 31. Manuel d'utilisation |
| 14. Câble de chargeur | |
| 15. Témoin d'alimentation et d'avertissement (DEL) | |
| 16. Mécanisme de verrouillage de la gâchette | |
| 17. Gâchette | |
| 18. Interface utilisateur | |

Symboles figurant sur le produit



AVERTISSEMENT : Ce produit peut être dangereux et causer des blessures très graves, ou même mortelles, à l'utilisateur et à d'autres personnes. Faire attention et utiliser le produit correctement.



Avant d'utiliser la tondeuse, lire attentivement le manuel d'utilisation et veiller à bien comprendre les directives.



Porter un dispositif de protection homologué pour les oreilles. Utiliser un dispositif de protection homologué pour les yeux.



Utiliser des gants de protection homologués.



Utiliser des bottes antidérapantes robustes.



Vitesse de rotation maximale de l'arbre de sortie.

IPX4

Protégé contre les éclaboussures d'eau.



Faire attention aux objets projetés et aux ricochets.



Avertissement pour les lames rotatives. Garder les mains et les pieds à l'écart.



Avertissement! La lame continue de tourner même après l'arrêt du moteur. Une fois le moteur arrêté, arrêter la lame de tourner en laissant la lame entrer en contact avec le sol.



Débrancher la batterie avant l'entretien.



Courant continu.



Tenir les personnes et les animaux à une distance minimale de 15 m pendant l'utilisation du produit.



Si le produit est doté de la technologie sans fil *Bluetooth*[®]. Le symbole *Bluetooth*[®] sera marqué sur l'étiquette du nom du produit.

aaaaassxxxx

La plaque signalétique ou l'impression au laser indique le numéro de série où **yyyy** représente l'année de production et **ww** la semaine de production.

Remarque : Les autres symboles/autocollants présents sur l'outil renvoient aux exigences en matière de certification pour d'autres zones commerciales.

Proposition 65 de la Californie

! ATTENTION!

Ce produit contient ou émet un produit chimique qui, d'après l'État de Californie, peuvent causer le cancer, des malformations congénitales ou autre danger pour la reproduction.

Produit endommagé

Nous ne sommes pas responsables des dommages causés à notre produit si :

- Le produit n'est pas réparé de façon adéquate.
- Le produit est réparé avec des pièces qui ne sont pas fournies ou homologuées par le fabricant.
- Le produit comprend un accessoire qui n'est pas fourni ou homologué par le fabricant.
- Le produit n'est pas réparé par un centre de service après-vente agréé ou par une autorité homologuée.

Définitions relatives à la sécurité

Les avertissements, recommandations et remarques soulignent des points du manuel qui revêtent une importance particulière.



AVERTISSEMENT : Indique la présence d'un risque de blessure ou de décès de l'utilisateur ou de personnes à proximité si les instructions du manuel ne sont pas suivies.



MISE EN GARDE : Indique la présence d'un risque de dommages au produit, à d'autres appareils ou à la zone adjacente si les instructions du manuel ne sont pas suivies.

Remarque : Utilisé pour donner des renseignements plus détaillés qui sont nécessaires dans une situation donnée.

Avertissements généraux relatifs à la sécurité de la machine



AVERTISSEMENT : Lire toutes les instructions et consignes de sécurité. Le non-respect des consignes et mises en garde peut être à l'origine d'un choc électrique, d'un incendie et/ou de blessures graves.

Conserver ces instructions et consignes pour consultation ultérieure. Le terme « machine » utilisé dans les avertissements se rapporte à votre machine sur secteur (filaire) ou à votre machine alimentée par batterie (sans fil).

Vérification avant l'utilisation

- Toujours retirer la batterie afin d'éviter le démarrage accidentel de l'appareil. Toujours retirer la batterie avant toute opération d'entretien de l'appareil.
- Avant d'utiliser l'appareil ou après tout impact, vérifier s'il y a des signes éventuels d'usure ou de dommages et procéder aux réparations nécessaires.
- Inspecter la zone de travail. Retirer tous les objets mobiles tels que les pierres, le verre cassé, les clous, les fils de fer, les cordes, etc., qui pourraient être projetés ou s'enrouler autour de l'outil de coupe ou de son dispositif de protection.
- Inspecter le moteur à la recherche de saletés et de fissures. Nettoyer les herbes et les feuilles présentes sur le moteur à l'aide d'une brosse. Au besoin, portez des gants.

- S'assurer que la tête de coupe est correctement fixée.
- Vérifier que l'appareil est en parfait état de marche. Vérifier le serrage de l'ensemble des écrous et des vis.
- Vérifier la tête de coupe et son dispositif de protection à la recherche de dommages ou de fissures. Remplacer la tête de coupe ou son dispositif de protection si l'un ou l'autre a reçu des coups ou est fissuré. Toujours utiliser le dispositif de protection recommandé pour l'outil de coupe utilisé. Se reporter aux caractéristiques techniques.
- L'utilisateur de l'appareil doit s'assurer qu'aucune personne ou aucun animal ne s'approche à moins de 15 mètres pendant le fonctionnement. Lorsque plusieurs opérateurs travaillent dans la même zone, la distance de sécurité doit être d'au moins 15 mètres.
- Effectuer une inspection générale de l'appareil avant de l'utiliser. Consulter le calendrier d'entretien.
- L'utilisation de l'appareil peut être soumise à des réglementations nationales ou locales. Respecter les réglementations en vigueur.

Sécurité dans la zone de travail

- **Maintenez une zone de travail propre et bien éclairée.** Les espaces encombrés ou sombres exposent à des accidents.
- **N'utilisez pas la machine dans un environnement explosif, dans lequel se trouvent des liquides, gaz ou poussières inflammables.** Les machines créent des étincelles qui peuvent provoquer l'inflammation de la poussière ou des vapeurs.
- **Maintenez les enfants et autres personnes à distance pendant le fonctionnement de la machine.** Les distractions peuvent être la cause d'une perte de contrôle de la machine.

Sécurité électrique

- **La fiche de la machine doit être adaptée à la prise de courant. N'apportez jamais de modifications à la fiche. N'utilisez pas de fiches adaptatrices avec des machines mises à la terre.** Des fiches non modifiées et des prises compatibles réduiront le risque d'électrocution.
- **Évitez tout contact physique avec les surfaces mises à la terre telles que les tuyaux, les radiateurs, les cuisinières et les réfrigérateurs.** Le risque d'électrocution est plus important si le corps est relié à la terre.
- **N'exposez pas les machines à la pluie ou à l'humidité.** La pénétration d'eau à l'intérieur de la machine augmente le risque de choc électrique.
- **Ne malmenez pas le cordon. N'utilisez jamais le cordon d'alimentation pour porter, tirer ou débrancher la machine. Maintenez le cordon**

d'alimentation à l'écart de la chaleur, de l'huile, de bords tranchants ou de pièces en mouvement. Les cordons endommagés ou emmêlés augmentent le risque d'électrocution.

- **Lors du fonctionnement de la machine en extérieur, utilisez une rallonge appropriée pour une utilisation extérieure.** L'utilisation d'une rallonge prévue pour un usage en extérieur réduit le risque d'électrocution.
- **Si vous n'avez pas d'autre choix que d'utiliser la machine dans un endroit humide, utilisez une alimentation protégée par un disjoncteur différentiel de fuite à la terre (RCD).** L'utilisation d'un RCD réduit le risque de choc électrique.

Sécurité du personnel

- **Soyez attentif, restez concentré sur le travail en cours et utilisez la machine de manière raisonnable. N'utilisez pas la machine si vous êtes fatigué ou sous l'influence de drogues, d'alcool ou de médicaments.** Il suffit d'un moment d'inattention pendant le fonctionnement de la machine pour se blesser gravement.
- **Utilisez un équipement de protection personnelle. Travaillez toujours avec des protections pour les yeux.** Les équipements de protection tels que les masques anti-poussière, les chaussures de sécurité antidérapantes, le casque ou les protège-oreilles utilisés dans les conditions appropriées réduisent les blessures corporelles.
- **Évitez tout démarrage intempestif. Vérifiez que l'interrupteur est en position d'arrêt avant de brancher l'outil sur l'alimentation et/ou la batterie, de le ramasser ou de le transporter.** Il est dangereux de porter la machine en conservant le doigt sur l'interrupteur ou de brancher la machine à l'alimentation électrique alors que l'interrupteur est en position marche.
- **Retirez tout outil de réglage ou clé avant d'allumer la machine.** Un outil ou une clé relié à une pièce rotative de la machine peut causer des blessures.
- **Ne vous penchez pas trop loin. Restez toujours en équilibre et sur vos appuis.** Cela permet de mieux contrôler la machine dans des situations inattendues.
- **Habilitez-vous correctement. Ne portez jamais de vêtements amples ou de bijoux. Éloignez vos cheveux et vos vêtements des pièces mobiles.** Les vêtements amples, les bijoux et les cheveux longs peuvent rester coincés dans les pièces mobiles.
- **Si des dispositifs sont fournis pour raccorder des systèmes de collecte de la poussière et d'aspirateur industriel, vérifiez qu'ils sont correctement branchés et utilisés.** L'utilisation de systèmes d'aspirateurs peut réduire les risques associés à la poussière.
- **La connaissance des outils, acquise par l'usage fréquent de ces derniers, ne doit pas vous dispenser d'être prudent et d'appliquer les principes de sécurité.** Une manipulation inattentive peut entraîner de graves blessures en une fraction de seconde.

- Les vibrations produites pendant l'utilisation de la machine peuvent différer de la valeur totale déclarée, selon la manière dont l'outil est utilisé. En vue de se protéger, les opérateurs devraient établir des mesures de sécurité basées sur une estimation de leur exposition dans les conditions d'utilisation réelles (en tenant compte de toutes les phases du cycle opératoire, comme, par exemple, lorsque l'outil est éteint et lorsqu'il fonctionne en mode ralenti ou au gaz).

Utilisation et entretien de la machine

- **Ne forcez pas en utilisant la machine. Utilisez la machine adaptée à votre travail.** La machine appropriée permettra de mieux réaliser la tâche, de manière plus sûre, au régime prévu.
- **N'utilisez pas la machine si l'interrupteur ne permet pas la mise sous tension et l'arrêt.** Toute machine qui ne peut pas être contrôlée par son interrupteur est dangereuse et doit être réparée.
- **Débranchez la fiche de la prise et/ou retirez la batterie, si celle-ci est amovible, avant de procéder aux réglages, de changer d'accessoires ou de ranger la machine.** De telles mesures préventives réduisent le risque de démarrage accidentel de la machine.
- **Rangez les machines non utilisées hors de portée des enfants. N'autorisez pas des personnes qui n'ont pas lu ces instructions et ne sont pas familières avec l'utilisation de la machine à se servir de celle-ci.** Les machines sont dangereuses entre les mains de personnes inexpérimentées.
- **Entretenez les machines et les accessoires. Vérifiez que les pièces mobiles sont correctement alignées et ne coïncent pas, qu'aucune pièce n'est cassée, et contrôlez l'absence de toute autre situation susceptible d'altérer le fonctionnement de la machine. En cas de dommages, faites réparer la machine avant de l'utiliser.** De nombreux accidents résultent d'un mauvais entretien des machines.
- **Maintenez les outils tranchants aiguisés et propres.** Des outils tranchants correctement entretenus avec des bords tranchants aiguisés sont moins susceptibles de se coincer et sont plus faciles à contrôler.
- **Utilisez la machine, les accessoires et les outils insérables, etc. conformément à ces instructions, en tenant compte des conditions de travail et de la tâche à réaliser.** L'utilisation de la machine pour des applications différentes de celles pour lesquelles elle a été conçue peut être la cause d'une situation dangereuse.
- **Garder les poignées et les surfaces de préhension sèches, propres et exemptes d'huile et de graisse.** Les poignées et les surfaces de préhension glissantes ne permettent pas de manipuler l'outil de manière sécuritaire, ni d'en conserver le contrôle lorsqu'une situation inattendue se présente.

Utilisation et entretien d'un outil à batterie

- **Ne rechargez la machine qu'avec le chargeur indiqué par le fabricant.** Un chargeur convenant à un type de bloc de batteries particulier peut entraîner un risque d'incendie s'il est utilisé avec un autre bloc.
- **Utilisez les produits uniquement avec les batteries spécifiquement préconisées.** L'utilisation d'une autre batterie peut entraîner un risque de blessure et d'incendie.
- **Lorsque la batterie n'est pas utilisée, maintenez-la à distance d'objets métalliques, tels que des trombones, pièces de monnaie, clés, clous, vis, ou autres petits objets en métal risquant de relier une borne à l'autre.** Court-circuiter les bornes de batterie entraîne un risque de brûlures et d'incendie.
- **En cas d'utilisation abusive, du liquide peut s'échapper de la batterie ; évitez tout contact. En cas de contact accidentel, rincez à l'eau. En cas de contact avec les yeux, consultez un médecin.** Le liquide échappé de la batterie peut causer irritations et brûlures.
- **Ne pas utiliser un bloc de batteries ou un outil défectueux ou modifié.** Les batteries endommagées ou altérées peuvent présenter un comportement imprévisible pouvant provoquer un incendie, une explosion ou un risque de blessure.
- **Ne pas exposer un bloc de batteries ou l'outil au feu ou à une température excessive.** Une exposition au feu ou à une température supérieure à peut provoquer une explosion.
- **Suivre toutes les instructions de charge et ne pas charger la batterie ou l'outil en dehors de la plage de températures spécifiée dans les instructions.** Charge incorrectement ou à des températures en dehors de la plage spécifiée peut endommager la batterie et augmenter les risques d'incendie.

Entretien

- **Confiez la réparation de votre machine à du personnel spécialisé et qualifié qui utilisera uniquement des pièces de rechange d'origine.** Cela garantit le maintien de la sécurité de la machine.
- **Ne jamais tenter de réparer un bloc de batteries endommagé.** L'entretien des batteries doit être effectué uniquement par le fabricant ou des fournisseurs de services agréés.

Avertissements de sécurité relatifs au coupe-herbe et au taille-bordures

- **Ne pas utiliser la machine lorsque les conditions météo sont mauvaises en particulier s'il y a un risque d'éclairs,** pour ne pas courir le risque d'être foudroyé.
- **Inspecter soigneusement la zone d'utilisation de la machine à la recherche de petits animaux.** Les animaux peuvent être blessés par la machine pendant l'utilisation.
- **Inspecter minutieusement la zone d'utilisation du produit et retirer les pierres, les bâtons, les fils, les**

os et tout autre objet. La projection d'objets peut causer des blessures.

- **Avant d'utiliser la machine, toujours inspecter visuellement pour s'assurer que la lame et l'ensemble de coupe ne sont pas endommagés.** Les pièces endommagées augmentent le risque de blessures.
- **Avant l'utilisation, vérifiez si le cordon d'alimentation et les rallonges sont endommagés ou trop vieux. Ne pas utiliser la machine si le cordon est endommagé ou usé. Si le cordon est endommagé ou usé pendant l'utilisation, éteindre la machine et ne pas toucher au cordon avant d'avoir débranché l'alimentation.** Un cordon ou une rallonge endommagés peut causer une décharge électrique, un incendie ou des blessures graves.
- **Maintenir les dispositifs de protection en place. Les dispositifs de protection doivent être en bon état d'utilisation et être montés correctement.** Un dispositif de protection desserré, endommagé ou défectueux peut entraîner des blessures.
- **Garder toutes les entrées d'air de refroidissement exemptes de débris.** Des entrées d'air obstruées et des débris peuvent entraîner une surchauffe ou un risque d'incendie.
- **Porter des protections pour les yeux et pour les oreilles.** Un équipement de protection adéquat réduit le risque de blessures.
- **Lorsque vous utilisez la machine, portez toujours des chaussures de protection antidérapantes. N'utilisez pas la machine si vous êtes pieds nus ou si vous portez des sandales ouvertes.** Cela augmenterait le risque de blessure aux pieds causée par la lame en mouvement.
- **Portez toujours des vêtements tels que des pantalons qui recouvrent les jambes de l'opérateur pendant l'utilisation de la machine.** Tout contact avec la lame ou le fil en mouvement peut causer des blessures.
- **Tenir les passants éloignés lorsque vous utilisez la machine.** La projection de débris peut causer de graves blessures.
- **N'utilisez pas la machine au-dessus de la hauteur de la taille.** De cette façon, le risque de contact accidentel sera réduit et il sera plus facile de contrôler la machine dans des situations imprévues.
- **Faire preuve de prudence lors de l'utilisation de la machine dans l'herbe humide. Toujours marcher, ne jamais courir.** Cela réduit le risque de glisser et de tomber, ce qui peut entraîner des blessures.
- **N'utilisez pas la machine sur un terrain en pente très abrupte.** Cela augmenterait le risque de perte de contrôle, de glissement et de chute pouvant entraîner des blessures.
- **Lorsque vous travaillez sur un terrain en pente, assurez-vous toujours de vos appuis, de toujours travailler perpendiculairement à la pente, de ne jamais monter ou descendre et faites preuve d'une extrême prudence lorsque vous changez de direction.** Cela augmenterait le risque de perte

de contrôle, de glissement et de chute pouvant entraîner des blessures.

- **Maintenir tous les câbles et cordons d'alimentation à l'écart de la zone de coupe.** Les broussailles et buissons pourraient dissimuler des câbles ou des cordons d'alimentation susceptibles d'être accidentellement sectionnés par la lame.
- **Tenir la lame ou le fil de coupe éloignés de toute partie du corps. Ne pas dégager le matériel de la machine avant qu'elle n'ait été débranchée de la source d'alimentation.** La lame ou le fil de coupe en mouvement peut causer des blessures graves.
- **Transporter la machine éteinte et éloignée de votre corps.** Une manipulation adéquate de la machine réduit le risque de contact accidentel avec la lame ou le fil de coupe en mouvement.
- **N'utilisez que les têtes de coupe, les lames et les fils de coupe de rechange spécifiés par le fabricant. Ne pas remplacer la lame ou le fil de coupe par une lame ou un fil en métal.** Des pièces de rechange inappropriées peuvent entraîner une perte de contrôle, un bris ou des blessures.

Toujours faire preuve de bon sens.

Il n'est pas possible de couvrir toutes les situations imaginables qui pourraient se produire. Toujours faire preuve d'attention et de bon sens. Éviter toutes les situations qui vous semblent difficiles. En cas d'incertitude au sujet des procédures d'utilisation après avoir lu ces instructions, consulter un expert avant de continuer.



AVERTISSEMENT : Ne jamais laisser des enfants utiliser l'appareil ou se tenir à proximité de celui-ci. L'appareil étant facile à démarrer, les enfants peuvent le faire démarrer s'ils sont laissés sans surveillance. Cela peut entraîner un risque de blessure grave. Par conséquent, débrancher la batterie lorsque l'appareil n'est pas sous surveillance.

Consignes générales de sécurité



AVERTISSEMENT : Lire les messages d'avertissement qui suivent avant d'utiliser l'appareil.

- Retirer la batterie afin d'éviter le démarrage accidentel de l'appareil.
- Ce produit est un outil dangereux s'il est utilisé de façon insouciant ou inappropriée. Cet outil peut causer des blessures graves, ou même mortelles, à l'utilisateur et à d'autres personnes.
- Ne pas utiliser l'outil si des modifications contraires à ses caractéristiques initiales y ont été apportées. Ne pas modifier une partie de l'outil sans l'approbation du fabricant. Utiliser seulement des pièces homologuées par le fabricant. Des blessures

graves ou mortelles peuvent résulter d'un entretien non adéquat.

- Vérifier le produit avant son utilisation. Voir *Vérification avant l'utilisation à la page 48* et *Avant d'utiliser le produit à la page 58*. Ne pas utiliser le produit s'il est endommagé ou ne fonctionne pas correctement. Effectuer les vérifications de sécurité, de maintenance et d'entretien conformément aux instructions fournies dans ce manuel.
- Les enfants doivent être supervisés afin de s'assurer qu'ils ne jouent pas avec l'outil. Ne jamais laisser des enfants ni des personnes n'ayant pas été formées à l'utilisation de l'outil ou de sa batterie utiliser ou entretenir l'outil. La réglementation locale peut fixer l'âge de l'utilisateur.
- Garder le produit dans un endroit verrouillé hors de portée des enfants et des personnes non autorisées.
- Entreposer le produit hors de portée des enfants.
- La conception du produit ne peut en aucun cas être modifiée sans l'autorisation du fabricant. Toujours utiliser des accessoires d'origine. Les modifications et les accessoires non autorisés peuvent entraîner des blessures graves ou la mort de l'opérateur et d'autres personnes.

Remarque : Des lois nationales ou locales peuvent réglementer l'utilisation. Respecter les réglementations en vigueur.

Consignes de sécurité pour l'utilisation



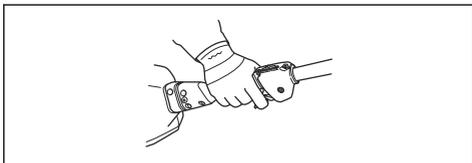
AVERTISSEMENT : Lire les instructions de sécurité qui suivent avant d'utiliser l'appareil.

- Ne jamais laisser un enfant utiliser le produit.
- Ne jamais laisser des gens utiliser le produit sans d'abord s'assurer qu'ils ont compris le contenu du manuel de l'opérateur.
- Tenir à l'écart toute personne non autorisée. Les enfants, les animaux, les observateurs et les assistants doivent rester en dehors de la zone de sécurité, soit à une distance d'au moins 15 m (50 pi) pendant le travail. Arrêter l'appareil immédiatement si une personne s'approche.
- Assurez-vous qu'il est possible de vous déplacer et de vous tenir debout en toute sécurité. Repérer les éventuels obstacles (racines, roches, branches,

fossés, etc.) en cas de déplacement imprévu. Faire très attention pendant le travail sur une pente.



- Inspecter la zone de travail. Retirer tous les objets mobiles tels que les pierres, le verre cassé, les clous, les fils de fer, les cordes, etc. qui pourraient être projetés ou s'enrouler autour de la fraise ou de son dispositif de protection.
- Faire preuve de prudence à l'égard des projections d'objets. Toujours porter des lunettes de protection homologuées. Ne jamais se pencher au-dessus du dispositif de protection de l'outil de coupe. Des pierres, des débris, etc. peuvent être projetés dans vos yeux, causant la cécité ou des blessures graves.
- Ne pas utiliser le produit par mauvais temps, y compris dans un brouillard épais, sous une pluie diluvienne, dans des endroits fortement venteux et en cas de froid intense, etc.
- Ne pas utiliser le produit s'il est impossible d'appeler de l'aide en cas d'accident.
- Éteindre le produit avant de le déplacer.
- Ne jamais déposer le produit en marche à moins de l'avoir sous les yeux.
- Toujours tenir le produit à deux mains. Tenir l'outil sur le côté du corps.
- Utiliser la main droite pour commander la gâchette de puissance.



- Rester attentif aux appels ou cris d'avertissement en cas de port de protecteurs d'oreilles. Toujours enlever les protecteurs d'oreilles dès que le moteur s'arrête.
- Lorsque le moteur est en marche, garder les mains et les pieds à l'écart de l'outil de coupe.
- Lorsque le moteur est coupé, garder les mains et les pieds à l'écart de l'outil de coupe jusqu'à ce qu'il soit complètement arrêté.
- Toujours garder l'outil de coupe près du sol.
- Toujours tailler les bordures avec la gâchette en position de plein régime.
- Faire particulièrement attention lorsqu'on tire la machine vers soi pendant le travail.

- Si le produit touche un objet étranger quelconque ou produit des vibrations, l'arrêter immédiatement. Éteindre le produit. S'assurer que le produit n'a pas subi de dommages. Réparez tout dommage.
- Il arrive parfois que l'herbe ou les pierres soient coincées dans le protège-lame et l'outil de coupe. Toujours éteindre le produit et retirer la batterie avant le nettoyage.

Bluetooth®



MISE EN GARDE : Les

modifications ou les changements apportés à cet équipement non expressément approuvés par Husqvarna peuvent annuler l'autorisation de la FCC d'utiliser cet équipement.

AVIS : Cet appareil est conforme à l'article 15 de la réglementation FCC et à la norme RSS d'Innovation, Sciences et Développement économique Canada pour les appareils exempts de licence. Son utilisation est soumise aux deux conditions suivantes :

- Cet appareil ne doit pas causer d'interférences nuisibles.
- Cet appareil doit accepter toute autre interférence, y compris les interférences pouvant causer un fonctionnement non désiré.

Remarque : Cet équipement a été testé et trouvé conforme aux limites d'un appareil de classe B, conformément à l'article 15 des règlements de la FCC. Ces limites sont conçues pour fournir une protection raisonnable contre les interférences nuisibles dans une installation résidentielle. Cet équipement produit, utilise et peut émettre des fréquences radio et, s'il n'est pas installé et utilisé conformément aux instructions, il peut provoquer des interférences nuisibles aux communications radio. Cependant, il n'y a aucune garantie que des interférences ne pourront pas se produire dans une installation particulière. Si cet équipement engendre des interférences nuisibles pour la réception radio ou télévisuelle, ce qui peut être déterminé en éteignant l'équipement, l'utilisateur est encouragé à essayer de corriger l'interférence en prenant une ou plusieurs des mesures suivantes :

- Réorienter ou déplacer l'antenne réceptrice.
- Augmenter la distance entre l'équipement et le récepteur.
- Raccorder l'équipement à une prise située sur un circuit différent de celui sur lequel le récepteur est raccordé.
- Communiquer avec le concessionnaire ou un technicien radio/TV expérimenté pour obtenir de l'aide.

Ce produit est conforme aux spécifications techniques en vigueur d'Innovation, Sciences et Développement économique Canada.

Le présent produit est conforme aux spécifications techniques en vigueur d'Innovation, Sciences et Développement économique Canada.

Le présent appareil est conforme aux CNR d'Innovation, Sciences et Développement économique Canada en vigueur aux appareils radio exempts de licence. L'exploitation est autorisée aux deux conditions suivantes :

- l'appareil ne doit pas produire de brouillage, et
- l'appareil doit accepter tout brouillage radioélectrique subi, même si le brouillage est susceptible d'en compromettre le fonctionnement.

Déclaration de conformité des fournisseurs pour Husqvarna525IECS, 525IES

Partie responsable

Husqvarna Professional Product, Inc.

9335 Harris Corners Parkway

Charlotte, NC 28269

États-Unis

Téléphone : +1 704 597-5000

Courriel : <http://www.husqvarna.com/us/support/e-mail/>

Équipement de protection personnelle



AVERTISSEMENT : Lire les messages d'avertissement qui suivent avant d'utiliser le produit.

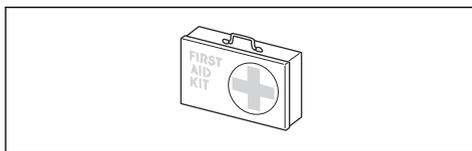
- Toujours utiliser un équipement de protection personnelle homologué lors de l'utilisation de l'appareil. Cet équipement de protection personnelle n'élimine pas complètement les risques de blessures, mais il peut en réduire la gravité en cas d'accident. Laisser le concessionnaire aider à sélectionner l'équipement adéquat.
- Porter un casque de protection en cas de risque de chute d'objets.
- Porter des protecteurs d'oreille homologués qui assurent une réduction adéquate du bruit. L'exposition prolongée au bruit peut causer des lésions auditives permanentes.
- Utiliser un dispositif de protection homologué pour les yeux. Porter également des lunettes de protection homologuées en cas d'utilisation d'une visière. Les lunettes de protection homologuées doivent être conformes à la norme ANSI Z87.1 aux États-Unis ou à la norme EN 166 dans les pays de l'Union européenne.
- Utiliser une visière pour protéger le visage. La visière n'est pas suffisante pour protéger les yeux.



- Utiliser des gants au besoin, par exemple lors de la fixation, de l'examen ou du nettoyage de l'outil de coupe.
- Porter des bottes antidérapantes robustes.
- Utiliser des vêtements faits de tissus résistants. Toujours utiliser des pantalons longs et lourds et des manches longues. Ne pas porter des vêtements amples qui peuvent se prendre dans les broussailles et les branches. Ne pas porter des bijoux, des pantalons courts, des sandales et ne pas marcher pieds nus. Garder les cheveux au-dessus des épaules.



- Garder une trousse de premiers soins à portée de main.



Dispositifs de sécurité sur l'outil



AVERTISSEMENT : Lire les messages d'avertissement qui suivent avant d'utiliser l'appareil.

Cette section décrit l'équipement de sécurité du produit, son but et la façon d'en effectuer les inspections et l'entretien afin de s'assurer qu'il fonctionne correctement. Consulter les instructions sous la rubrique *Introduction à la page 45* pour trouver où ces pièces se trouvent sur votre produit.

La durée de vie du produit peut être réduite et le risque d'accident peut augmenter si l'entretien de la machine n'est pas effectué correctement et si l'entretien ou les réparations ne sont pas effectués de façon professionnelle. Pour obtenir de plus amples informations, veuillez communiquer avec votre concessionnaire le plus proche.

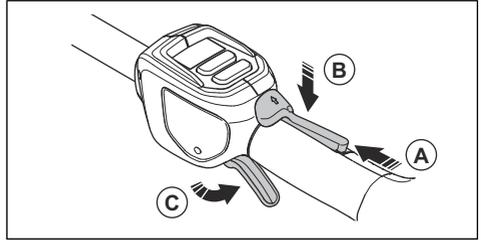


AVERTISSEMENT : Ne jamais utiliser un produit dont les composants de sécurité sont endommagés. L'équipement de sécurité du produit doit être inspecté et

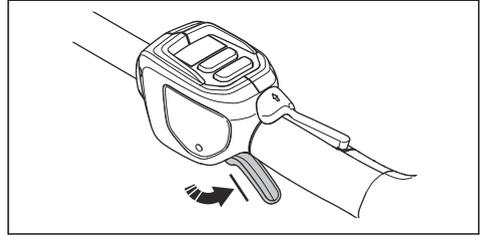
entretenu selon les directives de la présente section. Si une inspection de la machine détecte une panne, communiquer avec un atelier spécialisé pour réparation.



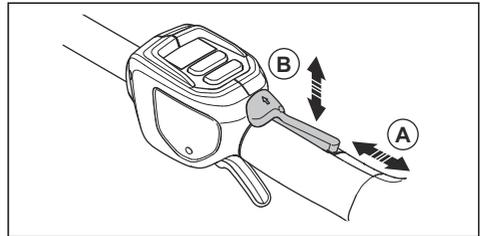
MISE EN GARDE : Tous les travaux de réparation nécessitent une formation spéciale. Ceci concerne particulièrement l'équipement de sécurité de la machine. Si les contrôles suivants ne donnent pas un résultat positif, vous devez communiquer avec un atelier spécialisé. L'achat de l'un de nos produits offre à l'acheteur la garantie d'un service et de réparations qualifiés. Si le détaillant qui vous a vendu la machine n'est pas un centre de service agréé, demandez-lui l'adresse de l'atelier spécialisé le plus proche.



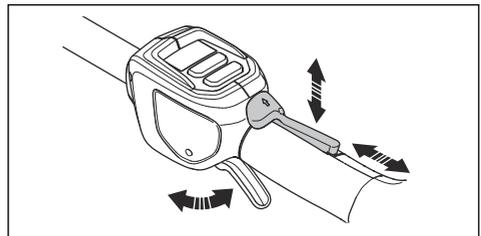
1. Vérifier que la gâchette est verrouillée quand le bouton de verrouillage est à sa position initiale.



2. Appuyer sur dispositif de verrouillage de la gâchette de puissance vers l'avant (A) et vers le bas. Appuyer sur le dispositif de verrouillage de la gâchette de puissance contre la poignée (B) et s'assurer qu'elle retourne à sa position initiale une fois relâchée.



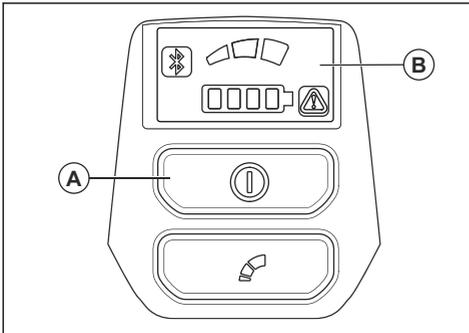
3. Vérifier que la gâchette de puissance et son dispositif de verrouillage bougent librement et que le ressort de retour fonctionne correctement.



4. Démarrer le produit, se reporter à *Mise sous tension de l'appareil* à la page 59.
5. Enfoncer complètement la gâchette de puissance pour faire tourner le moteur à plein régime.
6. Relâcher la gâchette et vérifier que l'outil de coupe s'immobilise.

Vérification de l'interface utilisateur

1. Maintenir enfoncé le bouton de marche/arrêt (A).
 - a) Quand le produit est sous tension, l'écran s'allume.



- b) Quand le produit est hors tension, l'écran s'éteint.
2. Si le témoin d'avertissement sur l'écran s'allume ou clignote, se reporter à *Dépannage* à la page 63.

Vérification du verrouillage de la gâchette

Le mécanisme de verrouillage de la gâchette empêche le fonctionnement accidentel de celle-ci. Lorsqu'on appuie sur le dispositif de verrouillage de la gâchette de puissance vers l'avant (A), puis sur le dispositif de verrouillage de la gâchette de puissance contre la poignée (B), la gâchette de puissance (C) est relâchée. Quand la poignée est relâchée, la gâchette et son mécanisme de verrouillage retournent à leur position initiale. Ce mouvement est actionné par trois ressorts indépendants.

Vérification du dispositif de protection de l'outil de coupe



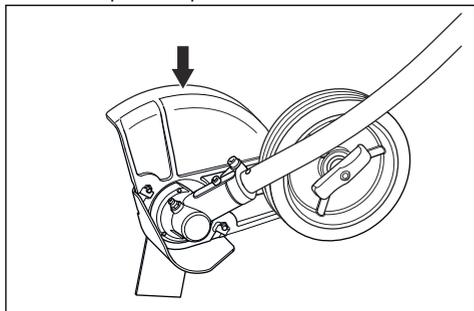
AVERTISSEMENT : Ne pas utiliser un outil de coupe dépourvu du dispositif de protection homologué correctement fixé. Toujours utiliser le dispositif de protection recommandé pour l'équipement de coupe utilisé. Se reporter à *Accessoires à la page 65*. L'utilisation d'un dispositif de protection pour l'outil de coupe défectueux ou inapproprié peut causer des blessures graves.



AVERTISSEMENT : S'assurer que le dispositif de protection avant est bien installé. Se reporter à *Pour installer le dispositif de protection avant à la page 58*.

Le dispositif de protection de l'outil de coupe arrête les objets projetés en direction de l'opérateur. Il empêche également de subir des blessures en cas de contact avec l'outil de coupe.

1. Éteindre le produit.
2. Effectuer une vérification visuelle à la recherche de dommages, par exemple des fissures, sur le dispositif de protection de l'équipement de coupe et sur le dispositif de protection avant.

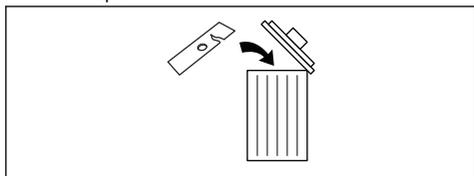


3. Remplacer le dispositif de protection s'il est endommagé.

Pour vérifier la lame

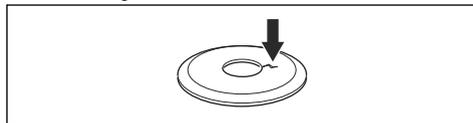
La lame est conçue et fabriquée pour résister aux charges créées par la coupe des bordures de pelouse.

- Vérifier la lame pour détecter d'éventuels dommages ou fissures. Une lame endommagée doit toujours être remplacée.



Pour vérifier la bride de support

- S'assurer que la bride de support ne présente pas de fissures liées à la fatigue ou à un serrage excessif. Mettre la bride de support au rebut s'il est endommagé.



Pour vérifier le contre-écrou



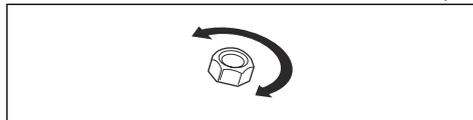
MISE EN GARDE : Le revêtement en nylon à l'intérieur du contre-écrou ne doit pas être si usé qu'il soit possible de le tourner à la main. Le revêtement doit offrir une résistance d'au moins 1,5 Nm / 13 po-lb. Le contre-écrou doit être remplacé après avoir été remplacé une dizaine de fois.



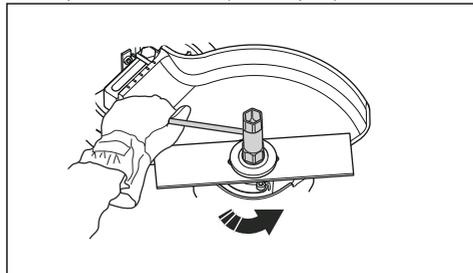
MISE EN GARDE : Le contre-écrou présente un filetage à gauche. Un serrage excessif du contre-écrou peut endommager les filets.

Le contre-écrou fixe l'outil de coupe sur l'arbre de sortie. Protéger la main contre les blessures lors du montage, utiliser le dispositif de protection de l'outil de coupe en guise de protection lors du serrage à l'aide d'une clé à douille.

1. Lors de l'installation, serrer le contre-écrou dans le sens opposé au sens de rotation de l'outil de coupe. Pour le retirer, dévisser le contre-écrou en le tournant dans le sens de rotation de l'outil de coupe.



2. Serrer le contre-écrou à l'aide d'une clé à douille au couple de 35 à 50 Nm (26 à 37 pi-lb).



Équipement de coupe

Sélectionner le bon équipement de coupe et effectuer les opérations d'entretien de l'équipement de coupe pour les raisons suivantes :

- Obtenir les meilleures performances de coupe.
- Augmenter la longévité de l'équipement de coupe.



AVERTISSEMENT : Utiliser uniquement l'équipement de coupe et les dispositifs de protection recommandés par Husqvarna. Se reporter à *Accessoires à la page 65*.



AVERTISSEMENT : Un outil de coupe non adéquat peut augmenter le risque d'accident.



AVERTISSEMENT : Toujours arrêter le moteur avant d'effectuer toute intervention sur l'outil de coupe. La lame continue de tourner après qu'on a relâché la gâchette. S'assurer que l'équipement de coupe est complètement arrêté et retirer la batterie avant de commencer à travailler sur la machine.



AVERTISSEMENT : Toujours porter des gants très résistants lors du

raccord, de l'inspection ou du nettoyage de l'équipement de coupe.

Consignes de sécurité pour la maintenance



AVERTISSEMENT : Lire les messages d'avertissement qui suivent avant de procéder à l'entretien du produit.

- Retirer la batterie avant d'effectuer l'entretien, de procéder à d'autres contrôles ou d'assembler le produit.
- L'opérateur ne doit effectuer que les travaux de réparation et d'entretien décrits dans ce manuel d'utilisation. Se rendre dans le centre de service agréé pour les travaux de réparation ou d'entretien plus importants.
- Ne pas nettoyer la batterie ou le chargeur de batterie avec de l'eau. Les détergents puissants peuvent endommager le plastique.
- En absence d'entretien, cela réduit la durée de vie du produit et augmente le risque d'accidents.
- Une formation spécifique est nécessaire pour tous les travaux d'entretien et de réparation, en particulier pour les dispositifs de sécurité sur le produit. Si toutes les vérifications indiquées dans ce manuel d'utilisation ne sont pas homologuées une fois l'entretien effectué, se rendre dans le centre de service. La disponibilité des réparations et des entretiens effectués de façon professionnelle est garantie pour votre produit.
- Utiliser des pièces de rechange d'origine.

Montage

Introduction

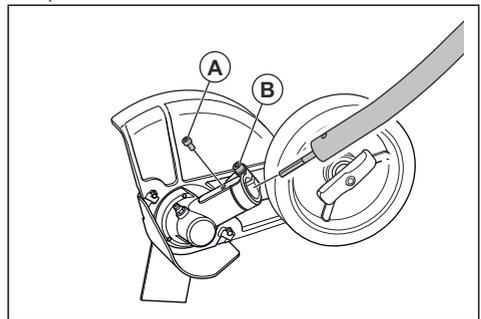


AVERTISSEMENT : Lire et comprendre le chapitre sur la sécurité avant d'assembler le produit.

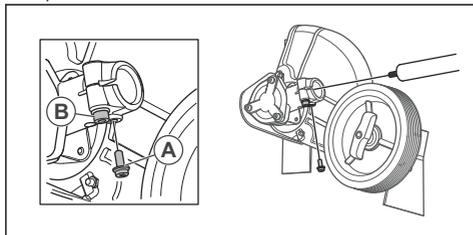
Pour assembler le pignon conique

1. Insérer l'arbre d'entraînement dans le carter de la boîte d'engrenage conique. Mettre l'outil de coupe de sorte que l'arbre s'engage dans le pignon conique.
2. Fixer la boîte de renvois d'angle au tube de l'arbre en alignant le trou de positionnement (525iECS) ou le joint de soudure du tube de l'arbre (525iES).
3. Serrer fermement la vis (A), puis le boulon de blocage (B) au couple de 6 à 8 N.m (53 à 70 po-lb).

a) Pour le modèle 525iECS :



b) Pour le modèle 525iES :



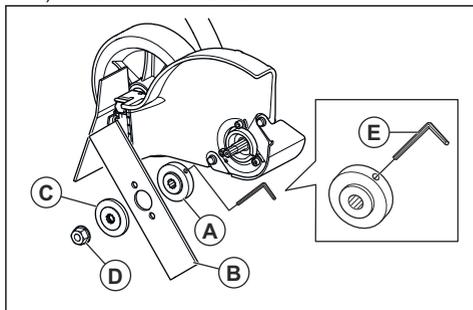
Montage de l'outil de coupe



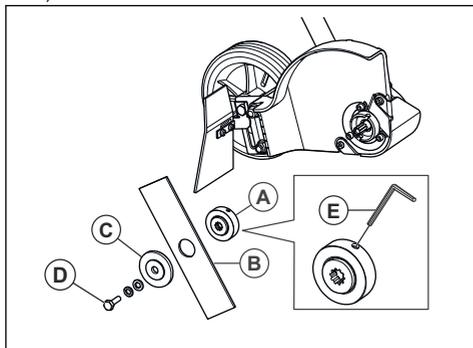
AVERTISSEMENT : Ne jamais utiliser un outil de coupe sans dispositif de protection homologué. L'utilisation d'un dispositif de protection de l'outil de coupe défectueux ou inapproprié peut causer des blessures graves.

1. Installer le disque d'entraînement (A) de l'arbre de sortie. S'assurer que le bord du disque d'entraînement qui s'adapte dans le trou de la lame, est orienté vers l'extérieur.

a) Pour le modèle 525iECS :



b) Pour le modèle 525iES :



2. Bloquer la rotation de la lame en insérant la clé hexagonale (E) dans le trou du disque d'entraînement.

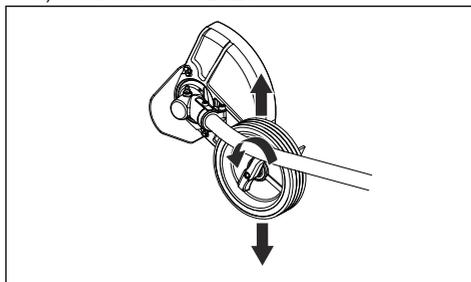
3. Monter la lame (B) sur le disque d'entraînement.
4. Monter la bride de support (C). Poser la bride de support de sorte que son bord extérieur s'appuie contre la lame.
5. Monter le contre-écrou / le boulon de fixation de la lame (D). Le contre-écrou / le boulon de fixation de la lame présente un filetage à gauche. Serrer le contre-écrou / le boulon de fixation de la lame au couple de 15 à 20 Nm (12 à 15 pi-lb).
6. Retirer la clé hexagonale.

Pour régler la profondeur de coupe de l'outil de coupe

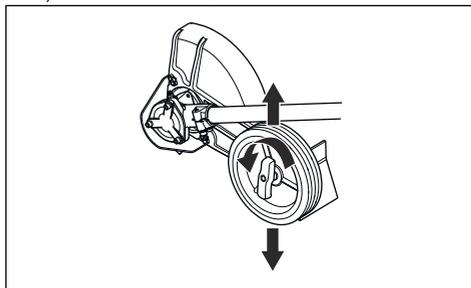
Régler la profondeur de coupe de l'outil de coupe avant de commencer le travail.

1. Desserrer l'écrou à oreilles.

a) Pour le modèle 525iECS :



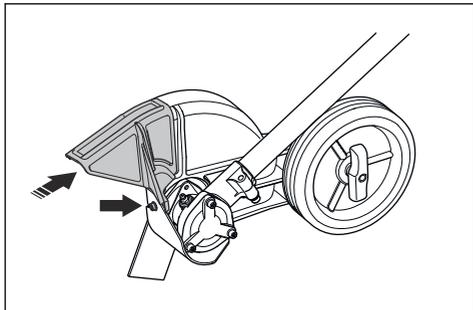
b) Pour le modèle 525iES :



2. Régler la profondeur de coupe voulue.
3. Serrer l'écrou à oreilles.

Pour installer le dispositif de protection avant

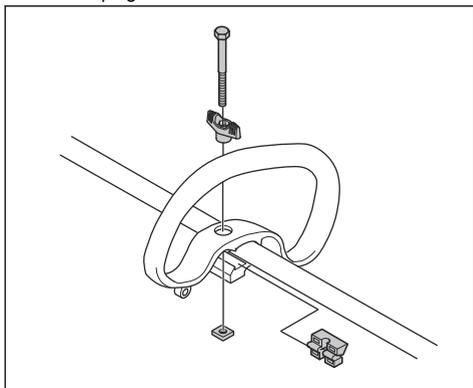
1. Poser la protection avant sur l'avant de la protection de l'équipement de coupe.



2. Installer le boulon et le serrer.

Pour monter la poignée en boucle

1. Fixer la poignée en boucle à l'arbre.

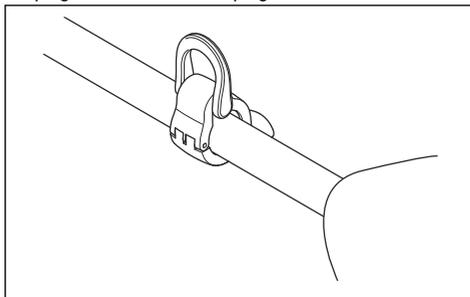


2. Déplacer l'entretoise dans la fente du guidon en boucle.
3. Installer l'écrou, le bouton et la vis, sans trop les serrer.

4. Régler le produit dans une position confortable. Se reporter à *Pour régler la poignée en boucle à la page 59*.
5. Serrer le boulon.

Installation du crochet de support du harnais

1. Installer le crochet de support du harnais entre la poignée en boucle et la poignée d'accélération.



Remarque : Ne pas placer le crochet de support sur l'autocollant.

2. Ajuster l'anneau pour équilibrer le produit et en faciliter l'utilisation.

Pour régler le harnais

1. Enfiler le harnais.
2. Fixer le harnais sur le crochet de support du harnais.
3. Régler la longueur du harnais jusqu'à ce que le crochet de support se trouve à la hauteur de la hanche droite de l'utilisateur.

Renseignements sur la batterie

Se reporter au manuel d'utilisation de la batterie pour obtenir des renseignements sur la manière d'utiliser la batterie.

Fonctionnement

Introduction



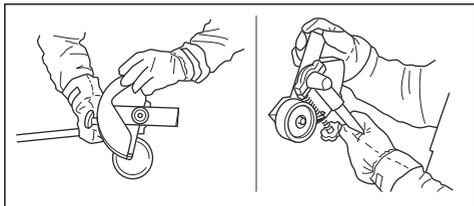
AVERTISSEMENT : Lire et comprendre le chapitre sur la sécurité avant d'utiliser le produit.

Avant d'utiliser le produit

- Examiner la zone de travail pour s'assurer de connaître le type de terrain. Examiner l'inclinaison

du sol et s'il y a des obstacles tels que des pierres, des branches et des fossés.

- Effectuer une inspection générale du produit.
- Effectuer les inspections de sécurité, les réparations et l'entretien indiqués dans ce manuel.
- S'assurer que l'ensemble des vis et des écrous sont bien serrés.
- S'assurer que l'ensemble des couvercles, des protections, des poignées et des équipements de coupe sont correctement fixés et en bon état avant de démarrer le produit.

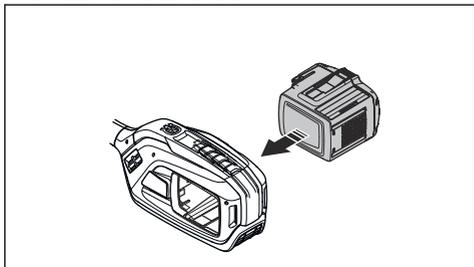


Branchement de la batterie



AVERTISSEMENT : Utiliser uniquement des batteries d'origine Husqvarna avec le produit.

1. Vérifier que la batterie est chargée à bloc.
2. Pousser la batterie dans le porte-batterie de l'appareil. Quand la batterie se bloque en position, un déclic se fait entendre.

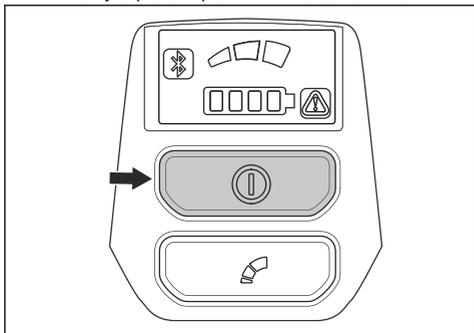


MISE EN GARDE : Si la batterie ne s'insère pas facilement dans le porte-batterie, elle n'est pas bien installée. Cela pourrait endommager le produit.

3. Vérifier que le protège-main est bien installé.

Mise sous tension de l'appareil

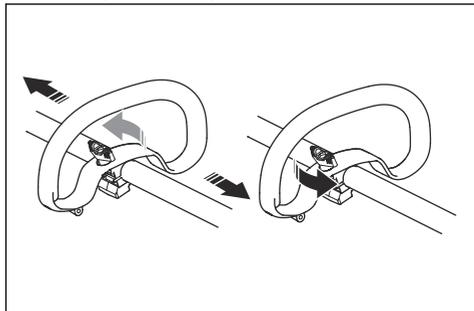
1. Placer le produit en position de démarrage.
2. Appuyer sur le bouton de marche et le maintenir enfoncé jusqu'à ce que la DEL verte s'allume.



3. Utiliser le commutateur d'activation pour commander la vitesse.

Pour régler la poignée en boucle

1. Desserrer le bouton et régler la poignée en boucle sur une position adéquate.



Remarque : S'assurer de ne pas fixer ou déplacer la poignée en boucle vis-à-vis des autocollants d'avertissement de l'arbre en deux pièces.

2. Serrer le bouton.

Fonction d'arrêt automatique

Le produit est doté d'une fonction d'arrêt qui met l'outil hors fonction quand il n'est pas utilisé. La DEL verte de marche-arrêt s'éteint et le produit se met hors tension après 180 secondes.

Utilisation de la machine

Pour tailler les bordures



AVERTISSEMENT : Ne pas retirer l'herbe coupée ou laisser d'autres personnes retirer l'herbe coupée lorsque le moteur est en marche ou que l'outil de coupe tourne, car il peut en résulter des blessures graves.



AVERTISSEMENT : Faire preuve de prudence à l'égard des projections d'objets. Toujours porter des lunettes de protection homologuées. Ne jamais se pencher au-dessus du dispositif de protection de l'outil de coupe. Des pierres, des débris, etc. peuvent être projetés dans vos yeux, ce qui peut causer la cécité ou des blessures graves.



AVERTISSEMENT : S'assurer qu'aucune personne ni aucun animal ne s'approche à moins de 15 mètres pendant le travail. Lorsque plusieurs

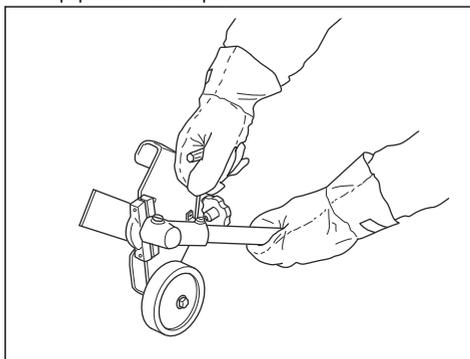
opérateurs travaillent dans la même zone, la distance de sécurité doit être d'au moins 15 mètres. Le non-respect de cette directive peut entraîner de graves blessures. Arrêter l'appareil immédiatement si une personne s'approche. Ne jamais entamer un mouvement de balancement avec l'appareil sans d'abord jeter un coup d'œil derrière pour s'assurer que personne ne se trouve dans la zone de sécurité.

S'assurer d'être dans une position de travail sécuritaire et stable.



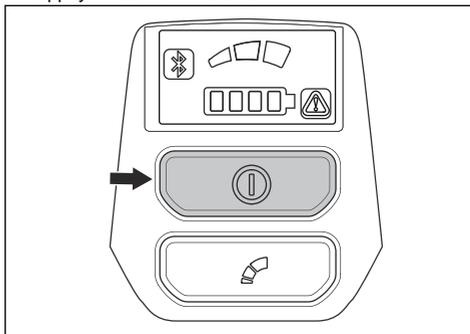
- Toujours tenir l'appareil des deux mains. Tenir l'appareil sur le côté droit du corps.
- Utiliser la main droite pour commander la gâchette de puissance.
- Toujours garder la lame près du sol.
- Lorsque le moteur est en marche, garder les mains et les pieds à l'écart de l'équipement de coupe.
- Lorsque le moteur est coupé, garder les mains et les pieds à l'écart de l'équipement de coupe jusqu'à ce qu'il soit complètement arrêté.
- Toujours tailler avec la gâchette en position de plein régime.
- Marchez lentement.
- S'assurer que le matériau coupé soit éjecté vers une zone déjà coupée.
- Faire particulièrement attention lorsqu'on tire la machine vers l'arrière pendant le travail.
- Si le produit touche un objet étranger quelconque ou produit des vibrations, l'arrêter immédiatement. Retirer la batterie du produit et vérifier que le produit n'est pas endommagé.

- Toujours porter des gants très résistants lors du raccord, de l'inspection ou du nettoyage de l'équipement de coupe.

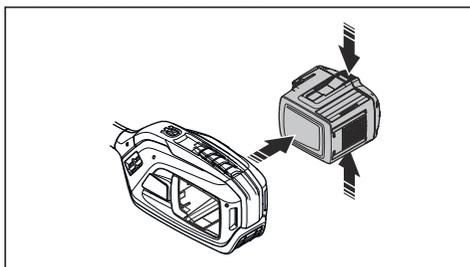


Arrêt de la machine

1. Relâcher la gâchette ou son mécanisme de verrouillage.
2. Placer le produit en position d'arrêt.
3. Appuyer sur le bouton d'arrêt.



4. Appuyer sur les boutons de déverrouillage de la batterie et retirer la batterie.



Application Husqvarna Fleet Services™

L'application Husqvarna Fleet Services™ est une solution dans le nuage qui donne au gestionnaire d'une flotte commerciale un aperçu de tous les produits. Il est également possible pour les gestionnaires de flotte

d'obtenir un accès à distance aux informations sur le produit. Pour plus de renseignements sur Husqvarna Fleet Services™ se reporter à la section .

Bluetooth® technologie sans fil

Les produits Bluetooth® dotés de la technologie sans fil intégrée peuvent se connecter à des appareils mobiles et permettre des fonctions supplémentaires.

Le symbole de la technologie sans fil *Bluetooth®* s'allume lorsque votre appareil mobile est connecté au produit.



Pour se connecter au produit avec l'application Husqvarna Fleet Services™

1. Télécharger l'application Husqvarna Fleet Services™ sur votre appareil mobile.
2. Ouvrir une session sur l'application Husqvarna Fleet Services™.
3. Suivre les instructions pour jumeler le produit à l'application Husqvarna Fleet Services™.

Entretien

Introduction



AVERTISSEMENT : Lire et comprendre le chapitre sur la sécurité avant de faire l'entretien du produit.

Voici les mesures d'entretien à effectuer sur l'appareil. Pour plus d'information, se reporter à *Entretien à la page 61*.

Calendrier d'entretien



AVERTISSEMENT : Retirer la batterie avant de procéder à l'entretien.

Entretien	Quotidien	Hebdo- madaire	Mensuel
Nettoyer les pièces externes de l'appareil avec un chiffon sec. Ne pas utiliser d'eau.	X		
Vérifier que le bouton de marche/arrêt n'est pas endommagé et qu'il fonctionne correctement.	X		
Vérifier que la gâchette et son mécanisme de verrouillage fonctionnent correctement et de façon sécuritaire.	X		
Vérifier que toutes les commandes fonctionnent et qu'elles ne sont pas endommagées.	X		
Garder les poignées sèches, propres et exemptes d'huile et de graisse.	X		
Vérifier que l'outil de coupe n'est pas endommagé. Remplacer l'outil de coupe s'il est endommagé.	X		
Vérifier que le dispositif de protection de l'outil de coupe n'est pas endommagé. Remplacer le dispositif de protection s'il est endommagé.	X		
Vérifier que les vis et les écrous sont bien serrés.	X		
Vérifier que les boutons de déverrouillage de la batterie fonctionnent et gardent la batterie bien fixée à l'appareil.	X		
Vérifier que le chargeur de batterie n'est pas endommagé et qu'il fonctionne correctement.	X		

Entretien	Quotidien	Hebdomadaire	Mensuel
Vérifier que la batterie n'est pas endommagée.	X		
Vérifier que la batterie est chargée.	X		
Vérifier que le chargeur de batterie n'est pas endommagé.	X		
Vérifier tous les câbles, raccords et connexions. S'assurer qu'ils sont en bon état et exempts de saletés.		X	
Vérifier les points de connexion entre la batterie et l'appareil. Examiner également le point de connexion entre la batterie et le chargeur.			X

Pour examiner la batterie et le chargeur de batterie

1. Examiner la batterie pour détecter des dommages éventuels, par exemple des fissures.
2. Examiner le chargeur de batterie pour détecter des dommages éventuels, par exemple des fissures.
3. S'assurer que le cordon de raccordement du chargeur de batterie est intact et qu'il ne présente pas de fissure.

Pour nettoyer le produit, la batterie et le chargeur de batterie.

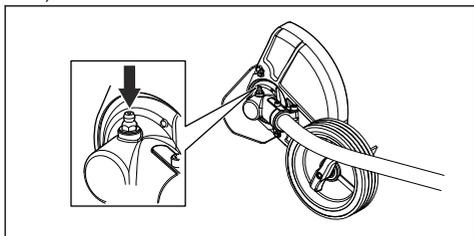
1. Nettoyer le produit à l'aide d'un chiffon sec après utilisation.
2. Nettoyer la batterie et chargeur de batterie à l'aide d'un chiffon sec. Garder les chemins de guidage de la batterie propres.
3. S'assurer que les bornes de la batterie et le chargeur de batterie sont propres avant de placer la batterie dans le chargeur de batterie ou sur le produit.

Pour vérifier le pignon conique

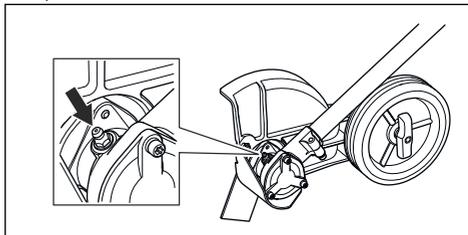
Le pignon conique est rempli de la quantité de graisse nécessaire en usine. Il n'est pas nécessaire normalement de remplacer la graisse du pignon conique à moins que des réparations soient effectuées.

- Avant d'utiliser le produit, s'assurer que le pignon conique est rempli au $\frac{3}{4}$ de graisse. Faire un appoint de graisse au besoin, à l'aide d'une graisse spéciale.

a) Pour le modèle 525iECS :



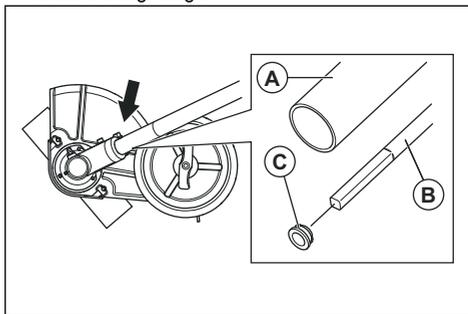
b) Pour le modèle 525iES :



Pour lubrifier l'arbre d'entraînement flexible

Seulement pour le modèle 525iECS.

1. Desserrer les 2 vis du pignon conique.
2. Retirer le pignon conique.
3. Saisir fermement l'arbre creux (A) et retirer l'arbre d'entraînement flexible (B) de l'extrémité opposée de la boîte d'engrenage.



Remarque : La bague (C) tombe lors du retrait de l'arbre d'entraînement flexible. S'assurer de ne pas l'égarer. Placer la bague de côté en toute sécurité.

4. Lubrifier toute la longueur de l'arbre d'entraînement flexible.

5. Réinsérer l'arbre d'entraînement flexible dans l'arbre creux. Lors de l'insertion de l'arbre d'entraînement flexible, le faire tourner de sorte qu'il s'engage correctement dans le pignon conique.
6. Fixer la bague sur l'arbre d'entraînement flexible.
7. Fixer le pignon conique sur l'arbre d'entraînement creux et serrer les 2 vis.

Dépannage

Interface utilisateur

Problème	Anomalies potentielles	Action possible
Le témoin à DEL de la batterie clignote en orange.	Tension de batterie faible.	Charger la batterie.
Le témoin d'erreur à DEL clignote en rouge	Surcharge.	L'outil de coupe est coincé. Éteindre le produit. Retirer la batterie. Dégager les matériaux indésirables de l'instrument de coupe.
	Écart de température.	Laisser l'outil refroidir!
	Appuyer simultanément sur la gâchette et le bouton de marche.	Relâcher la gâchette et l'outil est en marche.
Le produit ne démarre pas	Il y a des impuretés dans les connecteurs de batterie.	Nettoyer les connecteurs de batterie à l'air comprimé ou à l'aide d'une brosse douce.
Le témoin d'erreur rouge est allumé	L'outil doit faire l'objet d'un entretien.	Communiquer avec un service d'entretien.

Transport, entreposage et mise au rebut

Transport et entreposage

- Les batteries au lithium-ion fournies respectent les exigences de la loi sur les produits dangereux.
- Vous devez respecter l'exigence spécifique relative à l'emballage et aux étiquettes pour le transport commercial, y compris par des tiers et des transitaires.
- Communiquer avec une personne ayant une formation spéciale en matière de composés dangereux avant d'envoyer le produit. Respecter tous les règlements nationaux applicables.
- Mettez du ruban adhésif sur les contacts lorsque vous placez la batterie dans un emballage. Placez la batterie dans l'emballage de façon hermétique pour empêcher tout mouvement.
- Retirez la batterie lors du stockage ou du transport.
- Placez la batterie et le chargeur de batterie dans un endroit sec, à l'abri de l'humidité et du gel.
- Ne pas maintenir la batterie dans une zone où l'électricité statique peut se développer. Ne pas entreposer la batterie dans une boîte métallique.
- Conservez la batterie dans un endroit où la température est comprise entre 5 °C (41 °F) et 25 °C (77 °F) et à l'abri de la lumière du soleil.
- Conservez le chargeur de batterie dans un endroit où la température est comprise entre 5 °C (41 °F) et 45 °C (113 °F) et à l'abri de la lumière du soleil.
- N'utilisez le chargeur de batterie que si la température ambiante est comprise entre 5 °C (41 °F) et 40 °C (104 °F).
- Charger la batterie entre 30 % et 50 % avant de la remiser pour une longue période.
- Conservez le chargeur de batterie dans un local fermé et sec.
- Conservez la batterie à l'écart du chargeur lors du rangement. Ne laissez pas des enfants ou d'autres personnes non autorisées toucher l'équipement. Conservez l'équipement dans un local verrouillable.
- Nettoyez le produit et effectuez un entretien complet avant de remiser le produit pendant des périodes prolongées.
- Utilisez la protection de transport du produit pour éviter les blessures et les dégâts causés au produit lors du transport et du remisage.
- Fixez le produit pour le transporter.

Mise au rebut de la batterie, du chargeur de batterie et de l'outil

Les symboles figurant sur l'outil ou son emballage indiquent qu'il ne s'agit pas d'une ordure ménagère. Recycler dans un centre de recyclage pour équipements

électriques et électroniques. De cette façon, vous ne nuirez pas à l'environnement.

Pour savoir comment recycler ce produit, communiquer avec les autorités locales, le service de ramassage des ordures ménagères ou votre concessionnaire.

Caractéristiques techniques

Caractéristiques techniques

	525IECS	525IES
Moteur		
Type de moteur	Moteur à courant continu sans balais (BLDC) E-torq de Husqvarna	Moteur à courant continu sans balais (BLDC) E-torq de Husqvarna
Régime de l'arbre sortant, tr/min	8400	4200
Largeur de coupe, mm	200	200
Poids		
Poids sans batterie, kg/lb	5,4 / 11,9	5,6 / 12,3
Poids avec batterie (BLi300) kg/lb	7,3 / 16,1	7,5 / 16,5
Émissions sonores ⁷		
Niveau de puissance sonore, mesuré en dB (A)	96,4	91,0
Niveaux sonores ⁸		
Niveau de pression sonore équivalent à l'oreille de l'utilisateur mesuré selon la norme IEC 62841-1, dB (A)	76,7	75,7
Équipé d'une lame de taille-bordure (d'origine)		
Niveaux de vibrations ⁹		
Niveau de vibration à la poignée mesuré selon la norme IEC 62841-1, m/s ²	1,3 / 1,2	1,6 / 1,8
Équipé d'une lame de taille-bordure (d'origine), avant/arrière.		

⁷ Les données déclarées pour le niveau de pression sonore de la machine ont une dispersion statistique typique (écart-type) de 3 dB (A) et ont été mesurées avec l'accessoire d'origine qui génère le niveau le plus élevé.

⁸ Les données signalées pour le niveau de pression sonore équivalent du produit présentent une dispersion statistique type (écart standard) de 3 dB(A).

⁹ Les données signalées pour le niveau de vibration présentent une dispersion statistique type (écart standard) de 2 m/s². Pour comparer les niveaux de vibrations, la batterie et les produits à combustion, utiliser le calculateur de vibrations. <https://www.husqvarna.com/uk/services-solutions/vibration-calculator/>.

Batteries approuvées

Batterie	BLI300	40-B330X
Type	Lithium-ion	Lithium-ion
Capacité de la batterie, Ah	9,4	9
Tension nominale, V	36	36
Poids, kg (lb)	1,9 (4,2)	2 (4,4)

Chargeurs de batteries approuvés

Chargeur de batterie	QC500
Tension d'entrée, V	100 à 240
Fréquence, Hz	50 à 60
Puissance, W	500

Accessoires

Accessoires homologués

Accessoires homologués	Type	Dispositif de protection de l'outil de coupe, réf. art.
Lame de taille bordure	2T (195 mm)	596 99 99-01

Marques déposées

La marque et les logos *Bluetooth®* sont des marques déposées appartenant à *Bluetooth SIG, inc.* et tout usage de ces marques par Husqvarna est soumise à licence.

Déclaration de conformité du fournisseur

Déclaration de conformité du fournisseur

525iECS, 525iES

Partie responsable

Husqvarna Consumer Outdoor Products N.A., Inc. 8825
Statesville Road, Charlotte, NC 28269

États-Unis Tél. : +1 704 597 5000

www.husqvarna.com/us/support/e-mail/



www.husqvarna.com

Original instructions
Instrucciones originales
Instructions d'origine

1144100-49



2024-06-05