



Husqvarna®



122LK

EN Operator's manual
ES-MX Manual del usuario
FR-CA Manuel d'utilisation

2-16
17-32
33-48

Contents

| | | | |
|-------------------|----|---------------------------------|----|
| Introduction..... | 2 | Troubleshooting..... | 14 |
| Safety..... | 3 | Transportation and storage..... | 14 |
| Assembly..... | 7 | Technical data..... | 15 |
| Operation..... | 9 | Accessories..... | 15 |
| Maintenance..... | 11 | | |

Introduction

Product description

Husqvarna 122LK is a power unit with a combustion engine.

Work is constantly in progress to increase your safety and efficiency during operation. Speak to your servicing dealer for more information.

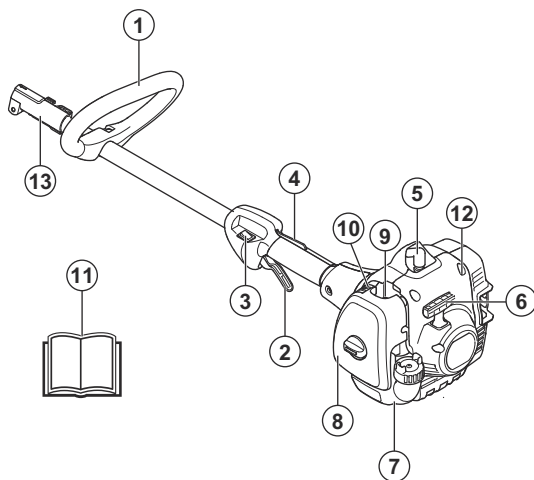
Intended use

This power unit is a bare unit that only function together with approved accessories, refer to *Attachments on*

page 15. Make sure to read this manual together with the approved accessory manual.

Note: National regulations can set limit to the operation of the product.

Product overview



- | | |
|----------------------------------|-----------------------|
| 1. Loop handle | 9. Air purge bulb |
| 2. Throttle trigger | 10. Choke control |
| 3. Stop switch | 11. Operator's manual |
| 4. Throttle trigger lockout | 12. Starter housing |
| 5. Spark plug cap and spark plug | 13. Shaft coupling |
| 6. Starter rope handle | |
| 7. Fuel tank | |
| 8. Air filter cover | |

Symbols on the product



WARNING! This product is dangerous. Injury or death can occur to the operator or bystanders if the product is not used carefully and correctly. To prevent injury to the operator or bystanders, read and obey all safety instructions in the operator's manual.



Read the operator's manual carefully and make sure that you understand the instructions before use.



Use a protective helmet in locations where objects can fall on you. Use approved hearing protection. Use approved eye protection.



Use approved protective gloves.



Use heavy-duty slip-resistant boots.



Air purge bulb.



Choke.

yyyywwxxxx

The rating plate shows the serial number. **yyyy** is the production year, **ww** is the production week.

Note: Other symbols/decals on the product refer to certification requirements for other commercial areas.

EPA III

EMISSION CONTROL INFORMATION

Husqvarna

THIS ENGINE MEETS US EPA EXH/EVP REGS FOR

EMISSIONS COMPLIANCE PERIOD :

HUSQVARNA AB HUSKVARNA SWEDEN.

The Emissions Compliance Period referred to on the Emission Compliance label indicates the number of operating hours for which the engine has been shown to meet Federal emissions requirements. Maintenance, replacement or repair of the emission control devices and system may be performed by any nonroad engine repair establishment or individual.

Customer assistance

For customer assistance, call: 1-800-487-5951 or visit www.husqvarna.com.

Product damage

We are not responsible for damages to our product if:

- the product is incorrectly repaired.
- the product is repaired with parts that are not from the manufacturer or not approved by the manufacturer.
- the product has an accessory that is not from the manufacturer or not approved by the manufacturer.
- the product is not repaired at an approved service center or by an approved authority.

Safety

Safety definitions

Warnings, cautions and notes are used to point out specially important parts of the manual.



WARNING: Used if there is a risk of injury or death for the operator or bystanders if the instructions in the manual are not obeyed.



CAUTION: Used if there is a risk of damage to the product, other materials or

the adjacent area if the instructions in the manual are not obeyed.

Note: Used to give more information that is necessary in a given situation.

General safety instructions



WARNING: Read the warning instructions that follow before you use the product.

- Use the product correctly. Injury or death is a possible result of incorrect use. Only use the product for the tasks found in this manual. Do not use the product for other tasks.
- Obey the instructions in this manual. Obey the safety symbols and the safety instructions. If the operator does not obey the instructions and the symbols, injury, damage or death is a possible result.
- Do not discard this manual. Use the instructions to assemble, to operate and to keep your product in good condition. Use the instructions for correct installation of attachments and accessories. Only use approved attachments and accessories.
- Do not use a damaged product. Obey the maintenance schedule. Only do the maintenance work that you find an instruction about in this manual. An approved service center must do all other maintenance work.
- This manual cannot include all situations that can occur when you use the product. Be careful and use your common sense. Do not operate the product or do maintenance on the product if you are not sure about the situation. Speak to a product expert, your dealer, service agent or approved service center for information.
- Examine the product daily for significant damage before each operation or when the product is hit by other objects or falls to ground. Refer to *Maintenance schedule on page 11*.
- Disconnect the spark plug cable before you assemble the product, put the product into storage or do maintenance.
- Do not use the product if it is changed from its initial specification. Do not change a part of the product without approval from the manufacturer. Only use parts approved by the manufacturer. Injury or death is a possible result of incorrect maintenance.
- Do not breathe in the fumes from the engine. Long-term inhalation of the engine's exhaust fumes is a health risk.
- Do not start the product indoors or near flammable material. The exhaust fumes are hot and can contain a spark which can start a fire. Not sufficient airflow can cause injury or death because of asphyxiation or carbon monoxide.
- When you use this product the engine makes an electromagnetic field. The electromagnetic field can cause damage to medical implants. Speak to your physician and medical implant manufacturer before you operate the product.
- Do not let a child operate the product. Do not let a person without knowledge of the instructions operate the product.
- Make sure that you always monitor a person, with decreased physical capacity or mental capacity, that uses the product. A responsible adult must be there at all times.
- Lock the product in an area that children and unapproved persons cannot access.
- The product can eject objects and cause injuries. Obey the safety instructions to decrease the risk of injury or death.
- Do not go away from the product when the engine is on.
- The operator of the product is responsible if an accident occurs.
- Make sure that parts are not damaged before you use the product.
- Make sure that you are at minimum 15 m (50 ft) away from other persons or animals before you use the product. Make sure that persons in the adjacent area know that you will use the product.
- Refer to national or local laws. They can prevent or decrease the operation of the product in some conditions.
- Do not use the product if you are fatigued, ill, or influenced by alcohol, drugs or medicine. They can have effects on your vision, alertness, coordination or judgment.

Safety instructions for assembly



WARNING: Read the warning instructions that follow before you use the product.

- Remove the spark plug cap from the spark plug before you assemble the product.
- Use approved protective gloves.
- Make sure that you assemble the cover and shaft correctly before you start the engine.

Safety instructions for operation

- Make sure the product is fully assembled before you use it.
- Before a start, move the product 3 m (10 ft) away from the position where you filled the fuel tank. Put the product on a flat surface. Make sure that the cutting attachment does not touch the ground or other objects.
- The product can cause objects to eject, which can cause damage to the eyes. Always use an approved eye protection when you operate the product.
- Be careful, a child can come near the product without your knowledge during operation.
- Do not operate the product if there are persons in the work area. Stop the product if a person goes into the work area.
- Make sure that you are always in control of the product. Make sure that you change the operation positions and take planned rests during operation of the product.
- Do not use the product if you cannot receive aid if an accident occurs. Always make sure others know you will operate the product before you start to operate the product.

- Do not turn with the product before you make sure that no persons or animals are in the safety area.
- Remove all unwanted materials from the work area before you start. If the cutting attachment hits an object, the object can eject and cause injury or damage. Unwanted material can wind around the cutting attachment and cause damage.
- Do not use the product in bad weather (fog, rain, strong winds, risk of lightning or other weather conditions.). Dangerous conditions (such as slippery surfaces) can occur because of bad weather.
- Make sure that you can move freely and work in a stable position.



- Make sure that you cannot fall when you use the product. Do not tilt when you operate the product.
- Always hold the product with your two hands. Hold the product on the right side of your body.



- Operate the product with the cutting attachment below your waist.
- If the choke control is in the choke position when the engine starts, the cutting attachment starts to turn.
- Do not touch the bevel gear after the engine stops. The bevel gear is hot after the engine stops. Hot areas can cause injury.
- Stop the engine before you move the product.
- Do not put down the product with the engine on.
- Before you remove the unwanted materials from the product, stop the engine and wait until the cutting attachment stops. Let the cutting attachment stop before you or an aid remove the cut material.
- Overexposure to vibration can lead to circulatory damage such as white finger disease or nerve damage in people who have impaired circulation. Contact your doctor if you experience symptoms of overexposure to vibration. These symptoms include numbness, loss of feeling, tingling, pricking, pain,

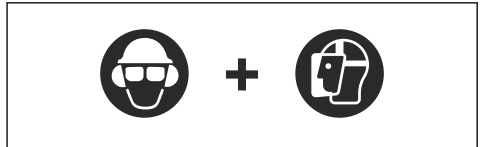
loss of strength, changes in skin color or condition. These symptoms normally appear in the fingers, hands or wrists.

Personal protective equipment



WARNING: Read the warning instructions that follow before you use the product.

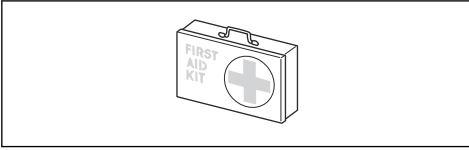
- Always use approved personal protective equipment when you use the product. Personal protective equipment cannot fully prevent injury but it decreases the degree of injury if an accident does occur. Let your dealer help you select the right equipment.
- Use a protective helmet where there is a risk of falling objects.
- Use approved hearing protection that provides adequate noise reduction. Long-term exposure to noise can result in permanent hearing impairment.
- Use approved eye protection. If you use a visor, you must also use approved protective goggles. Approved protective goggles must comply with the ANSI Z87.1 standard in the USA or EN 166 in EU countries.
- Use a visor for face protection. A visor is not enough for protection of the eyes.



- Use gloves when necessary, for example when you attach, examine or clean the cutting equipment. Gloves also help prevent circulatory or nerve damage to the hand and fingers caused by vibration.
- Use sturdy non-slip boots.
- Use clothing made of a strong fabric. Always use heavy, long pants and long sleeves. Do not use loose clothing that can catch on twigs and branches. Do not wear jewelry, short pants, sandals or go with bare feet. Put your hair up safely above shoulder level.



- Keep first aid equipment close at hand.



Safety devices on the product

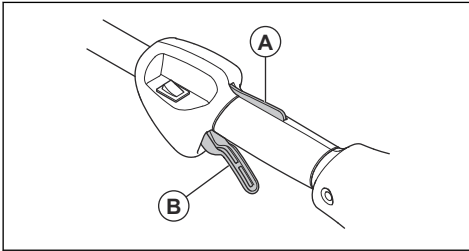


WARNING: Read the warning instructions that follow before you use the product.

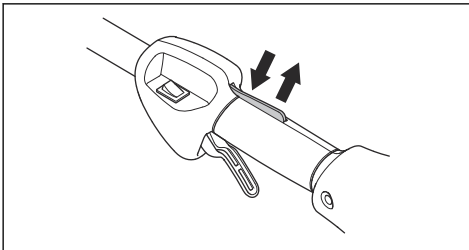
- Do not use a product with safety devices that are damaged or do not operate correctly.
- Do a check of the safety devices regularly. Refer to *Maintenance schedule on page 11*.
- If the safety devices are damaged or do not operate correctly, speak to your Husqvarna servicing dealer.

To do a check of the throttle trigger lockout

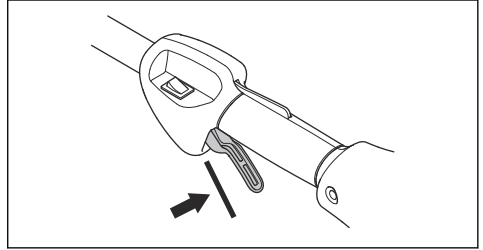
1. Make sure that the throttle trigger lockout (A) and throttle trigger (B) move freely and that the return spring works correctly.



2. Push down the throttle trigger lockout and make sure that it goes back to its initial position when you release it.



3. Make sure that the throttle trigger is locked at the idle position when the throttle trigger lockout is released.



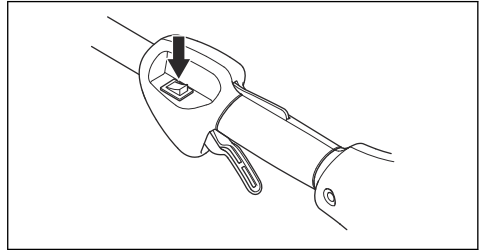
4. Start the product and apply full throttle.
5. Release the throttle trigger and make sure that the blades stop and stay stationary.



WARNING: If the blades move when the throttle trigger is in the idle position, then the carburetor idle speed must be adjusted. Refer to *To adjust the idle speed on page 12*.

To do a check of the stop switch

1. Start the engine.
2. Move the stop switch to the stop position and make sure that the engine stops.



Muffler

- Do not use an engine with a damaged muffler. A damaged muffler increases the noise level and the risk of fire. Keep a fire extinguisher near.
- Examine regularly that the muffler is attached to the product.
- Do not touch the engine or the muffler when the engine is on. Do not touch the engine or the muffler for a while after the engine stops. Hot surfaces can cause injuries.
- A hot muffler can cause a fire. Be careful, if you use the product near flammable liquids or fumes.
- Do not touch the parts in the muffler, if the muffler is damaged. The parts can contain some carcinogenic chemicals.

Fuel safety



WARNING: Read the warning instructions that follow before you use the product.

- Do not mix the fuel indoor or near a heat source.
 - Do not start the product if there is fuel or engine oil on the product. Remove the unwanted fuel/oil and let the product dry. Remove unwanted fuel from the product.
 - If you spill fuel on your clothing, change clothing immediately.
 - Do not get fuel on your body, it can cause injury. If you get fuel on your body, use a soap and water to remove the fuel.
 - Do not start the engine if you spill oil or fuel on the product or on your body.
 - Do not start the product if the engine has a leak. Examine the engine for leaks regularly.
 - Be careful with fuel. Fuel is flammable and the fumes are explosive and can cause injuries or death.
 - Do not breathe in the fuel fumes, it can cause injury. Make sure that there is sufficient airflow.
 - Do not smoke near the fuel or the engine.
 - Do not put warm objects near the fuel or the engine.
 - Do not add the fuel when the engine is on.
 - Make sure that the engine is cool before you refuel.
 - Before you refuel, open the fuel tank cap slowly and release the pressure carefully.
 - Make sure there are sufficient airflow when refueling and mixing fuel (petrol and two-stroke oil) or draining the fuel tank.
 - Fuel and fuel vapor are highly flammable and can cause serious injury when inhaled or allowed to come into contact with the skin. For this reason, observe caution when handling fuel and make sure there is sufficient airflow.
 - Tighten the fuel tank cap carefully or a fire can occur.
 - Move the product at a minimum of 3 m (10 ft) from the position where you filled the tank before a start.
 - Do not put too much fuel in the fuel tank.
 - Make sure that a leak cannot occur when you move the product or fuel container.
- Do not put the product or a fuel container where there is an open flame, spark or pilot light. Make sure that the storage area does not contain an open flame.
 - Only use approved containers when you move the fuel or put the fuel into storage.
 - Empty the fuel tank before long-term storage. Obey the local law on where to dispose fuel.
 - Clean the product before long-term storage.
 - Remove the spark plug cap before you put the product into storage to make sure that the engine does not start accidentally.

Safety instructions for maintenance



WARNING: Read the warning instructions that follow before you use the product.

- Stop the engine, make sure that the cutting attachment stops and let the product cool down before you do the maintenance.
- Disconnect the spark plug cap before you do the maintenance.
- The exhaust fumes from the engine contain carbon monoxide, an odorless, poisonous and very dangerous gas that can cause death. Do not run the product indoors or in closed spaces.
- The exhaust fumes from the engine are hot and can contain sparks. Do not run the product indoors or near flammable material.
- Accessories and changes to the product that are not approved by the manufacturer, can cause serious injury or death. Do not change the product. Always use original accessories.
- If the maintenance is not done correctly and regularly, there is an increased risk of injury and damage to the product.
- Only do the maintenance as this operator's manual recommends. Let an approved Husqvarna service agent do all other servicing.
- Let an approved Husqvarna service agent do servicing on the product regularly.
- Replace damaged, worn or broken parts.

Assembly

Introduction



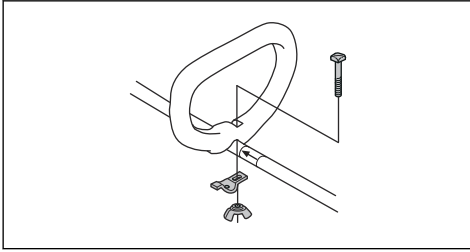
WARNING: Before you assemble the product, you must read and understand the safety chapter.



WARNING: Remove the spark plug cable from the spark plug before you assemble the product.

To attach the loop handle

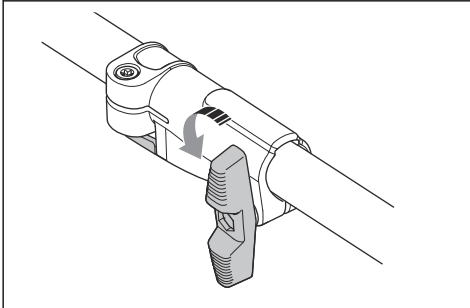
1. Attach the loop handle to the shaft in compliance with the illustration and tighten.



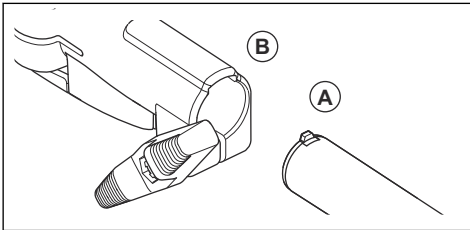
2. Make sure that the loop handle attaches before the arrow on the shaft.

To assemble the two-piece shaft

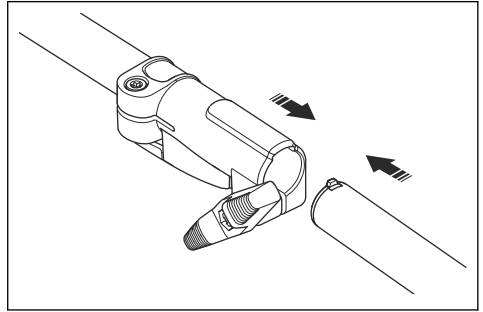
1. Turn the knob to loosen the coupling.



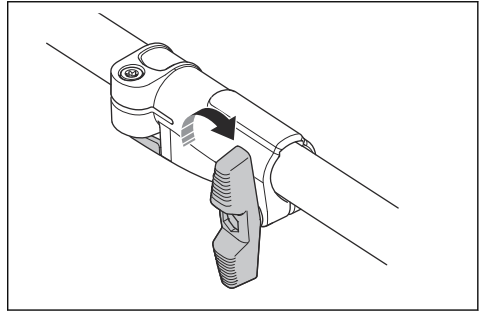
2. Align the tab of the cutting attachment (A) with the notch of the coupling (B).



3. Carefully push the shaft into the coupling until you hear a click.

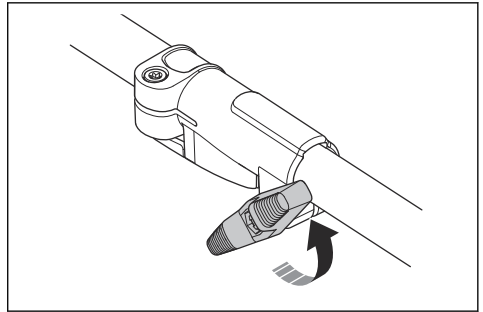


4. Tighten the knob fully.



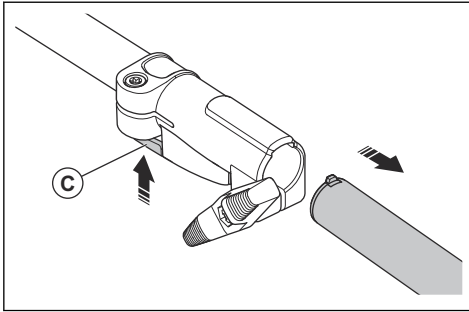
To disassemble the two-piece shaft

1. Turn the knob 3 turns or more to loosen the coupling.



2. Push and hold the button (C).
3. Hold tight to the end of the shaft that the engine is attached to.

- Pull the attachment straight out of the coupling.



Operation

Introduction



WARNING: Before you operate the product, you must read and understand the safety chapter.

Fuel

This product has a two-stroke engine.



CAUTION: Incorrect type of fuel can result in engine damage. Use a mixture of gasoline and two-stroke oil.

Premixed fuel

- Use Husqvarna premixed alkylate fuel for best performance and extension of the engine life. This fuel contains less harmful chemicals compared to regular fuel, which decreases harmful exhaust fumes. The quantity of remains after combustion is lower with this fuel, which keeps the components of the engine more clean.

To mix fuel

Gasoline

- Use good quality unleaded gasoline with a maximum of 10% ethanol contents.



CAUTION: Do not use gasoline with an octane grade less than 90 RON/87 AKI. Use of a lower octane grade can cause engine knocking, which causes engine damages.

Two-stroke oil

- For best results and performance use Husqvarna two-stroke oil.

- If Husqvarna two-stroke oil is not available, use a two-stroke oil of good quality for air-cooled engines. Speak to your servicing dealer to select the correct oil.



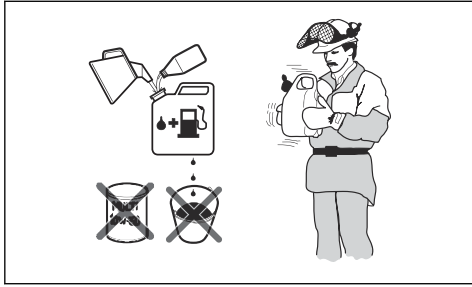
CAUTION: Do not use two-stroke oil for water-cooled outboard engines, also referred to as outboard oil. Do not use oil for four-stroke engines.

To mix gasoline and two-stroke oil

| Gasoline, liter | Two-stroke oil, liter |
|-----------------|-----------------------|
| | 2% (50:1) |
| 5 | 0.10 |
| 10 | 0.20 |
| 15 | 0.30 |
| 20 | 0.40 |
| US gallon | US fl. oz. |
| 1 | 2 ½ |
| 2 1/2 | 6 ½ |
| 5 | 12 ½ |



CAUTION: Small errors can influence the ratio of the mixture drastically when you mix small quantities of fuel. Measure the quantity of oil carefully and make sure that you get the correct mixture.



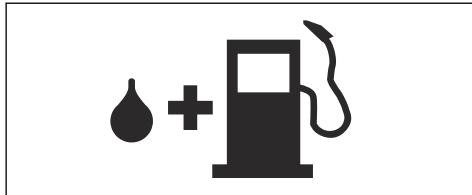
1. Fill half the quantity of gasoline in a clean container for fuel.
2. Add the full quantity of oil.
3. Shake the fuel mixture.
4. Add the remaining quantity of gasoline to the container.
5. Carefully shake the fuel mixture.

CAUTION: Do not mix fuel for more than 1 month at a time.

To fill the fuel tank

WARNING: Obey the procedure that follows for your safety.

1. Stop the engine and let the engine become cool.
2. Clean the area around the fuel tank cap.



3. Shake the container and make sure that the fuel is fully mixed.
4. Remove the fuel tank cap slowly to release the pressure.
5. Fill the fuel tank.

CAUTION: Make sure that there is not too much fuel in the fuel tank. The fuel expands when it becomes hot.

6. Tighten the fuel tank cap carefully.
7. Clean fuel spillage on and around the product.
8. Move the product 3 m/10 ft or more away from the refueling area and fuel source before you start the engine.

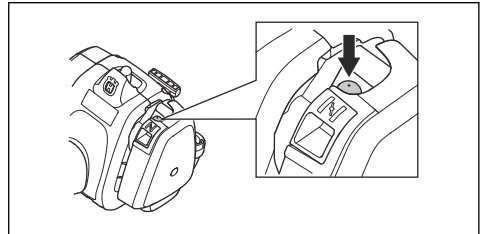
Note: To see where the fuel tank is on your product, refer to *Product overview on page 2*.

To examine before start

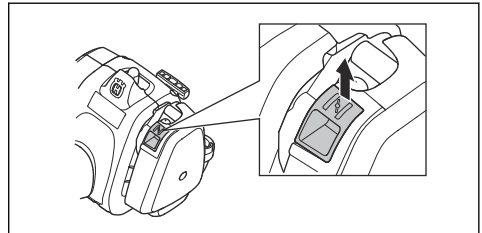
1. Make sure that the product has no missing, damaged, loose or worn parts.
2. Make sure that nuts, screws and bolts are tightened.
3. Make sure that the air filter is not clogged.
4. Make sure that the safety devices on the product operate correctly and are not damaged.
5. Make sure that the product has no fuel leaks.

To start a cold engine

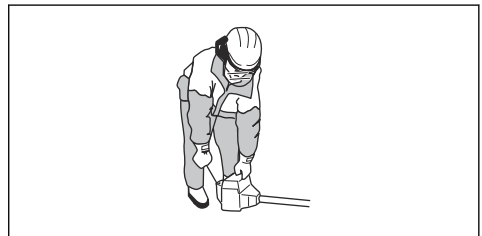
1. Push the air purge bulb 10 times.



2. Set the choke control in the choke position.



3. Hold the body of the product on the ground with your left hand.



CAUTION: Do not step on the product.

4. Pull the starter rope handle slowly with your right hand until you feel resistance. Then pull the starter rope handle quickly and with force until the engine starts or tries to start.



WARNING: Do not twist the starter rope around your hand.

5. Set the choke control in the operation position.
6. If the engine starts, push the throttle trigger lightly and let the engine run 60 seconds to become warm. If the engine does not start, pull the starter rope handle until the engine starts. Then push the throttle trigger lightly and let the engine run 60 seconds to become warm.



CAUTION: Do not pull the starter rope to full extension and do not let go of the starter rope handle. This can cause damage to the product. Release the starter rope slowly.

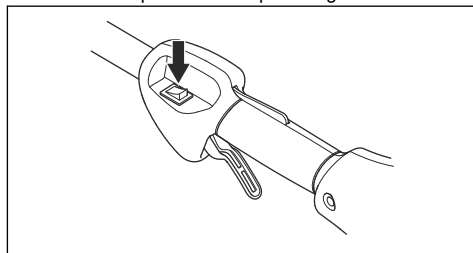
To start a warm engine

1. Push the air purge bulb 10 times.

2. Pull the starter rope until the engine starts.

To stop the product

- Push the stop switch to stop the engine.



Note: The stop switch automatically goes back to its initial position.

Maintenance

Introduction



WARNING: Before you do maintenance, you must read and understand the safety chapter.

For all servicing and repair work on the product, special training is necessary. We guarantee the availability of professional repairs and servicing. If your dealer is not a service agent, speak to them for information about the nearest service agent.

For more detailed information, refer to .

Maintenance schedule

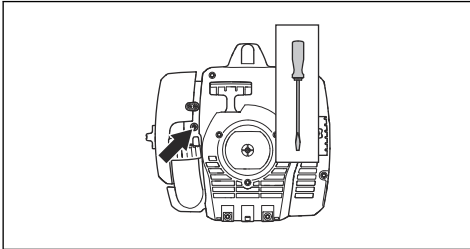
| Maintenance | Daily | Weekly | Monthly |
|--|-------|--------|---------|
| Clean the external surface. | X | | |
| Clean the air filter. Replace if it is necessary. | X | | |
| Examine the function of the throttle trigger lock and the throttle. | X | | |
| Examine the stop switch. | X | | |
| Examine the locknut. | X | | |
| Examine for fuel leaks. | X | | |
| Apply grease to the two-piece shaft. | | X | |
| Examine the starter rope handle and the starter rope. | | X | |
| Examine the bevel gear grease. | | X | |
| Clean the external surface of the spark plug. Remove the spark plug and measure the electrode gap. Adjust the electrode gap or replace the spark plug. | | X | |
| Clean the cooling system. | | X | |
| Clean or replace the spark arrestor screen on the muffler. | | X | |
| Clean the external surface of the carburetor and the area around it. | | X | |
| Examine the fuel filter for contamination. | | | X |

| Maintenance | Daily | Weekly | Monthly |
|--|-------|--------|---------|
| Examine the fuel hose for damage. | | | X |
| Examine all cables and connections. | | | X |
| Examine the clutch, the clutch springs and the clutch drum for wear. | | | X |
| Replace the spark plug. | | | X |

To adjust the idle speed

Make sure that the air filter is clean and the air filter cover is attached before you adjust the idle speed.

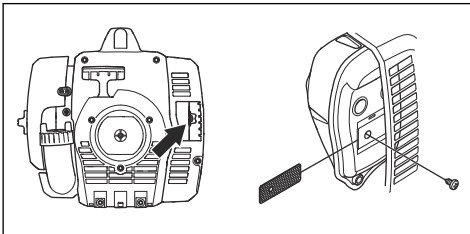
1. Turn the idle speed screw T, which is identified with a "T" mark, clockwise until the cutting attachment starts to rotate.



2. Turn the idle speed screw T, which is identified with a "T" mark, counterclockwise until the cutting attachment stops.
3. The idle speed must be below the speed when the cutting attachment starts to rotate. The idle speed is correct when the engine operates smoothly in all positions.

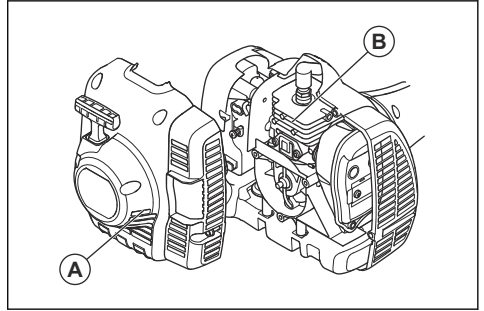
To do maintenance on the spark arrester screen

- Use a wire brush to clean the spark arrester screen.



To clean the cooling system

- Clean the air intake (A) on the starter and the cooling fins (B) on the cylinder with a brush.



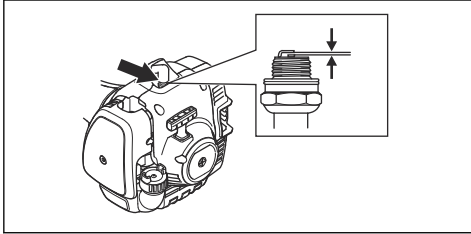
To examine the spark plug



CAUTION: Use the recommended spark plug. Make sure that the replacement is the same as the manufacturer supplied part. An incorrect spark plug can cause damage to the product. Make sure that the spark plug is installed with a suppressor. Speak to your servicing dealer for more information.

1. Examine the spark plug when:
 - a) the engine is low on power.
 - b) the engine is not easy to start.
 - c) the engine does not operate correctly at idle speed.
2. If, the engine is not easy to start or operate, examine the spark plug for unwanted materials. To decrease the risk of unwanted material on the spark plug electrodes:
 - a) make sure that the idle speed is correctly adjusted.
 - b) make sure that the fuel mixture is correct.
 - c) make sure that the air filter is clean.

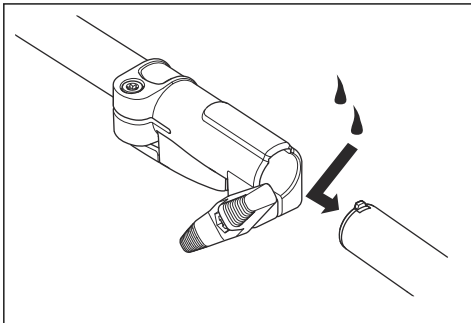
3. Clean the spark plug if it is dirty. Make sure that the electrode gap is correct. Refer to *Technical data on page 15*.



4. Replace the spark plug when it is necessary.

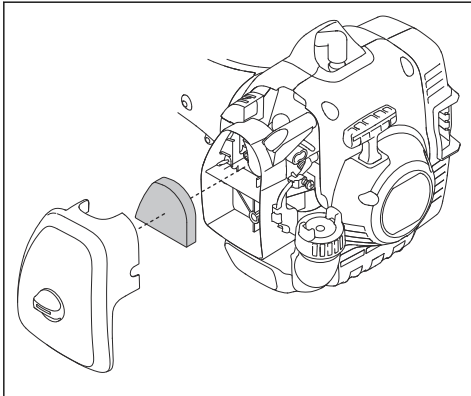
To apply grease to the two-piece shaft

- Apply grease to the end of the drive shaft after each 30 hours of operation.



To clean the air filter

1. Remove the air filter cover and remove the air filter.



2. Clean the air filter with warm soap water. Make sure that the air filter is dry before you install it.

3. Replace the air filter if it is too dirty to fully clean it. Always replace a damaged air filter.
4. If your product has a foam air filter, apply air filter oil. Only apply air filter oil to a foam filter. Do not apply oil to a felt filter.

To apply air filter oil to the air filter

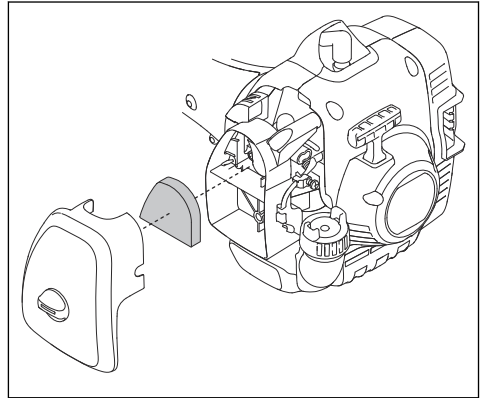


CAUTION: Always use special air filter oil on foam air filters. Do not use other types of oil.

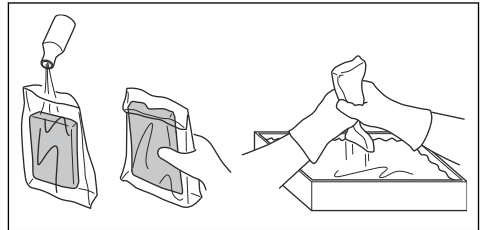


WARNING: Do not get oil on your body.

1. Remove the air filter cover and remove the air filter.



2. Put the air filter in a plastic bag.
3. Put the air filter oil in the plastic bag.



4. Push the plastic bag to make sure the oil supplies equally across the air filter.
5. Push on the air filter, while in the bag, to remove the air filter oil that is not necessary. Remove the air filter from the bag.
6. Install the air filter.

Troubleshooting

The engine does not start

| Check | Possible cause | Procedure |
|----------------|--|--|
| Starter pawls. | The starter pawls cannot move freely. | Remove the starter cover and clean around the starter pawls. |
| | | Let an approved servicing dealer help you. |
| Fuel tank. | Incorrect fuel type. | Drain the fuel tank and fill with correct fuel. |
| Spark plug. | The spark plug is dirty or wet. | Make sure that the spark plug is dry and clean. |
| | The spark plug electrode gap is incorrect. | Clean the spark plug. Make sure that the electrode gap is correct. Make sure that the spark plug has a suppressor. |
| | | Refer to <i>Technical data on page 15</i> for correct electrode gap. |
| | The spark plug is loose. | Tighten the spark plug. |

The engine starts but stops again

| Check | Possible cause | Procedure |
|------------|----------------------------|--|
| Fuel tank | Incorrect fuel type. | Empty the fuel tank and fill it with correct fuel. |
| Air filter | The air filter is clogged. | Clean the air filter. |

Transportation and storage

- Always allow the product to cool down before storage.
- For storage and transportation of the product and fuel, make sure that there are no leaks or fumes. Sparks or open flames, for example from electrical devices or boilers, can start a fire.
- Always use approved containers for storage and transportation of fuel.
- Empty the fuel before transportation or before long-term storage. Discard the fuel at an applicable disposal location.
- Remove the spark plug cap from the spark plug.
- Attach the product during transportation. Make sure that it cannot move.
- Clean and do servicing on the product before long-term storage.

Technical data

Technical data

| | 122LK together with approved accessories |
|--|--|
| Engine | |
| Cylinder displacement, cu.in/cm ³ | 1.32/21.7 |
| Idle speed, min ⁻¹ (rpm) | 2900 |
| Recommended max. speed, min ⁻¹ (rpm) | 7200 |
| Power / Max. engine output, acc. to ISO 8893, kW/hp @ min ⁻¹ (rpm) | 0.6/0.8 @ 7800 |
| Catalytic converter muffler | Yes |
| Speed-regulated ignition system | No |
| Emissions Durability Period, h. | 50 |
| Ignition system | |
| Spark plug | HQT-4 672201 |
| Electrode gap, inch/mm | 0.02/0.5 |
| Fuel system | |
| Fuel tank capacity, US Pint/l | 0.63/0.3 |
| Weight | |
| Weight without fuel, (Power unit only), lbs/kg | 8.77/3.98 |
| Noise levels ¹ | |
| Equivalent sound pressure level at the operator's ear, measured according to ISO 22868, dB(A): | 89-94 |
| Vibration levels ² | |
| Vibration levels at handles, measured according to ISO 22867, m/s ² | 3.9-6.8 |

Accessories

Attachments

| Approved attachments | Art No. | Use with |
|-----------------------------|--------------|----------|
| Edger attachment EAC308 | 970 70 01-01 | 122LK |
| Cultivator attachment CA230 | 967 29 42-01 | 122LK |

¹ Reported data for equivalent sound pressure level for the product has a typical statistical dispersion (standard deviation) of 1 dB (A).

² Reported data for equivalent vibration level has a typical statistical dispersion (standard deviation) of 1 m/s².

| Approved attachments | Art No. | Use with |
|--------------------------------|----------------|-----------------|
| Extension EX780 | 967 29 71-01 | 122LK |
| Hedge trimmer attachment HA322 | 970 65 71-01 | 122LK |
| Hedge trimmer attachment HA860 | 596 31 66-03 | 122LK |
| Pole saw attachment PA310 | 970 70 02-01 | 122LK |
| Pole saw attachment PA1100 | 537 18 33-28 | 122LK |
| Trimmer attachment TA320 | 970 71 55-01 | 122LK |

Contenido

| | | | |
|---------------------|----|----------------------------------|----|
| Introducción..... | 17 | Solución de problemas..... | 30 |
| Seguridad..... | 18 | Transporte y almacenamiento..... | 31 |
| Montaje..... | 23 | Datos técnicos..... | 31 |
| Funcionamiento..... | 24 | Accesorios..... | 32 |
| Mantenimiento..... | 27 | | |

Introducción

Descripción del producto

Husqvarna 122LK es una unidad de potencia con un motor de combustión.

Se realiza un trabajo constante para aumentar su seguridad y la eficiencia durante la operación. Póngase en contacto con su taller de servicio para obtener más información.

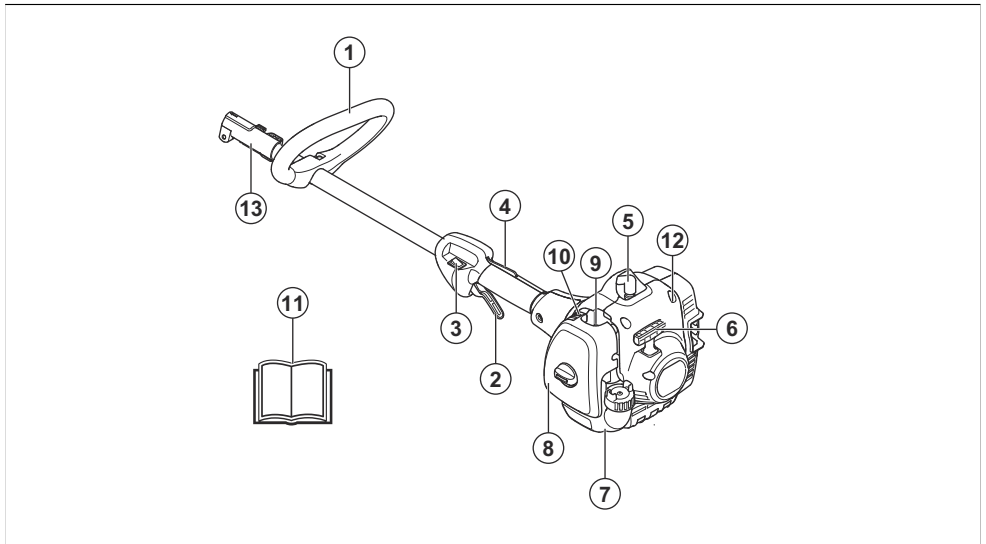
consulte *Accesorios en la página 32*. Asegúrese de leer este manual junto con el manual de accesorios homologados.

Tenga en cuenta: Las normativas nacionales pueden establecer un límite para el funcionamiento del producto.

Uso previsto

Esta unidad de potencia es una unidad independiente que solo funciona con accesorios homologados,

Descripción general del producto



- | | |
|--|--------------------------------------|
| 1. Mango cerrado | 8. Cubierta del filtro de aire |
| 2. Acelerador | 9. Bulbo de la purga de aire |
| 3. Interruptor de detención | 10. Estrangulador |
| 4. Bloqueo del acelerador | 11. Manual del usuario |
| 5. Sombbrero de bujía y bujía | 12. Cuerpo del mecanismo de arranque |
| 6. Empuñadura de la cuerda de arranque | 13. Acoplamiento de eje |
| 7. Depósito de combustible | |

Símbolos en el producto



ADVERTENCIA: Este producto es peligroso. El usuario o las personas que se encuentran cerca pueden sufrir lesiones o la muerte si el producto no se utiliza con cuidado y correctamente. Para evitar daños graves al usuario o a las personas que se encuentran cerca, lea y siga todas las instrucciones de seguridad del manual de usuario.



Lea atentamente el manual de instrucciones y asegúrese de que entiende las instrucciones antes de usar el producto.



Utilice un casco protector en lugares donde puedan caer objetos sobre usted. Use protección auricular aprobada. Use protección ocular aprobada.



Use guantes protectores homologados.



Use botas antideslizantes de servicio pesado.



Bulbo de la purga de aire.



Estrangulador.

aaaassxxx

En la placa de características, se muestra el número de serie. **aaaa** es el año de producción, **ss** es la semana de producción.

Tenga en cuenta: Otros símbolos o etiquetas del producto hacen referencia a requisitos de certificación para otras zonas comerciales.

EPA III

EMISSION CONTROL INFORMATION

 Husqvarna

THIS ENGINE MEETS US EPA EXH/EVP REGS FOR
EMISSIONS COMPLIANCE PERIOD:
HUSQVARNA AB HUSQVARNA SWEDEN.

El Período de cumplimiento de emisiones al que se hace referencia en la etiqueta de Cumplimiento de emisiones indica la cantidad de horas de funcionamiento en la que se ha demostrado que el motor cumple los requisitos de emisiones federales. El mantenimiento, reemplazo o reparación de los dispositivos y sistemas de control de emisiones puede realizarlo cualquier establecimiento o persona de que repare motores para uso fuera de carretera.

Asistencia al cliente

Para comunicarse con asistencia al cliente, llame al: 1-800-487-5951 o visite www.husqvarna.com.

Daños en el producto

No somos responsables de los daños a nuestro producto en los siguientes casos:

- el producto se repara incorrectamente
- el producto se repara con piezas que no son del fabricante o que este no autoriza
- el producto tiene un accesorio que no es del fabricante o que este no autoriza
- el producto no se repara en un centro de servicio autorizado o por una autoridad aprobada.

Seguridad

Definiciones de seguridad

Las advertencias, precauciones y notas se utilizan para señalar las piezas particularmente importantes del manual.



ADVERTENCIA: Se utilizan para señalar el riesgo de lesiones graves o mortales para el operador o para aquellos

que se encuentren cerca si no se siguen las instrucciones del manual.



AVISO: Se utilizan para señalar el riesgo de dañar la máquina, otros materiales o el área adyacente si no se siguen las instrucciones del manual.

Tenga en cuenta: Se utilizan para entregar más información necesaria en situaciones particulares.

Instrucciones generales de seguridad



ADVERTENCIA: Lea atentamente las instrucciones de advertencia siguientes antes de usar el producto.

- Utilice el producto correctamente. Las lesiones graves o fatales son un posible resultado de un uso incorrecto. Solo utilice el producto para las tareas que aparecen en este manual. No utilice el producto para otras tareas.
- Obedezca las instrucciones contenidas en este manual. Obedezca los símbolos y las instrucciones de seguridad. Si el usuario no obedece las instrucciones y los símbolos, es posible que se produzcan daños y lesiones tanto graves como fatales.
- No deseche este manual. Utilice las instrucciones para montar, operar y mantener el producto en buen estado. Utilice las instrucciones para la correcta instalación de piezas y accesorios. Utilice solamente piezas y accesorios homologados.
- No use un producto dañado. Cumpla con el programa de mantenimiento. Realice solamente las tareas de mantenimiento en las que se detallan instrucciones en este manual. Un centro de servicio autorizado debe realizar todos los demás trabajos de mantenimiento.
- En este manual no se pueden abarcar todas las situaciones que pueden ocurrir cuando se utiliza el producto. Tenga cuidado y use el sentido común. No haga funcionar el producto ni le realice mantenimiento si no está seguro de la situación. Hable con un experto en el producto, su distribuidor, el agente de servicio o un centro de servicio autorizado para obtener más información.
- Examine el producto diariamente en busca de daños importantes antes de cada operación o cuando el producto reciba impactos de otros objetos o se caiga al suelo. Consulte *Programa de mantenimiento en la página 27*.
- Desconecte el cable de la bujía antes de montar o almacenar el producto, o realizar tareas de mantenimiento.
- No utilice el producto si cambia su especificación inicial. No cambie una parte del producto sin la aprobación del fabricante. Utilice solo piezas aprobadas por el fabricante. Las lesiones graves o fatales son un posible resultado de un mantenimiento incorrecto.
- No respire los humos del motor. La inhalación prolongada de los gases de escape es un riesgo para la salud.
- No encienda el producto en interiores o cerca de materiales inflamables. Los gases de escape están

muy calientes y pueden crear incendios debido a la creación de chispas. Un flujo de aire insuficiente puede causar lesiones graves o fatales por asfixia o debido al monóxido de carbono.

- Cuando utilice este producto, el motor crea un campo electromagnético. El campo electromagnético puede causar daños a implantes médicos. Hable con su médico y fabricante del implante antes de utilizar el producto.
- No deje que un niño utilice el producto. No permita que una persona que no conozca las instrucciones utilice el producto.
- Asegúrese de supervisar siempre a una persona con capacidades físicas o mentales limitadas que utilice el producto. Debe haber un adulto responsable en todo momento.
- Mantenga el producto en un área a la cual los niños y las personas no autorizadas no puedan acceder.
- El producto puede expulsar objetos y causar lesiones. Siga las instrucciones de seguridad para reducir el riesgo de lesiones graves o fatales.
- No se aleje del producto cuando el motor esté en marcha.
- El operador del producto es responsable en caso de un accidente.
- Asegúrese de que las piezas no estén dañadas antes de utilizar el producto.
- Asegúrese de estar al menos a 15 m (50 pies) de distancia de otras personas o animales antes de utilizar el producto. Asegúrese de que las personas en el área adyacente sepan que utilizará el producto.
- Consulte las leyes locales o nacionales. Estas pueden evitar o disminuir el funcionamiento del producto en algunas condiciones.
- No utilice el producto si está cansado, enfermo o bajo la influencia de alcohol, drogas o medicamentos. Pueden tener efectos sobre su visión, estado de alerta, coordinación o criterio.

Instrucciones de seguridad para el montaje



ADVERTENCIA: Lea atentamente las instrucciones de advertencia siguientes antes de usar el producto.

- Retire el sombrerete de bujía de la bujía antes de montar el producto.
- Use guantes protectores homologados.
- Antes de arrancar el motor, asegúrese de montar la cubierta y el eje de forma adecuada.

Instrucciones de seguridad para el funcionamiento

- Asegúrese de que el producto esté completamente montado antes de usarlo.

- Antes de comenzar, mueva el producto 3 m (10 pies) de distancia desde la posición donde llenó el depósito de combustible. Coloque el producto sobre una superficie plana. Asegúrese de que el equipo de corte no toque el suelo u otros objetos.
- El producto puede provocar que los objetos salgan expulsados, lo que puede causar daños a los ojos. Use siempre protección ocular autorizada cuando utilice el producto.
- Tenga cuidado, un niño puede acercarse al producto sin que lo note mientras se encuentra en funcionamiento.
- No utilice el producto si hay personas en el área de trabajo. Detenga el producto si una persona entra al área de trabajo.
- Asegúrese de estar siempre en control del producto. Asegúrese de cambiar las posiciones de funcionamiento y tomar descansos planificados durante el uso del producto.
- No utilice el producto si no puede recibir ayuda en caso de un accidente. Asegúrese siempre de que los demás sepan que va a utilizar el producto antes de comenzar a utilizarlo.
- No gire con el producto sin asegurarse de que no haya personas ni animales en la zona de seguridad.
- Retire todos los materiales no deseados del área de trabajo antes de empezar. Si el equipo de corte choca contra un objeto, el objeto se puede expulsar y causar lesiones o daños. El material no deseado puede enredarse en el equipo de corte y causar daños.
- No utilice el producto en malas condiciones climáticas (niebla, lluvia, vientos fuertes, riesgo de rayos u otros tipos de condiciones climáticas). Las condiciones peligrosas (como superficies resbaladizas) se pueden producir debido al mal clima.
- Asegúrese de poder moverse libremente y trabajar en una posición estable.



- Utilice el producto con el equipo de corte por debajo de la cintura.
- Si el estrangulador está en la posición de estrangulamiento cuando el motor arranca, el equipo de corte comienza a girar.
- No toque el engranaje angulado después de que se detenga el motor. El engranaje angulado está caliente después de que el motor se detiene. Las áreas calientes pueden causar lesiones.
- Detenga el motor antes de mover el producto.
- No deje el producto en el suelo con el motor encendido.
- Antes de eliminar el material no deseado del producto, detenga el motor y espere hasta que el equipo de corte se detenga. Deje que el equipo de corte se detenga antes de que usted o un ayudante quiten el material de corte.
- La sobreexposición a las vibraciones puede producir daños circulatorios como la enfermedad del dedo blanco o daños en los nervios en personas que padecen de trastornos circulatorios. Comuníquese con su médico si experimenta síntomas de la sobreexposición a las vibraciones. Estos síntomas incluyen entumecimiento, pérdida de sensibilidad, hormigueo, ardor, dolor, pérdida de fuerza y cambios en el color o el estado de la piel. Normalmente, estos síntomas se presentan en los dedos, manos o muñecas.



- Asegúrese de no correr riesgos de caídas cuando utilice el producto. No se incline cuando utilice el producto.
- Siempre sostenga el producto con las dos manos. Mantenga el producto en el lado derecho de su cuerpo.

Equipo de protección personal



ADVERTENCIA: Lea atentamente las instrucciones de advertencia siguientes antes de usar el producto.

- Utilice siempre el equipo de protección personal adecuado cuando use el producto. El equipo de protección personal no puede impedir el riesgo de lesiones, pero disminuirá el grado de lesión si ocurre un accidente. Permita que su distribuidor lo ayude seleccionar el equipo adecuado.
- Utilice un casco protector cuando exista el riesgo de caída de objetos.
- Utilice protectores auriculares aprobados que proporcionen una reducción de ruido adecuada. La exposición prolongada al ruido puede causar la pérdida permanente de la audición.
- Use protección ocular aprobada. Si utiliza un visor, también debe usar gafas protectoras homologadas.

Las gafas protectoras homologadas deben cumplir con la norma ANSI Z87.1 de EE. UU. o EN 166 para países de la UE.

- Utilice un visor para proteger el rostro. El visor no es suficiente para proteger los ojos.



- Utilice guantes cuando sea necesario, por ejemplo, cuando conecte, examine o limpie el equipo de corte. Los guantes también ayudan a prevenir daños circulatorios o de los nervios de la mano y los dedos causados por la vibración.
- Utilice botas resistentes antideslizantes.
- Utilice ropa de material resistente. Use siempre pantalones largos y gruesos, y mangas largas. Evite usar ropas holgadas que se puedan enganchar con ramas. No trabaje con joyas, pantalones cortos, sandalias ni con los pies descalzos. Asegure su cabello por encima del nivel de los hombros.



- Mantenga un equipo de primeros auxilios a mano.



Dispositivos de seguridad en el producto

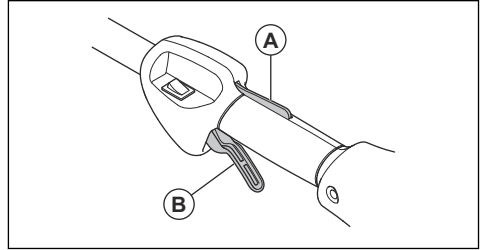


ADVERTENCIA: Lea atentamente las instrucciones de advertencia siguientes antes de usar el producto.

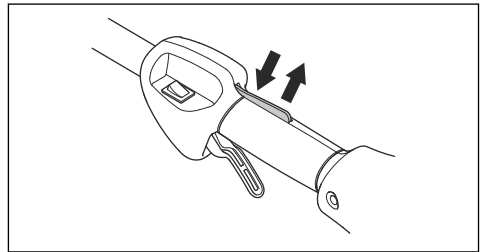
- No utilice un producto con dispositivos de seguridad dañados o que no funcionen correctamente.
- Revise los dispositivos de seguridad de forma regular. Consulte *Programa de mantenimiento en la página 27*.
- Si los dispositivos de seguridad están dañados o no funcionan correctamente, hable con su distribuidor de servicio de Husqvarna.

Comprobación del fiador del acelerador

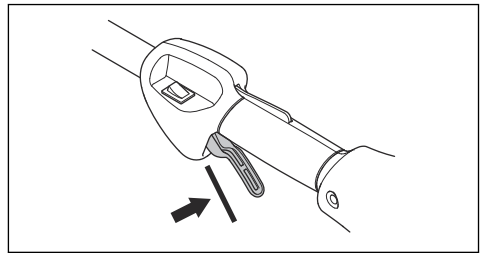
1. Asegúrese de que el bloqueo del acelerador (A) y el acelerador (B) se muevan libremente y que el muelle de retorno funcione de manera correcta.



2. Presione el bloqueo del acelerador hacia abajo y asegúrese de que vuelva a su posición inicial cuando lo suelte.



3. Asegúrese de que el acelerador esté bloqueado en la posición de ralentí cuando el bloqueo del acelerador esté liberado.



4. Encienda el producto y aplique la aceleración máxima.
5. Suelte el acelerador y asegúrese de que las hojas se detengan y permanezcan inmóviles.

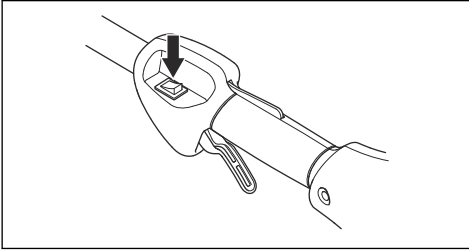


ADVERTENCIA: Si las hojas se mueven cuando el acelerador está en la posición de ralentí, se debe ajustar el régimen de ralentí del carburador. Consulte *Para ajustar el régimen de ralentí en la página 28*.

Para comprobar el interruptor de detención

1. Arranque el motor.

2. Mueva el interruptor de detención a la posición de detención y asegúrese de que el motor se detenga.



Silenciador

- No utilice un motor con un silenciador dañado. Un silenciador dañado aumenta el nivel de ruido y el riesgo de incendio. Mantenga un extintor de incendios cerca.
- Examine frecuentemente que el silenciador esté unido al producto.
- No toque el motor o el silenciador cuando el motor esté en marcha. No toque el motor o el silenciador por un tiempo después de que el motor se detenga. Las superficies calientes pueden causar lesiones.
- Un silenciador caliente puede provocar un incendio. Tenga cuidado si utiliza el producto cerca de líquidos inflamables o gases.
- No toque las piezas del silenciador si el silenciador está dañado. Las piezas pueden contener algunos productos químicos cancerígenos.

Seguridad de combustible



ADVERTENCIA: Lea atentamente las instrucciones de advertencia siguientes antes de usar el producto.

- No mezcle el combustible en interiores o cerca de una fuente de calor.
- No arranque el producto si hay combustible o aceite de motor en el producto. Quite el combustible o aceite no deseado y deje secar el producto. Quite el combustible no deseado del producto.
- Si derrama combustible en su ropa, cámbiese la ropa inmediatamente.
- No permita que le caiga combustible en el cuerpo, ya que puede causar lesiones. Si le cae combustible en el cuerpo, utilice jabón y agua para quitarlo.
- No arranque el motor si derrama aceite o combustible en el producto o en su cuerpo.
- No arranque el producto si el motor tiene una fuga. Examine frecuentemente el motor en busca de fugas.
- Tenga cuidado con el combustible. El combustible es inflamable y los gases son explosivos y pueden causar lesiones graves o fatales.

- No respire los gases del combustible, ya que pueden causar lesiones. Asegúrese de que haya suficiente flujo de aire.
- No fume cerca del combustible o del motor.
- No coloque objetos calientes cerca del combustible o del motor.
- No agregue combustible cuando el motor esté en marcha.
- Asegúrese de que el motor se enfríe antes de llenar el depósito de combustible.
- Antes de llenar el depósito de combustible, abra lentamente la tapa del depósito de combustible y libere la presión con cuidado.
- Asegúrese de que haya suficiente flujo de aire cuando recargue y mezcle combustible (gasolina y aceite para motores de dos tiempos) o cuando vacíe el depósito de combustible.
- El combustible y sus gases son altamente inflamables y pueden causar lesiones graves si se inhalan o entran en contacto con la piel. Por esta razón, tenga precaución al manipular el combustible y asegúrese de que haya suficiente ventilación.
- Apriete la tapa del depósito de combustible con cuidado para evitar incendios.
- Mueva el producto a un mínimo de 3 m (10 pies) de la posición en la que se llenó el depósito antes de empezar.
- No ponga demasiado combustible en el depósito de combustible.
- Asegúrese de que no se puedan provocar fugas cuando mueva el producto o el recipiente de combustible.
- No coloque el producto ni un recipiente de combustible donde haya una llama expuesta, una chispa o una fuente de calor. Asegúrese de que no haya una llama expuesta en el área de almacenamiento.
- Utilice solamente contenedores aprobados cuando mueva el combustible o coloque el combustible en el almacenamiento.
- Vacíe el depósito de combustible antes de un almacenamiento a largo plazo. Cumpla con las leyes locales en cuanto al lugar en dónde se puede deshacer del combustible.
- Limpie el producto antes de un almacenamiento a largo plazo.
- Retire el sombrero de bujía antes de almacenar el producto para asegurarse de que el motor no arranque accidentalmente.

Instrucciones de seguridad para el mantenimiento



ADVERTENCIA: Lea atentamente las instrucciones de advertencia siguientes antes de usar el producto.

- Detenga el motor, asegúrese de que el equipo de corte se detenga y deje que se enfríe antes de realizar el mantenimiento.
- Desconecte el sombrerete de bujía antes de realizar el mantenimiento.
- Los gases de escape del motor contienen monóxido de carbono, un gas inodoro, tóxico y muy peligroso que puede causar la muerte. No arranque el producto en interiores o en espacios cerrados.
- Los gases de escape del motor están calientes y pueden contener chispas. No encienda el producto en interiores ni cerca de materiales inflamables.
- Accesorios y modificaciones en el producto que no estén aprobados por el fabricante pueden causar lesiones graves o la muerte. No modifique el producto. Siempre utilice accesorios originales.
- Si el mantenimiento no se realiza de manera correcta y regular, aumenta el riesgo de que se produzcan lesiones y que el producto se dañe.
- Solo realice mantenimiento según lo que se indica en este manual de usuario. Solicite que un Husqvarna taller de servicio realice todos los otros servicios.
- Permita que un taller de servicio Husqvarna aprobado realice trabajos de mantenimiento en el producto con regularidad.
- Cambie las piezas dañadas, desgastadas o rotas.

Montaje

Introducción



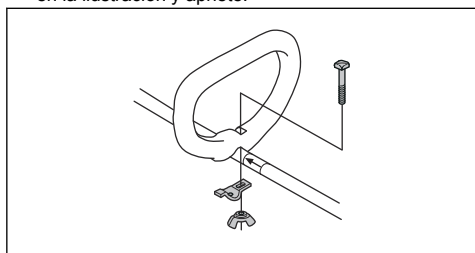
ADVERTENCIA: Antes de montar el producto, debe leer y entender el contenido del capítulo sobre seguridad.



ADVERTENCIA: Retire el cable de la bujía de la bujía antes de montar el producto.

Para conectar el mango cerrado

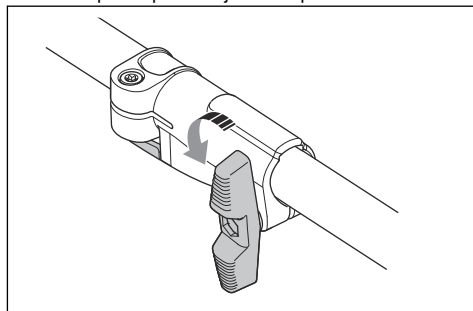
1. Conecte el mango cerrado al eje como se muestra en la ilustración y apriete.



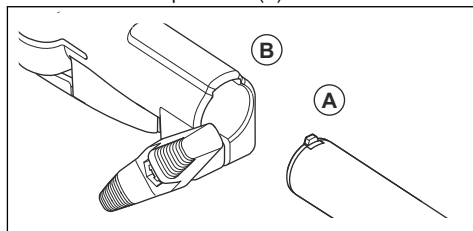
2. Asegúrese de que el mango cerrado esté conectado antes de la fecha en el eje.

Montaje del eje de dos piezas

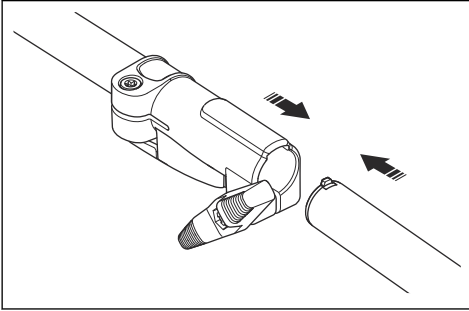
1. Gire la perilla para aflojar el acoplamiento.



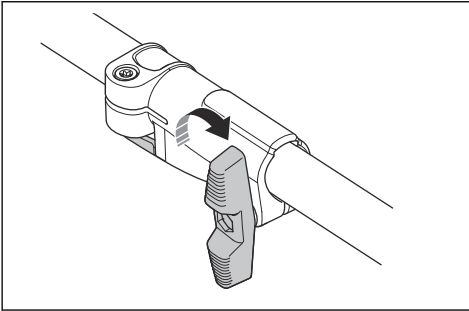
2. Alinee la lengüeta del equipo de corte (A) con la ranura en el acoplamiento (B).



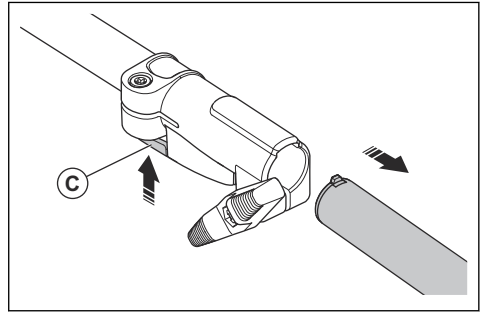
3. Empuje cuidadosamente el eje en el acoplamiento hasta que se escuche un clic.



4. Apriete la perilla hasta el final.

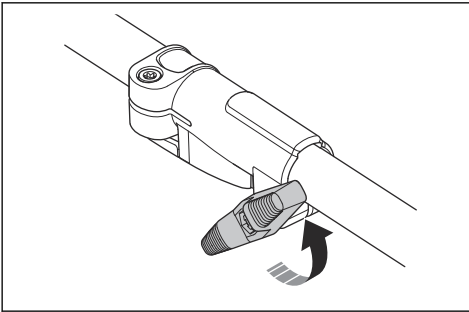


2. Mantenga presionado el botón (C).
3. Apriete fuertemente hacia el extremo del eje al que está conectado el motor.
4. Tire del accesorio para sacarlo del acoplamiento.



Para desmontar el eje de dos piezas

1. Gire la perilla unas 3 vueltas o más para aflojar el acoplamiento.



Funcionamiento

Introducción



ADVERTENCIA: Antes de utilizar el producto, debe leer y entender el capítulo sobre seguridad.

Combustible

Este producto tiene un motor de dos tiempos.



AVISO: Usar el tipo incorrecto de combustible puede causar daños en el motor. Utilice una mezcla de gasolina y de aceite para motores de dos tiempos.

Combustible premezclado

- Utilice combustible de alquilate premezclado Husqvarna para obtener el mejor rendimiento y prolongar la vida útil del motor. Este combustible contiene menos químicos dañinos en comparación con el combustible normal, lo cual disminuye los gases de escape dañinos. La cantidad de restos después de la combustión es menor con este combustible, que mantiene más limpios los componentes del motor.

Para mezclar combustible

Gasolina

- Utilice gasolina sin plomo de buena calidad con un contenido máximo de un 10 % de etanol.



AVISO: No utilice gasolina con un octanaje inferior a 90 RON/87 AKI. El uso de gasolina de octanaje inferior puede causar el golpeo del motor, lo que provoca daños en el motor.

Aceite para motores de dos tiempos

- Para obtener los mejores resultados y el mejor rendimiento, utilice aceite para motores de dos tiempos Husqvarna.
- Si el aceite para motores de dos tiempos Husqvarna no está disponible, utilice un aceite para motores de dos tiempos de buena calidad para motores enfriados por aire. Contáctese con su concesionario de servicio para seleccionar el aceite correcto.



AVISO: No utilice aceite para motores de dos tiempos para motores fueraborda refrigerados por agua, también conocido como aceite para fueraborda. No utilice aceite para motores de cuatro tiempos.

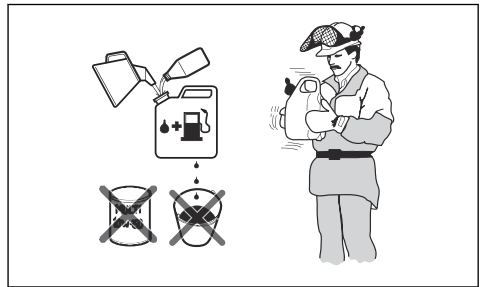
Para mezclar gasolina y aceite para motores de dos tiempos

| Gasolina, litros | Aceite para motores de dos tiempos, litro |
|------------------|---|
| | 2 % (50:1) |
| 5 | 0,10 |
| 10 | 0,20 |
| 15 | 0,30 |
| 20 | 0,40 |

| Galón estadounidense | Onza líquida EE. UU. |
|----------------------|----------------------|
| 1 | 2 ½ |
| 2 1/2 | 6 ½ |
| 5 | 12 ¾ |



AVISO: Los errores pequeños pueden influir drásticamente en la proporción de la mezcla cuando se mezclan cantidades pequeñas de combustible. Mida cuidadosamente la cantidad de aceite y asegúrese de obtener la mezcla correcta.



- Llene la mitad de la cantidad de gasolina en un recipiente limpio para combustible.
- Agregue la cantidad total de aceite.
- Agite la mezcla de combustible.
- Agregue la cantidad restante de gasolina al recipiente.
- Agite cuidadosamente la mezcla de combustible.



AVISO: No mezcle el combustible durante más de 1 mes cada vez.

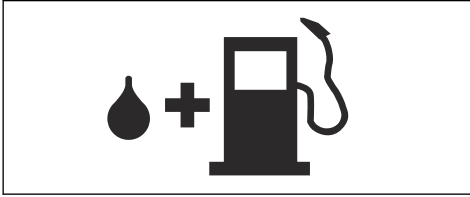
Para llenar el depósito de combustible



ADVERTENCIA: Para su seguridad, siga el procedimiento que se indica a continuación.

- Detenga el motor y deje que se enfríe.

2. Limpie el área alrededor del tapón del depósito de combustible.



3. Agite el recipiente y asegúrese de que el combustible esté totalmente mezclado.
4. Retire lentamente la tapa del depósito de combustible para liberar la presión.
5. Llene el depósito de combustible.



AVISO: Asegúrese de que el depósito de combustible no esté demasiado lleno. El combustible se expande cuando se calienta.

6. Apriete bien la tapa del depósito de combustible cuidadosamente.
7. Limpie los derrames de combustible en el producto y los alrededores.
8. Antes de arrancarlo, aleje el producto 3 m/10' o más del área de recarga de combustible y de la fuente de combustible.

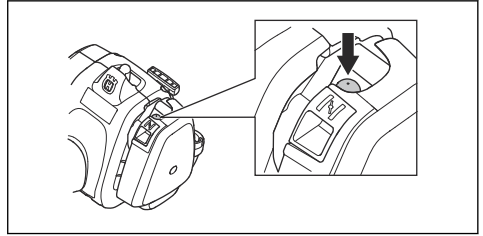
Tenga en cuenta: Para conocer la ubicación del depósito de combustible en el producto, consulte *Descripción general del producto en la página 17*.

Qué se debe examinar antes de comenzar

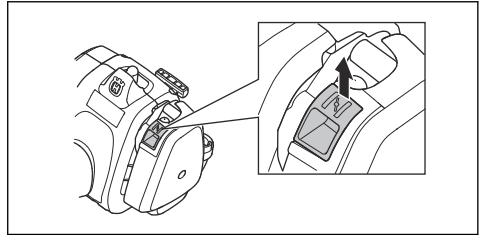
1. Asegúrese de que al producto no le falten piezas ni que tenga piezas dañadas, flojas o desgastadas.
2. Asegúrese de que las tuercas, los pernos y los tornillos estén apretados.
3. Asegúrese de que el filtro de aire no esté obstruido.
4. Asegúrese de que los dispositivos de seguridad del producto funcionen correctamente y no estén defectuosos.
5. Asegúrese de que el producto no presente fugas de combustible.

Para arrancar un motor frío

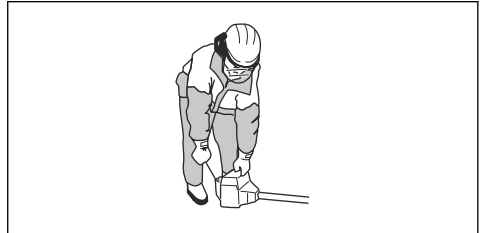
1. Presione el bulbo de la bomba de combustible de aire 10 veces.



2. Establezca el estrangulador en la posición de estrangulamiento.



3. Mantenga el cuerpo del producto en el suelo con la mano izquierda.



AVISO: No se pare sobre el producto.

4. Tire lentamente la empuñadura de la cuerda de arranque con la mano derecha hasta que sienta resistencia. A continuación, tire de la empuñadura de la cuerda de arranque rápidamente y con fuerza hasta que el motor arranque o lo intente.



ADVERTENCIA: No se enrolle la cuerda de arranque en la mano.

5. Establezca el estrangulador en la posición de funcionamiento.

- Si el motor arranca, presione ligeramente el bloqueo del acelerador y deje que el motor funcione durante 60 segundos para calentarse. Si el motor no arranca, tire de la empuñadura de la cuerda de arranque hasta que arranque. A continuación, presione ligeramente el bloqueo del acelerador y deje que el motor funcione durante 60 segundos para calentarse.



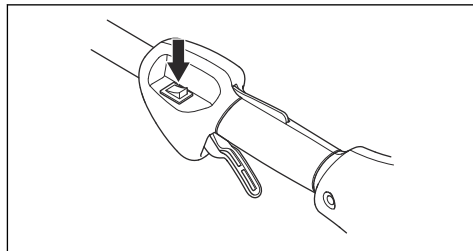
AVISO: No tire la cuerda de arranque en toda su extensión y no suelte la empuñadura de la cuerda de arranque. Esto puede provocar daños al producto. Suelte la cuerda de arranque lentamente.

Para arrancar un motor caliente

- Presione el bulbo de la bomba de combustible de aire 10 veces.
- Tire de la cuerda de arranque hasta que el motor arranque.

Para detener el producto

- Presione el interruptor de detención para detener el motor.



Tenga en cuenta: El interruptor de detención regresa automáticamente a su posición inicial.

Mantenimiento

Presentación



ADVERTENCIA: Antes de realizar el mantenimiento, debe leer y entender el capítulo sobre seguridad.

especial. Garantizamos la disponibilidad de trabajos de mantenimiento y reparación profesionales. Si el concesionario no cuenta con un taller de servicio, pídales información acerca del taller de servicio más cercano.

Para obtener información más detallada, consulte .

Para todos los trabajos de mantenimiento y reparación del producto, se requiere capacitación

Programa de mantenimiento

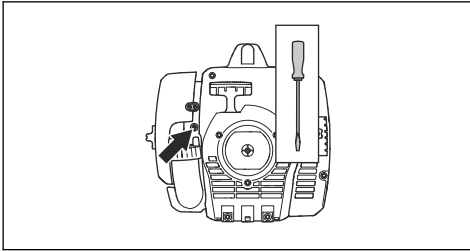
| Mantenimiento | A diario | Una vez por semana | Una vez al mes |
|--|----------|--------------------|----------------|
| Limpie la superficie externa. | X | | |
| Limpie el filtro de aire. Reemplácelos si es necesario. | X | | |
| Examine el funcionamiento del bloqueador del acelerador y del acelerador. | X | | |
| Examine el interruptor de detención. | X | | |
| Examine la contratuerca. | X | | |
| Revise si hay fugas de combustible. | X | | |
| Aplique grasa al eje de dos piezas. | | X | |
| Examine la empuñadura de la cuerda de arranque y la cuerda de arranque. | | X | |
| Examine la grasa del engranaje angulado. | | X | |
| Limpie la superficie exterior de la bujía. Retire la bujía y mida la distancia entre los electrodos. Ajuste la distancia entre los electrodos o cambie la bujía. | | X | |
| Limpie el sistema refrigerante. | | X | |

| Mantenimiento | A diario | Una vez por semana | Una vez al mes |
|--|----------|--------------------|----------------|
| Limpie o cambie la rejilla apagachispas del silenciador. | | X | |
| Limpie la superficie exterior del carburador y el espacio que lo rodea. | | X | |
| Examine el filtro de combustible en busca de contaminación. | | | X |
| Examine la manguera de combustible en busca de daños. | | | X |
| Examine todos los cables y conexiones. | | | X |
| Revise si el embrague, los muelles de embrague y el tambor de embrague presentan desgaste. | | | X |
| Reemplace la bujía. | | | X |

Para ajustar el régimen de ralentí

Asegúrese de que el filtro de aire esté limpio y que la cubierta del filtro de aire esté instalada antes de ajustar el régimen de ralentí.

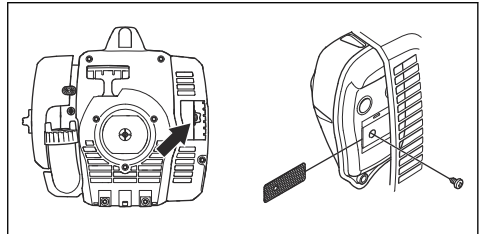
1. Gire el tornillo de ajuste de régimen de ralentí, identificado con una marca "T", en el sentido de las agujas del reloj hasta que el equipo de corte comience a girar.



2. Gire el tornillo de ajuste de régimen de ralentí, identificado con una marca "T", en el sentido contrario de las agujas del reloj hasta que el equipo de corte se detenga.
3. El régimen de ralentí debe ser inferior a la velocidad cuando el equipo de corte empieza a girar. El régimen de ralentí es el correcto cuando el motor funciona correctamente en todas las posiciones.

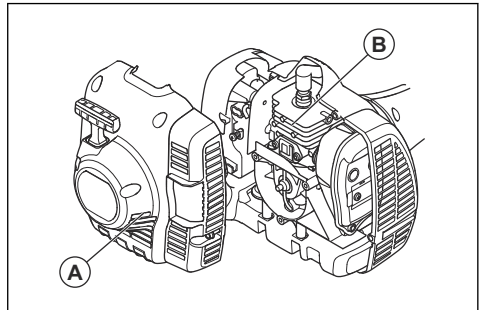
Para realizar tareas de mantenimiento en la rejilla apagachispas

- Use un cepillo de alambre para limpiar la rejilla apagachispas.



Para limpiar el sistema de refrigeración

- Limpie la toma de aire (A) en el mecanismo de arranque y las aletas de refrigeración (B) en el cilindro con un cepillo.



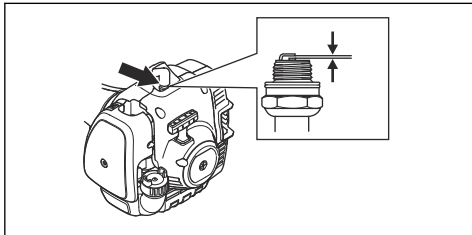
Para examinar la bujía



AVISO: Utilice la bujía recomendada. Asegúrese de que la pieza de reemplazo sea la misma que la que proporcione el fabricante. Una bujía incorrecta puede causar daños al producto. Asegúrese de

que la bujía esté instalada con un supresor. Póngase en contacto con su taller de servicio para obtener más información.

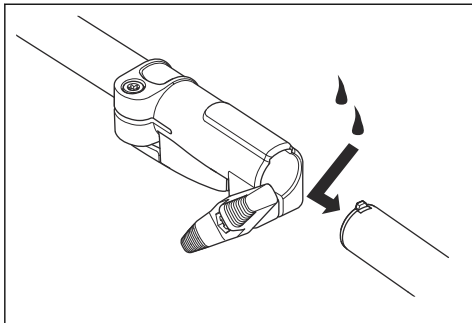
1. Examine la bujía cuando:
 - a) el motor tenga poca potencia.
 - b) el motor no arranque fácilmente.
 - c) el motor no funcione correctamente a régimen de ralentí.
2. Si el motor no arranca o funciona fácilmente, examine la bujía en busca de materiales no deseados. Para disminuir el riesgo de material no deseado en los electrodos de la bujía:
 - a) asegúrese de que el régimen de ralentí esté ajustado correctamente.
 - b) asegúrese de que la mezcla de combustible es la correcta.
 - c) asegúrese de que el filtro de aire esté limpio.
3. Limpie la bujía si está sucia. Asegúrese de que la distancia entre los electrodos sea la correcta. Consulte *Datos técnicos en la página 31*.



4. Reemplace la bujía cuando sea necesario.

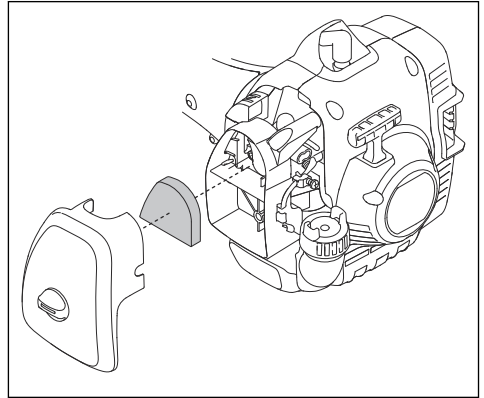
Aplique grasa al eje de dos piezas

- Aplique grasa al extremo del eje propulsor cada 30 horas de funcionamiento.



Para limpiar el filtro de aire

1. Quite la cubierta del filtro de aire y retire el filtro de aire.



2. Limpie el filtro de aire con agua jabonosa caliente. Asegúrese de que el filtro de aire esté seco antes de instalarlo.
3. Reemplace el filtro de aire si está demasiado sucio para limpiarlo completamente. Siempre reemplace un filtro de aire dañado.
4. Si su producto tiene un filtro de aire de espuma, aplique aceite del filtro de aire. Solo aplique aceite del filtro de aire a un filtro de espuma. No aplique aceite a un filtro de fieltro.

Para aplicar aceite del filtro de aire al filtro de aire

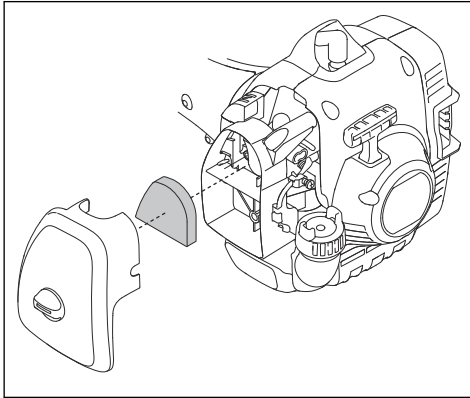


AVISO: Utilice siempre un aceite especial de filtros de aire en los filtros de aire de espuma. No utilice otros tipos de aceite.



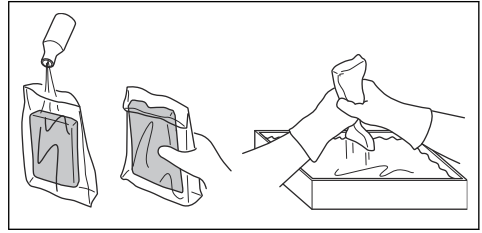
ADVERTENCIA: Evite que le caiga aceite en el cuerpo.

1. Quite la cubierta del filtro de aire y retire el filtro de aire.



2. Coloque el filtro de aire en una bolsa de plástico.

3. Coloque el aceite del filtro de aire en una bolsa de plástico.



4. Empuje la bolsa de plástico para asegurarse de que el aceite se distribuya equitativamente en el filtro de aire.

5. Presione el filtro de aire, mientras se encuentra en la bolsa, para quitar el aceite que no sea necesario. Saque el filtro de aire de la bolsa.

6. Instale el filtro de aire.

Solución de problemas

El motor no arranca

| Verificar | Causa posible | Procedimiento |
|-------------------------|--|---|
| Ganchos de arranque | Los ganchos de arranque no se pueden mover libremente. | Retire la cubierta del arranque y limpie alrededor de los ganchos de arranque. |
| | | Permita que lo ayude un taller de servicio aprobado. |
| Depósito de combustible | Tipo de combustible incorrecto | Vacíe el depósito de combustible y llénelo con combustible correcto. |
| Bujía | La bujía está sucia o mojada. | Asegúrese de que la bujía esté limpia y seca. |
| | La distancia entre los electrodos de la bujía es incorrecta. | Limpie la bujía. Asegúrese de que la distancia entre los electrodos sea la correcta. Asegúrese de que la bujía está equipada con un supresor. |
| | La bujía está floja. | Consulte <i>Datos técnicos en la página 31</i> para conocer la distancia correcta entre los electrodos. Ajuste la bujía. |

El motor arranca, pero se detiene de nuevo.

| Verificar | Causa posible | Procedimiento |
|-------------------------|--------------------------------|---|
| Depósito de combustible | Tipo de combustible incorrecto | Vacíe el depósito de combustible y rellénelo con el combustible correcto. |

| Verificar | Causa posible | Procedimiento |
|----------------|-----------------------------------|---------------------------|
| Filtro de aire | El filtro de aire está obstruido. | Limpie el filtro de aire. |

Transporte y almacenamiento

- Siempre deje que el producto se enfríe antes de guardarlo.
- Para el almacenamiento y el transporte del producto y del combustible, asegúrese de que no haya fugas o vapores. Las chispas o llamas, por ejemplo, de dispositivos eléctricos o calderas, pueden iniciar un incendio.
- Siempre use contenedores aprobados para el almacenamiento y el transporte del combustible.
- Vacíe el combustible antes de un almacenamiento prolongado. Deseche el combustible en un lugar adecuado para tal propósito.
- Quite el sombrerete de bujía de la bujía.
- Fije el producto durante el transporte. Asegúrese de que no se mueva.
- Limpie y realice mantenimiento en el producto antes de almacenarlo durante un período prolongado.

Datos técnicos

Datos técnicos

| | 122LK together with approved accessories |
|---|--|
| Motor | |
| Cilindrada, in ³ /cm ³ | 21,7/1,32 |
| Régimen de ralentí, mín. ⁻¹ (rpm) | 2900 |
| Velocidad máxima recomendada, mín. ⁻¹ (rpm) | 7200 |
| Potencia / alimentación máx. del motor, según la norma ISO 8893, kW/hp a mín. ⁻¹ (rpm) | 0,6/0,8 a 7800 |
| Silenciador con catalizador | Sí |
| Sistema de encendido con velocidad regulada | No |
| Período de durabilidad de las emisiones, h. | 50 |
| Sistema de encendido | |
| Bujía | HQT-4 672201 |
| Distancia entre los electrodos, in/mm | 0,02/0,5 |
| Sistema de combustible | |
| Capacidad del depósito de combustible, l/pinta EE. UU. | 0,63/0,3 |
| Peso | |
| Peso sin combustible (solo unidad de potencia), lb/kg | 8,77/3,98 |
| Niveles acústicos ³ | |

³ Los datos informados para el nivel de presión acústica equivalente del producto tienen una dispersión estadística típica (desviación estándar) de 1 dB (A).

| | |
|---|---|
| | 122LK together with approved accessories |
| Nivel de presión acústica equivalente en el oído del operador, medido según las normas ISO 22868, dB (A): | 89-94 |
| Niveles de vibración ⁴ | |
| Niveles de vibración en los mangos, medidos según la norma ISO 22867, m/s ² | 3,9-6,8 |

Accesorios

Accesorios

| Accesorios homologados | Número de artículo | Usar con |
|---|---------------------------|-----------------|
| Accesorio de rebordeadora EAC308 | 970 70 01-01 | 122LK |
| Accesorio de cultivadora CA230 | 967 29 42-01 | 122LK |
| Extensión EX780 | 967 29 71-01 | 122LK |
| Accesorio de cortasetos HA322 | 970 65 71-01 | 122LK |
| Accesorio de cortasetos HA860 | 596 31 66-03 | 122LK |
| Accesorio de la motosierra de poda PA310 | 970 70 02-01 | 122LK |
| Accesorio de la motosierra de poda PA1100 | 537 18 33-28 | 122LK |
| Accesorio de recorte TA320 | 970 71 55-01 | 122LK |

⁴ Los datos informados para el nivel de vibración equivalente tienen una dispersión estadística típica (desviación estándar) de 1 m/s².

Table des matières

| | | | |
|---------------------|----|----------------------------------|----|
| Introduction..... | 33 | Dépannage..... | 46 |
| Sécurité..... | 34 | Transport et entreposage..... | 46 |
| Montage..... | 39 | Caractéristiques techniques..... | 47 |
| Fonctionnement..... | 40 | Accessoires..... | 48 |
| Entretien..... | 43 | | |

Introduction

Description du produit

Husqvarna 122LK est une unité de puissance dotée d'un moteur à combustion.

Le travail est constamment en cours pour augmenter votre sécurité et l'efficacité pendant l'utilisation. Pour obtenir de plus amples renseignements, communiquer avec votre centre de services.

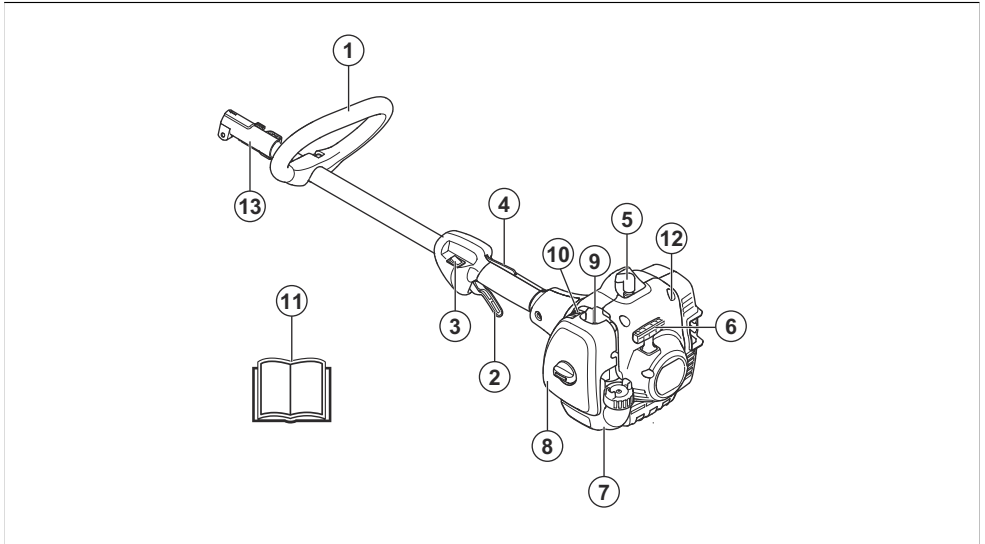
référer à *Accessoires à la page 48*. S'assurer de lire ce manuel et le manuel de l'accessoire homologué.

Remarque : Les réglementations nationales peuvent limiter l'utilisation du produit.

Utilisation prévue

Cette unité électrique est une unité de base qui ne fonctionne qu'avec des accessoires homologués. Se

Présentation de l'appareil



- | | |
|--|------------------------------|
| 1. Poignée en boucle | 8. Couvercle de filtre à air |
| 2. Gâchette d'accélération | 9. Pompe de purge d'air |
| 3. Bouton d'arrêt | 10. Commande de l'étrangleur |
| 4. Blocage de la gâchette d'accélération | 11. Manuel de l'opérateur |
| 5. Chapeau de bougie et bougie | 12. Boîtier du lanceur |
| 6. Corde du lanceur | 13. Raccord de l'arbre |
| 7. Réservoir de carburant | |

Symboles figurant sur le produit



AVERTISSEMENT! Ce produit est dangereux. L'opérateur ou les personnes situées à proximité peuvent subir des blessures graves ou mortelles si le produit n'est pas utilisé correctement et avec précaution. Pour éviter des blessures à l'opérateur ou aux personnes à proximité, lire et respecter toutes les consignes de sécurité contenues dans le manuel d'utilisation.



Avant d'utiliser la tondeuse, lire attentivement le manuel d'utilisation et veiller à bien comprendre les directives.



Utiliser un casque de protection dans les endroits où des objets peuvent tomber sur vous. Porter un dispositif de protection homologué pour les oreilles. Utiliser un dispositif de protection homologué pour les yeux.



Utilisez des gants de protection homologués.



Utilisez des bottes antidérapantes robustes.



Pompe à carburant.



Volet de départ.

yyyywwxxxx

La plaque signalétique indique le numéro de série. **yyyy** désigne l'année de production et **ww** correspond à la semaine de production.

Remarque : Les autres symboles/autocollants présents sur l'outil renvoient aux exigences en matière de certification pour d'autres zones commerciales.

EPA III

EMISSION CONTROL INFORMATION

Husqvarna

THIS ENGINE MEETS US EPA EXH/EVP REGS FOR

EMISSIONS COMPLIANCE PERIOD :

HUSQVARNA AB HUSQVARNA SWEDEN.

La période de conformité aux normes d'émissions indiquée sur les étiquettes de conformité aux normes d'émissions se rapporte au nombre d'heures de fonctionnement du moteur qui répond aux exigences fédérales en matière d'émissions. N'importe quel atelier de réparation de moteurs hors route ou réparateur peut effectuer l'entretien, le remplacement et la réparation des dispositifs et du système de contrôle des émissions.

Service à la clientèle

Pour joindre le service à la clientèle, appelez le : 1-800-487-5951 ou visitez le site www.husqvarna.com.

Produit endommagé

Nous ne sommes pas responsables des dommages causés à notre produit si :

- Le produit n'est pas réparé de façon adéquate.
- Le produit est réparé avec des pièces qui ne sont pas fournies ou homologuées par le fabricant.
- Le produit comprend un accessoire qui n'est pas fourni ou homologué par le fabricant.
- Le produit n'est pas réparé par un centre de service après-vente agréé ou par une autorité homologuée.

Sécurité

Définitions relatives à la sécurité

Les avertissements, recommandations et remarques soulignent des points du manuel qui revêtent une importance particulière.



AVERTISSEMENT : Indique la présence d'un risque de blessure ou de décès de l'utilisateur ou de personnes à proximité si les instructions du manuel ne sont pas suivies.



MISE EN GARDE : Indique la présence d'un risque de dommages au produit, à d'autres appareils ou à la zone adjacente si les instructions du manuel ne sont pas suivies.

Remarque : Utilisé pour donner des renseignements plus détaillés qui sont nécessaires dans une situation donnée.

Consignes générales de sécurité



AVERTISSEMENT : Lire les messages d'avertissement qui suivent avant d'utiliser l'appareil.

- Utiliser l'outil correctement. Des blessures graves ou mortelles peuvent résulter d'une utilisation non adéquate. Utiliser l'outil seulement pour les tâches décrites dans le présent manuel. Ne pas utiliser l'outil pour d'autres tâches.
- Suivre les instructions de ce manuel. Respecter les symboles et les instructions de sécurité. Si l'opérateur ne respecte pas les instructions et les symboles, il pourrait en résulter des blessures, des dommages ou la mort.
- Ne pas jeter ce manuel. Utiliser les instructions pour assembler l'outil, le faire fonctionner et le conserver en bon état. Suivre les instructions pour l'installation correcte des équipements et accessoires. Utiliser uniquement des pièces et accessoires homologués.
- Ne pas utiliser l'outil s'il est endommagé. Respecter le calendrier d'entretien. N'effectuer que les travaux d'entretien prescrits dans ce manuel. Un centre agréé doit effectuer tous les autres travaux d'entretien.
- Ce manuel ne décrit pas toutes les situations qui peuvent se produire lorsqu'on utilise l'outil. Rester prudent et faire preuve de bon sens. Ne pas faire fonctionner l'outil ni effectuer un entretien sur l'outil si vous n'êtes pas sûr de la situation. Pour obtenir plus d'information, s'adresser à un spécialiste de l'outil, à votre revendeur, à un atelier de réparation ou à un centre de service après-vente agréé.
- Examiner le produit quotidiennement pour détecter tout dommage important avant chaque utilisation ou lorsque le produit est heurté par d'autres objets ou tombe au sol. Se reporter à *Calendrier d'entretien à la page 43*.
- Débrancher le câble d'allumage avant d'installer, de stocker ou de procéder à l'entretien de l'outil.
- Ne pas utiliser l'outil si des modifications contraires à ses caractéristiques initiales y ont été apportées. Ne pas modifier une partie de l'outil sans l'approbation du fabricant. Utiliser seulement des pièces approuvées par le fabricant. Des blessures graves ou mortelles peuvent résulter d'un entretien non adéquat.
- Ne pas respirer les vapeurs du moteur. L'inhalation à long terme des produits d'échappement du moteur représente un danger pour la santé.
- Ne pas démarrer l'outil dans un local clos ou à proximité de matériaux inflammables. Les gaz d'échappement sont très chauds et peuvent contenir des étincelles qui peuvent causer un incendie. Un débit d'air insuffisant peut entraîner des blessures ou la mort en raison d'une asphyxie ou du monoxyde de carbone.
- Lors de l'utilisation de ce produit, le moteur génère un champ électromagnétique. Le champ électromagnétique peut endommager les implants médicaux. Parler à votre médecin et au fabricant de l'implant avant d'utiliser l'outil.
- Ne pas laisser un enfant utiliser l'outil. Ne laisser personne utiliser la machine sans connaître les instructions.
- S'assurer de toujours surveiller les personnes avec des capacités physiques ou mentales réduites qui utilisent le produit. Un adulte responsable doit être présent à tout moment.
- Enfermer le produit dans un endroit verrouillé auquel les enfants et les personnes non autorisées ne peuvent pas accéder.
- Le produit peut projeter des objets et causer des blessures. Respecter les consignes de sécurité afin de réduire le risque de blessures graves ou mortelles.
- Ne pas s'éloigner de l'outil lorsque le moteur est sous tension.
- Tout accident avec cet outil engage la responsabilité de l'opérateur.
- Avant d'utiliser l'outil, vérifier que les pièces ne sont pas endommagées.
- S'assurer d'être à au moins 15 m (50 pi) d'autres personnes ou d'animaux avant d'utiliser le produit. S'assurer que toutes les personnes dans les environs immédiats sont informés que vous allez utiliser le produit.
- Consulter les lois nationales ou locales. Elles peuvent interdire ou limiter l'utilisation de l'outil dans certaines conditions.
- Ne pas utiliser le produit en cas de fatigue ou de maladie, ou sous l'emprise de l'alcool, de drogues ou de médicaments. Ils peuvent avoir des effets indésirables sur votre vision, votre attention, votre coordination des gestes ou votre jugement.

Consignes de sécurité pour l'assemblage



AVERTISSEMENT : Lire les messages d'avertissement qui suivent avant d'utiliser l'appareil.

- Débrancher le chapeau de bougie de la bougie d'allumage avant d'assembler le produit.
- Utiliser des gants de protection homologués.

- S'assurer d'assembler adéquatement le couvercle et l'arbre avant de démarrer le moteur.

Consignes de sécurité pour l'utilisation

- Vérifier que l'outil est entièrement assemblé avant de l'utiliser.
- Avant de commencer, déplacer le produit à 3 m (10 pi) de l'endroit où l'appoint de carburant a été effectué. Placer le produit sur une surface plane. Vérifier que l'outil de coupe ne touche pas le sol ou tout autre objet.
- L'outil peut provoquer des projections d'objets, ce qui peut causer des dommages aux yeux. Toujours utiliser un dispositif de protection homologué pour les yeux lorsqu'on utilise le produit.
- Si un enfant se trouve à proximité, faire preuve de prudence lors de l'utilisation de l'outil.
- Ne pas faire fonctionner l'outil s'il y a des personnes dans la zone de travail. Arrêter l'outil si une personne passe dans la zone de travail.
- S'assurer de toujours garder le contrôle de l'outil. S'assurer de changer régulièrement de posture et de prendre les repos prévus durant l'opération du produit.
- Ne pas utiliser l'outil s'il n'est pas possible de recevoir de l'aide en cas d'accident. Toujours vérifier que d'autres personnes savent qu'on va utiliser le produit avant de commencer à le faire.
- Ne pas tourner avec l'outil sans s'assurer préalablement qu'aucune personne ni aucun animal ne se trouve dans la zone de sécurité.
- Retirer tous les matériaux indésirables de la zone de travail avant de commencer. Si l'outil de coupe heurte un objet, celui-ci peut être projeté et engendrer des blessures ou des dommages. Des matériaux indésirables peuvent s'enrouler autour de l'outil de coupe et causer des dommages.
- Ne pas utiliser ce produit par mauvais temps (brouillard, pluie, vent violent, risque d'éclair ou autres conditions climatiques défavorables). Les conditions de travail peuvent devenir dangereuses (tels que les surfaces glissantes) à cause des intempéries.
- S'assurer qu'on peut se déplacer librement et travailler dans une position stable.



- Vérifier qu'il n'y a pas de risque de chute lors de l'utilisation l'outil. Ne pas incliner l'outil lors de son utilisation.
- Toujours tenir l'outil des deux mains. Tenir l'appareil sur le côté droit du corps.



- Utiliser le produit en plaçant l'outil de coupe sous la taille.
- Si la commande d'étrangler se trouve à la position de démarrage quand le moteur démarre, l'outil de coupe commence à tourner.
- Ne pas toucher le pignon conique après l'arrêt du moteur. Le pignon conique est chaud après l'arrêt du moteur. Les points chauds peuvent causer des blessures.
- Arrêter le moteur avant de déplacer l'outil.
- Ne pas déposer l'outil alors que le moteur est en marche.
- Avant de retirer les matériaux indésirables du produit, arrêter le moteur et attendre jusqu'à l'arrêt de l'outil de coupe. Laisser l'outil de coupe s'arrêter avant de retirer ou de faire retirer le matériau végétal.
- La surexposition aux vibrations peut engendrer des problèmes circulatoires ou des troubles nerveux, tels que la maladie du doigt mort, en particulier chez les personnes ayant des troubles circulatoires. En cas de symptômes liés à une surexposition aux vibrations, consulter un médecin. Ces symptômes sont les suivants : engourdissement, perte de sensibilité, fourmillement, picotement, douleur, faiblesse musculaire, décoloration ou modification de l'épiderme. Ces symptômes apparaissent normalement aux doigts, aux mains et aux poignets.

Équipement de protection personnelle



AVERTISSEMENT : Lire les messages d'avertissement qui suivent avant d'utiliser l'appareil.

- Toujours utiliser un équipement de protection personnelle homologué lors de l'utilisation de l'appareil. Cet équipement de protection personnelle n'élimine pas complètement les risques de blessures, mais il peut en réduire la gravité en cas d'accident. Laisser le concessionnaire vous aider à sélectionner l'équipement adéquat.

- Porter un casque de protection en cas de risque de chute d'objets.
- Porter des protecteurs d'oreille homologués qui assurent une réduction adéquate du bruit. L'exposition prolongée au bruit peut causer des lésions auditives permanentes.
- Utiliser un dispositif de protection homologué pour les yeux. Porter également des lunettes de protection homologuées en cas d'utilisation d'une visière. Les lunettes de protection homologuées doivent être conformes à la norme ANSI Z87.1 aux États-Unis ou à la norme EN 166 dans les pays de l'Union européenne.
- Utiliser une visière pour protéger le visage. La visière n'est pas suffisante pour protéger les yeux.



- Utiliser des gants au besoin, par exemple lors de la fixation, de l'examen ou du nettoyage de l'instrument de coupe. Les gants aident également à prévenir les dommages circulatoires ou nerveux causés par les vibrations à la main et aux doigts.
- Porter des bottes antidérapantes robustes.
- Utiliser des vêtements faits de tissus résistants. Toujours utiliser des pantalons longs et lourds et des manches longues. Ne pas porter des vêtements amples qui peuvent se prendre dans les broussailles et les branches. Ne pas porter des bijoux, des pantalons courts, des sandales et ne pas marcher pieds nus. Garder les cheveux au-dessus des épaules.



- Garder une trousse de premiers soins à portée de main.



Dispositifs de sécurité sur l'outil

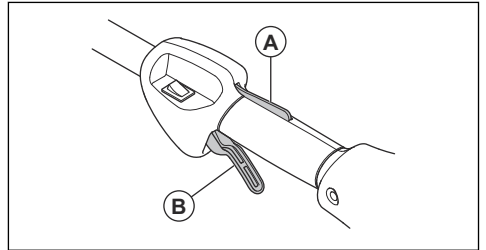


AVERTISSEMENT : Lire les messages d'avertissement qui suivent avant d'utiliser l'appareil.

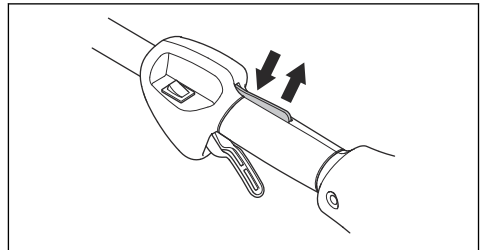
- Ne pas utiliser le produit si les dispositifs de sécurité sont endommagés ou s'ils ne fonctionnent pas correctement.
- Vérifier régulièrement les dispositifs de sécurité. Se reporter à *Calendrier d'entretien à la page 43*.
- Si les dispositifs de sécurité sont endommagés ou ne fonctionnent pas correctement, communiquez avec votre concessionnaire réparateur Husqvarna.

Pour vérifier le verrouillage de la gâchette de l'accélérateur

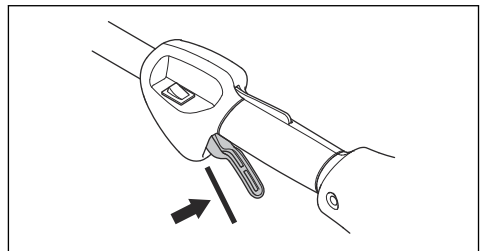
1. Vérifier que le dispositif de verrouillage de la gâchette de l'accélérateur et la gâchette d'accélération bougent librement et que le ressort de retour fonctionne correctement.



2. Appuyer sur le dispositif de verrouillage de la gâchette et s'assurer qu'il retourne à sa position initiale lorsqu'on le relâche.



3. S'assurer que la gâchette de l'accélérateur est verrouillée en position de ralenti lorsque le dispositif de verrouillage de la gâchette de l'accélérateur est relâché.



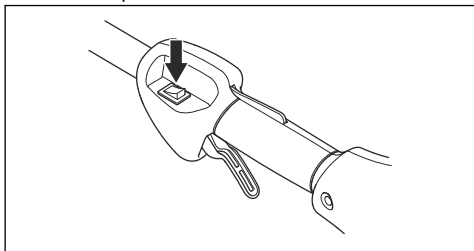
4. Démarrer le produit et le lancer à plein régime.
5. Relâcher la gâchette de l'accélérateur et s'assurer que la lame s'arrête et s'immobilise.



AVERTISSEMENT : Si les lames tournent lorsque la gâchette d'accélération se trouve à la position de ralenti, le régime de ralenti du carburateur doit être réglé. Se reporter à la section *Réglage du régime de ralenti* à la page 44.

Pour vérifier l'interrupteur d'arrêt

1. Démarrer le moteur.
2. Déplacer l'interrupteur d'arrêt en position d'arrêt et s'assurer que le moteur s'arrête.



Silencieux

- Ne pas utiliser un moteur dont le silencieux est endommagé. Un silencieux endommagé augmente le niveau sonore et le risque d'incendie. Garder un extincteur à proximité.
- S'assurer régulièrement que le silencieux est fixé sur le produit.
- Ne pas toucher le moteur ou le silencieux alors que le moteur est sous tension. Ne pas toucher le moteur ou le silencieux pendant un moment après l'arrêt du moteur. Les surfaces chaudes peuvent causer des blessures.
- Un silencieux chaud peut causer un incendie. Rester prudent lorsqu'on utilise le produit à proximité de liquides ou de vapeurs inflammables.
- Ne pas toucher les pièces du silencieux si celui-ci est endommagé. Les pièces peuvent contenir des produits chimiques cancérigènes.

Sécurité – carburant



AVERTISSEMENT : Lire les messages d'avertissement qui suivent avant d'utiliser l'outil.

- Ne pas mélanger le carburant à l'intérieur ou à proximité d'une source de chaleur.
- Ne pas démarrer l'outil s'il y a du carburant ou de l'huile moteur sur l'outil. Nettoyer le carburant ou l'huile et laisser sécher l'outil. Nettoyer tout carburant qui souille l'outil.
- Si du carburant se déverse sur les vêtements, changer immédiatement de vêtement.

- Ne pas déverser du carburant sur le corps; cela pourrait causer des blessures. Si du carburant se déverse sur le corps, se nettoyer au savon doux et à l'eau.
- Ne pas démarrer le moteur si de l'huile ou du carburant se renverse sur l'outil ou sur le corps.
- Ne pas démarrer l'outil si le moteur présente une fuite. Vérifier régulièrement le moteur à la recherche de fuites.
- Faire preuve de prudence lors de la manipulation du carburant. Celui-ci est inflammable et ses vapeurs sont explosives et peuvent causer des blessures ou la mort.
- Ne pas respirer les vapeurs de carburant, car elles peuvent causer des blessures. S'assurer que la ventilation est suffisante.
- Ne pas fumer à proximité du carburant ou du moteur.
- Ne pas placer des objets chauds à proximité du carburant ou du moteur.
- Ne pas faire le plein de carburant lorsque le moteur tourne.
- Vérifier que le moteur est froid avant de faire le plein.
- Avant de faire le plein, ouvrir lentement le couvercle du réservoir de carburant et relâcher la pression avec précaution.
- S'assurer que le débit d'air est suffisant lors du ravitaillement et du mélange de carburant (essence et huile deux temps) ou lors de la vidange du réservoir de carburant.
- Le carburant et les vapeurs de carburant sont extrêmement inflammables et peuvent causer des blessures très graves en cas d'inhalation ou de contact avec la peau. Pour cette raison, faire preuve de prudence lors de la manipulation du carburant et s'assurer que le débit d'air est suffisant.
- Serrer le couvercle du réservoir de carburant avec précaution, car un feu pourrait se déclencher.
- Avant de démarrer l'outil, le déplacer à au moins 3 m (10 pi) de la position où le plein de carburant a été fait.
- Ne pas mettre trop de carburant dans le réservoir de carburant.
- Vérifier qu'une fuite ne peut se produire lorsqu'on déplace l'outil ou le bidon d'essence.
- Ne pas placer l'outil ou un bidon d'essence dans un espace où il y a une flamme nue, des étincelles ou une veilleuse. Vérifier que la zone de stockage ne contient pas de flamme nue.
- Utiliser seulement des conteneurs agréés pour transporter ou stocker le carburant.
- Vider le réservoir de carburant avant de le remettre pour une période prolongée. Toujours respecter la législation locale sur la façon de mettre le carburant au rebut.
- Nettoyer l'outil avant de le remettre pour une période prolongée.

- Débrancher le chapeau de bougie avant de remiser le produit, pour que le moteur ne démarre pas par inadvertance.

Consignes de sécurité pour la maintenance



AVERTISSEMENT : Lire les messages d'avertissement qui suivent avant d'utiliser l'outil.

- Arrêter le moteur, s'assurer que l'équipement de coupe s'arrête et laisser le produit refroidir avant de faire l'entretien.
- Débrancher la bougie d'allumage avant de procéder à l'entretien.
- Les gaz d'échappement du moteur contiennent du monoxyde de carbone, un gaz inodore, toxique et très dangereux qui peut causer la mort. Ne pas démarrer le produit à l'intérieur ou dans des espaces fermés.

- Les gaz d'échappement du moteur sont chauds et peuvent contenir des étincelles. Ne pas démarrer l'outil dans un local clos ou à proximité de matériaux inflammables.
- Les accessoires et les modifications apportées au produit qui ne sont pas approuvés par le fabricant peuvent causer des blessures graves, voire mortelles. Ne pas modifier l'outil. Utilisez toujours des accessoires d'origine.
- Si l'entretien n'est pas effectué correctement et régulièrement, le risque de blessures et de dommages à l'outil augmente.
- N'effectuer que les travaux d'entretien recommandés dans ce manuel d'utilisation. Laisser un agent d'entretien agréé Husqvarna effectuer toutes les autres opérations d'entretien.
- Demander régulièrement à un agent d'entretien agréé Husqvarna d'effectuer l'entretien de l'outil.
- Remplacer les pièces endommagées, usées ou brisées.

Montage

Introduction



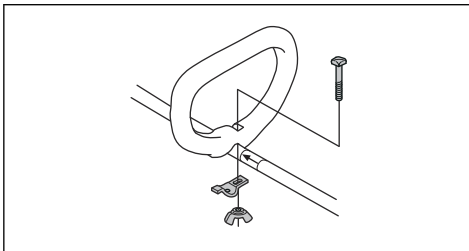
AVERTISSEMENT : Avant d'assembler le produit, lire et bien comprendre le chapitre sur la sécurité.



AVERTISSEMENT : Débrancher le câble de la bougie d'allumage de la bougie d'allumage avant d'assembler le produit.

Pour fixer la poignée anneau

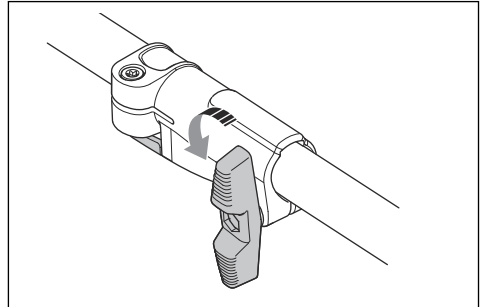
1. Fixez la poignée en anneau sur l'arbre conformément à l'illustration et serrez.



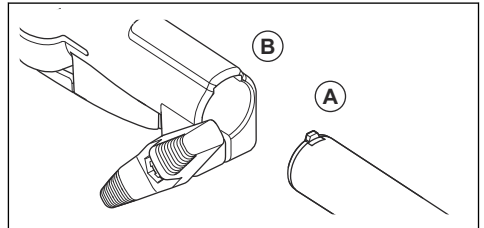
2. Assurez-vous de fixer la poignée en anneau avant la flèche située sur l'arbre.

Pour assembler l'arbre en deux pièces

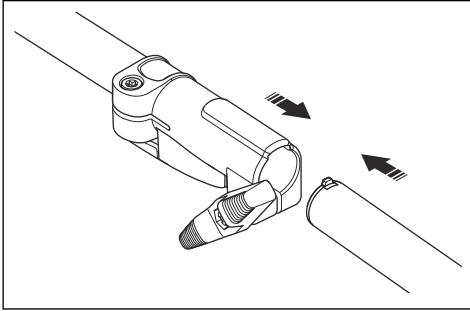
1. Tourner le bouton pour desserrer le raccord.



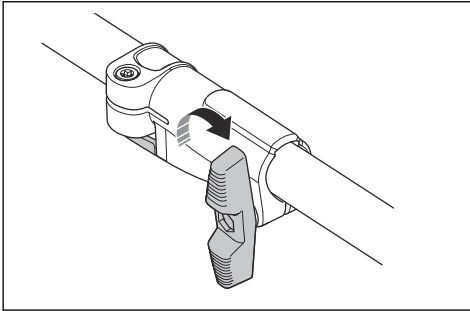
2. Aligner la languette de l'équipement de coupe (A) avec l'encoche figurant sur le raccord (B).



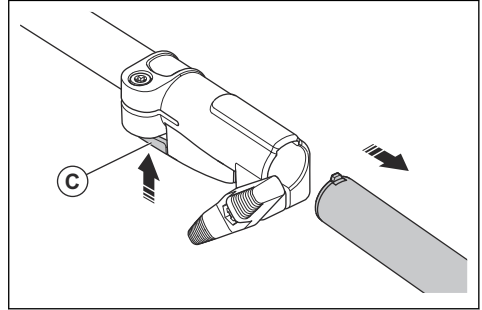
3. Pousser avec précaution l'arbre dans le raccord jusqu'à entendre un déclic.



4. Serrez complètement le bouton.

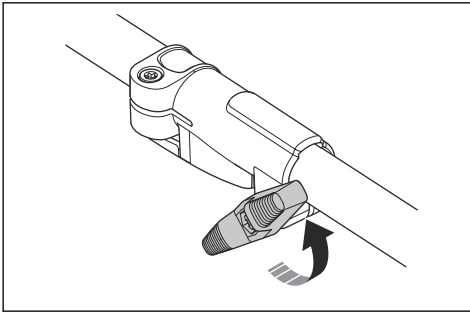


2. Appuyez sur le bouton (C) et maintenez-le enfoncé.
3. Tenez fermement l'extrémité de l'arbre auquel le moteur est fixé.
4. Tirez l'accessoire bien droit pour le sortir du raccord.



Démontage de l'arbre démontable

1. Tournez le bouton sur au moins 3 tours pour desserrer le raccord.



Fonctionnement

Introduction



AVERTISSEMENT : Avant d'utiliser le produit, lire et bien comprendre le chapitre sur la sécurité.

Carburant

Cet outil est équipé d'un moteur à deux-temps.



MISE EN GARDE : Un type de carburant inapproprié peut endommager le moteur. Utiliser un mélange d'essence et d'huile pour moteur à deux-temps.

Carburant prémélangé

- Utiliser du carburant alkylat prémélangé Husqvarna, pour atteindre une performance optimale et un prolonger la durée de vie du moteur. Ce carburant contient moins de substances chimiques nocives par rapport à un carburant régulier, ce qui réduit les gaz d'échappement nocifs. La quantité de dépôts après combustion est inférieure avec ce carburant, ce qui maintient les composants du moteur plus propres.

Pour mélanger le carburant

Essence

- Utiliser de l'essence sans plomb de bonne qualité contenant au maximum 10 % d'éthanol.



MISE EN GARDE : Ne pas utiliser d'essence à indice d'octane inférieur à 90 RON (87 AKI). L'utilisation d'un indice d'octane inférieur peut entraîner le cognement du moteur, ce qui provoque des dommages au moteur.

Huile à moteur deux temps

- Pour obtenir un meilleur résultat et un fonctionnement optimal, utiliser l'huile pour moteur à deux-temps Husqvarna.
- Si l'huile pour moteur à deux temps Husqvarna n'est pas disponible, utiliser une huile pour moteur à deux temps de bonne qualité destinée aux moteurs refroidis à l'air. Communiquer avec votre centre de services pour sélectionner l'huile appropriée.



MISE EN GARDE : Ne pas utiliser l'huile pour moteur à deux temps dans des moteurs hors-bord refroidis à l'eau, également appelée huile pour moteur hors-bord. Ne pas utiliser l'huile pour des moteurs à quatre temps.

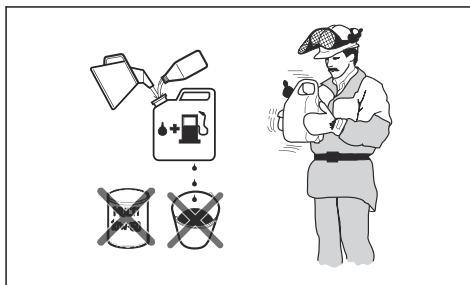
Pour mélanger l'essence et l'huile pour moteur à deux temps

| Essence, litre | Huile pour moteur à deux temps, litre |
|------------------|---------------------------------------|
| | 2 % (50:1) |
| 5 | 0,10 |
| 10 | 0,20 |
| 15 | 0,30 |
| 20 | 0,40 |
| gallon US | once liquide US |

| | |
|-------|------|
| 1 | 2 ½ |
| 2 1/2 | 6 ½ |
| 5 | 12 ½ |



MISE EN GARDE : De petites erreurs peuvent influencer considérablement le ratio de mélange lors du mélange de petites quantités de carburant. Mesurer soigneusement la quantité d'huile et s'assurer d'obtenir le mélange approprié.



- Remplir la moitié de la quantité d'essence dans un récipient propre destiné à contenir du carburant.
- Ajouter la quantité totale d'huile.
- Agiter le mélange de carburant.
- Ajouter la quantité restante d'essence dans un récipient.
- Agiter avec précaution le mélange de carburant.



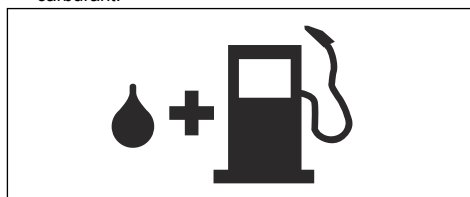
MISE EN GARDE : Ne pas mélanger le carburant pendant plus de 1 mois à la fois.

Remplissage du réservoir de carburant



AVERTISSEMENT : Respecter la procédure suivante pour assurer la sécurité.

- Couper le moteur et le laisser refroidir.
- Nettoyer la zone autour du bouchon du réservoir de carburant.



3. Secouer le bidon et s'assurer que le carburant est complètement mélangé.
4. Retirer le bouchon du réservoir de carburant lentement pour libérer la pression.
5. Remplir le réservoir de carburant.



MISE EN GARDE : S'assurer qu'il n'y a pas trop de carburant dans le réservoir. Le carburant se dilate lorsqu'il devient chaud.

6. Serrer fermement le bouchon du réservoir de carburant.
7. Nettoyer le déversement de carburant sur le produit et autour de celui-ci.
8. Éloigner le produit de 3 m (10 pi) ou plus de la zone de remplissage et de la source de carburant avant de démarrer.

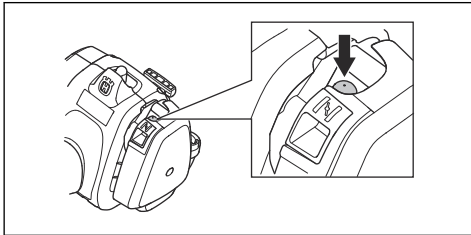
Remarque : Pour connaître l'emplacement du réservoir de carburant sur votre machine, se reporter à *Présentation de l'appareil à la page 33.*

Vérification avant le démarrage

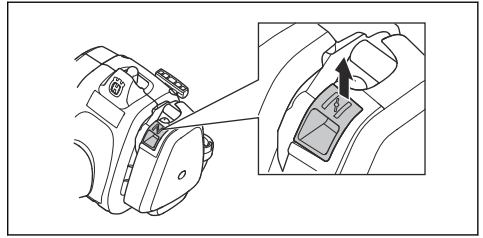
1. S'assurer qu'aucune pièce du produit n'est manquante, endommagée, desserrée ou usée.
2. S'assurer que les écrous, les vis et les boulons sont serrés.
3. Vérifier que le filtre à air n'est pas bouché.
4. S'assurer que les dispositifs de sécurité du produit fonctionnent correctement et ne sont pas endommagés.
5. S'assurer que le produit ne présente aucune fuite de carburant.

Démarrage d'un moteur froid

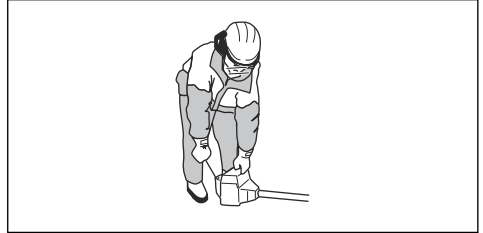
1. Appuyer 10 fois sur la pompe à carburant.



2. Mettre le starter à la position du starter.



3. Maintenir l'outil sur le sol à l'aide de la main gauche.



MISE EN GARDE : Ne pas marcher sur l'outil.

4. Tirer lentement la poignée de câble du lanceur avec la main droite jusqu'à rencontrer une résistance. Tirer ensuite rapidement sur la poignée de câble du lanceur jusqu'à ce que le moteur démarre ou tente de démarrer.



AVERTISSEMENT : Ne pas enrouler la corde du lanceur autour de la main.

5. Mettre le starter à la position de fonctionnement.
6. Si le moteur démarre, appuyer légèrement sur la gâchette d'accélération et laisser le moteur tourner pendant 60 secondes pour qu'il se réchauffe. Si le moteur ne démarre pas, tirer sur la poignée du lanceur jusqu'à ce qu'il démarre. Appuyer ensuite légèrement sur la gâchette d'accélération et laisser le moteur tourner pendant 60 secondes pour qu'il se réchauffe.



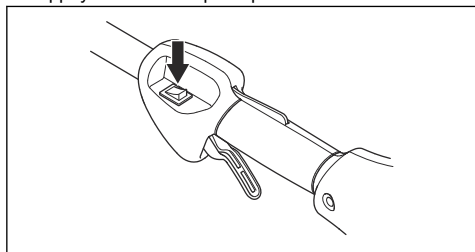
MISE EN GARDE : Ne pas tirer complètement le câble du lanceur et ne pas lâcher la poignée de câble du lanceur. Cela pourrait endommager le produit. Relâcher lentement la corde du démarreur.

Démarrage d'un moteur chaud

1. Appuyer 10 fois sur la pompe à carburant.
2. Tirer sur le cordon du lanceur jusqu'à ce que le moteur démarre.

Arrêt de la machine

- Appuyer sur l'interrupteur pour arrêter le moteur.



Remarque : L'interrupteur revient automatiquement à sa position initiale.

Entretien

Introduction



AVERTISSEMENT : Avant de procéder à l'entretien, lire et bien comprendre le chapitre sur la sécurité.

Pour tous les travaux d'entretien et de réparation sur le produit, une formation spécifique est nécessaire. La

disponibilité des réparations et des entretiens effectués de façon professionnelle est garantie. Si un revendeur n'est pas un agent d'entretien, communiquer avec lui pour connaître l'agent d'entretien le plus proche.

Pour obtenir de plus amples renseignements, se reporter à la section .

Calendrier d'entretien

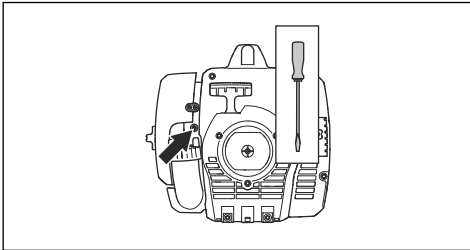
| Entretien | Quotidien | Hebdo- madaire | Mensuel |
|---|-----------|-------------------|---------|
| Nettoyez la surface externe. | X | | |
| Nettoyez le filtre à air. Les remplacer au besoin. | X | | |
| Vérifier la fonction du blocage de l'accélération et la commande d'accélération. | X | | |
| Vérifier l'interrupteur d'arrêt. | X | | |
| Vérifier le contre-écrou. | X | | |
| Vérifier pour détecter toute fuite éventuelle de carburant. | X | | |
| Appliquer la graisse sur l'arbre démontable. | | X | |
| Vérifier la poignée du câble du lanceur et le câble du lanceur. | | X | |
| Vérifier la graisse du pignon conique. | | X | |
| Nettoyer la surface externe de la bougie. Retirez la bougie et mesurez l'écartement des électrodes. Ajustez l'écartement des électrodes ou remplacez la bougie. | | X | |
| Nettoyez le système de refroidissement. | | X | |
| Nettoyez ou remplacez l'écran pare-étincelles du silencieux. | | X | |
| Nettoyez la surface extérieure du carburateur et la zone autour de celui-ci. | | X | |
| Vérifier le filtre à carburant à la recherche de contamination. | | | X |
| Vérifier le tuyau de carburant pour détecter d'éventuels dommages. | | | X |

| Entretien | Quotidien | Hebdomadaire | Mensuel |
|---|-----------|--------------|---------|
| Vérifiez tous les câbles et tous les raccords. | | | X |
| Vérifier l'embrayage, le ressort d'embrayage et le tambour d'embrayage à la recherche de trace d'usure. | | | X |
| Remplacer la bougie d'allumage. | | | X |

Réglage du régime de ralenti

Vérifier que le filtre à air est propre et que le couvercle du filtre à air est fixé avant de régler le régime de ralenti.

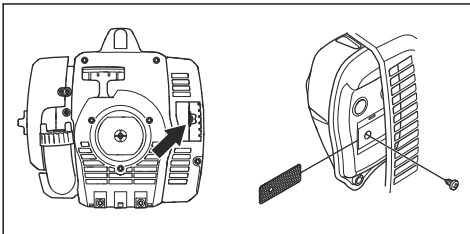
1. Tourner la vis de réglage du régime de ralenti, identifiée par un T, dans le sens horaire jusqu'à ce que l'équipement de coupe commence à tourner.



2. Tourner la vis de réglage du ralenti, identifiée par un T, dans le sens antihoraire jusqu'à ce que l'équipement de coupe cesse de tourner.
3. Le régime de ralenti doit être inférieur à la vitesse lorsque l'équipement de coupe commence à tourner. Le régime de ralenti est adéquat lorsque le moteur fonctionne sans à-coups dans toutes les positions.

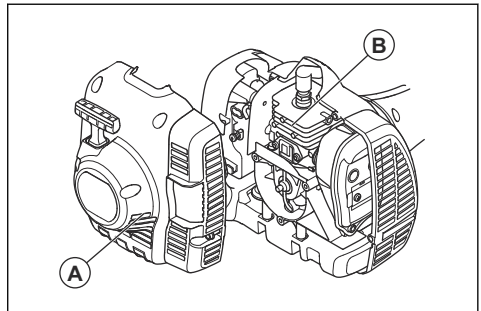
Entretien de l'écran pare-étincelles

- Utiliser une brosse métallique pour nettoyer l'écran pare-étincelles.



Nettoyage du système de refroidissement

- Nettoyer la prise d'air (A) sur le démarreur et les ailettes de refroidissement (B) du cylindre avec une brosse.



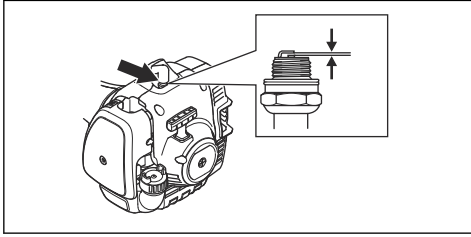
Vérification de la bougie d'allumage



MISE EN GARDE : Utiliser la bougie recommandée. Vérifier que les pièces de rechange sont les mêmes que celles fournies par le fabricant. Une bougie inadéquate peut endommager l'outil. S'assurer que la bougie est installée avec un suppresseur. Pour obtenir de plus amples renseignements, communiquer avec votre centre de services.

1. Vérifier la bougie d'allumage dans les cas suivants :
 - a) Le moteur manque de puissance.
 - b) Le moteur ne démarre pas facilement.
 - c) Le moteur ne fonctionne pas correctement au régime de ralenti.
2. Si le moteur n'est pas facile à démarrer ou faire fonctionner, examiner la bougie pour les matériaux indésirables. Afin de réduire le risque de matériau indésirable sur les électrodes de la bougie :
 - a) Vérifier que le régime de ralenti est réglé de façon adéquate.
 - b) Vérifier que le mélange de carburant est correct.
 - c) Vérifier que le filtre à air est propre.

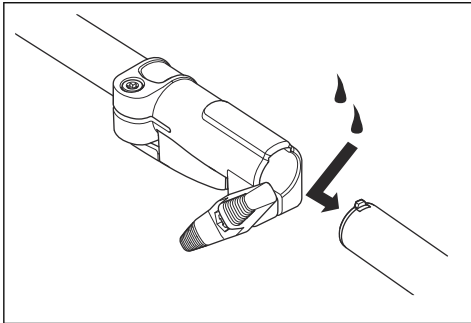
- Nettoyer la bougie si elle est sale. Vérifier que l'écartement des électrodes est correct. Se reporter à la section *Caractéristiques techniques à la page 47*.



- Remplacer la bougie d'allumage selon le besoin.

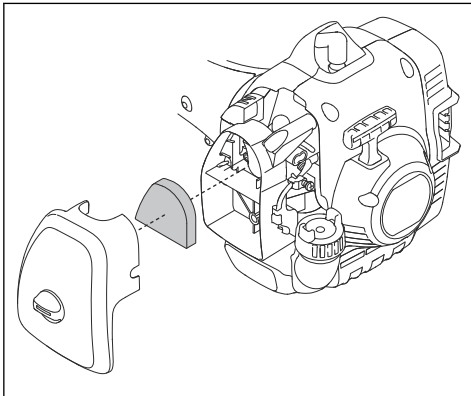
Application de graisse sur l'arbre démontable

- Appliquer de la graisse sur l'extrémité de l'arbre d'entraînement après chaque 30 heures de fonctionnement.



Nettoyage du filtre à air

- Retirer le couvercle du filtre à air et retirer le filtre à air.



- Nettoyer le filtre à air à l'eau savonneuse chaude. Vérifier que le filtre à air est sec avant de l'installer.

- Remplacer le filtre à air s'il est trop sale pour le nettoyer entièrement. Toujours remplacer les filtres à air endommagés.
- Si votre produit est équipé d'un filtre à air en mousse, appliquer de l'huile pour filtre à air. Appliquer seulement de l'huile pour filtre sur un filtre en mousse. Ne pas appliquer de l'huile sur un filtre en feutre.

Application de l'huile pour filtre à air sur le filtre à air

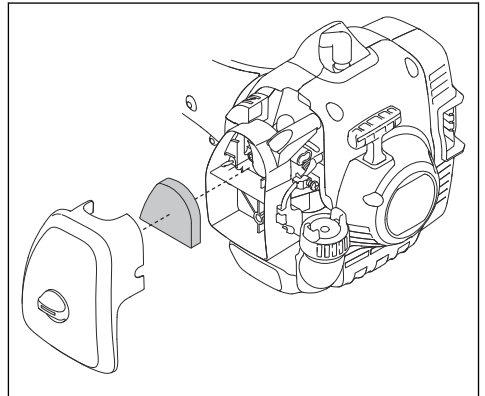


MISE EN GARDE : Toujours utiliser de l'huile spéciale pour filtre à air sur les filtres à air en mousse. Ne pas utiliser d'autres types d'huile.

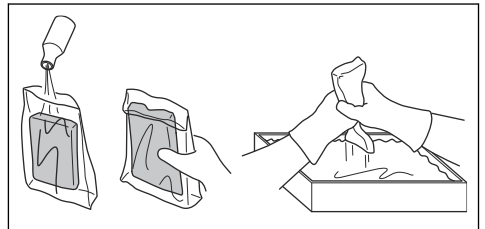


AVERTISSEMENT : Ne pas mettre d'huile sur le corps.

- Retirer le couvercle du filtre à air et retirer le filtre à air.



- Placer le filtre à air dans un sac en plastique.
- Placer l'huile du filtre à air dans le sac en plastique.



- Appuyer le sac en plastique pour vérifier que l'huile alimente également l'ensemble du filtre à air.
- Appuyer sur le filtre à air dans le sac, pour retirer l'huile de filtre à air qui n'est pas nécessaire. Retirer le filtre à air de son emballage.

6. Installer le filtre à air.

Dépannage

Le moteur ne démarre pas.

| Vérifier | Cause possible | Procédure |
|-------------------------------------|--|--|
| Cliquets de lanceur à rappel. | Les cliquets de lanceur à rappel ne peuvent se déplacer librement. | Retirer le couvercle du démarreur et nettoyer autour des cliquets de lanceur à rappel. |
| | | Communiquer avec un un centre de service agréé pour obtenir de l'aide. |
| Réservoir de carburant. | Type de carburant inapproprié. | Vidanger le réservoir de carburant et faire le plein avec le carburant correct. |
| Bougie d'allumage. | La bougie d'allumage est sale ou humide. | S'assurer que la bougie est propre et sèche. |
| | L'écartement des électrodes de la bougie d'allumage est incorrect. | Nettoyer la bougie d'allumage. Vérifier que l'écartement des électrodes est correct. S'assurer que la bougie d'allumage est dotée d'un supprimeur. |
| | | Se reporter à la section <i>Caractéristiques techniques à la page 47</i> pour connaître la distance adéquate entre les électrodes. |
| La bougie d'allumage est desserrée. | Serrer la bougie d'allumage. | |

Le moteur démarre mais s'arrête à nouveau

| Vérifier | Cause possible | Procédure |
|------------------------|--------------------------------|--|
| Réservoir de carburant | Type de carburant inapproprié. | Vider le réservoir de carburant et faire le plein avec le carburant correct. |
| Filtre à air | Le filtre à air est bouché. | Nettoyer le filtre à air. |

Transport et entreposage

- Toujours laisser l'appareil refroidir avant de l'entreposer.
- Pour le stockage et le transport du produit et du carburant, s'assurer qu'il n'y a pas de fuite ou de vapeur. Les étincelles ou les flammes nues, par exemple avec des appareils électriques ou des chaudières, peuvent démarrer un incendie.
- Utiliser toujours des contenants agréés pour entreposer ou transporter le carburant.
- Vider les réservoirs de carburant avant tout transport ou remisage pendant une période prolongée. Mettre au rebut le carburant à un emplacement adéquat.
- Retirez le capuchon de la bougie d'allumage.
- Fixer le produit pendant le transport. S'assurer qu'il ne puisse pas bouger.
- Nettoyer et entretenir le produit avant de le remettre pour une période prolongée.

Caractéristiques techniques

Caractéristiques techniques

| | 122LK together with approved accessories |
|---|--|
| Moteur | |
| Cylindrée, po ³ /cm ³ | 1,32/21,7 |
| Régime de ralenti, min ⁻¹ (tr/min) | 2 900 |
| Régime max. recommandé, min ⁻¹ (tr/min) | 7 200 |
| Puissance/sortie max. du moteur, conformément à la norme ISO 8893, kW/hp à min ⁻¹ tr/min | 0,6/0,8 à 7 800 |
| Silencieux avec pot catalytique | Oui |
| Système d'allumage réglé en fonction du régime | Non |
| Durabilité des émissions, h. | 50 |
| Système d'allumage | |
| Bougie d'allumage | HQT-4 672201 |
| Écartement des électrodes, po/mm | 0,02/0,5 |
| Circuit d'alimentation | |
| Capacité du réservoir de carburant, pinte US/litre | 0,63/0,3 |
| Poids | |
| Poids sans carburant (unité électrique seulement), lb/kg | 8,77/3,98 |
| Niveaux de bruit ⁵ | |
| Niveau de pression sonore équivalent à l'oreille de l'utilisateur mesuré selon la norme ISO 22868, dB (A) : | 89-94 |
| Niveaux de vibrations ⁶ | |
| Niveau de vibration à la poignée mesuré selon la norme ISO 22867, m/s ² | 3,9-6,8 |

⁵ Les données reportées pour le niveau de pression sonore équivalent du produit montrent une dispersion statistique typique (déviation standard) de 1 dB (A).

⁶ Les données reportées pour le niveau de vibrations équivalent montrent une dispersion statistique typique (déviation standard) de 1 m/s².

Accessoires

Accessoires

| Accessoires homologués | Numéro d'article | Utilisation avec |
|---|------------------|------------------|
| Accessoire pour taille-bordures EAC308 | 970 70 01-01 | 122LK |
| Accessoire pour cultivateur CA230 | 967 29 42-01 | 122LK |
| Rallonge EX780 | 967 29 71-01 | 122LK |
| Accessoire de taille-haie HA322 | 970 65 71-01 | 122LK |
| Accessoire pour taille-haies HA860 | 596 31 66-03 | 122LK |
| Accessoire de scie à chaîne sur perche PA310 | 970 70 02-01 | 122LK |
| Accessoire de scie à chaîne sur perche PA1100 | 537 18 33-28 | 122LK |
| Accessoire de coupe TA320 | 970 71 55-01 | 122LK |



www.husqvarna.com

Original instructions
Instrucciones originales
Instructions d'origine

1144126-49



2024-07-23