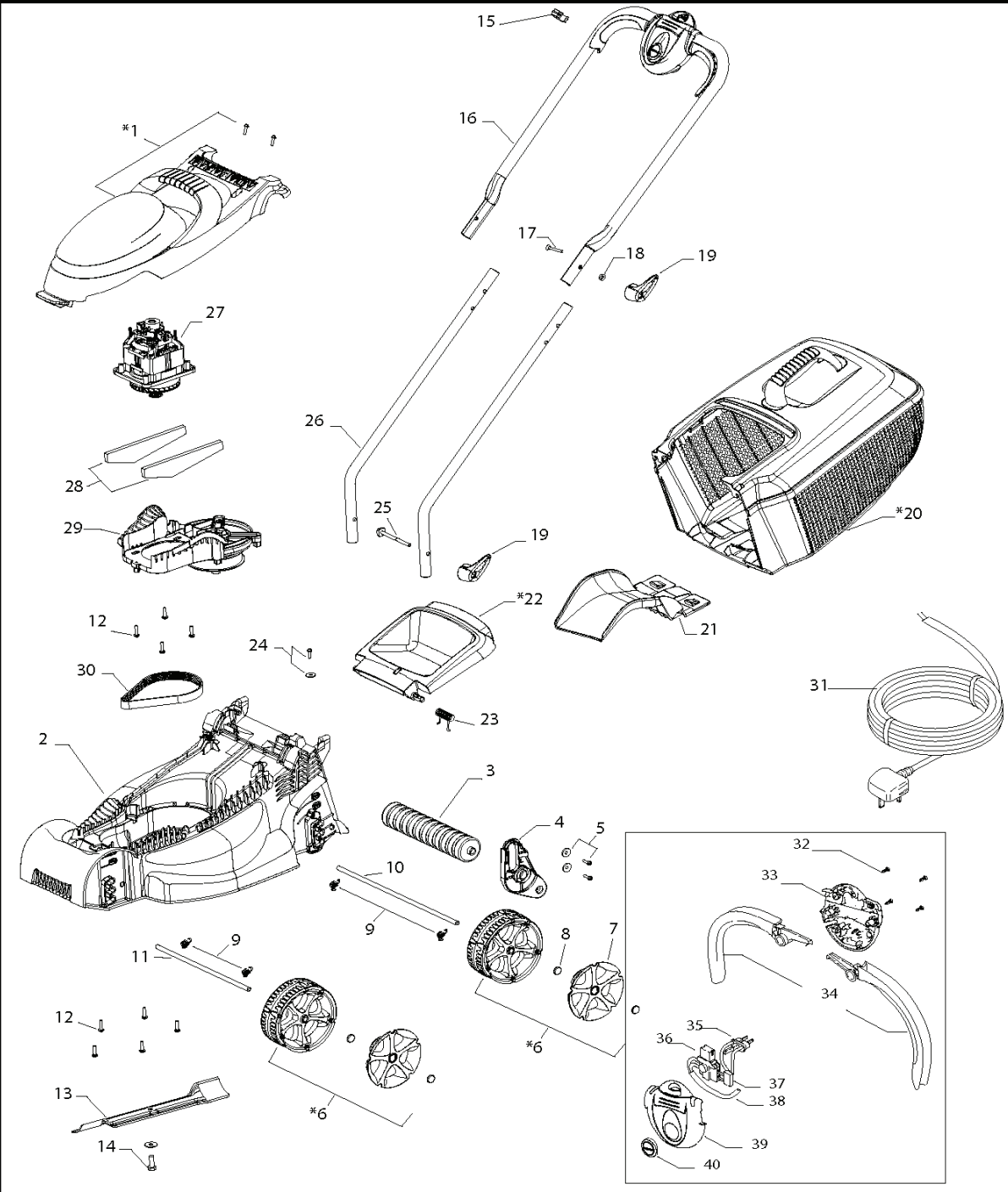


Chevron 32 VC, 966608532, 2016-12

SPARE PARTS LIST

IPL, Flymo, Chevron 32, 9676237-26, 9676237-27, 9676237-62
 IPL, Flymo, Chevron 32V, 9666084-01, 9666084- 26, 9666084- 28, 9666084-32, 9666084-62
 IPL, Flymo, Chevron 32VC, 9666085-32
 IPL, Flymo, Speedimo, 9666083-01
 AP1612004 replaces AP1509002

Publication Number



REF.	PART NO.	DESCRIPTION	REMARK	QTY.	KIT
1	577177801	MOTOR COVER		1	
2	510760700	SPARE PARTS		1	
3	510761500	ROLLER		1	
4	510761300	BRACKET		1	
5	510761400	LOOSE PARTS KIT		2	
6	577177901	WHEEL ASSY	PACK OF 2	4	
7	577178001	HUB CAP	PACK OF 4	4	
8	577178101	LOCKWASHER	PACK OF 4	4	
9	510761000	SPRING	PACK OF 4	4	
10	510761200	AXLE		1	
11	510761100	AXLE		1	
12	510760600	SCREW KIT	PACK OF 10	9	
13	510760890	MOWER BLADE		1	
14	510760900	BOLT	INC. WASHER	1	
15	513857400	CLAMP		2	
16	510762700	HANDLE		1	
17	514919801	BOLT		2	
18	514026600	WASHER		4	
19	510762400	KNOB		4	
20	510762300	GRASSBAG		1	
21	510770700	CHUTE		1	
22	510762000	SAFETY FLAP		1	
23	510761900	SPRING		1	
24	510762100	LOOSE PARTS KIT		2	
25	510761800	BOLT		2	
26	510762600	HANDLE		2	
27	510760400	MOTOR ASSY		1	
28	510761700	FILTER		2	
29	510760300	BASEPLATE		1	
30	510760500	BELT		1	
31	512725119	EXTENSION CABLE	UK	1	
32	513087300	SCREW	PACK OF 6	4	
33	510770500	SWITCHBOX		1	
33	511945868	SWITCHBOX	EU	1	
34	510762800	LEVER		1	
35	574645701	PEN	EU	1	
36	522720901	SWITCH		1	
37	513121600	CAPACITOR		1	
38	510790300	POWER CORD		1	
39	511945668	SWITCHBOX		1	
40	513103064	BUTTON		1	