

Chevron 32VC, 966608501, 966608528, 2016

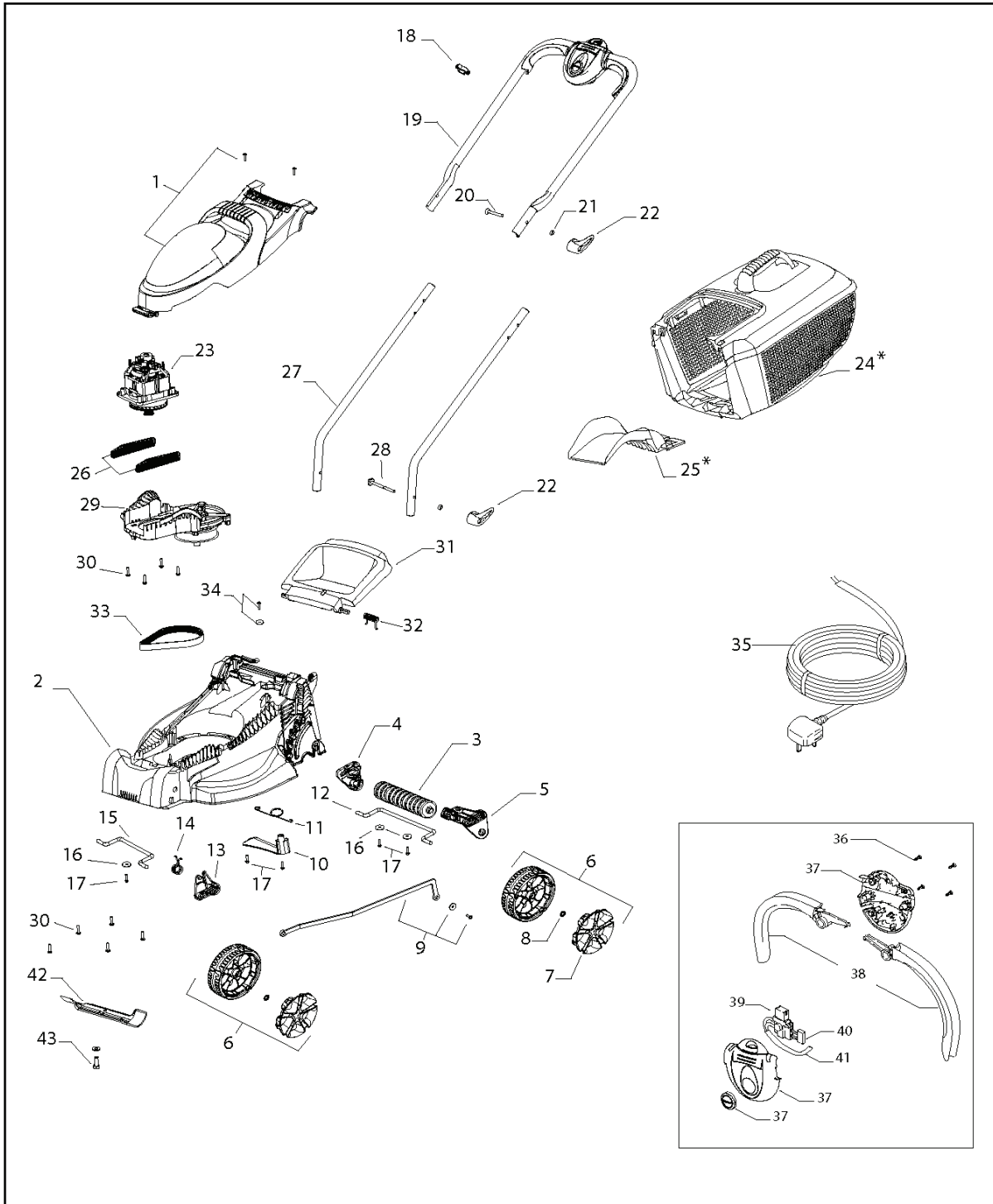
---

# **SPARE PARTS LIST**

IPL, Flymo, Chevron 32VC, 9666085-01, 9666085-28

Publication Number

AP 1601002 replaces AP1011003



REF.	PART NO.	DESCRIPTION	REMARK	QTY.	KIT
1	577219801	MOTOR COVER		1	
2	577219701	DECK		1	
3	577219901	ROLLER		1	
4	577220101	WHEEL BRACKET		1	
5	577220201	LEVER		1	
6	577221301	WHEEL ASSY	PACK OF 2	4	
7	577221001	HUB CAP	PACK OF 4	4	
8	577221501	WASHER	PACK OF 4	4	
9	577221201	LINK ARM ASSY		1	
10	522902801	DECK		1	
11	577220501	SPRING		1	
12	577220301	REAR AXLE		1	
13	577220901	FRONT AXLE HOLDER		1	
14	577221101	SPRING		1	
15	577220401	FRONT AXLE		1	
16	577220001	WASHER	PACK OF 4	3	
17	510762500	SCREW KIT		8	
18	513857400	CLAMP		2	
19	510762700	HANDLE		1	
20	514919801	BOLT		2	
21	514026600	WASHER		4	
22	510762400	KNOB		4	
23	510760400	MOTOR ASSY		1	
24	510762300	GRASSBAG		1	
25	510770700	CHUTE		1	
26	510761700	FILTER		2	
27	510762600	HANDLE		2	
28	510761800	BOLT		2	
29	510760300	BASEPLATE		1	
30	510760600	SCREW KIT	PACK OF 10	9	
31	510762000	SAFETY FLAP		1	
32	510761900	SPRING		1	
33	510760500	BELT		1	
34	510762100	LOOSE PARTS KIT		2	
35	512725119	EXTENSION CABLE		1	
36	513087300	SCREW	PACK OF 6	4	
37	510770500	SWITCHBOX		1	
37	511945668	SWITCHBOX		1	
37	513103064	BUTTON		1	
38	510762800	LEVER		1	
39	522720901	SWITCH		1	
40	513121600	CAPACITOR		1	
41	510790300	POWER CORD		1	
42	510760890	MOWER BLADE		1	
43	510760900	BOLT		1	