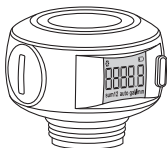




18350-25.960.01



AquaCount

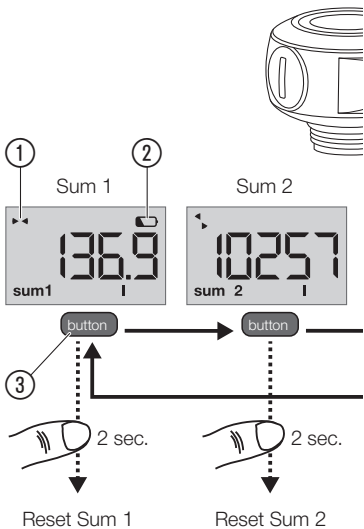
Art. 18350

Art. 18352

Art. 18354

en **Operator's manual**

A





Auto-Mode

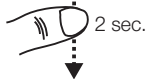


Flow-Mode



button

button

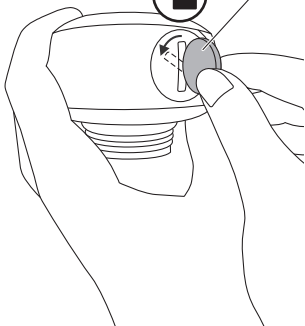


US Gallone (gal) ↔ Liter (l)

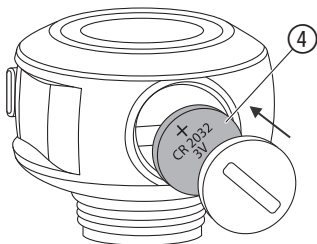
B1



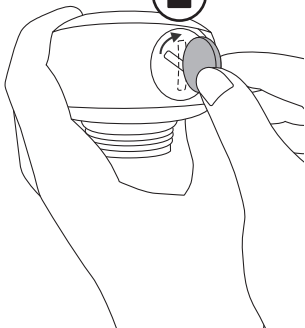
4



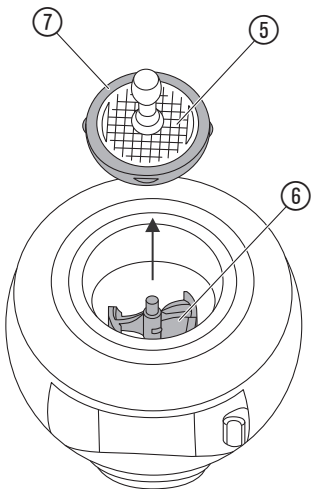
B2



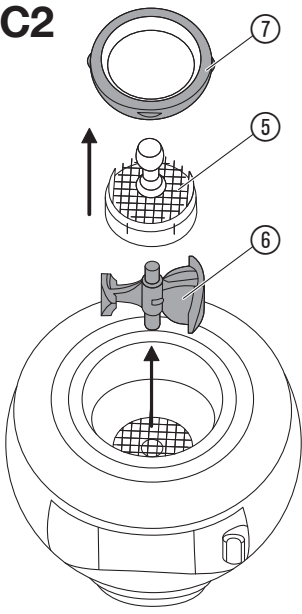
B3



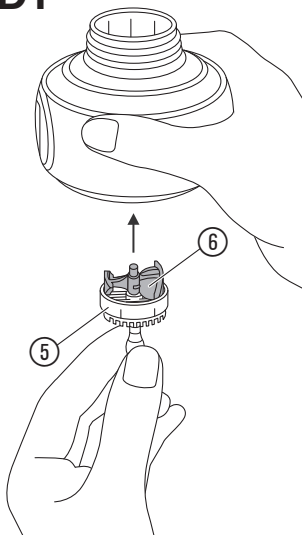
C1



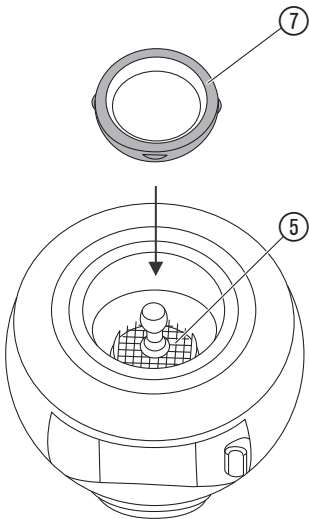
C2



D1



D2



en GARDENA AquaCount Art. 18350/18352/18354

Translation of the original instructions.

For water-quantity measurement of clear freshwater in outdoor areas.

1. Safety warnings for the button cell battery CR 2032 3V (Especially dangerous for children):

- Keep children away from the battery.
- Note the expiry date of the new battery when replacing the battery.
- Use the battery only when it is dry.
- Do not use modified or damaged batteries.
- Do not use the product, if the battery compartment does not close securely.
- Only replace the battery when it is dry.
- Keep the battery away from heat sources such as heaters, candles, stoves and open flames. Contact with heat may cause the battery to burst, leak or explode.
- Dispose of the battery with the pole taped off, as leaving the pole exposed may cause a short circuit (risk of explosion and fire!).

2. Operation (Fig. A):

- Push button ③ briefly: The display appears/switches to the next display mode.
- **Sum 1** = Water quantity is measured up to the reset (e. g. day consumption).
- **Sum 2** = Water quantity is measured up to the reset (e. g. season consumption).

- **Auto-Mode** = Water quantity is measured during watering up to an interruption longer than 2 sec. At the next watering, the display starts at **0** again.
- **Flow-Mode** = Shows the current flow in **l/min** or **gal/min**.
- **Standby** = No display (longer than 1 min. without flow or without pushing of a button).
- **Reset** = Hold button ③ pressed in **Sum 1** or **Sum 2 Mode** for 2 sec.:
*The measured water quantity of **Sum 1** or **Sum 2 Mode** will be reset to **0 (Reset)**.*
- **Switch (l/gal)** = Hold button ③ pressed in **Flow Mode** for 2 sec.: The display switches between litre and gallons (US).
*The measured water quantities will be reset to **0 (Reset)**.*

Display symbols:

The display can be rotated and can therefore be read in any position.

- **Flow-Symbol ①**:
display during active measurement.
 - **Battery-Symbol ②**:
display at low battery.
- Change battery (CR 2032 3V) ④ (Fig. B1/B2/B3).



Observe the polarity **+/-**.

The display can be rotated and can therefore be read in any position.

3. Clean turbine holder ⑤ and turbine ⑥ (Fig. C1/C2):

- Remove turbine holder ⑤ with washer ring ⑦ and turbine ⑥ and clean under flowing water. Flush AquaCount before mounting.
- When mounting, observe the sequence (Fig. D1/D2).

4. Technical data:

Water temperature:	5 – 40 °C	Flow area:	5 – 50 l/min
--------------------	-----------	------------	--------------

Ambient temperature:	5 – 60 °C	Maximum pressure:	12 bar
----------------------	-----------	-------------------	--------

Measurement tolerance: ± 5 % * (at least ± 0.5 l)	Measuring range: Flow max. 3000 l/h
--	--

* Art. 18350, apply directly to the tap.

5. Product registration

Please register your product at [gardena.com/registration](https://www.gardena.com/registration).

5.1 Service

Please find the current contact information of our service online:

- Australia: <https://www.gardena.com/au/support/advice/contact/>
- New Zealand: <https://www.gardena.com/nz/support/advice/contact/>

Australia

Husqvarna Australia Pty. Ltd.
 Locked Bag 5
 Central Coast BC
 NSW 2252
 Phone: (+ 61) (0) 2 4352 7400
customer.service@husqvarna.com.au

New Zealand

Husqvarna New Zealand Ltd.

PO Box 76-437

Manukau City 2241

Phone: (+64) (0) 9 9202410

support.nz@husqvarna.co.nz

5.2 Warranty

Husqvarna provides a manufacturer's warranty against faulty workmanship in manufacture and/or defective components to initial purchaser for each new GARDENA branded product produced by Husqvarna and purchased in Australia. To make a valid claim under this manufacturer's warranty the product and proof of purchase must be provided to the retailer. This warranty does not cover damage caused by misuse, neglect, adjustments and/or modifications by the consumer or normal wear and tear, the costs of shipping and handling, travel expense, lost time, or pickup and delivery.

5.2.1 Australia

Our goods come with guarantees that cannot be excluded under the Australian Consumer Law. You are entitled to a replacement or refund for major failure and for compensation for any other reasonably foreseeable loss or damage. You are also entitled to have the goods repaired or replaced if the goods fail to be of acceptable quality and the failure does not amount to a major failure.

Husqvarna Australia Pty Ltd (ABN 45 115 475 619) 4 Pioneer Avenue, Tuggerah NSW 2259. Tel: 1300 804 213.

5.2.2 New Zealand

This manufacturer's warranty is in addition to the rights and remedies provided by the New Zealand Consumer Guarantees Act.

Husqvarna New Zealand Ltd (Company No. 111861) 51 Aintree Avenue, Airport Oaks, Manukau 2022. Tel: 09 920 2410. Made in Germany to GARDENA's specifications.



WARNING: Button cell batteries are hazardous. Keep batteries out of reach of children (whether the battery is new or used). Button cell batteries can cause severe or fatal injuries in 2 hours or less if they are swallowed or placed inside any part of the body. If you suspect your child has swallowed or inserted a button cell battery immediately call the 24 hours Poisons Information Centre on 131 126 and you will be directed to the nearest hospital or emergency service that can manage the injury. If the battery compartment does not close securely, stop using the product and keep it away from children.

18350-25.960.01/0224

© GARDENA Manufacturing GmbH

D-89079 Ulm

<https://www.gardena.com>