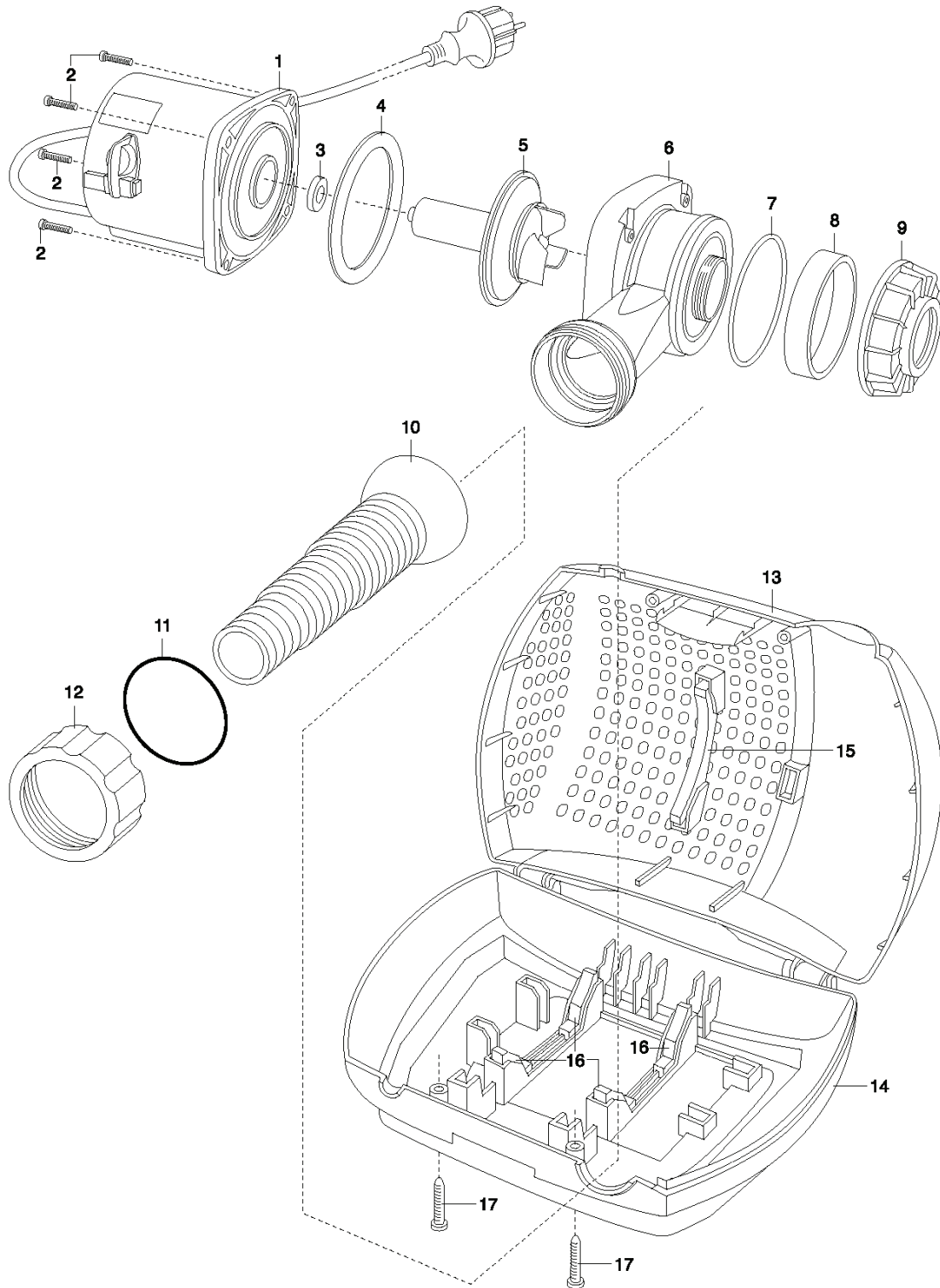


STEAM PUMP FSP 16000 ECONOMIC, Art. 786

SPARE PARTS LIST

GARDENA Filter/Stream Pump FSP 16000 Economic Art. 7866



| REF. | PART NO. | DESCRIPTION | REMARK | QTY. | KIT |
|---------|-----------|---------------------|----------------|------|-----|
| 2 | 525621301 | SCREW | 7863-00.900.01 | 1 | |
| 4 | 525623101 | WASHER | 7865-00.900.01 | 1 | |
| 5 | 525623201 | MOVEMENT UNIT 12000 | 7865-00.900.02 | 1 | |
| 6.7.8.9 | 525623401 | PUMP CAP | 7866-00.900.01 | 1 | |
| 10 | 525622001 | NIPPLE | 7863-00.900.06 | 1 | |
| 11 | 525622101 | O-RING 48X4 | 7863-00.900.07 | 1 | |
| 12 | 525622201 | LOCK NUT | 7863-00.900.08 | 1 | |