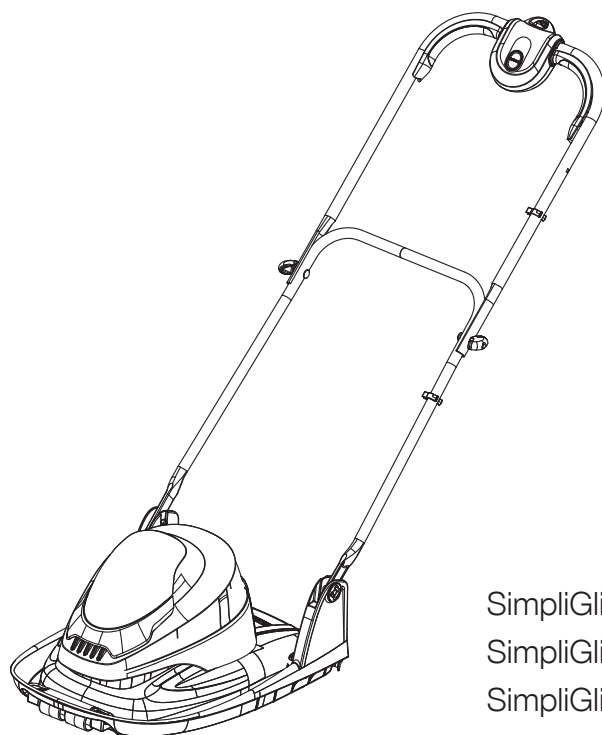




11302-87.960.03

en



SimpliGlide 300

Art. 9704825-02

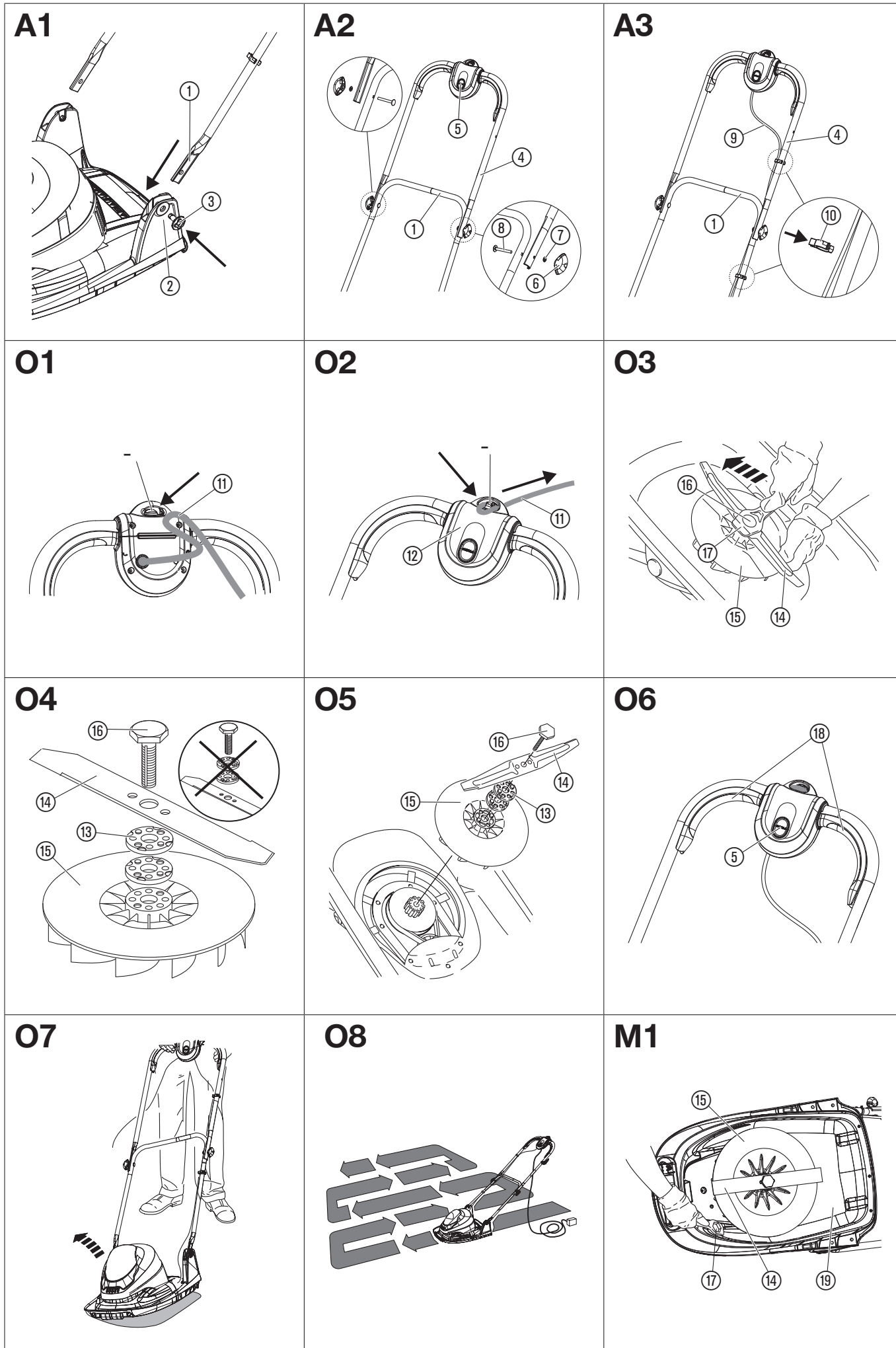
SimpliGlide 330

Art. 9704828-02

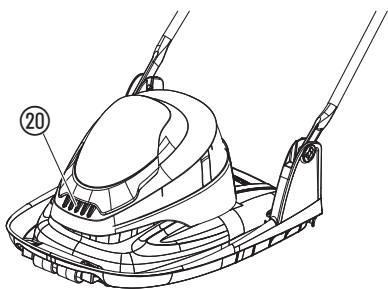
SimpliGlide 360

Art. 9704829-02

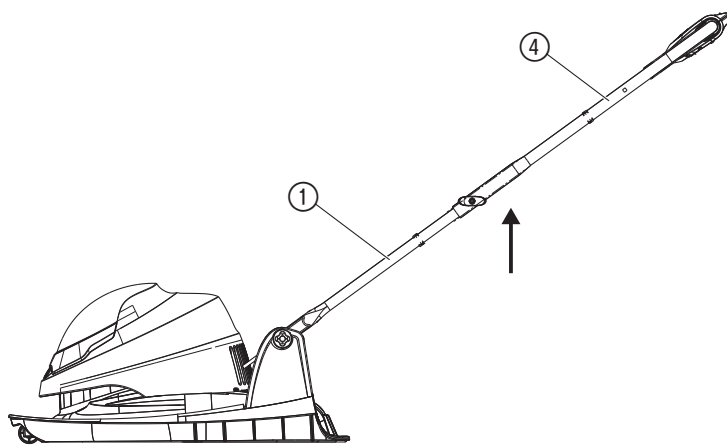
en Operator's manual
Electric Hover Lawnmower



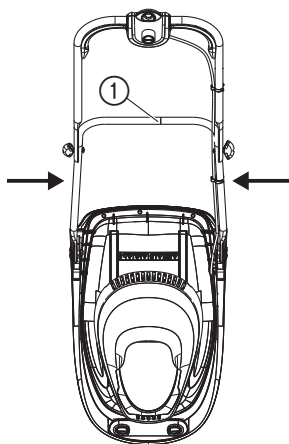
M2



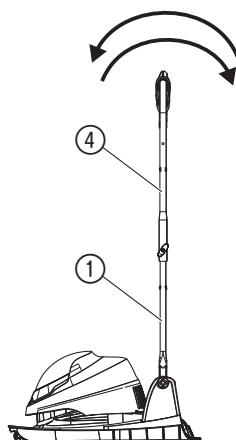
S1



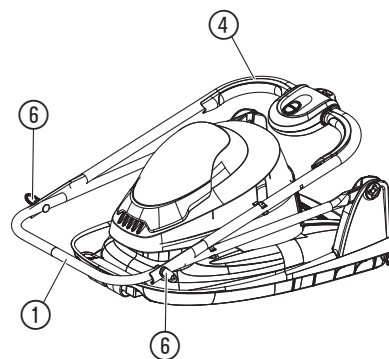
S2



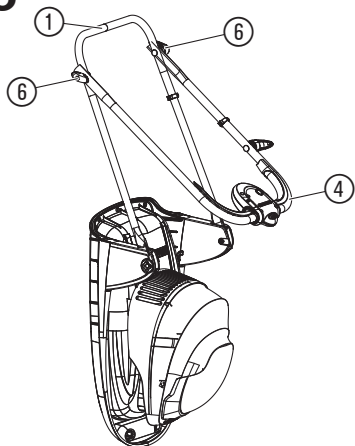
S3



S4



S5



en Electric Hover Lawnmower

Original instructions.

1. SAFETY	4
2. ASSEMBLY	5
3. OPERATION	6
4. MAINTENANCE	6
5. STORAGE	7
6. TROUBLESHOOTING	7
7. TECHNICAL DATA	7
8. ACCESSORIES / SPARE PARTS	7
9. SERVICE	7
10. DISPOSAL	7
11. ANNEX	8

! This product may be used under supervision, or if instruction regarding the safe use of the product has been provided and the resulting dangers have been understood, by children aged 8 and above, as well as by persons with physical, sensory or mental disabilities or a lack of experience and knowledge. Children must not be allowed to play with the product. Cleaning and user maintenance must not be performed by children without supervision. The use of this product by young people under the age of 16 is not recommended.

1. SAFETY

1.1 Symbols on the product



→ Read operator's manual.



WARNING!

→ Be careful of parts being ejected — keep bystanders away.



WARNING!

→ Keep the mains cable away from the blades (not applicable to cordless mowers).



WARNING!

→ Keep hands and feet away from the blades.



WARNING!

→ Unplug the mains plug before maintenance or if the mains cable is damaged (not applicable to cordless mowers).



WARNING!

→ Disconnect the battery before maintenance.



WARNING!

→ Remove the locking device before maintenance (not applicable to cordless lawnmowers without locking device).

1.2 General safety instructions

1.2.1 General machine safety warnings



WARNING!

Read all safety warnings, instructions, illustrations and specifications provided with this machine.

Failure to follow all instructions listed below may result in electric shock, fire and/or serious injury.

Save all warnings and instructions for future reference.

The term „machine“ in the warnings refers to your mains-operated (corded) machine or battery-operated (cordless) machine.

1) Work area safety

- Keep work area clean and well lit.** Cluttered or dark areas invite accidents.
- Do not operate machines in explosive atmospheres, such as in the presence of flammable liquids, gases or dust.** Machines create sparks which may ignite the dust or fumes.
- Keep children and bystanders away while operating a machine.** Distractions can cause you to lose control.

2) Electrical safety

- Machine plugs must match the outlet. Never modify the plug in any way. Do not use any adaptor plugs with earthed (grounded) machines.** Unmodified plugs and matching outlets will reduce risk of electric shock.
- Avoid body contact with earthed or grounded surfaces, such as pipes, radiators, ranges and refrigerators.** There is an increased risk of electric shock if your body is earthed or grounded.
- Do not expose machines to rain or wet conditions.** Water entering a machine will increase the risk of electric shock.

d) Do not abuse the cord. Never use the cord for carrying, pulling or unplugging the machine. Keep cord away from heat, oil, sharp edges or moving parts. Damaged or entangled cords increase the risk of electric shock.

e) When operating a machine outdoors, use an extension cord suitable for outdoor use. Use of a cord suitable for outdoor use reduces the risk of electric shock.

f) If operating a machine in a damp location is unavoidable, use a residual current device (RCD) protected supply. Use of an RCD reduces the risk of electric shock.

3) Personal safety

a) Stay alert, watch what you are doing and use common sense when operating a machine. Do not use a machine while you are tired or under the influence of drugs, alcohol or medication. A moment of inattention while operating machines may result in serious personal injury.

b) Use personal protective equipment. Always wear eye protection. Protective equipment such as dust mask, non-skid safety shoes, hard hat, or hearing protection used for appropriate conditions will reduce personal injuries.

c) Prevent unintentional starting. Ensure the switch is in the off-position before connecting to power source and /or battery pack, picking up or carrying the machine. Carrying machines with your finger on the switch or energising machines that have the switch on invites accidents.

d) Remove any adjusting key or wrench before turning the machine on. A wrench or a key left attached to a rotating part of the machine may result in personal injury.

e) Do not overreach. Keep proper footing and balance at all times. This enables better control of the machine in unexpected situations.

f) Dress properly. Do not wear loose clothing or jewellery. Keep your hair and clothing away from moving parts. Loose clothes, jewellery or long hair can be caught in moving parts.

g) If devices are provided for the connection of dust extraction and collection facilities, ensure these are connected and properly used. Use of dust collection can reduce dust-related hazards.

h) Do not let familiarity gained from frequent use of machines allow you to become complacent and ignore tool safety principles. A careless action can cause severe injury within a fraction of a second.

4) Machine use and care

a) Do not force the machine. Use the correct machine for your application. The correct machine will do the job better and safer at the rate for which it was designed.

b) Do not use the machine if the switch does not turn it on and off. Any machine that cannot be controlled with the switch is dangerous and must be repaired.

c) Disconnect the plug from the power source and /or remove the battery pack, if detachable, from the machine before making any adjustments, changing accessories, or storing machines. Such preventive safety measures reduce the risk of starting the machine accidentally.

d) Store idle machines out of the reach of children and do not allow persons unfamiliar with the machine or these instructions to operate the machine. Machines are dangerous in the hands of untrained users.

e) Maintain machines and accessories. Check for misalignment or binding of moving parts, breakage of parts and any other condition that may affect the machine's operation. If damaged, have the machine repaired before use. Many accidents are caused by poorly maintained machines.

f) Keep cutting tools sharp and clean. Properly maintained cutting tools with sharp cutting edges are less likely to bind and are easier to control.

g) Use the machine, accessories and tool bits etc. in accordance with these instructions, taking into account the working conditions and the work to be performed. Use of the machine for operations different from those intended could result in a hazardous situation.

h) Keep handles and grasping surfaces dry, clean and free from oil and grease. Slippery handles and grasping surfaces do not allow for safe handling and control of the machine in unexpected situations.

5) Service

a) Have your machine serviced by a qualified repair person using only identical replacement parts. This will ensure that the safety of the machine is maintained.

1.2.2 Lawnmower safety warnings

a) Do not use the lawnmower in bad weather conditions, especially when there is a risk of lightning. This decreases the risk of being struck by lightning.

b) Thoroughly inspect the area for wildlife where the lawnmower is to be used. Wildlife may be injured by the lawnmower during operation.

c) Thoroughly inspect the area where the lawnmower is to be used and remove all stones, sticks, wires, bones, and other foreign objects. Thrown objects can cause personal injury.

d) Before using the lawnmower, always visually inspect to see that the blade and the blade assembly are not worn or damaged. Worn or damaged parts increase the risk of injury.

e) Before use, check the supply cord and any extension cord for signs of damage or aging. Do not use the lawnmower if the cord is damaged or worn. If the cord is damaged or worn during use, switch off the lawnmower and do not touch the cord before disconnecting it from the supply. A damaged supply cord or extension cord may result in electric shock, fire and/or serious injury.

f) Check the grass catcher frequently for wear or deterioration. A worn or damaged grass catcher may increase the risk of personal injury.

g) Keep guards in place. Guards must be in working order and be properly mounted. A guard that is loose, damaged, or is not functioning correctly may result in personal injury.

- h) **Keep all cooling air inlets clear of debris.** Blocked air inlets and debris may result in overheating or risk of fire.
- i) **While operating the lawnmower, always wear non-slip and protective footwear. Do not operate the lawnmower when barefoot or wearing open sandals.** This reduces the chance of injury to the feet from contact with the moving blade.
- j) **While operating the lawnmower, always wear long trousers.** Exposed skin increases the likelihood of injury from thrown objects.
- k) **Do not operate the lawnmower in wet grass. Walk, never run.** This reduces the risk of slipping and falling which may result in personal injury.
- l) **Do not operate the lawnmower on excessively steep slopes.** This reduces the risk of loss of control, slipping and falling which may result in personal injury.
- m) **When working on slopes, always be sure of your footing, always work across the face of slopes, never up or down and exercise extreme caution when changing direction.** This reduces the risk of loss of control, slipping and falling which may result in personal injury.
- n) **Use extreme caution when reversing or pulling the lawnmower towards you. Always be aware of your surroundings.** This reduces the risk of tripping during operation.
- o) **Keep the supply cord away from the cutting blades.** A damaged supply cord may result in electric shock, fire and/or serious injury.
- p) **Switch off and remove plug from mains if the cord is entangled or damaged.** Entangled or damaged cords can increase the risk of electric shock.
- q) **Do not touch blades and other hazardous moving parts while they are still in motion.** This reduces the risk of injury from moving parts.
- r) **When clearing jammed material or cleaning the lawnmower, make sure all power switches are off and the power cord is disconnected.** Unexpected operation of the lawnmower may result in serious personal injury.

1.3 Additional safety instructions

1.3.1 Intended use

The **FLYMO Lawnmower** is intended to mow lawn in private domestic gardens and allotments. The product is not intended for long term use.

 **DANGER!**
Risk of injury!

- Do not use the product to cut bushes, hedges, shrubs and perennials, to cut climbing plants or grass on roofs or on balconies, to crush branches and twigs, and to compensate for irregularities in the ground.
- Do not use the product on slopes with an inclination of more than 20°.

1.3.2 Additional electrical safety instructions

 **DANGER!**
Risk of cardiac arrest!

- This product generates an electromagnetic field during operation. This electromagnetic field may affect the functionality of active or passive medical implants (e.g. pacemakers), which may result in serious injury or death.
- Consult your doctor and the manufacturer of your implant before using this product.
 - Remove the plug when you are not using the product.

Cables

If extension cables are used, these must comply with the minimum cross-sections in the table below:

Voltage	Cable length	Cross section
220 – 240 V / 50 Hz	Up to 40 m	1.0 mm ²
220 – 240 V / 50 Hz	Up to 60 m	1.5 mm ²
220 – 240 V / 50 Hz	Up to 100 m	2.5 mm ²

Minimum rating: 1.0 mm² size cable, 10 amps 250 volts AC.

Your product is supplied with cable wired directly into the product.

1. If the supply cord is damaged, it must be replaced by your local Husqvarna UK Ltd. Approved Service Centre or similarly qualified persons in order to avoid a hazard.
2. Do not wire an extension cable directly to your product yourself. Please contact your local Husqvarna UK Ltd. Approved Service Centre for further information on the connectors and kits available.
3. Only use extension cables specifically designed for outdoor use and which conform to one of the following specifications: Ordinary rubber (60245 IEC 53), Ordinary PVC (60227 IEC 53) or Ordinary PCP (60245 IEC 57).

1.3.3 Additional personal safety instructions

 **DANGER!**
Risk of suffocation!


- Smaller parts can be swallowed.
- Keep toddlers away when you assemble the product.

- Stop the machine, remove the mains plug from the mains socket and wait for all moving parts to come to a complete stop.
- If the machine hits a foreign object:
- In this case, inspect the machine for damage and repair it before restarting and operating it again.
- If the machine begins to vibrate abnormally:
- In this case, immediately inspect the machine for damage, replace or repair damaged parts and inspect and tighten any loose parts.
- **Before mowing, check the area to be mowed for hidden objects such as branches and remove them.** This will reduce the risk of the cutting tool becoming jammed.
- Stop the cutting tool if the machine needs to be tilted for transport when crossing surfaces other than grass and when transporting the machine to and from the mowing area.
- Do not tilt the machine when the motor is switched on.
- Empty the grass catcher before storing.
- Recommendation: Perform cleaning and maintenance work before storing.
- **Service the machine regularly.** This increases the life span of the machine.
- **Use only FLYMO-approved spare parts.** Inappropriate spare parts can cause injuries or damage the machine.
- **Do not modify any safety components.** Modifying safety components increases the risk of injury.
- **Take care when adjusting the machine.** This prevents fingers from being caught between the moving cutting tool and stationary parts of the machine.
- Always allow the machine to cool before storing.
- When performing maintenance on the cutting tool, be aware that the cutting tool can still move after it has been switched off.
- Recommendation: Wear hearing protection.

1.3.4 Safety Cut-Out

The motor is protected by a Safety Cut-Out which is activated when the blade becomes jammed or if the motor is overloaded. When this occurs, stop and disconnect the product from the mains. The Safety Cut-Out will only reset when you release the start / stop lever. Clear any obstruction and wait for a few minutes for the Safety Cut-Out to reset before you continue to use the product.

2. ASSEMBLY

 **DANGER!**
Risk of cutting injury from the blade.

- If the product starts unintentionally, people can be injured by the blades.
- Wait until the blade stops.
 - Disconnect the product from the power supply.
 - Wear protective gloves when assembling the product.

2.1 To assemble the lower handle [Fig. A1]

1. Place the end of the lower handle ① into the slots on the deck ②.
2. Secure the lower handles ① to the deck ② by firmly pushing fixing pin ③ through the holes in the deck ② and handle ①.
3. Repeat on the other side.

NOTE: Should a problem occur when securing the handle to the deck with the fixing pin, carefully lever fixing pin out of location and repeat steps 1 to 3 above.

2.2 To assemble the upper handle [Fig. A2 / A3]

1. Make sure that the upper handle ④ is located correctly with the safety lock-off button ⑤ on the switchbox facing upwards.
2. Make sure that the upper handle ④ and the lower handle ① are aligned correctly.
3. Insert the nut into the handle knob ⑥ (if necessary).
4. Fit the bolts ⑧, the washers ⑦ and the handle knobs ⑥ onto the handles ① / ④ in the correct positions.
5. Attach the cable ⑨ to the handles ① / ④ with the clips ⑩ provided.
6. Make sure that the cable ⑨ is not trapped between the upper handle ④ and lower handle ①.

2.3 To replace the blade

 **DANGER!**
Risk of cutting injury from damaged blade.

- Cut injury when the blade turns and it is damaged, bent, out of balance or has chipped edges.
- Do not use the mower when the blade is damaged, bent, out of balance or has chipped edges.
 - Do not regrind the blade.

→ **Only use an original FLYMO blade, see 8. Accessories / Spare Parts**

→ The FLYMO spare parts are available from your FLYMO dealer or from the FLYMO service.

→ Replace the blade (see 3.2 To adjust the cutting height [Fig. O3 / O4 / O5]).

3. OPERATION

DANGER!

Risk of cutting injury from the blade.

If the product starts unintentionally, people can be injured by the blades.

- Wait until the blade stops.
- Disconnect the product from the power supply.
- Wear protective gloves when adjusting or transporting the product.

3.1 To connect the mower [Fig. O1 / O2]

DANGER!

Electric shock.

To avoid damage to the mains cable ⑪, the mains cable ⑪ must be inserted into the cable lock (L).

- Before you operate insert the mains cable ⑪ into the cable lock (L).

1. Form a loop in the mains cable ⑪, insert the loop into the cable lock (L) slot in the switchbox ⑫ and pull tight.
2. Connect the mains cable ⑪ into a 230 V mains socket.

3.2 To adjust the cutting height [Fig. O3 / O4 / O5]

CAUTION!

Risk of damage to the product.

- Do not use more than 3 cutting height spacers ⑬.
- The cutting height spacers ⑬ must only be fitted between the blade ⑭ and the fan ⑮.
- Do not fit the cutting height spacers ⑬ between the blade ⑭ and the blade bolt ⑯.

1. To remove the blade bolt ⑯, hold the fan ⑮ firmly and loosen the blade bolt ⑯ with the spanner ⑰ provided.
 2. Remove the blade bolt ⑯, the blade ⑭, the cutting height spacers ⑬ and the fan ⑮.
 3. Inspect for damage and clean as necessary.
 4. Put the fan ⑮ on the product.
- Make sure that the fan ⑮ is fully in place and the hole of the fan is inline up with the threaded hole.

5. Put the cutting height spacers ⑬ onto the fan ⑮.

Higher Cut – less cutting height spacers

Lower Cut – more cutting height spacers

- Make sure that the pegs have located into the holes.

6. Put the blade ⑭ on by aligning the D-shaped holes onto the cutting height spacers ⑬.
- Make sure that the pegs have located into the holes on the blade.
7. Put the blade bolt ⑯ through the centre hole of the blade ⑭.
8. Tighten down the blade bolt ⑯ clockwise by hand.
9. Hold the fan ⑮ firmly and tighten the blade bolt ⑯ with the spanner ⑰ provided.

Operation position:

Adjustment is not required to move the handle to the operating position. Simply pull down from the forward position or lift up from the down position until the handle is in the most comfortable operating position.

3.3 To start the mower [Fig. O6 / O7]

DANGER!

Risk of injury

Risk of injury if the product does not stop when the start lever is released.

- Do not bypass the safety device or switches.
- For example, do not attach the start lever to the handle.
- Do not make any changes to the product that are not described in this manual.

3.3.1 To start

The product is provided with a two-handed safety device (start lever ⑱ and safety lock-off button ⑤) to prevent the product from being turned on by accident.

There are two start levers ⑱ fitted. Either one has to be used to start.

1. Push the safety lock-off button ⑤ with one hand and pull the start lever ⑱ with the other hand.

The mower starts.

2. Release the safety lock-off button ⑤.

To prevent a ring being cut in the lawn and to clear any residual grass, tilt the mower slightly. When the lawnmower has reached full speed gently lower it onto the lawn.

3.3.2 To stop

- Release the start lever ⑱.

The mower stops.

Tips to use the mower [Fig. O8]

Mow twice a week during the growing season.

The lawn will suffer if more than a third of its length is cut at one time.

For the best results mow the outside edge of the lawn in a clockwise direction first.

Start to mow the edge of the lawn nearest to the power point.

So the cable is laid out on the lawn you have already cut.

For the best cutting results mow in straight lines with an overlap of approximately 8 – 10 cm on each pass with the mower.

Do not overload the mower. To mow long thick grass may cause the motor speed to drop and you will hear a change in the motor sound.

If the motor speed drops you may overload the mower which may cause damage. When you mow in long thick grass a first cut with the cutting height set higher will help reduce the load.

See 3.2 To adjust the cutting height [Fig. O3 / O4 / O5].

4. MAINTENANCE

DANGER!

Risk of cutting injury from the blade.

If the product starts unintentionally, people can be injured by the blades.

- Wait until the blade stops.
- Disconnect the product from the power supply.
- Wear protective gloves when maintaining the product.

4.1 To clean the mower

DANGER!

Risk of injury!

Risk of injury and risk of damage to the product.

- Do not use water or a water jet (especially a high-pressure water jet) to clean the product. *This can damage the product or allow water to penetrate the electrical components and cause corrosion or short circuits.*
- Do not clean with chemicals, including petrol or solvents. Some can destroy critical plastic parts.

WARNING!

Fire hazard due to blocked airflow slots

Grass clippings left in any of the air intakes or under the deck could become a potential fire hazard.

- The airflow slots must always be clean.
- After receiving your lawnmower from the manufacturer, it is very important that you keep your unit clean.

4.2 To clean the underside of the mower [Fig. M1]

The underside is easiest to clean after you mowed.

1. Lay the mower on its side carefully.
2. Clean the underside ⑲ by removing any grass build up with the spanner / scraper tool ⑰.
3. Clean the blade ⑭ and the fan ⑮ with a soft brush (do not use sharp objects).

4.3 To clean the outside of the mower [Fig. M2]

1. Clean the outside with a dry cloth.
2. Clean the airflow slots ⑳ with a soft brush (do not use sharp objects).

5. STORAGE

5.1 To put into storage

The product must be stored away from children.

1. Disconnect the product from the mains.
2. Clean the mower (see 4. MAINTENANCE).
3. Store the mower in a dry, enclosed and frost-free place.

5.2 Storage positions

There are two kinds of storing the mower:

- Lying storage position [Fig. S4]
- Wall-mounting storage position [Fig. S5]

NOTE: When wall-mounting storage, always hang the mower from the lower handle ① cross section.

5.3 To fold the handle [Fig. S1 / S2 / S3 / S4 / S5]

1. Lift up and support the handles ① / ④ by approximately 5 cm.
2. To unlock, push the lower handle ① inwards from both sides simultaneously.
3. **For the lying storage position:** Rotate the handles ① / ④ forwards.

Or:

- **For the wall-mounting storage position:** Rotate the handles ① / ④ backwards.
- 4. Loosen the handle knobs ⑥ and fold the upper handle ④.
- Make sure that the cable is not locked between the lower and the upper handle.

6. TROUBLESHOOTING



DANGER!

Risk of cutting injury from the blade.

If the product starts unintentionally, people can be injured by the blades.

- Wait until the blade stops.
- Disconnect the product from the power supply.
- Wear protective gloves when troubleshooting the product.

Problem	Possible Cause	Remedy
Mower does not start	Mains cable is disconnected or damaged.	→ Connect the mains cable or if necessary replace it.
	Motor is blocked.	→ Remove the obstacle.
Motor is jammed and makes a noise	Motor is blocked.	→ Remove the obstacle.
	Cutting height is too low.	→ Raise the cutting height.
Loud noises, the mower is rattling	Screws on motor, its fixing or on the mower chasing are loose.	→ Let the screws be tightened by an authorised specialist dealer.
Mower runs unevenly or vibrates strongly	Blade is damaged / worn or the blade mounting is released.	→ Replace the blade.
	Blade is very dirty.	→ Clean the mower (see 4. MAINTENANCE). → If this does not rectify the problem, replace the blade.
Lawn is not cleanly mowed	Blade is blunt or damaged.	→ Replace the blade.
	Cutting height is too low.	→ Raise the cutting height.
Poor flotation	Underside of the mower is dirty.	→ Clean the underside of the mower.
	Cutting height is too low.	→ Raise the cutting height.
	Fan is damaged.	→ Check and replace the fan.
	If poor flotation persists, contact the local approved Service Centre.	



NOTE: For any other malfunctions please contact the FLYMO customer service. Repairs must only be done by FLYMO customer service or specialist dealers approved by FLYMO.

7. TECHNICAL DATA

Electric Hover Lawnmower	Unit	Value 9704825-xx (30 cm)	Value 9704828-xx (33 cm)	Value 9704829-xx (36 cm)
Rated power	W	1900	1900	2000
Mains voltage	V	230	230	230
Mains frequency	Hz	50	50	50
Speed of rotation cutting blade	R/min	4200	4200	4200
Cutting width	cm	30	33	36
Cutting height adjustment (4 positions)	mm	10 – 30	10 – 30	10 – 30
Weight	kg	7.3	7.3	7.5
Sound pressure level L_{PA}¹⁾	dB(A)	83	83	80
Uncertainty k_{PA}	dB(A)	3.0	3.0	3.0
Sound power level L_{WA}²⁾ measured / guaranteed	dB(A)	93 / 95	93 / 95	93 / 94
Hand / arm vibration a_{vhw}¹⁾	m/s ²	< 2.5	< 2.5	< 2.5
Uncertainty k_{vhw}		1.5	1.5	1.5

Measuring process complying with: 1) EN IEC 62841-4-3 2) RL 2000/14/EC / S.I. 2001 No.1701

NOTE:

- that the vibration emission during actual use of the machine can differ from the declared value depending on the ways in which the machine is used; and
- of the need to identify safety measures to protect the operator that are based on an estimation of exposure in the actual conditions of use (taking account of all parts of the operating cycle such as the times when the machine is switched off and when it is running idle in addition to the trigger time)

→ Please consult the supply authority, if necessary, that the equipment is connected only to a supply of an impedance no more than 0.354 Ω.

*This maximum permissible system impedance at the interface point of the user's supply is according to the test value of **SimpliGlide 360V**.*

8. ACCESSORIES / SPARE PARTS

The FLYMO spare parts are available from your FLYMO dealer or from the FLYMO service.

→ **Only use an original FLYMO blade:**

FLYMO Replacement Blade for 30 cm As replacement for blunt blade. **Reference no. FLY094 Part no. 529370590**

FLYMO Replacement Blade for 33 cm As replacement for blunt blade. **Reference no. FLY095 Part no. 529370790**

FLYMO Replacement Blade for 36 cm As replacement for blunt blade. **Reference no. FLY096 Part no. 529370890**

9. SERVICE

Service

Please find the current contact information of our service on the back page and online:



<https://www.flymo.com/uk/content/contact-us>

10. DISPOSAL

10.1 Disposal of the product

(in accordance with Directive 2012/19/EU / S.I. 2013 No. 3113)





The product must not be disposed of together with normal household waste. It must be disposed of in line with local environmental regulations.

IMPORTANT!



→ Dispose of the product through or via your local recycling collection centre.

11. ANNEX

11.1. EU – Declaration of Conformity

	The undersigned GARDENA Germany AB, PO Box 160 89, S-103 92, Stockholm, Sweden hereby certifies that, when leaving our factory, the unit(s) indicated below is/are in accordance with the harmonised EU guidelines, EU standards of safety and product specific standards. This certificate becomes void if the units are modified without our approval.
Description of the unit:	Lawn Mower
Type:	300 330 360
Article number:	9704825-xx 9704828-xx 9704829-xx
EU directives:	2006/42/EG 2014/30/EU 2011/65/EU 2000/14/EG
Harmonised Standard:	EN ISO 12100 EN 62841-1 EN IEC 62841-4-3
Noise level: measured / guaranteed:	Art. 9704825-xx: 93 dB(A) / 95 db(A) Art. 9704828-xx: 93 dB(A) / 95 db(A) Art. 9704829-xx: 93 dB(A) / 94 db(A)
Conformity Assessment Procedure:	According to 2000/14/EC Art.14 Annex VI
Notified body:	DEKRA Testing and Certification GmbH Handwerkstraße 15 70565 Stuttgart Germany
Number of notified body:	0158
Deposited Documentation:	GARDENA Manufacturing GmbH Technische Dokumentation, A. Ochs Hans-Lorenser-Str. 40 89079 Ulm / Germany
Year of CE marking:	2021
Ulm, 29.11.2024	 Martin Lienhard , Senior Vice President, Business Unit Electric and Battery

11.2. UKCA – Declaration of Conformity

	Declaration of Conformity [only for UK] The manufacturer: GARDENA Germany AB, PO Box 160 89, S-103 92, Stockholm, Sweden hereby certifies that, when leaving our factory, the unit(s) indicated below is/are in accordance with the UK Regulations, designated standards of safety and product specific designated standards. This certificate becomes void if the units are modified without our approval.
Description of the product:	Lawn Mower
Type:	300 330 360
Article number:	9704825-xx 9704828-xx 9704829-xx
UK regulations:	S.I. 2008/1597 S.I. 2016/1091 S.I. 2012/3032 S.I. 2001/1701
Designated standards:	EN ISO 12100 EN 62841-1 EN IEC 62841-4-3
Approved Body:	DEKRA Testing and Certification GmbH Handwerkstraße 15 70565 Stuttgart Germany
Approved Body Number:	0158
Noise level: measured / guaranteed	Art. 9704825-xx: 93 dB(A) / 95 db(A) Art. 9704828-xx: 93 dB(A) / 95 db(A) Art. 9704829-xx: 93 dB(A) / 94 db(A)
Conformity Assessment Procedure:	According to S.I. 2001/1701 Art.11 Schedule 9
Dokumentation Deposited:	GARDENA Manufacturing GmbH, Technische Dokumentation, A. Ochs D-89079 Ulm, Hans-Lorenser-Str.40
UK importer: Authorized representative	Husqvarna UK Limited Preston Road, Aycliffe, County Durham UK DL5 6UP
Ulm, 29.11.2024	 Martin Lienhard Senior Vice President Business Unit Electric and Battery



**Service Address and Importer to
South Africa**

Husqvarna South Africa (Pty) Ltd
Postnet Suite 250
Private Bag X6
Cascades, 3202
South Africa
Phone: (+27) 33 846 9700
info@gardena.co.za



11302-87.960.03/1224
Husqvarna AB
Drottninggatan 2
SE-561 82 Huskvarna
Sweden

Our policy of continuous improvement means that the specification of products may be altered from time to time without prior notice.

Copyright © 2024 Flymo S.A. All rights reserved.

Flymo® and other product and feature names are registered or unregistered trademarks of Flymo S.A.