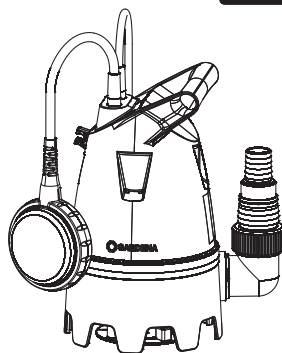


**8200 BASIC** Art. 9000-29  
**8600 BASIC** Art. 9001-29



**9200 BASIC** Art. 9007-29  
**10500 BASIC** Art. 9008-29

#### en Operator's manual

Clear Water Submersible Pump/  
Dirty Water Submersible Pump

#### ru Руководство по эксплуатации

Погружной насос для чистой воды/  
Погружной насос для грязной воды

#### pl Instrukcja obsługi

Pompa zanurzeniowa do czystej wody/  
Pompa zanurzeniowa do brudnej wody

#### hu Használati utasítás

Búvárszivattyú tiszta vízhez/  
Búvárszivattyú szennyezett vízhez

#### cs Návod k použití

Ponorné čerpadlo na čistou vodu/  
Ponorné čerpadlo na špinavou vodu

#### sk Návod na použitie

Ponorné čerpadlo na čistú vodu/  
Ponorné čerpadlo na znečistenú vodu

#### el Οδηγίες χρήσης

Υποβρύχια αντλία καθαρού νερού/  
Υποβρύχια αντλία λυμάτων

#### sl Navodilo za uporabo

Potopna črpalka za čisto vodo /  
Potopna črpalka za umazano vodo

#### hr Upute za uporabu

Uronska pumpa za čistu vodu/  
Uronska pumpa za prljavu vodu

#### sr Uputstvo za rad

Potopna pumpa za čistu vodu/  
Potopna pumpa za prljavu vodu

#### uk Інструкція з експлуатації

Занурювальний насос для чистої  
води/Занурювальний насос для  
брудної води

#### ro Instrucțiuni de utilizare

Pompă submersibilă pentru apă curată/  
Pompă submersibilă pentru apă murdară

#### tr Kullanma Kılavuzu

Berrak su dalgıç pompası/  
Kirlı su dalgıç pompası

#### bg Инструкция за експлоатация

Потопяема помпа за чиста вода/  
Потопяема помпа за мръсна вода

#### sq Manual përdorimi

Pompa zhytëse e ujit të pastër/  
Pompa zhyrëse e ujit të ndotur

#### et Kasutusjuhend

Selge vee sukelpump/Reovee sukelpump

#### lt Eksploatavimo instrukcija

Panardinamas švaraus vandens siurblys/  
Panardinamas purvino vandens siurblys

#### lv Lietošanas instrukcija

legremdējamais tirā ūdens sūkņis/  
legremdējamais notekūdens sūkņis

en

ru

pl

hu

cs

sk

el

sl

hr

sr

uk

ro

tr

bg

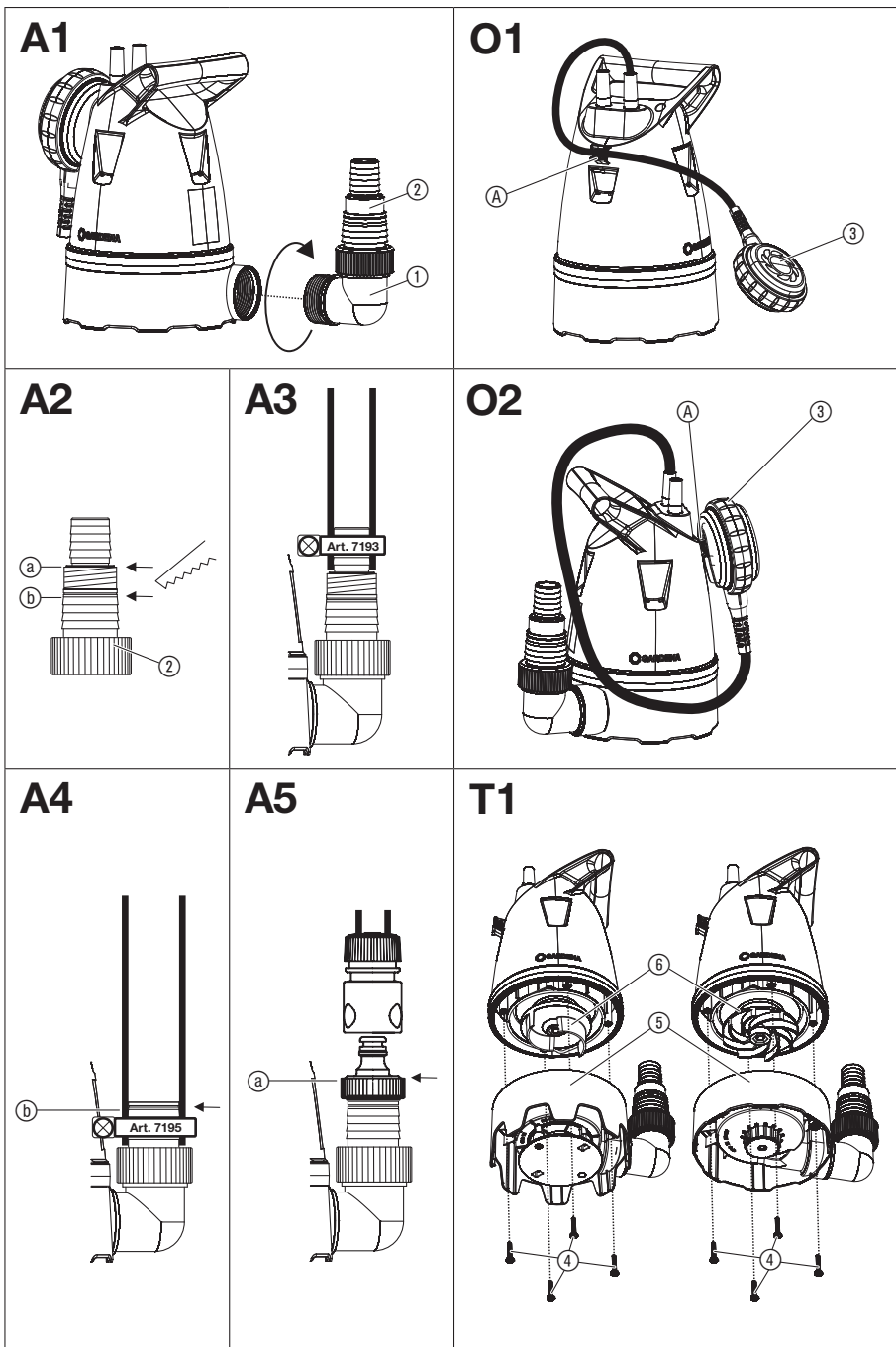
sq

et

lt

lv





# GARDENA Clear Water Submersible Pump / Dirty Water Submersible Pump

1. SAFETY INSTRUCTIONS .....	4
2. ASSEMBLY .....	5
3. OPERATION .....	6
4. MAINTENANCE .....	7
5. STORAGE .....	7
6. TROUBLESHOOTING .....	7
7. TECHNICAL DATA .....	8
8. ACCESSORIES/ SPARE PARTS .....	8
9. SERVICE .....	8

when you are tired, ill or under the influence of alcohol, drugs or medicine.

## Intended use:

The **GARDENA Submersible Pump** is intended for drainage purposes if flooding occurs but also for transferring water to and from tanks and pumping them out, for drawing water from wells and shafts, for draining boats and yachts and for aerating and circulating water for limited periods and for pumping chlorinated water in private domestic gardens and allotments.

## Original instructions.



This product may be used under supervision, or if instruction regarding the safe use of the product has been provided and the resulting dangers have been understood, by children aged 8 and above, as well as by persons with physical, sensory or mental disabilities or a lack of experience and knowledge. Children must not be allowed to play with the product. Cleaning and user maintenance must not be performed by children without supervision. The use of this product by young people under the age of 16 is not recommended. Never operate the product

## Liquids to be pumped:

The GARDENA Submersible Pump must only be used to pump water.

The pump is fully submersible (water-tight encapsulation) and is submerged in water (for max. submersion depth, see 7. TECHNICAL DATA).

The product is suitable for pumping the following liquids:

- **Clear Water Submersible Pump:** clean to slightly dirty water with a max. particle size of 5 mm.
- **Dirty Water Submersible Pump:** dirty water with a max. particle size of 25 mm.

The product is not intended for long term use (continuous circulation operation).



## DANGER! Risk of injury!

→ The pump should not be used for the delivery of salt water, corrosive, easily inflammable or explosive liquids (e.g. petrol, paraffin, thinners), oil, heating oil or foodstuffs.

## 1. SAFETY INSTRUCTIONS

### IMPORTANT!

Read the operator's manual carefully before use and keep for future reference.

### Symbols on the product:



Read operator's manual.

### General safety warnings

#### Electrical safety



**DANGER! Electric shock!**

**Risk of injury due to electric current.**

→ The product must be supplied through a residual current device (RCD) having a rated residual operating current not exceeding 30 mA.



**DANGER! Risk of physical injury!**

**Risk of injury due to electric current.**

→ Disconnect the product from the mains before you maintain or replace parts. Thereby the disconnected socket must be in the visual range.

### Safe operating practices

The water temperature should not exceed 35 °C.

The pump must not be used when people are in the water.

Pollution of the liquid could occur due to leakage of lubricants.

Keep bystanders away from the water.

Operate the pump only with the elbow connector.

### Circuit breaker

#### Thermal protection switch:

In the event of an overload, the pump is switched off by the built-in thermal motor protection. After sufficient cooling of the motor, the pump is operational again.

### Automatic venting

This pump is equipped with a vent valve which eliminates any air pockets in the pump. Depending on the function, a small amount of water can escape from the side of the housing.

### Additional safety warnings

#### Electrical safety



#### **DANGER! Cardiac arrest!**

**This product makes an electromagnetic field while it operates. This field may under some conditions interfere with active or passive medical implants. To decrease the risk of conditions that can possibly injure or kill, we recommend persons with medical implants to speak with their physician and the medical implant manufacturer before you operate the product.**

#### Cables

If extension cables are used, these must comply with the minimum cross-sections in the table below:

Voltage	Cable length	Cross section
230 – 240 V/50 Hz	Up to 20 m	1.5 mm <sup>2</sup>
230 – 240 V/50 Hz	20 – 50 m	2.5 mm <sup>2</sup>



#### **DANGER! Electric shock!**

**With a cut off mains plug, moisture can get into electrical parts via the mains cable and cause a short circuit.**

- **Never cut the mains plug off (e.g. to feed through wall).**
- Don't use the power cable for plugging off.
- If the supply cord is damaged, it must be replaced by the manufacturer, its service agent or similarly qualified persons in order to avoid a hazard.

Mains plug and extension connections must be protected from water splashes.

Ensure that the electrical connections for plugs and sockets are made in areas safe from flooding.

Protect the mains plug and the mains power cable from heat, oil and sharp edges.

Observe the mains voltage. The information on the nameplate must be in agreement with the data for the mains power grid.

The pump's mains plug must be disconnected before anybody enters the swimming pool or touches the surface of the water.

The mains power cable must not be used for fastening or transporting the pump.

For submerging or lifting/securing the pump, please use a fastening rope.

Please regularly check the connecting line.

Before using, always subject the pump (especially the power cables and the power connections) to a visual inspection.

A pump which is damaged should not be used. In the event of damage, have the pump checked by GARDENA Service.

Assembly instructions: Retighten all screws by hand.

Before use after maintenance, make sure that all parts are screwed together.

When using our pumps with a generator, the warnings of the generator manufacturer must be observed.

#### Personal safety



#### **DANGER! Risk of suffocation!**

**Small parts can be easily swallowed. There is also a risk that the polybag can suffocate toddlers. Keep toddlers away when you assemble the product.**

Observe the minimum water level in accordance with the characteristics given for the pump.

Allow the pump to run no longer than 10 minutes against a closed pressure side.

Sand and other abrasive substances cause increased wear and reduce the pump's output.

The float switch may only be operated outside the water.

The hose must not be disconnected during operation.

Allow the pump to cool down before troubleshooting.

The pump must not be operated without the mounted contra-angle handpiece.

## 2. ASSEMBLY



#### **DANGER! Risk of injury!**

**Injury when the product starts accidentally.**

- **Disconnect the product from the mains before you assemble the product.**

**To screw the elbow connector into the pump [Fig. A1]:**



#### **DANGER! Risk of injury!**

**Cut injury by the impeller.**

- **Operate the pump only with the elbow connector.**

→ Screw the elbow connector ① clockwise into the pump.

The hose can be connected via the pump connection ① and the connection nipple ② [25 mm (1") and 38 mm (1 1/2")] or via the GARDENA Connection System [13 mm (1/2")/16 mm (5/8")/19 mm (3/4")]. When using a 38 mm (1 1/2") hose, the pump has the maximum delivery capacity.

#### Connect hose via connection nipple [Fig. A2/A3/A4]:

25 mm (1")- and 38 mm (1 1/2")-hoses can be connected via the connection nipple ②.

Hose diameter	25 mm (1")	38 mm (1 1/2")
<b>GARDENA Hose Clamp</b>	<b>Art. 7193</b>	<b>Art. 7195</b>
<b>Hose connection</b> [Fig. A2]	Do not detach nipple [Fig. A3].	Detach nipple at ② [Fig. A4].

25 mm (1")- and 38 mm (1 1/2") hoses connected with a connection nipple ② must be fastened, for example with a **GARDENA Hose Clamp Art. 7193/7195**.

1. Screw the elbow connector into the pump.
2. Screw connection nipple ② onto the pump connection ①. (For 38 mm (1 1/2") hoses, first detach the connection nipple ② in the groove at ⑥).
3. Push the hose onto the connection nipple ② and fix e.g. with a **GARDENA Hose Clamp Art. 7193/7195**.

#### Connect hose via the GARDENA Connection System [Fig. A5]:

We do not recommend to use hoses with a diameter smaller than 19 mm (3/4"), as otherwise the flow rate will be reduced.

Hose diameter	Pump connection
<b>19 mm (3/4")</b>	<b>GARDENA Pump Connection Set Art. 1752</b>

→ Connect the hose via the relevant GARDENA Connection System.

## 3. OPERATION



#### **DANGER! Risk of injury!**

**Injury when the product starts accidentally.**

→ **Disconnect the product from the mains before you connect, adjust or transport the product.**

#### **To pump water:**

If the pump cannot be immersed into the water reservoir via the handle, the pump must always be immersed into the well or water reservoir via a rope. Minimum immersion depth during initial operation see 7. TECHNICAL DATA.

Take care that the pump is located where the inlet openings at the suction base are not obstructed neither completely nor partly.

Stand the pump on a brick if using in a pond.

1. Submerge the pump in water reservoir.
2. Connect the pump to the mains.  
*Attention! The pump begins operating immediately.*

#### **Automatic mode with float switch [Fig. O1]:**

**So that the pump automatically switches off when there is no liquid to pump, the Float Switch ③ must be able to freely move on the surface of the water.**

#### **To adjust the Cut-in and Cut-out Height [Fig. O1]:**

The maximum cut-in height and minimum cut-out height (see 7. TECHNICAL DATA) can be adjusted by pushing the float switch wire into the float switch lock.

- The shorter the length of cable between the float switch ③ and the float switch lock ④, the lower the cut-in height and the higher the cut-out height.
- Push the cable of the float switch ③ into the opening in the float switch lock ④.



#### **CAUTION!**

**In order to ensure that the float switch is able to switch on and off, the cable length between the float switch and the float switch lock must be at least 10 cm.**

#### **Manual operation [Fig. O2]:**

**The pump remains permanently in operation because the float switch is bypassed.**

1. Slide the float switch ③ with the cable downwards onto the float switch locking device ④.
2. Stand the pump on a firm surface.
3. Connect the pump to the mains.  
*Attention! The pump begins operating immediately.*

The minimum residual water depth (see 7. TECHNICAL DATA) is only achieved in manual mode because the float switch already switches off the pump before this when in automatic mode.

## 4. MAINTENANCE



**DANGER! Risk of injury!**

**Injury when the product starts accidentally.**

→ **Disconnect the product from the mains before you maintain the product.**

### To flush the pump:

After pumping chlorinated water, the pump must be flushed.

1. Pump lukewarm water (max. 35 °C), possibly adding a mild cleaning agent (e. g. detergent) until the pumped water runs clear.
2. Remove residuals according to the waste disposal laws applicable in your area.

## 5. STORAGE

### To put into storage:

**The pump is not frost-proof!**

**The product must be stored away from children.**

1. Disconnect the pump from the mains.
2. Turn the pump upside down until no more water runs out.
3. Clean the pump (see 4. MAINTENANCE).
4. Store the pump in a dry, enclosed and frost-free place.

### Disposal of the product:

(in accordance with RL2012/19/EC)



The product must not be disposed of to normal household waste. It must be disposed of in line with local environmental regulations.

### IMPORTANT!

→ Dispose of the product through or via your municipal recycling collection centre.

## 6. TROUBLESHOOTING



**DANGER! Risk of injury!**

**Injury when the product starts accidentally.**

→ **Disconnect the product from the mains before you troubleshoot the product.**

2. Pull the suction base ⑤ off the pump.
3. Clean suction base ⑤ and impeller ⑥ (the warranty does not become void as a result of this maintenance work).
4. Reinstall the suction base ⑤.
5. Screw in the 4 Phillips screws ④ again.

### To clean the suction base and the impeller [Fig. T1]:

1. Unscrew the 4 Phillips screws ④.

**For safety reasons a damaged impeller can only be exchanged by the GARDENA Service Centre.**

Problem	Possible Cause	Remedy
<b>Pump is running, but doesn't deliver water</b>	Air cannot escape, because the pressure line is closed. (Possible kink in the pressure hose.)	→ Open the pressure line (e.g. shut-off valve, delivery units).
	Air in suction foot.	→ Wait for about 60 seconds until the pump has vented; if necessary, turn off and then on again.
	Suction opening is clogged.	→ Clean the suction opening with a water jet.
	Hose is clogged.	→ Remove the clog from the hose.
	Impeller is blocked.	→ Clean the impeller.
	Water level below minimum water level when put into operation.	→ Submerge the pump deeper.
<b>Pump does not start, or stops suddenly during operation</b>	Thermal switch has turned the pump off because of overheating.	→ Clean the suction opening. Observe the max. media temperature (35 °C).
	No power supply to the pump.	→ Check fuses and electrical plug connections.
	RCD has triggered (residual current).	→ Disconnect the pump and contact the GARDENA Service.

Problem	Possible Cause	Remedy
<b>Pump is running but the delivery drops suddenly</b>	Suction opening is clogged.	→ Clean the suction opening with a water jet.
	Hose is clogged.	→ Remove the clog from the hose.



**NOTE: For any other malfunctions please contact the GARDENA service department. Repairs must only be done by GARDENA service departments or specialist dealers approved by GARDENA.**

## 7. TECHNICAL DATA

<i>Submersible Pump</i>	Unit	Value (Art. 9000)	Value (Art. 9001)	Value (Art. 9007)	Value (Art. 9008)
<b>Rated power</b>	W	250	400	250	400
<b>Mains voltage</b>	V (AC)	230	230	230	230
<b>Mains frequency</b>	Hz	50	50	50	50
<b>Max. delivery capacity</b>	l/h	8200	8600	9200	10,500
<b>Max. pressure/ max. delivery head</b>	bar / m	0.5 5.0	0.55 5.5	0.4 4.0	0.5 5.0
<b>Max. submersion depth</b>	m	6	6	6	6
<b>Min./max. cut-in height</b>	cm	23 / 50	23 / 50	26 / 45	26 / 45
<b>Min./max. cut-out height</b>	cm	7 / 20	7 / 20	11 / 16	11 / 16
<b>Residual water level</b>	mm	4	4	25	25
<b>Dirty water with max. particle diameter</b>	mm	5	5	25	25
<b>Minimum water depth for operation (approx.)</b>	cm	25	25	50	50
<b>Power cable</b>	m	10 (H05RN-F)	10 (H05RN-F)	10 (H05RN-F)	10 (H05RN-F)
<b>Weight without cable (approx.)</b>	kg	2.55	2.85	2.55	2.9
<b>Max. media temperature</b>	°C	35	35	35	35

## 8. ACCESSORIES/SPARE PARTS

<b>GARDENA Hose Clamp</b>	For 25 mm (1") hoses via the connection nipple.	<b>Art. 7193</b>
<b>GARDENA Hose Clamp</b>	For 38 mm (1 1/2") hoses via the connection nipple.	<b>Art. 7195</b>
<b>GARDENA Pump Connection Set</b>	For 19 mm (3/4") hoses via the GARDENA Connection System.	<b>Art. 1752</b>
<b>GARDENA Flat Hose Set</b>	10 m 38 mm (1 1/2") hose with hose clamp.	<b>Art. 5005</b>

## 9. SERVICE

The current contact information for our service department can be found online:

[www.gardena.com/contact](http://www.gardena.com/contact)



# GARDENA Погружной насос для чистой воды / Погружной насос для грязной воды

1. УКАЗАНИЯ ТЕХНИКИ БЕЗОПАСНОСТИ . . . . .	9
2. МОНТАЖ . . . . .	11
3. ЭКСПЛУАТАЦИЯ . . . . .	11
4. ТЕХНИЧЕСКОЕ ОБСЛУЖИВАНИЕ . . . . .	12
5. ХРАНЕНИЕ . . . . .	12
6. УСТРАНЕНИЕ НЕИСПРАВНОСТЕЙ . . . . .	12
7. ТЕХНИЧЕСКИЕ ДАННЫЕ . . . . .	13
8. ПРИНАДЛЕЖНОСТИ/ЗАПАСНЫЕ ЧАСТИ . . . . .	14
9. СЕРВИС . . . . .	14

## Перевод оригинальных инструкций.



Данное изделие может использоваться детьми возрастом от 8 лет и лицами с ограниченными физическими, сенсорными или умственными способностями или с недостаточным опытом и знаниями, если они будут работать под надзором, им будет разъяснен порядок безопасной работы с устройством и связанные с этим опасности. Не допускается игра детей с изделием. Детям не разрешается выполнять чистку и обслуживание устройства без надзора взрослых. Мы не рекомендуем пользоваться изделием детям младше 16 лет. Никогда не работайте с изделием, если Вы устали, больны или

находитесь под воздействием алкоголя, наркотиков или медикаментов.

### Применение в соответствии с назначением:

**GARDENA Погружной насос** предназначен для откачки воды при наводнениях, но также для перекачки и откачки из резервуаров, подъема воды из колодцев и шахт, откачки воды из лодок и яхт, а также для ограниченной по времени аэрации и циркуляции воды и для перекачки хлорированной воды в частных садах и огородах.

### Перекачиваемые жидкости:

С помощью GARDENA погружного насоса разрешается перекачивать только воду.

Насос можно полностью погружать в воду (водонепроницаемая капсула) (макс. глубина погружения указана в 7. ТЕХНИЧЕСКИЕ ДАННЫЕ).

Изделие подходит для перекачки следующих жидкостей:

- **Погружной насос для чистой воды:**  
чистая и слегка загрязненная вода с максимальным размером частиц в 5 мм.
- **Погружной насос для грязной воды:**  
загрязненная вода с максимальным размером частиц в 25 мм.

Изделие не предназначено для продолжительной работы (режим длительной перекачки).



### ОПАСНО! Опасность получения травмы!

→ Не разрешается перекачивать соленую воду, едкие, легковоспламеняющиеся либо взрывоопасные вещества (например, бензин, керосин, нитрорастворитель), масла, жидкое топливо и продукты питания.

## 1. УКАЗАНИЯ ТЕХНИКИ БЕЗОПАСНОСТИ

### ВАЖНО!

Пожалуйста, внимательно прочитайте эту инструкцию по использованию и сохраните ее для чтения в дальнейшем.

### Символы на изделии:



Прочитайте инструкцию по эксплуатации.

### Общие указания по технике безопасности

#### Электрическая безопасность



**ОПАСНО! Поражение электротоком!**

Угроза травмирования из-за поражения электротоком.

→ Питание изделия должно производиться через устройство защитного отключения (УДТ) с номинальным током срабатывания не выше 30 мА.



**ОПАСНО! Угроза травмирования!**

Угроза травмирования из-за поражения электротоком.

→ Отсоединяйте изделие от сети, прежде чем выполнять работы по техническому обслуживанию или замене деталей. При этом розетка должна находиться в поле зрения.

#### Безопасность эксплуатации

Температура воды не должна превышать 35 °С.

Не разрешается пользоваться насосом, если кто-либо стоит в воде.

Загрязнение жидкости могло возникнуть из-за пролива смазочных материалов.

Не подпускайте посторонних к воде.  
Эксплуатируйте насос только с угловым штуцером.

### Защитный выключатель

#### Защитный термовыключатель:

В случае перегрузки насос выключается с помощью встроенной системы термозащиты мотора. После достаточного охлаждения мотора насос снова готов к работе.

### Автоматическое удаление воздуха

Данный насос оснащен воздуховыпускным клапаном для удаления воздушной прослойки, которая может образоваться в насосе. По функциональным причинам сбоку на корпусе может протекать небольшое количество воды.

### Дополнительные указания по технике безопасности

#### Электрическая безопасность



#### **ОПАСНО! Остановка сердца!**

Это изделие создает во время работы электромагнитное поле. В определенных обстоятельствах это поле может повлиять на функционирование активных или пассивных медицинских имплантатов. Во избежание опасности возникновения ситуаций, которые могут привести к тяжелым или смертельным травмам, лица, пользующиеся медицинскими имплантатами, перед использованием этого изделия должны проконсультироваться со своим врачом и изготовителем имплантата.

#### Кабель

При использовании удлинительных кабелей сечения проводов должны удовлетворять данным из следующей таблицы:

Напряжение	Длина кабеля	Поперечное сечение
230 – 240 В/50 Гц	До 20 м	1,5 мм <sup>2</sup>
230 – 240 В/50 Гц	20 – 50 м	2,5 мм <sup>2</sup>



#### **ОПАСНО! Поражение током!**

При обрезанном штекере через сетевой кабель в зону действия тока может проникнуть влага и вызвать короткое замыкание.

- Ни в коем случае не отрезать сетевой штекер (напр., для провода через стену).
- При отключении из розетки не тяните за кабель, а беритесь за корпус штекера.
- В случае повреждения сетевого шнура этого устройства необходимо, во избежание возможных угроз, заменить его у изготовителя, в его сервис-

ной службе, либо у специалиста соответствующей квалификации.

Штепсельные соединения электрокабелей должны иметь брызгозащищенное исполнение.

Штепсельные соединения электрокабелей располагайте в сухих, защищенных от затопления местах.

Предохраняйте вилку штепсельного соединения и кабель подключения к электросети от высокой температуры, нефтепродуктов и острых кромок.

Следите за напряжением электросети. Данные, обозначенные на информационной табличке насоса, должны соответствовать параметрам электросети.

При нахождении в плавательном бассейне или при контакте с водной поверхностью следует обязательно выключить насос из розетки.

Кабель подключения к электросети не может использоваться для подвешивания или транспортировки насоса.

Для погружения, подъема или закрепления насоса необходимо использовать крепежный трос.

Регулярно проверяйте состояние кабеля подключения.

Каждый раз перед использованием насоса производите его наружный осмотр, на предмет отсутствия повреждений (особенно у кабеля подключения к электросети и вилки штепсельного соединения).

Неисправный насос использоваться не должен. При обнаружении повреждений проверяйте насос только в сервисном центре GARDENA.

Инструкция по монтажу: Снова затяните все винты от руки.

Перед использованием после технического обслуживания убедитесь, что все детали привинчены.

При использовании наших насосов с генератором необходимо указания изготовителя генератора.

#### Личная безопасность



#### **ОПАСНО! Опасность задохнуться!**

Мелкие детали могут быть легко проглочены. Из-за полиэтиленового пакета для маленьких детей существует опасность задохнуться. Во время монтажа не подпускайте близко маленьких детей.

Соблюдайте минимальный уровень воды в соответствии с характеристиками насоса.

Не позволяйте насосу работать дольше 10 минут при запертой стороне нагнетания.

Песок и другие абразивные вещества ведут к ускоренному износу и снижению производительности насоса.

Манипуляции с поплавковым выключателем разрешается выполнять только вынув его из воды.

Запрещается стягивать шланг во время работы.

Дайте насосу остыть, прежде чем приступать к устранению неисправностей.

Не допускается эксплуатировать насос без установленного углового штуцера.

## 2. МОНТАЖ



**ОПАСНО! Опасность получения травмы!**  
Опасность получения травм при непреднамеренном запуске изделия.

→ Перед монтажом изделия отсоедините его от электропитания.

**Ввинчивание углового штуцера в насос [Рис. А1]:**



**ОПАСНО! Опасность получения травмы!**  
Резаные раны от крыльчатки.

→ Эксплуатируйте насос только с угловым штуцером.

→ Ввинтите угловой штуцер ① в насос, вращая его по часовой стрелке.

Шланг можно присоединять при помощи патрубка насоса ① и присоединительного nipples ② [25 мм (1")- и 38 мм (1 1/2")] или GARDENA соединительной системы [13 мм (1/2")/ 16 мм (5/8")/ 19 мм (3/4")]. При использовании шланга 38 мм (1 1/2") насос имеет максимальную производительность.

**Присоединение шланга к nipples**  
[Рис. А2/А3/А4]:

К nipples ② можно присоединять шланги 25 мм (1") и 38 мм (1 1/2").

Диаметр шланга	25 мм (1")	38 мм (1 1/2")
GARDENA Шланговый хомут	арт. 7193	арт. 7195
Шланговое соединение [Рис. А2]	Не отделять nipples [Рис. А3].	Отделить nipple по ⑥ [Рис. А4].

Шланги 25 мм (1") и 38 мм (1 1/2"), которые присоединяются через nipple ②, необходимо закрепить, например, при помощи хомута фирмы GARDENA, арт. 7193/7195.

1. Ввинтите угловой штуцер в насос, вращая его по часовой стрелке.
2. Навинтите присоединительный nipple ② на патрубок насоса ①. (При использовании шлангов 38 мм (1 1/2") сначала отрежьте соединительный nipple ② по канавке ⑥.)
3. Наденьте шланг на присоединительный nipple ② и закрепите его, например, с помощью GARDENA хомута арт. 7193/7195.

**Присоединение шлангов через систему вставок GARDENA [Рис. А5]:**

Не рекомендуется использовать шланги с диаметром менее 19 мм (3/4"), так как в противном случае произойдет значительное падение производительности насоса.

Диаметр шланга	Подключение к насосу	
19 mm (3/4")	Набор для подключения к насосу GARDENA	арт. 1752

→ Подключите шланг с помощью соответствующей GARDENA соединительной системы.

## 3. ЭКСПЛУАТАЦИЯ



**ОПАСНО! Опасность получения травмы!**  
Опасность получения травм при непреднамеренном запуске изделия.

→ Перед подключением, настройкой или транспортировкой изделия отсоедините его от электропитания.

**Водяные насосы:**

Если невозможно опустить насос в резервуар с водой, удерживая его за ручку, то погружение насоса в колодец или резервуар с водой следует производить с помощью троса. Минимальная глубина погружения при вводе в эксплуатацию см. 7. ТЕХНИЧЕСКИЕ ДАННЫЕ.

Насос необходимо устанавливать так, чтобы впускные отверстия на основании насоса не блокировались полностью или частично.

В прудах насос следует устанавливать, например, на кирпич.

1. Погрузите насос в резервуар с водой.
2. Соедините насос с электропитанием.  
*Внимание! Насос немедленно запускается.*

**Автоматический режим с поплавковым выключателем [Рис. О1]:**

Чтобы насос автоматически отключался при отсутствии подаваемой жидкости, на поверхности воды должен свободно перемещаться поплавковый выключатель ③.

**Установка уровней включения и отключения [Рис. О1]:**

Максимальная высота включения и минимальная высота отключения (см. 7. ТЕХНИЧЕСКИЕ ДАННЫЕ) могут адаптироваться введением кабеля поплавкового выключателя в фиксатор поплавкового выключателя.

- Чем короче кабель между поплавковым выключателем ③ и креплением поплавкового выключа-

теля ④, тем меньше будет высота включения и тем больше будет высота выключения.

- Вдавите кабель поплавкового выключателя ③ в отверстие крепления поплавкового выключателя ④.



#### ВНИМАНИЕ!

Для гарантированного включения и выключения поплавкового выключателя длина кабеля между поплавковым выключателем и фиксатором поплавкового выключателя должна составлять минимум 10 см.

#### Ручной режим [Рис. 02]:

**Насос работает непрерывно, так как поплавковый выключатель шунтируется.**

1. Сдвиньте поплавковый выключатель ③ с кабелем вниз на фиксатор поплавкового выключателя ④.
2. Устойчиво установите насос в воде.
3. Соедините насос с электропитанием.

*Внимание! Насос немедленно запускается.*

Мин. остаточный уровень воды (см. 7. ТЕХНИЧЕСКИЕ ДАННЫЕ) достигается только в ручном режиме работы, так как в автоматическом режиме поплавковый выключатель отключает насос заранее.

## 4. ТЕХНИЧЕСКОЕ ОБСЛУЖИВАНИЕ



#### ОПАСНО! Опасность получения травмы!

Опасность получения травм при непреднамеренном запуске изделия.

- Перед техническим обслуживанием изделия отсоедините его от электропитания.

#### Промывка насоса:

После перекачки хлорированной воды насос требует промывки.

1. Перекачивайте теплую воду (макс. 35 °C) возм. с добавкой мягкого чистящего средства (например, моющего средства), пока перекачиваемая вода не станет прозрачной.
2. Утилизируйте остатки в соответствии с требованиями закона о ликвидации отходов.

## 5. ХРАНЕНИЕ

#### Вывод из эксплуатации:

**Насос не защищен от мороза!**

**Изделие необходимо хранить в недоступном для детей месте.**

1. Отсоедините насос от электропитания.
2. Переворачивайте насос пока из него не вытечет вся вода.
3. Очистите насос (см. 4. ТЕХНИЧЕСКОЕ ОБСЛУЖИВАНИЕ).
4. Храните насос в сухом, закрытом и отапливаемом месте.

#### Утилизация изделия:

(согласно Директивы 2012/19/EC)



Не допускается выбрасывать изделие с обычным бытовым мусором. Его необходимо утилизировать в соответствии с действующими местными предписаниями по защите окружающей среды.

#### ВАЖНО!

- Утилизируйте изделие через местный пункт приемки вторсырья.

## 6. УСТРАНЕНИЕ НЕИСПРАВНОСТЕЙ



#### ОПАСНО! Опасность получения травмы!

Опасность получения травм при непреднамеренном запуске изделия.

- Отсоедините изделие от сети, прежде чем приступить к устранению неисправностей.

#### Очистка основания насоса и крыльчатки [Рис. T1]:

1. Вывинтите 4 винта с крестовым шлицем ④.
2. Снимите основание насоса ⑤ с насоса.

3. Очистите основание насоса ⑤ и крыльчатку ⑥ (эти виды обслуживания не приводят к потере гарантии).
4. Снова наденьте основание насоса ⑤.
5. Снова ввинтите 4 винта с крестовым шлицем ④.

**По соображениям безопасности поврежденную крыльчатку разрешается заменять только в GARDENA сервисном центре.**

Проблема	Возможная причина	Устранение
<b>Насос работает, но не перекачивает воду</b>	Нет свободного выхода воздуха, т. к. заперт нагнетательный трубопровод. (Распутайте возможно скрутившийся напорный шланг.)	→ Откройте напорную линию. (например, запорный вентиль, устройства для дозирования).
	Воздушная подушка во всасывающем основании.	→ Подождите ок. 60 секунд, пока насос самостоятельно не удалит воздух (при необходимости несколько раз включите и выключите его).
	Всасывающее отверстие забито.	→ Струей воды очистите всасывающее отверстие.
	Шланг забит.	→ Удалите засор из шланга.
	Крыльчатка заблокирована.	→ Очистите основание насоса и крыльчатку.
	Уровень воды при включении ниже минимального.	→ Погрузите насос глубже.
<b>Насос не работает или неожиданно выключается в процессе работы</b>	Защитный термовыключатель отключил насос из-за перегрева.	→ Очистите всасывающее отверстие. Учитывайте максимальную температуру среды (35 °C).
	Насос обесточен.	→ Проверьте предохранители и электрические штекерные соединения.
	Сработал выключатель дифференциального тока (дифференциальный ток).	→ Отсоедините насос от электропитания и обратитесь в GARDENA Сервисный центр.
<b>Насос работает, но производительность внезапно снижается</b>	Всасывающее отверстие забито.	→ Струей воды очистите всасывающее отверстие.
	Шланг забит.	→ Удалите засор из шланга.



**УКАЗАНИЕ:** в случае других неисправностей, пожалуйста, обращайтесь в свой GARDENA сервисный центр. Ремонт разрешается производить только в GARDENA сервисных центрах, а также у дилеров, авторизованных в GARDENA.

## 7. ТЕХНИЧЕСКИЕ ДАННЫЕ

<i>Погружной насос</i>	Ед.изм.	Значение (арт. 9000)	Значение (арт. 9001)	Значение (арт. 9007)	Значение (арт. 9008)
<b>Номинальная мощность</b>	Вт	250	400	250	400
<b>Напряжение</b>	В перем.	230	230	230	230
<b>Частота сети</b>	Гц	50	50	50	50
<b>Макс. производительность</b>	л/ч	8200	8600	9200	10.500
<b>Макс. давление / Макс. высота нагнетания</b>	бар / м	0,5 5,0	0,55 5,5	0,4 4,0	0,5 5,0
<b>Макс. глубина погружения</b>	м	6	6	6	6
<b>Мин./макс. высота включения</b>	см	23 / 50	23 / 50	26 / 45	26 / 45
<b>Мин./макс. высота выключения</b>	см	7 / 20	7 / 20	11 / 16	11 / 16
<b>Остаточный уровень воды</b>	мм	4	4	25	25

<i>Погружной насос</i>	<b>Ед.изм.</b>	<b>Значение (арт. 9000)</b>	<b>Значение (арт. 9001)</b>	<b>Значение (арт. 9007)</b>	<b>Значение (арт. 9008)</b>
<b>Загрязненная вода с максимальным размером частиц</b>	мм	5	5	25	25
<b>Минимальный уровень воды при включении (примерно)</b>	см	25	25	50	50
<b>Кабель подключения</b>	м	10 (H05RN-F)	10 (H05RN-F)	10 (H05RN-F)	10 (H05RN-F)
<b>Вес без кабеля (примерно)</b>	кг	2,55	2,85	2,55	2,9
<b>Макс. температура перекачиваемой жидкости</b>	°C	35	35	35	35

## 8. ПРИНАДЛЕЖНОСТИ/ЗАПАСНЫЕ ЧАСТИ

<b>Шланговый хомут GARDENA</b>	Для шлангов 25 мм (1") через ниппель для подключения.	<b>арт. 7193</b>
<b>Шланговый хомут GARDENA</b>	Для шлангов 38 мм (1 1/2") через ниппель для подключения.	<b>арт. 7195</b>
<b>Набор адаптеров к насосу GARDENA</b>	Для шлангов 19 мм (3/4") при использовании системы вставок GARDENA.	<b>арт. 1752</b>
<b>Набор с плоским шлангом GARDENA</b>	10 м 38 мм (1 1/2")-шланг с фиксатором для шланга.	<b>арт. 5005</b>

## 9. СЕРВИС

Актуальные контактные данные наших сервисных центров доступны по адресу:  
[www.gardena.com/contact](http://www.gardena.com/contact)

### **Инструкции производителя для Российской Федерации**

**Изготовитель:** GARDENA Germany AB,  
PO Box 7454, S-103 92 Stockholm, Sweden  
Страна изготовления указана на товаре.

### **Официальный импортер на территорию России:**

ООО «Хускварна»,  
141400, Московская область, г. Химки,  
ул. Ленинградская, владение 39,  
строение 6, помещение № OB02\_04



**Серийный номер:** 1908A

19*	08	A
Год выпуска	Месяц выпуска	1-й серии (индекс производства)

\* Последние две цифры года выпуска 2019 (третий и четвертый знак).

# GARDENA Pompa zanurzeniowa do czystej wody / Pompa zanurzeniowa do brudnej wody

pl

1. WSKAZÓWKI BEZPIECZEŃSTWA	15
2. MONTAŻ	17
3. OBSŁUGA	17
4. KONSERWACJA	18
5. PRZECHOWYWANIE	18
6. USUWANIE USTEREK	18
7. DANE TECHNICZNE	19
8. AKCESORIA/ CZĘŚCI ZAMIENNE	20
9. SERWIS	20

## Tłumaczenie instrukcji oryginalnej.



Dzieci od 8 r. ż. oraz osoby o ograniczonych zdolnościach fizycznych, sensorycznych lub psychicznych lub też nieposiadające doświadczenia i wiedzy mogą używać produktu pod warunkiem, że są przy tym nadzorowane lub zostały poinstruowane na temat bezpiecznego użytkowania produktu oraz rozumieją niebezpieczeństwa wynikające z jego użycia. Nie wolno dzieciom bawić się produktem. Nie wolno dzieciom dokonywać czyszczenia i konserwacji przez użytkownika urządzenia, jeżeli nie są one przy tym nadzorowane. Produkt nie powinien być użytkowany przez osoby w wieku poniżej 16. roku życia. Nie wolno używać produktu, jeśli użytkownik jest zmęczony,

chory, pod wpływem alkoholu, narkotyków lub lekarstw.

### Użytkowanie zgodnie z przeznaczeniem:

Pompa zanurzeniowa GARDENA służy do wypompowywania wody w przypadku powodzi, a także do przepompowywania i wypompowywania wody ze zbiorników, do poboru wody ze studni i studzienek, do wypompowywania wody z łodzi i jachtów, jak również do ograniczonego czasowo napowietrzania i cyrkulacji wody oraz do pompowania chlorowanej wody w ogrodach przydomowych i ogródkach działkowych.

### Tłoczone ciecz:

Przy pomocy pompy zanurzeniowej GARDENA można tłoczyć wyłącznie wodę.

Pompa ta jest całkowicie odporna na zalanie (jest hermetyczna) i może być zanurzana w wodzie (maks. głębokość zanurzenia patrz 7. DANE TECHNICZNE).

Produkt nadaje się do pompowania następujących cieczy:

- **Pompa zanurzeniowa do czystej wody:** czysta i lekko zabrudzona woda, maks. wielkość ziarna 5 mm.
- **Pompa zanurzeniowa do brudnej wody:** brudna woda, maks. wielkość ziarna 25 mm.

Produkt nie jest przeznaczony do długotrwałego użytkowania (długotrwała cyrkulacja).



### NIEBEZPIECZEŃSTWO!

Ryzyko obrażeń ciała!

→ Zabrania się używania pompy do tłoczenia wody słonej, substancji żrących, łatwopalnych lub wybuchowych (np. benzyny, ropy naftowej, rozpuszczalnika nitro), olejów, oleju opałowego czy artykułów spożywczych.

## 1. WSKAZÓWKI BEZPIECZEŃSTWA

### WAŻNE!

Należy starannie zapoznać się z instrukcją obsługi i zachować ją do późniejszego wykorzystania.

### Symbole umieszczone na produkcie:



Należy przeczytać instrukcję obsługi.

### Ogólne wskazówki bezpieczeństwa

#### Bezpieczeństwo elektryczne



### NIEBEZPIECZEŃSTWO!

Ryzyko porażenia prądem elektrycznym!  
Ryzyko obrażeń ze względu na prąd elektryczny.

→ Produkt musi być zasilany prądem za pośrednictwem wyłącznika różnicowoprądowego (RCD) o znamionowym prądzie wyzwalającym maksymalnie 30 mA.



### NIEBEZPIECZEŃSTWO! Ryzyko obrażeń!

Ryzyko obrażeń ze względu na prąd elektryczny.

→ Przed przystąpieniem do konserwacji lub wymiany elementów odłączyć produkt od sieci. Gniazdo musi znajdować się przy tym w zasięgu wzroku użytkownika.

### Bezpieczna obsługa

Temperatura wody nie może przekroczyć 35 °C.

Pompy nie wolno używać, jeśli w wodzie znajdują się ludzie.

Wyciek środków smarnych może spowodować zabrudzenie cieczy.

Osoby trzeźwe nie powinny mieć dostępu do wody.

Pompę należy eksploatować wyłącznie z łącznikiem kolankowym.

### Wyłącznik ochronny

#### Wyłącznik termiczny:

W przypadku przeciążenia pompa wyłącza się dzięki wbudowanemu termicznemu bezpiecznikowi silnika. Po wystarczającym wychłodzeniu silnika pompa jest ponownie gotowa do pracy.

### Automatyczne odpowietrzanie

Pompa jest wyposażona w zawór odpowietrzający, który usuwa ewentualne pęcherzyki powietrza znajdujące się w pompie. W związku z działaniem zaworu z boku obudowy może dojść do wycieku nieznacznej ilości wody.

### Dodatkowe wskazówki bezpieczeństwa

#### Bezpieczeństwo elektryczne



**NIEBEZPIECZEŃSTWO!**  
**Zatrzymanie akcji serca!**

**Podczas pracy produkt wytwarza pole elektromagnetyczne. W określonych warunkach pole to może oddziaływać na aktywne i pasywne implanty medyczne. Aby uniknąć ryzyka poważnych lub śmiertelnych obrażeń ciała, zalecamy osobom posiadającym implanty medyczne przed użyciem produktu skontaktować się z lekarzem lub producentem implantu.**

#### Kable

W przypadku używania kabli przedłużających kable te muszą odpowiadać przekrojom minimalnym, zamieszczonym w poniższych tabeli:

Napięcie	Długość kabla	Przekrój
230 – 240 V/50 Hz	Do 20 m	1,5 mm <sup>2</sup>
230 – 240 V/50 Hz	20 – 50 m	2,5 mm <sup>2</sup>



**NIEBEZPIECZEŃSTWO!**  
**Ryzyko porażenia prądem elektrycznym!**

**Obcięta wtyczka może spowodować dostanie się wilgoci poprzez kabel przyłączeniowy do części elektrycznej i spowodować zwarcie.**

- **Nigdy nie wolno obcinać wtyczki (np. w celu przeciągnięcia przewodu przez otwór w ścianie).**
- Nie wyciągać wtyczki ciągnąc za kabel lecz za obudowę wtyczki.
- W celu uniknięcia zagrożeń uszkodzony przewód przyłączeniowy urządzenia powinien zostać wymieniony przez producenta, punkt serwisowy lub inną wykwalifikowaną osobę.

Wtyczki i gniazdka muszą być bryzgoszczelne.

Wtyczka i połączenia elektryczne muszą znajdować się w miejscach zabezpieczonych przed wodą.

Wtyczkę i kabel przyłączeniowy należy chronić przed gorącem, olejem i ostrymi krawędziami.

Zwracać uwagę na napięcie w sieci. Wartości podane na tabliczce znamionowej muszą być zgodne z wartościami prądu płynącego w sieci.

Jeżeli w basenie przebywają ludzie lub dotykają oni powierzchni wody, wtyczkę sieciową pompy należy bezwzględnie wyciągnąć z gniazdka.

Kabel przyłączeniowy nie może być wykorzystywany do przymocowywania i transportowania pompy.

Do zanurzania bądź wyciągania i zabezpieczania pompy należy korzystać z liny mocującej.

Regularnie sprawdzać przewód podłączeniowy.

Przed użyciem należy skontrolować czy pompa (w szczególności kabel przyłączeniowy i wtyczka) nie jest uszkodzona.

Uszkodzona pompa nie może być używana. W razie uszkodzenia należy zlecić sprawdzenie pompy w serwisie firmy GARDENA.

Instrukcja montażu: dokręcić solidnie wszystkie śruby/wkręty.

Po wykonaniu prac konserwacyjnych należy przed użyciem pompy sprawdzić, czy wszystkie elementy są przykręcone.

Korzystając z naszych pomp w połączeniu z generatorem prądu należy stosować się do wskazówek ostrzegawczych producenta generatora.

### Bezpieczeństwo osobiste



**NIEBEZPIECZEŃSTWO! Ryzyko uduszenia!**

**Istnieje ryzyko połknięcia drobnych części. W przypadku małych dzieci istnieje ryzyko uduszenia plastikową torebką. Dzieci należy trzymać z dala od miejsca montażu produktu.**

Należy zachować minimalny stan wody zgodny z parametrami pompy.

Pompa nie może pracować dłużej niż 10 minut przy zamkniętej stronie tłocznej.

Piasek i inne ścierne substancje w tłocznej cieczy powodują przyspieszone zużycie i spadek wydajności.

Wyłącznik pływakowy można obsługiwać wyłącznie po wyjęciu pompy z wody.

Podczas pracy pompy nie można zdejmować węża.

Przed przystąpieniem do usuwania usterki pozostawić pompę do schłodzenia.

Pompy nie można eksploatować bez zamontowanego łącznika kolankowego.



## 2. MONTAŻ



### NIEBEZPIECZEŃSTWO!

Ryzyko obrażeń ciała!

Ryzyko obrażeń w przypadku uruchomienia produktu bez nadzoru.

→ Przed przystąpieniem do montażu odłączyć produkt od zasilania.

**Przykręcenie łącznika kolankowego do pompy [rys. A1]:**



### NIEBEZPIECZEŃSTWO!

Ryzyko obrażeń ciała!

Ryzyko skażenia wirnikiem.

→ **Pompę należy eksploatować wyłącznie z łącznikiem kolankowym.**

→ Przykręcić łącznik kolankowy do pompy ① zgodnie z ruchem wskazówek zegara.

Wąż podłączeniowy może być przyłączony za pomocą króćca przyłączeniowego ① i nypla przyłączeniowego ② [25 mm (1") i 38 mm (1 1/2")] lub za pomocą systemu szybkozłązek GARDENA [13 mm (1/2") / 16 mm (5/8") / 19 mm (3/4")]. Maks. wydajność pompy można osiągnąć, stosując wąż 38 mm (1 1/2").

**Podłączenie węża za pomocą nypla przyłączeniowego [rys. A2/A3/A4]:**

Poprzez nyplę przyłączeniową ② mogą być podłączane węże 25 mm (1") i 38 mm (1 1/2").

Przekrój węża	25 mm (1")	38 mm (1 1/2")
<b>GARDENA opaska zaciskowa</b>	<b>art. 7193</b>	<b>art. 7195</b>
<b>Przyłącza węża [rys. A2]</b>	Nie obcinać nypla [rys. A3].	Obcinać nyplę na wysokości ① [rys. A4].

Węże 25 mm (1") i 38 mm (1 1/2"), które mogą być podłączone poprzez nyplę przyłączeniową ② muszą być przymocowane np. za pomocą opaski zaciskowej GARDENA, art. 7193/7195.

1. Przykręcić łącznik kolankowy do pompy zgodnie z ruchem wskazówek zegara.
2. Nakręcić nyplę przyłączeniową ② na króciec przyłączeniowy ①. (W przypadku węża 38 mm (1 1/2") najpierw skrócić nyplę przyłączeniową ② na rowku, którym kończy się element ①).
3. Nasunąć wąż na nyplę przyłączeniową ② i przymocować go np. za pomocą opaski zaciskowej GARDENA, art. 7193/7195.

**Podłączenie węża za pomocą systemu szybkozłązek GARDENA [rys. A5]:**

Nie zalecamy stosowania węża o średnicy mniejszej niż 19 mm (3/4"), ponieważ powoduje to zmniejszenie przepływu.

Przekrój węża	Podłączenie pompy	
<b>19 mm (3/4")</b>	<b>GARDENA Zestaw przyłączeniowy węża do pompy</b>	<b>art. 1752</b>

→ Podłączyć wąż za pomocą odpowiedniego systemu szybkozłązek GARDENA.

## 3. OBSŁUGA



### NIEBEZPIECZEŃSTWO!

Ryzyko obrażeń ciała!

Ryzyko obrażeń w przypadku uruchomienia produktu bez nadzoru.

→ **Przed podłączeniem produktu oraz przystąpieniem do jego regulacji lub transportu należy odłączyć produkt od zasilania.**

**Pompowanie wody:**

Jeżeli pompy nie można zanurzyć w zbiorniku wody za pomocą uchwyty, należy ją zawsze zanurzać w studni lub zbiorniku wody przy pomocy liny. Min. głębokość zanurzenia w chwili uruchomienia patrz 7. DANE TECHNICZNE.

Pompę należy ustawić w taki sposób, aby zanieczyszczenia nie zatykały częściowo lub w całości otworów wlotowych na stopie ssawnej.

W stawie pompę należy ustawić np. na cegle.

1. Zanurzyć pompę w zbiorniku wody.

2. Podłączyć pompę do zasilania.  
*Uwaga! Pompa zaczyna pracować natychmiast.*

**Tryb automatyczny z wyłącznikiem pływakowym [rys. O1]:**

**Aby pompa w razie braku pompowanej cieczy automatycznie wyłączyła się, wyłącznik pływakowy ③ musi swobodnie poruszać się po powierzchni wody.**

**Ustawienie wysokości włączenia i wyłączenia [rys. O1]:**

Maksymalną wysokość włączenia i minimalną wysokość wyłączenia (patrz 7. DANE TECHNICZNE) można dostosować, umieszczając przewód wyłącznika pływakowego w blokadzie wyłącznika.

- Im krótszy kabel między wyłącznikiem pływakowym ③ a blokadą wyłącznika pływakowego ④, tym mniejsza jest wysokość włączenia i tym większa jest wysokość wyłączenia.

→ Wcisnąć kabel wyłącznika pływakowego ③ w otwór blokady wyłącznika pływakowego ④.

**UWAGA!**

Aby zapewnione było włączanie i wyłączenie wyłącznika pływakowego, długość przewodu pomiędzy wyłącznikiem pływakowym i blokadą wyłącznika powinna wynosić min. 10 cm.

**Obsługa manualna [rys. O2]:**

Pompa pracuje bez przerwy, ponieważ wyłącznik pływakowy jest zmostkowany.

1. Umieścić wyłącznik pływakowy ③ z kablem skierowanym do dołu w blokadzie wyłącznika pływakowego ④.
2. Ustawić pompę stabilnie w wodzie.
3. Podłączyć pompę do zasilania.

*Uwaga! Pompa zaczyna pracować natychmiast.*

Min. poziom pozostałej wody (patrz 7. DANE TECHNICZNE) można uzyskać wyłącznie przy obsłudze manualnej, ponieważ w trybie automatycznym wyłącznik pływakowy wcześniej wyłącza pompę.

## 4. KONSERWACJA

**NIEBEZPIECZEŃSTWO!**

Ryzyko obrażeń ciała!

Ryzyko obrażeń w przypadku uruchomienia produktu bez nadzoru.

→ Przed przystąpieniem do konserwacji odłączyć produkt od zasilania.

**Przeplukanie pompy:**

Po pompowaniu chlorowanej wody pompę należy przepłukać.

1. Pompować letnią wodę (maks. 35 °C), ewentualnie z dodatkiem łagodnego środka czyszczącego (np. płynu do mycia naczyń), do momentu, w którym pompowana woda będzie czysta.
2. Pozostałości należy usuwać zgodnie z przepisami ustawy usuwaniu odpadów.

## 5. PRZECHOWYWANIE

**Przerwa w używaniu:**

Pompa nie jest odporna na mróz!

Produkt przechowywać poza zasięgiem dzieci.

1. Odłączyć pompę od zasilania.
2. Obrócić pompę do góry nogami, aż do wypłynięcia całej wody.
3. Oczyszczyć pompę (patrz 4. KONSERWACJA).
4. Przechowywać pompę w suchym, zamkniętym i zabezpieczonym przed działaniem mrozu miejscu.

**Utylizacja produktu:**

(zgodnie z dyrektywą 2012/19/UE)



Produktu nie wolno utylizować razem z normalnymi odpadami komunalnymi. Produkt należy utylizować zgodnie z lokalnymi przepisami ochrony środowiska.

**WAŻNE!**

→ Produkt należy zutylizować za pośrednictwem lokalnego zakładu utylizacji odpadów.

## 6. USUWANIE USTEREK

**NIEBEZPIECZEŃSTWO!**

Ryzyko obrażeń ciała!

Ryzyko obrażeń w przypadku uruchomienia produktu bez nadzoru.

→ Przed przystąpieniem do usuwania usterek odłączyć produkt od zasilania.

**Czyszczenie stopy ssawnej i wirnika [rys. T1]:**

1. Wykręcić 4 wkręty krzyżakowe ④.
2. Wyciągnąć stopę ssawną ⑤ z pompy.
3. Oczyszczyć stopę ssawną ⑤ i wirnik ⑥ (takie prace konserwacyjne nie powodują utraty gwarancji).
4. Założyć ponownie stopę ssawną ⑤.
5. Wkręcić ponownie 4 wkręty krzyżakowe ④.

**Ze względów bezpieczeństwa uszkodzony wirnik może być wymieniany wyłącznie przez pracowników serwisu GARDENA.**

Problem	Możliwa przyczyna	Postępowanie
Pompa pracuje, ale nie tłoczy wody	Powietrze nie ma ujścia, gdyż przewód tłoczny jest zamknięty. (Ewentualnie sprawdzić czy wąż nie jest zagięty).	→ Otworzyć przewód tłoczny (np. zawór odcinający, urządzenia dozujące).

Problem	Możliwa przyczyna	Postępowanie
<b>Pompa pracuje, ale nie tłoczy wody</b>	Pęcherzyki powietrza w stopce ssącej.	→ Odczekać ok. 60 sekund, aż pompa samoczynnie się odpowietrzy, w razie potrzeby kilkakrotnie wyłączyć / włączyć pompę.
	Otwór ssawny jest zatkany.	→ Oczyszczyć otwór ssawny strumieniem wody.
	Wąż jest zatkany.	→ Udrożnić wąż.
	Wirmik jest zablokowany.	→ Oczyszczyć stopę ssawną i wirnik.
	Lustro wody podczas uruchamiania znajduje się poniżej minimalnego poziomu.	→ Zanurzyć głębiej pompę.
<b>Pompa nie daje się uruchomić lub nagle przestaje pracować</b>	W wyniku przeciążenia zadziałał wyłącznik termiczny pompy.	→ Oczyszczyć otwór ssawny. Wyczyścić filtr. Nie przekraczać maksymalnej temperatury wody (35 °C).
	Pompa nie jest zasilana.	→ Sprawdzić bezpieczniki i złącza elektryczne.
	Zadziałał wyłącznik różnicowoprądowy (prąd uszkodzeniowy).	→ Odłączyć pompę od zasilania i skontaktować się z serwisem GARDENA.
<b>Pompa pracuje, ale nagle spada jej wydajność</b>	Otwór ssawny jest zatkany.	→ Oczyszczyć otwór ssawny strumieniem wody.
	Wąż jest zatkany.	→ Udrożnić wąż.



**WSKAZÓWKA:** w przypadku wystąpienia innych zakłóceń prosimy o kontakt z serwisem GARDENA. Naprawy mogą być wykonywane tylko przez punkty serwisowe GARDENA lub przez autoryzowanych przedstawicieli GARDENA.

## 7. DANE TECHNICZNE

<i>Pompa zanurzeniowa</i>	Jednostka	Wartość (art. 9000)	Wartość (art. 9001)	Wartość (art. 9007)	Wartość (art. 9008)
<b>Moc znamionowa</b>	W	250	400	250	400
<b>Napięcie sieciowe</b>	V (AC)	230	230	230	230
<b>Częstotliwość sieciowa</b>	Hz	50	50	50	50
<b>Maks. wydajność</b>	l/h	8200	8600	9200	10.500
<b>Maks. ciśnienie/ maks. wysokość tłoczenia</b>	bar / m	0,5 5,0	0,55 5,5	0,4 4,0	0,5 5,0
<b>Maks. głębokość zanurzenia</b>	m	6	6	6	6
<b>Min./maks. wysokość włączenia</b>	cm	23 / 50	23 / 50	26 / 45	26 / 45
<b>Min./maks. wysokość wyłączenia</b>	cm	7 / 20	7 / 20	11 / 16	11 / 16
<b>Poziom pozostałej wody</b>	mm	4	4	25	25
<b>Bрудna woda, maks. wielkość ziarna</b>	mm	5	5	25	25
<b>Minimalny poziom wody podczas uruchamiania pompy (ok.)</b>	cm	25	25	50	50
<b>Kabel przyłączeniowy</b>	m	10 (H05RN-F)	10 (H05RN-F)	10 (H05RN-F)	10 (H05RN-F)
<b>Waga bez kabla (ok.)</b>	kg	2,55	2,85	2,55	2,9
<b>Max temperatura pompowanej cieczy</b>	°C	35	35	35	35

## 8. AKCESORIA/CZĘŚCI ZAMIENNE

---

<b>GARDENA Opaska zaciskowa</b>	Do podłączenia węży 25 mm (1") poprzez nypel przyłączeniowy.	<b>art. 7193</b>
<b>GARDENA Opaska zaciskowa</b>	Do podłączenia węży 38 mm (1 1/2") poprzez nypel przyłączeniowy.	<b>art. 7195</b>
<b>GARDENA Zestaw przyłączeniowy węża</b>	Do podłączenia węży 19 mm (3/4") za pomocą systemu szybkozłączek GARDENA.	<b>art. 1752</b>
<b>GARDENA Zestaw z płaskim wężem</b>	Wąż 10 m 38 mm (1 1/2") z opaską zaciskową.	<b>art. 5005</b>

## 9. SERWIS

---

Aktualne dane kontaktowe naszego działu serwisowego można znaleźć na stronie:

[www.gardena.com/contact](http://www.gardena.com/contact)

# GARDENA Búvárszivattyú tiszta vízhez / Búvárszivattyú szennyezett vízhez

1. BIZTONSÁGI ÚTMUTATÁSOK	21
2. SZERELÉS	23
3. KEZELÉS	23
4. KARBANTARTÁS	24
5. TÁROLÁS	24
6. HIBAELEHÁRÍTÁS	24
7. MŰSZAKI ADATOK	25
8. TARTOZÉKOK/PÓTALKATRÉSZEK	26
9. SZERVIZ	26

## Az eredeti útmutató fordítása.



8 éves kor feletti gyermekek, valamint csökkent fizikai, érzékszervi vagy mentális képességekkel élő, vagy hiányos tapasztalatokkal és tudással rendelkező személyek a terméket csak másik személy felügyelete mellett, vagy olyan esetben használhatják, ha megfelelő eligazítást kapnak a termék biztonságos működtetéséről, és megértik az abból eredő veszélyeket. Gyermekeknek tilos játszani a termékkel. Gyermekek felügyelete nélkül nem végezhetnek tisztítást vagy felhasználó általi karbantartást. A termék használatát csak 16 éven felüli fiatalok számára ajánljuk. Soha ne használja a terméket, ha fáradt, beteg vagy alkohol, kábítószer, ill. gyógyszer hatása alatt áll.

## 1. BIZTONSÁGI ÚTMUTATÁSOK

### FONTOS!

Olvassa el figyelmesen a használati utasítást, és őrizze meg gondosan, hogy később is felhasználhassa.

### Szimbólumok a terméken:



Olvassa el a használati utasítást.

### Rendeltetésszerű használat:

A GARDENA Búvárszivattyú segítségével el lehet távolítani a vizet vízzel elárasztott helyiségekből, de tartályokból is át lehet/ki lehet szivattyúzni a vizet, kutakból és aknákból lehet vizet vételezni, el lehet távolítani a vizet csónakokból és jachtokból, valamint korlátozott ideig ki lehet levegőztetni és vissza lehet forgatni a vizet, továbbá klórtartalmú vizet lehet szivattyúzni magánházakban és hétfélig telkeken.

### Szállítható folyadékok:

A GARDENA búvárszivattyújával csak vizet szabad szállítani.

A szivattyúk teljesen bemezethetők (vízhatlan tok védi őket) és a vízbe süllyeszthetők (a max. merülési mélységet lásd a 7. MŰSZAKI ADATOK című szakaszban).

A termék az alábbi folyadékok szivattyúzására használható:

- **Búvárszivattyú tiszta vízhez:** tiszta, vagy legfeljebb 5 mm-es átmérőjű szemcséket tartalmazó szennyezett víz.
- **Búvárszivattyú szennyezett vízhez:** szennyezett, legfeljebb 25 mm-es átmérőjű szemcséket tartalmazó víz.

A termék hosszú ideig tartó működtetésre nem alkalmas (folyamatos keringtető üzem).



### VESZÉLY! Személyi sérülés veszélye!

→ Tilos vele sósvizet, maró, könnyen éghető vagy robbanásveszélyes anyagokat (pl. benzint, petróleumot, nitro-hígítót), olajokat, fűtőolajat és élelmiszert szivattyúzni.

### Általános biztonsági útmutatások

#### Elektromos biztonság



#### VESZÉLY! Áramütés!

Az esetleges áramütés sérülés veszélyével fenyeget.

→ A terméket fel kell szerelni egy hibaáram-védőkapcsolóval (RCD), amelynél a névleges kioldóáram erőssége legfeljebb 30 mA.



#### VESZÉLY! Sérülésveszély!

Az esetleges áramütés sérülés veszélyével fenyeget.

→ Karbantartás vagy alkatrészcsere előtt válassza le a terméket a hálózatról. E műveletek végzése alatt a hálózati aljzatnak a látóterében kell maradnia.

## Biztonságos üzemelés

A víz nem lehet melegebb 35 °C-nál.

A szivattyút mindaddig nem használható, amíg vannak a vízben.

A kilépő kenőanyagok adott esetben elszennyezhetik a folyadékot.

Harmadik személyt tartson távol a víztől.

Csak a könyvdkarabbal működtesse a szivattyút.

## Védőkapcsoló

### Hővédő kapcsoló:

Túlterhelés esetén a motor beépített hővédelme kikapcsolja a szivattyút. Miután a motor kellő mértékben lehűlt, a szivattyú újból készen áll az üzemelésre.

## Automatikus légtelenítés

A szivattyú fel van szerelve egy légtelenítő szeleppel, amely megszünteti a szivattyúban esetlegesen jelen lévő légszákákat. A működéstől függően előfordulhat, hogy oldalt egy kevéske víz lép ki a házból.

## További biztonsági útmutatások

### Elektromos biztonság



#### **VESZÉLY! Szívleállás!**

**Ez a termék az üzemelés során elektromágneses mezőt hoz létre. Ez a mező bizonyos körülmények között hatással lehet az aktív és passzív orvosi implantátumok működési módjára. A súlyos vagy halálos kimenetelű sérülések elkerülése érdekében azt javasoljuk, hogy az orvosi implantátummal rendelkező személyek a termék használata előtt beszéljenek erről az orvosukkal, vagy az implantátum gyártójával.**

### Kábelek

Hosszabbító kábelek használata esetén azoknak meg kell felelniük a következő táblázatban feltüntetett minimális keresztmetszet értékeknek:

Feszültség	Kábelhossz	Keresztmetszet
230 – 240 V/50 Hz	20 m-ig	1,5 mm <sup>2</sup>
230 – 240 V/50 Hz	20 – 50 m	2,5 mm <sup>2</sup>



#### **VESZÉLY! Áramütés!**

**Egy levágott csatlakozó dugó miatt a hálózati kábelben keresztül nedvesség juthat az elektromos részekhez, ami rövidzárlatot okozhat.**

→ **Semmilyen esetben ne vágja le a csatlakozó dugót (pl. falba történő behúzásnál).**

→ A hálózati dugót ne a kábelnél, hanem a dugó testénél fogva húzza ki a konnektorból.

→ Ha megrongálódott a készülék hálózati csatlakozóvezetéke, azt a gyártóval vagy a Vevőszolgálatával, ill. szakemberrel kell kicseréltetni, nehogy veszélyhelyzet álljon elő.

A hálózati csatlakozó és hosszabbító förcszenő víz ellen védett kell legyen.

Győződjön meg arról, hogy az elektromos csatlakozások áradásmentes területen helyezkednek el.

A dugaszt és a csatlakozó vezetéket óvja a hőtől, olajoktól és éles szegélyektől.

Ügyeljen a hálózati feszültségre! A gép adatlapjának adatai a hálózati áram adataival meg kell egyezzenek.

Mielőtt belelépne az úszómedencébe, vagy hozzáérne a vízfelülethez, okvetlenül húzza ki a szivattyú hálózati csatlakozóját.

A hálózati csatlakozó vezetéket nem szabad a szivattyú szállítására vagy rögzítésére használni!

A vízbe merítés, ill. a kihúzás és biztosítás céljából rögzítő-kötelet kell ráerősíteni a szivattyúra.

Rendszeresen ellenőrizze a csatlakozó vezetéket.

Használat előtt a szivattyút (különösen a hálózati vezetéket és dugaszt) vesse biztonsági ellenőrzés alá.

Sérült szivattyút nem szabad üzemeltetni. Sérülés esetén a szivattyút feltétlenül ellenőriztesse GARDENA szakszer-vizzel!

Szerelési útmutató: valamennyi csavart kézzel szorítson meg.

Karbantartás után csak akkor kezdje használni, ha meggyőződött róla, hogy az összes része helyére van csavarozva.

Ha a szivattyúinkat generátorral üzemelteti, meg kell fogadnia a generátor gyártója által adott óva intéseket.

## Személyi biztonság



#### **VESZÉLY! Fulladásveszély!**

**Az apróbb alkatrészek könnyen lenyelhetők. A nejlonzacskó miatt kisgyermeknekél fulladás veszélye fenyeget. Szereléskor tartsa távol a kisgyermeket.**

Ügyeljen a szivattyú műszaki adatai közt található minimális vízszint betartására.

A szivattyút zárt szívóoldallal ne üzemeltesse 10 percnél tovább.

Homok és más súroló hatású anyagok a szivattyú gyorsabb elhasználódásához és teljesítményének csökkenéséhez vezetnek.

Az úszókapcsolót csak vízből kiemelt helyzetben szabad kezelni.

Üzemelés alatt nem szabad lehúzni róla a tömlőt.

Csak akkor fogjon hozzá a hibakereséshez, ha a szivattyú már lehűt.

A helyére szerelt könyvdkarab nélkül nem működtethető a szivattyú.

## 2. SZERELÉS



**VESZÉLY! Személyi sérülés veszélye!**  
Sérülésveszély áll fenn, ha a termék véletlenül beindul.

→ Mielőtt szerelni kezdené a terméket, válassza le az áramellátásról.

### Könyökdarab becsavározása a szivattyúba [ábra A1]:



**VESZÉLY! Személyi sérülés veszélye!**  
A járókerék vágási sérülésekkel fenyeget.

→ Csak a könyökdarabbal működtesse a szivattyút.

→ Az óramutató járásának irányában csavarja be az ① könyökdarabot a szivattyúba.

A tömlő az ① szivattyúcsatlakozó és a ② [25 mm (1")- és 38 mm (1 1/2")]-es csőkapcsoló, vagy a GARDENA [13 mm (1/2")/ 16 mm (5/8")/ 19 mm (3/4")]-es dugaszoló rendszer segítségével csatlakoztatható. A szivattyú szállítóteljesítménye 38 mm-es (1 1/2"-os) tömlő használatakor a legnagyobb.

### Tömlőcsatlakoztatás a csatlakozócsonk segítségével [ábra A2/ A3/ A4]:

A csatlakozócsonkkal ② 25 mm (1") és 38 mm (1 1/2") tömlők csatlakoztathatók.

Tömlőátmérő	25 mm (1")	38 mm (1 1/2")
<b>GARDENA Tömlőbilinc</b>	<b>cikksz. 7193</b>	<b>cikksz. 7195</b>
<b>Tömlőcsatlakozás [ábra A2]</b>	Ne fűrészelje le a csonkot [ábra A3].	Fűrészelje le a csonkot az ① pontban [ábra A4].

A 25 mm (1")- és 38 mm (1 1/2")-tömlőket, melyeket a ② csatlakozócsonkra erősített, rögzítenie kell pl. egy **GARDENA tömlőbilinccsel (cikksz. 7193/7195.)**

1. Az óramutató járásának irányában csavarja be az könyökdarabot a szivattyúba.
2. Csavarozza rá a ② csőkapcsolót a szivattyú ① csatlakozójára. (38 mm-es (1 1/2"-os) tömlők használatára esetén előtte válassza le a horonyban lévő ② csőkapcsolót a ③ helyen).
3. Csúsztassa rá a tömlőt a ② csőkapcsolóra, és rögzítse pl. **7193/7195 term. sz-ú GARDENA tömlőbilinccsel.**

### Tömlő csatlakoztatása GARDENA csatlakozórendszerrel [ábra A5]:

19 mm-nél (3/4"-nál) kisebb átmérőjű tömlőket nem ajánlatos használni, máskülönben csökken a szállított mennyiség képében jelentkező teljesítmény.

Tömlőátmérő	Szivattyú csatlakoztatása
<b>19 mm (3/4")</b>	<b>GARDENA Szivattyúcsatlakozó-cikksz. 1752 készlet</b>

→ Csatlakoztassa a tömlőt a megfelelő GARDENA dugaszoló rendszerrel.

## 3. KEZELÉS



**VESZÉLY! Személyi sérülés veszélye!**  
Sérülésveszély áll fenn, ha a termék véletlenül beindul.

→ Csatlakoztatás, beállítás vagy szállítás előtt válassza le a terméket az áramellátásról.

### Víz szivattyúzása:

Ha a szivattyút nem lehet a víztározóba meríteni a fogantyúval, akkor a szivattyút mindig kábellel kell belemeríteni a kútba vagy a víztározóba. A beüzemeléskor alkalmazandó minimális merülési mélységet lásd a 7. MŰSZAKI ADATOK című szakaszban.

A szivattyút úgy kell felállítani, hogy a szennyezések ne zárhassák el teljesen vagy részben a szívótalpon lévő beömlő nyílásokat.

Tóban pl. célszerű téglára állítani a szivattyút.

1. Merítse bele a szivattyút a víztározóba.
2. Kösse össze a szivattyút az áramellátással.  
*Figyelem! A szivattyú azonnal beindul.*

### Automatikus üzem úszókapcsolóval [ábra O1]:

**Ahhoz, hogy a folyadékszállítás kimaradása esetén a szivattyú automatikusan kikapcsoljon, az úszókapcsolónak ① szabadon kell mozognia a víz felületén.**

### A be- és kikapcsolási szint beállítása [ábra O1]:

A 7. MŰSZAKI ADATOK maximális bekapcsolási magasságot és a minimális kikapcsolási magasságot az adott helyzethez igazíthatjuk oly módon, hogy az úszókapcsoló kábelét benyomjuk az úszókapcsoló reteszelő elemébe.

- Minél rövidebb az ③ úszókapcsoló és az úszókapcsoló ④ rögzítőeleme között futó kábel, annál kisebb lesz a bekapcsolási-, és annál nagyobb lesz a kikapcsolási magasság.

→ Nyomja be a ③ úszókapcsoló kábelét az úszókapcsoló ④ rögzítőelemének nyílásába.



### FIGYELEM!

**Az úszókapcsoló csak akkor tud be és kikapcsolni, ha az úszókapcsoló és az úszókapcsoló rögzítő eleme közti kábel legalább 10 cm hosszú.**

### Kézi üzemeltetés [ábra O2]:

A szivattyú állandóan üzemben van, mivel az úszókapcsoló áthidalt állapotba kerül.

1. Lefelé néző kábellel nyomja rá a ③ úszókapcsolót az úszókapcsoló (A) rögzítő elemére.
2. Állítsa fel a szivattyút a vízben úgy, hogy biztonságosan álljon.

3. Kösse össze a szivattyút az áramellátással.  
*Figyelem! A szivattyú azonnal beindul.*

A benne maradt víz min. magasságát (lásd a 7. MŰSZAKI ADATOK) című szakaszt) csak kézi üzemben lehet elérni, mivel az automatikus üzemben az úszókapcsoló már idő előtt lekapcsolja a szivattyút.

hu

## 4. KARBANTARTÁS



**VESZÉLY! Személyi sérülés veszélye!**

Sérülésveszély áll fenn, ha a termék véletlenül beindul.

→ Mielőtt karbantartásba fogna a terméken, válassza le az áramellátásról.

### Szivattyú átöblítése:

Klórmentes víz szivattyúzása után át kell öblíteni a szivattyút.

1. Nyomjon át a szivattyún langymeleg (max. 35 °C-os) vizet, esetleg enyhe tisztítószert (pl. öblítőszer) hozzáadásával mindaddig, ameddig a szivattyúzott víz tiszta nem lesz.
2. Ártalmatlanítsa a maradványokat a hulladékkezelési törvény irányelvei szerint.

## 5. TÁROLÁS

### Üzemen kívül helyezés:

A szivattyú nem fagyálló!

A terméket gyermekektől elzárt helyen kell őrizni.

1. Válassza le a szivattyút az áramforrásról.
2. Fordítsa feje tetejére a szivattyút mindaddig, amíg több víz már nem folyik ki belőle.
3. Tisztítsa meg a szivattyút (lásd a 4. KARBANTARTÁS című szakaszt).
4. Őrizze a szivattyút száraz, zárt és fagymentes helyen.

### A termék ártalmatlanítása:

(2012/19/EU jelű IE szerint)



Nem szabad a terméket a normál háztartási hulladékkal együtt kidobni. A hatályos helyi környezetvédelmi előírásoknak megfelelően kell ártalmatlanítani.

### FONTOS!

→ Adja le a terméket a helyi újrahasznosító gyűjtőhelyen, vagy bizza rájuk az ártalmatlanítását.

## 6. HIBAEELHÁRÍTÁS



**VESZÉLY! Személyi sérülés veszélye!**

Sérülésveszély áll fenn, ha a termék véletlenül beindul.

→ Válassza le a terméket a hálózatról, mielőtt nekifogna a termék hibájának elhárításához.

### Szivótalp és járókerék megtisztítása [ábra T1]:

1. Csavarja ki a 4 darab ④ keresztornyú csavart.

2. Húzza le az ⑤ szivótalpat a szivattyúról.
3. Tisztítsa meg az ⑤ szivótalpat és a ⑥ járókereket (e karbantartási munkák elvégzése nem teszi semmissé a garanciát).
4. Rakja vissza az ⑤ szivótalpat.
5. Csavarja vissza a 4 darab ④ keresztornyú csavart.

**Biztonsági okokból a megrongálódott járókereket csak a GARDENA szerviz cserélheti ki.**

Probléma	Lehetséges oka	Megoldása
Szivattyú jár, de nem szállít vizet	A levegő nem tud távozni, mert a nyomóvezeték zárva van. (Esetleg a vezeték megtört).	→ Nyissa ki a nyomóvezeték (pl. záróselemp, kihordó készülékek).
	Légpárna a szivótalpban.	→ Várjon kb. 60 másodpercet, amíg a szivattyú el nem végzi az ön-légtelemitést (esetleg kapcsolja ki/be).



Probléma	Lehetséges oka	Megoldása
<b>Szivattyú jár, de nem szállít vizet</b>	Szívónyílás eldugult.	→ Vizsgárral tisztítsa meg a szívónyílást.
	Tömlő eldugult.	→ Távolítsa el a dugulást a tömlőből.
	Járókerék forgása akadályozva van.	→ Tisztítsa meg a szivótalpat és a járókereket.
	Vízszint az üzembe helyezéskor a minimális szint alatt van.	→ A szivattyút merítse mélyebbre.
<b>A szivattyú nem indul el vagy üzemelés közben hirtelen megáll</b>	A hővédő kapcsoló túlemelegedés miatt lekapcsolta a szivattyút.	→ Tisztítsa meg a szívónyílást. Ügyeljen arra, hogy a közeg hőmérséklete ne legyen nagyobb (35 °C-nál).
	Szivattyú nem kap áramot.	→ Vizsgálja meg a biztosítékokat és az elektromos dugaszoló csatlakozásokat.
	A HÁV kapcsoló kioldott (hibaáram).	→ Válassza le a szivattyút az áramellátásról, és forduljon a GARDENA szervizhez.
<b>A szivattyú üzemel, de a szállítási teljesítmény hirtelen visszaesik</b>	Szívónyílás eldugult.	→ Vizsgárral tisztítsa meg a szívónyílást.
	Tömlő eldugult.	→ Távolítsa el a dugulást a tömlőből.



**ÚTMUTATÁS:** Egyéb üzemzavarok esetén forduljon a GARDENA területileg illetékes szervizközpontjához. Javításokat csak a GARDENA szervizközpontokkal, valamint a GARDENA szerződött szakkereskedőivel szabad végezteni.

## 7. MŰSZAKI ADATOK

Búvárszivattyú	Egység	Érték (cikksz. 9000)	Érték (cikksz. 9001)	Érték (cikksz. 9007)	Érték (cikksz. 9008)
<b>Névleges teljesítmény</b>	W	250	400	250	400
<b>Hálózati feszültség</b>	V (AC)	230	230	230	230
<b>Hálózati frekvencia</b>	Hz	50	50	50	50
<b>Max. szállítási mennyiség</b>	l/h	8200	8600	9200	10.500
<b>Max. nyomás/ Max. szállítási magasság</b>	bar / m	0,5 5,0	0,55 5,5	0,4 4,0	0,5 5,0
<b>Max. merülési mélység</b>	m	6	6	6	6
<b>Min./max. bekapcsolási magasság</b>	cm	23 / 50	23 / 50	26 / 45	26 / 45
<b>Min./max. kikapcsolási magasság</b>	cm	7 / 20	7 / 20	11 / 16	11 / 16
<b>Maradék víz magasság</b>	mm	4	4	25	25
<b>Víz max. átmérőjű szemcséket tartalmaz</b>	mm	5	5	25	25
<b>Minimális vízszint üzembe helyezéskor (kb.)</b>	cm	25	25	50	50
<b>Csatlakozókábel</b>	m	10 (H05RN-F)	10 (H05RN-F)	10 (H05RN-F)	10 (H05RN-F)
<b>Súly kábel nélkül (kb.)</b>	kg	2,55	2,85	2,55	2,9
<b>Max. vízhőmérséklet</b>	°C	35	35	35	35

## 8. TARTOZÉKOK/PÓTALKATRÉSZEK

---

<b>GARDENA Csatlakozóbilincs</b>	25 mm (1") tömlőkhöz, csatlakozócsonkra történő csatlakoztatásához.	<b>cikksz. 7193</b>
<b>GARDENA Csatlakozóbilincs</b>	38 mm (1 1/2") tömlőkhöz, csatlakozócsonkra történő csatlakoztatásához.	<b>cikksz. 7195</b>
<b>GARDENA Szivattyúcsatlakozó készlet</b>	19 mm (3/4") tömlőkhöz, GARDENA csatlakozórendszerrel történő csatlakoztatásához.	<b>cikksz. 1752</b>
<b>GARDENA Lapos tömlő készlet</b>	10 m-es, 38 mm-es (1 1/2"-os) tömlő szorítóbilinccsel.	<b>cikksz. 5005</b>

hu

## 9. SZERVIZ

---

Szervizünk aktuális elérhetőségei az alábbi weboldalon találhatóak:

[www.gardena.com/contact](http://www.gardena.com/contact)

# GARDENA Ponorné čerpadlo na čistou vodu / Ponorné čerpadlo na špinavou vodu

1. BEZPEČNOSTNÍ POKYNY	27
2. MONTÁŽ	28
3. OBSLUHA	29
4. ÚDRŽBA	29
5. SKLADOVÁNÍ	30
6. ODSTRAŇOVÁNÍ CHYB	30
7. TECHNICKÁ DATA	31
8. PŘÍSLUŠENSTVÍ/NÁHRADNÍ DÍLY	31
9. SERVIS	31

## Překlad originálních pokynů.



Tento produkt mohou používat děti od věku 8 let a osoby se sníženými fyzickými, smyslovými nebo mentálními schopnostmi nebo nedostatkem zkušeností a znalostí, pokud jsou pod dohledem nebo byly ohledně bezpečného používání přístroje zaškoleny a rozumí tomu, jaké nebezpečí z toho vyplývá. Děti si s produktem nesmějí hrát. Čištění a uživatelskou údržbu nesmí provádět děti bez dohledu. Doporučujeme, aby produkt používali mladiství až od 16 let. Produkt nikdy nepoužívejte, pokud jste unavení nebo nemocní nebo pod vlivem drog, alkoholu nebo léků.

## Využití odpovídající určenému účelu:

**Ponorné čerpadlo GARDENA** je určeno na odčerpávání při zaplavení, ale také na přečerpávání a vyčerpávání nádrží, na odběr vody ze studní a šachet, na odvodňování člnů a jachet a na časově omezené provzdušňování a cirkulaci vody a na čerpání vody s obsahem chloru na soukromých domácích a hobby zahradách.

## Čerpané kapaliny:

Pomocí ponorného čerpadla GARDENA se smí čerpat jen voda.

Čerpadlu nevádí zaplavení vodou (vodotěsné) a je určené k ponoření do vody (max. hloubka ponoření viz 7. TECHNICKÁ DATA).

Produkt je vhodný k čerpání následujících kapalin:

- **Ponorné čerpadlo na čistou vodu:** čistá nebo lehce znečištěná voda s průměrem nečistot max. 5 mm.
- **Ponorné čerpadlo na špinavou vodu:** znečištěná voda s průměrem max. 25 mm.

Produkt není vhodný pro dlouhodobý provoz (trvalý cirkulační provoz).



## NEBEZPEČÍ! Poranění!

→ Nesmí se přečerpávat slaná voda, leptavé, snadno zápalné nebo explozivní látky (např. benzín, petrolej, nitro ředidlo), oleje, topný olej a potraviny.

## 1. BEZPEČNOSTNÍ POKYNY

### DŮLEŽITÉ!

Přečtěte pečlivě tento návod na použití a uchovejte ho pro opětovné přečtení.

### Symbyly na produktu:



Přečtěte si návod na provoz.

### Obecné bezpečnostní pokyny

#### Elektrická bezpečnost



**NEBEZPEČÍ! Úraz elektrickým proudem!**

**Nebezpečí poranění elektrickým proudem.**

→ Produkt musí být elektricky napájen přes FI-spínač (RCD) se jmenovitým vypínacím proudem maximálně 30 mA.



### NEBEZPEČÍ! Nebezpečí poranění!

**Nebezpečí poranění elektrickým proudem.**

→ Než začnete s údržbou nebo než budete vyměňovat díly, odpojte produkt od sítě. Přitom musí být pro Vás zásuvka viditelná.

### Bezpečný provoz

Teplota vody nesmí překročit 35 °C.

Čerpadlo nesmí být použito, pokud se ve vodě nacházejí osoby.

Může dojít ke znečištění kapaliny v důsledku výstupu mazacích látek.

Jiné osoby udržujte dále od vody.

Čerpadlo provozujte jen s kolenem.

### Ochranný spínač

**Teplotní ochranný spínač:** Při přetížení je čerpadlo vypnuto vestavěnou tepelnou ochranou motoru.

Po dostatečném ochlazení motoru je čerpadlo opět připraveno k provozu.

#### Automatické odvodušení

Toto čerpadlo je vybaveno odvodušňovacím ventilem, který odstraní eventuální vzduchový polštář v čerpadle. V závislosti na funkci tak může na boku tělesa vytéct trochu vody.

#### Dodatečné bezpečnostní pokyny

##### Elektrická bezpečnost



#### NEBEZPEČÍ! Zástava srdce!

**Tento produkt vytváří za provozu elektromagnetické pole. Toto pole může za určitých podmínek působit na funkci aktivních nebo pasivních lékařských implantátů. Aby se vyloučily nebezpečné situace, které by mohly vést k těžkým nebo smrtelným poraněním, měly by osoby s lékařským implantátem před použitím produktu konzultovat svého lékaře a výrobce implantátů.**

##### Kabely

Při použití prodlužovacího kabelu musí jeho minimální průřez odpovídat následující tabulce:

Napětí	Délka kabelu	Průřez
230 – 240 V/50 Hz	Do 20 m	1,5 mm <sup>2</sup>
230 – 240 V/50 Hz	20 – 50 m	2,5 mm <sup>2</sup>



#### NEBEZPEČÍ! Úraz elektrickým proudem!

**Přes odříznutou síťovou zástrčku může přes síťový kabel vniknout do elektrické oblasti vlhkost a způsobit zkrat.**

- **Síťovou zástrčku v žádném případě nestříhejte (např. stěnová průchodka).**
  - Netahejte zástrčku za kabel, když ji chcete vytáhnout ze zásuvky, chytněte ji za těleso zástrčky.
  - Pokud se u tohoto přístroje poškodí síťové přírodní vedení, musí být vyměněno výrobcem nebo jeho servisem nebo podobně kvalifikovanou osobou, aby se vyloučilo ohrožení elektrickým proudem.
- Zástrčky a spojky musí být chráněny proti střikající vodě.

Ujistěte se, že se elektrické připojení nenachází v oblasti zaplavené vodou.

Zástrčku a síťový kabel chraňte před horkem, olejem a ostrými hranami.

Dbejte síťového napětí. Údaje na typovém štítku musí souhlasit s údaji v síti.

Při pobytu v bazénu nebo při dotyku vodní plochy musí být bezpodmínečně vytažena síťová zástrčka čerpadla.

K přenášení nebo upevňování čerpadla nepoužívejte napájecí kabel.

Pro ponoření, resp. vytažení a zajištění čerpadla musí být použit upevňovací provaz.

Pravidelně kontrolujte přírodní vedení.

Před použitím čerpadla zkontrolujte pohledem, zda není poškozené (hlavně kabel a zástrčku).

Poškozené čerpadlo nikdy nepoužívejte. Čerpadlo v případě poškození bezpodmínečně nechte zkontrolovat v servisu firmy GARDENA.

Návod na montáž: Všechny šrouby opět ručně dotáhnout.

Před použitím po údržbě zajistit, aby byly všechny díly přišroubovány.

Při využití našich čerpadel s generátorem je třeba dbát výstražných pokynů výrobce generátoru.

##### Osobní bezpečnost



#### NEBEZPEČÍ! Nebezpečí udušení!

**Menší díly mohou být snadno spolknuty. Při použití polyetylenových sáčků hrozí malým dětem nebezpečí udušení. Děti se musí během montáže zdržovat v dostatečné vzdálenosti.**

Dbejte na minimální stav vody podle parametrů čerpadla.

Nenechávejte čerpadlo běžet déle než 10 minut proti uzavřené výtláčné straně.

Písek a jiné abrazivní látky vedou k rychlejšímu opotřebení a zkrácení životnosti čerpadla.

Plovákový spínač smí být ovládán pouze mimo vodu.

Hadice nesmí být během provozu vytažena.

Než začnete odstraňovat chyby, nechte čerpadlo vychladnout.

Čerpadlo nesmí být provozováno bez namontovaného kolena.

## 2. MONTÁŽ



#### NEBEZPEČÍ! Poranění!

**Nebezpečí poranění při neúmyslném spuštění produktu.**

- **Než začnete produkt montovat, oddělte ho od elektrického napájení.**

#### Nášroubování kolena do čerpadla [obr. A1]:



#### NEBEZPEČÍ! Poranění!

**Říznutí o oběžné kolo.**

- **Čerpadlo provozujte jen s kolennem.**

- Koleno ① našroubujte do čerpadla ve směru pohybu hodinových ručiček.

Hadice se může připojit pomocí přípoje čerpadla ① a přípojovacího šroubení ② [25 mm (1") a 38 mm (1 1/2")] nebo pomocí spojovacího systému GARDENA [13 mm (1/2")/ 16 mm (5/8")/ 19 mm (3/4")]. Při použití hadice 38 mm (1 1/2") má čerpadlo maximální čerpací výkon (průtok).

#### Připojení hadice přes přípojný čep [obr. A2/A3/A4]:

Přes přípojný čep ② je možné připojit hadice 25 mm (1") a 38 mm (1 1/2").

<b>Průměr hadice</b>	25 mm (1")	38 mm (1 1/2")
<b>GARDENA hadicová spona</b>	č.v. 7193	č.v. 7195

<b>Připojení hadice [obr. A2]</b>	Čep neoddělovat [obr. A3].	Čep priu u ① oddělit [obr. A4].
-----------------------------------	----------------------------	---------------------------------

Hadice 25 mm (1") a 38 mm (1 1/2"), které se mohou připojit přes přípojný čep ②, se musí pojistit např. pomocí **GARDENA hadicové spony č.v. 7193/7195**.

1. Koleno našroubujte do čerpadla ve směru pohybu hodinových ručiček.
2. Našroubujte přípojovací šroubení ② na přípoj čerpadla ①. (U hadic 38 mm (1 1/2") nejprve odřízněte přípojovací hrdlo ② podle drážky u ⑥).

3. Nasuňte hadici na přípojovací šroubení ② a připevněte ji např. pomocí **hadicové spony GARDENA č.v. 7193/7195**.

#### **Připojení hadice pomocí GARDENA zastřešeného systému [obr. A5]:**

Nedoporučujeme používání menších průměrů hadic než 19 mm (3/4"), protože jinak dochází k poklesu výkonu průtoku.

#### **Průměr hadice Připojka čerpadla**

**19 mm (3/4") GARDENA Připoj. sada pro čerpadla č.v. 1752**

→ Připojte hadici pomocí příslušného spojovacího systému GARDENA.

## 3. OBSLUHA



### **NEBEZPEČÍ! Poranění!**

**Nebezpečí poranění při neúmyslném spuštění produktu.**

→ **Než začnete produkt připojovat, nastavit nebo transportovat, oddělte ho od elektrického napájení.**

#### **Čerpání vody:**

Pokud čerpadlo nelze ponořit do rezervoáru vody uchopením za držadlo, musí být do studní, resp. vodních rezervoárů ponořeno vždy pomocí provazu. Minimální hloubka ponoření při uvedení do provozu viz 7. TECHNICKÁ DATA.

Čerpadlo musí být instalováno tak, aby nebyly otvory na sací noze úplně nebo částečně zablokovány.

V rybníku by mělo být čerpadlo postaveno například na cihlu.

1. Ponořte čerpadlo do rezervoáru vody.
2. Připojte čerpadlo k elektrickému napájení.  
*Pozor! Čerpadlo ihned naběhne.*

#### **Automatický provoz s plovákovým spínačem [obr. O1]:**

**Aby se čerpadlo při nedostatku vody automaticky vypnulo, musí se plovákový spínač ③ volně pohybovat po vodní hladině.**

#### **Nastavení zapínací a vypínací výšky [obr. O1]:**

Maximální spínací výška a minimální vypínací výška (viz 7. TECHNICKÁ DATA) mohou být nastaveny tak, že se kabel plovákového spínače zatlačí do aretace plovákového spínače.

- Čím kratší je kabel mezi plovákovým spínačem ③ a aretací plovákového spínače ④, tím nižší je spínací výška a tím vyšší je vypínací výška.

→ Zatlačte kabel plovákového spínače ③ do otvoru aretace plovákového spínače ④.



### **POZOR!**

**Aby bylo zaručeno zapnutí a vypnutí plovákového spínače, musí být délka kabelu mezi plovákovým spínačem a aretací plovákového spínače minimálně 10 cm.**

#### **Manuální provoz [obr. O2]:**

**Čerpadlo zůstává trvale v provozu, protože je plovákový spínač přemostěn.**

1. Posuňte plovákový spínač ③ s kabelem dolů na aretaci plovákového spínače ④.
2. Čerpadlo postavte stabilně do vody.
3. Připojte čerpadlo k elektrickému napájení.  
*Pozor! Čerpadlo ihned naběhne.*

Minimální výšky zbylé vody (viz 7. TECHNICKÁ DATA) se dosáhne pouze v manuálním provozu, protože v automatickém provozu vypne plovákový spínač čerpadlo příliš brzy.

## 4. ÚDRŽBA



### **NEBEZPEČÍ! Poranění!**

**Nebezpečí poranění při neúmyslném spuštění produktu.**

→ **Než začnete na produktu provádět údržbu, oddělte ho od elektrického napájení.**

#### **Propláchnutí čerpadla:**

Po čerpání vody s obsahem chloru musí být čerpadlo propláchnuto.

1. Čerpejte vlažnou vodu (max. 35 °C) eventuálně vodu s přísadou jemného čistícího prostředku (např. mycího prostředku) tak dlouho, až je čerpaná voda čirá.
2. Zbytky odstraňte podle směrnic zákona na odstranění odpadů.

## 5. SKLADOVÁNÍ

### Vyřazení z provozu:

**Čerpadlo není odolné mrazu!**

**Produkt musí být uchováván mimo dosah dětí.**

1. Odpojte čerpadlo od elektrického napájení.
2. Otáčejte čerpadlo za hlavu tak až už nevytéká žádná voda.
3. Čerpadlo vyčistěte (viz 4. ÚDRŽBA).
4. Čerpadlo skladujte na suchém, uzavřeném místě, chráněném proti mrazu.

### Likvidace výrobku:

(podle RL2012/19/EU)



Produkt nesmí být likvidován spolu s běžným domácím odpadem. Musí být likvidován podle platných místních ekologických předpisů.

### DŮLEŽITÉ!

→ Likvidujte produkt prostřednictvím Vašeho místního recyklačního sběrného místa.

CS

## 6. ODSTRAŇOVÁNÍ CHYB



**NEBEZPEČÍ! Poranění!**

**Nebezpečí poranění při neúmyslném spuštění produktu.**

→ Než začnete odstraňovat chyby produktu, odpojte produkt od elektrického napájení.

### Čištění sací nohy a oběžného kola [obr. T1]:

1. Vyšroubujte 4 křížové šrouby ④.
2. Stáhněte z čerpadla sací nohu ⑤.
3. Vyčistěte sací nohu ⑤ a oběžné kolo ⑥ (při těchto údržbářských pracích záruka nezaniká).
4. Sací nohu ⑤ opět nasadte.
5. Opět zašroubujte 4 křížové šrouby ④.

**Poškozené oběžné kolo smí z bezpečnostních důvodů vyměňovat pouze servis GARDENA.**

Problém	Možná příčina	Náprava
<b>Čerpadlo běží, ale nečerpá žádnou vodu</b>	Vzduch nemůže uniknout, výtlačné potrubí je uzavřené. (Event. přehnutá tlaková hadice).	→ Otevřete tlakové vedení (např. uzavírací ventil, dávkovací přístroje).
	Vzduchový polštář v sací patce.	→ Počkejte asi 60 sekund, až se čerpadlo samo odvzdušní (popř. vypnout/zapnout).
	Sací otvor je ucpan.	→ Vyčistěte sací otvor pomocí proudu vody.
	Hadice je ucpaná.	→ Odstraňte ucpaní hadice.
	Oběžné kolo je zablokováno.	→ Sací nohu a oběžné kolo vyčistěte.
	Při uvedení čerpadla do chodu je hladina vody pod minimální úroveň.	→ Ponořte čerpadlo hlouběji.
<b>Čerpadlo nenaskočí nebo zůstává během provozu stát</b>	Teplotní ochranný spínač čerpadlo vypnul kvůli přehřátí.	→ Vyčistěte sací otvor. Dbejte maximální teploty média (35 °C).
	Čerpadlo bez elektrického napájení.	→ Zkontrolujte pojistky a elektrické konektorové spoje.
	Zareagoval RCD-spínač (chybový proud).	→ Odpojte čerpadlo od elektrického napájení a obraťte se na servis GARDENA.
<b>Čerpadlo běží, ale čerpací výkon náhle poklesne</b>	Sací otvor je ucpan.	→ Vyčistěte sací otvor pomocí proudu vody.
	Hadice je ucpaná.	→ Odstraňte ucpaní hadice.



**POZNÁMKA: V případě jiných poruch se prosím obraťte na Vaše servisní centrum GARDENA. Opravy smí provádět pouze servisní centra GARDENA a odborní prodejci, kteří jsou firmou GARDENA autorizováni.**

## 7. TECHNICKÁ DATA

<i>Ponorné čerpadlo</i>	<b>Jednotka</b>	<b>Hodnota (č.v. 9000)</b>	<b>Hodnota (č.v. 9001)</b>	<b>Hodnota (č.v. 9007)</b>	<b>Hodnota (č.v. 9008)</b>
<b>Jmenovitý výkon</b>	W	250	400	250	400
<b>Síťové napětí</b>	V (AC)	230	230	230	230
<b>Síťová frekvence</b>	Hz	50	50	50	50
<b>Max. čerpací množství</b>	l/h	8200	8600	9200	10.500
<b>Max. tlak/ max. čerpací výška</b>	bar / m	0,5 5,0	0,55 5,5	0,4 4,0	0,5 5,0
<b>Max. hloubka ponoru</b>	m	6	6	6	6
<b>Min./max. spínací výška</b>	cm	23 / 50	23 / 50	26 / 45	26 / 45
<b>Min./max. vypínací výška</b>	cm	7 / 20	7 / 20	11 / 16	11 / 16
<b>Výška zbytku vody</b>	mm	4	4	25	25
<b>Špinavá voda s maximálním průměrem nečistot</b>	mm	5	5	25	25
<b>Minimální výška hladiny při uvedení do provozu (asi)</b>	cm	25	25	50	50
<b>Přípojný kabel</b>	m	10 (H05RN-F)	10 (H05RN-F)	10 (H05RN-F)	10 (H05RN-F)
<b>Hmotnost bez kabelu (asi)</b>	kg	2,55	2,85	2,55	2,9
<b>Max. teplota čerpaného média</b>	°C	35	35	35	35

CS

## 8. PŘÍSLUŠENSTVÍ/NÁHRADNÍ DÍLY

<b>GARDENA Hadicová spona</b>	Pro hadice 25 mm (1") pro připojení přespřípojný čep.	<b>č.v. 7193</b>
<b>GARDENA Hadicová spona</b>	Pro hadice 38 mm (1 1/2") pro připojení přespřípojný čep.	<b>č.v. 7195</b>
<b>GARDENA Sada přípojek pro čerpadla</b>	Pro hadice 19 mm (3/4") pro připojení přes GARDENA zástrčný systém.	<b>č.v. 1752</b>
<b>GARDENA Sada ploché hadice</b>	10 m hadice 38 mm (1 1/2") s hadicovou svorkou.	<b>č.v. 5005</b>

## 9. SERVIS

Aktuální kontaktní informace na naše servisní oddělení naleznete online na adrese:

[www.gardena.com/contact](http://www.gardena.com/contact)

# GARDENA Ponorné čerpadlo na čistú vodu / Ponorné čerpadlo na znečistenú vodu

1. BEZPEČNOSTNÉ UPOZORNENIA	32
2. MONTÁŽ	33
3. OBSLUHA	34
4. ÚDRŽBA	35
5. SKLADOVANIE	35
6. ODSTRÁŇOVANIE PORÚCH	35
7. TECHNICKÉ ÚDAJE	36
8. PRÍSLUŠENSTVO/NÁHRADNÉ DIELY	36
9. SERVIS	36

ak ste unavený, chorý alebo pod vplyvom alkoholu, drog alebo liekov.

## Určené použitie:

**GARDENA Ponorné čerpadlo** je určené na odvodňovanie pri záplavách, ale aj na prečerpávanie a odčerpávanie nádrží, na odber vody zo studní a šácht, na odvodňovanie člnov a jácht, ako aj na časovo obmedzené prevzdušňovanie vody a recirkuláciu vody, a na čerpanie vody obsahujúcej chlór v súkromnej záhradke.

## Dopravované kvapaliny:

GARDENA ponorným čerpadlom sa smie čerpať iba voda. Čerpadlu nevedí zaplavenie vodou (vodotesné) a je určené na ponorenie do vody (max. hĺbka ponoru, pozri 7. TECHNICKÉ ÚDAJE).

Výrobok je vhodný iba na čerpanie nasledujúcich kvapalín:

- **Ponorné čerpadlo na čistú vodu:** čistá alebo ľahko znečistená voda s priemerom zrna 5 mm.
- **Ponorné čerpadlo na znečistenú vodu:** znečistená voda s priemerom zrna max. 25 mm.

Výrobok nie je určený na dlhodobú prevádzku (prevádzka s nepretržitým obehom).

## Preklad originálneho návodu na obsluhu.



Tento výrobok môžu používať deti staršie ako 8 rokov, ako aj osoby so zníženými fyzickými, zmyslovými alebo mentálnymi schopnosťami alebo nedostatkom skúseností a vedomostí, ak sú pod dohľadom alebo boli o bezpečnom používaní zariadenia poučené a pochopili z toho vyplývajúce nebezpečenstvá. Deti sa s výrobkom nesmú hrať. Deti nesmú vykonávať čistenie a bežnú údržbu bez dohľadu. Obsluhu tohto výrobku odporúčame zveriť mladistvým až od veku 16 rokov. Nepoužívajte výrobok vtedy,



## NEBEZPEČENSTVO! Ublíženie na zdraví!

→ Čerpať sa nesmie slaná voda, žieravé, ľahko horľavé alebo výbušné látky (napr. benzín, petrolej, nitroriedidlá), oleje, vykurovací olej a potraviny.

## 1. BEZPEČNOSTNÉ UPOZORNENIA

### DÔLEŽITÉ!

Prečítajte si starostlivo návod na obsluhu a uschovajte ho pre ďalšie použitie.

### Symbols na výrobku:



Prečítajte si návod na obsluhu.

### Všeobecné bezpečnostné upozornenia

#### Elektrická bezpečnosť



### NEBEZPEČENSTVO!

Zásah elektrickým prúdom!

Nebezpečenstvo zranenia zásahom elektrického prúdu.

→ Napájanie výrobku elektrickým prúdom musí byť vybavené prúdovým chráničom (RCD) s menovitým spúšťacím prúdom minimálne 30 mA.



### NEBEZPEČENSTVO!

Nebezpečenstvo poranenia!

Nebezpečenstvo zranenia zásahom elektrického prúdu.

→ Predtým než budete vykonávať údržbu alebo vymieňať diely, odpojte výrobok od siete. Preto sa musí zásuvka nachádzať vo Vašom zornom poli.

### Bezpečná prevádzka

Teplota vody nesmie prekročiť hodnotu 35 °C.

Čerpadlo sa nesmie používať, pokiaľ sa vo vode nachádzajú osoby.

Únikom mazív by mohlo dôjsť k znečisteniu kvapalín.

Zabráňte prístupu tretích osôb k vode.

Čerpadlo prevádzkujte iba s kolenom.



## Ochranný vypínač

### Tepelný ochranný spínač:

Vstavaná tepelná ochrana motora vypne pri preťažení čerpadlo. Po dostatočnom vychladnutí motora je čerpadlo opäť pripravené na prevádzku.

### Automatické odvodušňovanie

Toto čerpadlo je vybavené odvodušňovacím ventilom, ktorý odstráni prípadný vzduchový vankúš v čerpadle. V závislosti od funkcie tak môže zbokou na telese vytečť malé množstvo vody.

### Dodatčné bezpečnostné upozornenia

#### Elektrická bezpečnosť



#### NEBEZPEČENSTVO! Zástava srdca!

Tento výrobok vytvára počas prevádzky elektromagnetické pole. Toto pole môže mať za určitých podmienok vplyv na činnosť aktívnych alebo pasívnych medicínskych implantátov. Aby sa eliminovali nebezpečné situácie, ktoré by mohli viesť k ťažkým alebo smrteľným zraneniam, mali by osoby s medicínskym implantátom použitie tohto výrobku konzultovať so svojím lekárom alebo s výrobcou implantátu.

#### Kábel

Pri použití predlžovacieho kábla musí jeho minimálny prierez zodpovedať nasledujúcej tabuľke:

Napätie	Dĺžka kábla	Prierez
230 – 240 V / 50 Hz	Až do 20 m	1,5 mm <sup>2</sup>
230 – 240 V / 50 Hz	20 – 50 m	2,5 mm <sup>2</sup>



#### NEBEZPEČENSTVO! Zásah elektrickým prúdom!

Cez odrezanú sieťovú zástrčku môže cez sieťový kábel vniknúť do elektrickej oblasti vlhkosť a spôsobiť skrat.

→ Sieťovú zástrčku v žiadnom prípade nestrihajte (napr. stenová priechodka).

→ Nefahajte zástrčku za kábel, aj ju chcete vytiahnuť zo zásuvky, chyťte ju za teleso zástrčky.

→ Pre zamedzenie nebezpečenstva musí výmenu sieťového kábla tohto prístroja v prípade jeho poškodenia urobiť výrobca alebo jeho zákaznícky servis alebo podobná kvalifikovaná osoba.

Zástrčky a spojky musia byť chránené proti striekajúcej vode.

Ubezpečte sa, že sa elektrické pripojenie nenachádza v oblasti zaplavenej vodou.

Zástrčku a sieťový kábel chráňte pred horkom, olejom a ostrými hranami.

Dbajte na sieťové napätie. Údaje na typovom štítku musia súhlasiť s údajmi v sieti.

Pri zdŕžiavaní sa v bazéne alebo pri dotyku s vodnou plochou sa musí bezpodmienečne vytiahnuť sieťová zástrčka čerpadla.

Na prenášanie alebo upevňovanie čerpadla nepoužívajte napájací kábel.

Na ponorenie, resp. vytiahnutie a zaistenie čerpadla, sa musí použiť upevňovacie lano.

Pripojné vedenie kontrolujte pravidelne.

Pred použitím čerpadla skontrolujte pohľadom, či nie je poškodené (hlavne kábel a zástrčku).

Poškodené čerpadlo nikdy nepoužívajte. Čerpadlo v prípade poškodenia bezpodmienečne nechajte skontrolovať v servise firmy GARDENA.

Návod na montáž: znova rukou pevne utiahnite všetky skrutky.

Pred použitím po vykonaní údržby zabezpečte, aby boli zoskrutkované všetky diely.

Pri použití našich čerpadiel s generátormi sa musia rešpektovať výstražné upozornenia výrobcu generátora.

#### Osobná bezpečnosť



#### NEBEZPEČENSTVO! Nebezpečenstvo zadusenía!

Menšie diely je možné ľahko prehltnúť. Obaly z umelých hmôt predstavujú pre malé deti nebezpečenstvo zadusenía. Pri montáži držte malé deti v dostatočnej vzdialenosti.

Dodržiavajte minimálnu hladinu vody podľa parametrov čerpadla.

Nenechávajte čerpadlo bežať dlhšie ako 10 minút proti uzatvorenej výťažnej strane.

Piesok a iné abrazívne látky vedú k rýchlejšiemu opotrebeniu a skráteniu životnosti čerpadla.

Plavákový spínač sa smie obsluhovať iba mimo vody.

Počas prevádzky sa nesmie vyťahovať hadica.

Pred odstraňovaním poruchy nechajte čerpadlo vychladnúť.

Čerpadlo sa nesmie prevádzkovať bez namontovaného kolena.

## 2. MONTÁŽ



**NEBEZPEČENSTVO! Ublíženie na zdraví!**  
Nebezpečenstvo zranenia v prípade, že výrobok náhodne našartuje.

→ Pred montážou výrobku ho odpojte od zdroja prúdu.

#### Zaskrutkovanie kolena do čerpadla [Obr. A1]:



**NEBEZPEČENSTVO! Ublíženie na zdraví!**  
Rezné poranenie spôsobené obežným kolesom.

→ Čerpadlo prevádzkujte iba s kolenom.

→ Zaskrutkujte koleno ① do čerpadla v smere hodinových ručičiek.

Hadica sa môže pripojiť cez prípojku čerpadla ① a prípojnú vsuvku ② [25 mm (1") a 38 mm (1 1/2")] alebo cez GARDENA zásuvný systém [13 mm (1/2")/16 mm (5/8")/19 mm (3/4")]. Pri použití 38 mm (1 1/2") hadice má čerpadlo maximálny čerpací výkon.

#### **Pripojenie hadice cez prípojný čap [Obr. A2/A3/A4]:**

Cez prípojný čap ② je možné pripojiť hadice 25 mm (1") a 38 mm (1 1/2").

<b>Priemer hadice</b>	25 mm (1")	38 mm (1 1/2")
<b>GARDENA Hadicová spona</b>	<b>č.v. 7193</b>	<b>č.v. 7195</b>

<b>Pripojenie hadice [Obr. A2]</b>	Čap neoddeľovať [Obr. A3].	Čap pri ① oddeľiť [Obr. A4].
------------------------------------	----------------------------	------------------------------

Hadice 25 mm (1") a 38 mm (1 1/2"), ktoré sa môžu pripojiť cez prípojný čap ②, sa musia poistiť napr. pomocou **GARDENA hadicovej spony č.v. 7193/7195**.

1. Zaskrutkujte koleno do čerpadla v smere hodinových ručičiek.
2. Naskrutkujte prípojnú vsuvku ② na prípojku čerpadla ①. (Pri 38 mm (1 1/2") hadiciach najskôr odpojte prípojnú vsuvku ② v drážke pri ②).
3. Nasuňte hadicu na prípojnú vsuvku ② a upevnite ju napr. pomocou **GARDENA hadicovej spony č.v. 7193/7195**.

#### **Pripojenie hadice pomocou GARDENA zástrčného systému [Obr. A5]:**

Neodporúčame použiť menší priemer hadice ako 19 mm (3/4"), pretože inak dôjde k zníženiu výkonu dopravovaného množstva.

**Priemer hadice**    **Prípojka čerpadla**

**19 mm (3/4")**    **GARDENA Prípoj. sada pre čerpadlá**    **č.v. 1752**

→ Pripojte hadicu cez príslušný GARDENA zásuvný systém.

sk

## 3. OBSLUHA



### **NEBEZPEČENSTVO! Ublíženie na zdraví!**

**Nebezpečenstvo zranenia v prípade, že výrobok náhodne naštartuje.**

→ **Pred pripojením, nastavením alebo prepravou výrobku ho odpojte od zdroja prúdu.**

#### **Čerpanie vody:**

Ak sa čerpadlo nedá ponoriť do vodnej nádrže za rúkav, čerpadlo sa musí vždy ponoriť do studne, resp. vodnej nádrže, za lano. Minimálna hĺbka ponoru pri uvedení do prevádzky, pozri 7. TECHNICKÉ ÚDAJE.

Čerpadlo sa musí nainštalovať tak, aby vtokové otvory na prísavnej pätky neboli úplne alebo čiastočne blokovanie nečistotami.

V jazierku by sa malo čerpadlo postaviť napríklad na tehlu.

1. Ponorte čerpadlo do vodnej nádrže.
2. Spojte čerpadlo so zdrojom prúdu.  
*Pozor! Čerpadlo sa okamžite rozbehne.*

#### **Automatická prevádzka s plavákovým spínačom [Obr. O1]:**

**Aby sa čerpadlo pri neprítomnosti kvapaliny na čerpanie automaticky vyplo, musí sa plavákový vypínač ③ voľne pohybovať na vodnej hladine.**

#### **Nastavenie zapínacej a vypínacej výšky [Obr. O1]:**

Maximálnu spínicu výšku a minimálnu vypínicu výšku (pozri 7. TECHNICKÉ ÚDAJE) je možné prispôsobiť tým,

že sa kábel plavákového spínača zastrčí do aretácie plavákového spínača.

- Čím kratší kábel medzi plavákovým spínačom ③ a aretáciou plavákového spínača ④, tým nižšia zapínicia výška a tým vyššia vypínicia výška.

→ Zatláčajte kábel plavákového spínača ③ do otvoru aretácie plavákového spínača ④.



### **POZOR!**

**Aby bolo zaručené zapnutie a vypnutie plavákového spínača, musí byť dĺžka kábla medzi plavákovým spínačom a aretáciou plavákového spínača min. 10 cm.**

#### **Manuálna prevádzka [Obr. O2]:**

**Čerpadlo zostane nepretržite v prevádzke, pretože sa premostí plavákový spínač.**

1. Potlačte plavákový spínač ③ s káblom nadol na aretáciu plavákového spínača ④.
2. Nainštalujte čerpadlo stabilne vo vode.
3. Spojte čerpadlo so zdrojom prúdu.  
*Pozor! Čerpadlo sa okamžite rozbehne.*

Min. výška zvyškovej vody (pozri 7. TECHNICKÉ ÚDAJE) sa dosiahne iba v manuálnej prevádzke, pretože v automatickej prevádzke vypne plavákový spínač čerpadlo už predčasne.

## 4. ÚDRŽBA



**NEBEZPEČENSTVO! Ublíženie na zdraví!**  
**Nebezpečenstvo zranenia v prípade,**  
**že výrobok náhodne naštartuje.**

→ Pred vykonaním údržby na výrobku ho odpojte od zdroja prúdu.

### Preplach čerpadla:

Po čerpaní vody obsahujúcej chlór sa musí čerpadlo prepláchnuť.

1. Čerpajte vlažnú vodu (max. 35 °C) eventuálne s prísadou jemného čistiaceho prostriedku (napr. vyplachovací prostriedok), kým nebude čerpaná voda čistá.
2. Zlikvidujte zvyšky podľa smerníc zákona o likvidácii odpadu.

## 5. SKLADOVANIE

### Odstavenie z prevádzky:

**Čerpadlo nie je mrazuvzdorné!**

**Výrobok musí byť skladovaný na mieste, ktoré je neprístupné deťom.**

1. Odpojte čerpadlo od zdroja prúdu.
2. Obráťte čerpadlo dolu hlavou, kým už nebude vytekať žiadna voda.
3. Vyčistite čerpadlo (pozri 4. ÚDRŽBA).
4. Skladujte čerpadlo na suchom, uzavretom mieste zabezpečenom voči mrazu.

### Likvidácia výrobku:

(v zmysle Smernice 2012/19/EÚ)



Výrobok sa nesmie likvidovať v bežnom domácom odpade. Musí sa zlikvidovať podľa platných miestnych predpisov týkajúcich sa ochrany životného prostredia.

### DÔLEŽITÉ!

→ Výrobok zlikvidujte na miestne príslušnom zberom a recyklačnom mieste.

## 6. ODSTRANOVANIE PORÚCH



**NEBEZPEČENSTVO! Ublíženie na zdraví!**  
**Nebezpečenstvo zranenia v prípade,**  
**že výrobok náhodne naštartuje.**

→ Pred odstraňovaním poruchy výrobku ho odpojte od zdroja prúdu.

### Čistenie prísavnej päty a obežného kolesa [Obr. T1]:

1. Vyskrutkujte 4 skrutky s križovou drážkou ④.
2. Stiahnite prísavnú pätku ⑤ z čerpadla.
3. Vyčistite prísavnú pätku ⑤ a obežné koleso ⑥ (týmito prácami údržby nezaničí záruka).
4. Nasadíte späť prísavnú pätku ⑤.
5. Zaskrutkujte späť 4 skrutky s križovou drážkou ④.

**Z bezpečnostných dôvodov smie poškodené obežné koleso vymeniť iba servis GARDENA.**

Problém	Možná príčina	Odstránenie
Čerpadlo beží, ale nečerpá vodu	Vzduch nemôže uniknúť, výtlačné potrubie je uzatvorené. (Event. prehnutá tlaková hadica).	→ Otvorte tlakové potrubie (napr. uzavierací ventil, dávkovacie zariadenia).
	Vzduchový vankúš v sacej pätke.	→ Počkajte cca 60 sekúnd, kým sa čerpadlo samo neodvzdušní (prípadne ho vypnite/zapnite).
	Nasávací otvor je upchatý.	→ Vyčistite nasávací otvor prúdom vody.
	Hadica je upchatá.	→ Odstráňte upchatie v hadici.
	Obežné koleso je blokové.	→ Vyčistite prísavnú pätku a obežné koleso.
	Pri uvedení čerpadla do chodu je hladina vody pod minimálnou úroveňou.	→ Ponorte čerpadlo hlbšie.

Problém	Možná příčina	Odstránenie
Čerpadlo nenaskočí alebo zostáva počas prevádzky stáť	Tepelný ochranný spínač vypol čerpadlo kvôli preťaženiu.	→ Vyčistite nasávací otvor. Dodržte maximálnu teplotu média (35 °C).
	Čerpadlo bez prúdu.	→ Skontrolujte poisťky a elektrické konektory.
	Zareagoval prúdový chránič (chybný prúd).	→ Odpojte čerpadlo od zdroja prúdu a obráťte sa na servis GARDENA.
Čerpadlo beží, ale čerpací výkon náhle poklesne	Nasávací otvor je upchatý.	→ Vyčistite nasávací otvor prúdom vody.
	Hadica je upchatá.	→ Odstráňte upchatie v hadici.



**UPOZORNENIE:** Pri iných poruchách sa obráťte na servisné stredisko GARDENA. Opravy môžu vykonávať len servisné strediská GARDENA alebo predajcovia, ktorí sú certifikovaní výrobcom GARDENA.

sk

## 7. TECHNICKÉ ÚDAJE

Ponorné čerpadlo	Jednotka	Hodnota (č.v. 9000)	Hodnota (č.v. 9001)	Hodnota (č.v. 9007)	Hodnota (č.v. 9008)
Menovitý výkon	W	250	400	250	400
Sieťové napätie	V (AC)	230	230	230	230
Sieťová frekvencia	Hz	50	50	50	50
Max. čerpacie množstvo	l/h	8200	8600	9200	10.500
Max. tlak/ max. čerpacia výška	bar / m	0,5 5,0	0,55 5,5	0,4 4,0	0,5 5,0
Max. hĺbka ponoru	m	6	6	6	6
Min./max. zapínacia výška	cm	23 / 50	23 / 50	26 / 45	26 / 45
Min./max. vypínacia výška	cm	7 / 20	7 / 20	11 / 16	11 / 16
Výška zvyškovej vody	mm	4	4	25	25
Znečistená voda s max. priemerom zrna	mm	5	5	25	25
Minimálna výška hladiny pri uvedení do prevádzky (cca)	cm	25	25	50	50
Prípojný kábel	m	10 (H05RN-F)	10 (H05RN-F)	10 (H05RN-F)	10 (H05RN-F)
Hmotnosť bez kábla (cca)	kg	2,55	2,85	2,55	2,9
Max. teplota čerpaného média	°C	35	35	35	35

## 8. PRÍSLUŠENSTVO/NÁHRADNÉ DIELY

GARDENA Hadicová spona	Pre hadice 25 mm (1") pre pripojenie cez prípojny čap.	č.v. 7193
GARDENA Hadicová spona	Pre hadice 38 mm (1 1/2") pre pripojenie cez prípojny čap.	č.v. 7195
GARDENA Sada prípojok pre čerpadlá	Pre hadice 19 mm (3/4") pre pripojenie cez GARDENA zástrčný systém.	č.v. 1752
GARDENA Súprava plochej hadice	10 m 38 mm (1 1/2") hadica s hadicovou svorkou.	č.v. 5005

## 9. SERVIS

Aktuálne kontaktné informácie nášho servisného oddelenia nájdete na webovej stránke:

[www.gardena.com/contact](http://www.gardena.com/contact)

# Υποβρύχια αντλία καθαρού νερού / Υποβρύχια αντλία λυμάτων GARDENA

1. ΥΠΟΔΕΙΞΕΙΣ ΑΣΦΑΛΕΙΑΣ	37
2. ΣΥΝΑΡΜΟΛΟΓΗΣΗ	39
3. ΧΕΙΡΙΣΜΟΣ	39
4. ΣΥΝΤΗΡΗΣΗ	40
5. ΑΠΟΘΗΚΕΥΣΗ	40
6. ΑΝΤΙΜΕΤΩΠΙΣΗ ΣΦΑΛΜΑΤΩΝ	40
7. ΤΕΧΝΙΚΑ ΧΑΡΑΚΤΗΡΙΣΤΙΚΑ	41
8. ΕΞΑΡΤΗΜΑΤΑ/ΑΝΤΑΛΛΑΚΤΙΚΑ	42
9. ΣΕΡΒΙΣ	42

ή κάτω από την επιρροή οινόπνευματος, ναρκωτικών ή φαρμάκων.

## Προβλεπόμενη χρήση:

Η **Υποβρύχια αντλία GARDENA** προορίζεται για την αποστράγγιση σε πλημμύρες αλλά και για μετάγγιση ή απάντληση δοχείων, για λήψη νερού από πηγάδια και φρεσάπια, για αποστράγγιση βαρκών και σκαφών καθώς και για χρονικά περιορισμένο αερισμό και κυκλοφορία νερού και για την άντληση νερού με περιεκτικότητα σε χλώριο στον ιδιωτικό οικιακό και ερασιτεχνικό κήπο.

## Μετάφραση των πρωτότυπων οδηγιών χρήσης.



Αυτό το προϊόν επιτρέπεται να χρησιμοποιείται από παιδιά άνω των 8 ετών καθώς και από άτομα με μειωμένες τις φυσικές, αισθητικές ή διανοητικές ικανότητες ή με έλλειψη πείρας και γνώσεων, εφόσον επιτηρούνται ή έχουν ενημερωθεί για την ασφαλή χρήση του προϊόντος και τους ενδεχόμενους κινδύνους. Τα παιδιά δεν επιτρέπεται να παίζουν με το προϊόν. Ο καθαρισμός και οι εργασίες συντήρησης που εκτελούνται από τον πελάτη δεν επιτρέπεται να εκτελούνται από μη επιτηρούμενα παιδιά. Συνιστούμε τη χρήση του προϊόντος μόνο από άτομα άνω των 16 ετών. Μη χρησιμοποιείτε ποτέ το προϊόν όταν είστε κουρασμένοι, άρρωστοι

## Αντλούμενα υγρά:

Με την υποβρύχια αντλία GARDENA επιτρέπεται μόνο η μεταφορά νερού.

Η αντλία είναι πλήρως βυθιζόμενη (σύστημα αδιαβροχοποίησης) και μπορείτε να την βυθίσετε μέσα στο νερό (μέγ. βάθος βύθισης βλέπε 7. ΤΕΧΝΙΚΑ ΧΑΡΑΚΤΗΡΙΣΤΙΚΑ).

Το προϊόν είναι κατάλληλο για την άντληση των ακόλουθων υγρών:

- **Υποβρύχια αντλία καθαρού νερού:** καθαρό έως ελαφράς ρύπανσης νερό με μέγ. διάμετρο σωματιδίων 5 mm.
- **Υποβρύχια αντλία λυμάτων:** νερό με ρύπανση με μέγ. διάμετρο σωματιδίων 25 mm.

Το προϊόν δεν ενδείκνυται για λειτουργία μεγάλης διάρκειας (συνεχής λειτουργία κυκλοφορίας).



## ΚΙΝΔΥΝΟΣ! Πρόκληση σωματικής βλάβης!

→ Απαγορεύεται η μεταφορά θαλασσινού νερού, καυστικών, εύφλεκτων ή εκρηκτικών ουσιών (π.χ. βενζίνη, πετρέλαιο ή νίτρο), λαδιών, πετρελαίου και τροφίμων.

## 1. ΥΠΟΔΕΙΞΕΙΣ ΑΣΦΑΛΕΙΑΣ

### ΣΗΜΑΝΤΙΚΟ!

Μελετήστε με προσοχή τις οδηγίες χρήσης και φυλάξτε τις για μελλοντική χρήση.

Σύμβολα επάνω στο προϊόν:



Μελετήστε τις οδηγίες χρήσης.

Γενικές υποδείξεις ασφαλείας

Ηλεκτρική ασφάλεια



**ΚΙΝΔΥΝΟΣ! Ηλεκτροπληξία!**

Κίνδυνος τραυματισμού από ηλεκτρικό ρεύμα.

→ Το προϊόν πρέπει να τροφοδοτείται με ρεύμα μέσω αντιηλεκτροληξιακού διακόπτη (RCD) με μέγιστο ονομαστικό ρεύμα απόρριξης 30 mA.



**ΚΙΝΔΥΝΟΣ! Κίνδυνος τραυματισμού!**

Κίνδυνος τραυματισμού από ηλεκτρικό ρεύμα.

→ Αποσυνδέστε το προϊόν από το δίκτυο προτού το συντηρήσετε ή αντικαταστήσετε εξαρτήματα. Η πρίζα πρέπει να βρίσκεται στο οπτικό πεδίο σας.

Ασφαλής λειτουργία

Η θερμοκρασία του νερού δεν πρέπει να υπερβαίνει τους 35 °C.

Η αντλία δεν επιτρέπεται να χρησιμοποιηθεί όταν βρίσκονται άτομα μέσα στο νερό.

Ρύπανση του υγρού ή θα μπορούσε να προκύψει από τη διαρροή λιπαντικών.

Κρατάτε τους τρίτους μακριά από το νερό.

Χρησιμοποιείτε την αντλία μόνο με το γωνιακό εξάρτημα.

### Διακόπτης προστασίας

#### Θερμοστατικός διακόπτης:

Σε περίπτωση υπερφόρτωσης, η αντλία τίθεται εκτός λειτουργίας από τον ενσωματωμένο θερμοστατικό διακόπτη του κινητήρα. Η αντλία είναι και πάλι σε λειτουργική ετοιμότητα ύστερα από επαρκή ψύξη του κινητήρα.

### Αυτόματη εξαέρωση

Αυτή η αντλία διαθέτει βαλβίδα εξαέρωσης, η οποία εξαλείφει τυχόν εγκλωβισμένο στην αντλία αέρα. Εξαιτίας της λειτουργίας μπορεί έτσι να εξέλθει μια ελάχιστη ποσότητα νερού πλευρικά στο περίβλημα.

### Πρόσθετες υποδείξεις ασφαλείας

#### Ηλεκτρική ασφάλεια



#### **ΚΙΝΔΥΝΟΣ! Καρδιακή ανακοπή!**

**Αυτό το προϊόν δημιουργεί ηλεκτρομαγνητικό πεδίο κατά τη λειτουργία. Αυτό το πεδίο μπορεί υπό ορισμένες συνθήκες να επηρεάσει τη λειτουργία ενεργητικών ή παθητικών ιατρικών εμφυτευμάτων. Για να αποκλειστεί ο κίνδυνος καταστάσεων που μπορούν να καταλήξουν σε σοβαρούς ή θανάσιμους τραυματισμούς, τα άτομα που φέρουν ιατρικό εμφύτευμα πρέπει να συμβουλευτούν το ιατρό τους ή τον κατασκευαστή του εμφυτεύματος προτού χρησιμοποιήσουν το μηχάνημα.**

#### Καλώδια

Κατά τη χρήση καλωδίων προέκτασης αυτά πρέπει να αντιστοιχούν στις ελάχιστες διατομές στον παρακάτω πίνακα:

Τάση	Μήκος καλωδίου	Διατομή
230 – 240 V/50 Hz	Έως 20 m	1,5 mm <sup>2</sup>
230 – 240 V/50 Hz	20 – 50 m	2,5 mm <sup>2</sup>



#### **ΚΙΝΔΥΝΟΣ! Ηλεκτροπληξία!**

**Σε περίπτωση που κόψετε την πρίζα από το καλώδιο σύνδεσης, υγρασία μπορεί να εισχωρήσει στα ηλεκτρικά μέρη της αντλίας μέσω του καλωδίου ρεύματος και να προκαλέσει βραχυκύκλωμα.**

→ **Ποτέ μην κόβετε την πρίζα από το καλώδιο (για παράδειγμα προκειμένου να περάσετε το καλώδιο μέσα από τοίχο).**

→ Μην βγάζετε την πρίζα από το ρεύμα τραβώντας το καλώδιο.

→ Αν υποστεί ζημιά το καλώδιο ηλεκτρικής παροχής αυτής της συσκευής, αυτό πρέπει να αντικαταστα-

θεί από τον κατασκευαστή ή το τμήμα εξυπηρέτησης πελατών του ή ένα άτομο με εφάμιλλα προσόντα προκειμένου να αποφευχθούν κίνδυνοι.

Τα βύσματα σύνδεσης με το δίκτυο και οι σύνδεσμοι πρέπει να διαθέτουν προστασία από πισπιλιές νερού.

Να εξασφαλίσετε να βρίσκονται οι ηλεκτρικοί σύνδεσμοι σε περιοχή που δεν μπορεί να πλημμυρίσει.

Να προστατεύετε το βύσμα και το καλώδιο σύνδεσης με το δίκτυο από μεγάλη ζέση, λάδια και αιχμηρές άκρες.

Προσέχετε την τάση δικτύου. Τα στοιχεία επάνω στην ετικέτα τύπου πρέπει να συμφωνούν με τα στοιχεία του δικτύου ρεύματος.

Για να μπειτε στην ποίνα ή για να ακουμπήσετε την επιφάνεια του νερού πρέπει οπωσδήποτε να είναι αποσυνδεδεμένο το φινι τροφοδοσίας της αντλίας.

Το καλώδιο σύνδεσης δεν επιτρέπεται να χρησιμοποιείται για στερέωση ή μεταφορά της αντλίας.

Για τη βύθιση ή/και το ανέβασμα και την ασφάλιση της αντλίας πρέπει να χρησιμοποιείτε ένα σχοινί στερέωσης.

Να ελέγχετε τακτικά το αγωγό σύνδεσης.

Να ελέγχετε την αντλία πριν από κάθε χρήση της (ιδιαίτερα το καλώδιο και το βύσμα σύνδεσης με το δίκτυο).

Δεν επιτρέπεται να χρησιμοποιείται μία αντλία που έχει υποστεί βλάβη. Σε περίπτωση βλάβης παραδώστε την αντλία οπωσδήποτε για έλεγχο σε ένα Τμήμα Εξυπηρέτησης Πελατών της GARDENA.

Οδηγίες τοποθέτησης: Σφίξτε ξανά όλες τις βίδες με το χέρι.

Πριν από τη χρήση μετά τη συντήρηση βεβαιώστε ότι έχουν βιδωθεί όλα τα εξαρτήματα.

Κατά τη χρήση των αντλιών μας με γεννήτρια πρέπει να λαμβάνονται υπόψη οι υποδείξεις προειδοποίησης του κατασκευαστή της γεννήτριας.

#### Ατομική ασφάλεια



#### **ΚΙΝΔΥΝΟΣ! Κίνδυνος ασφυξίας!**

**Μικρά εξαρτήματα μπορούν να καταποθούν εύκολα. Η πλαστική σακούλα εγκυμονεί κίνδυνο ασφυξίας για μικρά παιδιά. Απομακρύνετε τα παιδιά κατά τη διάρκεια της συναρμολόγησης.**

Λάβετε υπόψη την ελάχιστη στάθμη νερού σύμφωνα με τα χαρακτηριστικά της αντλίας.

Μην αφήνετε την αντλία να λειτουργήσει πάνω από 10 λεπτά σε περίπτωση κλειστής πλευράς πίεσης.

Η άμμος και άλλες λειαντικά υλικά προκαλούν μεγαλύτερη φθορά με αποτέλεσμα να μειώνουν την απόδοση της αντλίας.

Ο χειρισμός του διακόπτη με πλωτήρα επιτρέπεται να διεξάγεται μόνο έξω από το νερό.

Απαγορεύεται η αποσύνδεση του λάστιχου κατά τη λειτουργία.

Αφήστε την αντλία να κρυώσει προτού αντιμετωπίσετε σφάλματα.

Η αντλία δεν επιτρέπεται να λειτουργεί χωρίς το τοποθετημένο γωνιακό εξάρτημα.

## 2. ΣΥΝΑΡΜΟΛΟΓΗΣΗ



### **ΚΙΝΔΥΝΟΣ! Πρόκληση σωματικής βλάβης!**

Κίνδυνος τραυματισμού σε περίπτωση τυχαίας εκκίνησης του προϊόντος.

→ Αποσυνδέετε το προϊόν από την ηλεκτρική τροφοδοσία προτού το συναρμολογήσετε.

### **Βίδωμα γωνιακού εξαρτήματος στην αντλία [Εικ. A1]:**



### **ΚΙΝΔΥΝΟΣ! Πρόκληση σωματικής βλάβης!**

Τραυματισμός από κόψιμο από τη φτερωτή.

→ Χρησιμοποιείτε την αντλία μόνο με το γωνιακό εξάρτημα.

→ Βιδώστε το γωνιακό εξάρτημα ① δεξιόστροφα στην αντλία.

Το λάστιχο μπορεί να συνδεθεί μέσω της σύνδεσης αντλίας ① και του ρακόρ σύνδεσης ② [25 mm (1")- και 38 mm (1 1/2")] ή μέσω του βυσματωτού συστήματος GARDENA [13 mm (1/2")/16 mm (5/8")/19 mm (3/4")]. Η αντλία έχει τη μέγιστη παροχή με τη χρήση ενός λάστιχου 38 mm (1 1/2").

### **Σύνδεση λάστιχου μέσω του ρακόρ [Εικ. A2/A3/A4]:**

Τα λάστιχα 25 mm (1") και 38 mm (1 1/2") μπορείτε να τα συνδέσετε μέσω του ρακόρ ② της αντλίας.

<b>Διάμετρος λάστιχου</b>	25 mm (1")	38 mm (1 1/2")
<b>GARDENA Σφιγκτήρας λάστιχου</b>	<b>Κωδ. 7193</b>	<b>Κωδ. 7195</b>
<b>Σύνδεση λάστιχου [Εικ. A2]</b>	Μην κόψετε το ρακόρ [Εικ. A3].	Κόψτε το ρακόρ στο σημείο ④ [Εικ. A4].

Τα λάστιχα 25 mm (1") και 38 mm (1 1/2") που συνδέσατε με το ρακόρ ② πρέπει να τα σφίξετε, για παράδειγμα με **σφιγκτήρα GARDENA κωδ. 7193/7195**.

- Βιδώστε το γωνιακό εξάρτημα δεξιόστροφα στην αντλία.
- Βιδώστε το ρακόρ σύνδεσης ② στη σύνδεση αντλίας ①. (Αποσυνδέστε προηγουμένως, στα λάστιχα 38 mm (1 1/2"), το ρακόρ σύνδεσης ② στην εγκοπή στο ⑥).
- Πιέστε το λάστιχο στο ρακόρ σύνδεσης ② και στερεώστε το, π.χ., με **κολάρο λάστιχου GARDENA, Κωδ. 7193/7195**.

### **Σύνδεση του λάστιχου με ταχυσύνδεσμους GARDENA [Εικ. A5]:**

Δεν προτείνουμε να χρησιμοποιείτε λάστιχο με διάμετρο μικρότερη από 19 mm (3/4"), καθώς διαφορετικά θα προκληθεί μείωση της ποσότητας μεταφοράς.

<b>Διάμετρος λάστιχου</b>	<b>Σύνδεση με την αντλία</b>	
<b>19 mm (3/4")</b>	<b>GARDENA Σετ σύνδεσης με αντλία</b>	<b>Κωδ. 1752</b>

→ Συνδέστε το λάστιχο μέσω του αντίστοιχου βυσματωτού συστήματος GARDENA.

## 3. ΧΕΙΡΙΣΜΟΣ



### **ΚΙΝΔΥΝΟΣ! Πρόκληση σωματικής βλάβης!**

Κίνδυνος τραυματισμού σε περίπτωση τυχαίας εκκίνησης του προϊόντος.

→ Αποσυνδέετε το προϊόν από την τροφοδοσία ρεύματος προτού το συνδέσετε, το ρυθμίσετε ή το μεταφέρετε.

### **Άντληση νερού:**

Εάν δεν μπορείτε να βυθίσετε την αντλία με τη λαβή στον ταμιευτήρα νερού, πρέπει να βυθίζετε την αντλία πάντα μέσω ενός σχοινού στο πηγάδι ή/και στον ταμιευτήρα νερού. Ελάχιστο βάθος βύθισης πριν από την χρήση βλέπε 7. ΤΕΧΝΙΚΑ ΧΑΡΑΚΤΗΡΙΣΤΙΚΑ.

Η αντλία πρέπει να τοποθετείται έτσι, ώστε τα ανοίγματα εισαγωγής στη βάση αναρρόφησης να μην μπλοκάρονται τελείως ή εν μέρει από ρύπους.

Σε τεχνητές λίμνες, η αντλία θα πρέπει π.χ. να τοποθετείται πάνω σε ένα τούβλο.

- Βυθίστε την αντλία στον ταμιευτήρα νερού.
- Συνδέστε την αντλία με την τροφοδοσία ρεύματος.  
*Προσοχή! Η αντλία εκκινείται άμεσα.*

### **Αυτόματη λειτουργία με διακόπτη με πλωτήρα [Εικ. O1]:**

Για να απενεργοποιηθεί η αντλία αυτόματα σε περίπτωση που δεν μένει άλλο νερό για άντληση, ο διακόπτης με πλωτήρα ③ πρέπει να κινείται ελεύθερα στην επιφάνεια του νερού.

### **Ρύθμιση του ύψους ανοίγματος και κλεισίματος της αντλίας [Εικ. O1]:**

Το μέγιστο ύψος ενεργοποίησης και το ελάχιστο ύψος απενεργοποίησης (βλέπε 7. ΤΕΧΝΙΚΑ ΧΑΡΑΚΤΗΡΙΣΤΙΚΑ) μπορούν να προσαρμοστούν, ενώ το καλώδιο του διακόπτη με πλωτήρα πιέζεται μέσα στην ασφάλιση διακόπτη με πλωτήρα.

- Όσο μικρότερο είναι το μήκος του καλωδίου μεταξύ του διακόπτη με πλωτήρα ③ και της ασφάλειας του διακόπτη με πλωτήρα ④, τόσο χαμηλότερο θα είναι το ύψος ενεργοποίησης και τόσο υψηλότερο θα είναι το ύψος απενεργοποίησης.

→ Πιέστε το καλώδιο του διακόπτη με πλωτήρα ③ στο άνοιγμα της ασφάλειας του διακόπτη με πλωτήρα ④.





### ΠΡΟΣΟΧΗ!

Για να διασφαλίζεται η ενεργοποίηση και η απενεργοποίηση του διακόπτη με πλωτήρα, το μήκος καλωδίου μεταξύ διακόπτη με πλωτήρα και ασφάλισης διακόπτη με πλωτήρα πρέπει να είναι τουλάχιστον 10 cm.

#### Χειροκίνητη λειτουργία [Εικ. 02]:

Η αντλία είναι συνεχώς σε λειτουργία, επειδή παρακάμπτεται ο διακόπτης με πλωτήρα.

1. Ωθήστε τον διακόπτη με πλωτήρα ③ με το καλώδιο προς τα κάτω επάνω στην ασφάλεια του διακόπτη με πλωτήρα ④.
2. Τοποθετήστε την αντλία με ευστάθεια μέσα στο νερό.
3. Συνδέστε την αντλία με την τροφοδοσία ρεύματος.  
*Προσοχή! Η αντλία εκκινείται άμεσα.*

Το ελάχ. ύψος υπολειμματικού νερού (βλ. 7. ΤΕΧΝΙΚΑ ΧΑΡΑΚΤΗΡΙΣΤΙΚΑ) εξασφαλίζεται μόνο σε χειροκίνητη λειτουργία, επειδή ο διακόπτης με πλωτήρα απενεργοποιεί πρόωρα την αντλία στην αυτόματη λειτουργία.

## 4. ΣΥΝΤΗΡΗΣΗ



### ΚΙΝΔΥΝΟΣ! Πρόκληση σωματικής βλάβης!

Κίνδυνος τραυματισμού σε περίπτωση τυχαίας εκκίνησης του προϊόντος.

→ Αποσυνδέστε το προϊόν από την τροφοδοσία ρεύματος προτού το συντηρήσετε.

#### Πλύση της αντλίας:

Μετά την άντληση χλωριωμένου νερού πρέπει να πλυθεί η αντλία.

1. Αντλήστε χλιαρό νερό (το πολύ 35 °C) προσθέτοντας κατά περίπτωση ένα ήπιο απορρυπαντικό (π.χ., απορρυπαντικό πιάτων) μέχρι τη στιγμή που το αντλούμενο νερό θα είναι διαυγές.
2. Απορρίψτε τα κατάλοιπα σύμφωνα με τις οδηγίες του νόμου για τη διάθεση αποβλήτων.

## 5. ΑΠΟΘΗΚΕΥΣΗ

#### Θέση εκτός λειτουργίας:

Η αντλία δεν διαθέτει προστασία από παγετό!

Το προϊόν πρέπει να φυλάσσεται σε μέρος στο οποίο δεν έχουν πρόσβαση παιδιά.

1. Αποσυνδέστε την αντλία από την τροφοδοσία ρεύματος.
2. Αναποδογυρίστε την αντλία μέχρι να σταματήσει να εξέρχεται νερό.
3. Καθαρίστε την αντλία (βλ. 4. ΣΥΝΤΗΡΗΣΗ).
4. Φυλάξτε την αντλία σε στεγνό, κλειστό και ασφαλή από τον παγετό χώρο.

#### Απόρριψη του προϊόντος:

(σύμφωνα με την οδηγία 2012/19/ΕΕ)



Το προϊόν δεν επιτρέπεται να απορρίπτεται στα κοινά οικιακά απορρίμματα. Πρέπει να απορρίπτεται σύμφωνα με τους ισχύοντες τοπικούς κανονισμούς προστασίας του περιβάλλοντος.

#### ΣΗΜΑΝΤΙΚΟ!

→ Διαθέστε το προϊόν μέσω της υπηρεσίας ανακύκλωσης της περιοχής σας.

## 6. ΑΝΤΙΜΕΤΩΠΙΣΗ ΣΦΑΛΜΑΤΩΝ



### ΚΙΝΔΥΝΟΣ! Πρόκληση σωματικής βλάβης!

Κίνδυνος τραυματισμού σε περίπτωση τυχαίας εκκίνησης του προϊόντος.

→ Αποσυνδέστε το προϊόν από την τροφοδοσία ρεύματος προτού αντιμετωπίσετε φάλαμάτά του.

#### Καθαρισμός βάσης αναρρόφησης και φτερωτής [Εικ. T1]:

1. Ξεβιδώστε τις 4 σταυρόβιδες ④.

2. Αποσυνδέστε τη βάση αναρρόφησης ⑤ από την αντλία.
3. Καθαρίστε τη βάση αναρρόφησης ⑤ και τη φτερωτή ⑥ (με αυτές τις εργασίες συντήρησης δεν ακυρώνεται η εγγύηση).
4. Τοποθετήστε ξανά τη βάση αναρρόφησης ⑤.
5. Βιδώστε ξανά τις 4 σταυρόβιδες ④.

**Εάν η φτερωτή έχει υποστεί ζημιά, επιτρέπεται να αντικαθίσταται για λόγους ασφαλείας μόνο από το σέρβις της GARDENA.**



Πρόβλημα	Αιτία	Αντιμετώπιση
<b>Η αντλία λειτουργεί, αλλά δεν τροφοδοτεί νερό</b>	Ο αέρας δεν μπορεί να φύγει, επειδή οι αγωγοί πίεσης είναι κλειστοί (τυχόν τσακισμένοι σωλήνας πίεσης).	→ Ανοίξτε το σωλήνα πίεσης. (π.χ., βαλβίδα απομόνωσης, συσκευές παροχής).
	Στρώμα αέρα στην απορροφητική βάση.	→ Περιμένετε περίπου 60 δευτερόλεπτα μέχρι να εξαερωθεί αυτόματα η αντλία (κατά περίπτωση απενεργοποιήστε/ενεργοποιήστε την).
	Το στόμιο αναρρόφησης είναι βουλωμένο.	→ Καθαρίστε το στόμιο αναρρόφησης με δέσμη νερού.
	Το λάστιχο είναι βουλωμένο.	→ Αφαιρέστε την έμφραξη στο λάστιχο.
	Η φτερωτή έχει μπλοκάρει.	→ Καθαρίστε τη βάση αναρρόφησης και τη φτερωτή.
	Κατά τη θέση σε λειτουργία η στάθμη του νερού βρίσκεται κάτω από τη ελάχιστη στάθμη του νερού.	→ Εμβαπίστε την αντλία σε μεγαλύτερο βάθος.
<b>Η αντλία δεν παίρνει μπροστά ή σταματάει κατά τη διάρκεια της λειτουργίας</b>	Ο θερμοστατικός διακόπτης απενεργοποίησε την αντλία λόγω υπερθέρμανσης.	→ Καθαρίστε το στόμιο αναρρόφησης. Λάβετε υπόψη τη μέγιστη θερμοκρασία μέσου (35 °C).
	Αντλία χωρίς ρεύμα.	→ Ελέγξτε τις ασφάλειες και τα ηλεκτρικά βύσματα σύνδεσης.
	Ο διακόπτης RCD ενεργοποιήθηκε (ρεύμα διαρροής).	→ Αποσυνδέστε την αντλία από την τροφοδοσία ρεύματος και απευθυνθείτε στο Σέρβις της GARDENA.
<b>Η αντλία λειτουργεί, αλλά μειώνεται απότομα η απόδοσή της</b>	Το στόμιο αναρρόφησης είναι βουλωμένο.	→ Καθαρίστε το στόμιο αναρρόφησης με δέσμη νερού.
	Το λάστιχο είναι βουλωμένο.	→ Αφαιρέστε την έμφραξη στο λάστιχο.



**ΥΠΟΔΕΙΞΗ:** Για άλλες βλάβες απευθυνθείτε στο κέντρο σέρβις της εταιρείας GARDENA. Επισκευές επιτρέπεται να εκτελούνται μόνο από τα κέντρα σέρβις της εταιρείας GARDENA καθώς και από εξειδικευμένους αντιπροσώπους εξουσιοδοτημένους από την εταιρεία GARDENA.

## 7. ΤΕΧΝΙΚΑ ΧΑΡΑΚΤΗΡΙΣΤΙΚΑ

Υποβρύχια αντλία	Μονάδα	Τιμή (Κωδ. 9000)	Τιμή (Κωδ. 9001)	Τιμή (Κωδ. 9007)	Τιμή (Κωδ. 9008)
Ισχύς δικτύου	W	250	400	250	400
Τάση δικτύου	V (AC)	230	230	230	230
Συχνότητα δικτύου	Hz	50	50	50	50
Μέγ. ικανότητα άντλησης	l/h	8200	8600	9200	10.500
Μέγ. πίεση/μεγ. ύψος άντλησης	bar / m	0,5 / 5,0	0,55 / 5,5	0,4 / 4,0	0,5 / 5,0
Μέγ. βάθος βύθισης	m	6	6	6	6
Ελάχ./μέγ. ύψος ενεργοποίησης	cm	23 / 50	23 / 50	26 / 45	26 / 45
Ελάχ./μέγ. ύψος απενεργοποίησης	cm	7 / 20	7 / 20	11 / 16	11 / 16

Υποβρύχια αντλία	Μονάδα	Τιμή (Κωδ. 9000)	Τιμή (Κωδ. 9001)	Τιμή (Κωδ. 9007)	Τιμή (Κωδ. 9008)
Ύψος υπολειμματικού νερού	mm	4	4	25	25
Λύματα με μέγ. διάμετρο σωματιδίων	mm	5	5	25	25
Ελάχιστη στάθμη νερού κατά τη θέση σε λειτουργία (περ.)	cm	25	25	50	50
Καλώδιο σύνδεσης	m	10 (H05RN-F)	10 (H05RN-F)	10 (H05RN-F)	10 (H05RN-F)
Βάρος χωρίς καλώδιο (περ.)	kg	2,55	2,85	2,55	2,9
Μέγ. θερμοκρασία αντλούμενου νερού	°C	35	35	35	35

## 8. ΕΞΑΡΤΗΜΑΤΑ/ΑΝΤΑΛΛΑΚΤΙΚΑ

<b>GARDENA Σφιγκτήρας λάστιχου</b>	Για λάστιχο 25 mm (1") με το ρακόρ σύνδεσης.	<b>Κωδ. 7193</b>
<b>GARDENA Σφιγκτήρας λάστιχου</b>	Για λάστιχο 38 mm (1 1/2") με το ρακόρ σύνδεσης.	<b>Κωδ. 7195</b>
<b>GARDENA Σετ σύνδεσης αντλίας</b>	Για λάστιχο 19 mm (3/4") με το σύστημα συνδέσμων GARDENA.	<b>Κωδ. 1752</b>
<b>GARDENA Σετ πλακέ λάστιχου</b>	Λάστιχο 10 m 38 mm (1 1/2") με κολιέ λάστιχου.	<b>Κωδ. 5005</b>

## 9. ΣΕΡΒΙΣ

Μπορείτε να βρείτε τα τρέχοντα στοιχεία επικοινωνίας για το τμήμα σέρβις στη διεύθυνση:

[www.gardena.com/contact](http://www.gardena.com/contact)

# GARDENA Potopna črpalka za čisto vodo / Potopna črpalka za umazano vodo

1. VARNOSTNI NAPOTKI . . . . .	43
2. MONTAŽA . . . . .	44
3. UPORABA . . . . .	45
4. VZDRŽEVANJE . . . . .	45
5. SHRANJEVANJE . . . . .	46
6. ODPRAVLJANJE NAPAK . . . . .	46
7. TEHNIČNI PODATKI . . . . .	47
8. PRIBOR/NADOMESTNI DELI . . . . .	47
9. SERVISNA SLUŽBA . . . . .	47

## Prevod izvirmih navodil.



Otroci od 8 let starosti naprej ter osebe z omejenimi fizičnimi, zaznavnimi ali duševnimi sposobnostmi ali s pomanjkljivimi izkušnjami ter znanjem ta izdelek smejo uporabljati le, če jih pri tem nekdo nadzoruje ali so dobili navodila o varni uporabi izdelka in razumejo nevarnosti, ki izhajajo iz njene uporabe. Otroci se ne smejo igrati z izdelkom. Otroci ne smejo izvajati čiščenja in vzdrževanja v obsegu za uporabnike, če pri tem niso pod nadzorom. Uporabo izdelka priporočamo šele pri mladostnikih od starosti 16 let naprej. Izdelka nikakor ne upo-

rabljajte, če ste utrujeni ali bolni ali pod vplivom alkohola, drog ter zdravil.

## Predvidena uporaba:

**GARDENA Potopna črpalka** je predvidena za odstranjevanje vode pri poplavih, pa tudi za prečrpavanje in praznjenje posode, za odvzem vode iz vodnjakov in jaškov, za odstranjevanje vode iz čolnov in jaht, za časovno omejeno prezračevanje in obtok vode ter za črpanje klorirane vode na zasebnem hišnem vrtu in vrtu za prosti čas.

## Tekočine za črpanje:

Z GARDENA potopno črpalko je dovoljeno črpati le vodo. Črpalke so vodotesne in jih lahko popolnoma potopite v vodo (za maks. potopno globino glejte pod 7. TEHNIČNI PODATKI).

Izdelek je primeren za črpanje naslednjih tekočin:

- **Potopna črpalka za čisto vodo:** čisto do rahlo umazane vode z maks. premerom zrn 5 mm.
- **Potopna črpalka za umazano vodo:** umazane vode z maks. premerom zrn 25 mm.

Izdelek ni primeren za dolgotrajno delovanje (trajno obtočno delovanje).



## NEVARNOST! Telesne poškodbe!

→ Z njo ni dovoljeno črpati slane vode, jedkih, lahko vnetljivih ali eksplozivnih snovi (npr. bencina, petroleja, nitroražredčila), olja, kurilnega olja ali živil.

## 1. VARNOSTNI NAPOTKI

### POMEMBNO!

Skrbno preberite navodila za uporabo in jih shranite za poznejše branje.

### Simboli na izdelku:



Preberite navodila za uporabo.

### Splošni varnostni napotki

#### Električna varnost



**NEVARNOST! Električni udar!**  
Nevarnost telesnih poškodb zaradi električnega toka.

→ Napajanje izdelka z električnim tokom mora potekati s pomočjo FI-stikala (RCD) z nazivnim diferenčnim tokom največ 30 mA.



### NEVARNOST! Nevarnost poškodb!

Nevarnost telesnih poškodb zaradi električnega toka.

→ Ločite izdelek od omrežja, preden ga začnete vzdrževati ali menjavati dele. Pri tem mora biti vtičnica v vašem vidnem območju.

#### Varen način delovanja

Temperatura vode ne sme preseči 35 °C.

Črpalke ni dovoljeno uporabljati, če so v vodi osebe.

Zaradi izstopanja maziv bi lahko prišlo do onesaženja tekočine.

Tretje osebe naj se vodi ne približujejo.

Črpalko uporabljajte samo s kolonom.

## Zaščitno stikalo

### Termično zaščitno stikalo:

V primeru preobremenitve vgrajena termična zaščita motorja črpalko izklopi. Ko se motor dovolj ohladi, je črpalka znova pripravljena za delovanje.

### Samodejno prezračevanje

Ta črpalka je opremljena s prezračevalnim ventilom, ki odpravi morebiti prisoten zrak v črpalki. Zaradi te funkcije lahko ob strani na ohišju izteče majhna količina vode.

### Dodatni varnostni napotki

#### Električna varnost



#### **NEVARNOST! Zaustavitev delovanja srca!**

Ta izdelek med delovanjem povzroči nastanek elektromagnetnega polja. To polje lahko pod določenimi pogoji učinkuje na delovanje aktivnih ali pasivnih medicinskih vsadkov. Da je izključena nevarnost v primerih, ki bi lahko privedli do težkih ali smrtnih telesnih poškodb, naj se osebe z medicinskim vsadkom pred uporabo tega izdelka posvetujejo s svojim zdravnikom in proizvajalcem vsadka.

#### Kabli

Pri uporabi podaljševalnih kablov morajo ti imeti najmanjši presek, naveden v naslednji tabeli:

Napetost	Dolžina kabla	Presek
230 – 240 V/50 Hz	do 20 m	1,5 mm <sup>2</sup>
230 – 240 V/50 Hz	20 – 50 m	2,5 mm <sup>2</sup>



#### **NEVARNOST! Električni udar!**

Skrozi odrezani omrežni vtiči lahko preko omrežnega kabla v električno območje predre vlaga in izzove kratek stik.

- Omrežnega vtiča v nobenem primeru ne odrežite (npr. za sprejemanje skozi steno).
- Ne vlecite vtiča iz vtičnice za kabel, ampak primite za njegovo ohišje.
- Da bi preprečili nevarnosti, mora poškodovan napajalni kabel te naprave zamenjati proizvajalec ali njegova servisna služba ali podobno usposobljena oseba.

Podaljšek in vtičnica morajo biti zaščiteni pred vodo.

Poskrbite da bodo električni priključki varni pred vodo.

Varujte priključni kabel pred vročino, oljem in ostrimi robovi. Upoštevajte priključno napetost. Podatki na tipski ploščici se morajo ujemati s podatki električnega omrežja.

Pri zadrževanju v plavalnem bazenu ali pri dotiku vodne gladine mora biti omrežni vtič črpalke obvezno izvlečen.

Priključnega kabla ne smete uporabljati za pritrditev ali prenašanje črpalke.

Za potopitev oz. izvlek in zavarovanje črpalke je treba uporabiti pritrdilno vrv.

Redno preverjajte priključeno električno napeljavo.

Pred uporabo črpalke (posebno še priključni kabel in vtič) vedno temeljito preglejte zaradi morebitnih poškodb.

Poškodovane črpalke ne smete uporabljati. V primeru poškodbe mora črpalko pregledati GARDENA servis ali pooblaščen električar.

Navodilo za montažo: Vse vijake znova trdno ročno zategnite.

Pred uporabo po vzdrževanju preverite, ali so vsi deli priviti.

Pri uporabi naših črpalk z generatorjem je treba upoštevati opozorila proizvajalca generatorjev.

#### Osebnostna varnost



#### **NEVARNOST! Nevarnost zadušitve!**

Manjše dele je mogoče preprosto pogoltniti. Zaradi plastičnih vrečk obstaja nevarnost zadušitve majhnih otrok. Majhni otroci naj se vam med sestavljanjem ne približujejo.

Upoštevajte najmanjšo možno gladino vode v skladu s podatki o črpalki.

Črpalka ne sme obratovati več kot 10 minut, če je tlačna stran zaprta.

Pesek in druge abrazivne snovi privedejo do hitrejšee obrabe in zmanjšanja moči črpalke.

Plovno stikalo je dovoljeno upravljati samo izven vode.

Med delovanjem ni dovoljeno odstraniti gibke cevi.

Preden začnete odpravljati napake, črpalko pustite, da se ohladi.

Črpalke ni dovoljeno uporabljati brez nameščenega kolena.

## 2. MONTAŽA



#### **NEVARNOST! Telesne poškodbe!**

Nevarnost telesnih poškodb, če bi se izdelek nenamerno zagnal.

- Preden začnete izdelek nameščati, ga ločite od oskrbe z električnim tokom.

#### **Privijanje kolena v črpalko [slika A1]:**



#### **NEVARNOST! Telesne poškodbe!**

Poškodba zaradi ureza z rotorjem.

- Črpalko uporabljajte samo s kolonom.

→ Privijte koleno ① na črpalko v smeri urnega kazalca.

Gibko cev lahko priključite s priključkom črpalke ① in priključnim nastavkom ② [25 mm (1") in 38 mm (1 1/2")] ali z GARDENA vtičnim sistemom [13 mm (1/2")/16 mm (5/8")/19 mm (3/4")]. Pri uporabi gibke cevi s 38 mm (1 1/2") ima črpalka največjo zmogljivost črpanja.

### Priključevanje cevi preko nastavka [slika A2/A3/A4]:

Preko nastavka ② lahko priključite 25 mm (1")- in 38 mm (1 1/2")-cevi.

Premer cevi	25 mm (1")	38 mm (1 1/2")
<b>GARDENA Cevna objemka</b>	<b>art.-št. 7193</b>	<b>art.-št. 7195</b>
<b>Cevna povezava</b> [slika A2]	Nastavka ne ločujte [slika A3].	Nastavek ločite pri ① [slika A4].

25 mm (1")- in 38 mm (1 1/2")-cevi, ki se priključujejo preko nastavka ②, se morajo pritrditi npr. z **GARDENA cevno objemko art.-št. 7193/7195**.

- Privijte koleno na črpalko v smeri urnega kazalca.
- Privijte priključni nastavek ② na priključek črpalke ①.  
(Pri gibkih ceveh premera 38 mm (1 1/2") predtem ločite priključni nastavek ② v utoru pri ①).

- Potisnite gibko cev na priključni nastavek ② in jo pritrdite npr. z **GARDENA cevno objemko art.-št. 7193/7195**.

### Priključitev cevi preko GARDENA vtičnega sistema [slika A5]:

Priporočamo, da ne uporabite manjšega premera gibke cevi kot 19 mm (3/4"), ker sicer pride do zmanjšane zmogljivosti pri količini črpanja.

Premer cevi	Priključek črpalke	
<b>19 mm (3/4")</b>	<b>Komplet GARDENA priključkov črpalke</b>	<b>art.-št. 1752</b>

→ Priključite gibko cev z ustreznim GARDENA vtičnim sistemom.

## 3. UPORABA



**NEVARNOST! Telesne poškodbe!**  
Nevarnost telesnih poškodb, če bi se izdelek nenamerno zagnal.

→ Preden izdelek začnete priključevati, nastavljati ali transportirati, ga ločite od oskrbe z električnim tokom.

### Črpanje vode:

Če črpalke ni mogoče s pomočjo ročaja potopiti v vodni rezervoar, je črpalko vedno treba v vodnjak oz. vodni rezervoar potopiti s pomočjo vrvi. Za najmanjšo globino potopitve pri zagonu glejte v 7. TEHNIČNI PODATKI.

Črpalko je treba postaviti tako, da umazanija vstopnih odprtín na sesalnem podstavku ne zablokira in celoti ali deloma.

V ribniku je npr. črpalko treba postaviti na opeko.

- Potopite črpalko v vodni rezervoar.
- Priključite črpalko na oskrbo z električnim tokom.  
*Pozor! Črpalka se takoj zažene.*

### Samodejno delovanje s plovnim stikalom [slika O1]:

Da bi se črpalka pri pomanjkanju vode lahko avtomatsko izključila, mora plavajoče stikalo ③ neovirano plavati na površini vode.

### Nastavljanje vklopne in izklopne višine [slika O1]:

Maksimalno vklopno višino in minimalno izklopno (višino 7. TEHNIČNI PODATKI) je mogoče prilagoditi, tako da

kabel stikala na plavač potisnete v aretirni mehanizem stikala na plavač.

- Čim krajši je kabel med plovnim stikalom ③ in aretirno zaporo plovnega stikala ④, tem nižja je višina vklopa in tem višja je višina izklopa.

→ Potisnite kabel plovnega stikala ④ v odprtno aretirne zapore plovnega stikala ④.



### POZOR!

Da je zagotovljen vklop in izklop stikala na plavač, mora dolžina kabla med stikalom na plavač in aretirnim mehanizmom stikala na plavač znašati najm. 10 cm.

### Ročno delovanje [slika O2]:

Črpalka deluje neprekinjeno, ker se plovno stikalo premesti.

- Potisnite plovno stikalo ③ s kablom navzdol na aretirno zaporo plovnega stikala ④.
- Črpalko stabilno postavite v vodi.
- Priključite črpalko na oskrbo z električnim tokom.  
*Pozor! Črpalka se takoj zažene.*

Minimalna gladina preostale vode (glejte pod 7. TEHNIČNI PODATKI) se doseže le v ročnem delovanju, ker plovno stikalo v samodejnem delovanju črpalko že predčasno izklopi.

## 4. VZDRŽEVANJE



**NEVARNOST! Telesne poškodbe!**  
Nevarnost telesnih poškodb, če bi se izdelek nenamerno zagnal.

→ Preden začnete izdelek vzdrževati, ga ločite od oskrbe z električnim tokom.

### Izpiranje črpalke:

Po črpanju klorirane vode je treba črpalko izprati.

- Črpalke mlačno vodo (maks. 35 °C), po potrebi z dodatkom blagega čistilnega sredstva (npr. sredstva za pomivanje), dokler črpana voda ni jasna.
- Ostanke odstranite v skladu s predpisi zakona o odstranjevanju odpadkov.

## 5. SHRANJEVANJE

### Konec uporabe:

**Črpalčka ni zavarovana pred zmrzaljo!**

**Izdelek mora biti shranjen zunaj dosega otrok.**

1. Ločite črpalčko od oskrbe z električnim tokom.
2. Obrnite črpalčko na glavo, dokler voda ne izteka več.
3. Očistite črpalčko (glejte pod 4. VZDRŽEVANJE).
4. Shranite črpalčko na suhem, zaprtem mestu brez nevarnosti zmrzali.

### Odlaganje izdelka:

(v skladu z Dir. 2012/19/EU)



Izdelka ne smete odstraniti v običajne gospodinjne odpadke. Odstraniti ga je treba v skladu z veljavnimi lokalnimi predpisi o varstvu okolja.

### POMEMBNO!

→ Izdelek odstranite pri svojem krajevnem zbirališču odpadkov za recikliranje.

## 6. ODPRAVLJANJE NAPAK



**NEVARNOST! Telesne poškodbe!**

**Nevarnost telesnih poškodb, če bi se izdelek nenamerno zagnal.**

→ Ločite izdelek od oskrbe z električnim tokom, preden začnete odpravljati napake izdelka.

### Čiščenje sesalnega podstavka in rotorja [slika T1]:

1. Odvijte 4 križne vijake ④.
2. Povlecite sesalni podstavek ⑤ s črpalke.
3. Očistite sesalni podstavek ⑤ in rotor ⑥ (zaradi teh vzdrževalnih del garancija ne preneha veljati).
4. Znova namestite sesalni podstavek ⑤.
5. Znova privijte 4 križne vijake ④.

**Poškodovani rotor sme iz varnostnih razlogov zamenjati samo GARDENA servis.**

Težava	Mogoč vzrok	Pomoč
<b>Črpalčka teče, vendar ne črpa vode</b>	Zrak ne more uhajati, ker je tlačni vod zaprt. (Npr. prepognjeni tlačna cev).	→ Odprite tlačno napeljavo. (Npr. zaporni ventil, naprave za iztok).
	Zračna blazina v črpalni nogi.	→ Počakajte pribl. 60 sekund, da se črpalčka samodejno prezračí (po potrebi jo vklopite/ izklopite).
	Sesalna odprtina je zamašena.	→ Očistite sesalno odprtino s curkom vode.
	Gibka cev je zamašena.	→ Odpravite zamašenosť gibke cevi.
	Rotor je blokiran.	→ Očistite sesalni podstavek in rotor.
	Nivo vode je pri zagonu pod minimumom.	→ Črpalčko potopite globlje v vodo.
<b>Črpalčka ne steče ali pa se med obratovanjem nenadoma ustavi</b>	Termično zaščitno stikalo je črpalčko izklopilo zaradi pregretja.	→ Očistite sesalno odprtino. Upoštevajte maksimalno temperaturo medijev (35 °C).
	Črpalčka je brez toka.	→ Preverite varovalke in električne vtične povezave.
	Sprožilo se je zaščitno stikalo na diferenčni tok (okvarni tok).	→ Ločite črpalčko od vira oskrbe z električnim tokom in se obrnite na GARDENA servisno službo.
<b>Črpalčka obratuje, a moč črpanja nenadoma pade</b>	Sesalna odprtina je zamašena.	→ Očistite sesalno odprtino s curkom vode.
	Gibka cev je zamašena.	→ Odpravite zamašenosť gibke cevi.



**NAPOTEK: V primeru drugih napak se obrnite na svoje GARDENA servisno središče. Popravila smejo izvajati samo GARDENA servisna središča ter specializirani trgovci, pooblašeni od podjetja GARDENA.**

## 7. TEHNIČNI PODATKI

Potopna črpalka	Enota	Vrednost (art.-št. 9000)	Vrednost (art.-št. 9001)	Vrednost (art.-št. 9007)	Vrednost (art.-št. 9008)
Nazivna moč	W	250	400	250	400
Omrežna napetost	V (AC)	230	230	230	230
Omrežna frekvenca	Hz	50	50	50	50
Maks. količina črpanja	l/h	8200	8600	9200	10.500
Maks. tlak/ maks. višina črpanja	bar / m	0,5 5,0	0,55 5,5	0,4 4,0	0,5 5,0
Maks. potopna globina	m	6	6	6	6
Min./maks. vklopna višina	cm	23 / 50	23 / 50	26 / 45	26 / 45
Min./maks. izklopna višina	cm	7 / 20	7 / 20	11 / 16	11 / 16
Gladina preostale vode	mm	4	4	25	25
Umazana voda z maks. premerom zrn	mm	5	5	25	25
Najnižji nivo vode pri zagonu (pribl.)	cm	25	25	50	50
Priključni kabel	m	10 (H05RN-F)	10 (H05RN-F)	10 (H05RN-F)	10 (H05RN-F)
Teža brez kabla (pribl.)	kg	2,55	2,85	2,55	2,9
Maks. temperatura medija	°C	35	35	35	35

13

## 8. PRIBOR/NADOMESTNI DELI

GARDENA Cevna objemka	Za 25 mm (1")-cevi preko priključnega nastavka.	<b>art.-št. 7193</b>
GARDENA Cevna objemka	Za 38 mm (1 1/2")-cevi preko priključnega nastavka.	<b>art.-št. 7195</b>
GARDENA Komplet priključkov črpalke	Za 19 mm (3/4")-cevi preko GARDENA vtičnega sistema.	<b>art.-št. 1752</b>
GARDENA Komplet ploščate cevi	Gibka cev z 10 m, 38 mm (1 1/2") s cevno objemko.	<b>art.-št. 5005</b>

## 9. SERVISNA SLUŽBA

Trenutne kontaktne informacije za naš servisni oddelek so na voljo na spletni strani:

[www.gardena.com/contact](http://www.gardena.com/contact)

# GARDENA Uronska pumpa za čistu vodu / Uronska pumpa za prljavu vodu

1. SIGURNOSNE NAPOMENE	48
2. MONTAŽA	49
3. RUKOVANJE	50
4. ODRŽAVANJE	51
5. SKLADIŠTENJE	51
6. OTKLANJANJE SMETNJI	51
7. TEHNIČKI PODACI	52
8. PRIBOR/REZERVNI DIJELOVI	52
9. SERVIS	52

## Prijevod originalnih uputa.



Djeca starija od 8 godina, osobe sa smanjenim tjelesnim, osjetilnim ili mentalnim sposobnostima kao i one s nedostatnim iskustvom i znanjem smiju rukovati ovim proizvodom samo uz nadzor ili nakon upućivanja u njegovu sigurnu uporabu i možebitne povezane opasnosti. Djeca se ne smiju igrati proizvodom. Djeca ne smiju čistiti i održavati uređaj bez nadzora. Djeci mlađoj od 16 godina ne preporučujemo rad s proizvodom. Nikada ne upotrebljavajte proizvod ako ste umorni, bolesni ili pod utjecajem alkohola, droge ili lijekova.

## Namjenska uporaba:

GARDENA Uronska pumpa predviđena je za odvodnjavanje u slučaju poplava, ali i za prepumpavanje i ispumpavanje tekućina iz spremnika, vađenje vode iz bunara i okana te za crpljenje vode iz čamaca i jahti kao i za vremenski ograničenu aeraciju i cirkulaciju vode odnosno pumpanje klorirane vode u privatnim okućnicama i vrtovima.

## Radne tečnosti:

GARDENA uronskom pumpom smije se pumpati samo voda.

Crpka se u potpunosti može poplaviti sa vodom (oklop ne propušta vodu) i uranja se u vodu (za maks. dubinu uranjanja pogledajte odjeljak 7. TEHNIČKI PODACI).

Proizvod je namijenjen za crpljenje sljedećih tekućina:

- **Uronska pumpa za čistu vodu:** čista do lako onečišćena voda granulacije zaprljanja do maks. 5 mm.
- **Uronska pumpa za prljavu vodu:** onečišćena voda granulacije zaprljanja do maks. 25 mm.

Proizvod nije namijenjen za dugotrajan rad (trajni optočni rad).



## OPASNOST!

Opasnost od nanošenja tjelesnih ozljeda!

→ Ne smiju se pumpati slana voda, nagrizajuće, lako zapaljive, agresivne ili eksplozivne tvari (kao npr. benzin, petrolej ili nitro-razrjeđivač), ulja, ulje za loženje kao ni živežne namirnice.

## 1. SIGURNOSNE NAPOMENE

### VAŽNO!

**Pažljivo** pročitate ove upute za uporabu i sačuvajte ih za kasnije.

### Simboli na proizvodu:



Pročitate upute za uporabu.

### Opće sigurnosne napomene

#### Sigurnost pri radu s električnom strujom



**OPASNOST! Strujni udar!**

Opasnost od ozljeda električnom strujom.

→ Proizvod mora da se napaja strujom preko FI sklopke (RCD) s nominalnom okidnom strujom od najviše 30 mA.



**OPASNOST! Opasnost od ozljeda!**

Opasnost od ozljeda električnom strujom.

→ Izvucite strujni utikač proizvoda iz utičnice prije nego što započnete s radovima održavanja ili zamjenom komponenata. Pritom utičnica mora biti u Vašem vidnom polju.

#### Siguran rad

Temperatura vode ne smije preći 35 °C.

Pumpa se ne smije koristiti ako u vodi ima ljudi.

Tekućina se može zaprljati ako mazivo curi.

Udaljite druge osobe od vode.

Pumpa smije raditi samo s postavljenim kutnim priključkom.

#### Zaštitna sklopka

##### Zaštitna termosklopka:

U slučaju preopterećenja pumpu isključuje ugrađena termička zaštitna sklopka motora. Nakon što se motor dovoljno ohladi, pumpa je opet spremna za rad.



### Automatsko odzračivanje

Ova pumpa je opremljena odzračnim ventilom koji služi za ispuštanje eventualnih zračnih uključaka iz pumpe. Stoga iz tehničkih razloga može moći do curenja manje količine vode na bočnoj strani kućišta.

### Dodatne sigurnosne napomene

#### Sigurnost pri radu s električnom strujom



#### **OPASNOST! Zastoj rada srca!**

Ovaj proizvod pri radu stvara elektromagnetno polje. Ono pod određenim okolnostima može utjecati na način rada aktivnih ili pasivnih medicinskih implantata. Kako bi se umanjila opasnost od nastanka situacija u kojima su moguće teške ili smrtonosne ozljede, osobama s medicinskim implantatima preporučujemo da se prije uporabe ovog proizvoda posavjetuju sa svojim liječnikom i proizvođačem implantata.

#### Kabeli

Za minimalne poprečne presjeke produžnih kabela pogledajte sljedeću tablicu:

Napon	Duljina kabela	Poprečni presjek
230 – 240 V/50 Hz	do 20 m	1,5 mm <sup>2</sup>
230 – 240 V/50 Hz	20 – 50 m	2,5 mm <sup>2</sup>



#### **OPASNOST! Strujni udar!**

Kroz prerezanu mrežnu utičnicu u električno područje preko mrežnog kabela može prodrijeti voda i tako prouzrokovati kratki spoj.

→ Mrežni kabel ni u kom slučaju odrezati (npr. provod u zidu).

→ Utičnicu nemojte povlačiti za kabel, već za kućište utikača u utičnici.

→ U slučaju oštećenja strujnog priključnog voda ovog uređaja, istog mora zamijeniti proizvođač, njegova servisna služba ili neka druga osoba odgovarajuće kvalifikacije, kako bi se izbjegle opasnosti.

Mrežni utikač i spojke moraju biti zaštićeni od prskajuće vode.

Osigurajte da su svi električni utični spojevi izvedeni u području sigurnom od potapanja.

Mrežni utikač i priključni mrežni kabel zaštitite od topline, ulja i oštih rubova.

Pazite na mrežni napon. Podaci na natpisnoj pločici moraju biti usklađeni s podacima Vaše mreže za napajanje.

Tijekom boravka u plivačkom bazenu ili prilikom dodirivanja površine vode utikač pumpe mora obavezno biti izvučen.

Mrežni priključni kabel se ne smije koristiti za pričvršćenje ili transportiranje pumpe.

Za uranjanje odnosno izvlačenje i fiksiranje pumpe mora se koristiti pričvršno uže.

Redovno provjerite priključni vod.

Prije uporabe pumpe (posebno to vrijedi za mrežni kabel i mrežni utikač) uvijek provedite očevid.

Oštećenu pumpu ne smijete koristiti. U slučaju oštećenja pumpu obvezno odnesite na ispitivanje u ovlaštenu GARDENA servis.

Upute za montažu: Ponovo ručno pritegnite sve vijke.

Prije korištenja, a nakon izvedenih radova na održavanju, uvjerite se da su svi dijelovi dobro zategnuti.

Ako naše pumpe koristite u kombinaciji s generatorima, morate poštivati upozorenja koja navodi proizvođač generatora.

#### Osobna sigurnost



#### **OPASNOST! Opasnost od gušenja!**

Postoji opasnost od gutanja sitnih dijelova. Prilikom uporabe plastične vreće imajte na umu opasnost od gušenja kod male djece. Tijekom montaže držite malu djecu na dovoljnoj udaljenosti.

Uzmite u obzir minimalnu razinu vode koja mora odgovarati karakteristikama pumpe.

Pumpu ne ostavljajte u pogonu duže od 10 minuta uz zatvorenu tlačnu stranu.

Pijesak i drugi brusni materijali dovode do brzog habanja i smanjenja učinka crpke.

Plutajućom sklopkom smije se rukovati samo izvan vode. Crijevo se ne smije uklanjati tijekom rada.

Prije popravaka pričekajte da se pumpa ohladi.

Pumpa ne smije raditi bez montiranog kutnog priključka.

## 2. MONTAŽA



#### **OPASNOST!**

Opasnost od nanošenja tjelesnih ozljeda!

Postoji opasnost od ozljeda u slučaju nehotičnog pokretanja proizvoda.

→ Prije montaže odvojite proizvod s napajanja.

#### Uvrtnje kutnog priključka u pumpu [sl. A1]:



#### **OPASNOST!**

Opasnost od nanošenja tjelesnih ozljeda!

Opasnost od posjeklina na radnom kolu pumpe.

→ Pumpa smije raditi samo s postavljenim kutnim priključkom.

→ Okretanjem udesno uvijte kutni priključak ① u pumpu.

Crijevo se može priključiti preko priključka pumpe ① i priključnih nazuvica ② [25 mm (1") i 38 mm (1 1/2")] ili preko GARDENA utičnog sustava [13 mm (1/2")/16 mm (5/8")/19 mm (3/4")]. Maksimalna snaga pumpe postiže se sa crijevom od 38 mm (1 1/2").

#### **Crijevo priključiti preko priključnog nastavka [sl. A2/A3/A4]:**

Preko priključnog nastavka ② se mogu priključiti crijeva od 25 mm (1")- i 38 mm (1 1/2").

<b>Promjer crijeva</b>	25 mm (1")	38 mm (1 1/2")
<b>GARDENA Obujmica za crijevo</b>	<b>br. art. 7193</b>	<b>br. art. 7195</b>
<b>Spoj crijeva [sl. A2]</b>	Ne razdvajati nastavak [sl. A3].	Nastavak razdvojiti kod ⑤ [sl. A4].

Crijeva od 25 mm (1") i 38 mm (1 1/2"), koja se priključuju preko priključnog nastavka ②, se moraju pričvrstiti primjerice sa **GARDENA obujmicom za crijevo br. art. 7193/7195**.

1. Okretanjem udesno uvijte kutni priključak u pumpu.
2. Navijte priključnu nazuvicu ② na priključak pumpe ①. (Kod crijeva od 38 mm (1 1/2") prethodno odvojite priključnu nazuvicu ② u utoru na mjestu ⑥).
3. Natakните crijevo na priključnu nazuvicu ② i pričvrstite npr. **GARDENA obujmicom crijeva br. art. 7193/7195**.

#### **Crijevo priključiti preko GARDENA utičnog sustava [sl. A5]:**

Preporučujemo vam da ne koristite crijeva čiji je promjer manji od 19 mm (3/4"), jer u suprotnom može doći do smanjenja protočnog učinka.

#### **Promjer crijeva Priključak crpke**

<b>19 mm (3/4")</b>	<b>GARDENA Komplet za priključak crpke</b>	<b>br. art. 1752</b>
---------------------	--	----------------------

→ Priključite crijevo uz pomoć odgovarajućeg GARDENA utičnog sustava.

## 3. RUKOVANJE

hr



#### **OPASNOST!**

**Opasnost od nanošenja tjelesnih ozljeda!**

**Postoji opasnost od ozljeda u slučaju nehotičnog pokretanja proizvoda.**

→ **Prije priključivanja, namještanja i transporta odvojite proizvod s napajanja.**

#### **Pumpanje vode:**

Ako ne možete uroniti pumpu u vodu držeći je za ručku, vežite ju užetom i tako uronite u bunar odnosno spremnik s vodom. Za minimalnu dubinu uranjanja prilikom puštanja u rad pogledajte 7. TEHNIČKI PODACI.

Pumpa se mora postaviti tako da ulazni otvori na vakuumskoj nožici ne budu potpuno niti djelomično zapriječeni prilivštinom.

U jezerima pumpu treba postaviti npr. na opeku.

1. Uronite pumpu u spremnik s vodom.
2. Priključite pumpu na električno napajanje.  
*Pozor! Pumpa smjesta počinje s radom.*

#### **Automatski rad s plutajućom sklopkom [sl. O1]:**

**Da bi se pumpa automatski isključila u slučaju da nestane tekućina, koja se prenosi, plutajuća sklopka ③ se mora slobodno kretati na površini vode.**

#### **Podešavanje razine uključivanja i isključivanja [sl. O1]:**

Utiskivanjem kabla plutajuće sklopke u dio za aretiranje moguće je prilagoditi maksimalnu visinu uključivanja i minimalnu visinu isključivanja (vidi 7. TEHNIČKI PODACI).

- Što je kabel između plutajuće sklopke ③ i njezinog zapora ④ kraći, to je manja visina uključivanja, a veća visina isključivanja.

→ Utisnite kabel plutajuće sklopke ③ u otvor pripadajućeg zapora ④.



#### **POZOR!**

**Kako bi se zajamčilo uključivanje i isključivanje plutajuće sklopke duljina kabla između prekidača i aretiranja mora iznositi najmanje 10 cm.**

#### **Ručni način rada [sl. O2]:**

**Pumpa stalno radi, jer je plutajuća sklopka premošćena.**

1. Gurnite plutajuću sklopku ③ s kabelom prema dolje na zapor plutajuće sklopke ④.
2. Uspravite pumpu u vodi tako da stoji stabilno.
3. Priključite pumpu na električno napajanje.  
*Pozor! Pumpa smjesta počinje s radom.*

Minimalna razina preostale vode (vidi 7. TEHNIČKI PODACI) dostiže se samo u ručnom načinu rada, jer plutajuća sklopka u automatskom načinu rada već prije toga isključuje pumpu.

## 4. ODRŽAVANJE



### OPASNOST!

Opasnost od nanošenja tjelesnih ozljeda!

Postoji opasnost od ozljeda u slučaju nehotičnog pokretanja proizvoda.

→ Prije radova održavanja odvojite proizvod s napajanja.

### Ispiranje pumpe:

Nakon pumpanja klorirane vode pumpa se mora isprati.

1. Pumpajte mlaku vodu (maks. 35 °C), eventualno uz dodatak blagog deterdženta (npr. sredstva za pranje suđa) tako da voda postane čista.
2. Ostatke odložite u otpad u skladu s odredbama mjero-davnog Zakona o zbrinjavanju otpada.

## 5. SKLADIŠTENJE

### Stavljanje izvan funkcije:

Pumpa nije otporna na mraz!

Proizvod morate čuvati izvan domašaja djece.

1. Odvojite pumpu s napajanja.
2. Okrenite pumpu naglavce i držite je tako dok ne iscuri sva voda.
3. Očistite pumpu (vidi 4. ODRŽAVANJE).
4. Pumpu čuvajte na suhom, zatvorenom mjestu zaštićenom od mraza.

### Odlaganje proizvoda:

(prema Direktivi 2012/19/EU)



Nemojte odlagati proizvod u običan komunalni otpad. Morate ga zbrinuti sukladno važećim lokalnim propisima o zaštiti okoliša.

### VAŽNO!

→ Neupotrebljiv proizvod predajte Vašem lokalnom reciklažnom odlagalištu.

## 6. OTKLANJANJE SMETNJI



### OPASNOST!

Opasnost od nanošenja tjelesnih ozljeda!

Postoji opasnost od ozljeda u slučaju nehotičnog pokretanja proizvoda.

→ Prije popravaka odvojite proizvod s napajanja.

### Čišćenje vakuumske nožice i radnog kola [sl. T1]:

1. Odvijte 4 vijka s križnom glavom ④.
2. Svcite vakuumsku nožicu ⑤ s pumpe.
3. Očistite vakuumsko nožicu ⑤ i radno kolo ⑥ (ovim radovima održavanja jamstvo ne gubi valjanost).
4. Ponovo postavite vakumsku nožicu ⑤.
5. Ponovo uvijte 4 vijka s križnom glavom ④.

**Oštećeno radno kolo iz sigurnosnih razloga smije zamijeniti samo GARDENA servis.**

Problem	Mogući uzrok	Pomoć
Pumpa radi, ali ne crpi vodu	Ne izlazi zrak budući da je zatvoren tlačni vod. (Eventualno ispravite presavijeno tlačno crijevo).	→ Otvorite potisno crijevo (npr. zaporni ventil, ispusne uređaje).
	Zračni jastuk u usisnom podnožju.	→ Pričekajte oko 60 sekundi da se pumpa samostalno odzračni (eventualno je više puta isključite i uključite).
	Usisni otvor je začepljen.	→ Očistite usisni otvor mlazom vode.
	Crijevo je začepljeno.	→ Uklonite začepljenje iz crijeva.
	Radno kolo je blokirano.	→ Očistite vakumsku nožicu i radno kolo.
Pri pokretanju pumpe, razina vode je bila ispod minimalne razine.	→ Uronite pumpu dublje.	
Pumpa se ne pokreće ili se tijekom rada neočekivano zaustavlja	Zaštitna termosklopka je zbog pregrijavanja isključila pumpu.	→ Očistite usisni otvor. Uzmite u obzir maksimalnu temperaturu medija (35 °C).

Problem	Mogući uzrok	Pomoć
Pumpa se ne pokreće ili se tijekom rada neočekivano zaustavlja	Pumpa bez struje.	→ Provjerite osigurače i strujne utične spojeve.
	Aktivirala se RCD sklopka (ZUĐS).	→ Odvojite pumpu od napajanja električnom energijom i obratite se servisnoj službi GARDENA.
Pumpa radi, međutim, neočekivano se smanjuje učinkovitosti pumpanja	Usisni otvor je začepljen.	→ Očistite usisni otvor mlazom vode.
	Crijevo je začepljeno.	→ Uklonite začepljenje iz crijeva.



**NAPOMENA:** U slučaju drugih smetnji obratite se servisnom centru tvrtke GARDENA. Popravke prepustite samo stručnjacima servisnih centara tvrtke GARDENA ili specijaliziranim prodavačima koje je za to ovlastila GARDENA.

## 7. TEHNIČKI PODACI

Uronska pumpa	Jedinica	Vrijednost (br. art. 9000)	Vrijednost (br. art. 9001)	Vrijednost (br. art. 9007)	Vrijednost (br. art. 9008)
Nazivna snaga	W	250	400	250	400
Napon mreže	V (AC)	230	230	230	230
Frekvencija mreže	Hz	50	50	50	50
Maks. prijenosna količina	l/h	8200	8600	9200	10.500
Maks. tlak/ maks. visina pumpanja	bar / m	0,5 5,0	0,55 5,5	0,4 4,0	0,5 5,0
Maks. dubina uranjanja	m	6	6	6	6
Min./maks. visina uključivanja	cm	23 / 50	23 / 50	26 / 45	26 / 45
Min./maks. visina isključivanja	cm	7 / 20	7 / 20	11 / 16	11 / 16
Visina preostale vode	mm	4	4	25	25
Onečišćena voda maksimalne granulacije zaprljanja	mm	5	5	25	25
Minimalna razina vode pri uporabi (pribl.)	cm	25	25	50	50
Priključni kabel	m	10 (H05RN-F)	10 (H05RN-F)	10 (H05RN-F)	10 (H05RN-F)
Težina bez kabela (pribl.)	kg	2,55	2,85	2,55	2,9
Maks. temperatura medija	°C	35	35	35	35

## 8. PRIBOR/REZERVNI DIJELOVI

GARDENA Obujmica za crijevo	Za crijeva od 25 mm (1") ili priključni nastavak.	<b>br. art. 7193</b>
GARDENA Obujmica za crijevo	Za crijeva od 38 mm (1 1/2") ili priključni nastavak.	<b>br. art. 7195</b>
GARDENA Komplet za priključak crpke	Za crijeva od 19 mm (3/4") preko GARDENA utičnog sustava.	<b>br. art. 1752</b>
GARDENA Komplet ravnih crijeva	Crijevo od 10 m 38 mm (1 1/2") sa stezaljkom za crijevo.	<b>br. art. 5005</b>

## 9. SERVIS

Trenutačne kontaktne informacije našeg servisnog odjela možete pronaći na mreži:

[www.gardena.com/contact](http://www.gardena.com/contact)

# GARDENA Potopna pumpa za čistu vodu / Potopna pumpa za prljavu vodu

1. BEZBEDNOSNE NAPOMENE	53
2. MONTAŽA	54
3. RUKOVANJE	55
4. ODRŽAVANJE	55
5. SKLADIŠTENJE	56
6. OTKLANJANJE GREŠAKA	56
7. TEHNIČKI PODACI	57
8. PRIBOR/REZERVNI DELOVI	57
9. SERVIS	57

## Namenska upotreba:

**GARDENA Potopna pumpa** predviđena je za odvodnjavanje u slučaju poplava, ali i za prepumpavanje i ispumpavanje tečnosti iz posuda, za vađenje vode iz bunara i šahti, uklanjanje vode iz čamaca i jahti kao i za vremenski ograničenu aeraciju i cirkulaciju vode odnosno pumpanje hlorisane vode u privatnim okućnicama i baštama.

## Radne tečnosti:

GARDENA potopnom pumpom sme se pumpati samo voda.

Pumpa se može u potpunosti prekriti vodom (vodonepropusno oklo-pljena) i uranja se u vodu (za maks. dubinu uranjanja pogledajte 7. TEHNIČKI PODACI).

Proizvod je namenjen za pumpanje sledećih tečnosti:

- **Potopna pumpa za čistu vodu:** čista do lako zaprljana voda granulacije zaprljanja do maks. 5 mm.
- **Potopna pumpa za prljavu vodu:** zaprljana voda granulacije zaprljanja do maks. 25 mm.

Proizvod nije namenjen za dugotrajnu upotrebu (trajni cirkulacioni rad).

## Prevod originalnog uputstva.



Deca starija od 8 godina, osobe sa smanjenim fizičkim, senzornim ili mentalnim sposobnostima kao i one s nedovoljnim iskustvom i znanjem smeju da rukuju ovim proizvodom samo uz nadzor ili nakon upućivanja u njegovu sigurnu upotrebu i eventualne povezane opasnosti. Deca ne smeju da se igraju sa proizvodom. Deca ne smeju da ga čiste i održavaju bez nadzora. Deci mlađoj od 16 godina ne preporučujemo korišćenje proizvoda. Zabranjeno je korišćenje proizvoda ako ste umorni, bolesni ili pod uticajem alkohola, droge ili lekova.



## OPASNOST! Opasnost od telesnih povreda!

→ Ne smeju se pumpati slana voda, nagrizajuće, lako zapaljive, agresivne ili eksplozivne tečnosti (kao npr. benzin, petrolej ili nitro-razređivač), ulja, mazut i prehrambene namirnice.

15

## 1. BEZBEDNOSNE NAPOMENE

### VAŽNO!

**Pažljivo pročitajte ovo uputstvo za upotrebu i sačuvajte ga za kasnije.**

### Simboli na proizvodu:



**Pročitajte uputstvo za rad.**

### Opšte bezbednosne napomene

#### Bezbednost pri radu s električnom strujom



**OPASNOST! Strujni udar!**

**Opasnost od povreda usled strujnog udara.**

→ Proizvod mora da se napaja strujom preko FI sklopke (RCD) sa nominalnom okidnom strujom od najviše 30 mA.



**OPASNOST! Opasnost od povreda!**

**Opasnost od povreda usled strujnog udara.**

→ Proizvod odvojite od strujne mreže pre nego što započnete sa radovima održavanja ili zamenom komponenti. Pri tome utičnica mora da bude u Vašem vidnom polju.

### Siguran rad

Temperatura vode ne sme da pređe 35 °C.

Pumpa ne sme da se koristi ako ima nekoga u vodi.

Tečnost može da se zaprlja ako mazivo curi.

Udaljite druge osobe od vode.

Pumpa sme da radi samo sa postavljenim ugaonim priključkom.

### Zaštitna sklopka

#### Zaštitni termoprekidač:

U slučaju preopterećenja pumpu isključuje ugrađena termička zaštitna sklopka motora. Nakon što se motor dovoljno ohladi, pumpa je ponovo spremna za rad.

### Automatsko ispuštanje vazduha

Ova pumpa je opremljena odušnim ventilom koji služi za ispuštanje eventualnih vazdušnih uključaka iz pumpe. Stoga iz tehničkih razloga može moći do curenja manje količine vode na bočnoj strani kućišta.

### Dodatne bezbednosne napomene

#### Bezbednost pri radu s električnom strujom



#### OPASNOST! Zastoj rada srca!

Oko proizvoda se tokom rada stvara elektromagnetsko polje. Pod određenim okolnostima ono može da utiče na način rada aktivnih ili pasivnih medicinskih implantata. Kako bi se umanjila opasnost od nastanka situacija u kojima su moguće teške ili čak smrtonosne povrede, osobama sa medicinskim implantatima preporučujemo da se pre korišćenja ovog uređaja posavetuju sa svojim lekarom i proizvođačem implantata.

#### Kablovi

Za minimalne poprečne preseke produžnih kablova pogledajte sledeću tabelu:

Napon	Dužina kabela	Poprečni presek
230 – 240 V/50 Hz	do 20 m	1,5 mm <sup>2</sup>
230 – 240 V/50 Hz	20 – 50 m	2,5 mm <sup>2</sup>



#### OPASNOST! Strujni udar!

Ako se odseče utikač, vlaga može preko strujnog kabela prodrati do električnih komponenta i izazvati kratak spoj.

- Utikač nemojte ni u kom slučaju presecati (npr. za povezivanje kroz zid).
- Utikač nemojte vaditi iz utičnice povlačeći ga za kabl, već držeći ga za kućište.
- Zamena oštećenog priključnog strujnog kabela mora se prepustiti proizvođaču, njegovoj servisnoj službi ili nekoj drugoj osobi odgovarajuće kvalifikacije, kako bi se izbegle opasnosti.

Utikači i priključnice moraju biti zaštićeni od prskanja vode.

Uverite se da su električni utični spojevi postavljeni u oblasti zaštićenoj od plavljenja.

Utikače i priključne kablove ne izlažite visokim temperaturama i zaštitite ih od ulja i oštrih ivica.

Imajte u vidu napon električne mreže. Navodi s natpisne pločice moraju se slagati sa podacima strujne mreže.

Tokom boravka u plivačkom bazenu ili prilikom dodirivanja površine vode utikač pumpe mora obavezno biti izvučen.

Priključni strujni kabl se ne sme koristiti za pričvršćivanje ili transport pumpe.

Za uranjanje odnosno izvlačenje i fiksiranje pumpe mora se koristiti pričvršno užje.

Redovno proveravajte priključni kabl.

Pre svakog korišćenja uvek vizuelno proverite stanje pumpe (naročito strujnog kabela i utikača).

Oštećena pumpa se ne sme koristiti. U slučaju oštećenosti prepustite pumpu na kontrolu servisnoj službi preduzeća GARDENA.

Uputstvo za montažu: Ponovo ručno zategnite sve vijke.

Pre korišćenja, a nakon obavljenih radova na održavanju, uverite se da su svi delovi dobro zategnuti.

Ukoliko naše pumpe koristite u kombinaciji sa generatorima, morate da poštuju upozorenja koja navodi proizvođač generatora.

#### Lična bezbednost



#### OPASNOST! Opasnost od gušenja!

Sitniji delovi mogu lako da se progutaju. Postoji opasnost od gušenja male dece plastičnom kesom. Tokom montaže držite malu decu na dovoljnoj udaljenosti.

Imajte u vidu minimalni nivo vode koji mora biti u skladu sa karakteristikama pumpe.

Uređaj se ne sme ostavljati da radi sa zatvorenim potisnom stranom duže od 10 minuta.

Pesak i ostale zrnaste materije prouzrokuju brže habanje i smanjenje učinka pumpe.

Prekidačem sa plovkom sme da se rukuje samo izvan vode. Crevo ne sme da se izvlači tokom rada.

Pre popravki sačekajte da se pumpa ohladi.

Pumpa ne sme da radi bez montiranog ugaonog priključka.

## 2. MONTAŽA



#### OPASNOST! Opasnost od telesnih povreda!

Postoji opasnost od povreda u slučaju nehotičnog pokretanja proizvoda.

- Pre nego što ga montirate, odvojite proizvod sa napajanja.

#### Zavrtnanje ugaonog priključka u pumpu [sl. A1]:



#### OPASNOST! Opasnost od telesnih povreda!

Opasnost od posekotina na radnom kolu pumpe.

- Pumpa sme da radi samo sa postavljenim ugaonim priključkom.

→ Okretanjem udesno zavrtnite ugaoni priključak ① u pumpu.

Crevo se može priključiti preko priključka pumpe ① i priključnih nazuvica ② [25 mm (1") i 38 mm (1 1/2")] ili preko

GARDENA utičnog sistema [13 mm (1/2")/ 16 mm (5/8")/ 19 mm (3/4")]. Snaga pumpe je maksimalna kada se koristi crevo od 38 mm (1 1/2").

#### **Priključivanje creva preko priključne nazuvice [sl. A2/A3/A4]:**

Preko priključne nazuvice ② mogu se priključiti creva od 25 mm (1") i 38 mm (1 1/2").

Prečnik creva	25 mm (1")	38 mm (1 1/2")
<b>GARDENA Obujmica creva</b>	<b>art. 7193</b>	<b>art. 7195</b>
<b>Crevni spoj [sl. A2]</b>	Ne odvajajte nazuvicu [sl. A3].	Odvojite nazuvicu kod ④ [sl. A4].

Creva od 25 mm (1") i 38 mm (1 1/2") koja se priključuju preko nazuvice ②, moraju se pričvrstiti npr. **GARDENA obujmicom art. 7193/7195**.

1. Okretanjem udesno zavrnite ugaoni priključak u pumpu.
2. Navijte priključnu nazuvicu ② na priključak pumpe ①. (Kod creva od 38 mm (1 1/2") prethodno odvojite priključnu nazuvicu ② u oturu na mestu ⑥).
3. Natakните crevo na priključnu nazuvicu ② i pričvrstite npr. **GARDENA šelnom za crevo art. 7193/7195**.

#### **Priključivanje creva preko GARDENA utičnog sistema [sl. A5]:**

Preporučujemo vam da ne koristite creva čiji je prečnik manji od 19 mm (3/4"), jer u suprotnom može doći do smanjenja protočnog učinka.

#### **Prečnik creva Priključak pumpe**

**19 mm (3/4") GARDENA Komplet za priključivanje pumpi art. 1752**

→ Priključite crevo uz pomoć odgovarajućeg GARDENA utičnog sistema.

## 3. RUKOVANJE



**OPASNOST! Opasnost od telesnih povreda!**  
Postoji opasnost od povreda u slučaju nehotičnog pokretanja proizvoda.

→ Pre priključivanja, podešavanja ili transporta odvojite proizvod sa napajanja.

#### **Pumpanje vode:**

Ako ne možete da uronite pumpu u vodu držeći je za ručku, vežite je užetom i tako uronite u bunar odnosno rezervoar za vodu. Za minimalnu dubinu uranjanja prilikom puštanja u rad pogledajte 7. TEHNIČKI PODACI.

Pumpa mora da se postavi tako da ulazni otvori na vakuumskoj nožici ne budu potpuno niti delimično blokirani prljavštinom.

U jezerima pumpu treba postaviti npr. na ciglu.

1. Uronite pumpu u rezervoar za vodu.
2. Priključite pumpu na električno napajanje.  
*Pažnja! Pumpa odmah počinje s radom.*

#### **Automatski rad sa prekidačem sa plovkom [sl. O1]:**

**Kako bi se pumpa automatski isključila kada nema tečnosti, prekidač sa plovkom ③ mora slobodno da se kreće po površini vode.**

## 4. ODRŽAVANJE



**OPASNOST! Opasnost od telesnih povreda!**  
Postoji opasnost od povreda u slučaju nehotičnog pokretanja proizvoda.

→ Pre radova održavanja odvojite proizvod sa napajanja.

#### **Nameštanje visine uključivanja i isključivanja [sl. O1]:**

Utiskivanjem kabla prekidača sa plovkom u pripadajući držač moguće je prilagoditi maksimalnu visinu uključivanja i minimalnu visinu isključivanja (vidi 7. TEHNIČKI PODACI).

- Što je kabl između prekidača sa plovkom ③ i njegovog držača A kraći, to je niža visina uključivanja, a viša visina isključivanja.

→ Utisnite kabl prekidača sa plovkom ③ u otvor pripadajućeg držača A.



#### **PAŽNJA!**

**Da bi se zagarovalo uključivanje i isključivanje prekidača sa plovkom dužina kabla između prekidača i držača mora da iznosi najmanje 10 cm.**

#### **Ručni režim rada [sl. O2]:**

**Pumpa stalno radi, budući da je prekidač sa plovkom premošćen.**

1. Gurnite prekidač sa plovkom ③ s kablom prema dole na držač prekidača sa plovkom A.
2. Uspravite pumpu u vodi tako da stoji stabilno.
3. Priključite pumpu na električno napajanje.  
*Pažnja! Pumpa odmah počinje s radom.*

Minimalna visina preostale vode (vidi 7. TEHNIČKI PODACI) dostiže se samo u ručnom režimu rada, budući da prekidač sa plovkom u automatskom režimu rada već pre toga isključuje pumpu.

#### **Ispiranje pumpe:**

Nakon pumpanja hlorisane vode pumpa se mora ispirati.

1. Pumpajte mlaku vodu (maks. 35 °C), eventualno uz dodatak blagog deterdženta (npr. sredstva za pranje posuđa), dok voda ne postane čista.
2. Ostatke odložite u otpad u skladu sa odredbama merodavnog Zakona o uklanjanju otpada.

## 5. SKLADIŠTENJE

### Za vreme nekorišćenja:

**Pumpa nije otporna na mraz!**

**Proizvod morate da čuvate van domašaja dece.**

1. Odvojite pumpu s napajanja.
2. Okrenite pumpu naglavačke i držite je tako dok ne istekne sva voda.
3. Očistite pumpu (vidi 4. ODRŽAVANJE).
4. Pumpu čuvajte na suvom, zatvorenom prostoru zaštićenom od mraza.

### Odlaganje proizvoda:

(u skladu sa Dir. 2012/19/EU)



Proizvod ne sme da se baci u običan komunalni otpad. Morate da ga odložite u skladu sa važećim lokalnim propisima o zaštiti životne sredine.

### VAŽNO!

→ Rashodovan proizvod predajte Vašem lokalnom reciklažnom odlagalištu.

## 6. OTKLANJANJE GREŠAKA



**OPASNOST! Opasnost od telesnih povreda!**  
**Postoji opasnost od povreda u slučaju nehotičanog pokretanja proizvoda.**

→ Pre popravki odvojite proizvod sa napajanja.

### Čišćenje vakuumske nožice i radnog kola [sl. T1]:

1. Odvijte 4 vijka sa krstastom glavom ④.

2. Svucite vakuumsku nožicu ⑤ sa pumpe.
3. Očistite vakuumsku nožicu ⑤ i radno kolo ⑥ (ovi radovi održavanja ne ugrožavaju pravo na reklamacije).
4. Ponovo postavite vakuumsku nožicu ⑤.
5. Ponovo uvijte 4 vijka sa krstastom glavom ④.

**Oštećeno radno kolo iz bezbednosnih razloga sme zameniti samo servisna služba preduzeća GARDENA.**

Problem	Mogući uzroci	Pomoć
<b>Pumpa radi, ali ne crpi vodu</b>	Vazduh ne može da izađe, jer je hidrauličko crevo zatvoreno (moguće da je npr. presavijeno).	→ Otvorite potisno crevo (npr. blokirni ventil, ispusne uređaje).
	Vazdušni džep u vakuumskoj nožici.	→ Sačekajte oko 60 sekundi da pumpa sama ispusti vazduh (eventualno je više puta isključite i uključite).
	Usisni otvor je začepljen.	→ Očistite usisni otvor mlazom vode.
	Crevo je začepljeno.	→ Uklonite začepljenje iz creva.
	Radno kolo je blokirano.	→ Očistite vakuumsku nožicu i radno kolo.
<b>Pumpa ne radi ili se tokom rada iznenada zaustavlja</b>	Nivo vode je prilikom puštanja u rad ispod minimuma.	→ Uronite pumpu dublje.
	Zaštitni termoprekidač je zbog pregrevanja isključio pumpu.	→ Očistite usisni otvor. Uzmite u obzir maksimalnu temperaturu fluida (35 °C).
	Pumpa je bez struje.	→ Proverite osigurače i strujne utične spojeve.
<b>Pumpa radi, ali se snaga pumpe iznenada smanjuje</b>	Aktivirao se zaštitni uređaj diferencijalne struje (struja greške).	→ Odvojite pumpu od napajanja električnom energijom i obratite se servisnoj službi preduzeća GARDENA.
	Usisni otvor je začepljen.	→ Očistite usisni otvor mlazom vode.
	Crevo je začepljeno.	→ Uklonite začepljenje iz creva.



**NAPOMENA: U slučaju drugih smetnji obratite se servisnom centru preduzeća GARDENA. Popravke prepustite samo stručnjacima servisnih centara preduzeća GARDENA ili specijalizovanim prodavcima koje je u tu svrhu ovlastila GARDENA.**



## 7. TEHNIČKI PODACI

Potopna pumpa	Jedinica	Vrednost (art. 9000)	Vrednost (art. 9001)	Vrednost (art. 9007)	Vrednost (art. 9008)
Nominalna snaga	W	250	400	250	400
Napon el. mreže	V (AC)	230	230	230	230
Frekvencija el. mreže	Hz	50	50	50	50
Maks. protok	l/h	8200	8600	9200	10.500
Maks. pritisak/ maks. visina pumpanja	bar / m	0,5 5,0	0,55 5,5	0,4 4,0	0,5 5,0
Maks. dubina uranjanja	m	6	6	6	6
Min./maks. visina uključivanja	cm	23 / 50	23 / 50	26 / 45	26 / 45
Min./maks. visina isključivanja	cm	7 / 20	7 / 20	11 / 16	11 / 16
Visina preostale vode	mm	4	4	25	25
Priljava voda maksimalne granulacije zaprljanja	mm	5	5	25	25
Minimalni nivo vode prilikom puštanja u rad (pribl.)	cm	25	25	50	50
Prikjučni kabl	m	10 (H05RN-F)	10 (H05RN-F)	10 (H05RN-F)	10 (H05RN-F)
Težina bez kabla (pribl.)	kg	2,55	2,85	2,55	2,9
Maks. temperatura medijuma	°C	35	35	35	35

15

## 8. PRIBOR/REZERVNI DELOVI

GARDENA Obujmica creva	Za priklučivanje creva od 25 mm (1") pomoću priključne nazuvice.	<b>art. 7193</b>
GARDENA Obujmica creva	Za priklučivanje creva od 38 mm (1 1/2") pomoću priključne nazuvice.	<b>art. 7195</b>
GARDENA Komplet za priklučivanje pumpi	Za priklučivanje creva od 19 mm (3/4") putem GARDENA utičnog sistema.	<b>art. 1752</b>
GARDENA Komplet ravnih creva	Crevo od 10 m 38 mm (1 1/2") sa stezaljkom za crevo.	<b>art. 5005</b>

## 9. SERVIS

Aktuelne kontakt informacije za naše servisno odeljenje mogu se pronaći na mreži:

[www.gardena.com/contact](http://www.gardena.com/contact)

# GARDENA Занурювальний насос для чистої води / Занурювальний насос для брудної води

1. ВКАЗІВКИ З ТЕХНІКИ БЕЗПЕКИ . . . . .	58
2. МОНТАЖ . . . . .	60
3. ОБСЛУГОВУВАННЯ . . . . .	60
4. ДОГЛЯД . . . . .	61
5. ЗБЕРІГАННЯ . . . . .	61
6. УСУНЕННЯ НЕСПРАВНОСТЕЙ . . . . .	61
7. ТЕХНІЧНІ ХАРАКТЕРИСТИКИ . . . . .	62
8. КОМПЛЕКТУЮЧІ/ЗАПЧАСТИНИ . . . . .	63
9. СЕРВІСНЕ ОБСЛУГОВУВАННЯ . . . . .	63

Це переклад оригіналу інструкції.



Діти віком від 8 років і старші, а також особи з обмеженими фізичними, сенсорними або розумовими здібностями або з відсутністю досвіду й знань можуть використовувати даний виріб, якщо вони перебувають під доглядом або пройшли інструктаж з безпечного використання виробу й розуміють пов'язані із цим ризики. Дітям забороняється гратися з виробом. Чищення та технічне обслуговування, виконуване користувачем, не повинні проводитися дітьми без догляду. Ми рекомендуємо використання виробу підлітками тільки після досягнення 16 років. Не використовуйте пристрій, якщо ви втомлені, хворі,

чи перебуваєте під впливом наркотиків, алкоголю, медикаментів.

## Належне застосування:

**GARDENA Занурювальний насос** призначений для осушення після повеней, а також і для перекачування й забору води з резервуарів, для забору води з колодязів і шахт, для осушення човнів і яхт, для обмеженої за часом аерації й циркуляції води, та для перекачування хлорованої води на присадибних і дачних ділянках.

## Рідини, що перекачуються:

За допомогою GARDENA занурювального насоса дозволяється відкачувати тільки воду.

Насос можна повністю занурювати у воду (водонепроникна капсула) (макс. глибина занурення див. 7. ТЕХНІЧНІ ХАРАКТЕРИСТИКИ).

Виріб призначений для відкачування наступних рідин:

- **Занурювальний насос для чистої води:** чиста й злегка забруднена вода з макс. діаметром часток 5 мм.
- **Занурювальний насос для брудної води:** брудна вода з макс. діаметром часток 25 мм.

Виріб не призначений для тривалої експлуатації (тривала циркуляція).



## НЕБЕЗПЕКА!

Небезпека отримання травми!

→ Не можна відкачувати солону воду, їдкі, легко займисті або вибухонебезпечні речовини (наприклад, бензин, гас, нітророзчинник), масла, мазут і продукти харчування.

uk

## 1. ВКАЗІВКИ З ТЕХНІКИ БЕЗПЕКИ

### ВАЖЛИВО!

Ретельно прочитайте цю інструкцію з експлуатації та збережіть її, щоб при необхідності можна було звернутися до неї.

Символи на виробі:



Прочитайте інструкцію з експлуатації.

### Загальні вказівки з техніки безпеки

#### Електробезпека



**НЕБЕЗПЕКА! Ураження струмом!**

Небезпека отримання травми через ураження електричним струмом.

→ Живлення виробу має здійснюватися через пристрій захисного відключення (ПЗВ), номінальний залишковий струм спрацьовування якого не повинен перевищувати 30 мА.



**НЕБЕЗПЕКА! Небезпека отримання травм!**  
Небезпека отримання травми через ураження електричним струмом.

→ Від'єднайте виріб від електромережі перед проведенням робіт з технічного обслуговування або заміною деталей. Відключена вилка повинна знаходитися у вашому полі зору.

#### Безпечна експлуатація

Уникайте перевищення температури води 35 °С.

Не можна використовувати насос, якщо у воді знаходяться люди.

Забруднення рідини може відбутися через просочування змашувальних речовин.

Біля води не повинні перебувати сторонні.

Експлуатуйте насос тільки з кутовим перехідником.

#### Захисний вимикач

##### Тепловий захисний вимикач:

При перевантаженні насос відключиться через вбудований термозахист мотора. Після достатнього охолодження мотора насос знову готовий до експлуатації.

#### Автоматичне видалення повітря

Даний насос обладнаний повітровипускним клапаном для видалення повітряного прошарку, який може утворюватися в насосі. Збоку на корпусі може виступати невелика кількість води, що є нормальним у процесі роботи.

#### Додаткові вказівки з техніки безпеки

##### Електробезпека



**НЕБЕЗПЕКА! Зупинка серця!**

Цей виріб під час експлуатації створює електромагнітне поле. Це поле при певних умовах може створити негативний вплив на роботу активних або пасивних медичних імплантатів. Щоб виключити небезпечні ситуації, які можуть призвести до тяжких або смертельних травм, особи з медичним імплантатом перед використанням цього виробу повинні проконсультуватися зі своїм лікарем і виробником імплантату.

##### Кабель

При використанні подовжувальних кабелів вони повинні відповідати мінімальним перетинам в нижченаведеній таблиці:

Напруга	Довжина кабелю	Перетин
230 – 240 В/50 Гц	До 20 м	1,5 мм <sup>2</sup>
230 – 240 В/50 Гц	20 – 50 м	2,5 мм <sup>2</sup>



**НЕБЕЗПЕКА! Ураження струмом!**

Через обрізаний мережний штекерний роз'єм по мережевому кабелю до електричної зони може проникнути волога та стати причиною короткого замикання.

→ Ні в якому разі не обрізати мережний штекер (наприклад, з метою прокладання через стіну).

→ Витягуйте штекер з розетки не за кабель, а за штекерну колодку.

→ У разі необхідності заміни електричного кабелю, її має виконати виробник або його представник, щоб уникнути загрози безпеці.

Сітьова вилка та муфтові з'єднання повинні бути бризкозахищені.

Переконайтеся, що електричні штекерні з'єднання перебувають поза зоною затоплення.

Сітьову вилку та провід підключення до електромережі захищайте від спеки, попадання масел та стикування з гострими кантами.

Слідкуйте за сітьовою напругою. Вказівки на паспортній табличці повинні відповідати параметрам електромережі.

При знаходженні в басейні або при торканні поверхні води необхідно обов'язково витягти штепсельну вилку насоса.

Провід підключення до мережі не дозволяється застосовувати для кріплення чи транспортування насоса.

Для занурення або підняття, а також закріплення насоса необхідно використовувати фіксуючий трос.

Регулярно перевіряйте з'єднувальний провід.

Перед користуванням завжди слід здійснити візуальний контроль насоса (перш за все проводу підключення до мережі та сітьової вилки).

Пошкодженням насосом користуватися не дозволяється. У випадку пошкодження насос обов'язково перевірте в сервісному центрі GARDENA.

Інструкція з монтажу: необхідно знову наживити болти.

Перед використанням після технічного обслуговування необхідно перевірити, щоб усі деталі були прикручені.

При використанні нашого насоса з генератором необхідно дотримуватися вказівок виробника генератора.

#### Особиста безпека



**НЕБЕЗПЕКА! Небезпека задухи!**

Дрібні частини можуть бути легко проковтнуті. Через поліетиленовий мішок існує небезпека задухи для маленьких дітей. Не допускайте маленьких дітей до місця збірки.

Дотримуйтесь мінімального рівня води згідно з технічними характеристиками насоса.

Насос не дозволяється експлуатувати довше 10 хвилин при закритій стороні нагнітання.

Пісок та інші абразивні речовини приведуть до швидкого зношування й зниження продуктивності насоса.

Поплавковий вимикач можна налаштувати тільки поза водою.

Під час експлуатації не можна знімати шланг.

Перед усуненням неполадок, дати насосу охолонути.

Насос не можна експлуатувати без встановленого кутового перехідника.

## 2. МОНТАЖ



### НЕБЕЗПЕКА!

Небезпека отримання травми!

Небезпека отримання травм при ненавмисному запуску виробу.

→ Перш ніж збирати виріб, відключіть виріб від електроживлення.

**Вкрутити кутовий перехідник у насос [зобр. А1]:**



### НЕБЕЗПЕКА!

Небезпека отримання травми!

Небезпека порізу крильчаткою.

→ Експлуатуйте насос тільки з кутовим перехідником.

→ Вкрутіть за годинниковою стрілкою кутовий перехідник ① у насос.

Шланг можна приєднати за допомогою патрубку насоса ① і приєднувального ніпеля ② [25 мм (1") і 38 мм (1 1/2")] або через GARDENA сполучну систему [13 мм (1/2")/16 мм (5/8")/19 мм (3/4")]. При використанні шланга 38 мм (1 1/2") насос працюватиме з максимальною продуктивністю.

**Підключення шланга через сполучний штуцер [зобр. А2/А3/А4]:**

Через сполучний штуцер ② можуть бути підключені шланги 25 мм (1") і 38 мм (1 1/2").

Діаметр шланга	25 мм (1")	38 мм (1 1/2")
----------------	------------	----------------

GARDENA Хомут для шланга	арт. 7193	арт. 7195
--------------------------	-----------	-----------

Шлангове з'єднання [зобр. А2]	Штуцер не викручувати [зобр. А3].	Викрутити сполучний штуцер у з'єднанні ① [зобр. А4].
-------------------------------	-----------------------------------	--

25 мм (1") і 38 мм (1 1/2") шланги, приєднані через сполучний штуцер ②, необхідно закріпити, наприклад, за допомогою **GARDENA хомута для шланга арт. 7193/7195**.

1. Вкрутіть за годинниковою стрілкою кутовий перехідник у насос.
2. Нагвинтіть приєднувальний ніпель ② на патрубок насоса ①. (При 38 мм (1 1/2")-шлангах спершу вилучте приєднувальний ніпель ② по жолобкові в ⑥.)
3. Натягніть шланг на приєднувальний ніпель ② і закріпіть його за допомогою, наприклад, **GARDENA шлангового хомута арт. 7193/7195**.

**Підключення шланга за допомогою сполучної системи [зобр. А5]:**

Ми рекомендуємо використовувати шланги з діаметром не менше 19 мм (3/4"), інакше може знизитися продуктивність насоса.

Діаметр шланга	Приєднання до насоса
----------------	----------------------

19 мм (3/4")	GARDENA Комплект для приєднання	арт. 1752
--------------	---------------------------------	-----------

→ Підключіть шланг за допомогою відповідної GARDENA з'єднувальної системи.

uk

## 3. ОБСЛУГОВУВАННЯ



### НЕБЕЗПЕКА!

Небезпека отримання травми!

Небезпека отримання травм при ненавмисному запуску виробу.

→ Перш ніж підключати, регулювати або транспортувати виріб, відключіть виріб від електроживлення.

**Перекачування води:**

Якщо насос не можна занурити в резервуар з водою за допомогою ручки, необхідно занурити насос у колодязь або резервуар з водою за допомогою троса. Мінімальна глибина занурення при введенні в експлуатацію див. 7 ТЕХНІЧНІ ХАРАКТЕРИСТИКИ.

Насос необхідно встановити таким чином, щоб впускні отвори на всмоктувальній головці не були частково або повністю заблоковані сміттям.

Використовуючи насос у ставку, необхідно встановлювати його, наприклад, на цеглину.

1. Занурте насос у резервуар з водою.

2. Підключіть насос до мережі електроживлення.  
*Увага! Насос відразу запрацює.*

**Автоматичний режим роботи з поплавковим вимикачем [зобр. О1]:**

Щоб насос автоматично відключався після виходу робочої рідини, поплашковий вимикач ③ повинен вільно рухатися на поверхні води.

**Регулювання рівня вмикання та вимикання [зобр. О1]:**

Максимальний рівень вмикання та мінімальний рівень вимикання регулюються (див. 7. ТЕХНІЧНІ ХАРАКТЕРИСТИКИ), для цього кабель поплавкового перемикача вдавлює в фіксатор поплавкового перемикача.

- Чим коротше кабель між поплавковим вимикачем ③ і фіксатором поплавкового вимикача ④, тим нижче буде рівень води при включенні, й тим вище буде рівень води при відключенні.

→ Вставте кабель поплавкового вимикача ③ у проріз фіксатора поплавкового вимикача ④.



### УВАГА!

Для забезпечення вмикання/вимикання поплавкового перемикача довжина кабелю між поплавковим перемикачем та фіксатором поплавкового перемикача повинна складати мінімум 10 см.

#### Ручний режим роботи [зобр. O2]:

Насос працює постійно тому, що поплавок вимикач закорочений. Це активує реле захисту від «сухого ходу».

1. Надягніть поплавок вимикач ③ кабелем униз на фіксатор поплавкового вимикача ④.
2. Установіть насос стійко у воді.
3. Підключіть насос до мережі електроживлення.

Мінімальна висота залишкового рівня води (див. 7. ТЕХНІЧНІ ХАРАКТЕРИСТИКИ) буде досягнута тільки в ручному режимі роботи, тому що при автоматичному режимі роботи поплавок вимикач заздалегідь відключить насос.

## 4. ДОГЛЯД



### НЕБЕЗПЕКА!

Небезпека отримання травми!

Небезпека отримання травм при ненавмисному запуску виробу.

→ Перш ніж проводити роботи з технічного обслуговування виробу, відключіть виріб від електроживлення.

#### Промивання насоса:

Після перекачування хлорованої води насос необхідно промити.

1. Прокачайте ледве теплу воду (макс. 35 °C), можливо з додаванням неагресивного засобу, що чистить (наприклад, засобу для миття посуду), доти, доки вода, що перекачується, не стане прозорою.
2. Утилізуйте відходи згідно з директивами закону про ліквідацію відходів.

## 5. ЗБЕРІГАННЯ

#### Виведення з експлуатації:

Насос не захищений від морозу!

Виріб повинен зберігатися в недоступному для дітей місці.

1. Відключіть насос від мережі електроживлення.
2. Переверніть насос дотри дном, поки не перестане витікати вода.
3. Очистіть насос (див. 4. ДОГЛЯД).
4. Зберігайте насос в сухому, закритому й захищеному від морозу місці.

#### Утилізація виробу:

(відповідно до Директиви 2012/19/ЄС)



Виріб не можна утилізувати зі звичайними побутовими відходами. Він повинен бути утилізований відповідно до місцевих чинних стандартів з охорони навколишнього середовища.

#### ВАЖЛИВО!

→ Утилізуйте виріб у або за допомогою місцевого спеціалізованого збірного пункту з утилізації.

## 6. УСУНЕННЯ НЕСПРАВНОСТЕЙ



### НЕБЕЗПЕКА!

Небезпека отримання травми!

Небезпека отримання травм при ненавмисному запуску виробу.

→ Перед усуненням неполадок, відключіть виріб від електроживлення.

#### Чищення всмоктувальної головки й крильчатки [зобр. T1]:

1. Викрутіть 4 гвинта із хрестоподібним шліцом ④.

2. Від'єднайте всмоктувальну головку ⑤ від насоса.
3. Очистіть всмоктувальну головку ⑤ й крильчатку ⑥ (виконання даних робіт з технічного обслуговування не призведе до припинення гарантії).
4. Встановіть всмоктувальну головку ⑤ на місце.
5. Закрутіть 4 гвинта із хрестоподібним шліцом ④.

**З міркувань безпеки проводити заміну ушкодженої крильчатки дозволяється тільки сервісному центру GARDENA.**

Проблема	Можлива причина	Спосіб усунення
<b>Насос працює, але не качає воду</b>	Повітря не може вийти, тому що закрито магістраль нагнітання (Можливо перегнувся напірний рукав).	→ Відкрийте напірну лінію (наприклад, запірний вентиль, пристрої для дозування).
	Повітряна пробка у всмоктувальному патрубку.	→ Почекайте 60 секунд, поки насос самостійно не видалить повітря (при необхідності виключити/включити).
	Всмоктувальний отвір забився.	→ Очистіть всмоктувальний отвір струменем води.
	Шланг забився.	→ Видаліть засмічення в шлангу.
	Крильчатка заблокована.	→ Очистіть всмоктувальну головку й крильчатку.
	Рівень води при введенні в експлуатацію нижче дозволеного мінімального рівня води.	→ Зануріть насос глибше.
<b>Насос не запускається або в процесі експлуатації раптово зупиняється</b>	Тепловий захисний вимикач відключив насос через перегрів.	→ Очистіть всмоктувальний отвір. Звертайте увагу на максимальну температуру середовища (35 °C).
	Насос без струму.	→ Перевірте запобіжники й електричні з'єднання.
	Спрацював пристрій захисного відключення (струм витоку).	→ Відключіть насос від мережі електроживлення і зверніться до сервісного центру GARDENA.
<b>Насос працює, але продуктивність роботи насоса раптово падає</b>	Всмоктувальний отвір забився.	→ Очистіть всмоктувальний отвір струменем води.
	Шланг забився.	→ Видаліть засмічення в шлангу.



**ВКАЗІВКА:** в разі інших несправностей зверніться, будь ласка, до сервісного центру GARDENA. Ремонтні роботи повинні виконуватися тільки сервісними центрами GARDENA, а також спеціалізованими фірмами, які сертифіковані компанією GARDENA.

uk

## 7. ТЕХНІЧНІ ХАРАКТЕРИСТИКИ

<i>Занурювальний насос</i>	Одиниця вимірювання	Значення (арт. 9000)	Значення (арт. 9001)	Значення (арт. 9007)	Значення (арт. 9008)
<b>Номинальна потужність</b>	Вт	250	400	250	400
<b>Мережева напруга</b>	В (AC)	230	230	230	230
<b>Частота мережі</b>	Гц	50	50	50	50
<b>Макс. продуктивність насоса</b>	л/ч	8200	8600	9200	10.500
<b>Макс. тиск/ макс. висота відкачування рідини</b>	бар / м	0,5 5,0	0,55 5,5	0,4 4,0	0,5 5,0
<b>Макс. глибина заглиблення</b>	м	6	6	6	6
<b>Мін./ макс. рівень води при включенні</b>	см	23 / 50	23 / 50	26 / 45	26 / 45
<b>Мін./ макс. рівень води при відключенні</b>	см	7 / 20	7 / 20	11 / 16	11 / 16

<i>Занурювальний насос</i>	Одиниця вимірювання	Значення (арт. 9000)	Значення (арт. 9001)	Значення (арт. 9007)	Значення (арт. 9008)
<b>Висота залишкового рівня води</b>	мм	4	4	25	25
<b>Брудна вода з макс. діаметром часток</b>	мм	5	5	25	25
<b>Мінімальний рівень води при введенні в експлуатацію (около)</b>	см	25	25	50	50
<b>Сполучний кабель</b>	м	10 (H05RN-F)	10 (H05RN-F)	10 (H05RN-F)	10 (H05RN-F)
<b>Вага без кабелю (около)</b>	кг	2,55	2,85	2,55	2,9
<b>Макс. температура робочої рідини</b>	°C	35	35	35	35

## 8. КОМПЛЕКТУЮЧІ/ЗАПЧАСТИНИ

<b>GARDENA Хомут для шланга</b>	Для 25 мм (1")-шлангів через сполучний штуцер.	<b>арт. 7193</b>
<b>GARDENA Хомут для шланга</b>	Для 38 мм (1 1/2")-шлангів через сполучний штуцер.	<b>арт. 7195</b>
<b>GARDENA Комплект для приєднання</b>	Для 19 мм (3/4")-шлангів через сполучну систему GARDENA.	<b>арт. 1752</b>
<b>GARDENA Набір із плоским шлангом</b>	10 м 38 мм (1 1/2")-шланг із фіксатором для шлангу.	<b>арт. 5005</b>

## 9. СЕРВІСНЕ ОБСЛУГОВУВАННЯ

Контактну інформацію нашого відділу обслуговування можна знайти за посиланням:

[www.gardena.com/contact](http://www.gardena.com/contact)

uk

# Pompă submersibilă pentru apă curată / Pompă submersibilă pentru apă murdară GARDENA

1. INSTRUCȚIUNI DE SIGURANȚĂ . . . . .	64
2. MONTAJUL . . . . .	65
3. OPERAREA . . . . .	66
4. ÎNTREȚINEREA . . . . .	67
5. DEPOZITAREA . . . . .	67
6. REMEDIEREA DEFECȚIUNILOR . . . . .	67
7. DATE TEHNICE . . . . .	68
8. ACCESORII/PIESE DE SCHIMB . . . . .	68
9. SERVICE . . . . .	68

## Traducerea instrucțiunilor originale.



Utilizarea produsului de către copii peste 8 ani precum și de către persoane cu abilități fizice sau mentale reduse sau de persoane fără experiența și cunoștințele necesare, este permisă numai dacă sunt supravegheați sau instruiți cu privire la utilizarea sigură a produsului și dacă înțeleg pericolele rezultate din utilizare. Copii nu au voie să se joace cu produsul. Curățarea și întreținerea care trebuie efectuate de utilizator nu sunt permise copiilor fără supraveghere. Utilizarea produsului este recomandată începând de la vârsta de 16 ani. Niciodată nu utilizați produsul dacă sunteți obosit sau bolnav sau vă aflați sub influența

alcoolului, drogurilor sau a medicamentelor.

### Utilizare conform destinației:

Pompa submersibilă GARDENA este destinată eliminării apei în caz de inundații, dar și pentru golirea și transvazarea lichidelor din rezervoare, pentru aducerea apelor din puțuri și izvoare, pentru evacuarea apei din șalupe și yachturi cât și pentru aerisirea și recircularea pentru un timp limitat a apei și pentru pomparea apei cu conținut de clor în grădinile gospodărești și de hobby.

### Lichide transportate:

Pompa submersibilă GARDENA se va folosi numai pentru transportarea apei.

Pompele sunt complet submersibile (capsulate) și pot fi scufundate (adâncimea maximă de scufundare vezi la 7. DATE TEHNICE).

Produsul poate fi folosit pentru pomparea următoarelor lichide:

- **Pompă submersibilă pentru apă curată:**  
apă curată sau ușor murdară cu un diametru maxim al particulelor de până la 5 mm.
- **Pompă submersibilă pentru apă murdară:**  
apă murdară cu un diametru maxim al particulelor de până la 25 mm.

Produsul nu este destinat utilizării continue (mod de funcționare cu recirculare continuă).



### PERICOL! Leziuni corporale!

→ Nu este permisă transportul următoarelor: apă sărată, substanțe acide, ușor inflamabile sau explozive (de ex. benzină, petrol lampant, nitrodiluant) ulei, păcură și alimente.

10

## 1. INSTRUCȚIUNI DE SIGURANȚĂ

### IMPORTANT!

Citiți atent instrucțiunile de utilizare și păstrați-le pentru o utilizare ulterioară.

### Simbolurile de pe produs:



Citiți instrucțiunile de utilizare.

### Instrucțiuni generale de siguranță

#### Siguranța electrică



#### PERICOL! Electrocutare!

Pericol de accidentare prin electrocutare.

→ Produsul trebuie alimentat cu curent printr-o siguranță diferențială (RCD) cu un curent nominal de declanșare de maxim 30 mA.



#### PERICOL! Pericol de accidentare!

Pericol de accidentare prin electrocutare.

→ Scoateți produsul din priză, înainte de a-l supune lucrărilor de întreținere sau de a schimba piese. Pentru aceasta priza trebuie să fie în raza vizuală a utilizatorului.



### Funcționarea în siguranță

Temperatura apei nu trebuie să depășească 35 °C.

Este interzisă folosirea pompei dacă se află persoane în apă.

Impuritățile din lichid ar putea rezulta ca urmare a scurgerii de lubrifianți.

Țineți terțele persoane departe de apă.

Pompa se va folosi numai împreună cu cotul.

### Înterupătoare de protecție

#### Înterupător de protecție termică:

În cazul suprasolicității, pompa se oprește prin intermediul protecției termice încorporate a motorului. După ce motorul s-a răcit suficient, pompa este din nou gata de funcționare.

### Aerisire automată

Această pompă este echipată cu o supapă de aerisire, care înlătură peremele de aer eventual existente în pompă. Astfel, ca urmare a funcționării, poate ieși o cantitate mică de apă pe partea laterală a carcasei.

### Instrucțiuni de siguranță suplimentare

#### Siguranța electrică



**PERICOL! Stop cardiac!**

**În timpul funcționării acest produs generează un câmp electromagnetic. În anumite condiții acest câmp poate afecta funcționarea implanturilor medicale active sau pasive. Pentru a exclude situațiile care pot însemna accidentare gravă sau mortală, persoanele cu implanturi medicale trebuie să-și consulte medicul sau producătorul implantului înainte de utilizarea acestui produs.**

#### Cablu

În cazul utilizării cablurilor prelungitoare, acestea trebuie să respecte diametrele minime din tabelul următor:

Tensiune	Lungime cablu	Secțiune
230 – 240 V/ 50 Hz	Până la 20 m	1,5 mm <sup>2</sup>
230 – 240 V/ 50 Hz	20 – 50 m	2,5 mm <sup>2</sup>



**PERICOL! Electrocutare!**

**Datorită unui conector tăiate prin cablu de conectare umezeala poate pătrunde în zona electrică și cauza un scurtcircuit.**

→ **Nu tăiați în niciun caz conectorul (de ex. prin trecerea prin perete).**

→ Nu trageți conectorul de cablu, ci țineți cutia conectorului când îl scoateți din priză.

→ În cazul deteriorării cablului de alimentare, acesta trebuie înlocuit de către producător, de către serviciul său pentru clienți, sau de către o persoană calificată similar, pentru a evita expunerea la pericole.

Priza de alimentare și legăturile prelungitoare trebuie să fie protejate de stropi de apă.

Asigurați-vă că legăturile electrice sunt efectuate în zone protejate la inundare.

Protejați steckerul și cablul de alimentare de caldură, ulei și margini ascuțite.

Verificați tensiunea de alimentare. Valoarea înscrisă pe pompa trebuie să corespundă cu cea furnizată de sursa de alimentare.

În cazul în care vă aflați în piscină sau la atingerea suprafeței apei pompa trebuie să fie neapărat scoasă din priză.

Cablul de alimentare nu trebuie folosit pentru asigurarea sau transportarea pompei.

La scufundarea respectiv la scoaterea și asigurarea pompei trebuie folosită o sfoară de fixare.

Verificați conductele de racordare la intervale regulate.

Înainte de folosire inspectați întotdeauna pompa (în special cablul de alimentare și legăturile electrice).

O pompă defectă nu trebuie folosită. În cazul unui defect verificați pompa la centrul service GARDENA.

Instrucțiuni de utilizare: strângeți din nou cu mâna toate șuruburile.

Înainte de utilizare, după realizarea lucrării de întreținere, asigurați-vă că toate piesele sunt înșurubate.

Atunci când utilizați pompele noastre cu un generator, trebuie să respectați indicațiile de avertizare ale producătorului generatorului.

### Siguranța personală



**PERICOL! Pericol de asfixiere!**

**Piesele mai mici pot fi înghițite. Punga de polietilenă înseamnă pericol de asfixiere pentru copiii mici. În timpul montajului țineți la distanță copiii mici.**

Respectați nivelul minim al apei conform datelor caracteristice ale pompei.

Nu lăsați pompa să funcționeze mai mult de 10 minute cu ieșirea închisă.

Nisipul și alte materiale abrazive produc uzura avansată și reduc performanțele pompei.

Este permisă operarea înterupătorului cu fitor numai în afara apei.

Nu este permisă tragerea furtunului în timpul funcționării.

Înainte de a remedia defecțiunile, lăsați pompa să se răcească.

Este interzisă utilizarea pompei fără cotul montat.

## 2. MONTAJUL



**PERICOL! Leziuni corporale!**  
**Pericol de accidentare dacă produsul pornește nesupravegheat.**

→ **Deconectați produsul de la alimentare cu energie electrică înainte de a-l monta.**

### Înșurubarea cotului în pompă [Fig. A1]:



**PERICOL! Leziuni corporale!**

**Leziuni tăiate provocate de turbină.**

→ **Pompa se va folosi numai împreună cu cotul.**

→ Înșurubați cotul ① în sensul acelor de ceasornic pe pompă.

Furtunul poate fi racordat prin racordul pompei ① și niplul de racord ② [25 mm (1") și 38 mm (1 1/2")] sau prin sistemul de fișare GARDENA [13 mm (1/2")/16 mm (5/8")/19 mm (3/4")]. Dacă se utilizează un furtun de 38 mm (1 1/2"), pompa atinge capacitatea maximă de transport.

### Conectarea furtunului prin niplul de conectare [Fig. A2/A3/A4]:

Prin niplul de conectare ② se pot conecta furtunuri de 25 mm (1") și 38 mm (1 1/2").

Diametrul furtunului	25 mm (1")	38 mm (1 1/2")
GARDENA Colier furtun	art. 7193	art. 7195
Îmbinare de furtun [Fig. A2]	Nu detașați niplul	Detașați niplul la ⑥
	[Fig. A3].	[Fig. A4].

Furtunurile de 25 mm (1") și de 38 mm (1 1/2"), care sunt conectate printr-un niplu de conectare ②, trebuie fixate de ex. de un **GARDENA Colier furtun art. 7193/7195**.

1. Înșurubați cotul în sensul acelor de ceasornic pe pompă.
2. Înșurubați niplul de racord ② pe racordul pompei ①. (În cazul furtunurilor de 38 mm (1 1/2") desfaceți în prealabil niplul de racordare ② în canelură de la ⑥.)
3. Introduceți furtunul pe niplul de racord ② și fixați-l de ex. cu o **brățară de furtun GARDENA art. 7193/7195**.

### Conectarea furtunului prin sistemul de conectori GARDENA [Fig. A5]:

Vă recomandăm să nu folosiți un diametru al furtunului mai mic decât 19 mm (3/4"), deoarece în caz contrar se ajunge la reducerea debitului transportat.

Diametrul furtunului	Conector pentru pompă	
19 mm (3/4")	GARDENA Set conectare pompă	art. 1752

→ Racordați furtunul prin intermediul sistemului de fișare GARDENA corespunzător.

## 3. OPERAREA



**PERICOL! Leziuni corporale!**

**Pericol de accidentare dacă produsul pornește nesupravegheat.**

→ **Înainte de conectarea, reglarea sau transportarea produsului, deconectați produsul de la alimentarea cu energie electrică.**

### Pomparea apei:

Dacă pompa nu poate fi scufundată în rezervorul de apă cu ajutorul mânerului, atunci pompa trebuie scufundată întotdeauna cu ajutorul unei sfori în puț sau în rezervorul de apă. Pentru adâncimea minimă de scufundare la punerea în funcțiune vezi 7. DATE TEHNICE.

Pompa trebuie astfel amplasată ca orificiile de admisie de pe baza de aspirare să nu pot fi blocate, fie parțial sau complet, de impurități.

De exemplu în cazul iazurilor pompa trebuie așezată pe o cărămidă.

1. Scufundați pompa în rezervorul de apă.
2. Conectați pompa cu alimentarea cu energie electrică.  
*Atenție! Pompa pornește imediat.*

### Mod de funcționare automată cu întrerupător cu flotor [Fig. O1]:

**Pentru ca pompa să se oprească automat când lipsește lichidul de transportat, comutatorul cu flotor ③ trebuie să se poată mișca liber pe suprafața apei.**

### Reglarea înălțimii de pornire și de oprire [Fig. O1]:

Nivelul maxim de pornire și nivelul minim de oprire (vezi 7. DATE TEHNICE) poate fi adaptat prin împingerea cablului flotorului în dispozitivul de blocare al flotorului.

- Cu cât cablul dintre întrerupătorul cu flotor ③ și dispozitivul de blocare al întrerupătorului cu flotor ④ este mai scurt, cu atât mai mic devine nivelul de pornire și cu atât mai mare devine nivelul de oprire.

→ Apăsăți cablul întrerupătorului cu flotor ③ în orificiul dispozitivului de blocare al întrerupătorului cu flotor ④.



**ATENȚIE!**

**Pentru asigurarea pornirii și opririi flotorului, lungimea cablului dintre flotor și dispozitivul de blocare al flotorului trebuie să fie de minim 10 cm.**

### Modul de funcționare manuală [Fig. O2]:

**Pompa rămâne în funcționare permanent, deoarece întrerupătorul cu flotor este șuntat.**

1. Împingeți întrerupătorul cu flotor ③ cu cablul în jos pe dispozitivul de blocare al întrerupătorului cu flotor ④.
2. Amplasați pompa într-un mod stabil în apă.
3. Conectați pompa cu alimentarea cu energie electrică.  
*Atenție! Pompa pornește imediat.*

Înălțimea min. a apei de ploaie (vezi 7. DATE TEHNICE) se atinge numai în modul de funcționare manuală, deoarece întrerupătorul cu flotor deconectează pompa deja timpuriu în modul de funcționare automată.

## 4. ÎNTREȚINEREA



**PERICOL! Leziuni corporale!**

**Pericol de accidentare dacă produsul pornește nesupravegheat.**

→ **Deconectați produsul de la alimentarea cu energie electrică înainte de a-l întreține.**

### Spălarea pompei:

După pomparea apei cu conținut de clor, pompa trebuie spălată.

1. Pompați apă caldută (max. 35 °C) eventual prin adăugarea unui detergent delicat (de exemplu, detergent de vase), până când apa pompată este curată.
2. Eliminați reziduurile conform directivelor legii privind eliminarea deșeurilor.

## 5. DEPOZITAREA

### Scoaterea din funcțiune:

**Pompa nu este rezistentă la îngheț!**

**Produsul trebuie depozitat într-un loc neaccesibil copiilor.**

1. Deconectați pompa de la alimentarea cu energie electrică.
2. Rotiți pompa pe cap până când nu se mai scurge apă.
3. Curățați pompa (vezi 4. ÎNTREȚINEREA).
4. Păstrați pompa într-un loc uscat, închis și ferit de îngheț.

### Eliminarea produsului la deșeur:

(conform directivei 2012/19/UE)



Este interzisă disponerea produsului ca gunoi menajer obișnuit. Acesta trebuie dispus ca deșeu conform prescripțiilor locale de protecția mediului.

### IMPORTANT!

→ Dispuneți ca deșeu produsul prin sau de către punctele de colectare și reciclare locale.

## 6. REMEDIEREA DEFECȚIUNILOR



**PERICOL! Leziuni corporale!**

**Pericol de accidentare dacă produsul pornește nesupravegheat.**

→ **Deconectați produsul de la alimentarea cu energie electrică înainte de a remedia defecțiunile produsului.**

### Curățarea bazei de aspirare și a turbinei [Fig. T1]:

1. Desfaceți cele 4 șuruburi cu cap cruce ④.
2. Trageți jos de pe pompă baza de aspirare ⑤.
3. Curățați baza de aspirare ⑤ și turbina ⑥ (Aceste lucrări de întreținere nu atrag după sine anularea garanției).
4. Montați la loc baza de aspirare ⑤.
5. Înșurubați la loc cele 4 șuruburi cu cap cruce ④.

**Din motive ce țin de siguranță, turbina deteriorată poate fi înlocuită numai de service-ul GARDENA.**

Problemă	Cauză posibilă	Remediu
<b>Pompa funcționează, dar nu transportă apă</b>	Aerul nu poate fi evacuat, deoarece circuitul este închis (de ex. furtunul este îndoit).	→ Deschideți conducta de presiune. (de ex. robinet de închidere, aparatele de distribuție).
	Aer în zona de sucțiune.	→ Așteptați cca. 60 de secunde, până când pompa se aerește singură (eventual opriți/porniți).
	Orificiul de aspirare este înfundat.	→ Curățați orificiul de aspirare cu un jet de apă.
	Furtunul este înfundat.	→ Desfundați furtunul.
	Turbina este blocată.	→ Curățați baza de aspirare și turbina.
Nivelul apei sub nivelul minim la punerea în funcțiune.	→ Imersați pompa mai adânc.	
<b>Pompa nu pornește sau se oprește brusc în timpul funcționării</b>	Întreprătorul de protecție termică a oprit pompa din cauza supraîncălzirii.	→ Curățați orificiul de aspirare. Respectați temperatura maximă a mediului (35 °C).

Problemă	Cauză posibilă	Remediu
<b>Pompa nu pornește sau se oprește brusc în timpul funcționării</b>	Pompa fără curent.	→ Verificați siguranțele și conexiunile cu fișă electrice.
	Înterupătorul de protecție împotriva curentilor reziduali (RCD) a declanșat (curent rezidual).	→ Scoateți pompa din priză și adresați-vă GARDENA Service.
<b>Pompa funcționează însă performanțele la ieșire scad</b>	Orificiul de aspirare este înfundat.	→ Curățați orificiul de aspirare cu un jet de apă.
	Furtunul este înfundat.	→ Desfundați furtunul.



**NOTĂ:** În caz de alte defecțiuni adresați-vă centrului de service GARDENA. Reparațiile vor fi efectuate în exclusivitate de centrele de service GARDENA și de dealeri autorizați de GARDENA.

## 7. DATE TEHNICE

<i>Pompă submersibilă</i>	Unitate	Valoare (art. 9000)	Valoare (art. 9001)	Valoare (art. 9007)	Valoare (art. 9008)
Putere nominală	W	250	400	250	400
Tensiunea de rețea	V (AC)	230	230	230	230
Frecvența de rețea	Hz	50	50	50	50
Cantitatea max. transportată	l/h	8200	8600	9200	10.500
Presiunea max./ Înălțimea max. de transport	bar / m	0,5 / 5,0	0,55 / 5,5	0,4 / 4,0	0,5 / 5,0
Adâncimea max. de submersie	m	6	6	6	6
Nivel de pornire min. / max.	cm	23 / 50	23 / 50	26 / 45	26 / 45
Nivel de oprire min. / max.	cm	7 / 20	7 / 20	11 / 16	11 / 16
Nivelul apei rămase	mm	4	4	25	25
Apă murdară cu diametrul maxim al particulelor	mm	5	5	25	25
Adâncimea minimă a apei (aprox.)	cm	25	25	50	50
Cablu de conexiune	m	10 (H05RN-F)	10 (H05RN-F)	10 (H05RN-F)	10 (H05RN-F)
Greutate fără cablu (aprox.)	kg	2,55	2,85	2,55	2,9
Temperatură de mediu maximă	°C	35	35	35	35

## 8. ACCESORII/PIESE DE SCHIMB

<b>GARDENA Colier furtun</b>	Pentru furtunuri de 25 mm (1") conectate printr-un niplu de conectare.	<b>art. 7193</b>
<b>GARDENA Colier furtun</b>	Pentru furtunuri de 38 mm (1 1/2") conectate printr-un niplu de conectare.	<b>art. 7195</b>
<b>GARDENA Set conectare pompă</b>	Pentru furtunuri de 19 mm (3/4") conectate prin sistemul de conectare GARDENA.	<b>art. 1752</b>
<b>GARDENA Set de furtun plat</b>	Furtun de 10 m 38 mm (1 1/2") cu clemă de furtun.	<b>art. 5005</b>

## 9. SERVICE

Informațiile de contact actuale pentru departamentul nostru de service sunt disponibile online la:

[www.gardena.com/contact](http://www.gardena.com/contact)

# GARDENA Berrak su dalgıç pompası / Kırlı su dalgıç pompası

1. EMNİYET BİLGİLERİ . . . . .	69
2. MONTAJ . . . . .	70
3. KULLANIM . . . . .	71
4. BAKIM . . . . .	71
5. DEPOLAMA . . . . .	72
6. HATA GİDERME . . . . .	72
7. TEKNİK ÖZELLİKLER . . . . .	73
8. AKSESUAR/YEDEK PARÇALAR . . . . .	73
9. SERVİS . . . . .	73

## Orijinal kullanma kılavuzunun çevirisi.



8 yaş ve üzeri çocuklar ve fiziksel, duyuşal veya zihinsel kabiliyetleri sınırlı olan veya yeterli deneyim ve bilgiye sahip olmayan kişiler bu ürünü, ancak gözetim altındayken veya cihazın güvenli bir şekilde kullanımı konusunda bilgilendirilmeleri ve sonuçta ortaya çıkabilecek tehlikelerin farkında olmaları durumunda kullanabilirler. Çocukların ürün ile oynamasına izin vermeyin. Temizlik ve kullanıcı bakımı, gözetim yapılmaksızın çocuklar tarafından yürütülmemelidir. Bu ürünü 16 yaş üzeri yetişkinlerin kullanmasını öneriyoruz. Ürünü yorgun, hasta ya da alkol, uyuşturucu

cu madde ya da ilaç etkisi altında olduğunuz zaman asla kullanmayın.

## Amacına uygun kullanım:

**GARDENA Dalgıç pompası** su baskınlarında su tahliyesi için, ayrıca konteynerler arası pompalama ve konteynerden dışarı pompalama, kuyulardan ve çukurlardan su çekmek, teknelerin ve yatların su tahliyesi ve ayrıca zaman sınırlı su havalandırması ve sirkülasyonu ve özel ev ile hobi bahçelerinde klorlu su pompalanması için tasarlanmıştır.

## Taşıma sınırları:

GARDENA dalgıç pompası ile sadece su taşınabilir.

Pompa su geçirmez şekilde kapsüllenmiş olup su içine tamamen daldırılabilir (azami daldırma derinliği için bkz. 7. TEKNİK ÖZELLİKLER).

Pompa, aşağıdaki sınırlar için uygundur:

- **Berrak su dalgıç pompası:** azami tanecik çapı 5 mm olan temiz ila biraz kırlı su.
- **Kırlı su dalgıç pompası:** azami 25 mm tanecik çapına sahip kırlı su.

Ürün uzun süreli işletim için uygun değildir (sürekli devridaim işletimi).



## TEHLİKE! Yaralanma!

→ **Tuzlu su, tahriş edici, hafif yanıcı veya patlayıcı maddeler (örneğin benzin, gazyağı, nitro dilüsyonu), yağlar, kalorifer yakıtı ve gıda maddesi taşınmaz.**

## 1. EMNİYET BİLGİLERİ

### ÖNEMLİ!

Kullanma kılavuzunu tamamen okuyup daha sonra başvurmak için muhafaza edin.

### Ürün üzerindeki semboller:



Kullanma kılavuzunu okuyun.

### Genel emniyet bilgileri

#### Elektrik güvenliği



**TEHLİKE! Elektrik çarpması!**

**Elektrik akımı nedeniyle yaralanma tehlikesi.**

→ Ürün, maksimum 30 mA'lık nominal devreye girme akımına sahip bir FI şalteri (RCD) üzerinden akım ile beslenmelidir.



**TEHLİKE! Yaralanma tehlikesi!**

**Elektrik akımı nedeniyle yaralanma tehlikesi.**

→ **Bakım yapmadan ya da yapı parçalarını değiştirmeden önce ürünü şebekeden ayırın. Bu sırada prize görebilmelisiniz.**

### Daha güvenli çalışma

Su sıcaklığı 35 °C üzerinde olamaz.

Suda insanlar bulunduğunda pompa kullanılmamalıdır.

Sızan yağlayıcı maddelerden dolayı sıvılar kirlenebilir.

Üçüncü şahısları sudan uzak tutun.

Pompayı sadece dirseklili boru bağlantısı ile çalıştırın.

### Koruma şalteri

#### Termal koruma şalteri:

Pompa, aşırı yüklenme durumunda dahili termal motor koruması tarafından olarak kapatılır. Motor yeterince soğuduktan sonra pompa tekrar işleme hazırdır.

### Otomatik hava tahliyesi

Bu pompa pompada mevcut hava yastığını gideren bir hava tahliye valfi ile donatılmıştır. Fonksiyona bağlı olarak,

bu şekilde gövdenin yan tarafından düşük miktarda su çıkar.

### Ek emniyet bilgileri

#### Elektrik güvenliği



#### TEHLİKE! Kalp durma tehlikesi!

**Bu ürün işletim sırasında elektromanyetik bir alan oluşturur. Bu alan bazı koşullar altında aktif ya da pasif tıbbi implantların işlev şekli üzerinde etki gösterebilir. Ağır ya da ölümcül yaralanmalara neden olabilecek durum tehlikelerini önlemek için tıbbi implant kullanan kişiler bu ürünü kullanmadan önce doktoruna ya da implant üreticisine başvurmalıdır.**

#### Kablo

Uzatma kabloları kullanırken bunlar aşağıdaki tablodaki asgari kesitlere uygun olmalıdır:

Gerilim	Kablo uzunluğu	Kesit
230 – 240 V/50 Hz	20 metreye kadar	1,5 mm <sup>2</sup>
230 – 240 V/50 Hz	20 – 50 m	2,5 mm <sup>2</sup>



#### TEHLİKE! Elektrik çarpması!

**Kesilmiş bir elektrik fişi nedeniyle elektrik kablosu üzerinden elektrik sahası içine sıvı girebilir ve kısa devreye neden olabilir.**

→ Elektrik fişini asla kesmeyiniz (örn. duvar içinden geçirmek için).

→ Fişi kablodan değil, prize takılı fiş gövdesinden çekiniz.

→ Bu cihazın şebeke bağlantı hattı hasar görürse, tehlikeleri önlemek için üretici veya müşteri hizmetleri veya benzer kalifikasyonlara sahip bir kişi tarafından değiştirilmelidir.

Elektrik fişi ve uzatma kabloları su sıçramalarından korunmalıdır.

Elektrik bağlantılarının, kuru ve su basmasına karşı korumalı bir alanda yapılma-sına dikkat ediniz.

Fişi ve güç kablosunu sıcağtan, yağdan ve keskin köşelerden koruyunuz.

Pompanın tür plakası üzerindeki bilgilerin, elektrik tesisatının teknik bilgileriyle uyumu gerekmektedir.

Havuzdayken veya suyun yüzeyine temas ederken, pompanın şebeke fişi mutlaka prizden çekilmiş olmalıdır.

Güç kablosu pompayı çekmek ya da yerleştirmek için kesinlikle kullanılmamalıdır.

Pompanın daldırılması veya yukarı çekilmesi ve emniyete alınması için bir sabitleme halatı kullanılmalıdır.

Bağlantı hattının düzenli aralıklarla kontrol edilmesi gereklidir.

Kullanmadan önce, pompayı (özellikle şebeke kablosunun ve fişin) daima gözle kontrol ediniz.

Hasarlı pompalar kesinlikle kullanılmamalıdır. Hasar görülmesi durumunda lütfen pompanın GARDENA Servis Merkezimiz tarafından kontrol edilmesini sağlayınız.

Montaj talimatı: Tüm civataları tekrar elle sıkın.

Bakımdan sonra kullanımdan önce tüm parçaların vidalandığından emin olun.

Pompalarımız bir alternatör ile kullanıldığında, alternatör üreticisinin uyarı talimatları dikkate alınmalıdır.

#### Kişisel güvenlik



#### TEHLİKE! Boğulma tehlikesi!

**Küçük parçalar kolayca yutulabilir. Polietilen torba nedeniyle küçük çocuklar için boğulma tehlikesi söz konusudur. Küçük çocukları montaj sırasında uzak tutun.**

Pompa verileri uyarınca asgari su seviyesini dikkate alın.

Pompayı kapalı basınçta 10 dakikadan fazla çalıştırmayınız.

Kum ve aşındırıcı maddeler pompanın daha çabuk aşınmasına ve gücünün azalmasına neden olur.

Şamandıra şalterine sadece suyun dışındayken basılmalıdır.

Hortum, çalışma sırasında çekilmemelidir.

Hataları gidermeden önce pompayı soğumaya bırakın.

Pompa, monte edilmiş dirsekli boru bağlantısı olmadan değiştirilmemelidir.

tr

## 2. MONTAJ



#### TEHLİKE! Yaralanma!

**Ürün istemeden çalışırsa yaralanma tehlikesi söz konusudur.**

→ Ürünü, monte etmeden önce akım beslemesinden ayırın.

#### Dirsekli boru bağlantısını pompaya vidalayın [Şek. A1]:



#### TEHLİKE! Yaralanma!

**Hareket çarkı nedeniyle kesik yaralanması.**

→ Pompayı sadece dirsekli boru bağlantısı ile çalıştırın.

→ Dirsekli boru bağlantısını ① saat yönünde pompaya vidalayın.

Hortum, pompa bağlantısı ① ve bağlantı nipelini ② [25 mm (1") ve 38 mm (1 1/2") veya GARDENA bağlantı sistemi [13 mm (1/2")/16 mm (5/8")/19 mm (3/4")] üzerinden bağlanabilir. 38 mm'lik (1 1/2") bir hortum kullanıldığında pompa azami besleme kapasitesine sahiptir.

#### Hortumu bağlantı nipelini üzerinden bağlayınız [Şek. A2/A3/A4]:

Bağlantı nipelini ② üzerinden 25 mm (1") ve 38 mm (1 1/2") hortumlar bağlanabilir.

Hortum çapı	25 mm (1")	38 mm (1 1/2")
GARDENA Hortum kelepçesi	Ürün 7193	Ürün 7195
Hortum bağlantısı [Şek. A2]	Nipelini ayırmayınız [Şek. A3].	Nipelini ① ayırınız [Şek. A4].

Bağlantı nipeli ② üzerinden bağlanan 25 mm (1") ve 38 mm (1 1/2")-hortumlar, örn. bir **GARDENA hortum kelepçesi ürün 7193/7195** ile sabitlenmelidir.

1. Dirsekli boru bağlantısını saat yönünde pompaya vidalayın.
2. Bağlantı nipelini ② pompa bağlantısına ① vidalayın. (38 mm'lik (1 1/2") hortumlarda bağlantı nipelini ② önce ⑥'deki oluk içerisinden ayırın.
3. Hortumu bağlantı nipeline ② itin ve bunu, örneğin bir **GARDENA hortum kelepçesi ürün 7193/7195** ile sabitleyin.

### **Hortumu GARDENA geçme sistemi üzerinden bağlayınız [Şek. A5]:**

Taşıma miktarında performans düşüşüne neden olacağından, 19 mm'den (3/4") düşük hortum çapı kullanılmasını önermiyoruz.

Hortum çapı	Pompa bağlantısı
19 mm (3/4")	GARDENA Pompa bağlantı parçası Ürün 1752

→ Hortumu, ilgili GARDENA bağlantı sistemi üzerinden bağlayın.

## 3. KULLANIM



### **TEHLİKE! Yaralanma!**

**Ürün istemeden çalışırsa yaralanma tehlikesi söz konusudur.**

→ **Ürünü, bağlamadan, ayarlamadan veya taşımadan önce akım beslemesinden ayırın.**

### **Su pompalamak:**

Pompa, tutamağı üzerinden su rezervuarına daldırılmıyorsa, her zaman bir halat ile kuyuya veya su rezervuarına daldırılmalıdır. Devreye alımda asgari daldırma derinliği bkz. 7. TEKNİK ÖZELLİKLER.

Pompa, emme ayağı üzerindeki giriş açıklıkları kirlenmeler nedeniyle tamamen veya kısmen bloke olmayacak şekilde kurulmalıdır.

Pompa, gölette, örneğin bir tuğla üzerine yerleştirilmelidir.

1. Pompayı su rezervuarına daldırın.
2. Pompayı akım beslemesine bağlayın.  
*Dikkat! Pompa hemen çalışır.*

### **Şamandıra şalteri ile otomatik işletim [Şek. O1]:**

**Basılan sıvı olmadığında pompanın otomatik olarak kapatılması için şamandıra şalterinin ③ su yüzeyinde serbest şekilde hareket etmesi gerekir.**

### **Yüksekliklerinin Ayarlanması [Şek. O1]:**

Maksimum açma yüksekliği ve minimum kapatma yüksekliği (bkz. 7. TEKNİK ÖZELLİKLER) şamandıra

şalterinin kablosunu şamandıra şalteri sabitlemesine iterek uyarlanabilir.

- Şamandıra şalteri ③ ile şamandıra şalteri kilidi ④ arasındaki kablo ne kadar kısa olursa, açma yüksekliği o kadar alçak ve kapatma yüksekliği o kadar yüksek olur.

→ Şamandıra şalterin ③ kablosunu şamandıra şalteri kilidinin ④ açıklığına bastırın.



### **DİKKAT!**

**Şamandıra şalterinin açılıp kapatılabilmesi için şamandıra şalteri ve şamandıra şalteri sabitlemesinin arasındaki kablo uzunluğu min. 10 cm olmalıdır.**

### **Manuel işletim [Şek. O2]:**

**Şamandıra şalteri baypas edildiği için, pompa sürekli çalışır.**

1. Şamandıra şalterini ③, kablo aşağıya doğru şamandıra şalteri sabitlemesinin ④ üzerine itin.
2. Pompayı, devrilmeyecek bir şekilde suya yerleştirin.
3. Pompayı akım beslemesine bağlayın.  
*Dikkat! Pompa hemen çalışır.*

Şamandıra şalteri otomatik işletimde pompayı zaten zamanında kapattığı için, kalan asgari su yüksekliğine (bkz. 7. TEKNİK ÖZELLİKLER) sadece manuel işletimde ulaşılır.

## 4. BAKIM



### **TEHLİKE! Yaralanma!**

**Ürün istemeden çalışırsa yaralanma tehlikesi söz konusudur.**

→ **Ürünü, bakımını yapmadan önce akım beslemesinden ayırın.**

### **Pompayı durulayın:**

Klorlu suyun pompalanmasından sonra pompa durulanmalıdır.

1. Pompalanan su berraklaşana kadar hafif bir temizlik maddesi ilavesiyle (örn. deterjan) ılık su (en fazla 35 °C) pompalayın.
2. Artıkları atık imha yasası yönetmelikleri uyarınca imha edin.

## 5. DEPOLAMA

### Devre dışına çıkarma:

#### Pompa, dona karşı dayanıklı değildir!

Ürün çocukların erişemeyeceği yerlerde muhafaza edilmelidir.

1. Pompayı akım beslemesinden ayırın.
2. Artık su akmayana kadar pompayı baş aşağı çevirin.
3. Pompayı temizleyin (bkz. 4. BAKIM).
4. Pompayı kuru, kapalı ve donmaya karşı emniyetli bir yerde muhafaza edin.

### Ürünün tasfiyesi:

(2012/19/AB sayılı yönetmelik uyarınca)



Ürün normal ev çöpü ile birlikte tasfiye edilmemelidir. Geçerli yerel çevre koruma talimatları uyarınca tasfiye edilmelidir.

### ÖNEMLİ!

→ Ürünü geri dönüşüm toplama noktaları üzerinden atığa ayırın.

## 6. HATA GİDERME



### TEHLİKE! Yaralanma!

Ürün istemeden çalışırsa yaralanma tehlikesi söz konusudur.

→ Ürünün hatalarını gidermeden önce ürünü akım beslemesinden ayırın.

### Emme ayağının ve hareket çarkının temizlenmesi [Şek. T1]:

1. 4 yıldız civatayı ④ sökün.
2. Emme ayağını ⑤ pompadan çekip alın.
3. Emme ayağını ⑤ ve hareket çarkını ⑥ temizleyin (bu bakım çalışmalarından dolayı garanti iptal olmaz).
4. Emme ayağını ⑤ tekrar takın.
5. 4 yıldız civatayı ④ tekrar vidalayın.

**Hasarlı bir hareket çarkı güvenlik nedenlerinden dolayı sadece GARDENA servisi tarafından değiştirilebilir.**

Sorun	Muhtemel neden	Çözümü
<b>Pompa çalışıyor, ancak su taşıyor</b>	Basma hattı kapalı olduğu için hava çıkamıyor. (Örn. bükülmüş basma hortumu).	→ Basınç hattını açın. (Örn. kapatma valfi, dışarı çıkarma cihazları).
	Emiş ayağında hava yastığı.	→ Pompanın havası kendi kendine çıkana kadar yakl. 60 saniye bekleyin (gerekirse bir kaç defa kapatın/ açın).
	Emme deliği tıkalıdır.	→ Emme deliğini tazyikli su ile temizleyin.
	Hortum tıkalı.	→ Hortumdaki tıkanıklığı giderin.
	Hareket çarkı bloke edilmiş.	→ Emme ayağını ve hareket çarkını temizleyin.
Pompayı çalıştırırken su seviyesi minimum su seviyesinin altında kalmış.	→ Pompayı daha derine daldırın.	
<b>Pompa çalışmıyor veya çalışma sırasında aniden duruyor</b>	Termik koruma şalteri aşırı ısınma nedeniyle pompayı kapattı.	→ Emme deliğini temizleyin. Azami sıvı sıcaklığına dikkat edin (35 °C).
	Pompada elektrik yok.	→ Sigortaları ve elektrikli soket bağlantılarını kontrol edin.
	RCD şalteri devreye girdi (hatalı akım).	→ Pompayı akım beslemesinden ayırın ve GARDENA servisine başvurun.
<b>Pompa çalışıyor fakat randıman aniden düşüyor</b>	Emme deliği tıkalıdır.	→ Emme deliğini tazyikli su ile temizleyin.
	Hortum tıkalı.	→ Hortumdaki tıkanıklığı giderin.



**BİLGİ:** Farklı arıza durumlarında lütfen GARDENA servis merkezine başvurun. Onarım çalışmaları sadece GARDENA servis merkezleri veya GARDENA tarafından yetkilendirilen uzman bayiler tarafından gerçekleştirilebilir.



## 7. TEKNİK ÖZELLİKLER

<i>Dalgıç pompası</i>	<b>Birim</b>	<b>Değer (Ürün 9000)</b>	<b>Değer (Ürün 9001)</b>	<b>Değer (Ürün 9007)</b>	<b>Değer (Ürün 9008)</b>
<b>Nominal güç</b>	W	250	400	250	400
<b>Şebeke gerilimi</b>	V (AC)	230	230	230	230
<b>Şebeke frekansı</b>	Hz	50	50	50	50
<b>Maks. basma miktarı</b>	l/h	8200	8600	9200	10.500
<b>Maks. basınç/ Maks. tahliye kafası</b>	bar / m	0,5 5,0	0,55 5,5	0,4 4,0	0,5 5,0
<b>Maks. dalış derinliği</b>	m	6	6	6	6
<b>Asgari / azami açma yüksekliği</b>	cm	23 / 50	23 / 50	26 / 45	26 / 45
<b>Asgari / azami kapatma yüksekliği</b>	cm	7 / 20	7 / 20	11 / 16	11 / 16
<b>Kalan su yüksekliği</b>	mm	4	4	25	25
<b>Azami tanecik çapına sahip kirli su</b>	mm	5	5	25	25
<b>Çalıştırma için minimum su derinliği (yakl.)</b>	cm	25	25	50	50
<b>Bağlantı kablosu</b>	m	10 (H05RN-F)	10 (H05RN-F)	10 (H05RN-F)	10 (H05RN-F)
<b>Ağırlık kablolu (yakl.)</b>	kg	2,55	2,85	2,55	2,9
<b>Maks. madde sıcaklığı</b>	°C	35	35	35	35

## 8. AKSESUAR/YEDEK PARÇALAR

<b>GARDENA Hortum kelepçesi</b>	25 mm (1") hortumlar için bağlantı nipeli üzerinden.	<b>Ürün 7193</b>
<b>GARDENA Hortum kelepçesi</b>	38 mm (1 1/2") hortumlar için bağlantı nipeli üzerinden.	<b>Ürün 7195</b>
<b>GARDENA Pompa bağlantı parçası</b>	19 mm (3/4") hortumlar için GARDENA geçme sistemi üzerinden.	<b>Ürün 1752</b>
<b>GARDENA Düz hortum seti</b>	Hortum kelepçeli 10 m 38 mm (1 1/2") hortum.	<b>Ürün 5005</b>

## 9. SERVİS

Servis departmanımızın güncel iletişim bilgileri çevrimiçi olarak bulunabilir:

[www.gardena.com/contact](http://www.gardena.com/contact)

tr

# GARDENA Потопяема помпа за чиста вода / Потопяема помпа за мръсна вода

1. УКАЗАНИЯ ПО ТЕХНИКА НА БЕЗОПАСНОСТ . . .	74
2. МОНТАЖ . . . . .	76
3. ОБСЛУЖВАНЕ . . . . .	76
4. ТЕХНИЧЕСКО ОБСЛУЖВАНЕ . . . . .	77
5. СЪХРАНЕНИЕ . . . . .	77
6. ОТСТРАНЯВАНЕ НА ПОВРЕДИ . . . . .	77
7. ТЕХНИЧЕСКИ ДАННИ . . . . .	78
8. АКСЕСОАРИ/РЕЗЕРВНИ ЧАСТИ . . . . .	79
9. СЕРВИЗ . . . . .	79

## Превод на оригиналната инструкция.



Този продукт може да се използва от деца на възраст от 8 години и по-големи и лица с намалени физически, сетивни или умствени способности или липса на опит и познания, когато те са под надзор или са били инструктирани относно безопасната употреба на продукта и разбират произтичащите от това рискове. Деца не трябва да играят с продукта. Почистване и потребителска техническа поддръжка не трябва да се извършва от деца без надзор. Препоръчваме използването на продукта да се извършва от лица над 16 годишна възраст. Никога не работете с продукта, когато сте уморени,

болни или под въздействието на алкохол, наркотици или лекарства.

### Употреба по предназначение:

Потопяемата дренажна помпа GARDENA е предназначена за отводняване при наводнения, но и за препомпване и изпомпване на резервоари, за извличане на вода от кладенци и шахти, за отводняване на лодки и яхти, както и за временна водна аерация и циркулация и за изпомпване на хлорирана вода в частни и хоби градини.

### Изпомпвани течности:

С потопяемата дренажна помпа GARDENA може да бъде изпомпвана само вода.

Помпата е напълно потопяема (капсулована е херметично) и се потапя във водата (макс. дълбочина на потапяне виж 7. ТЕХНИЧЕСКИ ДАННИ).

Продуктът е предназначен за изпомпване на следните течности:

- **Потопяема помпа за чиста вода:** чиста до леко замърсена вода с макс. диаметър на частиците от 5 мм.
- **Потопяема помпа за мръсна вода:** мръсна вода с макс. диаметър на частиците от 25 мм.

Продуктът не е подходящ за продължителна експлоатация (режим на непрекъсната циркулация).



### ОПАСНОСТ! Контузии!

→ Не трябва да се изпомпват солена вода, разяждащи, лесно запалими или експлозивни вещества (напр. бензин, керосин или нитро-разтвор), масла, котелно гориво и хранителни продукти.

## 1. УКАЗАНИЯ ПО ТЕХНИКА НА БЕЗОПАСНОСТ

bg

### ВАЖНО!

Прочетете внимателно инструкцията за експлоатация и я запазете за бъдещи справки.

Символи върху продукта:



Прочетете инструкцията за експлоатация.

Общи указания по техника на безопасност

Безопасност на електрическите уреди



**ОПАСНОСТ! Токов удар!**

Опасност от нараняване от електрически ток.

→ Продуктът трябва да бъде захранен с електричество през автоматичен прекъсвач, действащ при повреда или изтичане на ток (RCD) с номинален ток на изключване от максимум 30 mA.



**ОПАСНОСТ! Опасност от нараняване!**

Опасност от нараняване от електрически ток.

→ Изключете продукта от електрическата мрежа, преди да извършите техническо обслужване или да замените детайли. Контактът трябва да бъде в зоната на зрителното Ви поле.

### По-безопасна работа

Температурата на водата не трябва да превишава 35 °С.

Помпата не трябва да бъде използвана, когато във водата има хора.

Замърсяване на течността може да бъде причинено от изтичане на смазочни материали.

Дръжте трети лица далеч от водата.

Използвайте помпата само с ъглова приставка.

### Защитен прекъсвач

#### Защитен термпрекъсвач:

В случай на претоварване, помпата се изключва посредством вградената термична защита на мотора. След достатъчно охлаждане на мотора, помпата отново е готова за работа.

### Автоматично обезвъздушаване

Тази помпа е снабдена с клапан за обезвъздушаване, който премахва евент. налична въздушна възглавница в помпата. По функционални причини може странично по корпуса да излезе малко количество вода.

### Допълнителни указания по техника на безопасност

#### Безопасност на електрическите уреди



#### ОПАСНОСТ! Сърдечен арест!

Този продукт образува електромагнитно поле по време на работа. Това поле може при определени обстоятелства да окаже влияние върху начина на функциониране на активни или пасивни медицински импланти. За да се изключи рискът от ситуации, които биха могли да доведат до тежки или смъртоносни наранявания, лицата с медицински имплант трябва преди употреба на този продукт да се консултират със своя лекар и производителя на импланта.

#### Кабели

При използване на удължителни кабели, същите трябва да отговарят на минималните сечения в следващата таблица:

Напрежение	Дължина на кабела	Сечение
230 – 240 В/50 Гц	До 20 м	1,5 мм <sup>2</sup>
230 – 240 В/50 Гц	20 – 50 м	2,5 мм <sup>2</sup>



#### ОПАСНОСТ! Токов удар!

От счупен щепсел може през кабела да попадне влага в електрическата зона и да предизвика късо съединение.

→ В никакъв случай не прерязвайте щепсела (напр. за да го прекарате през стената).

→ Не издърпвайте щепсела за кабела, а го изваждайте от контакта като дър- жите щепсела за тялото.

→ Ако захранващият кабел на този уред се повреди, за да се избегнат рискове, той трябва да бъде заменен от произво- дителя, негов сервизен представител или лице с подобна квалификация.

Щепсела за ел. мрежа и ел. съединения трябва да бъдат обезопасени от намокряне.

Уверете се, че електрическите връзки са поставени в зона обезопасена от наводняване.

Пазете щепсела и захранващия кабел от топлина, масло и остри ръбове.

Внимавайте за напрежението на ел. мрежа. Данните върху фирмената табелка трябва да съответстват с данните на електрическата мрежа.

При престой в басейни или при докосване на повърхността на водата, щепселът на помпата трябва задължително да бъде изключен.

Захранващият кабел не трябва да се използва за закрепване или пренасяне на помпата.

При потапяне или изваждане и обезопасяване на помпата трябва да бъде използвано укрепващо въже.

Проверявайте редовно свързващия кабел.

Винаги преди употреба на помпата извършвайте визуална проверка (особено на кабела и щепсела).

Повредена помпа не трябва да бъде използвана. В случай на повреда помпата непременно трябва да бъде проверена от сервиз на GARDENA.

Инструкция за сглобяване: Затегне отново всички винтове на ръка.

Преди употреба след техническо обслужване се уверете, че всички части са завинтени.

Когато използвате нашите помпи с генератор, трябва да се спазват предупредителните указания на производителя на генератора.

### Лична безопасност



#### ОПАСНОСТ! Опасност от задушаване!

Дребните детайли могат лесно да бъдат погълнати. Полиетиленовата торба представлява опасност от задушаване за малките деца. Дръжте малките деца далеч по време на монтажа.

Обърнете внимание на минималното ниво на водата съгласно характеристиките на помпата.

Не оставяйте помпата да работи повече от 10 минути срещу затворена напорна страна.

Пясък и други абразивни вещества водят до побързо износване и намаляване на мощността.

Поплавъчния прекъсвач може да бъде обслужван само извън водата.

Маркучът не трябва да се сваля по време на работа.

Оставете помпата да се охлади преди отстраняване на повреди.

Помпата не трябва да бъде използвана без монтажната ъглова приставка.

## 2. МОНТАЖ



### ОПАСНОСТ! Контузии!

Риск от нараняване ако продуктът се включи неволно.

→ Изключете продукта от електрозахранването, преди да сглобите продукта.

**Завинтване на ъгловата приставка в помпата [фиг. А1]:**



### ОПАСНОСТ! Контузии!

Контузия чрез порязване от работното колело.

→ Използвайте помпата само с ъглова приставка.

→ Завинтете ъгловата приставка ① по часовниковата стрелка в помпата.

Маркучът може да бъде свързан чрез помпена връзка ① и свързващ нипел ② [25 mm (1") и 38 mm (1 1/2")] или чрез бърза връзка GARDENA [13 mm (1/2")/16 mm (5/8")/19 mm (3/4")]. Когато се използва 38 mm (1 1/2")-маркуч, помпата има максимална производителност на подаване.

**Свързване на маркуча чрез найкрайник за свързване [фиг. А2/А3/А4]:**

Чрез найкрайника за свързване ② могат да бъдат свързани 25 mm (1")- и 38 mm (1 1/2")-маркучи.

Диаметър на маркуча	25 mm (1")	38 mm (1 1/2")
GARDENA скоба за маркуч	Арт. 7193	Арт. 7195
Свързване на маркуч [фиг. А2]	Не отделяйте найкрайника [фиг. А3].	Отделете найкрайника при ① [фиг. А4].

25 mm (1")- и 38 mm (1 1/2")-маркучи, които се свързват чрез найкрайник за свързване ②, трябва да бъдат стегнати напр. с GARDENA скоба за маркучи Арт. 7193/7195.

1. Завинтете ъгловата приставка по часовниковата стрелка в помпата.
2. Завинтете свързващия нипел ② върху помпената връзка ①. (При 38 mm (1 1/2")-маркучи първо разкачете свързващия нипел ② в жлеба при ①.)
3. Пъхнете маркуча върху свързващия нипел ② и го закрепете, например с GARDENA скоба за маркуч Арт. 7193/7195.

**Свързване на маркуча чрез система за свързване GARDENA [фиг. А5]:**

Препоръчваме да не се използват маркучи с диаметър по-малък от 19 mm (3/4"), защото в противен случай ще се стигне до понижаване на производителността при изпомпване на течността.

Диаметър на маркуча	Помпена връзка	
19 mm (3/4")	GARDENA Комплект за свързване към помпа	Арт. 1752

→ Свържете маркуча посредством съответната бърза връзка GARDENA.

## 3. ОБСЛУЖВАНЕ



### ОПАСНОСТ! Контузии!

Риск от нараняване ако продуктът се включи неволно.

→ Изключете продукта от електрозахранването, преди да свържете, настройвате или пренастройвате продукта.

**Изпомпване на вода:**

Ако помпата не може да бъде потопена в резервоара за вода посредством дръжката, помпата трябва винаги да бъде потопяна в кладенеца или резервоара за вода посредством въже. Минимална дълбочина на потапяне при работа виж 7. ТЕХНИЧЕСКИ ДАННИ.

Помпата трябва да бъде монтирана така, че входните отвори при смукателната основа да не са запушени изцяло или частично от замърсяване.

В езерцето помпата може да бъде поставена напр. върху тухла.

1. Потопете помпата в резервоара за вода.

2. Свържете помпата с електрозахранването.  
*Внимание! Помпата стартира веднага.*

**Автоматичен режим с поплавъчен прекъсвач [фиг. О1]:**

За да изключи автоматично помпата при липса на вода, поплавъчният прекъсвач ③ трябва да може да се движи свободно върху повърхността на водата.

**Настройка на височината за включване и изключване [фиг. О1]:**

Максималната височина на включване и минималната височина на изключване (виж 7. ТЕХНИЧЕСКИ ДАННИ) могат да бъдат настроени, като кабела на поплавъчния прекъсвач бъде вкаран във фиксиращото устройство на поплавъчния прекъсвач ④.

- Колкото по-къс е кабелът между поплавъчния прекъсвач ③ и ключалката на поплавъчния прекъсвач ④, толкова по-малка е височината на

включване и толкова по-голяма е височината на изключване.

- Натиснете кабела на поплавъчния прекъсвач ③ в отвора на ключалката на поплавъчния прекъсвач ④.



#### **ВНИМАНИЕ!**

За да се гарантира включването и изключването на поплавъчния прекъсвач, дължината на кабела между поплавъчния прекъсвач и фиксиращото устройство на поплавъчния прекъсвач трябва да е мин. 10 см.

#### **Ръчен режим [фиг. 02]:**

**Помпата е в режим на непрекъсната работа, защото поплавъчният прекъсвач е шунтиран.**

1. Пъхнете поплавъчния прекъсвач ③ с кабела надолу върху ключалката на поплавъчния прекъсвач ④.
2. Поставете помпата в стабилно положение във водата.
3. Свържете помпата с електрозахранването.  
*Внимание! Помпата стартира веднага.*

Мин. височина на остатъчна вода (виж 7. ТЕХНИЧЕСКИ ДАННИ) се достига само в ръчен режим, тъй като поплавъчния прекъсвач изключва помпата предварително в автоматичен режим.

## 4. ТЕХНИЧЕСКО ОБСЛУЖВАНЕ



#### **ОПАСНОСТ! Контузии!**

Риск от нараняване ако продуктът се включи неволно.

- Изключете продукта от електрозахранването, преди да извършите техническо обслужване на продукта.

#### **Промяна на помпата:**

След изпомпване на хлорирана вода, помпата трябва да бъде промита.

1. Помпайте хладка вода (макс. 35 °C) евент. като добавите мек почистващ препарат (напр. препарат за измиване на съдове), докато изпомпваната вода стане бистра.
2. Изхвърлете остатъците съгласно указанията на Закона за отстраняване на отпадъците.

## 5. СЪХРАНЕНИЕ

#### **Сваляне от експлоатация:**

Помпата не е устойчива на замръзване!

Продуктът трябва да бъде съхраняван на недостъпно за деца място.

1. Изключете помпата от електрозахранването.
2. Обърнете помпата обратно надолу, докато спре да изтича вода.
3. Почистете помпата (виж 4. ТЕХНИЧЕСКО ОБСЛУЖВАНЕ).
4. Съхранявайте помпата на сухо, затворено и защитено от замръзване място.

#### **Изхвърляне на продукта:**

(съгласно Директива 2012/19/ЕС)



Продуктът не трябва да бъде изхвърлян заедно с обикновените битови отпадъци. Той трябва да бъде изхвърлен съгласно действащите местни разпоредби за опазване на околната среда.

#### **ВАЖНО!**

- Изхвърлете продукта на или чрез Вашия местен събирателен пункт за рециклиране.

## 6. ОТСТРАНЯВАНЕ НА ПОВРЕДИ



#### **ОПАСНОСТ! Контузии!**

Риск от нараняване ако продуктът се включи неволно.

- Изключете продукта от електрозахранването, преди да отстраните повреди по продукта.

**Почистване на смукателната основа и работното колело [фиг. T1]:**

1. Развийте 4-те винта с кръстата глава ④.
2. Извадете смукателната основа ⑤ от помпата.

3. Почистете смукателната основа ⑤ и работното колело ⑥ (това техническо обслужване не отменя гаранцията).
4. Поставете смукателната основа ⑤ отново.
5. Завинтете отново 4-те винта с кръстата глава ④.

**От съображения за безопасност повредено работно колело може да бъде заменено само от сервиза на GARDENA.**

Проблем	Възможна причина	Отстраняване
<b>Помпата работи, но не изпомпва вода</b>	Въздухът не може да излезе, защото напорния тръбопровод е затворен. (Евент. пречупен напорен маркуч).	→ Отворете напорния тръбопровод. (напр. спирателен кран, устройства за разпръскване).
	Въздушна възглавница в смукателната пета.	→ Изчакайте около 60 секунди, докато помпата се обезвъздуши сама (при нужда изключете/включете).
	Отворът за засмукване е задръстен.	→ Почистете с водна струя отвора за засмукване.
	Маркучът е задръстен.	→ Премахнете задръстването в маркуча.
	Работното колело е блокирало.	→ Почистете смукателната основа и работното колело.
	Нивото на водата при въвеждане в експлоатация е под минималното ниво на водата.	→ Потопете помпата по-дълбоко.
<b>Помпата не тръгва или спира внезапно по време на работа</b>	Защитният терморекъсвач е изключил помпата поради претоварване.	→ Почистете отвора за засмукване. Внимавайте за максималната температура на течността (35 °C).
	Помпата няма ток.	→ Проверете предпазителите и електрическите конектори.
	Защитният прекъсвач е сработил (утечен ток).	→ Изключете помпата от електрическата мрежа и се обърнете към сервиз на GARDENA.
<b>Помпата работи, но дебита внезапно пада</b>	Отворът за засмукване е задръстен.	→ Почистете с водна струя отвора за засмукване.
	Маркучът е задръстен.	→ Премахнете задръстването в маркуча.



**УКАЗАНИЕ:** При други повреди се обръщайте към Вашия сервизен център на GARDENA. Ремонтите трябва да бъдат изпълнявани само от сервизният център на GARDENA, както и от специализираните търговци, които са оторизирани от GARDENA.

## 7. ТЕХНИЧЕСКИ ДАННИ

Потопяемата дренажна помпа	Мярка	Стойност (Арт. 9000)	Стойност (Арт. 9001)	Стойност (Арт. 9007)	Стойност (Арт. 9008)
<b>Номинална мощност</b>	W	250	400	250	400
<b>Напрежение на мрежата</b>	V (AC)	230	230	230	230
<b>Честота на мрежата</b>	Hz	50	50	50	50
<b>Макс. дебит</b>	л/ч	8200	8600	9200	10.500
<b>Макс. налягане / макс. напорна височина</b>	бар / м	0,5 / 5,0	0,55 / 5,5	0,4 / 4,0	0,5 / 5,0
<b>Макс. дълбочина на потапяне</b>	м	6	6	6	6
<b>Мин./макс. височина на включване</b>	см	23 / 50	23 / 50	26 / 45	26 / 45
<b>Мин./макс. височина на изключване</b>	см	7 / 20	7 / 20	11 / 16	11 / 16

<i>Потопяемата дренажна помпа</i>	Мярка	Стойност (Арт. 9000)	Стойност (Арт. 9001)	Стойност (Арт. 9007)	Стойност (Арт. 9008)
<b>Височина на остатъчна вода</b>	мм	4	4	25	25
<b>Мръсна вода с максимален размер на частиците</b>	мм	5	5	25	25
<b>Минимално ниво на водата при въвеждане в експлоатация (около)</b>	см	25	25	50	50
<b>Захранващ кабел</b>	м	10 (H05RN-F)	10 (H05RN-F)	10 (H05RN-F)	10 (H05RN-F)
<b>Тегло без кабел (около)</b>	кг	2,55	2,85	2,55	2,9
<b>Макс. температура на водата</b>	°C	35	35	35	35

## 8. АКЕСОАРИ/РЕЗЕРВНИ ЧАСТИ

<b>GARDENA Скоба за маркуч</b>	За 25 мм (1")-маркучи чрез накрайник за свързване.	<b>Арт. 7193</b>
<b>GARDENA Скоба за маркуч</b>	За 38 мм (1 1/2")-маркучи чрез накрайник за свързване.	<b>Арт. 7195</b>
<b>GARDENA Комплект за свързване към помпа</b>	За 19 мм (3/4")-маркучи чрез GARDENA система за свързване.	<b>Арт. 1752</b>
<b>GARDENA Комплект с плосък маркуч</b>	10 м 38 мм (1 1/2")-маркуч със скоба за маркучи.	<b>Арт. 5005</b>

## 9. СЕРВИЗ

Актуалната информация за контакт с нашия център за сервизно обслужване можете да намерите онлайн на адрес:

[www.gardena.com/contact](http://www.gardena.com/contact)

bg

# GARDENA Pompa zhytëse e ujit të pastër / Pompa zhyrëse e ujit të ndotur

1. KËSHILLA SIGURIE .....	80
2. MONTIMI .....	81
3. PËRDORIMI .....	82
4. MIRËMBAJTJA .....	82
5. MAGAZINIMI .....	83
6. NDREQJA E GABIMEVE .....	83
7. TË DHËNAT TEKNIKE .....	84
8. AKSESORË/PJESË KËMBIMI .....	84
9. SERVISI .....	84

**Përkthimi i mënyrës së përdorimit nga origjinali.**



Ky produkt mund të përdoret nga fëmijët mbi 8 vjeç si dhe nga persona me aftësi të kufizuara fizike, sensorike dhe mentale ose me mungesë përvojë dhe dijesh, nëse ato do të jenë nën monitorim ose nëse janë instruktuar në lidhje me përdorimin e sigurt të produktit dhe kuptojnë rreziqet që rezultojnë nga kjo gjë. Fëmijët nuk lejohen të luajnë me produktin. Pastrimi dhe mirëmbajtja nga ana e përdoruesit nuk lejohet të kryhet nga fëmijë nëse nuk janë në monitorim. Në këshillojmë përdorimin e produktit vetëm nga të rinjtë duke filluar nga 16 vjeç. Mos e përdorni pajisjen asnjëherë kur jeni jeni të lodhur ose të sëmurë nën efektin ose

nën efektin e substancave narkotike, alkoolit apo medikamenteve.

## **Përdorimi i parashikuar:**

**GARDENA Pompa zhytëse** është projektuar për drenazhimin gjatë përmbytjeve, por edhe për mbushjen dhe zbrazjen e depozitave, për nxjerrjen e ujit nga burimet dhe pusët për drenazhimin e anijeve dhe jahteve, si dhe për ventilimin dhe qarkullimin e ujit të kufizuar në kohë dhe për pompimin e ujit me përmbajtje klori në shtëpinë private dhe kopshtet hobi.

## **Lëngjet për t'u pompaur:**

Me GARDENA pompë zhytëse duhet të pompohet vetëm ujë. Pompa është tërësisht zhytëse (hermetikisht e mbyllur) dhe zhytet në ujë (thellësia maks. e zhytyes shih 7. TË DHËNAT TEKNIKE).

Produkti është i përshtatshëm për pompimin e lëngjeve të mëposhtme:

- **Pompa zhytëse e ujit të pastër:** ujë të pastër deri pak të ndotur me një diametër maks. të kokrrizës 5 mm.
- **Pompa zhyrëse e ujit të ndotur:** ujë të ndotur me një diametër maks. të kokrrizës 25 mm.

Produkti nuk është i përshtatshëm për një përdorim për një kohë të gjatë (riqarkullim i vazhdueshëm).



## **RREZIK! Plagosje!**

→ **Nuk duhet të pompohen ujë me kripë, lëngje gërryes, lehtësisht të djegshme, agresive ose lëngje shpërthyes (p.sh. benzina, nafta ose holluesi nitrogjeni), vajra, vaj ngrohjeje dhe ujë për konsum ushqimor.**

## 1. KËSHILLA SIGURIE

### **ME RËNDËSI!**

Lexoni me kujdes manualin e përdorimit dhe ruajeni atë që ta lexoni më vonë.

*Simbolet mbi produkt:*



Lexoni manualin e përdorimit.

*Këshilla të përgjithshme sigurie*

**Siguria elektrike**



**RREZIK! Goditja elektrike!**

**Rrezik plagosjeje nga rryma elektrike.**

→ **Produkti duhet të furnizohet me rrymë elektrike nëpërmjet një ndërprerësi diferencial (RCD) me**

**një rrymë nominative aktivizimi prej maksimumi 30 mA.**



**RREZIK! Rrezik plagosjeje!**

**Rrezik plagosjeje nga rryma elektrike.**

→ **Shkëputeni produktin nga rrjeti para se të mirëmbani ose ndërtoni pjesë. Për ta bërë këtë, priza duhet të gjendet në zonën tuaj pamore.**

### **Përdorimi i sigurt**

Temperatura e ujit nuk duhet të tejkalojë 35 °C.

Pompa nuk lejohet të përdoret kur në ujë ka njerëz.

Ndotja e lëngut mund të shkaktohet nga rrjedhja e lubrifikantëve.

Mbani palët e treta larg nga uji.

Operojeni pompën vetëm me lidhësin bërryl.



## Ndarësit e qarkut

### Ndarësi termik i qarkut:

Në rast mbingarkese, pompë fiket nga ndarësit termik të integruar të qarkut. Pas ftohjes së mjaftueshme të motorit, pompa është gati përsëri për përdorim.

### Ventilim automatik:

Kjo pompë është e pajisur me një valvul shkarkimi që eliminon çdo xhep ajri në pompë. Për arsye funksionale, një sasi e vogël uji mund të rrjedhë anash në fole.

## Këshilla sigurie shtesë

### Siguria elektrike



#### RREZIK! Pushim zemre!

Gjatë punës, ky produkt gjeneron një fushë elektromagnetike. Në kushte të caktuara, kjo fushë mund të ndikojë mbi mënyrën e funksionimit të implanta-teve mjekësore aktive ose pasive. Për të përjashtuar rrezikun e situatave që mund të shkaktojnë plagosje të rënda ose vdekjeprurëse, personat me një implantat mjekësor duhet që para përdorimit të këtij produkti të konsultohen me mjekun e tyre dhe prodhuesin e implantatit.

### Kabllo

Në rastin e përdorimit të kabllove zgjatues duhet që këto të fundit të përputhen me seksionet minimale në tabelën e mëposhtme:

Tensioni	Gjatësia e kabullit	Seksioni
230 – 240 V/50 Hz	deri 20 m	1,5 mm <sup>2</sup>
230 – 240 V/50 Hz	20 – 50 m	2,5 mm <sup>2</sup>



#### RREZIK! Goditja elektrike!

Nëpërmjet një kabloje elektrike të prerë mund të kalojë ujë në fushën elektrike dhe mund të shkaktojë një qark të shkurtër.

- Mos e prisni në asnjë mënyrë spinën (p.sh. për ta kaluar në mur).
- Mos e tërhiqni spinën nga kabloja, por hiqeni nga priza duke e tërhequr te kapaku i spinës.
- Në qoftë se linja e lidhjes në rjet të kësaj pajisjeje dëmtohet, atëherë ajo duhet zëvendësuar nga prodhuesi ose nga shërbimi për klientët apo nga një person përkatësishit i kualifikuar, në mënyrë që të mënjanohej rreziqet.

Spina dhe lidhjet e ndërmjetme duhet të jenë të mbrojtura nga spërkatja e ujit.

Sigurohuni që lidhjet elektrike të jenë larg zonës së mbuluar me ujë.

Mbroni spinën dhe kablion elektrike nga nxehtësia, vaji dhe nga cepat e mprehtë.

Kujdes tensionin. Të dhënat e pllakës së parametrave duhet të përkohën me të dhënat e rjetit elektrik.

Gjatë qëndrimit në pishina ose gjatë prekjës së sipërfaqes së ujit duhet të hiqet patjetër spina nga pompa.

Kabloja e energjisë elektrike nuk duhet të përdoret për transportin e pompës.

Për zhytjen ose për tërheqjen lart dhe sigurimit të pompës duhet të përdoret një litar shtrëngues.

Duhet të kontrolloni rregullisht kablion e lidhjes.

Përpara përdorimit kontrolloni gjithmonë me sy pompën (veçanërisht kablion e rjetit dhe spinën).

Një pompë e dëmtuar nuk duhet përdorur. Në rast dëmtimi, pompën kontrolloheni patjetër pranë servisit GARDENA. Udhëzimi i montimit: Shtrëngoni sërish me dorë të gjitha vidat.

Para përdorimit, pas mirëmbajtjes, sigurohuni që të gjitha pjesët të jenë të mbyllura.

Kur përdorni pompën tona me një gjenerator, duhet të respektohen paralajmërimet e prodhuesit të gjeneratorit.

## Siguria personale



#### RREZIK! Rreziku i mbytjes!

Pjesët e vogla mund të gëlltiten me lehtësi. Për shkak të qeseve plastike ekziston rreziku i mbytjes për fëmijë të vegjël. Mabajni larg fëmijët e vegjël gjatë montimit.

Vini re nivelin minimal të ujit në përputhje me të dhënat karakteristike të pompës.

Mos e lini pompën të punojë me gjatë se 10 minuta kundër anës së presionit të mbyllur.

Rëra dhe materialet e tjera të ashpra në lëngjet qarkuluese, çojnë në bllokim të shpejtë dhe në zvogëlimin e rendimentit të pompës.

Galexhanti mund të përdoret vetëm jashtë ujit.

Zorra nuk duhet të hiqet gjatë operimit.

Lëreni pompën të ftohet para se të ndreqni defektin.

Pompa nuk duhet të vihet në operim pa lidhësin bërryl të montuar.

## 2. MONTIMI



#### RREZIK! Plagosje!

Rrezik plagosje nëse produkti startohet pa vëmendje.

- Shkëputni produktin nga furnizimi me energji para montimit të produktit.

### Vidhosja e lidhësit bërryl në pompë [Fig A1]:



#### RREZIK! Plagosje!

Plagosje me prerje nga helika.

- Operojeni pompën vetëm me lidhësin bërryl.

→ Vidhoseni lidhësin bërryl ① në drejtim orar në pompë. Zorra mund të lidhet nëpërmjet lidhjes së pompës ① dhe niples së lidhjes ② [25 mm (1")- dhe 38 mm (1 1/2")] ose nëpërmjet sistemit të lidhjes GARDENA [13 mm (1/2)"/

16 mm (5/8")/19 mm (3/4"). Në rastin e përdorimit të një pompe 38 mm (1 1/2") pompa ka rendimentin maksimal.

### Lidhja e tubit me anë të thumbit lidhës [Fig A2/A3/A4]:

Me anë të thumbit lidhës ② mund të lidhen tuba 25 mm (1") dhe 38 mm (1 1/2").

Diametri i tubit	25 mm (1")	38 mm (1 1/2")
<b>GARDENA Fashetë zorre</b>	<b>Art. 7193</b>	<b>Art. 7195</b>
<b>Lidhja e tubit [Fig A2]</b>	Mos hiqni asnjë thumb [Fig A3].	Hiqni thumbin tek ⑥ [Fig A4].

Tuba 25 mm (1") dhe 38 mm (1 1/2"), të eilët lidhen me anë të tubit lidhës ② duhet të fiksohen p.sh. me **GARDENA fashetë zorre Art. 7193/7195**.

1. Vidhoseni lidhësin bërryl në drejtim orar në pompë.

- Vidhoseni niplën lidhëse ② në lidhjen e pompës ①. (Më përpara shkëputeni niplën lidhëse ② te zorrë 38 mm (1 1/2") në dado te ⑦).
- Shtyjeni zorrën në niplën lidhëse ② dhe fiksojeni atë p.sh. me **GARDENA fashetë zorre Art. 7193/7195**.

### Lidhja e tubit nëpërmjet sistemit ndërlihdës GARDENA [Fig A5]:

Në rekomandojmë të mos përdoret dimatetër zorre më i vogël se 19 mm (3/4"), pasi përndryshe shkaktohet uljet e performancës së sasisë së pompimit.

Diametri i tubit	Lidhja e pompës	
<b>19 mm (3/4")</b>	<b>Pjesë e pompës për lidhje GARDENA</b>	<b>Art. 1752</b>

→ Lidheni zorrën nëpërmjet sistemit përkatës të lidhjes GARDENA Stecksystem.

## 3. PËRDORIMI



### RREZIK! Plagosje!

Rrezik plagosje nëse produkti startohet pa vëmendje.

→ Shkëputni produktin nga furnizimi me energji elektrike para se të lidhni, rregulloni ose transportoni produktin.

### Pompimi i ujit:

Nëse pompa nuk mund të zhytet nëpërmjet dorezës në rezervuarin e ujit, pompa duhet të zhytet gjithmonë në burim ose në rezervuarin e ujit nëpërmjet një litari. Për thellësinë minimale të zhytjes gjatë vënies në punë shih 7. TË DHËNAT TEKNIKE.

Pompa duhet të vendoset në një mënyrë të tillë që vrimat e hyrjes në këmbën e thithjes të mos bllokohen plotësisht apo pjesërisht nga papastërtitë.

Në një pellg, pompa duhet të vendoset p.sh. mbi një tullë.

- Zhyteni pompën nënjë rezervuar uji.
- Lidheni pompën me furnizimin me energji elektrike. *Kujdes! Pompa lëviz menjëherë.*

### Përdorimi automatik me galexhant [Fig O1]:

Me qëllim që pompa të fiket automatikisht kur mbaron edhe lënda e transportueshme, duhet që çelësi i ujit ③ të lëvizë i lirë mbi sipërfaqen e ujit.

### Rregullimi i lartësisë së ndezjes dhe fikjes [Fig O1]:

Lartësia maksimale e ndezjes dhe lartësia minimale e fikjes (shihni 7. TË DHËNAT TEKNIKE) mund të përshtaten, duke shtyrë kabullin e çelësit galexhant në bllokuesin e çelësit galexhant.

- Sa më e shkurtër të jetë kabloja ndërmjet galexhantit ③ dhe bllokimit të galexhantit ④, aq më e ulët është lartësia e ndezjes dhe aq më e lartë është lartësia e fikjes.

→ Shtypni kabllon e galexhantit ③ në vrimën e bllokimit të galexhantit ④.



### VINI RE!

Në mënyrë që të garantohet fikja dhe ndezja e çelësit galexhant, gjatësia e kabullit ndërmjet çelësit galexhant dhe bllokuesit të çelësit galexhant duhet të jetë minimumi 10 cm.

### Operimi manual [Fig O2]:

**Pompa qëndron vazhdimisht në operim pasi galexhanti do të urëzohet.**

- Shtyjeni galexhantin ③ me kabllon poshtë mbi bllokimin e galexhantit ④.
- Vendoseni pompën në ujë me qëndrim të sigurt.
- Lidheni pompën me furnizimin me energji elektrike. *Kujdes! Pompa lëviz menjëherë.*

Lartësia min. e ujit të mbetur (shih 7. TË DHËNAT TEKNIKE) arrihet vetëm në operimin manual pasi në operimin automatik galexhanti e fik pompën para kohe.

## 4. MIRËMBAJTJA



### RREZIK! Plagosje!

Rrezik plagosje nëse produkti startohet pa vëmendje.

→ Shkëputni produktin nga furnizimi me energji elektrike para se ta mirëmbani produktin.

### Larja e pompës:

Pas pompimit të ujit me klor pompa duhet të lahet.

- Pomponi ujë të vakët (max 35° C) duke shtuar një detergjent të butë (p.sh. pastrues) derisa uji i pompuar të jetë i pastër.
- Asgjësoni mbejtjet sipas direktivave të ligjit për asgjësimin e mbejtjeve.

## 5. MAGAZINIMI

### Nxjerrja jashtë funksionimit:

**Pompa nuk është e mbrojtur kundër ngricës!**

**Produkti duhet të ruhet në vende jo të aksesueshme nga fëmijët.**

1. Shkëputeni pompën nga furnizimi me energji.
2. Kthejeni pompën me kokë poshtë derisa të mos rrjedhë më ujë.
3. Pstroni pompën (shih 4. MIRËMBAJTJA).
4. Ruajeni pompën në një vend të thatë, të mbyllur dhe të sigurt kundër ngricave.

### Asgjësimi i produktit:

(në përputhje me Direktivën 2012/19/EU)



Produkti nuk lejohet të asgjësohet me mbetjet normale të shtëpisë. Ai duhet të asgjësohet në përputhje me rregulloret lokale të mbrojtjes së mjedisit.

### ME RËNDËSI!

→ Asgjësojeni produktin nëpërmjet qendrës tuaj vendore të grumbullimit dhe riciklimit.

## 6. NDREQJA E GABIMEVE



**RREZIK! Plagosje!**

**Rrezik plagosje nëse produkti startohet pa vëmendje.**

→ Shkëputeni produktin nga furnizimi me energji para se të ndreqni defektin e produktit.

### Pastrimi i këmbës së thithjes dhe helikës [Fig T1]:

1. Zhvidhosni 4 vidat me kanal kryq ④.
2. Tërhiqeni lart këmbën e thithjes ⑤ nga pompa.
3. Pastroni këmbën e thithjes ⑤ dhe helikën ⑥ (për shkak të punimeve të mirëmbajtjes nuk humbet garancia).
4. Vendoseni sërish këmbën e thithjes ⑤.
5. Vidhosni sërish 4 vidat me kanal kryq ④.

**Një helikë e dëmtuar, për arsye sigurie, duhet të ndërrohet vetëm nga GARDENA Service.**

Problemi	Shkaku i mundshëm	Ndihma
<b>Pompa lëviz, por nuk pompon ujë</b>	Nuk mund të dalë ajri, për shkak se presioni është i mbyllur. (Mbase është përthyer tubi i presionit).	→ Hapni tubacionin e presionit (p.sh. valvulën ndarëse, pajisjet e pompimit).
	Flluska në këmbën thithëse.	→ Prisi rreth 60 sekonda derisa pompa të ajroset vetë (nëse nevojitet, fiken/ndizeni).
	Vrima e thithjes është bllokuar.	→ Pastrojeni vrimën e thithjes me një rrymë uji.
	Zorra është bllokuar.	→ Largoni bllokimin në zorrë.
	Hellka është bllokuar.	→ Pastroni këmbën e thithjes dhe helikën.
Niveli i ujit gjatë vënies në përdorim është nën nivelin minimal të ujit.	→ Zhyteni pompën më thellë.	
<b>Pompa nuk punon dhe ndalon papritur së funksionuari</b>	Ndarësi termik i qarkut e ka fikur pompën për shkak të mbinxehjes.	→ Pastrojeni vrimën e thithjes. Vini re temperaturën maksimale të lëngut (35° C).
	Pompa nuk ka energji elektrike.	→ Kontrolloni siguresat dhe lidhjet elektrike.
	Çelësi RCD është aktivizuar (rrymë me defekt).	→ Shkëputni pompën nga ushqimi me energji dhe kontakton GARDENA Service.
<b>Pompa funksionon, por fuqia e qarkullimit ulet papritur</b>	Vrima e thithjes është bllokuar.	→ Pastrojeni vrimën e thithjes me një rrymë uji.
	Zorra është bllokuar.	→ Largoni bllokimin në zorrë.



**KËSHILLË:** Në rast defektsh të tjera ju lutemi, drejtojuni qendrës tuaj të servisit GARDENA. Riparimet lejohen të kryhen nga qendrat e servisit GARDENA si dhe nga tregtarët e specializuar të cilët janë të autorizuar nga GARDENA.

## 7. TË DHËNAT TEKNIKE

<i>Pompa zhytëse</i>	<b>Njësia</b>	<b>Vlera (Art. 9000)</b>	<b>Vlera (Art. 9001)</b>	<b>Vlera (Art. 9007)</b>	<b>Vlera (Art. 9008)</b>
<b>Fuqia nominale</b>	W	250	400	250	400
<b>Tensioni i rrjetit</b>	V (AC)	230	230	230	230
<b>Frekuenca e rrjetit</b>	Hz	50	50	50	50
<b>Sasia maks. thithëse</b>	l/h	8200	8600	9200	10.500
<b>Presioni maks./ lartësia maks. e hedhjes së ujit</b>	bar / m	0,5 / 5,0	0,55 / 5,5	0,4 / 4,0	0,5 / 5,0
<b>Thellësia maksimale e zhytjes</b>	m	6	6	6	6
<b>Lartësia min./ maks. e ndezjes</b>	cm	23 / 50	23 / 50	26 / 45	26 / 45
<b>Lartësia min./ maks. e fikjes</b>	cm	7 / 20	7 / 20	11 / 16	11 / 16
<b>Lartësia e ujit të mbetur</b>	mm	4	4	25	25
<b>Ujë i ndotur me diametër maks. të kokrrizës</b>	mm	5	5	25	25
<b>Niveli minimal për vënie në përdorim (rreth)</b>	cm	25	25	50	50
<b>Kabloja lidhëse</b>	m	10 (H05RN-F)	10 (H05RN-F)	10 (H05RN-F)	10 (H05RN-F)
<b>Pesha pa kabllon (rreth)</b>	kg	2,55	2,85	2,55	2,9
<b>Temperatura maks. e lëndëve të qarkullueshme</b>	°C	35	35	35	35

## 8. AKSESORË/PJESË KËMBIMI

<b>GARDENA Fashetë zorre</b>	Për tuba 25 mm (1") me anë të thumbit lidhës.	<b>Art. 7193</b>
<b>GARDENA Fashetë zorre</b>	Për tuba 38 mm (1 1/2") me anë të thumbit lidhës.	<b>Art. 7195</b>
<b>GARDENA Pjesë pompe për lidhje</b>	Për tuba 19 mm (3/4") me anë të sistemit ndërlidhës GARDENA.	<b>Art. 1752</b>
<b>GARDENA Set i zorrës së rrafshët</b>	Zorrë 10 m 38 mm (1 1/2") me kapëse zorre.	<b>Art. 5005</b>

bs

## 9. SERVIISI

Informacioni aktual i kontaktit për departamentin tonë të shërbimit mund të gjendet në internet:

[www.gardena.com/contact](http://www.gardena.com/contact)

# GARDENA Selge vee sukelpump/Reovee sukelpump

1. OHUTUSJUHISED .....	85
2. MONTAAŽ .....	86
3. KÄSITSEMINE .....	87
4. HOOLDUS .....	87
5. HOIULEPANEK .....	88
6. TÖRGETE KÕRVALDAMINE .....	88
7. TEHNILISED ANDMED .....	89
8. LISATARVIKUD/VARUOSAD .....	89
9. TEENINDUS .....	89

## Instruktsioonide algupärandi tõlge.



Seda toodet võivad kasutada vähemalt 8 aasta vanused ja vanemad lapsed ning piiratud füüsiliste, sensoorsete või vaimsete võimetega isikud ning puudulike kogemuste ja teadmistega isikud, kui neil on järelevaataja või kui neid on toote turvalise kasutamise osas juhendatud ning nad mõistavad sellest tulenevaid ohtusid. Lapsed ei tohi tootega mängida. Puhastust ega kasutaja poolset hooldust ei tohi lapsed teha ilma järelevaatajata. Me soovitame, et toodet kasutaks vähemalt 16-aastased isikud. Ärge mitte kunagi kasutage antud toodet,

kui te olete väsinud, haige või alkoholi, uimastite või ravimite mõju all.

### Otstarbele vastav kasutamine:

**GARDENA Sukelpump** on ette nähtud vee eemaldamiseks ülejuttuste korral, aga ka mahutitest ümber- ja väljapumpamiseks, vee võtmiseks kaevudest ja šahtidest, vee eemaldamiseks paatidest ja jahtidest ning ajaliselt piiratud vee aereerimiseks ja tsirkulatsiooniks ning klooritud vee pumpamiseks era- ja harrastusaedades.

### Pumbatavad vedelikud:

GARDENA sukelpumbaga tohib pumbata ainult vett.

Pumba korpus on veetihe ja pump lastakse täielikult vette (maksimaalset sukeldussügavust vaata 7. TEHNILISED ANDMED).

Toode sobib järgmiste vedelike pumpamiseks:

- **Selge vee sukelpump:** puhas kuni kergelt reostunud vesi maksimaalse terasuurega 5 mm.
- **Reovee sukelpump:** reostunud vesi maksimaalse terasuurega 25 mm.

Toode ei sobi pikaajaliseks käitamiseks (pideva tsirkulatsiooniga käitamiseks).



### OHT! Kehavigastuste oht!

→ Pumbata ei tohi soolast vett, sööbivaid, kergesti süttivaid või plahvatusohtlikke aineid (nt bensiini, petrooleumi, nitrolahustit), õlisid, kütteõli ja toiduaineid.

## 1. OHUTUSJUHISED

### TÄHELEPANU!

Lugege kasutusjuhend hoolikalt läbi ja hoidke see uuesti lugemiseks alles.

### Tootel olevad sümbolid:



Lugege kasutusjuhendit.

### Üldised ohutusjuhised

#### Elektriohtus



**OHT! Elektrilöögi oht!**

**Vigastuste oht elektrivoolu tõttu.**

→ Toode peab saama voolutoite rikkevoolukaitselüliti (FI-lüliti, RCD) kaudu, mille nimivool on maksimaalselt 30 mA.



### OHT! Vigastuste oht!

**Vigastuste oht elektrivoolu tõttu.**

→ Enne, kui hakkate hooldust tegema või detaile välja vahetama, ühendage toode võrgust lahti. Seejuures peab pistikupesa paiknema teie vaateväljas.

### Ohutu käitamine

Veetemperatuur ei tohi ületada 35 °C.

Pumpa ei tohi kasutada, kui vees on inimesi.

Lekkivate määrdeainete tõttu võib vedelik reostuda.

Hoidke kõrvalised isikud veest eemal.

Käitage pumpa ainult nurklitmiikuga.

### Kaitselüliti

#### Termokaitselüliti:

Ülekoormuse korral lülitab sisseehitatud termiline mootorkaitse pumba välja. Pärast mootori piisavat mahajahutamist on pump uuesti käitamiskvalifitseeritud.

et

### Automaatne õhutamise

See pump on varustatud õhutusklapiga, mis kõrvaldab pumbast võimaliku olemasoleva õhupolstri. Funktsioonist tingituna võib siis korpuse küljelt väheses koguses vett välja tulla.

### Täiendavad ohutusjuhised

#### Elektriohutus



#### OHT! Südameseiskuse oht!

Antud toode tekitab käitamisel elektromagnetvälja. See väli võib teatud tingimustes mõjustada aktiivsete või passiivsete meditsiiniliste implantaatide toimimist. Et vältida selliste olukordade tekkimise oht, mis võivad kutsuda esile raskeid või surmavaid vigastusi, peaksid meditsiinilise implantaadiga isikud enne antud toote kasutamist konsulteerima oma arsti ja implantaadi tootjaga.

#### Kaablid

Pikenduskaabli kasutamise puhul peavad need vastama järgnevas tabelis olevatele minimaalsetele ristlõigetele:

Pinge	Kaabli pikkus	Ristlõige
230 – 240 V/50 Hz	Kuni 20 m	1,5 mm <sup>2</sup>
230 – 240 V/50 Hz	20 – 50 m	2,5 mm <sup>2</sup>



#### OHT! Elektrilöögi oht!

Kui võrgupistik lõigatakse küljest ära, võib mööda võrgukaablit sattuda elektri piirkonda niiskust, mille tagajärjel võib tekkida lühis.

→ Võrgupistikut ei tohi mitte mingil juhul küljest ära lõigata (nt seinast läbi viimiseks).

→ Ärge kasutage juhet pistiku pistikupesast väljatõmbamiseks, vaid võtke kinni pistiku korpusest.

→ Kui selle seadme võrguühendusjuhe on kahjustada saanud, siis ohtude vältimiseks tuleb lasta see vahetada tootja või tema klienditeeninduse või kellegi samase kvalifikatsiooniga isiku poolt.

Võrgupistikud ja pistikupesad peavad olema veepritsmekindlad.

Kontrollige, et elektrilised pistikühendused jääksid piirkonda, kuhu ei saa tungida vett.

Pistikut ja toitejuhet tuleb kaitsta kuumuse, õli ja teravate servade eest.

Pidada kinni võrgupingest. Andmeplaadile märgitud näitajad peavad vastama elektrivõrgu andmetele.

Basseinis viibimise või veepinna puudutamise korral peab pumba võrgupistik olema tingimata välja tõmmatud.

Toitejuhet ei tohi kasutada pumba kinnitamiseks või transportimiseks.

Pumba sukeldamiseks või ülestõmbamiseks ja kindlustamiseks peab kasutama kinnitusköit.

Kontrollige toitejuhet regulaarselt.

Enne kasutamist kontrollida alati vaatluse teel, kas pumbal (eelkõige aga toitejuhtmel ja pistikul) ei ole kahjustusi.

Kahjustunud pumba ei tohi kasutada. Pumba kahjustuse korral lasta pump tingimata GARDENA kliendihoidluses üle kontrollida.

Montaažjuhend: keerake kõik poldid uuesti käe tugevuselt kinni.

Enne hoolduse järgset kasutamist tagage, et kõik osad oleksid kinni keeratud.

Meie pumpade kasutamisel koos generaatoriga tuleb järgida generaatori tootja hoiautusjuhiseid.

#### Isiklik ohutus



#### OHT! Lämbumise oht!

Väiksemad osi on võimalik kergesti alla neelata. Plastikkoti tõttu esineb lämbumise oht väikelastele. Hoidke väikelapsed montaaži ajal eemal.

Jälgige minimaalset veetaset vastavalt pumba karakteristikutele.

Ärge laske pumbal töötada kauem kui 10 minutit, kui surve all olev pool on suletud.

Liiv ja muud abrasiivsed ained kiirendavad kulumist ja vähendavad pumba jõudlust.

Ujukülilit tohib käsitseda ainult väljaspool vett.

Käitamise ajal ei tohi voolikut ära tõmmata.

Enne, kui hakkate tõrkeid kõrvaldama, laske pumbal maha jahtuda.

Pumpa ei tohi käitada ilma monteeritud nurkliitmikuta.

## 2. MONTAAŽ



#### OHT! Kehavigastuste oht!

Vigastuste oht, juhul kui toode kogemata käivitub.

→ Enne, kui hakkate toodet monteerima, ühendage toode voolutoitest lahti.

#### Nurkliitmiku pumba sisse keeramine [joonis A1]:



#### OHT! Kehavigastuste oht!

Lõikehaavade oht tiiviku tõttu.

→ Käitage pumba ainult nurkliitmikuga.

→ Keerake nurkliitmik ① kellaosuti suunas pumba sisse.

Vooliku saab ühendada pumbaühenduse ① ja ühendusnipli ② [25 mm (1")- ja 38 mm (1 1/2")] kaudu või GARDENA pistiküsteemi [13 mm (1/2")/ 16 mm (5/8")/ 19 mm (3/4")] kaudu. 38 mm (1 1/2") vooliku kasutamise puhul on pumba pumpamisvõimsus maksimaalne.

#### Vooliku ühendamine ühendusnipli abil [joonis A2/A3/A4]:

Ühendusnipliga ② saab ühendada 25 mm (1") ja 38 mm (1 1/2") voolikut.

<b>Vooliku läbimõõt</b>	25 mm (1")	38 mm (1 1/2")
<b>GARDENA Voolikuklamber</b>	<b>art. nr. 7193</b>	<b>art. nr. 7195</b>
<b>Voolikuühendus [joonis A2]</b>	Niplit mitte eemaldada [joonis A3].	Eemaldada nippel ① juures [joonis A4].

25 mm (1") ja 38 mm (1 1/2") voolikule, mis ühendatakse ühendusnipli ② abil, tuleb kinnitada näiteks **GARDENA voolikuklamber, art. nr. 7193/7195**.

1. Keerake nurkliitmik kellaosuti suunas pumba sisse.
2. Keerake ühendusnippel ② pumbaühenduse ① peale. (Ühendage 38 mm (1 1/2") voolikute puhul ühendusnippel ② kõigepealt ③ juures olevast soonest lahti).

3. Lükake voolik ühendusnipli ② otsa ja kinnitage see nt **GARDENA voolikuklambriga, art. nr. 7193/7195**.

#### **Vooliku ühendamine GARDENA pistiksüsteemi abil [joonis A5]:**

Me soovime mitte kasutada väiksemaid vooliku läbimõõte kui 19 mm (3/4"), kuna muidu hakkab pumbatava koguse jõudlus vähenema.

<b>Vooliku läbimõõt</b>	<b>Pumba liitmik</b>	
<b>19 mm (3/4")</b>	<b>GARDENA Pumbaliitmiku komplekt</b>	<b>art. nr. 1752</b>

→ Ühendage voolik vastava GARDENA pistiksüsteemi kaudu.

## 3. KÄSITSEMINE



**OHT! Kehavigastuste oht!**

**Vigastuste oht, juhul kui toode kogemata käivitub.**

→ Enne, kui toodet ühendama, seadistama või transportima hakkate, ühendage toode voolutoitest lahti.

#### **Vee pumpamine:**

Kui pumba ei saa veereservuaari sukeldada käepideme abil, siis tuleb pump kaevu või veereservuaari sukeldada kőie abil. Minimaalset sukeldamise sügavust kasutuselevõtul vaata 7. TEHNILISED ANDMED.

Pumba peab üles panema selliselt, et imijala peal olevad sisselaskeavad ei oleks täielikult ega osaliselt saastelisan-dite tõttu blokeeritud.

Tiigis tuleks pump panna nt telliskivi peale.

1. Sukeldage pump veereservuaari.
2. Ühendage pump voolutoitega.  
*Tähelepanu! Pump hakkab kohe tööle.*

#### **Automaatrežiim ujuklüliti [joonis O1]:**

**Et pump lülituks vee otsa saamisel automaatselt välja, peab ujuklüliti ③ vee pinnal vabalt ujuma.**

#### **Sisse- ja väljalülitamise kõrguse seadistamine [joonis O1]:**

Maksimaalset sisselülitamise ja minimaalset väljalülitamise kõrgust (vt 7. TEHNILISED ANDMED) saab reguleerida, kui suruda ujuklüliti juhe ujuklüliti fiksaatorisse.

- Mida lähem on ujuklüliti ③ ja ujuklüliti lukustuse ④ vahe-line kaabel, seda madalamaks muutub sisselülitamise tase ja seda kõrgemaks muutub väljalülitamise tase.

→ Suruge ujuklüliti ③ kaabel ujuklüliti lukustuse ④ avasse.



**TÄHELEPANU!**

**Et ujuklüliti sisse- ja väljalülitamine oleks tagatud, peab ujuklüliti ning ujuklüliti fiksaatori vahelise juhtme pikkus olema min 10 cm.**

#### **Käsitsirežiim [joonis O2]:**

**Pump jääb pidevalt käitusesse, kuna ujuklüliti on sillatud.**

1. Lükake ujuklüliti ③ kaabli abil allapoole ujuklüliti lukustuse ④ otsa.
2. Pange pump üles stabiilselt vees seisvana.
3. Ühendage pump voolutoitega.  
*Tähelepanu! Pump hakkab kohe tööle.*

Minimaalne jääkvee tase (vt 7. TEHNILISED ANDMED) saavutatakse ainult käsitsirežiimis, kuna automaatrežiimis lülitab ujuklüliti pumba juba eelnevalt välja.

## 4. HOOLDUS



**OHT! Kehavigastuste oht!**

**Vigastuste oht, juhul kui toode kogemata käivitub.**

→ Enne, kui hakkate toodet hooldama, ühendage toode voolutoitest lahti.

#### **Pumba läbilõputamine:**

Pärast klooritud vee pumpamist peab pumba läbi lõputama.

1. Pumbake leiget vett (maksimaalselt 35 °C), vajaduse korral lisades õrna puhastusvahendit (nt nõudepesu- vahendit), kuni pumbatav vesi muutub selgeks.
2. Korraldage jääkide jäätmekäitlus vastavalt jäätmeseadu- se suunistele.

et

## 5. HOIULEPANEK

### Kasutuselt kõrvaldamine:

#### Pump ei ole pakasekindel!

Toodet peab säilitama lastele ligipääsmatuna.

1. Ühendage pump voolutoitest lahti.
2. Pöörake pump pea peale, kuni vett enam välja ei jookse.
3. Puhastage pump (vt 4. HOOLDUS).
4. Pange pump hoiule kuiva, suletud ja pakasekindlasse kohta.

### Toote kasutuselt kõrvaldamine:

(vastavalt direktiivile 2012/19/EL)



Toodet ei tohi kasutuselt kõrvaldada koos tavaliste olmejäätmetega. Selle peab kasutuselt kõrvaldama vastavalt kehtivatele kohalikele keskkonnakaitses eeskirjadele.

### TÄHELEPANU!

→ Kõrvaldage toode kasutuselt oma kohaliku taaskasutuse kogumisjaama kaudu või selle abil.

## 6. TÕRGETE KÕRVALDAMINE



### OHT! Kehavigastuste oht!

Vigastuste oht, juhul kui toode kogemata käivitub.

→ Enne, kui hakkate toote tõrkeid kõrvaldama, ühendage toode voolutoitest lahti.

### Imijala ja tiiviku puhastamine [joonis T1]:

1. Keerake 4 ristpeapolti ④ välja.
2. Tõmmake imijalg ⑤ pumba küljest maha.
3. Puhastage imijalg ⑤ ja tiivik ⑥ (nende hooldustööde tõttu garantii jõudu ei kaota).
4. Pange imijalg ⑤ uuesti peale.
5. Keerake 4 ristpeapolti ④ uuesti sisse.

**Kahjustatud tiiviku tohib ohutusest tingituna vahetada välja ainult GARDENA teenindus.**

Probleem	Võimalik põhjus	Kõrvaldamine
<b>Pump töötab, ent ei pumpa vett</b>	Õhk ei saa välja, kuna survevoolik on kinni. (Survevoolik võib olla ka kokku murtud).	→ Avage survevoolik (nt sulgurklapp, jaotusseadmed).
	Iminapaga jala all on õhku.	→ Oodake ca 60 sekundit, kuni pump on õhutamise ise läbi viinud (vajaduse korral lülitage välja/sisse).
	Sissetõmbeava on ummistunud.	→ Puhastage sissetõmbeava veejoa abil.
	Voolik on ummistunud.	→ Eemaldage voolikust ummistus.
	Tiivik on blokeeritud.	→ Puhastage imijalg ja tiivik.
<b>Pump ei käivitu või seiskub töö ajal äkki</b>	Veetase on sisselülitamisel minimaalsest veetasemest madalam.	→ Sukeldage pump sügavamale sisse.
	Termokaitseüliti on pumba ülekuumenemise tõttu välja lülitunud.	→ Puhastage sissetõmbeava. Pidage kinni pumbatava vedeliku maksimaalsest temperatuurist (35 °C).
	Pumbal ei ole voolu.	→ Kontrollige kaitsmeid ja elektrilisi pistikühendusi.
<b>Pump töötab, aga jõudlus langeb järsult</b>	Rikkevoolukaitselüliti (RCD) on reageerinud (rikkevool).	→ Ühendage pump voolutoitest lahti ja pöörduge GARDENA teeninduse poole.
	Sissetõmbeava on ummistunud.	→ Puhastage sissetõmbeava veejoa abil.
	Voolik on ummistunud.	→ Eemaldage voolikust ummistus.



**JUHIS:** Palun pöörduge muude rikete korral oma GARDENA teeninduskeskusesse. Parandusi tohivad teha ainult GARDENA teeninduskeskused ning GARDENA poolt volitatud spetsialiseerunud jaemüüjad.



## 7. TEHNILISED ANDMED

Sukelpump	Ühik	Väärtus (art. nr. 9000)	Väärtus (art. nr. 9001)	Väärtus (art. nr. 9007)	Väärtus (art. nr. 9008)
Nimivõimsus	W	250	400	250	400
Võrgupinge	V (AC)	230	230	230	230
Võrgusagedus	Hz	50	50	50	50
Max jõudlus	l/h	8200	8600	9200	10.500
Max rõhk/ pumpamiskõrgus	bar / m	0,5 5,0	0,55 5,5	0,4 4,0	0,5 5,0
Max uputussügavus	m	6	6	6	6
Minimaalne / maksimaalne siselülitamise tase	cm	23 / 50	23 / 50	26 / 45	26 / 45
Minimaalne / maksimaalne väljalülitamise tase	cm	7 / 20	7 / 20	11 / 16	11 / 16
Jääkvee tase	mm	4	4	25	25
Reovesi maksimaalse terasuurusega	mm	5	5	25	25
Minimaalne uputussügavus kasutusele võtmisel (ca)	cm	25	25	50	50
Ühendusjuhe	m	10 (H05RN-F)	10 (H05RN-F)	10 (H05RN-F)	10 (H05RN-F)
Kaal ilma juhtmeta (ca)	kg	2,55	2,85	2,55	2,9
Max vee temperatuur	°C	35	35	35	35

## 8. LISATARVIKUD/VARUOSAD

GARDENA Voolikuklamber	25 mm (1") voolikutele ühendusnipliga.	<b>art. nr. 7193</b>
GARDENA Voolikuklamber	38 mm (1 1/2") voolikutele ühendusnipliga.	<b>art. nr. 7195</b>
GARDENA Pumbaliitmiku komplekt	19 mm (3/4") voolikutele GARDENA pistiksüsteemiga.	<b>art. nr. 1752</b>
GARDENA Lamevooliku komplekt	10 m pikkune 38 mm (1 1/2") voolik koos voolikuklambriga.	<b>art. nr. 5005</b>

## 9. TEENINDUS

Meie teenindusosakonna praeguse kontaktteabe leiate veebist:

[www.gardena.com/contact](http://www.gardena.com/contact)

et

# GARDENA Panardinamas švaraus vandens siurblys / Panardinamas purvino vandens siurblys

1. SAUGOS NURODYMAI	90
2. SURINKIMAS	91
3. NAUDOJIMAS	92
4. TECHNINĖ PRIEŽIŪRA	92
5. LAIKYMAS	93
6. GEDIMŲ ŠALINIMAS	93
7. TECHNINIAI DUOMENYS	94
8. PRIEDAI/ATSARGINĖS DALYS	94
9. SERVISAS	94

## Instrukcijos originalo vertimas.



Šiuo gaminiu gali naudotis vyresni nei 8 metų vaikai bei asmenys, turintys fizinių, sensorinių ar protinių sutrikimų, arba neturintys patirties ir žinių, jei jie dirba prižiūrimi arba išmokomi dirbti saugiai ir atpažįsta galimus pavojus. Vaikai negali su gaminiu žaisti. Draudžiama vaikams atlikti valymo ir naudotojo atliekamų techninės priežiūros darbus, jei jie yra neprižiūrimi. Šį gaminį rekomenduojame naudoti jaunimui tikrai nuo 16 metų. Niekada nesinaudokite gaminiu pavargę, sergantys ar apsvaigę nuo alkoholio, narkotikų ar vaistų.

## Naudojimas pagal paskirtį:

**GARDENA Panardinamas siurblys** yra skirtas ne tik nusausinimui po potvynių, bet ir vandeniui persiurbti iš vietos talpyklos į kitą ir išsiurbti iš juo, vandeniui imti iš šulinių ir cisternų, išsiurbti iš valčių ir jachtų bei laikinai sukurti vandens aeraciją ir cirkuliaciją, taip pat chloruotam vandeniui siurbti privačiame namų ir mėgėjų sode.

## Siurbiami skysčiai:

GARDENA panardinamu siurbliu galima siurbti tikrai vandenį.

Siurbliį galima visiškai apsemti (užsandarintas) bei panardinti į vandenį (maks. panardinimo gylį žr. 7. TECHNINIAI DUOMENYS).

Gaminiu galima siurbti šiuos skysčius:

- **Panardinamas švaraus vandens siurblys:** švarų ir šiek tiek purviną vandenį, kurio maksimalus grūdelių skersmuo yra 5 mm.
- **Panardinamas purvino vandens siurblys:** purviną vandenį, kurio maksimalus grūdelių skersmuo yra 25 mm.

Šio gaminio negalima naudoti ilgą laiką (nuolatinės cirkuliacijos režimas).



## PAVOJUS! Kūno sužalojimai!

→ **Draudžiama siurbti sūrų vandenį, ėsdinančias, labai degias arba sprogias medžiagas (pvz., benzina, kt. naftos produktus, nitroskiediklius), alyvą, skystą kurą bei maisto produktus.**

## 1. SAUGOS NURODYMAI

### SVARBU!

Prašom atidžiai perskaityti eksploatavimo instrukciją ir ją išsaugoti, kad galėtumėte dar kartą perskaityti.

*Simboliai ant gaminio:*



**Perskaitykite eksploatavimo instrukciją.**

*Bendrieji saugos nurodymai*

**Elektros sauga**



**PAVOJUS! Elektros smūgis!**  
**Susižeidimo pavojus elektros srove.**

→ | **gaminį srovė turi būti paduodama per FI jungiklį (RCD), kurio didžiausia nominali paleidimo srovė yra 30 mA.**



**PAVOJUS! Sužalojimo pavojus!**

**Susižeidimo pavojus elektros srove.**

→ **Prieš atlikdami techninės priežiūros darbus ar keisdami dalis ištraukite kištuką iš tinklo. Kištukinis lizdas turi būti Jūsų matomumo zonoje.**

**Saugus eksploatavimas**

Vandens temperatūra negali viršyti 35 °C.

Siurblio negalima naudoti, jei vandenyje yra asmenų.

Skystis gali būti užterštas ištekanciais tepalais.

Trečiuosius asmenis laikykite atokiau nuo vandens.

Naudokite siurbliį tikrai su aukūne.

**Apsauginis jungiklis**

**Terminės apsauginis jungiklis:**

Esant perkrovai siurblys išjungiamas įmontuota terminė variklio apsauga. Varikliui pakankamai atvėsus, siurblys yra vėl pasiruošęs darbui.

### Automatinis oro šalinimas

Šiame siurblyje yra įmontuotas oro šalinimo vožtuvas, kuris pašalina oro pūslę, kuri gali susidaryti siurblyje. Dėl šios funkcijos korpuso šone gali iškelti šiek tiek vandens.

### Papildomi saugos nurodymai

#### Elektros sauga



#### PAVOJUS! Širdies sustojimas!

**Eksplotavimo metu šis gaminys sukuria elektromagnetinį lauką. Tam tikromis sąlygomis šis laukas gali aktyviai ar pasyviai paveikti medicininių implantų veikimą. Kad būtų išvengta pavojaus situacijų, kurios gali sukelti sunkius ar mirtinus sužalojimus, asmenys su mediciniais implantais prieš šio gaminio naudojimą turi pasikonsultuoti su savo gydytoju arba implantų gamintoju.**

#### Kabeliai

Jei naudojami pailginimo kabeliai, jie turi atitikti tolimesnėje lentelėje nurodytus minimalius skerspjūvius:

Įtampa	Kabelio ilgis	Skerspjūvis
230 – 240 V/50 Hz	Iki 20 m	1,5 mm <sup>2</sup>
230 – 240 V/50 Hz	20 – 50 m	2,5 mm <sup>2</sup>



#### PAVOJUS! Elektros smūgis!

**Dėl nupjauto tinklo kištuko tinklo kabeliu gali patekti drėgmė į elektrinę srįtį ir sukelti trumpąjį jungimą.**

→ Jokiū būdu nenupjauti kištuko (pvz., pravedant per sieną).

→ Traukite kištuką iš lizdo ne už kabelio, bet už kištuko.

→ Jei šio prietaiso elektros maitinimo kabelis sugadintas, jį turi pakeisti gamintojas, jo klientų aptarnavimo centras arba panašiai kvalifikuotas asmuo, kad būtų išvengta pavojų.

Tinklo kištukai ir lizdai turi būti apsaugoti nuo vandens purslų.

Įsitikinkite, kad elektriniai kištukiniai sujungimai yra srityje, apsaugotoje nuo apšėmimo.

Saugokite tinklo kištuką ir maitinimo kabelį nuo karščio, alyvos ir aštrių kampų.

Laikykitės tinklo įtampos. Siurblio firminėje duomenų lentelėje nurodyti parametrai turi sutapti su elektros maitinimo tinklo parametrais.

Būnant baseine arba liečiant vandens paviršių būtina ištraukti siurblio tinklo kištuką.

Nenaudokite maitinimo kabelio siurblio pritvirtinimui ar pernešimui.

Siurbliui nardinti, traukti į viršų ir tvirtinti turi būti naudojama pritvirtinimo virvė.

Reguliariai tikrinkite maitinimo laidą.

Prieš naudojimą visada apžiūrėkite siurbį (ypač maitinimo kabelį ir tinklo kištuką).

Nenaudokite sugadinto siurblio. Sugadintą siurbį būtinai turi patikrinti GARDENA servisas.

Surinkimo instrukcija: vėl tvirtai priveržti visus varžtus.

Prieš naudodami po techninės priežiūros įsitikinkite, kad visos dalys yra priveržtos.

Mūsų siurblius naudojant su generatoriumi reikia atkreipti dėmesį į generatoriaus gamintojo įspėjimus.

#### Asmeninė sauga



#### PAVOJUS! Uždusimo pavojus!

**Mažomis dalimis galima greitai užspringti. Dėl plastikinio maišelio mažiems vaikams kyla uždusimo pavojus. Todėl surinkimo metu maži vaikai turi būti kuo toliau nuo jūsų.**

Laikykitės mažiausio vandens lygio pagal siurblio charakteristiką.

Nepalikite siurblio įjungto ilgiau nei 10 minučių, kai slėginė linija uždaryta.

Smėlis ir kitos abrazyvinės medžiagos pagreitina siurblio nusidėvėjimą ir mažina pajėgumą.

Plūdinį jungiklį galima valdyti tikiai ištrauktą iš vandens.

Eksplotavimo metu draudžiama nuimti žarną.

Prieš šalindami gedimą palaukite, kol siurblys atvės.

Siurblio negalima naudoti be primontuotos alkūnės.

## 2. SURINKIMAS



#### PAVOJUS! Kūno sužalojimai!

**Jei gaminys įsijungia atsitiktinai, kyla sužalojimo pavojus.**

→ Prieš montuodami gaminį atjunkite jį nuo maitinimo tinklo.

**Įsukti alkūnę į siurbį [pav. A1]:**



#### PAVOJUS! Kūno sužalojimai!

**Pjautiniai sužalojimai rotoriumi.**

→ Naudokite siurbį tikiai su alkūne.

→ Įsukite alkūnę ① pagal laikrodžio rodyklę į siurbį.

Žarną galima prijungti siurblio jungtimi ① ir jungiamąja įmova ② [25 mm (1") ir 38 mm (1 1/2")] arba GARDENA jungčių sistema [13 mm (1/2")/16 mm (5/8")/19 mm (3/4")]. Naudojant 38 mm (1 1/2") žarną siurblys veikia maksimaliu našumu.

#### Prijungti žarną naudojant jungiamąją įmovą [pav. A2/A3/A4]:

Naudojant jungiamąją įmovą ② galima prijungti 25 mm (1") ir 38 mm (1 1/2") žarnas.

it

<b>Žarnos skersmuo</b>	25 mm (1")	38 mm (1 1/2")
<b>GARDENA Žarnos spaustuvas</b>	<b>gaminys 7193</b>	<b>gaminys 7195</b>
<b>Žarnos sujungimas [pav. A2]</b>	Įmovas neatskirti [pav. A3].	Įmova atskirti ties ① [pav. A4].

25 mm (1") ir 38 mm (1 1/2") žarnos, prijungtos naudojant jungiamąją įmovą ②, turi būti tvirtinamos pvz., **GARDENA žarnos spaustuvu, gaminys 7193/7195.**

1. Įsukite alkūnę pagal laikrodžio rodyklę į siurbį.
2. Priveržkite jungiamąją įmovą ② ant siurblio jungties ①. (Prieš jungiant 38 mm (1 1/2") žarnas atskirkite jungiamąją įmovą ② per griovelį ties ①).
3. Užmaukite žarną ant jungiamosios įmovo ② ir ją pritvirtinkite, pvz., **GARDENA žarnos spaustuvu, gaminys 7193/7195.**

### **Prijungti žarną naudojant GARDENA jungčių sistemą [pav. A5]:**

Rekomenduojame naudoti žarnas su ne siauresniu nei 19 mm (3/4") žarnos skersmeniu, nes kitaip sumažės siurbiamas kiekis ir našumas.

<b>Žarnos skersmuo</b>	<b>Siurblio jungtis</b>
<b>19 mm (3/4")</b>	<b>GARDENA Siurblio jungimo rinkinys</b>
	<b>gaminys 1752</b>

→ Prijunkite žarną naudodami atitinkamą GARDENA jungčių sistemą.

## 3. NAUDOJIMAS



### **PAVOJUS! Kūno sužalojimai!**

**Jei gaminys išjungia atsitiktinai, kyla sužalojimo pavojus.**

→ **Prieš prijungdami, nustatydami arba transportuodami gaminį atjunkite jį nuo maitinimo tinklo.**

### **Siurbti vandenį:**

Jei siurblio negalima panardinti į vandens rezervuarą už rankenos, jį visada reikia panardinti į šulinį ar vandens rezervuarą už virvės. Mažiausią panardinimo gyį pradedant eksploatuoti žr. 7 skyrių TECHNINIAI DUOMENYS.

Siurbį reikia pastatyti taip, kad įleidimo angų ant pagrindo negalėtų visiškai arba iš dalies blokuoti nešvarumai.

Tvenkinyje siurbį reikėtų pastatyti, pvz., ant plytos.

1. Panardinkite siurbį į vandens rezervuarą.
2. Prijunkite siurbį prie maitinimo tinklo.  
*Dėmesio! Siurblys iškart išjungia.*

### **Automatinis režimas su plūdiniu jungikliu [pav. O1]:**

**Kad siurblys automatiškai išjungtų nustojus tekėti siurbiamam skysčiui, plūdinis jungiklis ③ turi laisvai judėti vandens paviršiuje.**

### **Nustatyti išjungimo ir išsijungimo aukštį [pav. O1]:**

Maksimalus išjungimo aukštis ir minimalus išsijungimo aukštis (žr. 7. TECHNINIAI DUOMENYS) gali būti pritaikyti

plūdinio jungiklio kabelį įspausdus į plūdinio jungiklio fiksatorių.

- Kuo trumpesnis kabelis tarp plūdinio jungiklio ③ ir plūdinio jungiklio fiksatoriaus ④, tuo žemesnis išjungimo aukštis ir aukštesnis išsijungimo aukštis.

→ Įspauskite plūdinio jungiklio kabelį ③ į plūdinio jungiklio fiksatoriaus angą ④.



### **DĖMESIO!**

**Kad būtų užtikrintas plūdinio jungiklio išjungimas ir išsijungimas, kabelio ilgis tarp plūdinio jungiklio ir plūdinio jungiklio fiksatoriaus turi būti ne mažesnis nei 10 cm.**

### **Rankinis režimas [pav. O2]:**

**Siurblys nuolat veikia, kadangi plūdinis jungiklis yra nenaudojamas.**

1. Užstumkite plūdinį jungiklį ③ su kabeliu žemyn ant plūdinio jungiklio fiksatoriaus ④.
2. Stabiliai pastatykite siurbį vandenyje.
3. Prijunkite siurbį prie maitinimo tinklo.  
*Dėmesio! Siurblys iškart išjungia.*

Minimalus likusio vandens aukštis (žr. 7. TECHNINIAI DUOMENYS) pasiekiamas tiktai rankiniame režime, kadangi plūdinis jungiklis automatiškai jau anksčiau išjungia siurbį.

## 4. TECHNINĖ PRIEŽIŪRA



### **PAVOJUS! Kūno sužalojimai!**

**Jei gaminys išjungia atsitiktinai, kyla sužalojimo pavojus.**

→ **Prieš atlikdami gaminio techninę priežiūrą atjunkite jį nuo maitinimo tinklo.**

### **Praplauti siurbį:**

Jei buvo siurbiamas chloruotas vanduo, siurbį reikia praplauti.

1. Siurbkite šiltą vandenį (maks. 35 °C) tol, kol siurbiamas vanduo bus skaidrus, galite pridėti švelnios valymo priemonės (pvz., indų ploviklio).
2. Likučius šalinkite pagal atliekų tvarkymo įstatymo nuostatas.

## 5. LAIKYMAS

### **Naudojimo pabaiga:**

#### **Siurblys nėra atsparus šalnoms!**

#### **Gaminį laikykite vaikams neprieinamoje vietoje.**

1. Atjunkite siurblį nuo maitinimo tinklo.
2. Apverskite siurblį priekiu į apačią ir palaukite, kol nebeištekės vanduo.
3. Išvalykite siurblį (žr. 4. TECHNINĖ PRIEŽIŪRA).
4. Laikykite siurblį sausoje, uždaroje ir nuo šalčio apsaugotoje vietoje.

### **Gaminio utilizavimas:**

(pagal Direktyvą 2012/19/ES)



Gaminio negalima šalinti su įprastomis buitinėmis atliekomis. Jį reikia šalinti pagal galiojančius vietinius aplinkosaugos reikalavimus.

### **SVARBU!**

→ Šalinkite gaminį vietiniame komunaliniame atliekų surinkimo ir perdavimo punkte.

## 6. GEDIMŲ ŠALINIMAS



### **PAVOJUS! Kūno sužalojimai!**

Jei gaminys įsijungia atsitiktinai, kyla sužalojimo pavojus.

→ Prieš šalindami gaminio gedimus atjunkite jį nuo maitinimo tinklo.

### **Valyti pagrindą ir rotorius [pav. T1]:**

1. Išsukite 4 varžtus su kryžmine įpjova ④.
2. Nuimkite pagrindą ⑤ nuo siurblio.
3. Išvalykite pagrindą ⑤ ir rotorius ⑥ (dėl šių techninės priežiūros darbų garantija lieka galoti).
4. Vėl uždėkite pagrindą ⑤.
5. Vėl prisukite 4 varžtus su kryžmine įpjova ④.

**Saugumo sumetimais sugadintą rotorius gali keisti tiksliai GARDENA servisas.**

Problema	Galima priežastis	Sutrikimo / gedimo pašalinimas
<b>Siurblys veikia, bet nesiurbia vandens</b>	Negali išeiti oras, nes slėginė linija uždaryta. (Pvz., užsilenkusi slėginė žarna).	→ Atidarykite slėgio liniją (pvz., uždarymo vožtuvą, laistymo įtaisus).
	Oro pūslė siurblio pagrinde.	→ Palaukite apie 60 sekundžių, kol iš siurblio savaime išeis oras (jei reikia, išjunkite ir įjunkite).
	Užsikimšusi įsiurbimo anga.	→ Išvalykite įsiurbimo angą vandens srove.
	Užsikimšusi žarna.	→ Pašalinkite užsikimšimą žarnoje.
	Užsiblokavęs rotorius.	→ Išvalykite pagrindą ir rotorius.
<b>Siurblys neįsijungia arba staiga sustoja eksploatacavimo metu</b>	Paleidimo į eksploataciją metu vandens lygis žemiau mažiausio vandens lygio.	→ Panardinkite siurblį giliau.
	Dėl perkaitimo terminės apsaugos jungiklis išjungė siurblį.	→ Išvalykite įsiurbimo angą. Atkreipkite dėmesį į maksimalią skysčio temperatūrą (35 °C).
	Siurblys be elektros srovės.	→ Patikrinkite saugiklius ir elektros kištukines jungtis.
<b>Siurblys veikia, tačiau skysčio srautas staiga pradeda mažėti</b>	Suveikė skirtuminės srovės įtaisas (RCD) (srovės nuotėkis).	→ Atjunkite siurblį nuo maitinimo tinklo ir kreipkitės į GARDENA servisą.
	Užsikimšusi įsiurbimo anga.	→ Išvalykite įsiurbimo angą vandens srove.
	Užsikimšusi žarna.	→ Pašalinkite užsikimšimą žarnoje.



**PASTABA: Kitų sutrikimų / gedimų atveju kreipkitės į GARDENA serviso centrą. Remontą gali atlikti tiksliai GARDENA serviso centrai bei specializuoti prekybininkai, kuriuos įgalioja firma GARDENA.**

## 7. TECHNINIAI DUOMENYS

<i>Panardinamas siurblys</i>	<b>Vienetas</b>	<b>Vertė (gaminys 9000)</b>	<b>Vertė (gaminys 9001)</b>	<b>Vertė (gaminys 9007)</b>	<b>Vertė (gaminys 9008)</b>
<b>Vardinė galia</b>	W	250	400	250	400
<b>Tinklo įtampa</b>	V (AC)	230	230	230	230
<b>Tinklo dažnis</b>	Hz	50	50	50	50
<b>Maksimalus našumas</b>	l/h	8200	8600	9200	10.500
<b>Maksimalus slėgis/ maksimalus kėlimo aukštis</b>	bar / m	0,5 5,0	0,55 5,5	0,4 4,0	0,5 5,0
<b>Maksimalus panardinimo gylis</b>	m	6	6	6	6
<b>Min./maks. įsijungimo aukštis</b>	cm	23 / 50	23 / 50	26 / 45	26 / 45
<b>Min./maks. išsijungimo aukštis</b>	cm	7 / 20	7 / 20	11 / 16	11 / 16
<b>Likusio vandens aukštis</b>	mm	4	4	25	25
<b>Purvinas vanduo, kurio maks. grūdelių skersmuo</b>	mm	5	5	25	25
<b>Mažiausias vandens lygis paleidžiant (apie)</b>	cm	25	25	50	50
<b>Maitinimo kabelis</b>	m	10 (H05RN-F)	10 (H05RN-F)	10 (H05RN-F)	10 (H05RN-F)
<b>Svoris be kabelio (apie)</b>	kg	2,55	2,85	2,55	2,9
<b>Maksimali skysčio temperatūra</b>	°C	35	35	35	35

## 8. PRIEDAI/ATSARGINĖS DALYS

<b>GARDENA Žarnos spaustuvas</b>	25 mm (1") žarnos su jungiamąja įmova.	<b>gaminys 7193</b>
<b>GARDENA Žarnos spaustuvas</b>	38 mm (1 1/2") žarnos su jungiamąja įmova.	<b>gaminys 7195</b>
<b>GARDENA Jsiurblio ungimo rinkinys</b>	19 mm (3/4") žarnos su GARDENA jungčių sistema.	<b>gaminys 1752</b>
<b>GARDENA Plokščiosios žarnos rinkinys</b>	10 m 38 mm (1 1/2") žarna su žarnos gnybtu.	<b>gaminys 5005</b>

## 9. SERVISAS

Techninės priežiūros skyriaus kontaktinę informaciją rasite apsilankę adresu

[www.gardena.com/contact](http://www.gardena.com/contact)

# GARDENA iegremdējamais tīrā ūdens sūkņis / iegremdējamais notekūdens sūkņis

1. DROŠĪBAS NORĀDĪJUMI . . . . .	95
2. MONTĀŽA . . . . .	96
3. LIETOŠANA . . . . .	97
4. APKOPE . . . . .	98
5. UZGLABĀŠANA . . . . .	98
6. KĻŪDU NOVĒRŠANA . . . . .	98
7. TEHNISKIE DATI . . . . .	99
8. PIEDERUMI/REZERVES DAĻAS . . . . .	100
9. SERVISS . . . . .	100

## Oriģinālās instrukcijas tulkojums.



Ar šo izstrādājumu drīkst strādāt tikai personas, kas ir vecākas par 8 gadiem. Personas ar ierobežotām psihiskām, fiziskām vai garīgām spējām, kā arī personas, kurām nav pietiekošas pieredzes un zināšanu, drīkst lietot izstrādājumu tikai citas personas uzraudzībā vai pēc instruktāžas par drošu izstrādājuma lietošanu un ar to saistītiem riskiem. Bērni nedrīkst spēlēties ar izstrādājumu. Bērni nedrīkst veikt izstrādājuma tīrīšanu un apkopi, kas jāveic lietotājam, bez pieaugušo uzraudzības. Mēs iesakām ar izstrādājumu strādāt tikai personām, kas ir sasniegušas 16 gadu vecumu. Nelietojiet izstrādājumu, kad esat noguris, slims

vai lietojis alkoholu, narkotikas vai medikamentus.

### Lietošana atbilstoši noteiktajam mērķim:

**GARDENA iegremdējamais sūkņis** ir paredzēts ūdens nosūkņēšanai no pārplūdušām vietām, kā arī tvertņu pārsūkņēšanai un izsūkņēšanai, ūdens sūkņēšanai no akām un kanāliem, laivām un jahtām un ūdens uzpildei un cirkulācijai ar laika ierobežojumu, un arī horu saturoša ūdens sūkņēšanai privātmājas un dārziņos.

### Sūkņjamie šķidrumi:

Ar GARDENA iegremdējamo sūkni atļauts sūkņēt tikai ūdeni.

Sūkņis ir pilnībā pārpludināms (ievietots ūdensnecaurlaidīgā kapsulā) un tiek iegremdēts ūdenī (maks. iegremdēšanas dziļumu skatīt 7. nodaļā TEHNISKIE DATI).

Izstrādājums ir piemērots sekojošo šķidrumu sūkņēšanai:

- **GARDENA iegremdējamais tīrā ūdens sūkņis:** tīrs līdz viegli netīrs ūdens ar maks. daļiņu izmēru 5 mm.
- **iegremdējamais notekūdens sūkņis:** netīrs ūdens, kuru maks. daļiņu izmērs ir 25 mm.

Izstrādājums nav paredzēts darbam nepārtrauktā režīmā (nepārtrauktais recirkulācijas režīms).



### **BĪSTAMI! Miesas bojājums!**

→ Nedrīkst sūkņēt sālsūdeni, kairinošus, viegli uzliesmojošus, agresīvus vai sprādzienbīstamus šķidrumus (piemēram, benzīnu, petroleju vai nitro šķīdinātājus), eļļas, šķidro kurināmo un pārtikas produktus.

## 1. DROŠĪBAS NORĀDĪJUMI

### **SVARĪGI!**

Lūdzu, uzmanīgi izlasiet un rūpīgi uzglabāriet šo lietošanas instrukciju.

### **Simboli uz izstrādājuma:**



Izlasiet lietošanas instrukciju.

### **Vispārīgie drošības norādījumi**

#### **Elektriskā drošība**



**BĪSTAMI! Strāvas trieciens!**

**Elektriskā strāva izraisa traumu gūšanas risku.**

→ Izstrādājumam jābūt aprīkotam ar FI slēdzi (RCD) ar nominālo aktivācijas strāvu maksimāli 30 mA.



**BĪSTAMI! Miesas bojājumu gūšanas risks!**  
**Elektriskā strāva izraisa traumu gūšanas risku.**

→ Atslēdziet izstrādājumu no tīkla, pirms veicat tehniskās apkopes darbus vai detaļu nomaiņu. Rozetei jāatrodas Jūsu redzes laukā.

#### **Drošs darbs**

Ūdens temperatūra nedrīkst pārsniegt 35 °C.

Sūkņi nedrīkst lietot, ja ūdeni atrodas cilvēki.

Šķidruma piesāpājumu varētu izraisīt izplūdušas smērvielas.

Neļaujiet nepiederošām personām tuvoties ūdenim.

Lietojiet sūkņi tikai ar līkumu.

## Aizsardzības slēdzis

### Termoslēdzis:

Pārslodzes gadījumā iebūvētais siltumjutīgais drošības slēdzis iniciē sūkņa izslēgšanos. Pēc tam, kad sūknis ir pietiekami atdzisis, tas atkal ir gatavs darbam.

### Automātiska atgaisošana

Šis sūknis ir aprīkots ar atgaisošanas vārstu, kas sūkni likvidē gaisa spilvenu, ja tāds gadījumā izveidojas. Tādējādi funkcionālu īpatnību dēļ korpusa sānos var izplūst neliels daudzums ūdens.

### Papildus drošības norādījumi

#### Elektriskā drošība



#### **BĪSTAMI! Sirds apstāšanās!**

Šis izstrādājums darba laikā rada elektromagnētisko lauku. Šis lauks noteiktos apstākļos var ietekmēt pasīvu vai aktīvu medicīnisko implantātu funkcionēšanu. Lai nepieļautu tādas situācijas, kurās cilvēki var gūt smagus vai nāvējus ievainojumus, cilvēkiem ar medicīnisko implantātu pirms izstrādājuma lietošanas ieteicams konsultēties ar ārstu vai implantāta ražotāju.

#### Kabelis

Lietojot pagarināšanas kabelus, to minimālajam šķērsgrīzumam jāatbilst sekojošai tabulai:

Spriegums	Kabeļa garums	Šķērsgrīzums
230 – 240 V/50 Hz	Līdz 20 m	1,5 mm <sup>2</sup>
230 – 240 V/50 Hz	20 – 50 m	2,5 mm <sup>2</sup>



#### **BĪSTAMI! Strāvas trieciens!**

Barošanas kontaktdakšanas apgriešanas rezultātā caur barošanas kabeli sūkņa elektriskajā detaļās var nokļūt mitrums un izraisīt īssavienojumu.

→ Tikla kontaktspraudni nekādā gadījumā nedrīkst nogriezt (piem., lai vadu izvilktu caur sienā izurbtu atveri).

→ Neizvelciet kontaktspraudni no rozetes, velkot aiz kabeļa, bet gan aiz tā korpusa.

→ Ja šis ierīces tikla vads ir bojāts, lai novērstu bīstamas situācijas, ražotājam, autorizētam klientu apkalpošanas dienestam vai citai personai ar līdzīgu kvalifikāciju jānomaina bojātais tikla vads.

Tikla kontaktspraudnim un savienojumiem ir jābūt aizsargātiem pret ūdens šļakatu iedarbību.

Pārļiecinieties, ka elektriskie spraudsavienojumi atrodas zonās, kur nav iespējama pārlūde.

Tikla kontaktspraudni un elektrības pieslēguma vadu sargājiet no karstuma, eļļas un asām malām.

Ievērojiet tikla spriegumu. Pases datu plāksnītē norādītajiem datiem jāsakrīt ar strāvas tikla datiem.

Atrodoties baseinā vai pieskaroties ūdens virsmai, obligāti atvienojiet sūkņa tikla spraudni.

Tikla pieslēguma vadu nedrīkst izmantot sūkņa nostiprināšanai vai transportēšanai.

Lai iegremdētu vai izņemtu un nofiksētu sūkni, izmantojiet nostiprināšanas trosi.

Regulāri pārbaudiet pieslēguma vadu.

Pirms lietošanas vienmēr veikt sūkņa vizuālo pārbaudi (īpaši tikla pieslēguma vadam un kontaktspraudnim).

Bojātu sūkni izmantot nedrīkst. Konstatēta bojājuma gadījumā sūkni obligāti nodot pārbaudei GARDENA servisa centrā.

Montāžas instrukcija: atkārtoti ar roku pievelciet visas skrūves.

Pēc apkopes, pirms atkal lietojat ierīci, pārļiecinieties, ka visas detaļas ir saskrūvētas.

Lietojot mūsu sūkņus kopā ar generatoru, jāņem vērā generatora ražotāja brīdinājuma norādes.

#### Individuālā drošība



#### **BĪSTAMI! Nosmakšanas risks!**

Mazas detaļas var viegli norīt. Polietilēna maisiņš rada nosmakšanas risku maziem bērniem. Montāžas darbu izpildes laikā turiet mazus bērnus drošā attālumā.

Ievērojiet minimālo ūdens līmeni saskaņā ar sūkņa raksturlielumiem.

Nelaujiet sūknim darboties ilgāk par 10 minūtēm pret slēgtu spiedienu pusi.

Smiltis un citas abrazīvas vielas paātrina sūkņa nodilšanu un samazina sūkņa produktivitāti.

Plūdiņslēdzi atļauts lietot tikai tad, kad tas neatrodas ūdenī.

Sūkņa darbības laikā šļūteni nedrīkst noņemt.

Pirms kļūdas novēršanas ļaujiet sūknim atdzist.

Sūkni nedrīkst darbināt bez uzstādīta līkuma.

## 2. MONTĀŽA



#### **BĪSTAMI! Miesas bojājums!**

Miesas bojājumu gūšanas risks, izstrādājumam sākot darboties nekontrolēti.

→ Pirms izstrādājuma montāžas atslēdziet to no elektroenerģijas avota.

#### **Līkuma uzskrūvēšana sūknim [Att. A1]:**



#### **BĪSTAMI! Miesas bojājums!**

Darba rata izraisītu grieztu savainojumu gūšana.

→ Lietojiet sūkni tikai ar līkumu.

→ Pulksteņa rādītāju kustības virzienā ieskrūvējiet līkumu ① sūkni.



Šļūteni var pievienot, izmantojot sūkņa pieslēgumu ① un pieslēguma nipelī ② [25 mm (1") un 38 mm (1 1/2")] vai arī GARDENA spraudsistēmu [13 mm (1/2")/ 16 mm (5/8")/ 19 mm (3/4")]. Izmantojot 38 mm (1 1/2") šļūteni, sūknis sasniedz maksimālo sūknēšanas jaudu.

### Šļūtenes pieslēgšana, izmantojot pieslēguma nipelī [Att. A2/A3/A4]:

Izmantojot pieslēguma nipelī ②, iespējams pieslēgt 25 mm (1")- un 38 mm (1 1/2")-šļūtenes.

Šļūtenes diametrs	25 mm (1")	38 mm (1 1/2")
GARDENA Šļūteņu žņaugu	preces nr. 7193	preces nr. 7195
Šļūteņu savienojums [Att. A2]	Nipeli neatvienot [Att. A3].	Nipeli atvienot pie ① [Att. A4].

25 mm (1")- un 38 mm (1 1/2") šļūtenes, kas tiek pievienotas ar pieslēguma nipeļa ② palīdzību, ir jānostiprina, piem., ar GARDENA šļūteņu žņaugu, preces nr. 7193/7195.

1. Pulksteņa rādītāju kustības virzienā ieskrūvējiet likumu sūkni.
2. Uzskrūvējiet pieslēguma nipelī ② uz sūkņa pieslēguma ①. (38 mm (1 1/2") šļūtenēm pirms tam pie ① rievā atvienojiet pieslēguma nipelī ②.)
3. Uzbīdīet šļūteni uz pieslēguma nipeļa ② un nostipriniet to, piemēram, ar GARDENA šļūteņu žņaugu, preces nr. 7193/7195.

### Pieslēgt šļūteni ar GARDENA pieslēgšanas sistēmas palīdzību [Att. A5]:

Mēs iesakām neizmantot mazāku šļūtenes diametru nekā 19 mm (3/4"), jo pretējā gadījumā iespējama sūknēšanas jaudas veiktspējas samazināšanās.

Šļūtenes diametrs	Sūkņa pieslēgums
19 mm (3/4")	GARDENA Sūkņa pieslēguma komplekts preces nr. 1752

→ Pievienojiet šļūteni, izmantojot atbilstīgo GARDENA spraudsistēmu.

## 3. LIETOŠANA



### BĪSTAMI! Miesas bojājums!

Miesas bojājumu gūšanas risks, izstrādājumam sākot darboties nekontrolēti.

→ Pirms izstrādājuma pieslēgšanas, iestatīšanas vai transportēšanas atslēdziet to no elektroenerģijas avota.

### Ūdens sūknēšana:

Ja sūkni nav iespējams iegremdēt ūdens rezervuārā izmantojot rokturi, vienmēr iegremdējiet sūkni akā vai ūdens rezervuārā, izmantojot trosi. Minimālo iegremdēšanas dziļumu, veicot pieņemšanu ekspluatācijā, skatīt 7. TEHNISKIE DATI.

Uzstādiēt sūkni tā, lai neturimi pilnībā vai daļēji nenobloķētu sūknēšanas pamatni ietilpdes atvērumus.

Dīķi uzstādiēt sūkni, piem., uz kļeģeļa.

1. Iegremdējiet sūkni ūdens rezervuārā.
2. Pievienojiet sūkni elektroenerģijas avotam.  
*Uzmanību! Sūknis uzreiz sāk darboties.*

### Automātiskais režīms ar pludiņslēdzi [Att. O1]:

Lai sūknis, nepieplūstot sūknējamajam šķidrumam, automātiski izslēgtos, pludiņslēdzim ③ ir jāspēj brīvi pārvietoties pa ūdens virsmu.

### Ieslēgšanas un izslēgšanas augstuma iestatīšana [Att. O1]:

Maksimālo ieslēgšanas augstumu un minimālo izslēgšanas augstumu (skat. 7. TEHNISKIE DATI) var regulēt, iespiežot pludiņa slēdža kabeli pludiņa slēdža fiksatorā.

- Jo īsāks ir kabelis starp pludiņslēdzi ③ un slēdža fiksatoru ④, jo mazāks ir ieslēgšanās augstums un jo lielāks ir izslēgšanās augstums.

→ Iespiediet pludiņslēdža kabeli ④ pludiņslēdža fiksatora atverē ④.



### UZMANĪBU!

Lai nodrošinātu pludiņa slēdža ieslēgšanu un izslēgšanu, kabeļa garumam starp pludiņa slēdzi un pludiņa slēdža fiksatoru jābūt vismaz 10 cm.

### Manuālais režīms [Att. O2]:

Sūknis darbojas bez pārtraukuma, jo pludiņslēdzis tiek pārvienots.

1. Bidiet pludiņslēdzi ③ ar kabeli lejup uz pludiņslēdža fiksatoru ④.
2. Stabili novietojiet sūkni ūdenī.
3. Pievienojiet sūkni elektroenerģijas avotam.  
*Uzmanību! Sūknis uzreiz sāk darboties.*

Min. atlikušā ūdens augstums (skat. 7. TEHNISKIE DATI) tiek sasniegts tikai, sūkni darbinot manuālajā režīmā, jo automātiskajā režīmā pludiņslēdzis sūkni jau priekšlaicīgi izslēdz.

## 4. APKOPE



### **BĪSTAMI! Miesas bojājums!**

Miesas bojājumu gūšanas risks, izstrādājumam sākot darboties nekontrolēti.

→ Pirms apkopes veikšanas izstrādājumam, atvienojiet to no elektroenerģijas avota.

### **Sūkņa izskalošana:**

Pēc hlora saturoša ūdens sūknēšanas sūknis ir jāizskalo.

1. Sūknējiet remdenu ūdeni (maks. 35 °C), tam pirms tam pievienojot maigus iedarbības tīrīšanas līdzekli (piemēram, trauku mazgāšanas līdzekli), līdz pārsūknētais ūdens kļūst caurspīdīgs.
2. Atliekas utilizējiet saskaņā ar Likumā par atkritumu apsaimniekošanu minētajām vadlīnijām.

## 5. UZGLABĀŠANA

### **Eksploatācijas pārtraukšana:**

Sūknis nav salizturīgs!

Uzglabājiet izstrādājumu bērniem nepieejamā vietā.

1. Atvienojiet sūknī no elektroenerģijas avota.
2. Apgrieziet sūknī otrādi, līdz no pārstāj tecēt ūdens.
3. Iztīriet sūknī (skat. 4. APKOPE).
4. Uzglabājiet sūknī sausā, slēgtā un no sala iedarbības aizsargātā vietā.

### **Izstrādājuma utilizācija:**

(saskaņā ar Direktīvu 2012/19/ES)



Izstrādājumu nedrīkst utilizēt kopā ar parastiem sadzīves atkritumiem. Tas ir utilizējams saskaņā ar vietējām vides aizsardzības prasībām.

### **SVARĪGI!**

→ Nododiet izstrādājumu utilizācijai tuvākajā atkritumu apsaimniekošanas uzņēmumā.

## 6. KĻŪDU NOVĒRŠANA



### **BĪSTAMI! Miesas bojājums!**

Miesas bojājumu gūšanas risks, izstrādājumam sākot darboties nekontrolēti.

→ Atvienojiet izstrādājumu no elektroenerģijas avota, pirms veicat izstrādājuma kļūdu novēršanu.

### **Sūkšanas pamatnes un darba rata tīrīšana [Att. T1]:**

1. Izskrūvējiet 4 krustiņa skrūves ④.
2. Noņemiet sūkšanas pamatni ⑤ no sūkņa.
3. Notīriet sūkšanas pamatni ⑤ un darba ratu ⑥ (šo apkopes darbu rezultātā garantija nezaudē spēku).
4. Uzstādiat sūkšanas pamatni ⑤ atpakaļ.
5. Atkārtoti ieskrūvējiet 4 krustiņa skrūves ④.

**Drošības nolūkos bojāta darba rata nomaiņu atļauts veikt tikai GARDENA servisā.**

Problēma	Iespējamais cēlonis	Risinājums
<b>Sūknis darbojas, bet nesūknē ūdeni</b>	Nav iespējama gaisa noplūde, jo spiediena vads ir slēgts (iespējams, ir pārlocījies spiediena šļūtene).	→ Atveriet spiediena vadu (piemēram, slēgvārsts, izvades ierīces).
	Gaisa uzkrājums sūkņa pamatnē.	→ Pagaidiet apm. 60 sekundes, līdz sūknis pats ir atgaisojies (vajadzības gadījumā sūknī vairākas reizes izslēdziet un izslēdziet).
	Iesūkšanas atvere ir aizsērējusi.	→ Ar ūdens strūklu iztīriet iesūkšanas atveri.
	Šļūtene ir aizsērējusi.	→ Iztīriet šļūtenes aizsērējumu.
	Darba rats ir bloķēts.	→ Notīriet sūkšanas pamatni un darba ratu.
	Ūdens līmenis sūkņa palaišanas brīdī ir zemāks par noteikto minimālo ūdens līmeni.	→ Iegremdējiet sūknī dziļāk.

Problēma	Iespējamais cēlonis	Risinājums
<b>Sūkņis nesāk darboties vai pēkšņi apstājas darbības laikā</b>	Termoslēdzis pārslodzes dēļ sūkni izslēdza.	→ Izīriet iesūkšanas atveri. Ievērojiet maksimālo šķidrums temperatūru (35 °C).
	Sūkņim nepieplūst strāva.	→ Pārbaudiet drošinātājus un elektrības spraudsavienojumus.
	Nostrādājis noplūdstrāvas aizsargslēdzis (RCD) (noplūdes strāva).	→ Atslēdziet sūkni no elektroenerģijas avota un griezieties GARDENA servisā.
<b>Sūkņis darbojas, bet sūknēšanas jauda pēkšņi samazinās</b>	Iesūkšanas atvere ir aizsērējusi.	→ Ar ūdens strūklu izīriet iesūkšanas atveri.
	Šļūtene ir aizsērējusi.	→ Izīriet šļūtenes aizsērējumu.



**NORĀDE:** Citu traucējumu rašanās gadījumā, lūdzu, griezieties tuvākajā **GARDENA servisa centrā**. Remontu drīkst veikt tikai **GARDENA servisa centros vai GARDENA autorizētos specializētajos veikalos**.

## 7. TEHNISKIE DATI

<i>legremdējama sūkņis</i>	Vienība	Vērtība (preces nr. 9000)	Vērtība (preces nr. 9001)	Vērtība (preces nr. 9007)	Vērtība (preces nr. 9008)
<b>Nominālā jauda</b>	W	250	400	250	400
<b>Tīkla spriegums</b>	V (AC)	230	230	230	230
<b>Tīkla frekvence</b>	Hz	50	50	50	50
<b>Maks. caurplūdums</b>	l/h	8200	8600	9200	10.500
<b>Maks. spiediens/ maks. sūknēšanas augstums</b>	bar / m	0,5 5,0	0,55 5,5	0,4 4,0	0,5 5,0
<b>Maks. iegremdēšanas dziļums</b>	m	6	6	6	6
<b>Min./maks. ieslēgšanās augstums</b>	cm	23 / 50	23 / 50	26 / 45	26 / 45
<b>Min./maks. izslēgšanās augstums</b>	cm	7 / 20	7 / 20	11 / 16	11 / 16
<b>Atlikušā ūdens augstums</b>	mm	4	4	25	25
<b>Notekūdens ar maks. daļiņu diametru</b>	mm	5	5	25	25
<b>Minimālais ūdens līmeni ekspluatācijas sākšanas brīdī (apm.)</b>	cm	25	25	50	50
<b>Pieslēguma kabelis</b>	m	10 (H05RN-F)	10 (H05RN-F)	10 (H05RN-F)	10 (H05RN-F)
<b>Svars bez kabeļa (apm.)</b>	kg	2,55	2,85	2,55	2,9
<b>Maks. materiāla temperatūra</b>	°C	35	35	35	35

## 8. PIEDERUMI/REZERVES DAĻAS

---

<b>GARDENA Šļūteņu žņaugš</b>	25 mm (1") šļūtenēm, izmantojot pieslēguma nipelī.	<b>preces nr. 7193</b>
<b>GARDENA Šļūteņu žņaugš</b>	38 mm (1 1/2") šļūtenēm, izmantojot pieslēguma nipelī.	<b>preces nr. 7195</b>
<b>GARDENA Sūkņa pieslēgumu komplekts</b>	19 mm (3/4") šļūtenēm, izmantojot GARDENA spraudsisistēmu.	<b>preces nr. 1752</b>
<b>GARDENA Plakanās šļūtenes komplekts</b>	10 m 38 mm (1 1/2") šļūtene ar šļūtenes apskavu.	<b>preces nr. 5005</b>

## 9. SERVISS

---

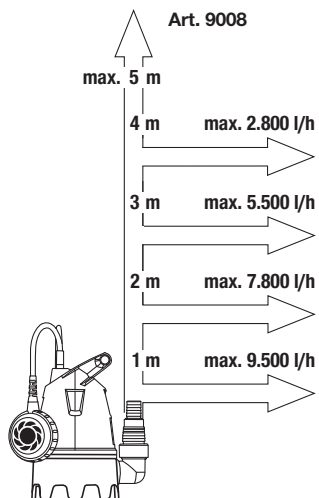
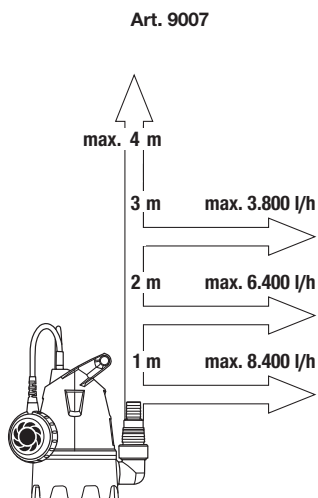
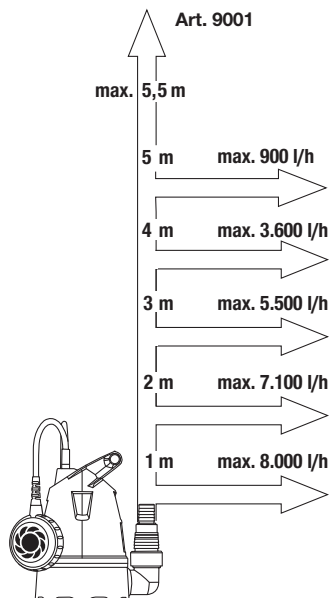
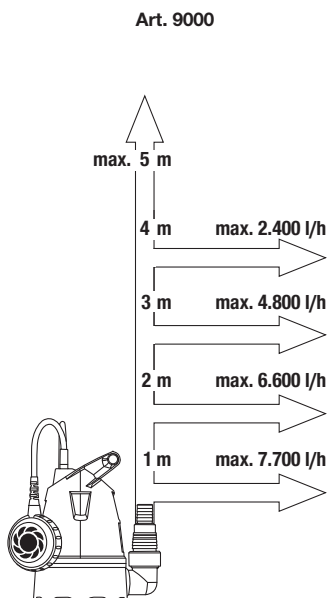
Mūsu apkopes dienesta pašreizējā kontaktinformācija ir atrodama tiešsaistē:

[www.gardena.com/contact](http://www.gardena.com/contact)

Performance characteristics  
 Charakterystyka pompy  
 Szivattyú-jelleggörbe  
 Karakteristika čerpadla  
 Charakteristiku čerpadla  
 Χαρακτηριστικό διάγραμμα

Характеристика насоса  
 Karakteristika črpalke  
 Obilježja pumpe  
 Karakteristika pumpe  
 Крива характеристики насоса  
 Caracteristică pompă

Pompa karakter eğrisi  
 Pompena karakteristika  
 Fuqia e pompës  
 Pumba karakteristik  
 Siurblio charakteristinė kreivė  
 Sūkņa raksturlīne





en	<b>EU Declaration of conformity</b> <b>Clear Water Submersible Pump / Dirty Water Submersible Pump</b> <b>Art. No.</b>	The undersigned hereby certifies as the authorized representative of the manufacturer, GARDENA Germany AB, c/o Husqvarna AB, 56182 Huskvarna, Jönköping, Sweden, that, when leaving our factory, the unit(s) indicated below is/are in accordance with the harmonised EU guidelines, EU standards of safety and product specific standards. This certificate becomes void if the unit(s) is/are modified without our approval. EU directives <sup>(1)</sup>   Harmonised standards <sup>(2)</sup>   Deposited documentation <sup>(3)</sup>   Year of CE marking <sup>(4)</sup>   Ulm, (date of issue) <sup>(5)</sup>
bg	<b>ЕС Декларация за съответствие</b> <b>Потопяема помпа за чиста вода / Потопяема помпа за мръсна вода</b> <b>№ на артикула</b>	Долуподписаният удостоверява като пълномощник на производителя GARDENA Germany AB, c/o Husqvarna AB, 56182 Huskvarna, Jönköping, Швеция, че по-долу описаният(ите) уред(и) във варианта на изпълнение пуснат от нас на пазара изпълнява/изпълняват изискванията на хармонизираните ЕС-директиви, ЕС-норми за безопасност и специфичните норми за продукцията. В случай на промяна на уреда(ите), която не е съгласувана с нас, тази декларация губи своята валидност. Директиви на ЕС <sup>(1)</sup>   Хармонизирани стандарти <sup>(2)</sup>   Внесени документи <sup>(3)</sup>   Година на CE маркировка <sup>(4)</sup>   Улм, (дата на издаване) <sup>(5)</sup>
cs	<b>EU prohlášení o shodě</b> <b>Ponorné čerpadlo na čistou vodu / Ponorné čerpadlo na špinavou vodu</b> <b>Č. Výrobku</b>	Podepsaná osoba zplnomocněná výrobcem GARDENA Germany AB, c/o Husqvarna AB, 56182 Huskvarna, Jönköping, Švédsko potvrzuje, že v následujícím uvedený(-é) přístroj(-e) v provedení námi uvedeném na trh splňuje/splňují požadavky směrnice EU, bezpečnostních norem EU a norem specifických pro výrobek. V případě změny přístroje(-ů), která s námi nebyla dohodnuta, ztrácí toto prohlášení svou platnost. Směrnice EU <sup>(1)</sup>   Harmonizované normy <sup>(2)</sup>   Uložena dokumentace <sup>(3)</sup>   Rok označení CE <sup>(4)</sup>   Ulm, (datum vydání) <sup>(5)</sup>
el	<b>Δήλωση συμμόρφωσης ΕΕ</b> <b>Υποβρύχια αντλία καθαρού νερού / Υποβρύχια αντλία λυμάτων</b> <b>Αρ. είδους</b>	Ο υπογεγραμμένος βεβαιώνει ως πληρεξούσιος του κατασκευαστή, της εταιρείας GARDENA Germany AB, c/o Husqvarna AB, 56182 Huskvarna, Jönköping, Σουηδία, ότι η (οι) παρακάτω αναφερόμενη(ες) συσκευή(ές) στην έκδοσή που τίθεται από εμάς σε κυκλοφορία πληροί/πληρούν τις απαιτήσεις των εναρμονισμένων οδηγιών της ΕΕ, προτύπων ασφαλείας της ΕΕ και των ειδικών για το προϊόν προτύπων. Σε περίπτωση τροποποίησης της (των) συσκευή(ών) χωρίς προηγούμενη συνεννόηση με την εταιρεία μας παύει η ισχύει η δήλωση. Οδηγίες ΕΕ <sup>(1)</sup>   Εναρμονισμένα πρότυπα <sup>(2)</sup>   Κατατεθείσα τεκμηρίωση <sup>(3)</sup>   Έτος σήμανσης CE <sup>(4)</sup>   Ulm, (ημερομηνία έκδοσης) <sup>(5)</sup>
et	<b>ELi vastavusdeklaratsioon</b> <b>Selge vee sukelpump / Reovee sukelpump</b> <b>Tootenr</b>	Allakirjutanu kinnitab tootja, GARDENA Germany AB, c/o Husqvarna AB, 56182 Huskvarna, Jönköping, Rootsi, poolt volitatud isikuna, et järgnevalt nimetatud seade (seadmed) täidab (täidavad) meie poolt turule toodud versiooni kujul harmoneeritud EL-i direktiivide, EL-i ohutusstandardite ja tootepõhiste standardite nõuded. Seadmel (seadmetel) meiega kooskõlastamata muudatuse tegemise korral kaotab käesolev deklaratsioon oma kehtivuse. EL-i direktiivid <sup>(1)</sup>   Harmoneeritud standardid <sup>(2)</sup>   Talletatud dokumentatsioon <sup>(3)</sup>   CE-märgise aasta <sup>(4)</sup>   Ulm, (väljaandmiskuupäev) <sup>(5)</sup>
hr	<b>EU izjava o sukladnosti</b> <b>Uronska pumpa za čistu vodu / Uronska pumpa za prljavu vodu</b> <b>Kat. br.</b>	Dolje potpisani kao opunomoćnik proizvođača, tvrtke GARDENA Germany AB, c/o Husqvarna AB, 56182 Huskvarna, Jönköping, Švedska, potvrđujemo da niže navedeni uređaj(i) odgovarajuće izvedbe koji/koje smo iznijeli na tržište ispunjavaju kriterije usklađenih direktiva EU i sigurnosnih standarda EU kao i standarda koji se tiču proizvoda. Ova izjava gubi valjanost u slučaju izmjena uređaja koje nisu prethodno ugovorene s nama. EU direktive <sup>(1)</sup>   Usklađene norme <sup>(2)</sup>   Prikupljena dokumentacija <sup>(3)</sup>   Godina CE oznake <sup>(4)</sup>   Ulm, (datum izdavanja) <sup>(5)</sup>
hu	<b>EU-megfelelőségi nyilatkozat</b> <b>Búvárszivattyú tiszta vízhez / Búvárszivattyú szennyezett vízhez</b> <b>Cikksz.</b>	Az alulírott, a GARDENA Germany AB, c/o Husqvarna AB, 56182 Huskvarna, Jönköping, Svédország megbízotti minőségében megerősíti, hogy az általunk alábbi kivitelben forgalomba hozott, lent nevezett eszköz(ök) megfelel(nek) az uniós irányelvekkel összhangba hozott nemzeti előírások követelményeinek, az EU biztonsági szabványainak és a konkrét termékre vonatkozó szabványoknak. Az eszköz(ök)nek velünk nem egyeztetett módosítása esetén ez a nyilatkozat érvényét veszti. EU irányelvek <sup>(1)</sup>   Harmonizált szabványok <sup>(2)</sup>   Benyújtott dokumentáció <sup>(3)</sup>   A CE-jelzés éve <sup>(4)</sup>   Ulm, (kiadás dátuma) <sup>(5)</sup>
it	<b>ES atitikties deklaracija</b> <b>Panardinamas švaraus vandens siurblys / Panardinamas purvino vandens siurblys</b> <b>Straipsnio nr.</b>	Pasirašantysis, kaip gamintojo, GARDENA Germany AB, c/o Husqvarna AB, 56182 Huskvarna, Jönköping, Švedija, įgaliotasis atstovas patvirtina, kad žemiau nurodyto(-ų) prietaiso(-ų) modeliai, kurie buvo pagaminti mūsų gamyklose, atitinka darniasias ES direktyvas, ES saugumo standartus ir specifinius gaminio standartus. Atlikus bet kokį prietaiso(-ų) pakeitimą, kuris nėra suderintas su mumis, ši deklaracija praranda galiojimą. ES direktyvos <sup>(1)</sup>   Darnieji standartai <sup>(2)</sup>   Pridėta dokumentacija <sup>(3)</sup>   CE žymėjimo metai <sup>(4)</sup>   Ulm, (išleidimo data) <sup>(5)</sup>
lv	<b>ES atbilstības deklarācija</b> <b>Izstr. nr.</b> <b>Izstr. nr.</b> <b>Izstr. nr.</b>	Zemā parakstjusies persona kā ražotāja, uzņēmuma GARDENA Germany AB, c/o Husqvarna AB, 56182 Huskvarna, Jönköping, Zviedrija, pilnvarotais pārstāvis apstiprina, ka tālāk norādītā(-s) ierīce(-s) izpildījumā, kādā mēs to (tās) esam laidūši tirgū, atbilst saskaņotajām ES direktīvām, ES drošības standartiem un konkrētajam produktam noteiktajiem standartiem. Ierīcē(-s) veicot ar mums nesaskaņotas izmaiņas, šī deklarācija zaudē savu spēku. ES direktīvas <sup>(1)</sup>   Saskaņotie standarti <sup>(2)</sup>   Dokumentācijas atrašanās vieta <sup>(3)</sup>   CE marķējuma gads <sup>(4)</sup>   Ulm, (izdošanas datums) <sup>(5)</sup>



pl	<b>Deklaracja zgodności UE</b> <b>Pompa zanurzeniowa do czystej wody / Pompa zanurzeniowa do brudnej wody</b>	<b>Nr artykułu</b>	Niżej podpisany potwierdza jako upoważniony przedstawiciel producenta, spółki GARDENA Germany AB, c/o Husqvarna AB, 56182 Huskvarna, Jönköping, Szwecja, że określone poniżej urządzenie/ -nia w wersji wprowadzonej przez nas do obrotu spełnia/-niają wymogi zharmonizowanych dyrektyw UE, norm bezpieczeństwa UE oraz norm dotyczących konkretnych produktów. Niniejsza deklaracja traci ważność w przypadku wprowadzania niezgodnych z nami zmian urządzenia/ń. Dyrektywy UE <sup>(1)</sup>   Normy zharmonizowane <sup>(2)</sup>   Zdeponowana dokumentacja <sup>(3)</sup>   Rok oznakowania CE <sup>(4)</sup>   Ulm, (data wydania) <sup>(5)</sup>
ro	<b>Declaratie de conformitate UE</b> <b>Pompă submersibilă pentru apă curată / Pompă submersibilă pentru apă murdară</b>	<b>Art. nr.</b>	Semnatarul, în calitate sa de împuternicit al producătorului GARDENA Germany AB, c/o Husqvarna AB, 56182 Huskvarna, Jönköping, Suedia, confirmă că aparatul (aparatele) descrise în cele ce urmează, în execuția pusă de noi pe piață îndeplinesc (îndeplinesc) cerințele directivelor armonizate UE, ale standardelor de siguranță UE și ale standardelor specifice produsului. În cazul modificării fără aprobarea noastră prealabilă a aparatului (aparaterelor), această declarație își pierde valabilitatea. Directivele UE <sup>(1)</sup>   Standardele armonizate <sup>(2)</sup>   Documentație depusă <sup>(3)</sup>   Anul marcatului CE <sup>(4)</sup>   Ulm, (data emiterii) <sup>(5)</sup>
ru	<b>Декларация соответствия ЕС</b> <b>Погружной насос для чистой воды / Погружной насос для грязной воды</b>	<b>Art. №</b>	Нижеподписавшийся официальный представитель компании GARDENA Germany AB, c/o Husqvarna AB, 56182 Huskvarna, Jönköping, Швеция, настоящим удостоверяет, что в момент отгрузки с завода указанные ниже изделия соответствуют согласованным директивам ЕС, стандартам безопасности ЕС и стандартам для конкретного изделия. Данный сертификат аннулируется в случае модификации изделия без нашего разрешения. Директивы ЕС <sup>(1)</sup>   Гармонизированные стандарты <sup>(2)</sup>   Размещенная документация <sup>(3)</sup>   Год маркировки CE <sup>(4)</sup>   Ульм, (дата публикации) <sup>(5)</sup>
sk	<b>EÚ vyhlásenie o zhode</b> <b>Ponorné čerpadlo na čistú vodu / Ponorné čerpadlo na znečistenú vodu</b>	<b>č. v.</b>	Dolu podpísaný potvrdzuje, ako splnomocnený zástupca výrobcu, GARDENA Germany AB, c/o Husqvarna AB, 56182 Huskvarna, Jönköping, Švédsko, že ďalej označené zariadenie/a vo vyhotovení uvedenom na trh spĺňa/jú požiadavky harmonizovaných smerníc EÚ, bezpečnostných štandardov EÚ a predpisov, špecifických pre dané výrobky. Pri zmene zariadenia/zariadení, ktorá nebola odsúhlasená našou spoločnosťou, stráca toto vyhlásenie platnosť. Smernice EÚ <sup>(1)</sup>   Harmonizované normy <sup>(2)</sup>   Uložená dokumentácia <sup>(3)</sup>   Rok udelenia označenia CE <sup>(4)</sup>   Ulm, (dátum vydania) <sup>(5)</sup>
sl	<b>EU Izjava o skladnosti</b> <b>Potopna črpalka za čisto vodo / Potopna črpalka za umazano vodo</b>	<b>Št. izd.</b>	Spodaj podpisani kot pooblaščenec proizvajalca GARDENA Germany AB, c/o Husqvarna AB, 56182 Huskvarna, Jönköping, Švedska, potrjuje, da v nadaljevanju označene naprave v izvedbi, v kakršni smo jih dali v promet, izpolnjujejo zahteve usklajenih direktiv EU, varnostnega standarda EU in standardov, ki veljajo za posamezne izdelke. V primeru spremembe naprave, ki ni usklajena z nami, ta izjava neha veljati. Direktive EU <sup>(1)</sup>   usklajeni standardi <sup>(2)</sup>   deponirana dokumentacija <sup>(3)</sup>   letnica oznake CE <sup>(4)</sup>   Ulm, (datum izdaje) <sup>(5)</sup>
sq	<b>Deklarata e përputhjes së BE-së</b> <b>Pompa zhytëse e ujit të pastër / Pompa zhyrëse e ujit të ndotur</b>	<b>Nr. i artikullit</b>	Nëpërmjet këtyh dokumenti, i nënshkruari vërteton si përfaqësuesi i autorizuar i prodhuesit, GARDENA Germany AB, c/o Husqvarna AB, 56182 Huskvarna, Jönköping, Sweden, se, në momentin e largimit nga fabrika, njësia/ njësitë e përcaktuara më poshtë është/ janë në përputhje me udhëzimet e harmonizuara të BE-së, standardet e sigurisë të BE-së dhe standardet specifike të produktit. Kjo certifikatë bëhet e pavlefshme nëse njësia/ njësitë modifikohet/modifikohen pa miratimin tonë. Direktivat e BE-së <sup>(1)</sup>   Standardet e harmonizuara <sup>(2)</sup>   Dokumentacioni i depozituar <sup>(3)</sup>   Viti i markimit CE <sup>(4)</sup>   Ulm, (data e lëshimit) <sup>(5)</sup>
sr	<b>Deklaracija EU o usaglašenosti</b> <b>Potopna pumpa za čistu vodu / Potopna pumpa za prljavu vodu</b>	<b>Br. stavke</b>	Dole potpisani ovim potvrđuje kao ovlašćeni predstavnik proizvođača kompanije GARDENA Germany AB, c/o Husqvarna AB, 56182 Huskvarna, Jönköping, ovim potvrđuje da dole navedeni uređaji u obliku plasiranom na tržište ispunjavaju zahteve harmonizovanih EU smernica, EU bezbednosnih standarda i standarda za određene proizvode. Ova izjava postaje ništavna u slučaju izmene uređaja koje nismo odobrili. EU direktive <sup>(1)</sup>   Usklađeni standardi <sup>(2)</sup>   Predata dokumentacija <sup>(3)</sup>   Godina CE znaka <sup>(4)</sup>   Ulm, (datum izdavanja) <sup>(5)</sup>
tr	<b>AB uygunluk beyanı</b> <b>Berrak su dalgıç pompası / Kirli su dalgıç pompası</b>	<b>Parça No.</b>	Aşağıda imzası bulunan GARDENA Germany AB, c/o Husqvarna AB, 56182 Huskvarna, Jönköping, İsveç üretici yetkilisi, aşağıda belirtilen ünitelerin fabrikamızdan ayrılmış uyumlu hale getirilmiş AB yönergeleri, AB güvenlik standartları ve ürüne özel standartlara uygun olduğunu onaylamaktadır. Üniteler, onayımız olmadan değiştirilirse bu sertifikayı geçersizliği yitirir. AB direktifleri <sup>(1)</sup>   Uyumlştırılmış standartlar <sup>(2)</sup>   Gönderilen belgeler <sup>(3)</sup>   CE işareti yılı <sup>(4)</sup>   Ulm, (yayın tarihi) <sup>(5)</sup>
uk	<b>Декларація відповідності ЄС</b> <b>Занурювальний насос для чистої води / Занурювальний насос для брудної води</b>	<b>Art. №</b>	Особи, що підписали цей документ як представники виробника, компанії GARDENA Germany AB, c/o Husqvarna AB, 56182 Huskvarna, Jönköping, Швеція, цим документом затверджує, що на момент виходу з нашого заводу виробі, що зазначені нижче, відповідали узгодженим вказівкам ЄС, стандартам ЄС із безпеки та спеціальним стандартам, застосовним до цих виробів. У разі внесення не затверджених нами змін до виробів, цей сертифікат анулюється. Директиви ЄС <sup>(1)</sup>   Гармонізовані стандарти <sup>(2)</sup>   Депонована документація <sup>(3)</sup>   Рік маркування CE <sup>(4)</sup>   Ульм, (дата випуску) <sup>(5)</sup>



<b>8200</b>	<b>9000</b>	(1) 2006/42/EG	(2) EN ISO 12100
<b>8600</b>	<b>9001</b>	2014/30/EU	EN 60335-1
<b>9200</b>	<b>9007</b>	2011/65/EU	EN IEC 60335-2-41
<b>10500</b>	<b>9008</b>		EN IEC 55014-1
			EN IEC 55014-2
			EN IEC 63000
		(3) GARDENA Manufacturing GmbH Technische Dokumentation, M. Jäger Hans-Lorenser-Str. 40 89079 Ulm/Germany	(4) 2019/ 2020
			(5) 29.04.2024
		<b>Martin Lienhard</b> Senior Vice President Business Unit Electric and Battery	



<b>Declaration of Conformity</b>	
The manufacturer, GARDENA Germany AB, c/o Husqvarna AB, 56182 Huskvarna, Jönköping, Sweden, hereby certifies, when leaving our factory, the unit(s) indicated below is/are in accordance with the UK Regulations, designated standards of safety and product specific designated standards. This certificate becomes void if the units are modified without our approval.	
Description of the product:	<b>Clear Water Submersible Pump / Dirty Water Submersible Pump</b>
Type:	<b>8200/8600 9200/10500</b>
Article number:	<b>9000/9001 9007/9008</b>
UK regulations:	S.I. 2008/1597 S.I. 2016/1091 S.I. 2012/3032
Designated standards:	EN ISO 12100 EN 60335-1 EN IEC 60335-2-41 EN IEC 55014-1 EN IEC 55014-2 EN IEC 63000
Deposited documentation:	GARDENA Manufacturing GmbH Technische Dokumentation M. Jäger Hans-Lorenser-Str. 40 D-89079 Ulm
UK Importer: Authorised representative:	Husqvarna UK Limited Preston Road Aycliffe County Durham UK DL5 6UP
Ulm, 29.04.2024	 <b>Martin Lienhard</b> Senior Vice President Business Unit Electric and Battery



**Deutschland / Germany**

GARDENA Manufacturing GmbH  
Central Service  
Hans-Lorenser-Straße 40  
D-89079 Ulm  
Produktfragen:  
(+49) 731 490-123  
Reparaturen:  
(+49) 731 490-290  
www.gardena.com/de/kontakt

**Albania**

KRAFT SHPK  
Autostrada Tirane-Durres  
Km 7  
1051 Tirane  
Phone: (+355) 69 877 7821  
info@kraft.al

**Argentina**

ROBERTO C. RUMBO S.R.L.  
Predio Norlog  
Lote 7  
Benavidez, ZC: 1621  
Buenos Aires  
Phone: (+54) 11 5263-7862  
ventas@rumbosrl.com.ar

**Armenia**

AES Systems LLC  
Marshal Babajanyan Avenue 56/2  
0022 Yerevan  
Phone: (+374) 60 651 651  
masisohanyan@icloud.com

**Australia**

Husqvarna Australia Pty. Ltd.  
Locked Bag 5  
Central Coast BC  
NSW 2252  
Phone: (+61) (0) 2 4352 7400  
customer.service@husqvarna.com.au

**Austria / Österreich**

Husqvarna Austria GmbH  
Industriezeile 36  
4010 Linz  
Tel.: (+43) 732 77 01 01-485  
www.gardena.com/at/service/beratung/  
kontakt/

**Azerbaijan**

Progres Xüsusi Firması  
Aliyar Aliyev 212, Bakı, Azərbaycan  
Sales: +994 70 326 07 14  
AfterSales: +994 77 326 07 14  
www.progress-garden.az  
info@progress-garden.az

**Bahrain**

M.H. Al-Mahroos  
BUILDING 208, BLOCK 356,  
ROAD 328  
Salhiya  
Phone: +973 1740 8090  
almahroos@almahroos.com

**Belarus / Беларусь**

ООО «Мастер Гарден»  
220118, г. Минск,  
улица Шаранговича, дом 7а  
Тел. (+375) 17 257 00 33  
mg@mastergarden.by

**Belgium**

Husqvarna Belgium nv  
Gardena Division  
Leuvensesteenweg 542  
Planet II E  
1930 Zaventem  
België

**Bosnia / Herzegovina**

Silk Trade d.o.o.  
Postovna Zona Vila Br. 20  
Info: (+387) 61 165 593  
info@silkttrade.com.ba

**Brazil**

Nordtech Maquinas e Motores Ltda.  
Avenida Juscelino Kubitschek  
de Oliveira Curitiba  
3003 Brazil  
Phone: (+55) 41 3595-9600  
contato@nordtech.com.br  
www.nordtech.com.br

**Bulgaria**

AGROLAND България АД  
бул. 8 Декември, № 13  
Офис 5  
1700 Студентски град  
София  
Тел.: (+359) 24 66 6910  
info@agroland.eu

**Canada / USA**

GARDENA Canada Ltd.  
125 Edgeware Road  
Unit 15 A  
Brampton L6Y 0P5  
ON, Canada  
Phone: (+1) 905 792 93 30  
gardena.customerservice@  
husqvarnagroup.com

**Chile**

REPRESENTACIONES JCE S.A.  
AV. DEL VALLE NORTE 857 PISO 4  
HUECHURABA, SANTIAGO, CHILE  
Phone: (+56) 2 2414 2600  
contacto@jce.cl

**China**

办公室地址:  
上海市长宁区金钟路788号荟聚办  
公楼D栋7楼03-05单元  
Office Add:  
Unit3-5, 7F, Livat Tower D, No.788, Jin  
Zhong Rd., Chang Ning Dist., Shanghai,  
PRC 200335

**Colombia**

Equipos de Toyama Colombia SAS  
Cra. 68 D No 25 B 86 Of. 618  
Edificio Torre Central  
Bogotá  
Phone: +57 (1) 703 95 20 /  
+57 (1) 703 95 22  
servicioalcliente@toyama.com.co  
www.toyama.com.co

**Costa Rica**

Exim CIA Costa Rica  
Calle 25A, B°. Montealegre  
Zapote  
San José  
Costa Rica  
Phone: (+506) 2221-5654 /  
(+506) 2221-5659  
eximcostarica@gmail.com

**Croatia**

Husqvarna Austria GmbH  
Industriezeile 36  
4010 Linz  
Phone: (+43) 732 77 01 01-485  
service.gardena@husqvarnagroup.com

**Cyprus**

Pantelis Papadopoulos S.A.  
92 Athinou Avenue  
Athens  
10442 Greece  
Phone: (+30) 21 0519 3100  
info@papadopoulos.com.gr

**Czech Republic**

Gardena  
Service Center Vrbo  
c/o Husqvarna  
Manufacturing CZ s.r.o.  
Jesenická 14b  
79326 Vrbo pod Prádemem  
Phone: 800 100 425  
servis@gardena.cz

**Denmark**

GARDENA DANMARK  
Lejrvej 19, st.  
3500 Værløse  
Tlf.: (+45) 70 26 47 70  
gardena@husqvarnagroup.com  
www.gardena.com/dk

**Dominican Republic**

BOSQUESA, S.R.L.  
Carretera Santiago Licey  
Km. 5 ½  
Esquina Copal II.  
Santiago De Los Caballeros  
51000 Dominican Republic  
Phone: (+1) 809-562-0476  
contacto@bosquesa.com.do

**Egypt**

Universal Agencies Co  
26, Abdel Hamid Lofly St.  
Giza  
Phone: (+20) 3 761 57 57

**Estonia**

Husqvarna Eesti OÜ  
Valdeku 132  
EE-11216 Tallinn  
info@gardena.ee

**Finland**

Oy Husqvarna Ab  
Juurakotie 5 B 2  
01510 Vantaa  
www.gardena.fi

**France**

Husqvarna France  
9/11 Allée des pierres mayettes  
92635 Gennevilliers Cedex  
France  
http://www.gardena.com/fr  
N° AZUR: 0 810 00 78 23  
(Prix d'un appel local)

**Georgia**

Transporter LLC  
#70, Bellashvili street  
0159 Tbilisi, Georgia  
Number: (+995) 322 14 71 71  
info@transporter.com.ge  
www.transporter.com.ge

**Service Address and Importer to Great Britain**

Husqvarna UK Ltd  
Preston Road  
Aycliffe Industrial Park  
Newton Aycliffe  
County Durham  
DL5 6UP  
Phone: (+44) (0) 344 844 4558  
info.gardena@husqvarna.co.uk

**Greece**

Π.ΠΑΠΑΔΟΠΟΥΛΟΣ ΑΕΒΕ  
Ασσογ. Αθηνών 92  
Αθήνα  
Τ.Κ.104 42  
Ελλάδα  
Τηλ. (+30) 210 5193 100  
info@papadopoulos.com.gr

**Hong Kong**

Tung Tai Company  
151-153 Hoi Bun Road  
Kwun Tong, Kowloon  
Hong Kong  
Phone: (+852) 3583 1662  
admin@tungtaico.com

**Hungary**

Husqvarna Magyarország Kft.  
Ezred u. 1 – 3  
1044 Budapest  
Phone: (+36) 1 251-4161  
vezszolgalat.husqvarna@  
husqvarnagroup.com

**Iceland**

BYKO ehf.  
Skemmuvegi 2a  
200 Kópavogur  
Phone: (+354) 515 4000  
byko@byko.is

**MHG Verslun ehf**

Vikurhvarf 8  
203 Kópavogur  
Phone: (+354) 544 4656

**India**

B K RAMAN AND CO  
Plot No. 185, Industrial Area,  
Phase-2, Ram Darbar  
Chandigarh  
160002 India  
Phone: (+91) 98140 06530  
raman@jaganhardware.com

**Iraq**

Alshiemal Alakhdar Company  
Al-Faysalieah, Near Estate Bank  
Mosul  
Phone: (+964) 78 18 46 75

**Ireland**

Liffey Distributors Ltd.  
309 NW Business Park, Ballycoolen  
15 Dublin  
Phone: (+353) 1 824 2600  
info@liffeyd.com

**Israel**

HAGARIN LTD.  
2 Nahal Harif St.  
8122201 Yavne  
internet@hagarin.co.il  
Phone: (+972) 8-932-0400

**Italy**

Husqvarna Italia S.p.A.  
Centro Direzionale Planum  
Via del Lavoro 2, Scala B  
22036 ERBA (CO)  
Phone: (+39) (0) 31 4147700  
assistenza.italia@it.husqvarna.com

**Japan**

Husqvarna Zenoh Co. Ltd. Japan  
1-9 Minamidai, Kawagoe  
350-1165 Saitama  
Japan  
gardena-jp@husqvarnagroup.com

**Kazakhstan**

ТОО "Ламед"  
Russian  
Адрес: Казакстан, г. Алматы,  
ул. Тажмабаевой, 155/1  
Тел.: (+7) (727) 355 64 00 /  
(+7) (700) 355 64 00  
lamed@lamed.kz

**Kazakh**

Мекен-жайы: Казакстан,  
Алматы қ.,  
көш. Тажмабаевой, 155/1  
Тел.: (+7) (727) 355 64 00 /  
(+7) (700) 355 64 00  
lamed@lamed.kz

**Kuwait**

Palms Agro Production Co  
Al Rai- Fourth Ring Road – Block 56.  
P.O Box: 1976 Safat  
13020 Al-Rai  
Phone: (+965) 24 73 07 45  
info@palms-kw.com

**Kyrgyzstan**

ОО50 Alye Maki  
Av. Molodaya Guardia 83  
720014 Bishkek  
Phone: (+996) 312 322115

**Latvia**

Husqvarna Latvija SIA  
Ulbrokas 19A  
LV-1021 Riga  
info@gardena.lv

**Lebanon**

Technomec  
Safra Highway (Beirut – Tripoli) Center  
622 Mezher Bldg.  
P.O.Box 215  
Jounieh  
Phone: (+961) 9 853527 /  
(+961) 3 855481  
tecnomec@idm.net.lb

**Lithuania**

UAB Husqvarna Lietuva  
Atleties pl. 77C  
LT-52104 Kaunas  
info@gardena.lt

**Luxembourg**

Magasins Jules Neuberg  
39, rue Jacques Stas  
Luxembourg- Gasperich 2549  
Case Postale No. 12  
Luxembourg 2010  
Phone: (+352) 40 14 01  
api@neuberg.lu

**Malaysia**

Glomedic International Sdn Bhd  
Jalan Ruang No. 30  
Shah Alam, Selangor  
40150 Malaysia  
Phone: (+60) 3-7734 7997  
oase@glomedic.com.my

**Malta**

I.V. Portelli & Sons Ltd.  
85, 86, Triq San Pawl  
Rabat - RBT 1240  
Phone: (+356) 2145 4289

**Mauritius**

Espace Maison Ltée  
La City Trianon, St Jean  
Quatre Bornes  
Phone: (+230) 460 85 85  
digital@espacemaison.mu

**Mexico**

AFOSA  
Av. Lopez Mateos Sur # 5019  
Col. La Calma 45070  
Zapopan, Jalisco, Mexico  
Phone: (+373) 22 857 1344  
isolis@afosa.com.mx

**Moldova**

Convel SRL  
Republica Moldova,  
mun. Chisinau,  
sos. Muncesti 284  
Phone: (+373) 22 857 126  
www.convel.md

**Mongolia**

Soyolj Gardening Shop  
Narnii Rd  
Ulaanbaatar  
14230 Mongolia  
Phone: +976 7777 5080  
soyolj@magicnet.mn

**Morocco**

Proekp  
64 Rue de la Participation  
Casablanca-Roches Noires  
20303 Morocco  
Phone: (+212) 661342107  
hicham.hafani@proekp.ma

**Netherlands**

Husqvarna Nederland B.V.  
GARDENA Division  
Postbus 50131  
1305 AC ALMERE  
Phone: (+31) 36 521 00 10  
info@gardena.nl

**Neth. Antilles**

Jonka Enterprises N.V.  
Sta. Rosa Weg 196  
P.O. Box 8200  
Curaçao  
Phone: (+599) 9 767 66 55  
info@jonka.com

**New Zealand**

Husqvarna New Zealand Ltd.  
PO Box 76-437  
Manukau City 2241  
Phone: (+64) (0) 9 9202410  
support.nz@husqvarna.co.nz

**North Macedonia**

Sinpeks d.o.o.  
Ul. Kravarski Pat Bb  
7000 Bitola  
Phone: (+389) 47 20 85 00  
sinpeks@mt.net.mk

**Norway**

Husqvarna Norge AS  
Gardena Division  
Trøskeneveien 36  
1708 Sarpsborg  
info@gardena.no

**Northern Cyprus**

Mediterranean Home & Garden  
No 150 Alsancak, Karaöğlanoğlu  
Caddesi Girne  
Phone: (+90) 392 821 33 80  
info@medgardener.com

**Oman**

General Development Services  
PO 1475, PC - 111  
Seeb  
111 Oman  
Phone: 96824582816  
gdsoman@gdsoman.com

**Paraguay**

Agrofield SRL  
AV. CHOFERES DEL CHACO  
1449 C/25 DE MAYO  
Asunción  
Phone: (+595) 21 608 656  
consultas@agrofield.com.py

**Peru**

Sierras y Herramientas Forestal SAC  
Av. Las Gaviotas 833, Chorrillos  
Lima  
Phone: (+51) 1 2 52 02 52  
supervisorventas1@siersac.com  
www.siersac.com

**Philippines**

Royal Dragon Traders Inc  
10 Linaw Street, Barangay  
Saint Peter Quezon City  
1114 Philippines  
Phone: (+63) 2 7426893  
aida.fernandez@rdti.com.ph

**Poland**

Gardena Service Center Vrbno  
c/o Husqvarna Manufacturing CZ  
s.r.o. Jesenícká 146  
79326 Vrbno pod Prádemem  
Czech Republic  
Phone: (22) 336 78 90  
servis@gardena.pl

**Portugal**

Husqvarna Portugal, SA  
Lagoa - Albarraque  
2635 - 595 Rio de Mouro  
Phone: (+351) 21 922 85 30  
Fax: (+351) 21 922 85 36  
info@gardena.pt

**Romania**

Madex International Srl  
Soseaua Odaii 117 - 123,  
RO 013603 Bucuresti, S1  
Phone: (+40) 21 352 7603  
madex@ines.ro

**Russia / Россия**

000 „Хускварна“  
141400, Московская обл.,  
г. Химки,  
улица Ленинградская,  
владение 39, стр.6  
Бизнес Центр  
„Химки Бизнес Парк“,  
помещение 0802\_04  
http://www.gardena.ru

**Saudi Arabia**

SACO  
Takhassusi Main Road  
P.O. Box: 86387  
Riyadh 12863  
40011 Saudi Arabia  
Phone: (966) 11 482 8877  
webmaster@saco-ksa.com

Al Futtaim Pioneer Trading  
5147 Al Farooq Dist.  
Riyadh 7991  
Phone: (+971) 4 206 6700  
Owais.Khan@alfuttaim.com

**Serbia**

Damel d.o.o.  
Slobodna Đurića 21  
11000 Belgrade  
Phone: (+381) 11 409 57 12  
office@domel.rs

**Singapore**

Hy-Ray PRIVATE LIMITED  
40 Jalan Pemimpin  
#02-08 Tat Ann Building  
Singapore 577185  
Phone: (+65) 6253 2277  
info@hyray.com.sg

**Slovak Republic**

Gardena  
Service Center Vrbno  
c/o Husqvarna  
Manufacturing CZ s.r.o.  
Jesenická 146  
79326 Vrbno pod Prádemem  
Phone: 0800 154044  
servis@gardena.sk

**Slovenia**

Husqvarna Austria GmbH  
Industriezeile 36  
4010 Linz  
Phone: (+43) 732 77 01 01-485  
service.gardena@husqvarnagroup.com

**South Africa**

Husqvarna South Africa (Pty) Ltd  
Lifestyle Business Park –  
Ground Floor Block A Cnr  
Beyers Naude Drive and Ysterhout  
Road Randpark Ridge, Randburg  
Phone: (+27) 10 015 5750  
service@gardena.co.za

**South Korea**

Kyung Jin Trading Co., Ltd  
8F Haengbok Building, 210,  
Gangnam-Daero 137-891 Seoul  
Phone: (+82) 2 574 6300  
kjh@kjh.co.kr

**Spain**

Husqvarna España S.A.  
Calle de Rivas nº 10  
28052 Madrid  
Phone: (+34) 91 708 05 00  
atencioncliente@gardena.es

**Sri Lanka**

Hunter & Company Ltd.  
130 Front Street  
Colombo  
Phone: 94-11 232 81 71  
hunters@eureka.lk

**Suriname**

Deto Handelmaatschappij N.V.  
Kernkampweg 72-74  
P.O. Box: 12782  
Paramaribo  
Suriname  
Phone: (+597) 43 80 50  
info@deto.sr

**Sweden**

Husqvarna AB /  
GARDENA Sverige  
Drottninggatan 2  
561 82 Huskvarna  
Sverige  
Phone: (+46) (0) 36-14 60 02  
service@gardena.se

**Switzerland / Schweiz**

Husqvarna Schweiz AG  
Consumer Products  
Industriestrasse 10  
5506 Mägenwil  
Phone: (+41) (0) 62 887 37 90  
info@gardena.ch

**Taiwan**

Hong Ying Trading Co., Ltd.  
No. 46 Wu-Kun-Wu Road  
New Taipei City  
Phone: (+886) (02) 2298 1486  
salesgd1@frfriends.com.tw

**Tajikistan**

ARIERS JV LLC  
39, Ayni Street, 734024  
Dushanbe, Tajikistan

**Thailand**

Spica Co. Ltd  
243/2 Onnuh Rd., Prawat  
Bangkok  
10250 Thailand  
Phone: (+66) (0)2721 7373  
surapong@spica-siam.com

**Tunisia**

Société du matériel agricole et maritime  
Nouveau port de peche de Stax Bp 33  
Stax 3065  
Phone: (+216) 98 419047/  
(+216) 74 497614  
commercial@smantunisia.com

**Türkiye**

Dost Bahçe  
Yunus Mah. Adil Sk. No:3  
Kartal  
Istanbul  
34873 Türkiye  
Phone: (+90) 216 389 39 39

**Turkmenistan**

I.E. Orazmuhammedov Nurmuhammet  
80 Ataturk,  
BERKARAR Shopping Center,  
Ground floor, A77b,  
Ashgabat 744000  
TURKMENISTAN  
Phone: (+993) 12 468859  
Mob: (+993) 62 222887  
info@jayhymat.com /  
bekgiyev@jayhymat.com  
www.jayhymat.com

**UAE**

Al-Futtaim ACE Company  
L.L.C Building, Al Rebat Street  
Festival City, Dubai  
7880 UAE  
Phone: (+971) 4 206 6700  
ace@alfuttaim.ae

**Ukraine / Україна**

AT «Анцест»  
вул Петропавлівська 4  
08130, Київська обл.  
Києво-Святошинський р-н. с.  
Петропавлівська Борщаівка Україна  
Тел.: (+38) 0 800 503 000

**Uruguay**

FELI SA  
Entre Rios 1083  
11800 Montevideo  
Phone: (+598) 22 03 18 44  
info@telisa.com.uy

**Uzbekistan**

AGROHOUSE MChJ  
O'zbekiston, 111112  
Toshkent viloyati  
Toshkent tumani  
Hasanboy QFY, THAY yoqasida  
Phone: (+998)-93-5414141 /  
(+998)-71-2096868  
info@agro.house  
www.agro.house

**Vietnam**

Vision Joint Stock Company  
8T1-17, Khu biêt thũ –  
Khu Đoan ngoai giao Nguyen Xuan  
Khoat  
Xuan Dinh, Bac Tu Liem  
Hanoi, Vietnam  
Phone: (+8424)-38462833/34  
quynhnm@visionjsc.com.vn

**Zimbabwe**

Cutting Edge  
159 Citroen Rd, Msasa  
Harare  
Phone: (+263) 8677 008685  
sales@cuttingedge.co.zw

9000-29.960.03.0325  
© GARDENA Manufacturing GmbH  
D-89079 Ulm  
http://www.gardena.com